

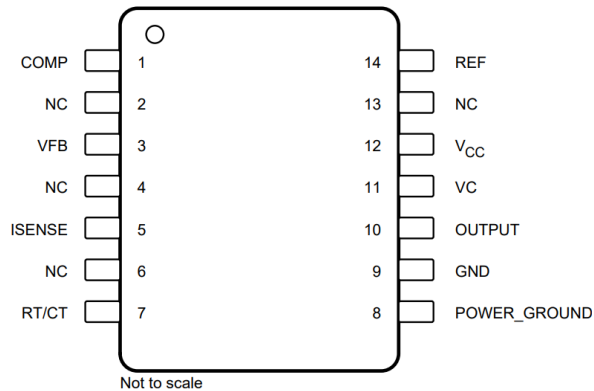
## TLx84x 电流模式 PWM 控制器

### 1 特性

- 针对离线和 DC-DC 转换器进行了优化
- 低启动电流 (< 1mA)
- 自动前馈补偿
- 逐脉冲电流限制
- 增强型负载响应特性
- 带有迟滞的欠压锁定
- 双脉冲抑制
- 高电流图腾柱输出
- 内部调整的带隙参考
- 500kHz 工作频率
- 具有低输出电阻的误差放大器
- 设计为可与 UC2842 和 UC3842 系列互换

### 2 应用

- 任意极性的开关稳压器
- 变压器耦合直流/直流转换器



**D 封装 14 引脚 SOIC 顶视图**

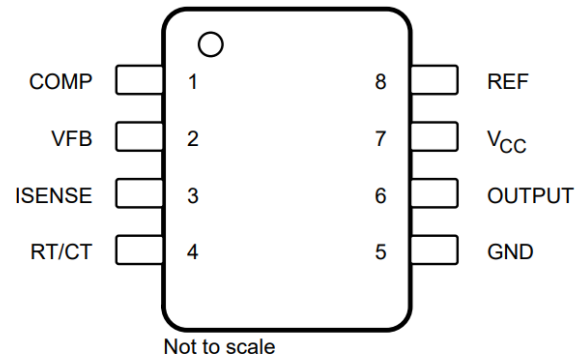
### 3 说明

TL284x 和 TL384x 系列控制集成电路提供了实现离线式或直流/直流固定频率电流模式控制方案所需的特性，并使用了最少的外部元件。一些内部实现的电路包括欠压锁定 (UVLO)，其启动电流小于 1mA，以及针对误差放大器输入端的精度进行修整的精密基准。其他内部电路包括用于确保锁存操作的逻辑、还提供电流限制控制的脉宽调制 (PWM) 比较器以及设计用于拉取或灌入高峰值电流的图腾柱输出级。当处于关闭状态时，适合用于驱动 N 沟道 MOSFET 的输出级为低电平。

#### 封装信息

| 器件型号   | 封装 <sup>(1)</sup> | 封装尺寸 <sup>(2)</sup> |
|--------|-------------------|---------------------|
| TLx84x | D (SOIC, 8)       | 4.90mm × 6.00mm     |
|        | D (SOIC, 14)      | 8.65mm × 6.00mm     |
|        | P (PDIP, 8)       | 9.81mm × 9.43mm     |

- (1) 如需了解所有可用封装，请参阅数据表末尾的可订购产品附录。
- (2) 封装尺寸 (长 × 宽) 为标称值，并包括引脚 (如适用)。



NC — No internal connection

**D 或 P 封装 8 引脚 SOIC 或 PDIP 顶视图**



## Table of Contents

|  |   |  |    |
|--|---|--|----|
| <b>1 特性</b> .....                              | 1 | 6.4 Device Functional Modes.....                                     | 9  |
| <b>2 应用</b> .....                              | 1 | <b>7 Application and Implementation</b> .....                        | 10 |
| <b>3 说明</b> .....                              | 1 | 7.1 Typical Application.....   | 10 |
| <b>4 Pin Configuration and Functions</b> ..... | 3 | 7.2 Power Supply Recommendations.....                                | 12 |
| <b>5 Specifications</b> .....                  | 4 | 7.3 Layout.....  | 12 |
| 5.1 Absolute Maximum Ratings.....              | 4 | <b>8 Device and Documentation Support</b> .....                      | 14 |
| 5.2 ESD Ratings.....                           | 4 | 8.1 接收文档更新通知.....  | 14 |
| 5.3 Recommended Operating Conditions.....      | 4 | 8.2 支持资源.....  | 14 |
| 5.4 Thermal Information.....                   | 4 | 8.3 Trademarks.....  | 14 |
| 5.5 Electrical Characteristics.....            | 5 | 8.4 静电放电警告.....  | 14 |
| 5.6 Typical Characteristics.....               | 6 | 8.5 术语表.....   | 14 |
| <b>6 Detailed Description</b> .....            | 8 | <b>9 Revision History</b> .....                                      | 14 |
| 6.1 Overview.....                              | 8 | <b>10 Mechanical, Packaging, and Orderable<br/>Information</b> ..... | 15 |
| 6.2 Functional Block Diagram.....              | 8 |  |    |
| 6.3 Feature Description.....                   | 8 |  |    |

## 4 Pin Configuration and Functions

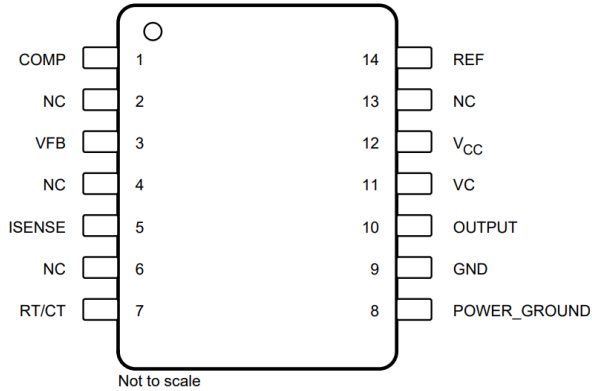
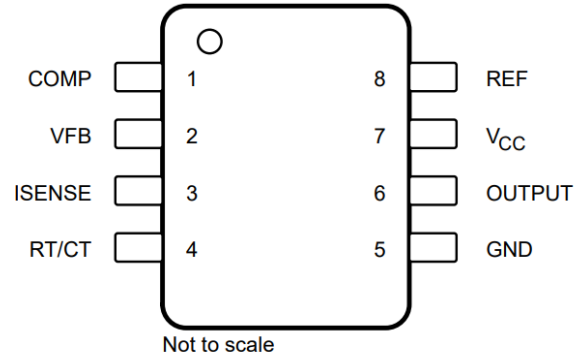


图 4-1. D Package 14-Pin SOIC Top View



NC — No internal connection

图 4-2. D or P Package 8-Pin SOIC or PDIP Top View

表 4-1. Pin Functions

| NAME            | PIN         |        | TYPE <sup>(1)</sup> | DESCRIPTION                         |
|-----------------|-------------|--------|---------------------|-------------------------------------|
|                 | D           | D or P |                     |                                     |
| COMP            | 1           | 1      | I/O                 | Error amplifier compensation pin    |
| GND             | 9           | 5      | —                   | Device power supply ground terminal |
| ISENSE          | 5           | 3      | I                   | Current sense comparator input      |
| NC              | 2, 4, 6, 13 | —      | —                   | Do not connect                      |
| OUTPUT          | 10          | 6      | O                   | PWM Output                          |
| POWER GROUND    | 8           | —      | —                   | Output PWM ground terminal          |
| REF             | 14          | 8      | O                   | Oscillator voltage reference        |
| RT/CT           | 7           | 4      | I/O                 | Oscillator RC input                 |
| VC              | 11          | —      | —                   | Output PWM positive voltage supply  |
| V <sub>CC</sub> | 12          | 7      | —                   | Device positive voltage supply      |
| VFB             | 3           | 2      | I                   | Error amplifier input               |

(1) I = Input; O = Output; I/O = Input or Output

## 5 Specifications

### 5.1 Absolute Maximum Ratings

over operating free-air temperature range (unless otherwise noted)<sup>(1)</sup>

|                  |  | MIN           | MAX | UNIT |
|------------------|--|---------------|-----|------|
| V <sub>CC</sub>  | Supply Voltage <sup>(2)</sup>              | Self limiting |     | —    |
| V <sub>I</sub>   | Analog input voltage range, VFB and ISENSE | - 0.3         | 6.3 | V    |
| V <sub>O</sub>   | Output Voltage                             |               | 35  | V    |
| V <sub>I</sub>   | Input Voltage, VC and D Package only       |               | 35  | V    |
| I <sub>CC</sub>  | Supply current                             |               | 30  | mA   |
| I <sub>O</sub>   | Output current                             |               | ±1  | A    |
|                  | error amplifier output sink current        |               | 10  | mA   |
| T <sub>J</sub>   | Virtual junction temperature               |               | 150 | °C   |
|                  | Output energy (capacitive load)            |               | 5   | μJ   |
| T <sub>stg</sub> | Storage temperature                        | - 65          | 150 | °C   |

- (1) Operation outside the *Absolute Maximum Ratings* may cause permanent device damage. *Absolute Maximum Ratings* do not imply functional operation of the device at these or any other conditions beyond those listed under *Recommended Operating Conditions*. If used outside the *Recommended Operating Conditions* but within the *Absolute Maximum Ratings*, the device may not be fully functional, and this may affect device reliability, functionality, performance, and shorten the device lifetime.
- (2) All voltages are with respect to the device GND pin.

### 5.2 ESD Ratings

|                    |                         | VALUE  | UNIT  |
|--------------------|-------------------------|--|-------|
| V <sub>(ESD)</sub> | Electrostatic discharge | Human body model (HBM), per ANSI/ESDA/JEDEC JS-001, all pins <sup>(1)</sup>              | ±3000 |
|                    |                         | Charged device model (CDM), per JEDEC specification JESD22-C101, all pins <sup>(2)</sup> | ±2000 |

- (1) JEDEC document JEP155 states that 500-V HBM allows safe manufacturing with a standard ESD control process.
- (2) JEDEC document JEP157 states that 250-V CDM allows safe manufacturing with a standard ESD control process.

### 5.3 Recommended Operating Conditions

over operating free-air temperature range (unless otherwise noted)

|  |                                    | MIN    | TYP  | MAX  | UNIT |
|--|------------------------------------|--------|------|------|------|
| V <sub>CC</sub> and VC <sup>(1)</sup>        | Supply Voltage                     |        |      | 30   | V    |
| V <sub>I</sub> , RT/CT                       | Input Voltage                      | 0      |      | 5.5  | V    |
| V <sub>I</sub> , VFB and ISENSE              | Input Voltage                      | 0      |      | 5.5  | V    |
| V <sub>O</sub> , OUTPUT                      | Output voltage                     | 0      |      | 30   | V    |
| V <sub>O</sub> , POWER GROUND <sup>(1)</sup> | Output voltage                     | - 0.1  |      | 1    | V    |
| I <sub>CC</sub>                              | Supply current, externally limited |        |      | 25   | mA   |
| I <sub>O</sub>                               | Average output current             |        |      | 200  | mA   |
| I <sub>O(ref)</sub>                          | Reference output current           |        |      | - 20 | mA   |
| f <sub>OSC</sub>                             | Oscillator frequency               |        | 100  | 500  | kHz  |
| T <sub>A</sub>                               | Operating free-air temperature     | TL284x | - 40 | 85   | °C   |
|  |                                    | TL384x | 0    | 70   |      |

- (1) These recommended voltages for VC and POWER GROUND apply only to the D package.

### 5.4 Thermal Information

| THERMAL METRIC <sup>(1)</sup> |  | TLx84x   |          |          | UNIT |
|-------------------------------|--|----------|----------|----------|------|
|                               |  | D (SOIC) | D (SOIC) | P (PDIP) |      |
|                               |  | 8 PINS   | 14 PINS  | 8 PINS   |      |
| R <sub>θJA</sub>              | Junction-to-ambient thermal resistance | 117.4    | 87.9     | 74.1     | °C/W |

- (1) For more information about traditional and new thermal metrics, see the [Semiconductor and IC Package Thermal Metrics](#) application note.

## 5.5 Electrical Characteristics

over operating free-air temperature range,  $V_{CC} = 15\text{ V}^{(1)}$ ,  $R_T = 10\text{ k}\Omega$ ,  $C_T = 3.3\text{ nF}$  (unless otherwise noted)

| PARAMETER                                 | TEST CONDITIONS <sup>(2)</sup>  | TL284x |                    |      | TL384x |                    |      | UNIT          |
|---|---|--------|--------------------|------|--------|--------------------|------|---------------|
|   |   | MIN    | TYP <sup>(2)</sup> | MAX  | MIN    | TYP <sup>(2)</sup> | MAX  |               |
| <b>Reference Section</b>                  |   |        |                    |      |        |                    |      |               |
| Output voltage                            | $I_O = 1\text{ mA}$ , $T_A = 25^\circ\text{C}$                              | 4.95   | 5                  | 5.05 | 4.9    | 5                  | 5.1  | V             |
| Line regulation                           | $V_{CC} = 12\text{ V to }25\text{ V}$                                       |        | 6                  | 20   |        | 6                  | 20   | mV            |
| Load regulation                           | $I_O = 1\text{ mA to }20\text{ mA}$   |        | 6                  | 25   |        | 6                  | 25   | mV            |
| Temperature coefficient of output voltage |   |        | 0.2                | 0.4  |        | 0.2                | 0.4  | mV/°C         |
| Output voltage with worst-case variation  | $V_{CC} = 12\text{ V to }25\text{ V}$ , $I_O = 1\text{ mA to }20\text{ mA}$ | 4.9    |                    | 5.1  | 4.82   |                    | 5.18 | V             |
| Output noise voltage                      | $f = 10\text{ Hz to }10\text{ kHz}$ , $T_A = 25^\circ\text{C}$              |        | 50                 |      |        | 50                 |      | $\mu\text{V}$ |
| Output-voltage long-term drift            | After 1000 h at $T_A = 25^\circ\text{C}$                                    |        | 5                  | 25   |        | 5                  | 25   | mV            |
| Short-circuit output current              |   | -30    | -100               | -180 | -30    | -100               | -180 | mA            |
| <b>Oscillator Section</b>                 |   |        |                    |      |        |                    |      |               |
| Oscillator frequency <sup>(3)</sup>       | $T_A = 25^\circ\text{C}$  | 47     | 52                 | 57   | 47     | 52                 | 57   | kHz           |
| Frequency change with supply voltage      | $V_{CC} = 12\text{ V to }25\text{ V}$                                       |        | 2                  | 10   |        | 2                  | 10   | Hz/kHz        |
| Frequency change with temperature         |   |        | 50                 |      |        | 50                 |      | Hz/kHz        |
| peak-to-peak amplitude at RT/CT           |   |        | 1.7                |      |        | 1.7                |      | V             |
| <b>Error-Amplifier Section</b>            |   |        |                    |      |        |                    |      |               |
| Feedback input voltage                    | COMP at 2.5 V   | 2.45   | 2.50               | 2.55 | 2.42   | 2.50               | 2.58 | V             |
| Input bias current                        |   |        | -0.3               | -1   |        | -0.3               | -2   | $\mu\text{A}$ |
| Open-loop voltage amplification           | $V_O = 2\text{ V to }4\text{ V}$  | 65     | 90                 |      | 65     | 90                 |      | dB            |
| Gain-bandwidth product                    |   | 0.7    | 1                  |      | 0.7    | 1                  |      | MHz           |
| Supply-voltage rejection ratio            | $V_{CC} = 12\text{ V to }25\text{ V}$                                       | 60     | 70                 |      | 60     | 70                 |      | dB            |
| Output sink current                       | VFB, at 2.7 V, COMP at 1.1 V  | 2      | 6                  |      | 2      | 6                  |      | mA            |
| Output source current                     | VFB, at 2.3 V, COMP at 5 V  | -0.5   | -0.8               |      | -0.5   | -0.8               |      | mA            |
| High-level output voltage                 | VFB, at 2.3 V, $R_L = 15\text{ k}\Omega$ to GND                             | 5      | 6                  |      | 5      | 6                  |      | V             |
| Low-level output voltage                  | VFB, at 2.7 V, $R_L = 15\text{ k}\Omega$ to GND                             |        | 0.7                | 1.1  |        | 0.7                | 1.1  | V             |
| <b>Current-sense Section</b>              |   |        |                    |      |        |                    |      |               |
| Voltage amplification                     | See <sup>(4)</sup> <sup>(5)</sup>   | 2.85   | 3                  | 3.13 | 2.85   | 3                  | 3.15 | V/V           |
| Current-sense comparator threshold        | COMP at 5 V, see <sup>(4)</sup>   | 0.9    | 1                  | 1.1  | 0.9    | 1                  | 1.1  | V             |
| Supply-voltage rejection ratio            | $V_{CC} = 12\text{ V to }25\text{ V}$ , see <sup>(4)</sup>                  |        | 70                 |      |        | 70                 |      | dB            |
| Input bias current                        |   |        | -2                 | -10  |        | -2                 | -10  | $\mu\text{A}$ |
| Delay time to output                      |   |        | 150                | 300  |        | 150                | 300  | ns            |
| <b>Output Section</b>                     |   |        |                    |      |        |                    |      |               |
| High-level output voltage                 | $I_{OH} = -20\text{ mA}$  | 13     | 13.5               |      | 13     | 13.5               |      | V             |
|   | $I_{OH} = -200\text{ mA}$   | 12     | 13.5               |      | 13     | 13.5               |      |               |
| Low-level output voltage                  | $I_{OH} = 20\text{ mA}$   |        | 0.1                | 0.4  |        | 0.1                | 0.4  | V             |
|   | $I_{OH} = 200\text{ mA}$  |        | 1.5                | 2.2  |        | 1.5                | 2.2  |               |
| Rise time                                 | $C_L = 1\text{ nF}$ , $T_A = 25^\circ\text{C}$                              |        | 25                 | 150  |        | 25                 | 150  | ns            |
| fall time                                 | $C_L = 1\text{ nF}$ , $T_A = 25^\circ\text{C}$                              |        | 25                 | 150  |        | 25                 | 150  | ns            |
| <b>Undervoltage-Lockout Section</b>       |   |        |                    |      |        |                    |      |               |
| Start threshold voltage                   | TLx842, TLx844  | 15     | 16                 | 17   | 14.5   | 16                 | 17.5 | V             |
|   | TLx843, TLx845  | 7.8    | 8.4                | 9    | 7.8    | 8.4                | 9    |               |
| Minimum operating voltage after startup   | TLx842, TLx844  | 9      | 10                 | 11   | 8.5    | 10                 | 11.5 | V             |
|   | TLx843, TLx845  | 7      | 7.6                | 8.2  | 7      | 7.6                | 8.02 |               |

## 5.5 Electrical Characteristics (续)

over operating free-air temperature range,  $V_{CC} = 15\text{ V}^{(1)}$ ,  $R_T = 10\text{ k}\Omega$ ,  $C_T = 3.3\text{ nF}$  (unless otherwise noted)

| PARAMETER                            | TEST CONDITIONS <sup>(2)</sup> | TL284x |                    |      | TL384x |                    |      | UNIT |
|--------------------------------------|--------------------------------|--------|--------------------|------|--------|--------------------|------|------|
|                                      |                                | MIN    | TYP <sup>(2)</sup> | MAX  | MIN    | TYP <sup>(2)</sup> | MAX  |      |
| <b>Pulse-Width-Modulator Section</b> |                                |        |                    |      |        |                    |      |      |
| Maximum duty cycle                   | TLx842, TLx843                 | 92%    | 97%                | 100% | 92%    | 97%                | 100% |      |
|                                      | TLx844, TLx845                 | 46%    | 48%                | 50%  | 46%    | 48%                | 50%  |      |
| Minimum duty cycle                   |                                |        |                    | 0%   |        |                    | 0%   |      |
| <b>Supply Voltage</b>                |                                |        |                    |      |        |                    |      |      |
| Start-up current                     |                                |        | 0.5                | 1    |        | 0.5                | 1    | mA   |
| Operating supply current             | VFB and ISENSE at 0 V          |        | 11                 | 17   |        | 11                 | 17   | mA   |
| Limiting voltage                     | $I_{CC} = 25\text{ mA}$        |        | 39                 |      |        | 39                 |      | V    |

- (1) Adjust  $V_{CC}$  above the start threshold before setting it to 15 V.
- (2) All typical values are at  $T_A = 25^\circ\text{C}$ .
- (3) Output frequency equals oscillator frequency for the TLx842 and TLx843. Output frequency is one-half the oscillator frequency for the TLx844 and TLx845.
- (4) These parameters are measured at the trip point of the latch, with VFB at 0 V.
- (5) Voltage amplification is measured between ISENSE and COMP, with the input changing from 0 V to 0.8 V.

## 5.6 Typical Characteristics

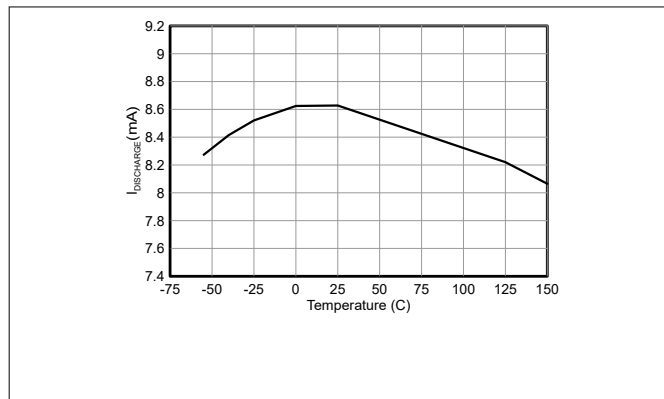


图 5-1. Oscillator Discharge Current vs Temperature for  $V_{IN} = 15\text{ V}$  and  $V_{OSC} = 2\text{ V}$

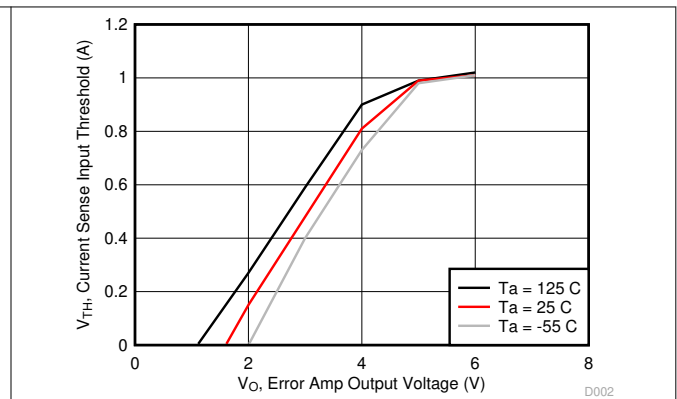


图 5-2. Current Sense Input Threshold vs Error Amplifier Output Voltage for  $V_{IN} = 15\text{ V}$

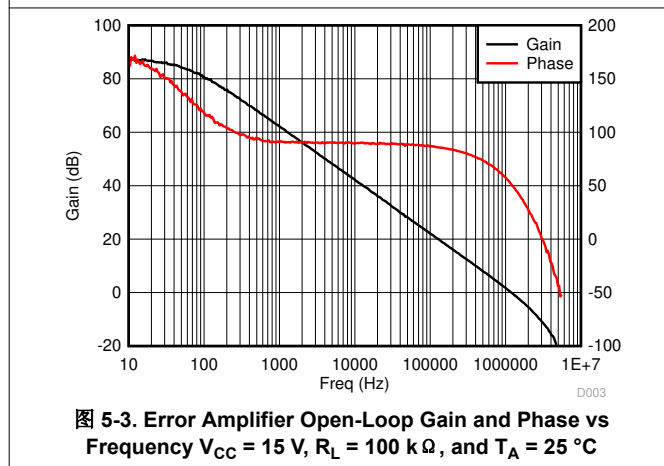


图 5-3. Error Amplifier Open-Loop Gain and Phase vs Frequency  $V_{CC} = 15\text{ V}$ ,  $R_L = 100\text{ k}\Omega$ , and  $T_A = 25^\circ\text{C}$

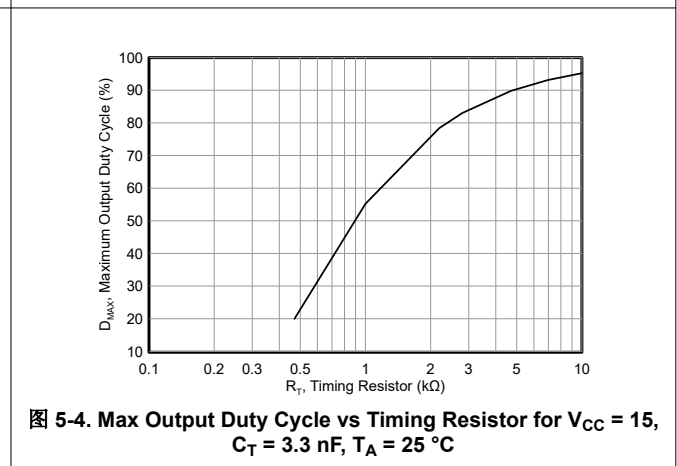


图 5-4. Max Output Duty Cycle vs Timing Resistor for  $V_{CC} = 15$ ,  $C_T = 3.3\text{ nF}$ ,  $T_A = 25^\circ\text{C}$

### 5.6 Typical Characteristics (continued)

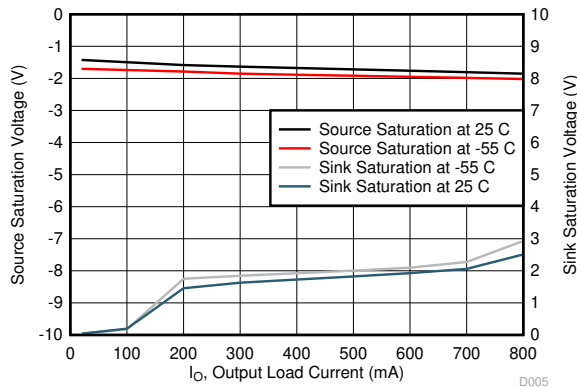


图 5-5. Output Saturation Voltage vs Load Current for  $V_{CC} = 15$  V with 5-ms Input Pulses

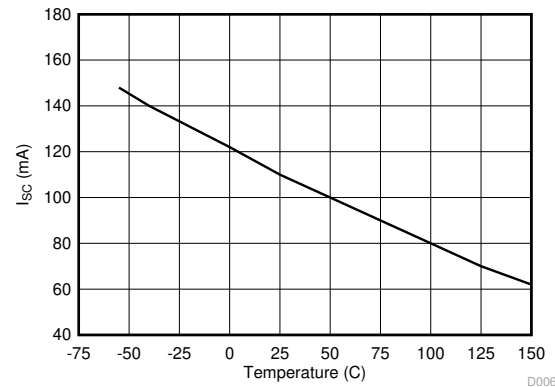


图 5-6. Reference Short Circuit Current vs Temperature for  $V_{IN} = 15$  V

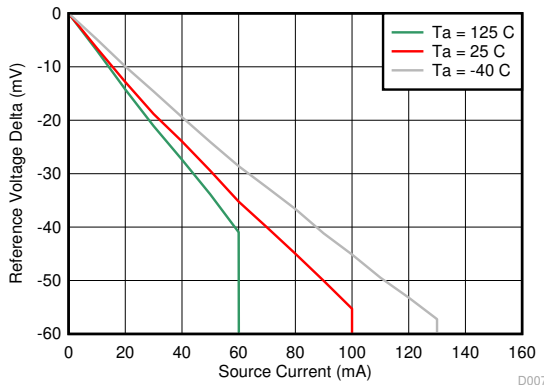


图 5-7. Reference Voltage vs Source Current

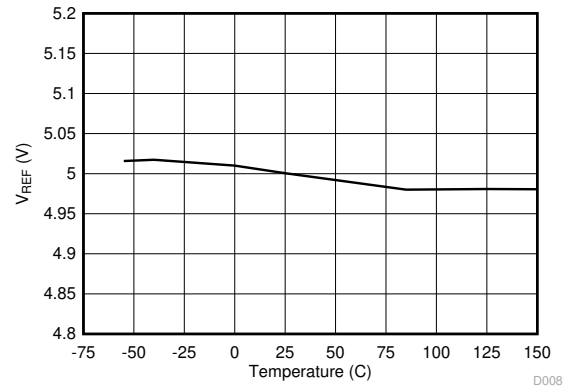


图 5-8. Reference Voltage vs Temperature

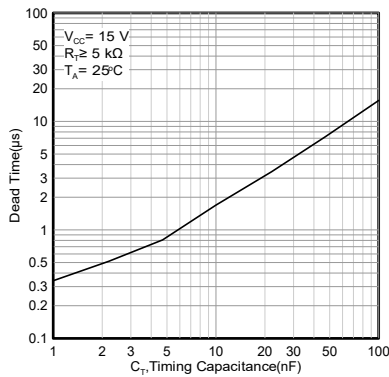


图 5-9. Dead Time vs Timing Capacitance

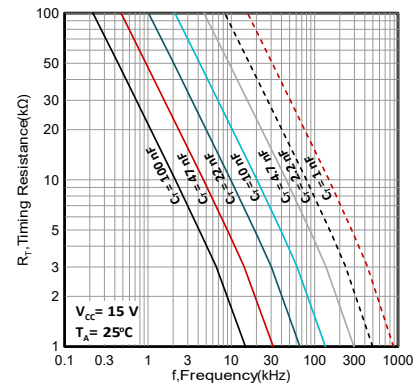


图 5-10. Timing Resistance vs Frequency

## 6 Detailed Description

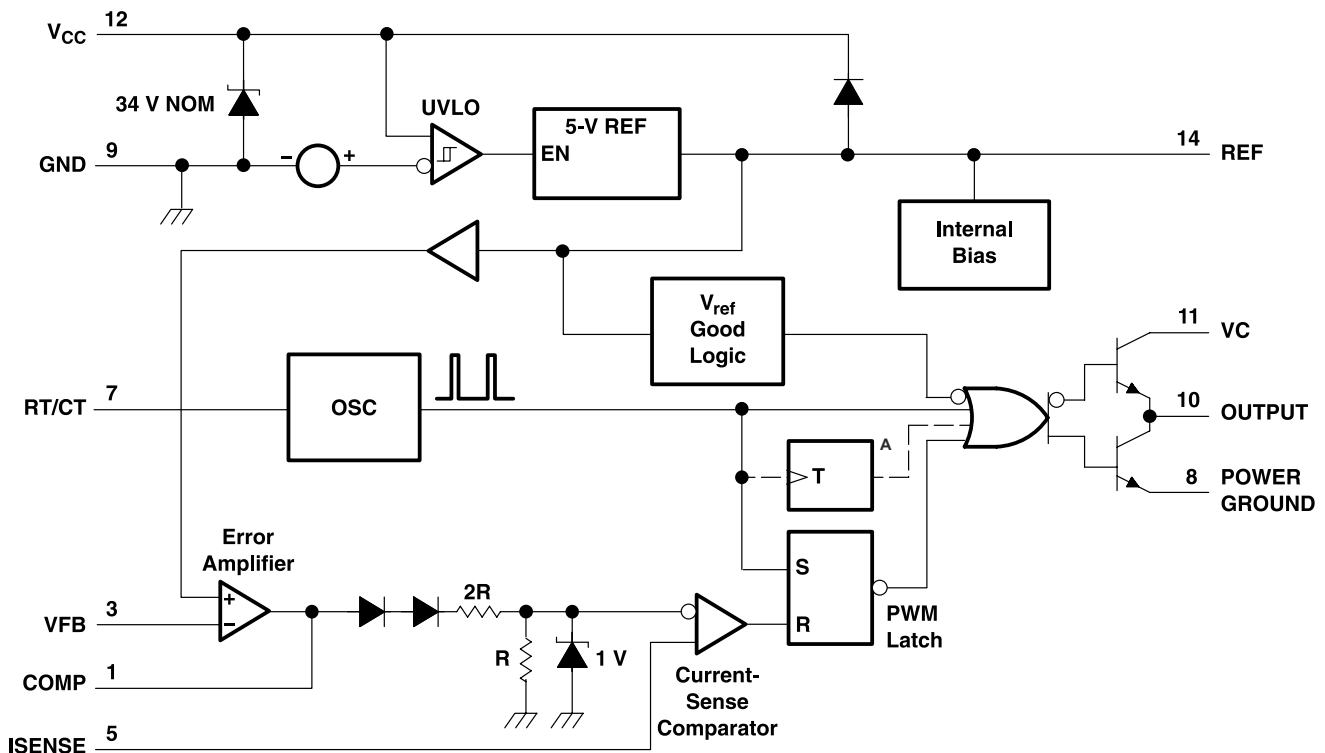
### 6.1 Overview

The TL284x and TL384x series of control integrated circuits provide the features that are necessary to implement off-line or DC-to-DC fixed-frequency current-mode control schemes, with a minimum number of external components. Some of the internally implemented circuits are an undervoltage lockout (UVLO), featuring a start-up current of less than 1 mA, and a precision reference trimmed for accuracy at the error amplifier input. Other internal circuits include logic to ensure latched operation, a pulse-width modulation (PWM) comparator (that also provides current-limit control), and a totem-pole output stage designed to source or sink high-peak current. The output stage, suitable for driving N-channel MOSFETs, is low when it is in the off state.

Major differences between members of these series are the UVLO thresholds and maximum duty-cycle ranges. Typical UVLO thresholds of 16 V (on) and 10 V (off) on the TLx842 and TLx844 devices make them ideally suited to off-line applications. The corresponding typical thresholds for the TLx843 and TLx845 devices are 8.4 V (on) and 7.6 V (off). The TLx842 and TLx843 devices can operate to duty cycles approaching 100%. A duty-cycle range of 0 to 50% is obtained by the TLx844 and TLx845 by the addition of an internal toggle flip-flop, which blanks the output off every other clock cycle.

The TL284x-series devices are characterized for operation from  $-40^{\circ}\text{C}$  to  $+85^{\circ}\text{C}$ . The TL384x devices are characterized for operation from  $0^{\circ}\text{C}$  to  $70^{\circ}\text{C}$ .

### 6.2 Functional Block Diagram



A. The toggle flip-flop is present only in TL2844, TL2845, TL3844, and TL3845. Pin numbers shown are for the D (14-pin) package.

### 6.3 Feature Description

#### 6.3.1 Pulse-by-Pulse Current Limiting

Pulse-by-pulse limiting is inherent in the control scheme. An upper limit on the peak current can be established by simply clamping the error voltage. Accurate current limiting allows optimization of magnetic and power semiconductor elements while ensuring reliable supply operation.

### 6.3.2 Error Amplifier With Low Output Resistance

With a low output resistance, various impedance networks may be used on the compensation pin input for error amplifier feedback.

### 6.3.3 High-Current Totem-Pole Output

The output of the TLx84x devices can sink or source up to 1 A of current.

## 6.4 Device Functional Modes

### 6.4.1 Shutdown Technique

The PWM controller (see 图 6-1) can be shut down by two methods: either raise the voltage at ISENSE above 1 V or pull the COMP terminal below a voltage two diode drops above ground. Either method causes the output of the PWM comparator to be high (see *Functional Block Diagram*). The PWM latch is reset dominant so that the output remains low until the next clock cycle after the shutdown condition at the COMP or ISENSE terminal is removed. In one example, an externally latched shutdown can be accomplished by adding an SCR that resets by cycling VCC below the lower UVLO threshold. At this point, the reference turns off, allowing the SCR to reset.

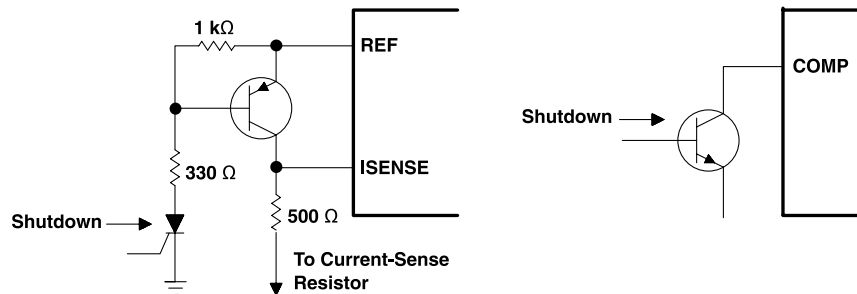


图 6-1. Shutdown Techniques

### 6.4.2 Slope Compensation

A fraction of the oscillator ramp can be summed resistively with the current-sense signal to provide slope compensation for converters requiring duty cycles over 50% (see 图 6-2).

备注

Capacitor C forms a filter with R2 to suppress the leading-edge switch spikes.

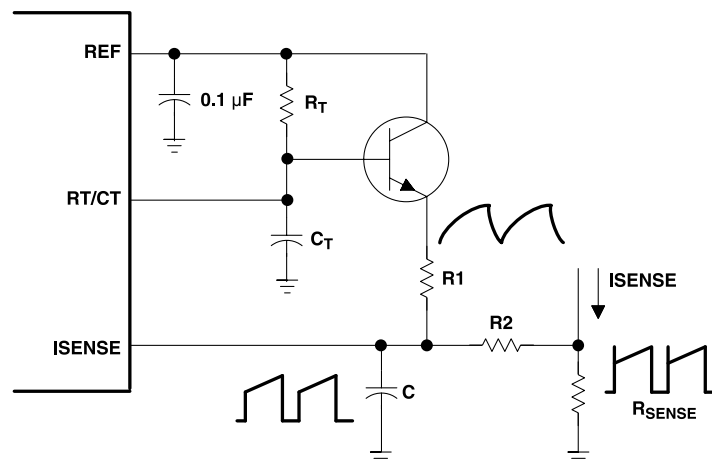


图 6-2. Slope Compensation

## 7 Application and Implementation

### 备注

以下应用部分中的信息不属于 TI 器件规格的范围，TI 不担保其准确性和完整性。TI 的客户应负责确定器件是否适用于其应用。客户应验证并测试其设计，以确保系统功能。

### 7.1 Typical Application

The following application is an open-loop laboratory test fixture. This circuit demonstrates the setup and use of the TL284x and TL384x devices and their internal circuitry.

In the open-loop laboratory test fixture (see 图 7-1), high peak currents associated with loads necessitate careful grounding techniques. Timing and bypass capacitors should be connected close to the GND terminal in a single-point ground. The transistor and 5-k $\Omega$  potentiometer sample the oscillator waveform and apply an adjustable ramp to the ISENSE terminal.

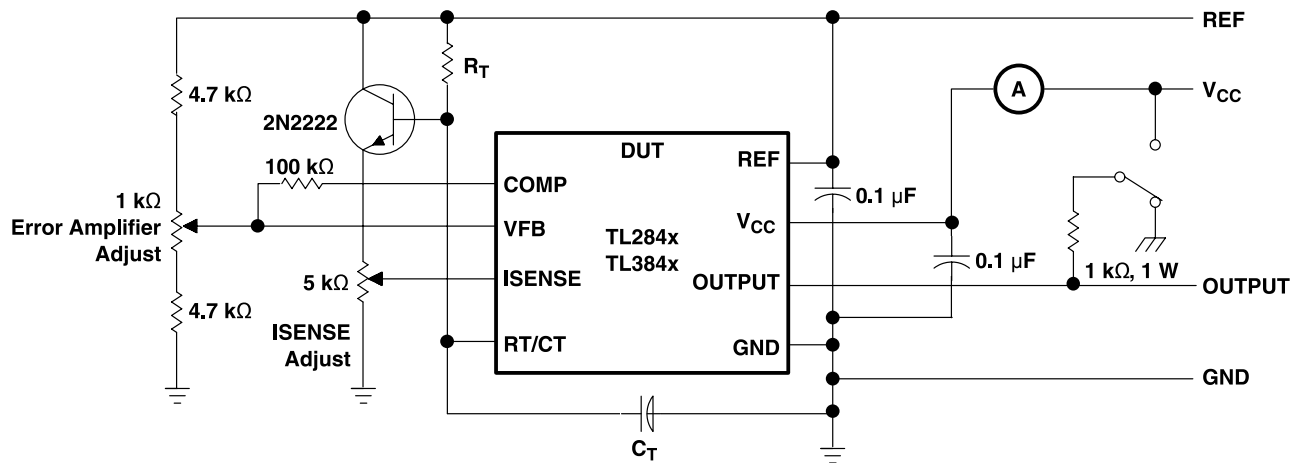


图 7-1. Open-Loop Laboratory Test Fixture

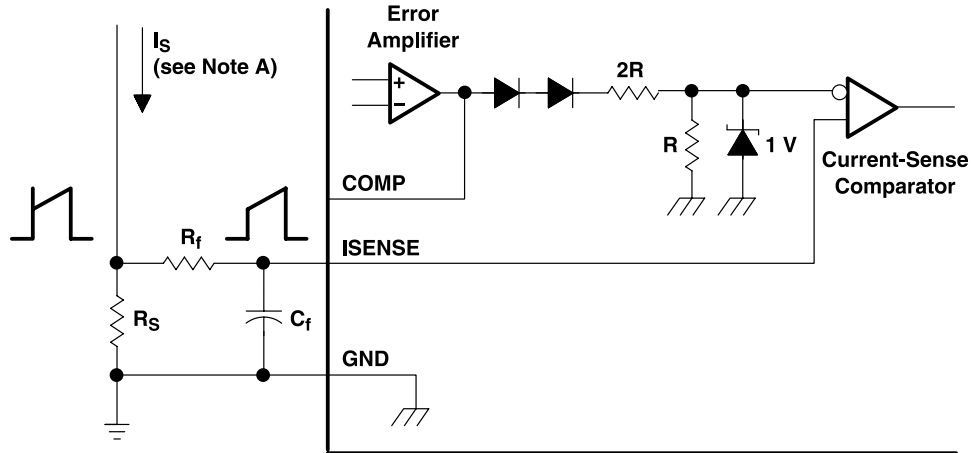
#### 7.1.1 Design Requirements

The design techniques in the following sections may be used for power supply PWM applications which fall within the following requirements.

- 500-kHz or lower operation
- 30-V or less output voltage
- 200-mA or less output current

## 7.1.2 Detailed Design Procedure

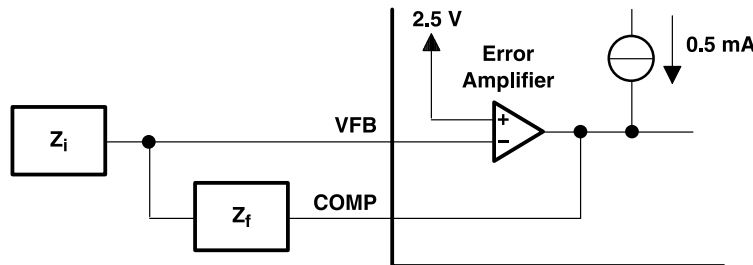
### 7.1.2.1 Current-Sense Circuit



- A. Peak current ( $I_S$ ) is determined by the formula:  $I_{S(max)} = \frac{1\text{ V}}{R_s}$ . A small RC filter formed by resistor  $R_f$  and capacitor  $C_f$  may be required to suppress switch transients.

图 7-2. Current-Sense Circuit Schematic

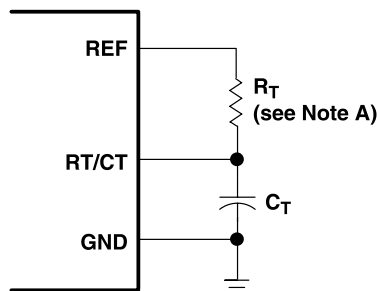
### 7.1.2.2 Error-Amplifier Configuration



- A. Error amplifier can source or sink up to 0.5 mA.

图 7-3. Error-Amplifier Configuration Schematic

### 7.1.2.3 Oscillator Section



- A. For  $R_T > 5\text{ k}\Omega$ :  $f \approx \frac{1.72}{R_T C_T}$

图 7-4. Oscillator Section Schematic

### 7.1.3 Application Curve

The application curve shows oscillator characteristics for chosen capacitor and resistor values.

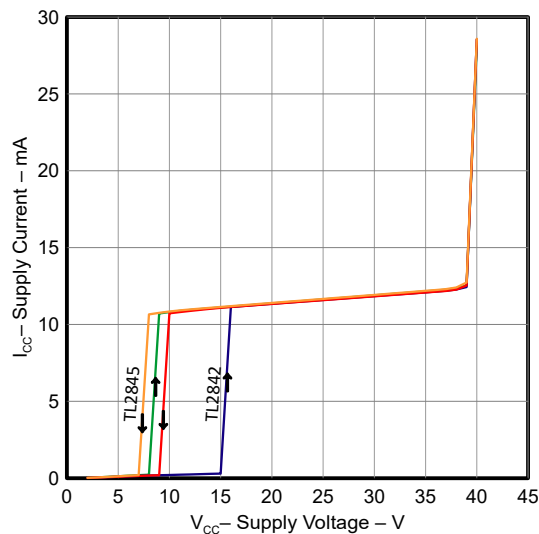


图 7-5. Supply Current vs Supply Voltage

## 7.2 Power Supply Recommendations

See [Recommended Operating Conditions](#) for the recommended power supply voltages for the TL284x and TL384x devices. TI also recommends to have a decoupling capacitor on the output of the device's power supply to limit noise on the device input.

## 7.3 Layout

### 7.3.1 Layout Guidelines

Always try to use a low EMI inductor with a ferrite type closed core. Some examples would be toroid and encased E core inductors. Open core can be used if they have low EMI characteristics and are located a bit more away from the low power traces and components. Make the poles perpendicular to the PCB as well if using an open core. Stick cores usually emit the most unwanted noise.

#### 7.3.1.1 Feedback Traces

Try to run the feedback trace as far from the inductor and noisy power traces as possible. Also, keep the feedback trace to be as direct as possible and somewhat thick. These two sometimes involve a trade-off, but keeping it away from inductor EMI and other noise sources is the more critical of the two. Run the feedback trace on the side of the PCB opposite of the inductor with a ground plane separating the two.

#### 7.3.1.2 Input/Output Capacitors

When using a low value ceramic input filter capacitor, it should be located as close to the V<sub>CC</sub> pin of the IC as possible. This will eliminate as much trace inductance effects as possible and give the internal IC rail a cleaner voltage supply. Some designs require the use of a feed-forward capacitor connected from the output to the feedback pin as well, usually for stability reasons. In this case it should also be positioned as close to the IC as possible. Using surface mount capacitors also reduces lead length and lessens the chance of noise coupling into the effective antenna created by through-hole components.

#### 7.3.1.3 Compensation Components

External compensation components for stability should also be placed close to the IC. Surface mount components are recommended here as well for the same reasons discussed for the filter capacitors. These should not be located very close to the inductor either.

### 7.3.1.4 Traces and Ground Planes

Make all of the power (high current) traces as short, direct, and thick as possible. It is good practice on a standard PCB board to make the traces an absolute minimum of 15 mils (0.381 mm) per Ampere. The inductor, output capacitors, and output diode should be as close to each other possible. This helps reduce the EMI radiated by the power traces due to the high switching currents through them. This will also reduce lead inductance and resistance as well, which in turn reduces noise spikes, ringing, and resistive losses that produce voltage errors.

The grounds of the IC, input capacitors, output capacitors, and output diode (if applicable) should be connected close together directly to a ground plane. It would also be a good idea to have a ground plane on both sides of the PCB. This will reduce noise as well by reducing ground loop errors as well as by absorbing more of the EMI radiated by the inductor. For multi-layer boards with more than two layers, a ground plane can be used to separate the power plane (where the power traces and components are) and the signal plane (where the feedback and compensation and components are) for improved performance. On multi-layer boards the use of vias will be required to connect traces and different planes. It is good practice to use one standard via per 200 mA of current if the trace will need to conduct a significant amount of current from one plane to the other.

Arrange the components so that the switching current loops curl in the same direction. Due to the way switching regulators operate, there are two power states. One state when the switch is on and one when the switch is off. During each state there will be a current loop made by the power components that are currently conducting. Place the power components so that during each of the two states the current loop is conducting in the same direction. This prevents magnetic field reversal caused by the traces between the two half-cycles and reduces radiated EMI.

### 7.3.2 Layout Example

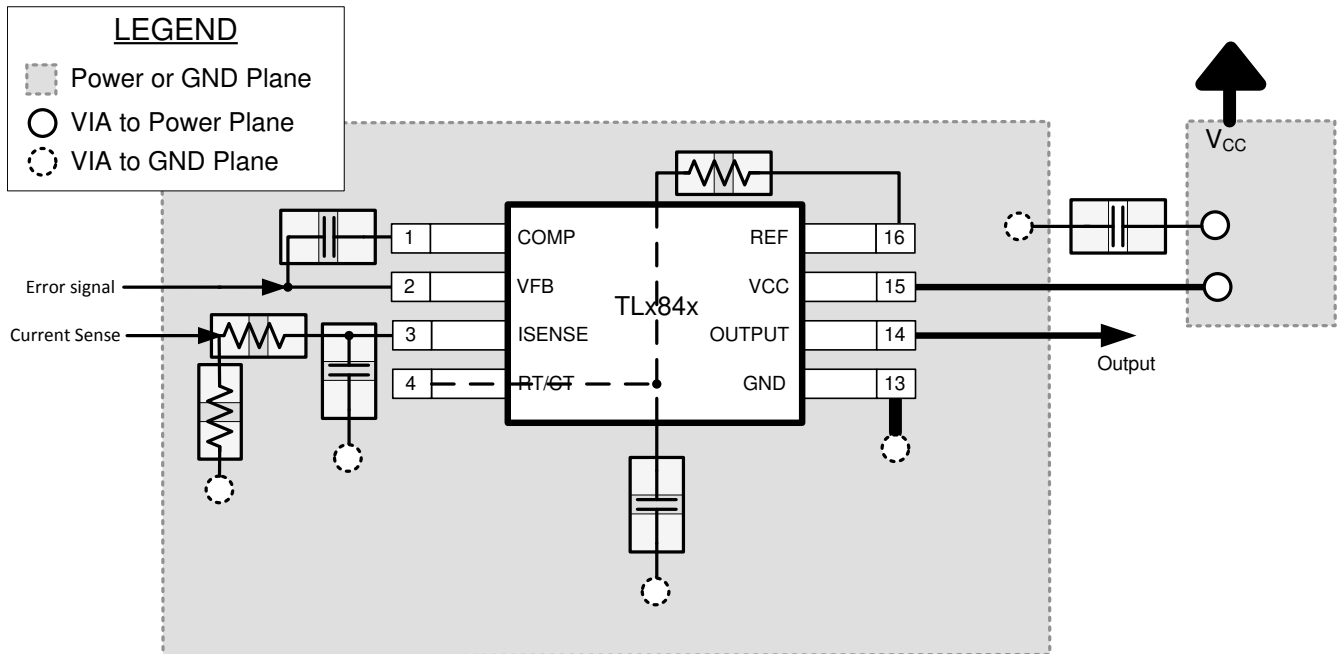


图 7-6. Layout of D-8 or P Package for TLx84x Devices

## 8 Device and Documentation Support

### 8.1 接收文档更新通知

要接收文档更新通知，请导航至 [ti.com](https://www.ti.com) 上的器件产品文件夹。点击 [通知](#) 进行注册，即可每周接收产品信息更改摘要。有关更改的详细信息，请查看任何已修订文档中包含的修订历史记录。

### 8.2 支持资源

[TI E2E™ 中文支持论坛](#) 是工程师的重要参考资料，可直接从专家处获得快速、经过验证的解答和设计帮助。搜索现有解答或提出自己的问题，获得所需的快速设计帮助。

链接的内容由各个贡献者“按原样”提供。这些内容并不构成 TI 技术规范，并且不一定反映 TI 的观点；请参阅 TI 的 [使用条款](#)。

### 8.3 Trademarks

TI E2E™ is a trademark of Texas Instruments.

所有商标均为其各自所有者的财产。

### 8.4 静电放电警告



静电放电 (ESD) 会损坏这个集成电路。德州仪器 (TI) 建议通过适当的预防措施处理所有集成电路。如果不遵守正确的处理和安装程序，可能会损坏集成电路。

ESD 的损坏小至导致微小的性能降级，大至整个器件故障。精密的集成电路可能更容易受到损坏，这是因为非常细微的参数更改都可能会导致器件与其发布的规格不相符。

### 8.5 术语表

[TI 术语表](#) 本术语表列出并解释了术语、首字母缩略词和定义。

## 9 Revision History

注：以前版本的页码可能与当前版本的页码不同

| Changes from Revision I (July 2016) to Revision J (October 2024)   | Page |
|--|------|
| • 更新了整个文档中的表格、图和交叉参考的编号格式.....   | 1    |
| • Changed ESD ratings, CDM rating from $\pm 3000V$ to $\pm 2000V$ .....  | 4    |
| • Changed thermal information for D-8, D-14, and P-8 packages.....   | 4    |
| • Changed the OUTPUT SECTION: Rise and fall time, typical value from 50ns to 25ns in the Electrical Characteristics section.....   | 5    |
| • Changed the PWM: maximum duty cycle of TLx842/3B, minimum value from 95% to 92% in the Electrical Characteristics section.....   | 5    |
| • Changed the TOTAL STANDBY CURRENT, VCC Zener voltage, typical value from 34V to 39V in the Electrical Characteristics section.....   | 5    |
| • Updated the <i>Typical Characteristics</i> graphs for $I_{discharge}$ vs $T_a$ , Maximum Duty Cycle vs $R_t$ , Deadtime vs $C_t$ , $R_t$ vs frequency, and $I_{VCC}$ vs $V_{CC}$ ..... | 6    |

| Changes from Revision H (January 2015) to Revision I (July 2016)  | Page |
|---|------|
| • Updated pinout images.....  | 3    |
| • Changed TL984x to TL384x in <i>Recommended Operating Conditions</i> .....   | 4    |
| • Changed TLx842, TLx844 to TLx842, TLx843 and TLx843, TLx845 to TLx844, TLx845 in <i>Pulse-Width-Modulator Section</i> ..... | 5    |
| • Added <i>Receiving Notification of Documentation Updates</i> section and <i>Community Resources</i> section.....            | 14   |

**Changes from Revision G (February 2008) to Revision H (January 2015)**

**Page**

|   |   |
|---|---|
| • 添加了应用、器件信息表、引脚功能表、ESD 等级表、热性能信息表、典型特性、特性说明部分、器件功能模式、应用和实施部分、电源相关建议部分、布局部分、器件和文档支持部分以及机械、封装和可订购信息部分..... | 1 |
| • 删除了订购信息表.....   | 1 |

**10 Mechanical, Packaging, and Orderable Information**

The following pages include mechanical, packaging, and orderable information. This information is the most current data available for the designated devices. This data is subject to change without notice and revision of this document. For browser-based versions of this data sheet, refer to the left-hand navigation.

**PACKAGING INFORMATION**

| Orderable part number | Status<br>(1) | Material type<br>(2) | Package   Pins | Package qty   Carrier | RoHS<br>(3) | Lead finish/<br>Ball material<br>(4) | MSL rating/<br>Peak reflow<br>(5) | Op temp (°C) | Part marking<br>(6) |
|-----------------------|---------------|----------------------|----------------|-----------------------|-------------|--------------------------------------|-----------------------------------|--------------|---------------------|
| TL2842D               | Obsolete      | Production           | SOIC (D)   14  | -                     | -           | Call TI                              | Call TI                           | -40 to 85    | TL2842              |
| TL2842D-8             | Obsolete      | Production           | SOIC (D)   8   | -                     | -           | Call TI                              | Call TI                           | -40 to 85    | TL2842              |
| TL2842DR              | Active        | Production           | SOIC (D)   14  | 2500   LARGE T&R      | Yes         | NIPDAU                               | Level-2-260C-1 YEAR               | -40 to 85    | TL2842              |
| TL2842DR-8            | Active        | Production           | SOIC (D)   8   | 2500   LARGE T&R      | Yes         | NIPDAU                               | Level-2-260C-1 YEAR               | -40 to 85    | TL2842              |
| TL2842DR-8.A          | Active        | Production           | SOIC (D)   8   | 2500   LARGE T&R      | Yes         | NIPDAU                               | Level-2-260C-1 YEAR               | -40 to 85    | TL2842              |
| TL2842DR.A            | Active        | Production           | SOIC (D)   14  | 2500   LARGE T&R      | Yes         | NIPDAU                               | Level-2-260C-1 YEAR               | -40 to 85    | TL2842              |
| TL2842P               | NRND          | Production           | PDIP (P)   8   | 50   TUBE             | Yes         | NIPDAU                               | N/A for Pkg Type                  | -40 to 85    | TL2842P             |
| TL2842P.A             | NRND          | Production           | PDIP (P)   8   | 50   TUBE             | Yes         | NIPDAU                               | N/A for Pkg Type                  | -40 to 85    | TL2842P             |
| TL2843D-8             | Obsolete      | Production           | SOIC (D)   8   | -                     | -           | Call TI                              | Call TI                           | -40 to 85    | TL2843              |
| TL2843DR              | Active        | Production           | SOIC (D)   14  | 2500   LARGE T&R      | Yes         | NIPDAU                               | Level-1-260C-UNLIM                | -40 to 85    | TL2843              |
| TL2843DR-8            | Active        | Production           | SOIC (D)   8   | 2500   LARGE T&R      | Yes         | NIPDAU                               | Level-1-260C-UNLIM                | -40 to 85    | TL2843              |
| TL2843DR-8.A          | Active        | Production           | SOIC (D)   8   | 2500   LARGE T&R      | Yes         | NIPDAU                               | Level-1-260C-UNLIM                | -40 to 85    | TL2843              |
| TL2843DR.A            | Active        | Production           | SOIC (D)   14  | 2500   LARGE T&R      | Yes         | NIPDAU                               | Level-1-260C-UNLIM                | -40 to 85    | TL2843              |
| TL2843DRE4            | Active        | Production           | SOIC (D)   14  | 2500   LARGE T&R      | Yes         | NIPDAU                               | Level-1-260C-UNLIM                | -40 to 85    | TL2843              |
| TL2843DRG4-8          | Active        | Production           | SOIC (D)   8   | 2500   LARGE T&R      | Yes         | NIPDAU                               | Level-1-260C-UNLIM                | -40 to 85    | TL2843              |
| TL2843P               | Active        | Production           | PDIP (P)   8   | 50   TUBE             | Yes         | NIPDAU                               | N/A for Pkg Type                  | -40 to 85    | TL2843P             |
| TL2843P.A             | Active        | Production           | PDIP (P)   8   | 50   TUBE             | Yes         | NIPDAU                               | N/A for Pkg Type                  | -40 to 85    | TL2843P             |
| TL2844D               | Obsolete      | Production           | SOIC (D)   14  | -                     | -           | Call TI                              | Call TI                           | -40 to 85    | TL2844              |
| TL2844D-8             | Obsolete      | Production           | SOIC (D)   8   | -                     | -           | Call TI                              | Call TI                           | -40 to 85    | TL2844              |
| TL2844DR              | Active        | Production           | SOIC (D)   14  | 2500   LARGE T&R      | Yes         | NIPDAU                               | Level-1-260C-UNLIM                | -40 to 85    | TL2844              |
| TL2844DR-8            | Active        | Production           | SOIC (D)   8   | 2500   LARGE T&R      | Yes         | NIPDAU                               | Level-1-260C-UNLIM                | -40 to 85    | TL2844              |
| TL2844DR-8.A          | Active        | Production           | SOIC (D)   8   | 2500   LARGE T&R      | Yes         | NIPDAU                               | Level-1-260C-UNLIM                | -40 to 85    | TL2844              |
| TL2844DR.A            | Active        | Production           | SOIC (D)   14  | 2500   LARGE T&R      | Yes         | NIPDAU                               | Level-1-260C-UNLIM                | -40 to 85    | TL2844              |
| TL2844DRG4            | Active        | Production           | SOIC (D)   14  | 2500   LARGE T&R      | Yes         | NIPDAU                               | Level-1-260C-UNLIM                | -40 to 85    | TL2844              |
| TL2844P               | NRND          | Production           | PDIP (P)   8   | 50   TUBE             | Yes         | NIPDAU                               | N/A for Pkg Type                  | -40 to 85    | TL2844P             |
| TL2844P.A             | NRND          | Production           | PDIP (P)   8   | 50   TUBE             | Yes         | NIPDAU                               | N/A for Pkg Type                  | -40 to 85    | TL2844P             |
| TL2844PE4             | NRND          | Production           | PDIP (P)   8   | 50   TUBE             | Yes         | NIPDAU                               | N/A for Pkg Type                  | -40 to 85    | TL2844P             |
| TL2845D               | Obsolete      | Production           | SOIC (D)   14  | -                     | -           | Call TI                              | Call TI                           | -40 to 85    | TL2845              |
| TL2845D-8             | Obsolete      | Production           | SOIC (D)   8   | -                     | -           | Call TI                              | Call TI                           | -40 to 85    | TL2845              |

| Orderable part number      | Status<br>(1) | Material type<br>(2) | Package   Pins | Package qty   Carrier | RoHS<br>(3) | Lead finish/<br>Ball material<br>(4) | MSL rating/<br>Peak reflow<br>(5) | Op temp (°C) | Part marking<br>(6) |
|----------------------------|---------------|----------------------|----------------|-----------------------|-------------|--------------------------------------|-----------------------------------|--------------|---------------------|
| <a href="#">TL2845DR</a>   | Active        | Production           | SOIC (D)   14  | 2500   LARGE T&R      | Yes         | NIPDAU                               | Level-1-260C-UNLIM                | -40 to 85    | TL2845              |
| <a href="#">TL2845DR-8</a> | Active        | Production           | SOIC (D)   8   | 2500   LARGE T&R      | Yes         | NIPDAU                               | Level-1-260C-UNLIM                | -40 to 85    | TL2845              |
| TL2845DR-8.A               | Active        | Production           | SOIC (D)   8   | 2500   LARGE T&R      | Yes         | NIPDAU                               | Level-1-260C-UNLIM                | -40 to 85    | TL2845              |
| TL2845DR.A                 | Active        | Production           | SOIC (D)   14  | 2500   LARGE T&R      | Yes         | NIPDAU                               | Level-1-260C-UNLIM                | -40 to 85    | TL2845              |
| TL2845DRG4                 | Active        | Production           | SOIC (D)   14  | 2500   LARGE T&R      | Yes         | NIPDAU                               | Level-1-260C-UNLIM                | -40 to 85    | TL2845              |
| <a href="#">TL2845P</a>    | NRND          | Production           | PDIP (P)   8   | 50   TUBE             | Yes         | NIPDAU                               | N/A for Pkg Type                  | -40 to 85    | TL2845P             |
| TL2845P.A                  | NRND          | Production           | PDIP (P)   8   | 50   TUBE             | Yes         | NIPDAU                               | N/A for Pkg Type                  | -40 to 85    | TL2845P             |
| <a href="#">TL3842D-8</a>  | Obsolete      | Production           | SOIC (D)   8   | -                     | -           | Call TI                              | Call TI                           | 0 to 70      | TL3842              |
| <a href="#">TL3842DR</a>   | Active        | Production           | SOIC (D)   14  | 2500   LARGE T&R      | Yes         | NIPDAU                               | Level-2-260C-1 YEAR               | 0 to 70      | TL3842              |
| <a href="#">TL3842DR-8</a> | Active        | Production           | SOIC (D)   8   | 2500   LARGE T&R      | Yes         | NIPDAU                               | Level-2-260C-1 YEAR               | 0 to 70      | TL3842              |
| TL3842DR-8.A               | Active        | Production           | SOIC (D)   8   | 2500   LARGE T&R      | Yes         | NIPDAU                               | Level-2-260C-1 YEAR               | 0 to 70      | TL3842              |
| TL3842DR.A                 | Active        | Production           | SOIC (D)   14  | 2500   LARGE T&R      | Yes         | NIPDAU                               | Level-2-260C-1 YEAR               | 0 to 70      | TL3842              |
| TL3842DRE4-8               | Active        | Production           | SOIC (D)   8   | 2500   LARGE T&R      | Yes         | NIPDAU                               | Level-2-260C-1 YEAR               | 0 to 70      | TL3842              |
| <a href="#">TL3842P</a>    | Active        | Production           | PDIP (P)   8   | 50   TUBE             | Yes         | NIPDAU                               | N/A for Pkg Type                  | 0 to 70      | TL3842P             |
| TL3842P.A                  | Active        | Production           | PDIP (P)   8   | 50   TUBE             | Yes         | NIPDAU                               | N/A for Pkg Type                  | 0 to 70      | TL3842P             |
| TL3842PE4                  | Active        | Production           | PDIP (P)   8   | 50   TUBE             | Yes         | NIPDAU                               | N/A for Pkg Type                  | 0 to 70      | TL3842P             |
| <a href="#">TL3843D</a>    | Obsolete      | Production           | SOIC (D)   14  | -                     | -           | Call TI                              | Call TI                           | 0 to 70      | TL3843              |
| <a href="#">TL3843D-8</a>  | Obsolete      | Production           | SOIC (D)   8   | -                     | -           | Call TI                              | Call TI                           | 0 to 70      | TL3843              |
| <a href="#">TL3843DR</a>   | Active        | Production           | SOIC (D)   14  | 2500   LARGE T&R      | Yes         | NIPDAU                               | Level-1-260C-UNLIM                | 0 to 70      | TL3843              |
| <a href="#">TL3843DR-8</a> | Active        | Production           | SOIC (D)   8   | 2500   LARGE T&R      | Yes         | NIPDAU                               | Level-1-260C-UNLIM                | 0 to 70      | TL3843              |
| TL3843DR-8.A               | Active        | Production           | SOIC (D)   8   | 2500   LARGE T&R      | Yes         | NIPDAU                               | Level-1-260C-UNLIM                | 0 to 70      | TL3843              |
| TL3843DR.A                 | Active        | Production           | SOIC (D)   14  | 2500   LARGE T&R      | Yes         | NIPDAU                               | Level-1-260C-UNLIM                | 0 to 70      | TL3843              |
| <a href="#">TL3843P</a>    | Active        | Production           | PDIP (P)   8   | 50   TUBE             | Yes         | NIPDAU                               | N/A for Pkg Type                  | 0 to 70      | TL3843P             |
| TL3843P.A                  | Active        | Production           | PDIP (P)   8   | 50   TUBE             | Yes         | NIPDAU                               | N/A for Pkg Type                  | 0 to 70      | TL3843P             |
| <a href="#">TL3844D</a>    | Obsolete      | Production           | SOIC (D)   14  | -                     | -           | Call TI                              | Call TI                           | 0 to 70      | TL3844              |
| <a href="#">TL3844D-8</a>  | Obsolete      | Production           | SOIC (D)   8   | -                     | -           | Call TI                              | Call TI                           | 0 to 70      | TL3844              |
| <a href="#">TL3844DR</a>   | Active        | Production           | SOIC (D)   14  | 2500   LARGE T&R      | Yes         | NIPDAU                               | Level-1-260C-UNLIM                | 0 to 70      | TL3844              |
| <a href="#">TL3844DR-8</a> | Active        | Production           | SOIC (D)   8   | 2500   LARGE T&R      | Yes         | NIPDAU                               | Level-1-260C-UNLIM                | 0 to 70      | TL3844              |
| TL3844DR-8.A               | Active        | Production           | SOIC (D)   8   | 2500   LARGE T&R      | Yes         | NIPDAU                               | Level-1-260C-UNLIM                | 0 to 70      | TL3844              |
| TL3844DR.A                 | Active        | Production           | SOIC (D)   14  | 2500   LARGE T&R      | Yes         | NIPDAU                               | Level-1-260C-UNLIM                | 0 to 70      | TL3844              |
| <a href="#">TL3844P</a>    | Active        | Production           | PDIP (P)   8   | 50   TUBE             | Yes         | NIPDAU                               | N/A for Pkg Type                  | 0 to 70      | TL3844P             |

| Orderable part number      | Status<br>(1) | Material type<br>(2) | Package   Pins | Package qty   Carrier | RoHS<br>(3) | Lead finish/<br>Ball material<br>(4) | MSL rating/<br>Peak reflow<br>(5) | Op temp (°C) | Part marking<br>(6) |
|----------------------------|---------------|----------------------|----------------|-----------------------|-------------|--------------------------------------|-----------------------------------|--------------|---------------------|
| TL3844P.A                  | Active        | Production           | PDIP (P)   8   | 50   TUBE             | Yes         | NIPDAU                               | N/A for Pkg Type                  | 0 to 70      | TL3844P             |
| TL3844PE4                  | Active        | Production           | PDIP (P)   8   | 50   TUBE             | Yes         | NIPDAU                               | N/A for Pkg Type                  | 0 to 70      | TL3844P             |
| <a href="#">TL3845D</a>    | Active        | Production           | SOIC (D)   14  | 50   TUBE             | Yes         | NIPDAU                               | Level-1-260C-UNLIM                | 0 to 70      | TL3845              |
| <a href="#">TL3845D-8</a>  | Obsolete      | Production           | SOIC (D)   8   | -                     | -           | Call TI                              | Call TI                           | 0 to 70      | TL3845              |
| TL3845D.A                  | Active        | Production           | SOIC (D)   14  | 50   TUBE             | Yes         | NIPDAU                               | Level-1-260C-UNLIM                | 0 to 70      | TL3845              |
| <a href="#">TL3845DR</a>   | Active        | Production           | SOIC (D)   14  | 2500   LARGE T&R      | Yes         | NIPDAU                               | Level-1-260C-UNLIM                | 0 to 70      | TL3845              |
| <a href="#">TL3845DR-8</a> | Active        | Production           | SOIC (D)   8   | 2500   LARGE T&R      | Yes         | NIPDAU                               | Level-1-260C-UNLIM                | 0 to 70      | TL3845              |
| TL3845DR-8.A               | Active        | Production           | SOIC (D)   8   | 2500   LARGE T&R      | Yes         | NIPDAU                               | Level-1-260C-UNLIM                | 0 to 70      | TL3845              |
| TL3845DR.A                 | Active        | Production           | SOIC (D)   14  | 2500   LARGE T&R      | Yes         | NIPDAU                               | Level-1-260C-UNLIM                | 0 to 70      | TL3845              |
| <a href="#">TL3845P</a>    | Active        | Production           | PDIP (P)   8   | 50   TUBE             | Yes         | NIPDAU                               | N/A for Pkg Type                  | 0 to 70      | TL3845P             |
| TL3845P.A                  | Active        | Production           | PDIP (P)   8   | 50   TUBE             | Yes         | NIPDAU                               | N/A for Pkg Type                  | 0 to 70      | TL3845P             |
| TL3845PE4                  | Active        | Production           | PDIP (P)   8   | 50   TUBE             | Yes         | NIPDAU                               | N/A for Pkg Type                  | 0 to 70      | TL3845P             |

(1) **Status:** For more details on status, see our [product life cycle](#).

(2) **Material type:** When designated, preproduction parts are prototypes/experimental devices, and are not yet approved or released for full production. Testing and final process, including without limitation quality assurance, reliability performance testing, and/or process qualification, may not yet be complete, and this item is subject to further changes or possible discontinuation. If available for ordering, purchases will be subject to an additional waiver at checkout, and are intended for early internal evaluation purposes only. These items are sold without warranties of any kind.

(3) **RoHS values:** Yes, No, RoHS Exempt. See the [TI RoHS Statement](#) for additional information and value definition.

(4) **Lead finish/Ball material:** Parts may have multiple material finish options. Finish options are separated by a vertical ruled line. Lead finish/Ball material values may wrap to two lines if the finish value exceeds the maximum column width.

(5) **MSL rating/Peak reflow:** The moisture sensitivity level ratings and peak solder (reflow) temperatures. In the event that a part has multiple moisture sensitivity ratings, only the lowest level per JEDEC standards is shown. Refer to the shipping label for the actual reflow temperature that will be used to mount the part to the printed circuit board.

(6) **Part marking:** There may be an additional marking, which relates to the logo, the lot trace code information, or the environmental category of the part.

Multiple part markings will be inside parentheses. Only one part marking contained in parentheses and separated by a "~" will appear on a part. If a line is indented then it is a continuation of the previous line and the two combined represent the entire part marking for that device.

**Important Information and Disclaimer:** The information provided on this page represents TI's knowledge and belief as of the date that it is provided. TI bases its knowledge and belief on information provided by third parties, and makes no representation or warranty as to the accuracy of such information. Efforts are underway to better integrate information from third parties. TI has taken and continues to take reasonable steps to provide representative and accurate information but may not have conducted destructive testing or chemical analysis on incoming materials and chemicals. TI and TI suppliers consider certain information to be proprietary, and thus CAS numbers and other limited information may not be available for release.

In no event shall TI's liability arising out of such information exceed the total purchase price of the TI part(s) at issue in this document sold by TI to Customer on an annual basis.

**TAPE AND REEL INFORMATION**

**QUADRANT ASSIGNMENTS FOR PIN 1 ORIENTATION IN TAPE**


\*All dimensions are nominal

| Device     | Package Type | Package Drawing | Pins | SPQ  | Reel Diameter (mm) | Reel Width W1 (mm) | A0 (mm) | B0 (mm) | K0 (mm) | P1 (mm) | W (mm) | Pin1 Quadrant |
|------------|--------------|-----------------|------|------|--------------------|--------------------|---------|---------|---------|---------|--------|---------------|
| TL2842DR   | SOIC         | D               | 14   | 2500 | 330.0              | 16.4               | 6.5     | 9.0     | 2.1     | 8.0     | 16.0   | Q1            |
| TL2842DR-8 | SOIC         | D               | 8    | 2500 | 330.0              | 12.4               | 6.4     | 5.2     | 2.1     | 8.0     | 12.0   | Q1            |
| TL2843DR   | SOIC         | D               | 14   | 2500 | 330.0              | 16.4               | 6.5     | 9.0     | 2.1     | 8.0     | 16.0   | Q1            |
| TL2843DR-8 | SOIC         | D               | 8    | 2500 | 330.0              | 12.4               | 6.4     | 5.2     | 2.1     | 8.0     | 12.0   | Q1            |
| TL2844DR   | SOIC         | D               | 14   | 2500 | 330.0              | 16.4               | 6.5     | 9.0     | 2.1     | 8.0     | 16.0   | Q1            |
| TL2844DR-8 | SOIC         | D               | 8    | 2500 | 330.0              | 12.4               | 6.4     | 5.2     | 2.1     | 8.0     | 12.0   | Q1            |
| TL2845DR   | SOIC         | D               | 14   | 2500 | 330.0              | 16.4               | 6.5     | 9.0     | 2.1     | 8.0     | 16.0   | Q1            |
| TL2845DR-8 | SOIC         | D               | 8    | 2500 | 330.0              | 12.4               | 6.4     | 5.2     | 2.1     | 8.0     | 12.0   | Q1            |
| TL3842DR   | SOIC         | D               | 14   | 2500 | 330.0              | 16.4               | 6.5     | 9.0     | 2.1     | 8.0     | 16.0   | Q1            |
| TL3842DR-8 | SOIC         | D               | 8    | 2500 | 330.0              | 12.4               | 6.4     | 5.2     | 2.1     | 8.0     | 12.0   | Q1            |
| TL3843DR   | SOIC         | D               | 14   | 2500 | 330.0              | 16.4               | 6.5     | 9.0     | 2.1     | 8.0     | 16.0   | Q1            |
| TL3843DR-8 | SOIC         | D               | 8    | 2500 | 330.0              | 12.4               | 6.4     | 5.2     | 2.1     | 8.0     | 12.0   | Q1            |
| TL3844DR   | SOIC         | D               | 14   | 2500 | 330.0              | 16.4               | 6.5     | 9.0     | 2.1     | 8.0     | 16.0   | Q1            |
| TL3844DR-8 | SOIC         | D               | 8    | 2500 | 330.0              | 12.4               | 6.4     | 5.2     | 2.1     | 8.0     | 12.0   | Q1            |
| TL3845DR   | SOIC         | D               | 14   | 2500 | 330.0              | 16.4               | 6.5     | 9.0     | 2.1     | 8.0     | 16.0   | Q1            |
| TL3845DR-8 | SOIC         | D               | 8    | 2500 | 330.0              | 12.4               | 6.4     | 5.2     | 2.1     | 8.0     | 12.0   | Q1            |

**TAPE AND REEL BOX DIMENSIONS**


\*All dimensions are nominal

| Device     | Package Type | Package Drawing | Pins | SPQ  | Length (mm) | Width (mm) | Height (mm) |
|------------|--------------|-----------------|------|------|-------------|------------|-------------|
| TL2842DR   | SOIC         | D               | 14   | 2500 | 353.0       | 353.0      | 32.0        |
| TL2842DR-8 | SOIC         | D               | 8    | 2500 | 353.0       | 353.0      | 32.0        |
| TL2843DR   | SOIC         | D               | 14   | 2500 | 353.0       | 353.0      | 32.0        |
| TL2843DR-8 | SOIC         | D               | 8    | 2500 | 353.0       | 353.0      | 32.0        |
| TL2844DR   | SOIC         | D               | 14   | 2500 | 353.0       | 353.0      | 32.0        |
| TL2844DR-8 | SOIC         | D               | 8    | 2500 | 353.0       | 353.0      | 32.0        |
| TL2845DR   | SOIC         | D               | 14   | 2500 | 353.0       | 353.0      | 32.0        |
| TL2845DR-8 | SOIC         | D               | 8    | 2500 | 353.0       | 353.0      | 32.0        |
| TL3842DR   | SOIC         | D               | 14   | 2500 | 353.0       | 353.0      | 32.0        |
| TL3842DR-8 | SOIC         | D               | 8    | 2500 | 353.0       | 353.0      | 32.0        |
| TL3843DR   | SOIC         | D               | 14   | 2500 | 353.0       | 353.0      | 32.0        |
| TL3843DR-8 | SOIC         | D               | 8    | 2500 | 353.0       | 353.0      | 32.0        |
| TL3844DR   | SOIC         | D               | 14   | 2500 | 353.0       | 353.0      | 32.0        |
| TL3844DR-8 | SOIC         | D               | 8    | 2500 | 353.0       | 353.0      | 32.0        |
| TL3845DR   | SOIC         | D               | 14   | 2500 | 353.0       | 353.0      | 32.0        |
| TL3845DR-8 | SOIC         | D               | 8    | 2500 | 353.0       | 353.0      | 32.0        |

**TUBE**


\*All dimensions are nominal

| Device    | Package Name | Package Type | Pins | SPQ | L (mm) | W (mm) | T (µm) | B (mm) |
|-----------|--------------|--------------|------|-----|--------|--------|--------|--------|
| TL2842P   | P            | PDIP         | 8    | 50  | 506    | 13.97  | 11230  | 4.32   |
| TL2842P.A | P            | PDIP         | 8    | 50  | 506    | 13.97  | 11230  | 4.32   |
| TL2843P   | P            | PDIP         | 8    | 50  | 506    | 13.97  | 11230  | 4.32   |
| TL2843P.A | P            | PDIP         | 8    | 50  | 506    | 13.97  | 11230  | 4.32   |
| TL2844P   | P            | PDIP         | 8    | 50  | 506    | 13.97  | 11230  | 4.32   |
| TL2844P.A | P            | PDIP         | 8    | 50  | 506    | 13.97  | 11230  | 4.32   |
| TL2844PE4 | P            | PDIP         | 8    | 50  | 506    | 13.97  | 11230  | 4.32   |
| TL2845P   | P            | PDIP         | 8    | 50  | 506    | 13.97  | 11230  | 4.32   |
| TL2845P.A | P            | PDIP         | 8    | 50  | 506    | 13.97  | 11230  | 4.32   |
| TL3842P   | P            | PDIP         | 8    | 50  | 506    | 13.97  | 11230  | 4.32   |
| TL3842P.A | P            | PDIP         | 8    | 50  | 506    | 13.97  | 11230  | 4.32   |
| TL3842PE4 | P            | PDIP         | 8    | 50  | 506    | 13.97  | 11230  | 4.32   |
| TL3843P   | P            | PDIP         | 8    | 50  | 506    | 13.97  | 11230  | 4.32   |
| TL3843P.A | P            | PDIP         | 8    | 50  | 506    | 13.97  | 11230  | 4.32   |
| TL3844P   | P            | PDIP         | 8    | 50  | 506    | 13.97  | 11230  | 4.32   |
| TL3844P.A | P            | PDIP         | 8    | 50  | 506    | 13.97  | 11230  | 4.32   |
| TL3844PE4 | P            | PDIP         | 8    | 50  | 506    | 13.97  | 11230  | 4.32   |
| TL3845D   | D            | SOIC         | 14   | 50  | 506.6  | 8      | 3940   | 4.32   |
| TL3845D.A | D            | SOIC         | 14   | 50  | 506.6  | 8      | 3940   | 4.32   |
| TL3845P   | P            | PDIP         | 8    | 50  | 506    | 13.97  | 11230  | 4.32   |
| TL3845P.A | P            | PDIP         | 8    | 50  | 506    | 13.97  | 11230  | 4.32   |
| TL3845PE4 | P            | PDIP         | 8    | 50  | 506    | 13.97  | 11230  | 4.32   |

D0014A



# PACKAGE OUTLINE

SOIC - 1.75 mm max height

SMALL OUTLINE INTEGRATED CIRCUIT



NOTES:

1. All linear dimensions are in millimeters. Dimensions in parenthesis are for reference only. Dimensioning and tolerancing per ASME Y14.5M.
2. This drawing is subject to change without notice.
3. This dimension does not include mold flash, protrusions, or gate burrs. Mold flash, protrusions, or gate burrs shall not exceed 0.15 mm, per side.
4. This dimension does not include interlead flash. Interlead flash shall not exceed 0.43 mm, per side.
5. Reference JEDEC registration MS-012, variation AB.

# EXAMPLE BOARD LAYOUT

D0014A

SOIC - 1.75 mm max height

SMALL OUTLINE INTEGRATED CIRCUIT



LAND PATTERN EXAMPLE  
SCALE:8X



SOLDER MASK DETAILS

4220718/A 09/2016

NOTES: (continued)

- 6. Publication IPC-7351 may have alternate designs.
- 7. Solder mask tolerances between and around signal pads can vary based on board fabrication site.

# EXAMPLE STENCIL DESIGN

D0014A

SOIC - 1.75 mm max height

SMALL OUTLINE INTEGRATED CIRCUIT



SOLDER PASTE EXAMPLE  
BASED ON 0.125 mm THICK STENCIL  
SCALE:8X

4220718/A 09/2016

NOTES: (continued)

8. Laser cutting apertures with trapezoidal walls and rounded corners may offer better paste release. IPC-7525 may have alternate design recommendations.
9. Board assembly site may have different recommendations for stencil design.



D0008A

# PACKAGE OUTLINE

SOIC - 1.75 mm max height

SMALL OUTLINE INTEGRATED CIRCUIT



4214825/C 02/2019

### NOTES:

1. Linear dimensions are in inches [millimeters]. Dimensions in parenthesis are for reference only. Controlling dimensions are in inches. Dimensioning and tolerancing per ASME Y14.5M.
2. This drawing is subject to change without notice.
3. This dimension does not include mold flash, protrusions, or gate burrs. Mold flash, protrusions, or gate burrs shall not exceed  $.006$  [0.15] per side.
4. This dimension does not include interlead flash.
5. Reference JEDEC registration MS-012, variation AA.

# EXAMPLE BOARD LAYOUT

D0008A

SOIC - 1.75 mm max height

SMALL OUTLINE INTEGRATED CIRCUIT



LAND PATTERN EXAMPLE  
 EXPOSED METAL SHOWN  
 SCALE:8X



SOLDER MASK DETAILS

4214825/C 02/2019

NOTES: (continued)

- 6. Publication IPC-7351 may have alternate designs.
- 7. Solder mask tolerances between and around signal pads can vary based on board fabrication site.

# EXAMPLE STENCIL DESIGN

D0008A

SOIC - 1.75 mm max height

SMALL OUTLINE INTEGRATED CIRCUIT



SOLDER PASTE EXAMPLE  
BASED ON .005 INCH [0.125 MM] THICK STENCIL  
SCALE:8X

4214825/C 02/2019

NOTES: (continued)

8. Laser cutting apertures with trapezoidal walls and rounded corners may offer better paste release. IPC-7525 may have alternate design recommendations.
9. Board assembly site may have different recommendations for stencil design.

P (R-PDIP-T8)

PLASTIC DUAL-IN-LINE PACKAGE



- NOTES:
- A. All linear dimensions are in inches (millimeters).
  - B. This drawing is subject to change without notice.
  - C. Falls within JEDEC MS-001 variation BA.

## 重要通知和免责声明

TI“按原样”提供技术和可靠性数据（包括数据表）、设计资源（包括参考设计）、应用或其他设计建议、网络工具、安全信息和其他资源，不保证没有瑕疵且不做任何明示或暗示的担保，包括但不限于对适销性、与某特定用途的适用性或不侵犯任何第三方知识产权的暗示担保。

这些资源可供使用 TI 产品进行设计的熟练开发人员使用。您将自行承担以下全部责任：(1) 针对您的应用选择合适的 TI 产品，(2) 设计、验证并测试您的应用，(3) 确保您的应用满足相应标准以及任何其他安全、安保法规或其他要求。

这些资源如有变更，恕不另行通知。TI 授权您仅可将这些资源用于研发本资源所述的 TI 产品的相关应用。严禁以其他方式对这些资源进行复制或展示。您无权使用任何其他 TI 知识产权或任何第三方知识产权。对于因您对这些资源的使用而对 TI 及其代表造成的任何索赔、损害、成本、损失和债务，您将全额赔偿，TI 对此概不负责。

TI 提供的产品受 [TI 销售条款](#)、[TI 通用质量指南](#) 或 [ti.com](#) 上其他适用条款或 TI 产品随附的其他适用条款的约束。TI 提供这些资源并不会扩展或以其他方式更改 TI 针对 TI 产品发布的适用的担保或担保免责声明。除非德州仪器 (TI) 明确将某产品指定为定制产品或客户特定产品，否则其产品均为按确定价格收入目录的标准通用器件。

TI 反对并拒绝您可能提出的任何其他或不同的条款。

版权所有 © 2026，德州仪器 (TI) 公司

最后更新日期：2025 年 10 月