

## SN75179B 差分驱动器和接收器对

### 1 特性

- 符合或超出 TIA/EIA-422-B、TIA/EIA-485-A 和 ITU Recommendation V.11 的要求
- 总线电压范围：-7V 至 12V
- 正负电流限制
- 驱动器输出能力：60mA (最大值)
- 驱动器热关断保护
- 接收器输入阻抗：12kΩ (最小值)
- 接收器输入灵敏度：±200mV
- 接收器输入迟滞：50mV (典型值)
- 由 5V 单电源供电
- 低功耗要求

### 2 说明

SN75179B 是一款差分驱动器和接收器对，专为平衡传输线路应用而设计，符合 TIA/EIA-422-B、TIA/EIA-485-A 和 ITU Recommendation V.11 的要求。该器件旨在提高长总线线路上全双工数据通信的性能。

SN75179B 驱动器输出可限制正电流和负电流。该接收器具有高输入阻抗、用于提高抗噪性的输入迟滞，以及在 -7V 至 12V 共模输入电压范围内 ±200mV 的输入灵敏度。该驱动器还提供热关断功能，避免出现线路故障状况。热关断设计为在约 150°C 的结温下发生。SN75179B 旨在驱动高达 60mA 的电流负载。

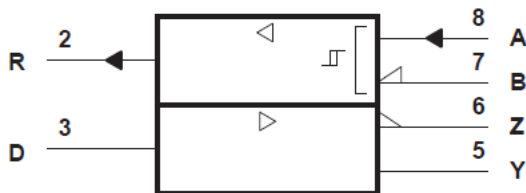
SN75179B 的工作温度范围是 0°C 至 70°C。

#### 封装信息

器件型号	封装 <sup>(1)</sup>	封装尺寸 <sup>(2)</sup>
SN75179B	D (SOIC)	4.9mm x 6mm
	P (PDIP)	9.81mm x 9.43mm
	PS (SOP)	6.2mm x 7.8mm

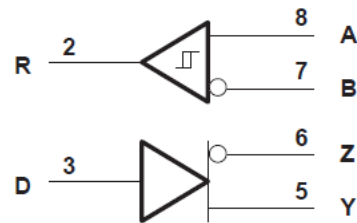
(1) 有关所有可用封装，请参阅节 9。

(2) 封装尺寸 (长 × 宽) 为标称值，并包括引脚 (如适用)。



A. 此符号符合 ANSI/IEEE 标准 91-1984 和 IEC 出版物 617-12。

逻辑符号



逻辑图 (正逻辑)



## Table of Contents

<b>1 特性</b> .....	<b>1</b>	<b>5 Parameter Measurement Information</b> .....	<b>9</b>
<b>2 说明</b> .....	<b>1</b>	<b>6 Detailed Description</b> .....	<b>10</b>
<b>3 Pin Configuration and Functions</b> .....	<b>3</b>	6.1 Functional Block Diagram.....	10
<b>4 Specifications</b> .....	<b>4</b>	6.2 Device Functional Modes.....	11
4.1 Absolute Maximum Ratings.....	4	<b>7 Device and Documentation Support</b> .....	<b>12</b>
4.2 Recommended Operating Conditions.....	4	7.1 Documentation Support.....	12
4.3 Thermal Information.....	4	7.2 接收文档更新通知.....	12
4.4 Electrical Characteristics: Driver.....	5	7.3 支持资源.....	12
4.5 Switching Characteristics.....	5	7.4 Trademarks.....	12
4.6 Symbol Equivalent.....	5	7.5 静电放电警告.....	12
4.7 Electrical Characteristics: Receiver.....	6	7.6 术语表.....	12
4.8 Switching Characteristics.....	6	<b>8 Revision History</b> .....	<b>12</b>
4.9 Typical Characteristics.....	7	<b>9 Mechanical, Packaging, and Orderable Information</b> ..	<b>12</b>

### 3 Pin Configuration and Functions

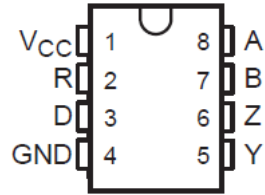


图 3-1. D, PS, or P Package  
Top View

表 3-1. Pin Functions

PIN		TYPE <sup>(1)</sup>	DESCRIPTION
NAME	NO.		
1	V <sub>CC</sub>	P	5V Voltage Supply
2	R	O	RS485 Logic Output
3	D	I	RS485 Logic Input
4	GND	G	Ground
5	Y	O	Non-Inverting RS485 Bus Output
6	Z	O	Inverted RS485 Bus Output
7	B	I	Inverted RS485 Bus Input
8	A	I	Non-Inverting RS485 Bus Input

(1) I = Input, O = Output, I/O = Input or Output, G = Ground, P = Power.

## 4 Specifications

### 4.1 Absolute Maximum Ratings

over operating free-air temperature range (unless otherwise noted)<sup>(1)</sup>

		MIN	MAX	UNIT
V <sub>CC</sub>	Supply voltage <sup>(2)</sup>		7	V
	Voltage range at any bus terminal	- 10	15	V
V <sub>ID</sub>	Differential input voltage <sup>(3)</sup>		±25	V
T <sub>stg</sub>	Storage temperature	- 65	150	°C

- (1) Stresses beyond those listed under *Absolute Maximum Ratings* may cause permanent damage to the device. These are stress ratings only, which do not imply functional operation of the device at these or any other conditions beyond those indicated under *Recommended Operating Conditions*. Exposure to absolute-maximum-rated conditions for extended periods may affect device reliability.
- (2) All voltage values are with respect to network ground terminal.
- (3) Differential input voltage is measured at the noninverting input with respect to the corresponding inverting input.

### 4.2 Recommended Operating Conditions

over operating free-air temperature range (unless otherwise noted)

			MIN	NOM	MAX	UNIT
V <sub>CC</sub>	Supply voltage		4.75	5	5.25	V
V <sub>IH</sub>	High-level input voltage	Driver	2			V
V <sub>IL</sub>	Low-level input voltage	Driver			0.8	V
V <sub>IC</sub>	Common-mode input voltage		- 7 <sup>(1)</sup>		12	V
V <sub>ID</sub>	Differential input voltage,				±12	V
I <sub>OH</sub>	High level output current	Driver			- 60	mA
		Receiver			- 400	µA
I <sub>OL</sub>	Low level output current	Driver			60	mA
		Receiver			8	mA
T <sub>A</sub>	Operating free-air temperature		0		70	°C

- (1) The algebraic convention, where the less positive (more negative) limit is designated minimum, is used in this data sheet for common-mode input voltage and threshold voltage.

### 4.3 Thermal Information

THERMAL METRIC <sup>(1)</sup>		SOIC (D)	PDIP (P)	SOP (PS)	UNIT
		8 PINS	8 PINS	8 PINS	
R <sub>θJA</sub>	Junction-to-ambient thermal resistance	116.7	109.5	84.3	°C/W
R <sub>θJC(top)</sub>	Junction-to-case (top) thermal resistance	56.3	53.9	65.4	
R <sub>θJB</sub>	Junction-to-board thermal resistance	63.4	65.7	62.1	
ψ <sub>JT</sub>	Junction-to-top characterization parameter	8.8	11.6	31.3	
ψ <sub>JB</sub>	Junction-to-board characterization parameter	62.6	64.5	60.4	
R <sub>θJC(bot)</sub>	Junction-to-case (bottom) thermal resistance	N/A	N/A	N/A	

- (1) For more information about traditional and new thermal metrics, see the [Semiconductor and IC package thermal metrics](#) application report.

## 4.4 Electrical Characteristics: Driver

over recommended ranges of supply voltage and operating free-air temperature (unless otherwise noted)

PARAMETER		TEST CONDITIONS		MIN	TYP <sup>(1)</sup>	MAX	UNIT
V <sub>IK</sub>	Input clamp voltage	I <sub>I</sub> = -18mA				-1.5	V
V <sub>O</sub>	Output voltage	I <sub>O</sub> = 0		0		6	V
V <sub>OD1</sub>	Differential output voltage	I <sub>O</sub> = 0		1.5		6	V
V <sub>OD2</sub>	Differential output voltage	R <sub>L</sub> = 100 Ω	See 图 5-1	1/2 V <sub>OD1</sub> 2 <sup>(2)</sup>			V
		R <sub>L</sub> = 54 Ω	See 图 5-1	1.5	2.5	5	V
V <sub>OD3</sub>	Differential output voltage	See (4)		1.5		5	V
Δ V <sub>OD</sub>	Change in magnitude of differential output voltage					±0.2	V
V <sub>OC</sub>	Common mode output voltage	R <sub>L</sub> = 54 Ω or 100 Ω,	See 图 5-1	3			V
				-1			
Δ V <sub>OC</sub>	Change in magnitude of common-mode output voltage <sup>(3)</sup>					±0.2	V
I <sub>O</sub>	Output current	V <sub>CC</sub> = 0	V <sub>O</sub> = -7V to 12V			±100	μA
I <sub>IH</sub>	High-level input current	V <sub>IH</sub> = 2.4V				20	μA
I <sub>IL</sub>	Low-level input current	V <sub>IL</sub> = 0.4V				-200	μA
I <sub>OS</sub>	Short circuit output current	V <sub>O</sub> = -7V				-250	mA
		V <sub>O</sub> = V <sub>CC</sub>				250	
		V <sub>O</sub> = 12V				250	
I <sub>CC</sub>	Supply current (total package)	No load			57	70	mA

(1) All typical values are at V<sub>CC</sub> = 5V and T<sub>A</sub> = 25°C.

(2) The minimum V<sub>OD2</sub> with 100Ω load is either 1/2 V<sub>OD2</sub> or 2V, whichever is greater

(3) Δ|V<sub>OD</sub>| and Δ|V<sub>OC</sub>| are the changes in magnitude of V<sub>OD</sub> and V<sub>OC</sub>, respectively, that occur when the input is changed from a high level to a low level.

(4) See TIA/EIA-485-A, Figure 3.5, Test Termination Measurement 2.

## 4.5 Switching Characteristics

V<sub>CC</sub> = 5V, T<sub>A</sub> = 25°C

PARAMETER		TEST CONDITIONS		MIN	TYP	MAX	UNIT
t <sub>d(OD)</sub>	Differential output delay time	R <sub>L</sub> = 54 Ω	See 图 5-3		15	22	ns
t <sub>t(OD)</sub>	Differential output transition time	R <sub>L</sub> = 54 Ω	See 图 5-3		20	30	ns

## 4.6 Symbol Equivalent

DATA-SHEET PARAMETER	TIA/EIA-422-B	TIA/EIA-485-A
V <sub>O</sub>	V <sub>oa</sub> , V <sub>ob</sub>	V <sub>oa</sub> , V <sub>ob</sub>
V <sub>OD1</sub>	V <sub>o</sub>	V <sub>o</sub>
V <sub>OD2</sub>	V <sub>t</sub> (R <sub>L</sub> = 100 Ω)	V <sub>t</sub> (R <sub>L</sub> = 54 Ω)
V <sub>OD3</sub>		V <sub>t</sub> (Test Termination Measurement 2)
D V <sub>OD</sub>	V <sub>t</sub>   -  V̄ <sub>t</sub>	V <sub>t</sub>   -  V̄ <sub>t</sub>
V <sub>OC</sub>	V <sub>os</sub>	V <sub>os</sub>
D V <sub>OC</sub>	V <sub>os</sub> - V̄ <sub>os</sub>	V <sub>os</sub> - V̄ <sub>os</sub>
I <sub>OS</sub>	I <sub>sa</sub>  ,  I <sub>sb</sub>	
I <sub>O</sub>	I <sub>xa</sub>  ,  I <sub>xb</sub>	I <sub>ia</sub> , I <sub>ib</sub>

## 4.7 Electrical Characteristics: Receiver

over recommended ranges of supply voltage and operating free-air temperature (unless otherwise noted)

PARAMETER		TEST CONDITIONS			MIN	TYP <sup>(1)</sup>	MAX	UNIT
$V_{IT+}$	Positive-going input threshold voltage	$V_O = 2.7V$	$I_O = -0.4mA$				0.2	V
$V_{IT-}$	Negative-going input threshold voltage	$V_O = 0.5V$	$I_O = 8mA$		0.2 <sup>(2)</sup>			V
$V_{hys}$	Hysteresis voltage ( $V_{IT+} - V_{IT-}$ )					50		mV
$V_{OH}$	High-level output voltage	$V_{ID} = 200mV$	$I_{OH} = -400\mu A$	See 图 5-2	2.7			V
$V_{OL}$	Low-level output voltage	$V_{ID} = -200mV$	$I_{OL} = 8mA$	See 图 5-2			0.45	V
$I_I$	Line input current	Other input at 0V	See <sup>(3)</sup>	$V_I = 12V$			1	mA
				$V_I = -7V$			-0.8	mA
$r_I$	Input resistance				12			k $\Omega$
$I_{OS}$	Short-circuit output current				-15		-85	mA
$I_{OS}$	Supply current (total package)	No load				57	70	mA

(1) All typical values are at  $V_{CC} = 5V$  and  $T_A = 25^\circ C$ .

(2) The algebraic convention, where the less positive (more negative) limit is designated minimum, is used in this data sheet for common-mode input voltage and threshold voltage levels only.

(3) See TIA/EIA-422-B for exact conditions.

## 4.8 Switching Characteristics

$V_{CC} = 5V$ ,  $T_A = 25^\circ C$

PARAMETER		TEST CONDITIONS		MIN	TYP	MAX	UNIT
$t_{PLH}$	Propagation delay time, low- to high-level output	$V_{ID} = -1.5V$ to $1.5V$			19	35	ns
$t_{PHL}$	Propagation delay time, high- to low-level output	$C_L = 15pF$	See 图 5-4		30	40	ns

### 4.9 Typical Characteristics

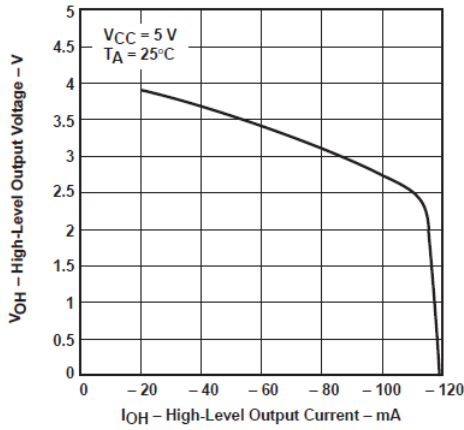


图 4-1. Driver High-Level Output Voltage vs High-Level Output Current

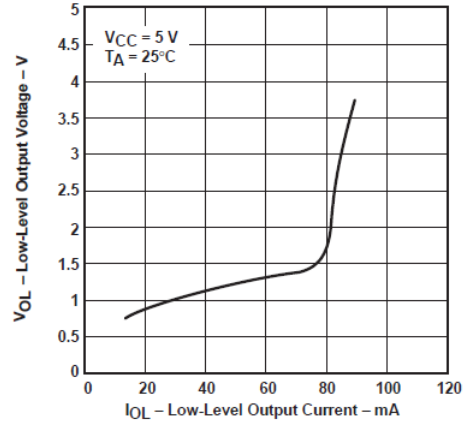


图 4-2. Driver Low-Level Output Voltage vs Low-Level Output Current

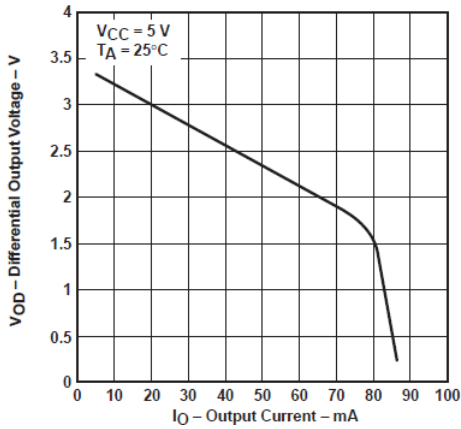


图 4-3. Driver Differential Output Voltage vs Output Current

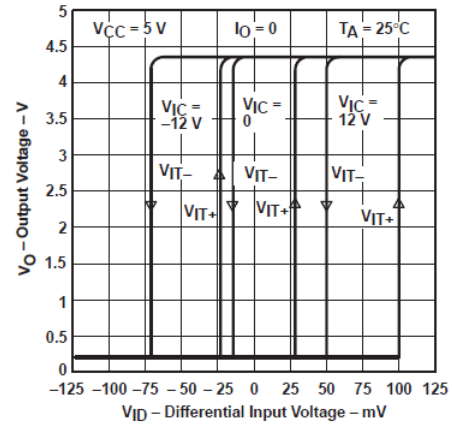


图 4-4. Receiver Output Voltage vs Differential Input Voltage

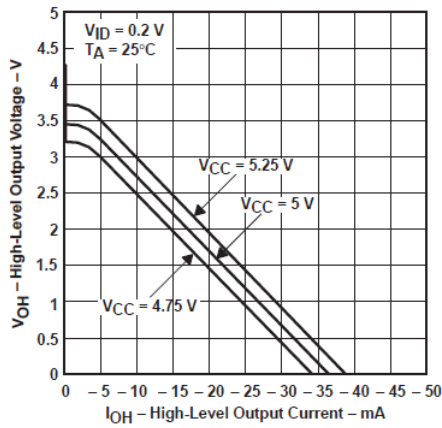


图 4-5. High-Level Output Voltage vs High-Level Output Current

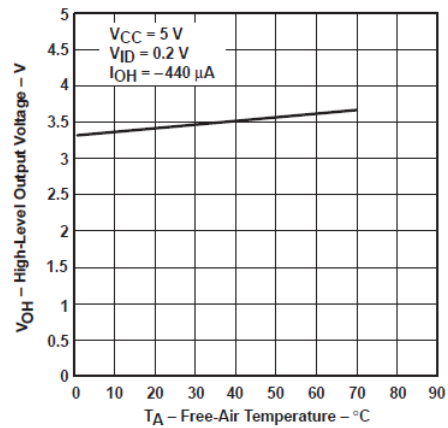


图 4-6. High-Level Output Voltage vs Free-Air Temperature

### 4.9 Typical Characteristics (continued)

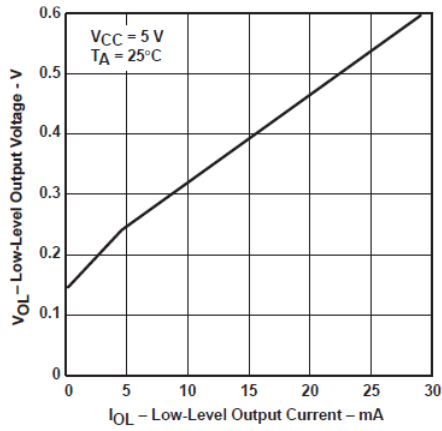


图 4-7. Receiver Low-Level Output Voltage vs Low-Level Output Current

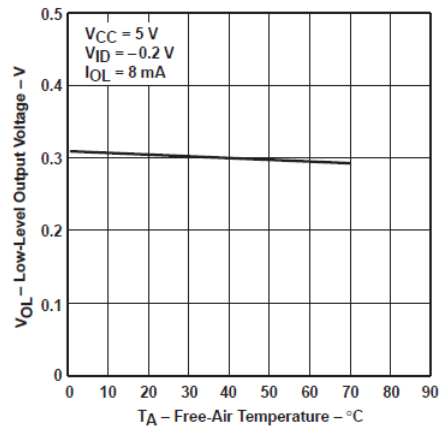


图 4-8. Receiver Low-Level Output Voltage vs Free-Air Temperature

## 5 Parameter Measurement Information

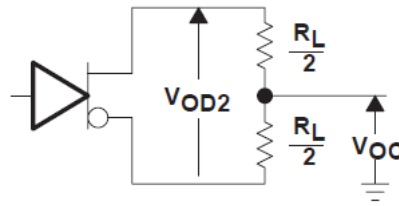


图 5-1. Driver  $V_{DD}$  and  $V_{OC}$

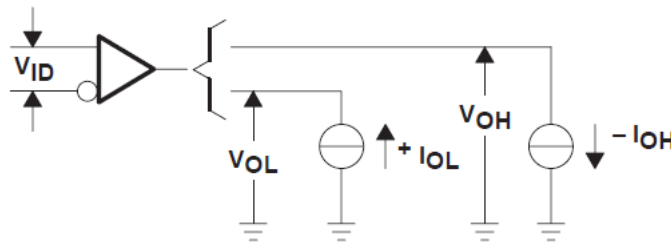
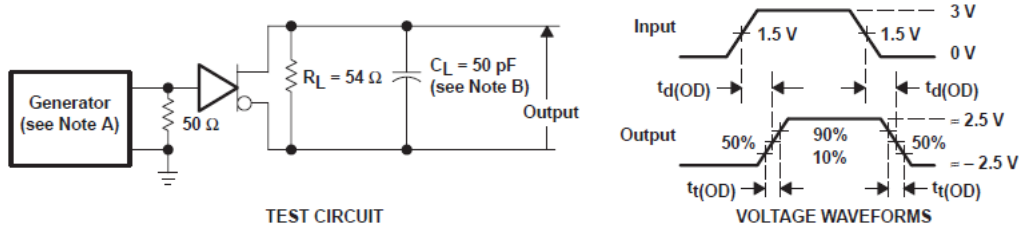
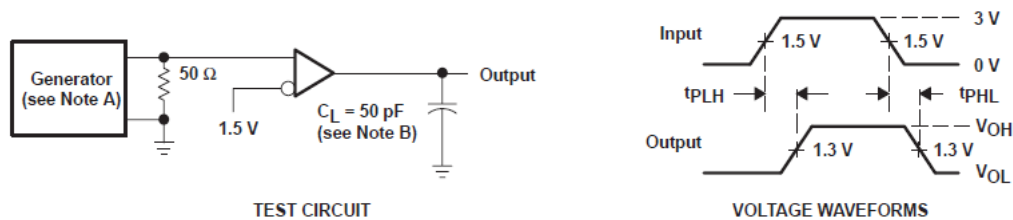


图 5-2. Receiver  $V_{OH}$  and  $V_{OL}$



- A. The input pulse is supplied by a generator having the following characteristics:  $PRR \leq 1\text{MHz}$ , 50% duty cycle,  $t_r \leq 6\text{ns}$ ,  $t_f \leq 6\text{ns}$ ,  $Z_O = 50\ \Omega$ .
- B.  $C_L$  includes probe and jig capacitance.

图 5-3. Driver Test Circuit and Voltage Waveforms

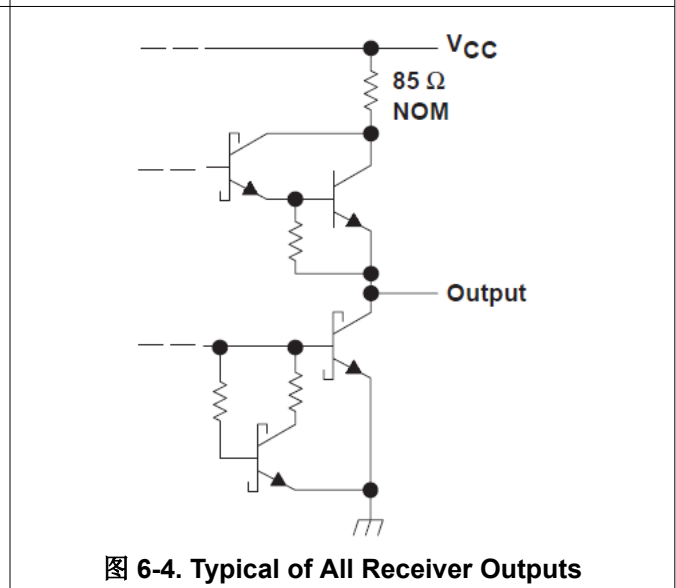
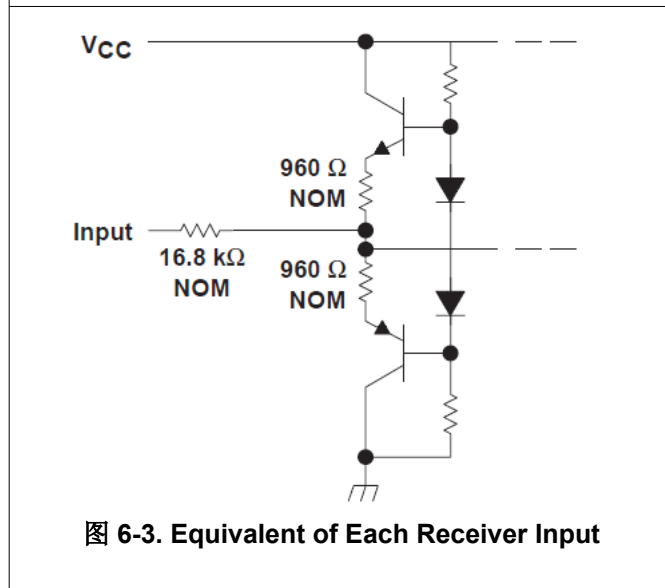
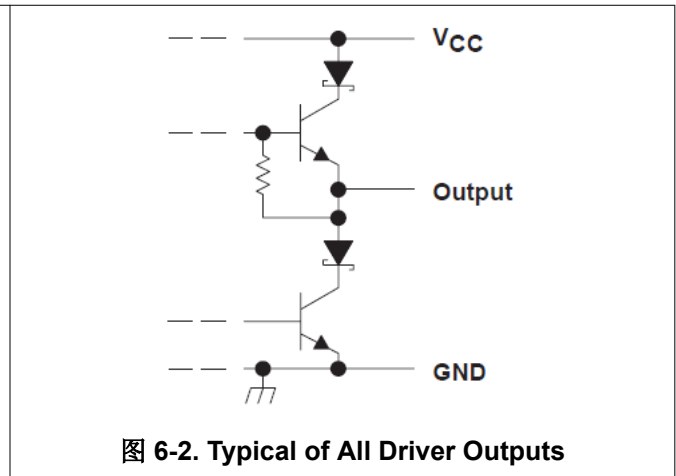
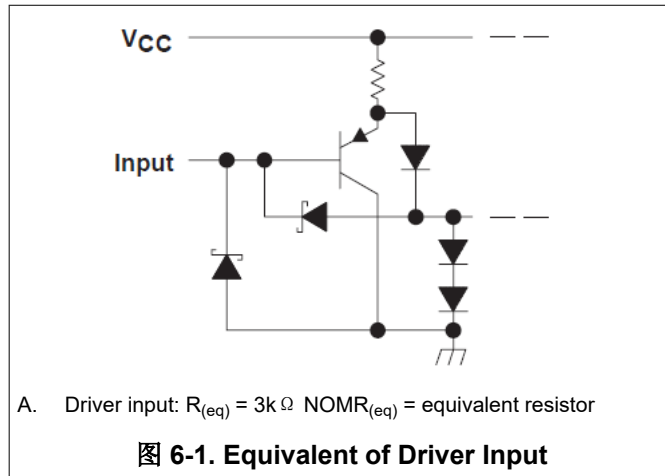


- A. The input pulse is supplied by a generator having the following characteristics:  $PRR \leq 1\text{MHz}$ , 50% duty cycle,  $t_r \leq 6\text{ns}$ ,  $t_f \leq 6\text{ns}$ ,  $Z_O = 50\ \Omega$ .
- B.  $C_L$  includes probe and jig capacitance.

图 5-4. Receiver Test Circuit and Voltage Waveforms

## 6 Detailed Description

### 6.1 Functional Block Diagram



## 6.2 Device Functional Modes

**表 6-1. Driver <sup>(1)</sup>**

INPUT D	OUTPUTS	
	Y	Z
H	H	L
L	L	H

(1) H = high level, L = low level, ? = indeterminate

**表 6-2. Receiver**

DIFFERENTIAL INPUTS A - B	OUTPUT <sup>(1)</sup> R
$V_{ID} \geq 0.2V$	H
$-0.2V < V_{ID} < 0.2V$	?
$V_{ID} \leq -0.2V$	L
Open	?

(1) H = high level, L = low level, ? = indeterminate

## 7 Device and Documentation Support

TI offers an extensive line of development tools. Tools and software to evaluate the performance of the device, generate code, and develop solutions are listed below.

### 7.1 Documentation Support

#### 7.1.1 Related Documentation

### 7.2 接收文档更新通知

要接收文档更新通知，请导航至 [ti.com](https://www.ti.com) 上的器件产品文件夹。点击 [通知](#) 进行注册，即可每周接收产品信息更改摘要。有关更改的详细信息，请查看任何已修订文档中包含的修订历史记录。

### 7.3 支持资源

TI E2E™ [中文支持论坛](#) 是工程师的重要参考资料，可直接从专家处获得快速、经过验证的解答和设计帮助。搜索现有解答或提出自己的问题，获得所需的快速设计帮助。

链接的内容由各个贡献者“按原样”提供。这些内容并不构成 TI 技术规范，并且不一定反映 TI 的观点；请参阅 TI 的 [使用条款](#)。

### 7.4 Trademarks

TI E2E™ is a trademark of Texas Instruments.

所有商标均为其各自所有者的财产。

### 7.5 静电放电警告



静电放电 (ESD) 会损坏这个集成电路。德州仪器 (TI) 建议通过适当的预防措施处理所有集成电路。如果不遵守正确的处理和安装程序，可能会损坏集成电路。

ESD 的损坏小至导致微小的性能降级，大至整个器件故障。精密的集成电路可能更容易受到损坏，这是因为非常细微的参数更改都可能会导致器件与其发布的规格不相符。

### 7.6 术语表

[TI 术语表](#) 本术语表列出并解释了术语、首字母缩略词和定义。

## 8 Revision History

注：以前版本的页码可能与当前版本的页码不同

Changes from Revision F (October 2022) to Revision G (April 2025)	Page
• 更新了 <a href="#">封装信息表</a> .....	1
• Changed the I <sub>OH</sub> driver max value from -602mA to -60mA in the <i>Recommended Operating Conditions</i> .....	4

Changes from Revision E (June 2008) to Revision F (October 2022)	Page
• 将数据表格式更改为最新的数据表格式.....	1
• Changed the <i>Thermal Information</i> table.....	4

## 9 Mechanical, Packaging, and Orderable Information

The following pages include mechanical, packaging, and orderable information. This information is the most current data available for the designated devices. This data is subject to change without notice and revision of this document. For browser-based versions of this data sheet, refer to the left-hand navigation.

**PACKAGING INFORMATION**

Orderable part number	Status (1)	Material type (2)	Package   Pins	Package qty   Carrier	RoHS (3)	Lead finish/ Ball material (4)	MSL rating/ Peak reflow (5)	Op temp (°C)	Part marking (6)
<a href="#">SN75179BD</a>	Obsolete	Production	SOIC (D)   8	-	Yes	NIPDAU	Level-1-260C-UNLIM	0 to 70	75179B
<a href="#">SN75179BDR</a>	Active	Production	SOIC (D)   8	2500   LARGE T&R	Yes	NIPDAU	Level-1-260C-UNLIM	0 to 70	75179B
SN75179BDR.A	Active	Production	SOIC (D)   8	2500   LARGE T&R	Yes	NIPDAU	Level-1-260C-UNLIM	0 to 70	75179B
SN75179BDRG4	Active	Production	SOIC (D)   8	2500   LARGE T&R	Yes	NIPDAU	Level-1-260C-UNLIM	0 to 70	75179B
<a href="#">SN75179BP</a>	Active	Production	PDIP (P)   8	50   TUBE	Yes	NIPDAU	N/A for Pkg Type	0 to 70	SN75179BP
SN75179BP.A	Active	Production	PDIP (P)   8	50   TUBE	Yes	NIPDAU	N/A for Pkg Type	0 to 70	SN75179BP
SN75179BPE4	Active	Production	PDIP (P)   8	50   TUBE	Yes	NIPDAU	N/A for Pkg Type	0 to 70	SN75179BP
<a href="#">SN75179BPSR</a>	Active	Production	SO (PS)   8	2000   LARGE T&R	Yes	NIPDAU	Level-1-260C-UNLIM	0 to 70	A179B
SN75179BPSR.A	Active	Production	SO (PS)   8	2000   LARGE T&R	Yes	NIPDAU	Level-1-260C-UNLIM	0 to 70	A179B

(1) **Status:** For more details on status, see our [product life cycle](#).

(2) **Material type:** When designated, preproduction parts are prototypes/experimental devices, and are not yet approved or released for full production. Testing and final process, including without limitation quality assurance, reliability performance testing, and/or process qualification, may not yet be complete, and this item is subject to further changes or possible discontinuation. If available for ordering, purchases will be subject to an additional waiver at checkout, and are intended for early internal evaluation purposes only. These items are sold without warranties of any kind.

(3) **RoHS values:** Yes, No, RoHS Exempt. See the [TI RoHS Statement](#) for additional information and value definition.

(4) **Lead finish/Ball material:** Parts may have multiple material finish options. Finish options are separated by a vertical ruled line. Lead finish/Ball material values may wrap to two lines if the finish value exceeds the maximum column width.

(5) **MSL rating/Peak reflow:** The moisture sensitivity level ratings and peak solder (reflow) temperatures. In the event that a part has multiple moisture sensitivity ratings, only the lowest level per JEDEC standards is shown. Refer to the shipping label for the actual reflow temperature that will be used to mount the part to the printed circuit board.

(6) **Part marking:** There may be an additional marking, which relates to the logo, the lot trace code information, or the environmental category of the part.

Multiple part markings will be inside parentheses. Only one part marking contained in parentheses and separated by a "-" will appear on a part. If a line is indented then it is a continuation of the previous line and the two combined represent the entire part marking for that device.

**Important Information and Disclaimer:**The information provided on this page represents TI's knowledge and belief as of the date that it is provided. TI bases its knowledge and belief on information provided by third parties, and makes no representation or warranty as to the accuracy of such information. Efforts are underway to better integrate information from third parties. TI has taken and continues to take reasonable steps to provide representative

and accurate information but may not have conducted destructive testing or chemical analysis on incoming materials and chemicals. TI and TI suppliers consider certain information to be proprietary, and thus CAS numbers and other limited information may not be available for release.

In no event shall TI's liability arising out of such information exceed the total purchase price of the TI part(s) at issue in this document sold by TI to Customer on an annual basis.

**TAPE AND REEL INFORMATION**

**QUADRANT ASSIGNMENTS FOR PIN 1 ORIENTATION IN TAPE**


\*All dimensions are nominal

Device	Package Type	Package Drawing	Pins	SPQ	Reel Diameter (mm)	Reel Width W1 (mm)	A0 (mm)	B0 (mm)	K0 (mm)	P1 (mm)	W (mm)	Pin1 Quadrant
SN75179BDR	SOIC	D	8	2500	330.0	12.4	6.4	5.2	2.1	8.0	12.0	Q1
SN75179BPSR	SO	PS	8	2000	330.0	16.4	8.35	6.6	2.4	12.0	16.0	Q1

**TAPE AND REEL BOX DIMENSIONS**


\*All dimensions are nominal

Device	Package Type	Package Drawing	Pins	SPQ	Length (mm)	Width (mm)	Height (mm)
SN75179BDR	SOIC	D	8	2500	353.0	353.0	32.0
SN75179BPSR	SO	PS	8	2000	353.0	353.0	32.0

**TUBE**


\*All dimensions are nominal

Device	Package Name	Package Type	Pins	SPQ	L (mm)	W (mm)	T (μm)	B (mm)
SN75179BD	D	SOIC	8	75	507	8	3940	4.32
SN75179BP	P	PDIP	8	50	506	13.97	11230	4.32
SN75179BP.A	P	PDIP	8	50	506	13.97	11230	4.32
SN75179BPE4	P	PDIP	8	50	506	13.97	11230	4.32



D0008A

# PACKAGE OUTLINE

SOIC - 1.75 mm max height

SMALL OUTLINE INTEGRATED CIRCUIT



4214825/C 02/2019

### NOTES:

- Linear dimensions are in inches [millimeters]. Dimensions in parenthesis are for reference only. Controlling dimensions are in inches. Dimensioning and tolerancing per ASME Y14.5M.
- This drawing is subject to change without notice.
- This dimension does not include mold flash, protrusions, or gate burrs. Mold flash, protrusions, or gate burrs shall not exceed  $.006$  [0.15] per side.
- This dimension does not include interlead flash.
- Reference JEDEC registration MS-012, variation AA.

# EXAMPLE BOARD LAYOUT

D0008A

SOIC - 1.75 mm max height

SMALL OUTLINE INTEGRATED CIRCUIT



LAND PATTERN EXAMPLE  
 EXPOSED METAL SHOWN  
 SCALE:8X



SOLDER MASK DETAILS

4214825/C 02/2019

NOTES: (continued)

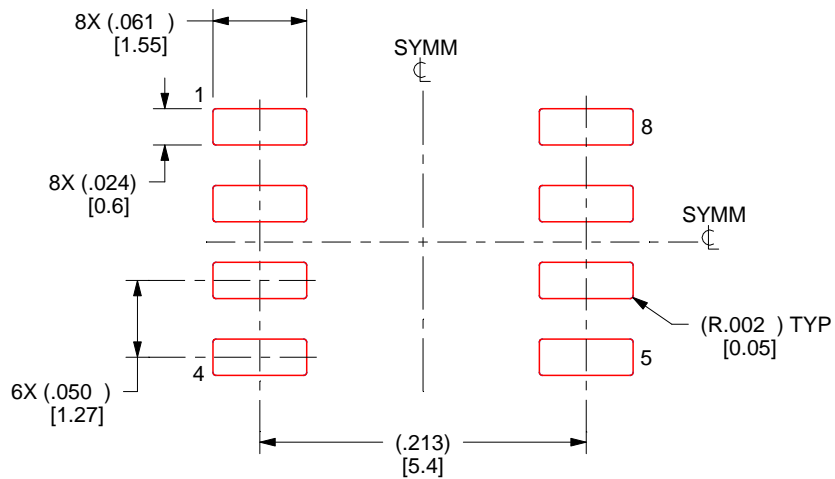
- 6. Publication IPC-7351 may have alternate designs.
- 7. Solder mask tolerances between and around signal pads can vary based on board fabrication site.

# EXAMPLE STENCIL DESIGN

D0008A

SOIC - 1.75 mm max height

SMALL OUTLINE INTEGRATED CIRCUIT



SOLDER PASTE EXAMPLE  
BASED ON .005 INCH [0.125 MM] THICK STENCIL  
SCALE:8X

4214825/C 02/2019

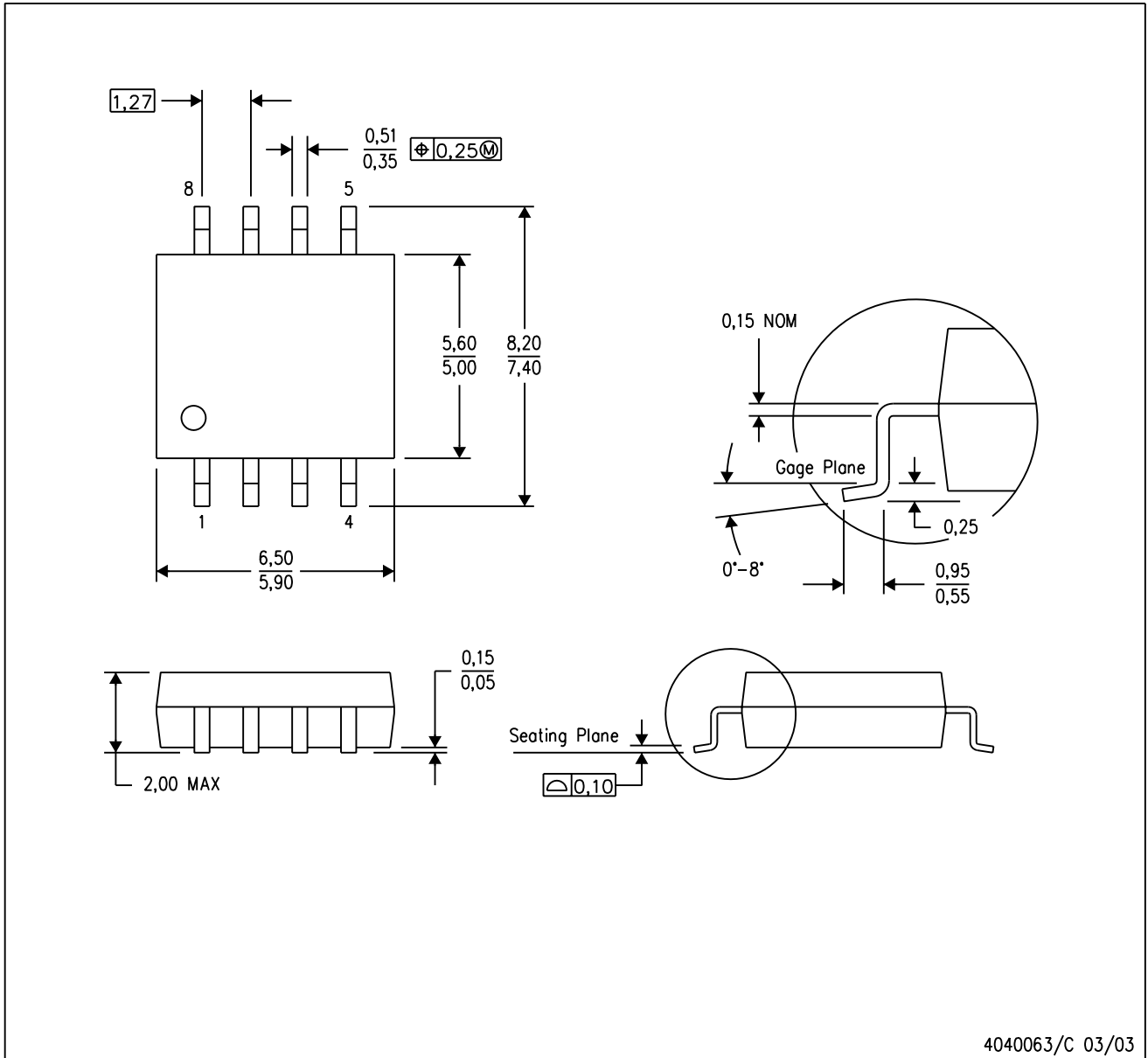
NOTES: (continued)

8. Laser cutting apertures with trapezoidal walls and rounded corners may offer better paste release. IPC-7525 may have alternate design recommendations.
9. Board assembly site may have different recommendations for stencil design.

## MECHANICAL DATA

PS (R-PDSO-G8)

PLASTIC SMALL-OUTLINE PACKAGE



- NOTES:
- A. All linear dimensions are in millimeters.
  - B. This drawing is subject to change without notice.
  - C. Body dimensions do not include mold flash or protrusion, not to exceed 0,15.

P (R-PDIP-T8)

PLASTIC DUAL-IN-LINE PACKAGE



- NOTES:
- A. All linear dimensions are in inches (millimeters).
  - B. This drawing is subject to change without notice.
  - C. Falls within JEDEC MS-001 variation BA.

## 重要通知和免责声明

TI“按原样”提供技术和可靠性数据（包括数据表）、设计资源（包括参考设计）、应用或其他设计建议、网络工具、安全信息和其他资源，不保证没有瑕疵且不做任何明示或暗示的担保，包括但不限于对适销性、与某特定用途的适用性或不侵犯任何第三方知识产权的暗示担保。

这些资源可供使用 TI 产品进行设计的熟练开发人员使用。您将自行承担以下全部责任：(1) 针对您的应用选择合适的 TI 产品，(2) 设计、验证并测试您的应用，(3) 确保您的应用满足相应标准以及任何其他安全、安保法规或其他要求。

这些资源如有变更，恕不另行通知。TI 授权您仅可将这些资源用于研发本资源所述的 TI 产品的相关应用。严禁以其他方式对这些资源进行复制或展示。您无权使用任何其他 TI 知识产权或任何第三方知识产权。对于因您对这些资源的使用而对 TI 及其代表造成的任何索赔、损害、成本、损失和债务，您将全额赔偿，TI 对此概不负责。

TI 提供的产品受 [TI 销售条款](#)、[TI 通用质量指南](#) 或 [ti.com](#) 上其他适用条款或 TI 产品随附的其他适用条款的约束。TI 提供这些资源并不会扩展或以其他方式更改 TI 针对 TI 产品发布的适用的担保或担保免责声明。除非德州仪器 (TI) 明确将某产品指定为定制产品或客户特定产品，否则其产品均为按确定价格收入目录的标准通用器件。

TI 反对并拒绝您可能提出的任何其他或不同的条款。

版权所有 © 2026，德州仪器 (TI) 公司

最后更新日期：2025 年 10 月