

SN74LVC8T245-EP 8-Bit Dual-Supply Bus Transceiver With Configurable Voltage Translation and Tri-State Outputs

1 Features

- Control Inputs V_{IH}/V_{IL} Levels Are Referenced to V_{CCA} Voltage
- V_{CC} Isolation Feature – If Either V_{CC} Input Is at GND, All Are in the High-Impedance State
- Fully Configurable Dual-Rail Design Allows Each Port to Operate Over the Full 1.65-V to 5.5-V Power-Supply Range
- Latch-Up Performance Exceeds 100 mA Per JESD 78, Class II
- ESD Protection Exceeds JESD 22
 - 4000-V Human-Body Model (A114-A)
 - 200-V Machine Model (A115-A)
 - 1000-V Charged-Device Model (C101)

2 Applications

- Controlled Baseline
- One Assembly/Test Site
- One Fabrication Site
- Available in Military (–55°C/125°C) Temperature Range ⁽¹⁾
- Extended Product Life Cycle
- Extended Product-Change Notification
- Product Traceability

3 Description

This 8-bit noninverting bus transceiver uses two separate configurable power-supply rails. The SN74LVC8T245-EP is optimized to operate with V_{CCA} and V_{CCB} set at 1.65 V to 5.5 V. The A port is designed to track V_{CCA} . V_{CCA} accepts any supply voltage from 1.65 V to 5.5 V. The B port is designed to track V_{CCB} . V_{CCB} accepts any supply voltage from 1.65 V to 5.5 V. This allows for universal low-voltage bidirectional translation between any of the 1.8-V, 2.5-V, 3.3-V, and 5.5-V voltage nodes.

The SN74LVC8T245-EP is designed for asynchronous communication between two data buses. The logic levels of the direction-control (DIR) input and the output-enable (\overline{OE}) input activate either the B-port outputs or the A-port outputs or place both output ports into the high-impedance mode. The device transmits data from the A bus to the B bus when the B-port outputs are activated, and from the B bus to the A bus when the A-port outputs are activated. The input circuitry on both A and B ports is always active and must have a logic HIGH or LOW level applied to prevent excess I_{CC} and I_{CC2} .

The SN74LVC8T245-EP is designed so that the control pins (DIR and \overline{OE}) are supplied by V_{CCA} .

Device Information⁽¹⁾

PART NUMBER	PACKAGE	BODY SIZE (NOM)
SN74LVC8T245-EP	TSSOP (24)	4.40 mm × 7.80 mm
	SOIC (24)	7.50 mm × 15.40 mm
	VQFN (24)	3.50 mm × 5.50 mm

(1) For all available packages, see the orderable addendum at the end of the data sheet.

(1) Additional temperature ranges are available – contact factory.

Logic Diagram (Positive Logic)

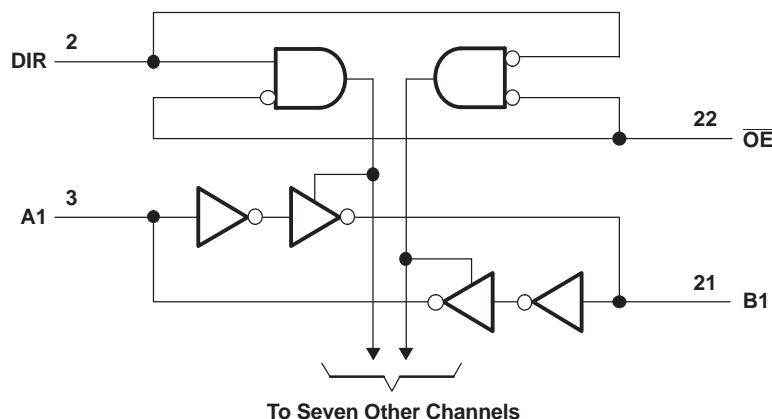


Table of Contents

1 Features	1	9.1 Overview	10
2 Applications	1	9.2 Functional Block Diagram	10
3 Description	1	9.3 Feature Description	10
4 Revision History	2	9.4 Device Functional Modes	10
5 Description (continued)	3	10 Application and Implementation	11
6 Pin Configuration and Functions	3	10.1 Application Information	11
7 Specifications	4	10.2 Typical Application	11
7.1 Absolute Maximum Ratings	4	11 Power Supply Recommendations	13
7.2 ESD Ratings	4	12 Layout	14
7.3 Recommended Operating Conditions	5	12.1 Layout Guidelines	14
7.4 Thermal Information PW, DW and RHL	6	12.2 Layout Example	14
7.5 Electrical Characteristics	6	13 Device and Documentation Support	15
7.6 Switching Characteristics	7	13.1 Receiving Notification of Documentation Updates	15
7.7 Switching Characteristics	7	13.2 Community Resources	15
7.8 Switching Characteristics	8	13.3 Trademarks	15
7.9 Switching Characteristics	8	13.4 Electrostatic Discharge Caution	15
7.10 Operating Characteristics	8	13.5 Glossary	15
8 Parameter Measurement Information	9	14 Mechanical, Packaging, and Orderable Information	15
9 Detailed Description	10		

4 Revision History

NOTE: Page numbers for previous revisions may differ from page numbers in the current version.

Changes from Original (December 2008) to Revision A	Page
• Added <i>ESD Ratings</i> table, <i>Thermal Information</i> table, <i>Feature Description</i> section, <i>Device Functional Modes</i> , <i>Application and Implementation</i> section, <i>Power Supply Recommendations</i> section, <i>Layout</i> section, <i>Device and Documentation Support</i> section, and <i>Mechanical, Packaging, and Orderable Information</i> section	1
• Changed <i>Ordering Information</i> table to <i>Device Information</i> table	1
• Added SOIC and VQFN packages to data sheet	1
• Added the temperature conditions for MIN, TYP, and MAX in the <i>Electrical Characteristics</i> table	6
• Changed $T_A = -55^{\circ}\text{C}$ to 125°C values for I_I , I_{off} , I_{OZ} , I_{CCA} , I_{CCB} , and $I_{\text{CCA}} + I_{\text{CCB}}$ in the <i>Electrical Characteristics</i> table	6

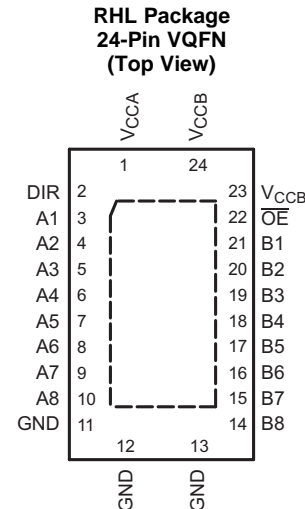
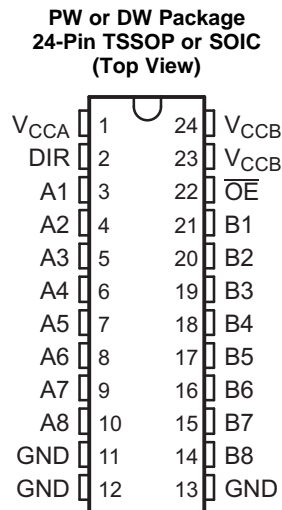
5 Description (continued)

This device is fully specified for partial-power-down applications using I_{off} . The I_{off} circuitry disables the outputs, preventing damaging current backflow through the device when it is powered down.

The V_{CC} isolation feature ensures that if either V_{CC} input is at GND, all outputs are in the high-impedance state.

To ensure the high-impedance state during power up or power down, \overline{OE} should be tied to V_{CC} through a pullup resistor; the minimum value of the resistor is determined by the current-sinking capability of the driver.

6 Pin Configuration and Functions



Pin Functions

PIN		I/O	DESCRIPTION
NAME	NO.		
A1	3	I/O	Input/output A1. Referenced to V_{CCA} .
A2	4	I/O	Input/output A2. Referenced to V_{CCA} .
A3	5	I/O	Input/output A3. Referenced to V_{CCA} .
A4	6	I/O	Input/output A4. Referenced to V_{CCA} .
A5	7	I/O	Input/output A5. Referenced to V_{CCA} .
A6	8	I/O	Input/output A6. Referenced to V_{CCA} .
A7	9	I/O	Input/output A7. Referenced to V_{CCA} .
A8	10	I/O	Input/output A8. Referenced to V_{CCA} .
B1	21	I/O	Input/output B1. Referenced to V_{CCB} .
B2	20	I/O	Input/output B2. Referenced to V_{CCB} .
B3	19	I/O	Input/output B3. Referenced to V_{CCB} .
B4	18	I/O	Input/output B4. Referenced to V_{CCB} .
B5	17	I/O	Input/output B5. Referenced to V_{CCB} .
B6	16	I/O	Input/output B6. Referenced to V_{CCB} .
B7	15	I/O	Input/output B7. Referenced to V_{CCB} .
B8	14	I/O	Input/output B8. Referenced to V_{CCB} .
DIR	2	I	Direction-control signal.
GND	11, 12, 13	G	Ground.
\overline{OE}	22	I	Tri-state output-mode enables. Pull \overline{OE} high to place all outputs in tri-state mode. Referenced to V_{CCA} .
V_{CCA}	1	P	A-port supply voltage. $1.65\text{ V} \leq V_{CCA} \leq 5.5\text{ V}$.
V_{CCB}	23, 24	P	B-port supply voltage. $1.65\text{ V} \leq V_{CCB} \leq 5.5\text{ V}$.

7 Specifications

7.1 Absolute Maximum Ratings⁽¹⁾

over operating free-air temperature range (unless otherwise noted)

		MIN	MAX	UNIT	
V_{CCA} V_{CCB}	Supply voltage	-0.5	6.5	V	
V_I	Input voltage ⁽²⁾	I/O ports (A port)	-0.5	6.5	V
		I/O ports (B port)	-0.5	6.5	
		Control inputs	-0.5	6.5	
V_O	Voltage applied to any output in the high-impedance or power-off state ⁽²⁾	A port	-0.5	6.5	V
		B port	-0.5	6.5	
V_O	Voltage applied to any output in the high or low state ⁽²⁾⁽³⁾	A port	-0.5	$V_{CCA} + 0.5$	V
		B port	-0.5	$V_{CCB} + 0.5$	
I_{IK}	Input clamp current	$V_I < 0$	-50	mA	
I_{OK}	Output clamp current	$V_O < 0$	-50	mA	
I_O	Continuous output current		±50	mA	
	Continuous current through each V_{CCA} , V_{CCB} , and GND		±100	mA	
$R_{\theta JA}$	Package thermal impedance ⁽⁴⁾		88	°C/W	
T_{stg}	Storage temperature	-65	150	°C	

- (1) Stresses beyond those listed under *Absolute Maximum Ratings* may cause permanent damage to the device. These are stress ratings only, and functional operation of the device at these or any other conditions beyond those indicated in the *Recommended Operating Conditions* is not implied. Exposure to absolute-maximum-rated conditions for extended periods may affect device reliability.
- (2) The input and output negative-voltage ratings may be exceeded if the input and output current ratings are observed.
- (3) The output positive-voltage rating may be exceeded up to 6.5-V maximum if the output current rating is observed.
- (4) The package thermal impedance is calculated in accordance with JESD 51-7.

7.2 ESD Ratings

		VALUE	UNIT
$V_{(ESD)}$	Electrostatic discharge	Human-body model (HBM), per ANSI/ESDA/JEDEC JS-001 ⁽¹⁾	±4000
		Charged-device model (CDM), per JEDEC specification JESD22-C101 ⁽²⁾	±1000
		Machine model	±200

- (1) JEDEC document JEP155 states that 500-V HBM allows safe manufacturing with a standard ESD control process.
- (2) JEDEC document JEP157 states that 250-V CDM allows safe manufacturing with a standard ESD control process.

7.3 Recommended Operating Conditions⁽¹⁾⁽²⁾⁽³⁾⁽⁴⁾

			V _{CCI}	V _{CCO}	MIN	MAX	UNIT
V _{CCA}	Supply voltage				1.65	5.5	V
V _{CCB}					1.65	5.5	
V _{IH}	High-level input voltage	Data inputs ⁽⁵⁾	1.65 to 1.95 V		V _{CCI} × 0.65		V
			2.3 to 2.7 V		1.7		
			3 to 3.6 V		2		
			4.5 to 5.5 V		V _{CCI} × 0.7		
V _{IL}	Low-level input voltage	Data inputs ⁽⁵⁾	1.65 to 1.95 V		V _{CCI} × 0.35		V
			2.3 to 2.7 V		0.7		
			3 to 3.6 V		0.8		
			4.5 to 5.5 V		V _{CCI} × 0.3		
V _{IH}	High-level input voltage	Control inputs (referenced to V _{CCA}) ⁽⁶⁾	1.65 to 1.95 V		V _{CCA} × 0.65		V
			2.3 to 2.7 V		1.7		
			3 to 3.6 V		2		
			4.5 to 5.5 V		V _{CCA} × 0.7		
V _{IL}	Low-level input voltage	Control inputs (referenced to V _{CCA}) ⁽⁶⁾	1.65 to 1.95 V		V _{CCA} × 0.35		V
			2.3 to 2.7 V		0.7		
			3 to 3.6 V		0.8		
			4.5 to 5.5 V		V _{CCA} × 0.3		
V _I	Input voltage	Control inputs			0	5.5	V
V _{I/O}	Input/output voltage	Active state			0	V _{CCO}	V
		Tri-state			0	5.5	
I _{OH}	High-level output current		1.65 to 1.95 V		-4		mA
			2.3 to 2.7 V		-8		
			3 to 3.6 V		-24		
			4.5 to 5.5 V		-32		
I _{OL}	Low-level output current		1.65 to 1.95 V		4		mA
			2.3 to 2.7 V		8		
			3 to 3.6 V		24		
			4.5 to 5.5 V		32		
Δt/Δv	Input transition rise or fall rate	Data inputs	1.65 to 1.95 V		20		ns/V
			2.3 to 2.7 V		20		
			3 to 3.6 V		10		
			4.5 to 5.5 V		5		
T _A	Operating free-air temperature				-55	125	°C

(1) V_{CCI} is the V_{CC} associated with the data input port.

(2) V_{CCO} is the V_{CC} associated with the output port.

(3) All unused or driven (floating) data inputs (I/Os) of the device must be held at logic HIGH or LOW (preferably V_{CCI} or GND) to ensure proper device operation and minimize power. Refer to the TI application report, *Implications of Slow or Floating CMOS Inputs*, literature number SCBA004.

(4) All unused control inputs must be held at V_{CCA} or GND to ensure proper device operation and minimize power consumption.

(5) For V_{CCI} values not specified in the data sheet, V_{IH} min = V_{CCI} × 0.7 V, V_{IL} max = V_{CCI} × 0.3 V.

(6) For V_{CCA} values not specified in the data sheet, V_{IH} min = V_{CCA} × 0.7 V, V_{IL} max = V_{CCA} × 0.3 V.

7.4 Thermal Information PW, DW and RHL

THERMAL METRIC ⁽¹⁾	SN74LVC8T245-EP			UNIT
	PW	DW	RHL	
	24 PINS	24 PINS	24 PINS	
$R_{\theta JA}$ Junction-to-ambient thermal resistance	90.6	68.1	36.2	°C/W
$R_{\theta JC(top)}$ Junction-to-case (top) thermal resistance	27.6	35.6	27.9	°C/W
$R_{\theta JB}$ Junction-to-board thermal resistance	45.3	37.8	13.5	°C/W
ψ_{JT} Junction-to-top characterization parameter	1.3	13	0.5	°C/W
ψ_{JB} Junction-to-board characterization parameter	44.8	37.5	13.4	°C/W
$R_{\theta JC(bot)}$ Junction-to-case (bottom) thermal resistance	N/A	N/A	3.6	°C/W

(1) For more information about traditional and new thermal metrics, see the *IC Package Thermal Metrics* application report, [SPRA953](#).

7.5 Electrical Characteristics

over recommended operating free-air temperature range (unless otherwise noted)⁽¹⁾⁽²⁾

PARAMETER	TEST CONDITIONS	V_{CCA}	V_{CCB}	$T_A = 25^\circ\text{C}$			$T_A = -55^\circ\text{C to } 125^\circ\text{C}$		UNIT
				MIN	TYP	MAX	MIN	MAX	
V_{OH}	$I_{OH} = -100\ \mu\text{A}$, $V_I = V_{IH}$	1.65 V to 4.5 V	1.65 V to 4.5 V				$V_{CCO} - 0.1$		V
	$I_{OH} = -4\ \text{mA}$, $V_I = V_{IH}$	1.65 V	1.65 V				1.2		
	$I_{OH} = -8\ \text{mA}$, $V_I = V_{IH}$	2.3 V	2.3 V				1.9		
	$I_{OH} = -24\ \text{mA}$, $V_I = V_{IH}$	3 V	3 V				2.4		
	$I_{OH} = -32\ \text{mA}$, $V_I = V_{IH}$	4.5 V	4.5 V				3.8		
V_{OL}	$I_{OL} = 100\ \mu\text{A}$, $V_I = V_{IL}$	1.65 V to 4.5 V	1.65 V to 4.5 V				0.1		V
	$I_{OL} = 4\ \text{mA}$, $V_I = V_{IL}$	1.65 V	1.65 V				0.45		
	$I_{OL} = 8\ \text{mA}$, $V_I = V_{IL}$	2.3 V	2.3 V				0.3		
	$I_{OL} = 24\ \text{mA}$, $V_I = V_{IL}$	3 V	3 V				0.55		
	$I_{OL} = 32\ \text{mA}$, $V_I = V_{IL}$	4.5 V	4.5 V				0.55		
I_I DIR	$V_I = V_{CCA}$ or GND	1.65 V to 5.5 V	1.65 V to 5.5 V	-1	1		-2	2	μA
I_{off} A or B port	V_I or $V_O = 0$ to 5.5 V	0 V	0 V to 5.5 V	-1	1		-11	11	μA
		0 V to 5.5 V	0 V	-1	1		-11	11	μA
I_{OZ} A or B port	$V_O = V_{CCO}$ or GND, $O\bar{E} = V_{IH}$	1.65 V to 5.5 V	1.65 V to 5.5 V	-1	1		-6	6	μA
I_{CCA}	$V_I = V_{CCI}$ or GND, $I_O = 0$	1.65 V to 5.5 V	1.65 V to 5.5 V				20		μA
		5 V	0 V				20		
		0 V	5 V				-10		
I_{CCB}	$V_I = V_{CCI}$ or GND, $I_O = 0$	1.65 V to 5.5 V	1.65 V to 5.5 V				20		μA
		5 V	0 V				-10		
		0 V	5 V				20		
$I_{CCA} + I_{CCB}$	$V_I = V_{CCI}$ or GND, $I_O = 0$	1.65 V to 5.5 V	1.65 V to 5.5 V				40		μA
ΔI_{CCA}	A port	One A port at $V_{CCA} - 0.6\ \text{V}$, DIR at V_{CCA} , B port = open					50		μA
	DIR	DIR at $V_{CCA} - 0.6\ \text{V}$, B port = open, A port at V_{CCA} or GND	3 V to 5.5 V	3 V to 5.5 V			50		
ΔI_{CCB} B port	One B port at $V_{CCB} - 0.6\ \text{V}$, DIR at GND, A port = open	3 V to 5.5 V	3 V to 5.5 V				50		μA
C_i Control inputs	$V_I = V_{CCA}$ or GND	3.3 V	3.3 V		4		5		pF
C_{io} A or B port	$V_O = V_{CCA/B}$ or GND	3.3 V	3.3 V		8.5		10		pF

(1) V_{CCO} is the V_{CC} associated with the output port.

(2) V_{CCI} is the V_{CC} associated with the input port.

7.6 Switching Characteristics

over recommended operating free-air temperature range, $V_{CCA} = 1.8\text{ V} \pm 0.15\text{ V}$ (unless otherwise noted) (see [Figure 1](#))

PARAMETER	FROM (INPUT)	TO (OUTPUT)	$V_{CCB} = 1.8\text{ V} \pm 0.15\text{ V}$		$V_{CCB} = 2.5\text{ V} \pm 0.2\text{ V}$		$V_{CCB} = 3.3\text{ V} \pm 0.3\text{ V}$		$V_{CCB} = 5\text{ V} \pm 0.5\text{ V}$		UNIT
			MIN	MAX	MIN	MAX	MIN	MAX	MIN	MAX	
t_{PLH}	A	B	1.7	25.9	1.3	13.2	1	11.4	0.8	11.1	ns
t_{PHL}											
t_{PLH}	B	A	0.9	28.8	0.8	27.6	0.7	27.4	0.7	27.4	ns
t_{PHL}											
t_{PHZ}	\overline{OE}	A	1.5	33.6	1.5	33.4	1.5	33.3	1.4	33.2	ns
t_{PLZ}											
t_{PHZ}	\overline{OE}	B	2.4	36.2	1.9	17.1	1.7	16	1.3	14.3	ns
t_{PLZ}											
t_{PZH}	\overline{OE}	A	0.4	28	0.4	27.8	0.4	27.7	0.4	27.7	ns
t_{PZL}											
t_{PZH}	\overline{OE}	B	1.8	40	1.5	20	1.2	16.6	0.9	14.8	ns
t_{PZL}											

7.7 Switching Characteristics

over recommended operating free-air temperature range, $V_{CCA} = 2.5\text{ V} \pm 0.2\text{ V}$ (unless otherwise noted) (see [Figure 1](#))

PARAMETER	FROM (INPUT)	TO (OUTPUT)	$V_{CCB} = 1.8\text{ V} \pm 0.15\text{ V}$		$V_{CCB} = 2.5\text{ V} \pm 0.2\text{ V}$		$V_{CCB} = 3.3\text{ V} \pm 0.3\text{ V}$		$V_{CCB} = 5\text{ V} \pm 0.5\text{ V}$		UNIT
			MIN	MAX	MIN	MAX	MIN	MAX	MIN	MAX	
t_{PLH}	A	B	1.5	25.4	1.2	13	0.8	10.2	0.6	8.8	ns
t_{PHL}											
t_{PLH}	B	A	1.2	13.3	1	13.1	1	12.9	0.9	12.8	ns
t_{PHL}											
t_{PHZ}	\overline{OE}	A	1.4	13	1.4	13	1.4	13	1.4	13	ns
t_{PLZ}											
t_{PHZ}	\overline{OE}	B	2.3	33.6	1.8	15	1.7	14.3	0.9	10.9	ns
t_{PLZ}											
t_{PZH}	\overline{OE}	A	1	17.2	1	17.3	1	17.2	1	17.3	ns
t_{PZL}											
t_{PZH}	\overline{OE}	B	1.7	32.2	1.5	18.1	1.2	14.1	1	11.2	ns
t_{PZL}											

7.8 Switching Characteristics

 over recommended operating free-air temperature range, $V_{CCA} = 3.3 \text{ V} \pm 0.3 \text{ V}$ (unless otherwise noted) (see [Figure 1](#))

PARAMETER	FROM (INPUT)	TO (OUTPUT)	$V_{CCB} = 1.8 \text{ V} \pm 0.15 \text{ V}$		$V_{CCB} = 2.5 \text{ V} \pm 0.2 \text{ V}$		$V_{CCB} = 3.3 \text{ V} \pm 0.3 \text{ V}$		$V_{CCB} = 5 \text{ V} \pm 0.5 \text{ V}$		UNIT
			MIN	MAX	MIN	MAX	MIN	MAX	MIN	MAX	
t_{PLH}	A	B	1.5	25.2	1.1	12.8	0.8	10.3	0.5	10.4	ns
t_{PHL}											
t_{PLH}	B	A	0.8	11.2	0.8	10.2	0.7	10.1	0.6	10	ns
t_{PHL}											
t_{PHZ}	\overline{OE}	A	1.6	12.2	1.6	12.2	1.6	12.2	1.6	12.2	ns
t_{PLZ}											
t_{PHZ}	\overline{OE}	B	2.1	33	1.7	14.3	1.5	12.6	0.8	10.3	ns
t_{PLZ}											
t_{PZH}	\overline{OE}	A	0.8	14.1	0.8	13.6	0.8	13.2	0.8	13.6	ns
t_{PZL}											
t_{PZH}	\overline{OE}	B	1.8	31.7	1.4	18.4	1.1	12.9	0.9	10.9	ns
t_{PZL}											

7.9 Switching Characteristics

 over recommended operating free-air temperature range, $V_{CCA} = 5 \text{ V} \pm 0.5 \text{ V}$ (unless otherwise noted) (see [Figure 1](#))

PARAMETER	FROM (INPUT)	TO (OUTPUT)	$V_{CC} = 1.8 \text{ V} \pm 0.15 \text{ V}$		$V_{CC} = 2.5 \text{ V} \pm 0.2 \text{ V}$		$V_{CC} = 3.3 \text{ V} \pm 0.3 \text{ V}$		$V_{CC} = 5 \text{ V} \pm 0.5 \text{ V}$		UNIT
			MIN	MAX	MIN	MAX	MIN	MAX	MIN	MAX	
t_{PLH}	A	B	1.5	25.4	1	12.8	0.7	10	0.4	8.2	ns
t_{PHL}											
t_{PLH}	B	A	0.7	11	0.4	8.8	0.3	8.5	0.3	8.3	ns
t_{PHL}											
t_{PHZ}	\overline{OE}	A	0.3	9.4	0.3	9.4	0.3	9.4	0.3	9.4	ns
t_{PLZ}											
t_{PHZ}	\overline{OE}	B	2	32.7	1.6	13.7	1.4	12	0.7	9.7	ns
t_{PLZ}											
t_{PZH}	\overline{OE}	A	0.7	10.9	0.7	10.9	0.7	10.9	0.7	10.9	ns
t_{PZL}											
t_{PZH}	\overline{OE}	B	1.5	31.6	1.3	18.4	1	13.7	0.9	10.7	ns
t_{PZL}											

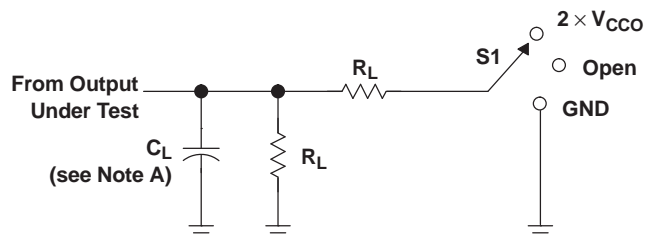
7.10 Operating Characteristics

 $T_A = 25^\circ\text{C}$

PARAMETER	TEST CONDITIONS	$V_{CCA} = V_{CCB} = 1.8 \text{ V}$	$V_{CCA} = V_{CCB} = 2.5 \text{ V}$	$V_{CCA} = V_{CCB} = 3.3 \text{ V}$	$V_{CCA} = V_{CCB} = 5 \text{ V}$	UNIT
		TYP	TYP	TYP	TYP	
C_{pdA} (1)	A-port input, B-port output	2	2	2	3	pF
	B-port input, A-port output	12	13	13	16	
C_{pdB} (1)	A-port input, B-port output	13	13	14	16	pF
	B-port input, A-port output	2	2	2	3	

(1) Power dissipation capacitance per transceiver

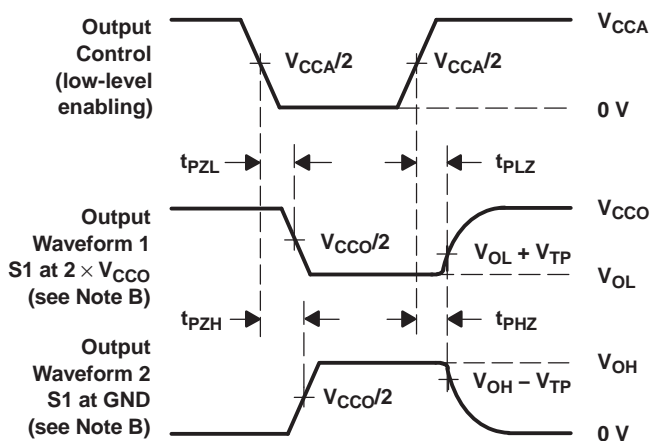
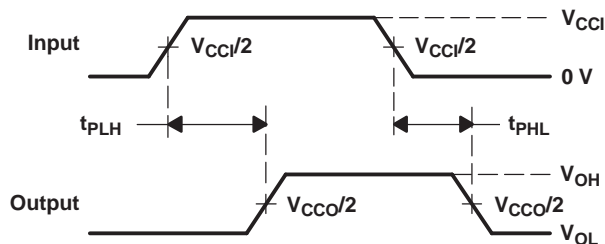
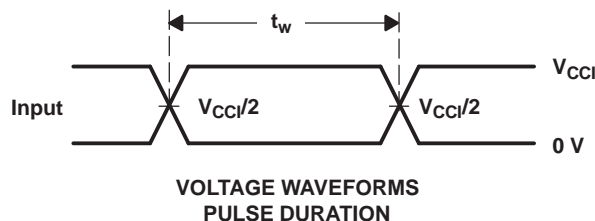
8 Parameter Measurement Information



LOAD CIRCUIT

V_{CCO}	C_L	R_L	V_{TP}
$1.8 \text{ V} \pm 0.15 \text{ V}$	15 pF	2 k Ω	0.15 V
$2.5 \text{ V} \pm 0.2 \text{ V}$	15 pF	2 k Ω	0.15 V
$3.3 \text{ V} \pm 0.3 \text{ V}$	15 pF	2 k Ω	0.3 V
$5 \text{ V} \pm 0.5 \text{ V}$	15 pF	2 k Ω	0.3 V

TEST	S1
t_{pd}	Open
t_{PLZ}/t_{PZL}	$2 \times V_{CCO}$
t_{PHZ}/t_{PZH}	GND



- NOTES:
- C_L includes probe and jig capacitance.
 - Waveform 1 is for an output with internal conditions such that the output is low, except when disabled by the output control. Waveform 2 is for an output with internal conditions such that the output is high, except when disabled by the output control.
 - All input pulses are supplied by generators having the following characteristics: PRR \leq 10 MHz, $Z_O = 50 \Omega$, $dv/dt \geq 1 \text{ V/ns}$.
 - The outputs are measured one at a time, with one transition per measurement.
 - t_{PLZ} and t_{PHZ} are the same as t_{dis} .
 - t_{PZL} and t_{PZH} are the same as t_{en} .
 - t_{PLH} and t_{PHL} are the same as t_{pd} .
 - V_{CCI} is the V_{CC} associated with the input port.
 - V_{CCO} is the V_{CC} associated with the output port.
 - All parameters and waveforms are not applicable to all devices.

Figure 1. Load Circuit and Voltage Waveforms

9 Detailed Description

9.1 Overview

The SN74LVC8T245-EP is an 8-bit, dual supply non-inverting voltage level translation. Pin Ax and direction control pin are support by V_{CCA} and pin Bx is support by V_{CCB} . The A port is able to accept I/O voltages ranging from 1.65 V to 5.5 V, while the B port can accept I/O voltages from 1.65 V to 5.5 V. The high on DIR allows data transmission from A to B and a low on DIR allows data transmission from B to A.

9.2 Functional Block Diagram

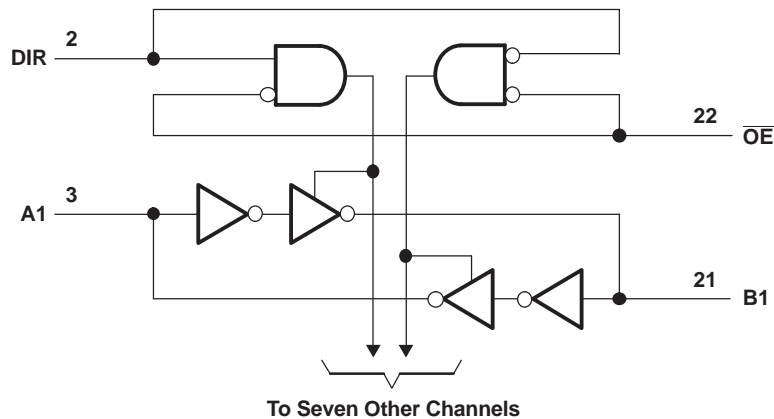


Figure 2. Logic Diagram (Positive Logic)

9.3 Feature Description

9.3.1 Fully Configurable Dual-Rail Design Allows Each Port to Operate Over the Full 1.65-V to 5.5-V Power-Supply Range

Both V_{CCA} and V_{CCB} can be supplied at any voltage between 1.65 V and 5.5 V making the device suitable for translating between any of the voltage nodes (1.8 V, 2.5 V, 3.3 V and 5 V).

9.3.2 I_{off} Supports Partial-Power-Down Mode Operation

I_{off} prevents backflow current by disabling I/O output circuits when device is in partial-power-down mode.

9.4 Device Functional Modes

The SN74LVC8T245-EP is voltage level translator that can operate from 1.65 V to 5.5 V (V_{CCA}) and 1.65 V to 5.5 V (V_{CCB}). The signal translation between 1.65 V and 5.5 V requires direction control and output enable control. When \overline{OE} is low and DIR is high, data transmission is from A to B. When \overline{OE} is low and DIR is low, data transmission is from B to A. When \overline{OE} is high, both output ports will be high-impedance.

Table 1. Function Table⁽¹⁾
(Each 8-Bit Section)

CONTROL INPUTS		OUTPUT CIRCUITS		OPERATION
\overline{OE}	DIR	A PORT	B PORT	
L	L	Enabled	Hi-Z	B data to A bus
L	H	Hi-Z	Enabled	A data to B bus
H	X	Hi-Z	Hi-Z	Isolation

(1) Input circuits of the data I/Os are always active.

10 Application and Implementation

NOTE

Information in the following applications sections is not part of the TI component specification, and TI does not warrant its accuracy or completeness. TI's customers are responsible for determining suitability of components for their purposes. Customers should validate and test their design implementation to confirm system functionality.

10.1 Application Information

The SN74LVC8T245-EP device can be used in level-translation applications for interfacing devices or systems operating at different interface voltages with one another. The maximum output current can be up to 32 mA when device is powered by 5 V.

10.2 Typical Application

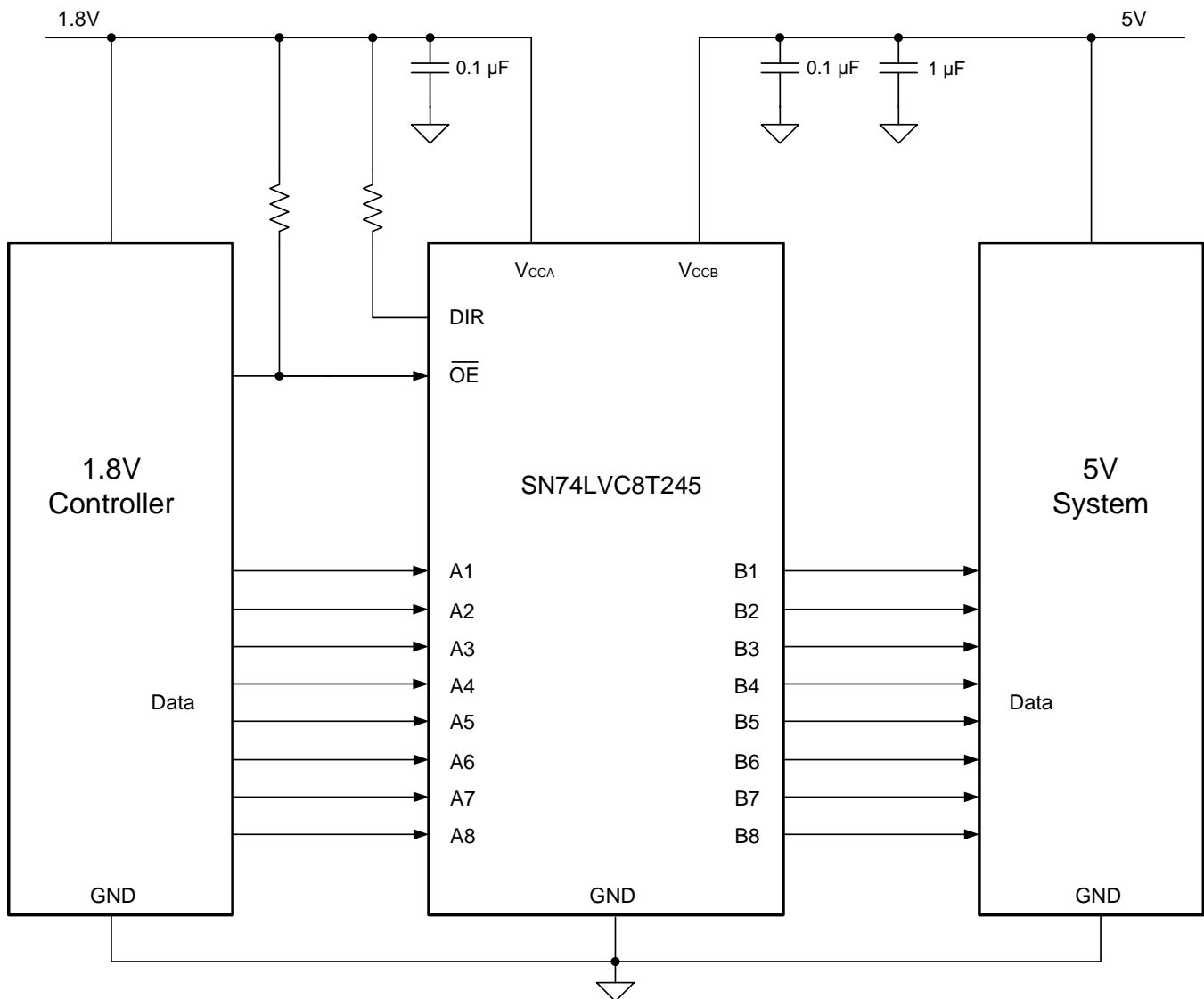


Figure 3. Typical Application Circuit

Typical Application (continued)

10.2.1 Design Requirements

For this design example, use the parameters listed in [Table 2](#).

Table 2. Design Parameters

PARAMETERS	VALUES
Input voltage range	1.65 V to 5.5 V
Output voltage	1.65 V to 5.5 V

10.2.2 Detailed Design Procedure

To begin the design process, determine the following:

- Input voltage range
 - Use the supply voltage of the device that is driving the SN74LVC8T245-EP device to determine the input voltage range. For a valid logic high, the value must exceed the V_{IH} of the input port. For a valid logic low, the value must be less than the V_{IL} of the input port.
- Output voltage range
 - Use the supply voltage of the device that the SN74LVC8T245-EP device is driving to determine the output voltage range.

10.2.3 Application Curve

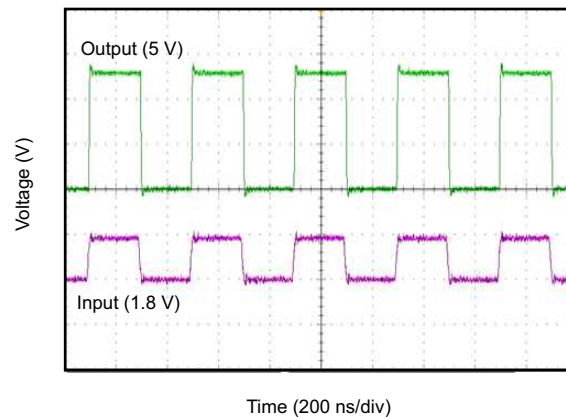


Figure 4. Translation Up (1.8 V to 5 V) at 2.5 MHz

11 Power Supply Recommendations

The SN74LVC8T245-EP device uses two separate configurable power-supply rails, VCCA and VCCB. VCCA accepts any supply voltage from 1.65 V to 5.5 V and VCCB accepts any supply voltage from 1.65 V to 5.5 V. The A port and B port are designed to track VCCA and VCCB respectively allowing for low-voltage bidirectional translation between any of the 1.8-V, 2.5 -V, 3.3-V and 5-V voltage nodes.

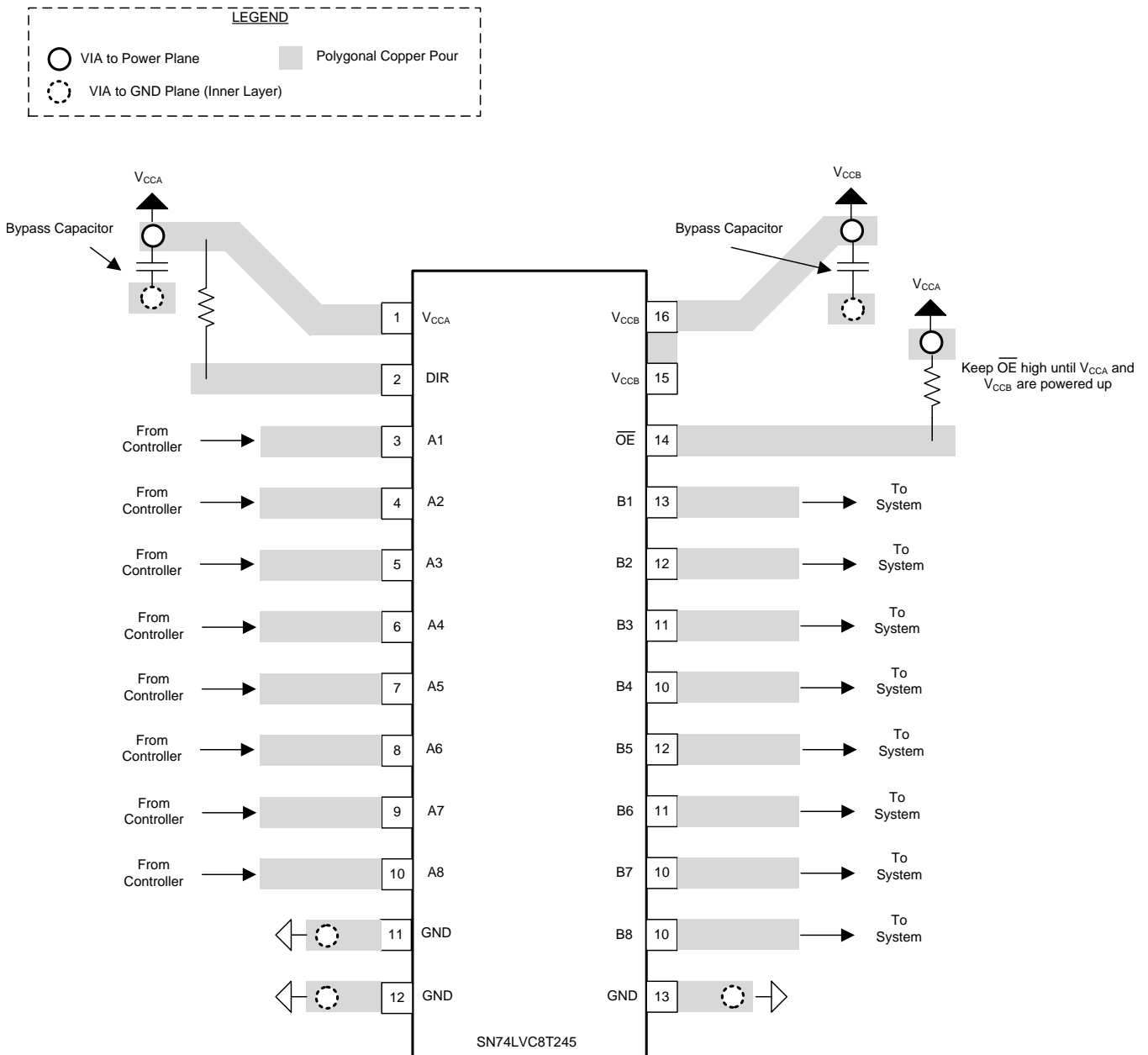
12 Layout

12.1 Layout Guidelines

To ensure reliability of the device, following common printed-circuit board layout guidelines is recommended.

- Bypass capacitors should be used on power supplies.
- Short trace lengths should be used to avoid excessive loading.
- Placing pads on the signal paths for loading capacitors or pullup resistors helps adjust rise and fall times of signals depending on the system requirements.

12.2 Layout Example



13 Device and Documentation Support

13.1 Receiving Notification of Documentation Updates

To receive notification of documentation updates, navigate to the device product folder on ti.com. In the upper right corner, click on *Alert me* to register and receive a weekly digest of any product information that has changed. For change details, review the revision history included in any revised document.

13.2 Community Resources

The following links connect to TI community resources. Linked contents are provided "AS IS" by the respective contributors. They do not constitute TI specifications and do not necessarily reflect TI's views; see TI's [Terms of Use](#).

TI E2E™ Online Community *TI's Engineer-to-Engineer (E2E) Community*. Created to foster collaboration among engineers. At e2e.ti.com, you can ask questions, share knowledge, explore ideas and help solve problems with fellow engineers.

Design Support *TI's Design Support* Quickly find helpful E2E forums along with design support tools and contact information for technical support.

13.3 Trademarks

E2E is a trademark of Texas Instruments.
All other trademarks are the property of their respective owners.

13.4 Electrostatic Discharge Caution



These devices have limited built-in ESD protection. The leads should be shorted together or the device placed in conductive foam during storage or handling to prevent electrostatic damage to the MOS gates.

13.5 Glossary

[SLYZ022](#) — *TI Glossary*.

This glossary lists and explains terms, acronyms, and definitions.

14 Mechanical, Packaging, and Orderable Information

The following pages include mechanical, packaging, and orderable information. This information is the most current data available for the designated devices. This data is subject to change without notice and revision of this document. For browser-based versions of this data sheet, refer to the left-hand navigation.

PACKAGING INFORMATION

Orderable part number	Status (1)	Material type (2)	Package Pins	Package qty Carrier	RoHS (3)	Lead finish/ Ball material (4)	MSL rating/ Peak reflow (5)	Op temp (°C)	Part marking (6)
CLVC8T245MRHLTEP	Active	Production	VQFN (RHL) 24	250 SMALL T&R	Yes	NIPDAU	Level-2-260C-1 YEAR	-55 to 125	P8T245M
SN74LVC8T245MDWREP	Active	Production	SOIC (DW) 24	2000 LARGE T&R	Yes	NIPDAU	Level-3-260C-168 HR	-55 to 125	LVC8T245M
SN74LVC8T245MPWREP	Active	Production	TSSOP (PW) 24	2000 LARGE T&R	Yes	NIPDAU	Level-1-260C-UNLIM	-55 to 125	NH245MEP
V62/09615-01XE	Active	Production	TSSOP (PW) 24	2000 LARGE T&R	Yes	NIPDAU	Level-1-260C-UNLIM	-55 to 125	NH245MEP
V62/09615-01YE	Active	Production	SOIC (DW) 24	2000 LARGE T&R	Yes	NIPDAU	Level-3-260C-168 HR	-55 to 125	LVC8T245M
V62/09615-01ZE	Active	Production	VQFN (RHL) 24	250 SMALL T&R	Yes	NIPDAU	Level-2-260C-1 YEAR	-55 to 125	P8T245M

(1) **Status:** For more details on status, see our [product life cycle](#).

(2) **Material type:** When designated, preproduction parts are prototypes/experimental devices, and are not yet approved or released for full production. Testing and final process, including without limitation quality assurance, reliability performance testing, and/or process qualification, may not yet be complete, and this item is subject to further changes or possible discontinuation. If available for ordering, purchases will be subject to an additional waiver at checkout, and are intended for early internal evaluation purposes only. These items are sold without warranties of any kind.

(3) **RoHS values:** Yes, No, RoHS Exempt. See the [TI RoHS Statement](#) for additional information and value definition.

(4) **Lead finish/Ball material:** Parts may have multiple material finish options. Finish options are separated by a vertical ruled line. Lead finish/Ball material values may wrap to two lines if the finish value exceeds the maximum column width.

(5) **MSL rating/Peak reflow:** The moisture sensitivity level ratings and peak solder (reflow) temperatures. In the event that a part has multiple moisture sensitivity ratings, only the lowest level per JEDEC standards is shown. Refer to the shipping label for the actual reflow temperature that will be used to mount the part to the printed circuit board.

(6) **Part marking:** There may be an additional marking, which relates to the logo, the lot trace code information, or the environmental category of the part.

Multiple part markings will be inside parentheses. Only one part marking contained in parentheses and separated by a "~" will appear on a part. If a line is indented then it is a continuation of the previous line and the two combined represent the entire part marking for that device.

Important Information and Disclaimer:The information provided on this page represents TI's knowledge and belief as of the date that it is provided. TI bases its knowledge and belief on information provided by third parties, and makes no representation or warranty as to the accuracy of such information. Efforts are underway to better integrate information from third parties. TI has taken and continues to take reasonable steps to provide representative and accurate information but may not have conducted destructive testing or chemical analysis on incoming materials and chemicals. TI and TI suppliers consider certain information to be proprietary, and thus CAS numbers and other limited information may not be available for release.

In no event shall TI's liability arising out of such information exceed the total purchase price of the TI part(s) at issue in this document sold by TI to Customer on an annual basis.

OTHER QUALIFIED VERSIONS OF SN74LVC8T245-EP :

- Catalog : [SN74LVC8T245](#)
- Automotive : [SN74LVC8T245-Q1](#)

NOTE: Qualified Version Definitions:

- Catalog - TI's standard catalog product
- Automotive - Q100 devices qualified for high-reliability automotive applications targeting zero defects

TAPE AND REEL INFORMATION

QUADRANT ASSIGNMENTS FOR PIN 1 ORIENTATION IN TAPE


*All dimensions are nominal

Device	Package Type	Package Drawing	Pins	SPQ	Reel Diameter (mm)	Reel Width W1 (mm)	A0 (mm)	B0 (mm)	K0 (mm)	P1 (mm)	W (mm)	Pin1 Quadrant
CLVC8T245MRHLTEP	VQFN	RHL	24	250	180.0	12.4	3.8	5.8	1.2	8.0	12.0	Q1
SN74LVC8T245MDWREP	SOIC	DW	24	2000	330.0	24.4	10.75	15.7	2.7	12.0	24.0	Q1
SN74LVC8T245MPWREP	TSSOP	PW	24	2000	330.0	16.4	6.95	8.3	1.6	8.0	16.0	Q1

TAPE AND REEL BOX DIMENSIONS


*All dimensions are nominal

Device	Package Type	Package Drawing	Pins	SPQ	Length (mm)	Width (mm)	Height (mm)
CLVC8T245MRHLTEP	VQFN	RHL	24	250	213.0	191.0	35.0
SN74LVC8T245MDWREP	SOIC	DW	24	2000	350.0	350.0	43.0
SN74LVC8T245MPWREP	TSSOP	PW	24	2000	353.0	353.0	32.0

PW0024A



PACKAGE OUTLINE

TSSOP - 1.2 mm max height

SMALL OUTLINE PACKAGE



4220208/A 02/2017

NOTES:

- All linear dimensions are in millimeters. Any dimensions in parenthesis are for reference only. Dimensioning and tolerancing per ASME Y14.5M.
- This drawing is subject to change without notice.
- This dimension does not include mold flash, protrusions, or gate burrs. Mold flash, protrusions, or gate burrs shall not exceed 0.15 mm per side.
- This dimension does not include interlead flash. Interlead flash shall not exceed 0.25 mm per side.
- Reference JEDEC registration MO-153.

EXAMPLE BOARD LAYOUT

PW0024A

TSSOP - 1.2 mm max height

SMALL OUTLINE PACKAGE



LAND PATTERN EXAMPLE
EXPOSED METAL SHOWN
SCALE: 10X



SOLDER MASK DETAILS

4220208/A 02/2017

NOTES: (continued)

- 6. Publication IPC-7351 may have alternate designs.
- 7. Solder mask tolerances between and around signal pads can vary based on board fabrication site.

EXAMPLE STENCIL DESIGN

PW0024A

TSSOP - 1.2 mm max height

SMALL OUTLINE PACKAGE



NOTES: (continued)

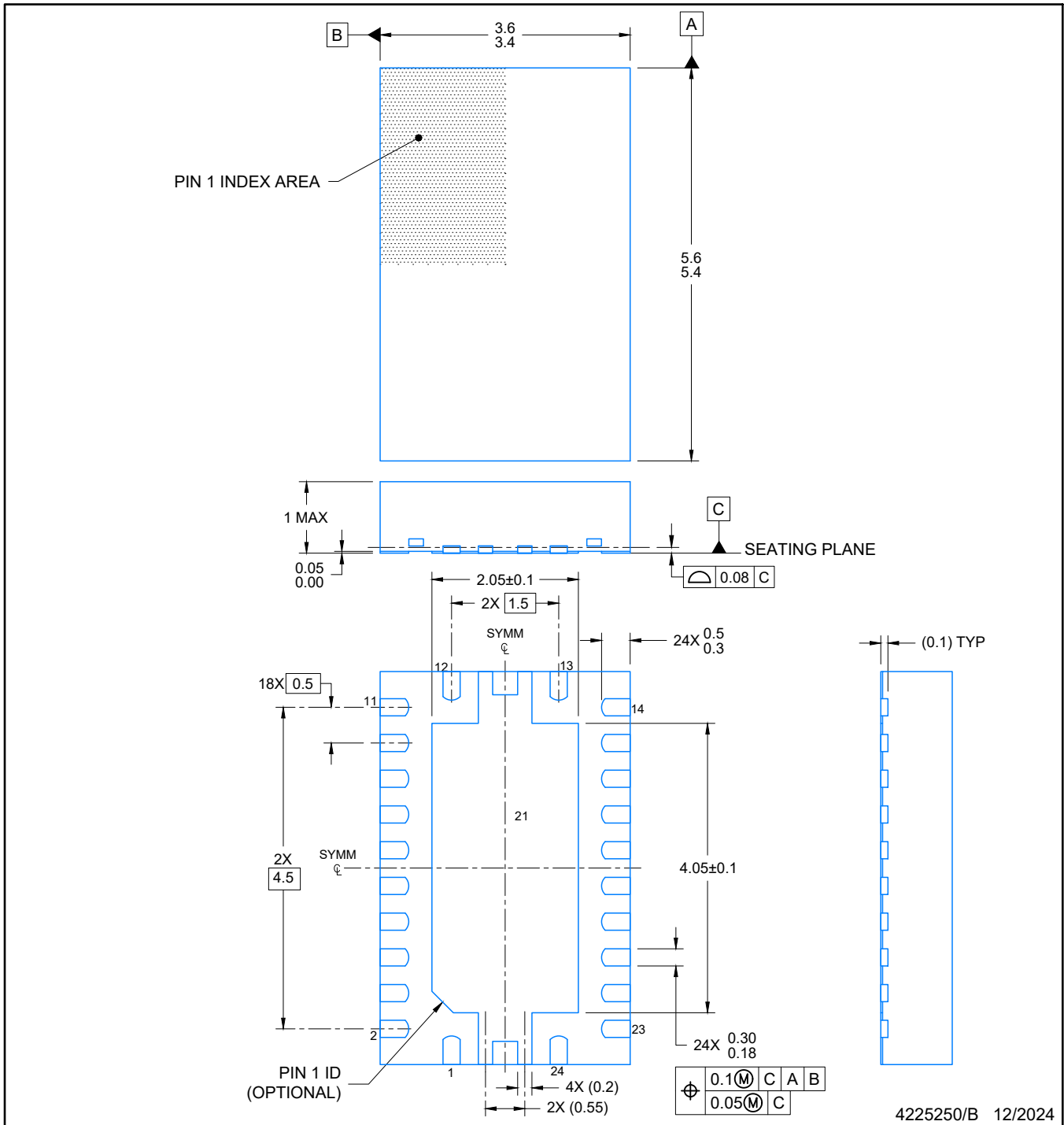
8. Laser cutting apertures with trapezoidal walls and rounded corners may offer better paste release. IPC-7525 may have alternate design recommendations.
9. Board assembly site may have different recommendations for stencil design.

DW (R-PDSO-G24)

PLASTIC SMALL OUTLINE



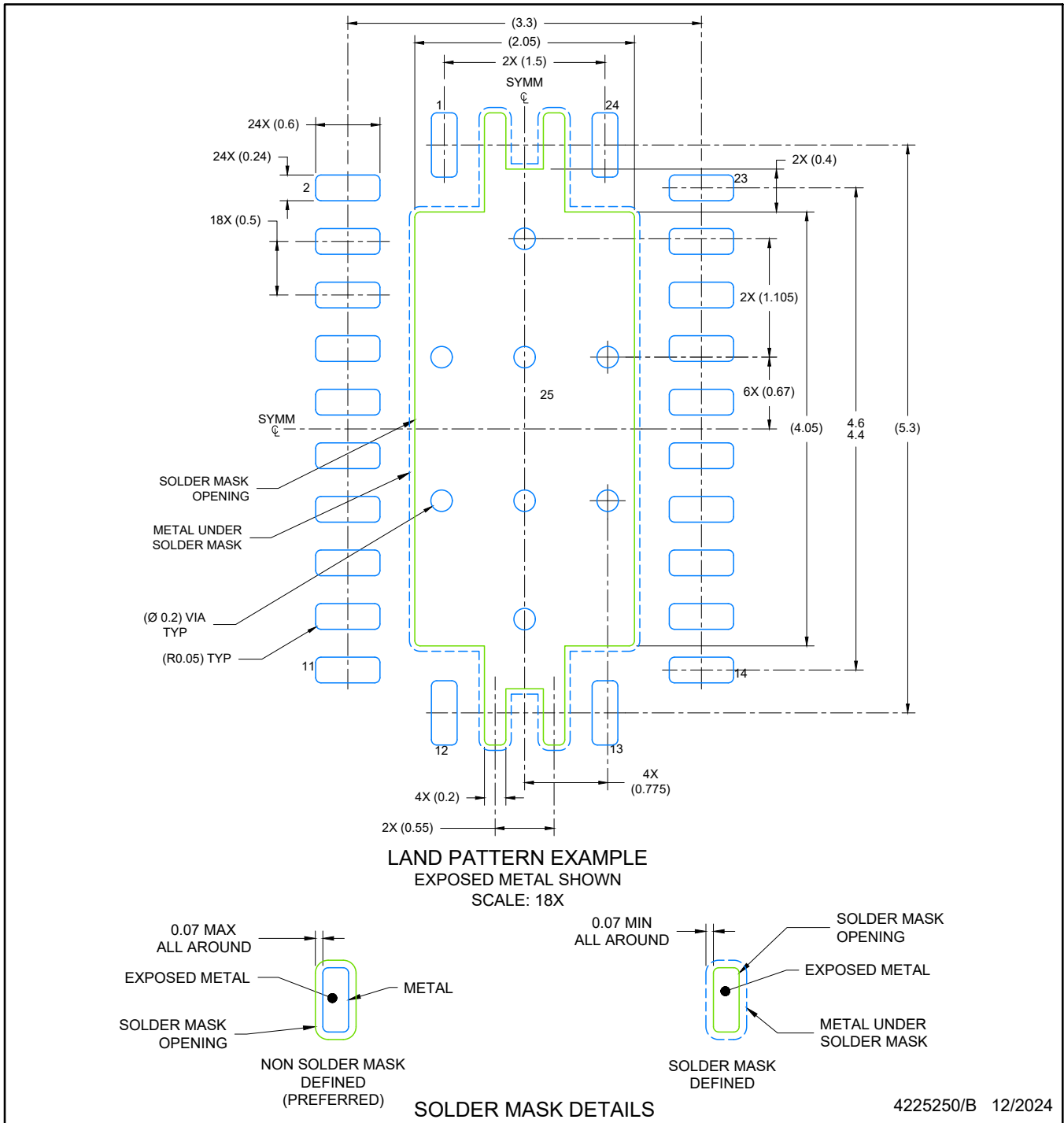
- NOTES:
- A. All linear dimensions are in inches (millimeters). Dimensioning and tolerancing per ASME Y14.5M-1994.
 - B. This drawing is subject to change without notice.
 - C. Body dimensions do not include mold flash or protrusion not to exceed 0.006 (0,15).
 - D. Falls within JEDEC MS-013 variation AD.



4225250/B 12/2024

NOTES:

1. All linear dimensions are in millimeters. Any dimensions in parenthesis are for reference only. Dimensioning and tolerancing per ASME Y14.5M.
2. This drawing is subject to change without notice.
3. The package thermal pad must be soldered to the printed circuit board for optimal thermal and mechanical performance.



NOTES: (continued)

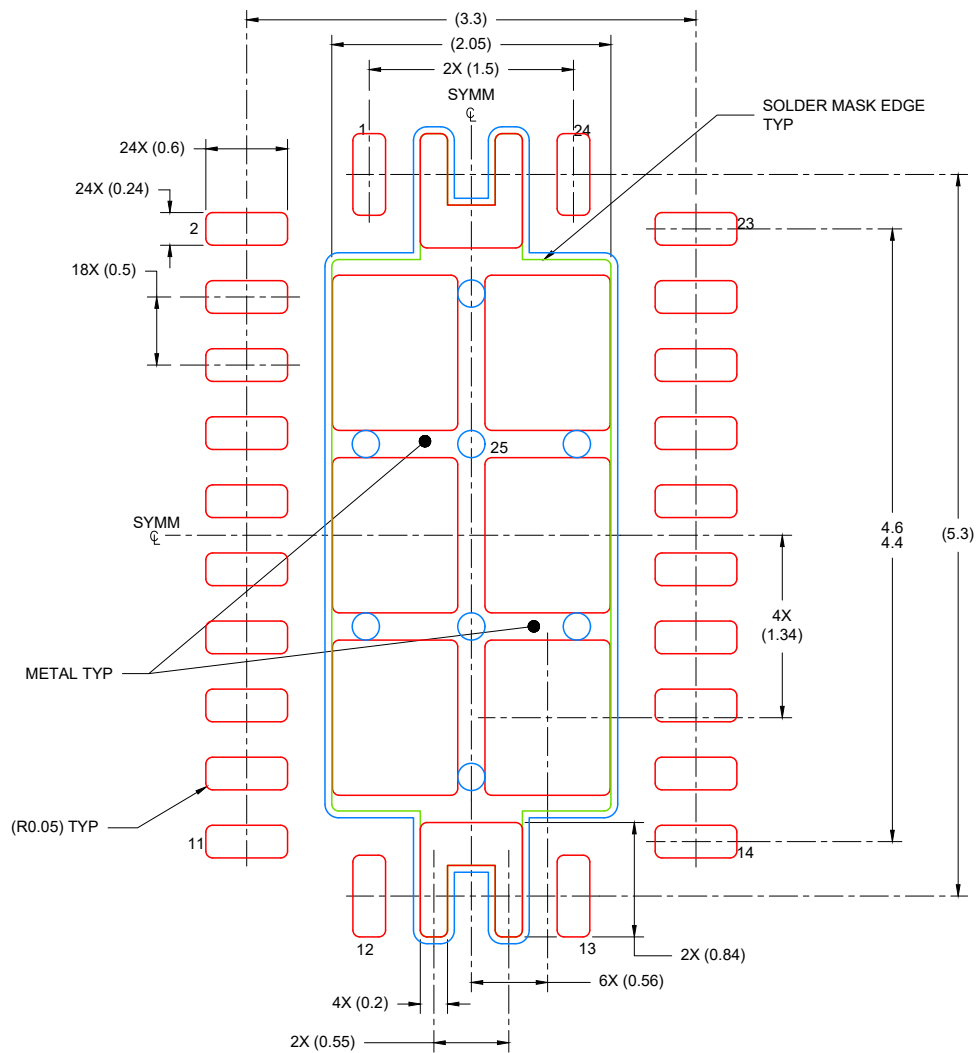
4. This package is designed to be soldered to a thermal pad on the board. For more information, see Texas Instruments literature number SLUA271 (www.ti.com/lit/sluea271).
5. Vias are optional depending on application, refer to device data sheet. If any vias are implemented, refer to their locations shown on this view. It is recommended that vias under paste be filled, plugged or tented.

EXAMPLE STENCIL DESIGN

VQFN - 1 mm max height

RHL0024A

PLASTIC QUAD FLATPACK- NO LEAD



SOLDER PASTE EXAMPLE
BASED ON 0.125 mm THICK STENCIL

EXPOSED PAD
80% PRINTED COVERAGE BY AREA
SCALE: 18X

4225250/B 12/2024

NOTES: (continued)

6. Laser cutting apertures with trapezoidal walls and rounded corners may offer better paste release. IPC-7525 may have alternate design recommendations.

IMPORTANT NOTICE AND DISCLAIMER

TI PROVIDES TECHNICAL AND RELIABILITY DATA (INCLUDING DATASHEETS), DESIGN RESOURCES (INCLUDING REFERENCE DESIGNS), APPLICATION OR OTHER DESIGN ADVICE, WEB TOOLS, SAFETY INFORMATION, AND OTHER RESOURCES "AS IS" AND WITH ALL FAULTS, AND DISCLAIMS ALL WARRANTIES, EXPRESS AND IMPLIED, INCLUDING WITHOUT LIMITATION ANY IMPLIED WARRANTIES OF MERCHANTABILITY, FITNESS FOR A PARTICULAR PURPOSE OR NON-INFRINGEMENT OF THIRD PARTY INTELLECTUAL PROPERTY RIGHTS.

These resources are intended for skilled developers designing with TI products. You are solely responsible for (1) selecting the appropriate TI products for your application, (2) designing, validating and testing your application, and (3) ensuring your application meets applicable standards, and any other safety, security, regulatory or other requirements.

These resources are subject to change without notice. TI grants you permission to use these resources only for development of an application that uses the TI products described in the resource. Other reproduction and display of these resources is prohibited. No license is granted to any other TI intellectual property right or to any third party intellectual property right. TI disclaims responsibility for, and you fully indemnify TI and its representatives against any claims, damages, costs, losses, and liabilities arising out of your use of these resources.

TI's products are provided subject to [TI's Terms of Sale](#), [TI's General Quality Guidelines](#), or other applicable terms available either on ti.com or provided in conjunction with such TI products. TI's provision of these resources does not expand or otherwise alter TI's applicable warranties or warranty disclaimers for TI products. Unless TI explicitly designates a product as custom or customer-specified, TI products are standard, catalog, general purpose devices.

TI objects to and rejects any additional or different terms you may propose.

Copyright © 2026, Texas Instruments Incorporated

Last updated 10/2025