

## 具有可配置电压转换的 SN74AXC1T45 单比特位双电源总线收发器

### 1 特性

- 在 0.65V 至 3.6V 范围内进行上行和下行电平转换
- 工作温度：- 40°C 至 +125°C
- 设计采用毛刺信号抑制电路以提高电源定序性能
- 最大静态电流 ( $I_{CCA} + I_{CCB}$ ) 为 10 $\mu$ A (最高 85°C) 和 16 $\mu$ A (最高 125°C)
- 从 1.8V 转换到 3.3V 时，支持高达 500Mbps 的速率
- $V_{CC}$  隔离特性：
  - 如果任何一个  $V_{CC}$  输入低于 100mV，则所有 I/O 输出均禁用且处于高阻抗状态
- $I_{off}$  支持局部关断模式运行
- 闩锁性能超过 100mA，符合 JESD 78 II 类规范的要求
- 静电放电 (ESD) 保护性能超过 JESD 22 规范要求：
  - 8000V 人体放电模型
  - 1000V 充电器件模型

### 2 应用

- 企业与通信
- 工业
- 个人电子产品

### 3 说明

SN74AXC1T45 是一款采用两个独立可配置电源轨的单比特位同相总线收发器。 $V_{CCA}$  和  $V_{CCB}$  电源电压低至 0.65V 时，该器件可正常工作。A 端口用于跟踪  $V_{CCA}$ ，该端口可支持 0.65V 至 3.6V 范围内的任何电源电压。B 端口用于跟踪  $V_{CCB}$ ，该端口也可支持 0.65V 至 3.6V 范围内的任何电源电压。

DIR 引脚决定信号传播的方向。DIR 引脚配置为高电平时，信号转换由端口 A 流向端口 B。DIR 配置为低电平时，则由端口 B 流向端口 A。DIR 引脚以  $V_{CCA}$  为基准，这意味着它的逻辑高电平和逻辑低电平阈值跟踪  $V_{CCA}$  电压。

该器件完全符合使用  $I_{off}$  电流的部分断电应用的规范要求。当器件断电时， $I_{off}$  保护电路可确保不从输入、输出或偏置到特定电压的组合 I/O 获取多余电流，也不向其提供多余电流。

$V_{CC}$  隔离特性可确保当  $V_{CCA}$  或  $V_{CCB}$  低于 100mV 时，I/O 端口均禁用其输出并进入高阻态。

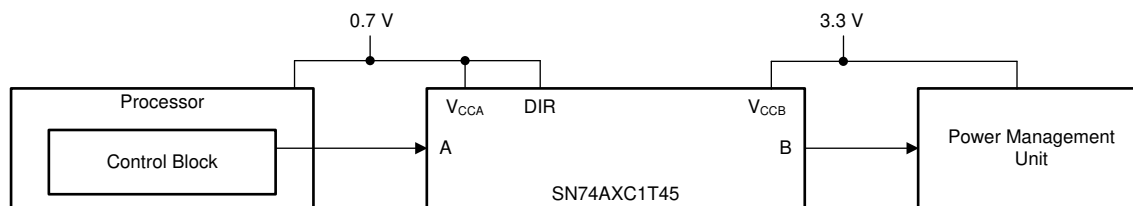
毛刺信号抑制电路使电源轨能以任何顺序打开或关断，从而提供强大的电源定序性能。

#### 器件信息

器件型号 <sup>(1)</sup>	封装	封装尺寸 <sup>(2)</sup>
SN74AXC1T45	DBV (SOT-23, 6)	2.9mm × 2.8mm
	DCK (SC70, 6)	2mm × 2.1mm
	DRL (SOT-5X3, 6)	1.6mm × 1.6mm
	DEA (X2SON, 6)	1mm × 1mm
	DTQ (X2SON, 6)	1mm × 0.8mm

(1) 有关详细信息，请参阅节 11

(2) 封装尺寸 (长 × 宽) 为标称值，并包括引脚 (如适用)。



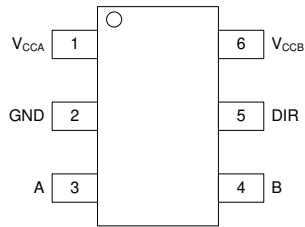
简化版原理图



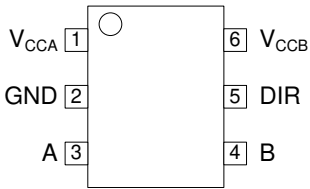
## Table of Contents

<b>1 特性</b> .....	1	7.3 Feature Description.....	20
<b>2 应用</b> .....	1	7.4 Device Functional Modes.....	21
<b>3 说明</b> .....	1	<b>8 Application and Implementation</b> .....	22
<b>4 Pin Configuration and Functions</b> .....	3	8.1 Application Information.....	22
<b>5 Specifications</b> .....	4	8.2 Typical Applications.....	22
5.1 Absolute Maximum Ratings.....	4	8.3 Power Supply Recommendations.....	25
5.2 ESD Ratings.....	4	8.4 Layout.....	25
5.3 Recommended Operating Conditions.....	5	<b>9 Device and Documentation Support</b> .....	27
5.4 Thermal Information.....	5	9.1 Documentation Support.....	27
5.5 Electrical Characteristics.....	6	9.2 接收文档更新通知.....	27
5.6 Switching Characteristics.....	7	9.3 支持资源.....	27
5.7 Operating Characteristics: T <sub>A</sub> = 25°C.....	14	9.4 Trademarks.....	27
5.8 Typical Characteristics.....	15	9.5 静电放电警告.....	27
<b>6 Parameter Measurement Information</b> .....	18	9.6 术语表.....	27
6.1 Load Circuit and Voltage Waveforms.....	18	<b>10 Revision History</b> .....	27
<b>7 Detailed Description</b> .....	20	<b>11 Mechanical, Packaging, and Orderable Information</b> .....	28
7.1 Overview.....	20		
7.2 Functional Block Diagram.....	20		

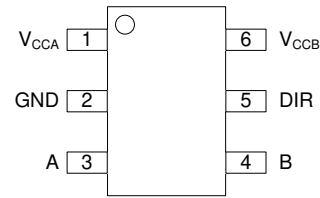
## 4 Pin Configuration and Functions



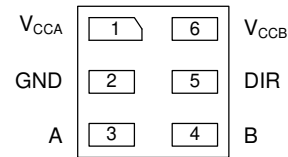
**图 4-1. DBV Package  
6-Pin SOT-23  
(Top View)**



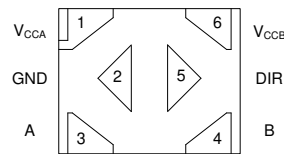
**图 4-3. DRL Package  
6-Pin SOT-5X3  
(Top View)**



**图 4-2. DCK Package  
6-Pin SC70  
(Top View)**



**图 4-4. DEA Package  
6-Pin X2SON  
(Transparent Top View)**



**图 4-5. DTQ Package  
6-Pin X2SON  
(Transparent Top View)**

**表 4-1. Pin Functions**

PIN		TYPE	DESCRIPTION
NAME	NO.		
A	3	I/O	Input or output A. This pin is referenced to $V_{CCA}$ . When this pin is configured as an input, do not leave it floating.
B	4	I/O	Input or output B. This pin is referenced to $V_{CCB}$ . When this pin is configured as an input, do not leave it floating.
DIR	5	I	Direction control signal. Set to Logic High for A-to-B level translation. Set to Logic Low for B-to-A level translation.
GND	2	—	Ground.
$V_{CCA}$	1	—	A-port supply voltage. $0.65\text{ V} \leq V_{CCA} \leq 3.6\text{ V}$ .
$V_{CCB}$	6	—	B-port supply voltage. $0.65\text{ V} \leq V_{CCB} \leq 3.6\text{ V}$ .

## 5 Specifications

### 5.1 Absolute Maximum Ratings

over operating free-air temperature range (unless otherwise noted)<sup>(1)</sup>

			MIN	MAX	UNIT
V <sub>CCA</sub>	Supply voltage A		- 0.5	4.2	V
V <sub>CCB</sub>	Supply voltage B		- 0.5	4.2	V
V <sub>I</sub>	Input Voltage <sup>(2)</sup>	I/O Ports (A Port)	- 0.5	4.2	V
		I/O Ports (B Port)	- 0.5	4.2	
		Control Inputs	- 0.5	4.2	
V <sub>O</sub>	Voltage applied to any output in the high-impedance or power-off state <sup>(2)</sup>	A Port	- 0.5	4.2	V
		B Port	- 0.5	4.2	
V <sub>O</sub>	Voltage applied to any output in the high or low state <sup>(2) (3)</sup>	A Port	- 0.5 V <sub>CCA</sub> + 0.2	V	
		B Port	- 0.5 V <sub>CCB</sub> + 0.2		
I <sub>IK</sub>	Input clamp current	V <sub>I</sub> < 0	- 50		mA
I <sub>OK</sub>	Output clamp current	V <sub>O</sub> < 0	- 50		mA
I <sub>O</sub>	Continuous output current		- 50	50	mA
	Continuous current through V <sub>CC</sub> or GND		- 100	100	
T <sub>J</sub>	Junction Temperature			150	°C
T <sub>STG</sub>	Storage temperature		- 65	150	°C

- (1) Stresses beyond those listed under *Absolute Maximum Ratings* may cause permanent damage to the device. These are stress ratings only, which do not imply functional operation of the device at these or any other conditions beyond those indicated under *Recommended Operating Conditions*. Exposure to absolute-maximum-rated conditions for extended periods may affect device reliability.
- (2) The input voltage and output negative-voltage ratings may be exceeded if the input and output current ratings are observed.
- (3) The output positive-voltage rating may be exceeded up to 4.2V maximum if the output current rating is observed.

### 5.2 ESD Ratings

		VALUE	UNIT
V <sub>(ESD)</sub>	Electrostatic discharge	Human-body model (HBM), per ANSI/ESDA/JEDEC JS-001 <sup>(1)</sup>	±8000
		Charged-device model (CDM), per JEDEC specification JESD22-C101 <sup>(2)</sup>	±1000

- (1) JEDEC document JEP155 states that 500-V HBM allows safe manufacturing with a standard ESD control process.
- (2) JEDEC document JEP157 states that 250-V CDM allows safe manufacturing with a standard ESD control process.

### 5.3 Recommended Operating Conditions

over operating free-air temperature range (unless otherwise noted)<sup>(1) (2) (3)</sup>

		MIN	MAX	UNIT	
V <sub>CCA</sub>	Supply voltage A	0.65	3.6	V	
V <sub>CCB</sub>	Supply voltage B	0.65	3.6	V	
V <sub>IH</sub>	High-level input voltage	Data Inputs	V <sub>CCI</sub> = 0.65 V - 0.75 V	V <sub>CCI</sub> × 0.70	V
			V <sub>CCI</sub> = 0.76 V - 1V	V <sub>CCI</sub> × 0.70	
			V <sub>CCI</sub> = 1.1V - 1.95 V	V <sub>CCI</sub> × 0.65	
			V <sub>CCI</sub> = 2.3V - 2.7V	1.6	
			V <sub>CCI</sub> = 3V - 3.6V	2	
		Control Input (DIR) Referenced to V <sub>CCA</sub>	V <sub>CCA</sub> = 0.65 V - 0.75 V	V <sub>CCA</sub> × 0.70	
			V <sub>CCA</sub> = 0.76 V - 1V	V <sub>CCA</sub> × 0.70	
			V <sub>CCA</sub> = 1.1V - 1.95 V	V <sub>CCA</sub> × 0.65	
			V <sub>CCA</sub> = 2.3V - 2.7V	1.6	
			V <sub>CCA</sub> = 3V - 3.6V	2	
V <sub>IL</sub>	Low-level input voltage	Data Inputs	V <sub>CCI</sub> = 0.65 V - 0.75 V	V <sub>CCI</sub> × 0.30	V
			V <sub>CCI</sub> = 0.76 V - 1V	V <sub>CCI</sub> × 0.30	
			V <sub>CCI</sub> = 1.1V - 1.95 V	V <sub>CCI</sub> × 0.35	
			V <sub>CCI</sub> = 2.3V - 2.7V	0.7	
			V <sub>CCI</sub> = 3V - 3.6V	0.8	
		Control Input (DIR) Referenced to V <sub>CCA</sub>	V <sub>CCA</sub> = 0.65 V - 0.75 V	V <sub>CCA</sub> × 0.30	
			V <sub>CCA</sub> = 0.76 V - 1V	V <sub>CCA</sub> × 0.30	
			V <sub>CCA</sub> = 1.1V - 1.95 V	V <sub>CCA</sub> × 0.35	
			V <sub>CCA</sub> = 2.3V - 2.7V	0.7	
			V <sub>CCA</sub> = 3V - 3.6V	0.8	
V <sub>I</sub>	Input voltage <sup>(3)</sup>	0	3.6	V	
V <sub>O</sub>	Output voltage	Active State	0	V <sub>CCO</sub>	V
		Tri-State	0	3.6	
Δt / Δv	Input transition rate		100	ns/V	
T <sub>A</sub>	Operating free-air temperature	- 40	125	°C	

- (1) V<sub>CCI</sub> is the VCC associated with the input port.
- (2) V<sub>CCO</sub> is the VCC associated with the output port.
- (3) All unused inputs of the device must be held at VCC or GND to ensure proper device operation. Refer to the TI application report, [Implications of Slow or Floating CMOS Inputs](#).

### 5.4 Thermal Information

THERMAL METRIC <sup>(1)</sup>		SN74AXC1T45					UNIT
		DBV (SOT-23)	DCK (SC70)	DRL (SOT-5X3)	DEA (X2SON)	DTQ (X2SON)	
		6 PINS	6 PINS	6 PINS	6 PINS	6 PINS	
R <sub>θJA</sub>	Junction-to-ambient thermal resistance	202.2	235.3	298.9	358.0	327.8	°C/W
R <sub>θJC(top)</sub>	Junction-to-case (top) thermal resistance	137.2	160.5	148.4	201.0	194.9	°C/W
R <sub>θJB</sub>	Junction-to-board thermal resistance	80.2	76.9	165.0	221.8	248.4	°C/W
ψ <sub>JT</sub>	Junction-to-top characterization parameter	64.0	59.7	20.7	26.1	24.1	°C/W
ψ <sub>JB</sub>	Junction-to-board characterization parameter	80.4	77.1	164.9	220.8	247.6	°C/W

- (1) For more information about traditional and new thermal metrics, see the [Semiconductor and IC Package Thermal Metrics application report](#).

## 5.5 Electrical Characteristics

over operating free-air temperature range (unless otherwise noted) <sup>(1)</sup> <sup>(2)</sup>

PARAMETER	TEST CONDITIONS	V <sub>CCA</sub>	V <sub>CCB</sub>	Operating free-air temperature (T <sub>A</sub> )						UNIT
				- 40°C to 85°C			- 40°C to 125°C			
				MIN	TYP <sup>(3)</sup>	MAX	MIN	TYP	MAX	
V <sub>OH</sub>	High-level output voltage	V <sub>I</sub> = V <sub>IH</sub>	I <sub>OH</sub> = -100μA	0.7V - 3.6V	0.7V - 3.6V	V <sub>CCO</sub> - 0.1		V <sub>CCO</sub> - 0.1		V
			I <sub>OH</sub> = -50μA	0.65 V	0.65 V	0.55		0.55		
			I <sub>OH</sub> = -200μA	0.76 V	0.76 V	0.58		0.58		
			I <sub>OH</sub> = -500μA	0.85 V	0.85 V	0.65		0.65		
			I <sub>OH</sub> = -3mA	1.1V	1.1V	0.85		0.85		
			I <sub>OH</sub> = -6mA	1.4V	1.4V	1.05		1.05		
			I <sub>OH</sub> = -8mA	1.65 V	1.65 V	1.2		1.2		
			I <sub>OH</sub> = -9mA	2.3V	2.3V	1.75		1.75		
			I <sub>OH</sub> = -12mA	3V	3V	2.3		2.3		
V <sub>OL</sub>	Low-level output voltage	V <sub>I</sub> = V <sub>IL</sub>	I <sub>OL</sub> = 100μA	0.7V - 3.6V	0.7V - 3.6V	0.1		0.1		V
			I <sub>OL</sub> = 50μA	0.65 V	0.65 V	0.1		0.1		
			I <sub>OL</sub> = 200μA	0.76 V	0.76 V	0.18		0.18		
			I <sub>OL</sub> = 500μA	0.85 V	0.85 V	0.2		0.2		
			I <sub>OL</sub> = 3mA	1.1V	1.1V	0.25		0.25		
			I <sub>OL</sub> = 6mA	1.4V	1.4V	0.35		0.35		
			I <sub>OL</sub> = 8mA	1.65 V	1.65 V	0.45		0.45		
			I <sub>OL</sub> = 9mA	2.3V	2.3V	0.55		0.55		
			I <sub>OL</sub> = 12mA	3V	3V	0.7		0.7		
I <sub>I</sub>	Input leakage current	Control input (DIR): V <sub>I</sub> = V <sub>CCA</sub> or GND		0.65 V- 3.6V	0.65 V- 3.6V	- 1	1	- 1.5	1.5	μA
		A or B Port: V <sub>I</sub> = V <sub>CCI</sub> or GND		0.65 V- 3.6V	0.65 V- 3.6V	- 4	4	- 8	8	
I <sub>off</sub>	Partial power down current	A or B Port: V <sub>I</sub> or V <sub>O</sub> = 0V - 3.6V		0V	0V - 3.6V	- 5	5	- 7.5	7.5	μA
				0V - 3.6V	0V	- 5	5	- 7.5	7.5	
I <sub>CCA</sub>	V <sub>CCA</sub> supply current	V <sub>I</sub> = V <sub>CCI</sub> or GND	I <sub>O</sub> = 0	0.65 V- 3.6V	0.65 V- 3.6V	8		12		μA
				0V	3.6V	- 2		- 8		
				3.6V	0V	2		8		
I <sub>CCB</sub>	V <sub>CCB</sub> supply current	V <sub>I</sub> = V <sub>CCI</sub> or GND	I <sub>O</sub> = 0	0.65 V- 3.6V	0.65 V- 3.6V	8		12		μA
				0V	3.6V	2		8		
				3.6V	0V	- 2		- 8		
I <sub>CCA</sub> + I <sub>CCB</sub>	Combined supply current	V <sub>I</sub> = V <sub>CCI</sub> or GND	I <sub>O</sub> = 0	0.65 V- 3.6V	0.65 V- 3.6V	10		16		μA
C <sub>I</sub>	Control input capacitance	V <sub>I</sub> = 3.3V or GND		3.3V	3.3V	4.4		4.4		pF
C <sub>IO</sub>	Data I/O capacitance, A Port	V <sub>O</sub> = 1.65V DC +1 MHz -16 dBm sine wave		3.3V	0V	5		5		pF
C <sub>IO</sub>	Data I/O capacitance, B Port	V <sub>O</sub> = 1.65V DC +1 MHz -16 dBm sine wave		0V	3.3V	5		5		pF

(1) V<sub>CCI</sub> is the VCC associated with the input port.

(2) V<sub>CCO</sub> is the VCC associated with the output port.

(3) All typical data is taken at 25°C.

## 5.6 Switching Characteristics

表 5-1. Switching Characteristics,  $V_{CCA} = 0.7V$

PARAMETER	FROM	TO	TEST CONDITIONS	B - PORT SUPPLY VOLTAGE ( $V_{CCB}$ )																UNIT
				0.7 ± 0.05 V		0.8 ± 0.04 V		0.9 ± 0.045 V		1.2 ± 0.1V		1.5 ± 0.1V		1.8 ± 0.15 V		2.5 ± 0.2V		3.3 ± 0.3V		
				MIN	MAX	MIN	MAX	MIN	MAX	MIN	MAX	MIN	MAX	MIN	MAX	MIN	MAX	MIN	MAX	
$t_{pd}$ Propagation delay	A	B	-40°C to 85°C	0.5	173	0.5	117	0.5	85	0.5	51	0.5	50	0.5	53	0.5	65	0.5	143	ns
			-40°C to 125°C	0.5	173	0.5	117	0.5	85	0.5	51	0.5	50	0.5	53	0.5	65	0.5	143	
	B	A	-40°C to 85°C	0.5	173	0.5	154	0.5	127	0.5	88	0.5	83	0.5	82	0.5	80	0.5	80	
			-40°C to 125°C	0.5	173	0.5	154	0.5	127	0.5	88	0.5	83	0.5	82	0.5	80	0.5	80	
$t_{dis}$ Disable time	DIR	A	-40°C to 85°C	0.5	143	0.5	143	0.5	143	0.5	143	0.5	143	0.5	143	0.5	143	0.5	143	ns
			-40°C to 125°C	0.5	143	0.5	143	0.5	143	0.5	143	0.5	143	0.5	143	0.5	143	0.5	143	
	DIR	B	-40°C to 85°C	0.5	163	0.5	123	0.5	100	0.5	50	0.5	45	0.5	49	0.5	61	0.5	109	
			-40°C to 125°C	0.5	163	0.5	123	0.5	100	0.5	50	0.5	45	0.5	49	0.5	61	0.5	109	
$t_{en}$ Enable time	DIR	A	-40°C to 85°C	0.5	389	0.5	331	0.5	287	0.5	143	0.5	134	0.5	137	0.5	147	0.5	200	ns
			-40°C to 125°C	0.5	406	0.5	333	0.5	287	0.5	143	0.5	134	0.5	137	0.5	147	0.5	200	
	DIR	B	-40°C to 85°C	0.5	369	0.5	313	0.5	281	0.5	247	0.5	246	0.5	249	0.5	261	0.5	339	
			-40°C to 125°C	0.5	395	0.5	339	0.5	307	0.5	273	0.5	272	0.5	275	0.5	287	0.5	365	

表 5-2. Switching Characteristics,  $V_{CCA} = 0.8V$

PARAMETER	FROM	TO	TEST CONDITIONS	B - PORT SUPPLY VOLTAGE ( $V_{CCB}$ )																UNIT
				0.7 ± 0.05 V		0.8 ± 0.04 V		0.9 ± 0.045 V		1.2 ± 0.1V		1.5 ± 0.1V		1.8 ± 0.15 V		2.5 ± 0.2V		3.3 ± 0.3V		
				MIN	MAX	MIN	MAX	MIN	MAX	MIN	MAX	MIN	MAX	MIN	MAX	MIN	MAX	MIN	MAX	
$t_{pd}$ Propagation delay	A	B	-40°C to 85°C	0.5	153	0.5	95	0.5	64	0.5	33	0.5	27	0.5	26	0.5	27	0.5	36	ns
			-40°C to 125°C	0.5	153	0.5	95	0.5	64	0.5	33	0.5	27	0.5	26	0.5	27	0.5	36	
	B	A	-40°C to 85°C	0.5	117	0.5	96	0.5	78	0.5	52	0.5	42	0.5	41	0.5	40	0.5	39	
			-40°C to 125°C	0.5	117	0.5	96	0.5	78	0.5	52	0.5	42	0.5	41	0.5	40	0.5	39	
$t_{dis}$ Disable time	DIR	A	-40°C to 85°C	0.5	100	0.5	100	0.5	100	0.5	100	0.5	100	0.5	100	0.5	100	0.5	100	ns
			-40°C to 125°C	0.5	100	0.5	100	0.5	100	0.5	100	0.5	100	0.5	100	0.5	100	0.5	100	
	DIR	B	-40°C to 85°C	0.5	151	0.5	111	0.5	88	0.5	38	0.5	32	0.5	30	0.5	30	0.5	38	
			-40°C to 125°C	0.5	151	0.5	111	0.5	88	0.5	38	0.5	32	0.5	30	0.5	30	0.5	38	
$t_{en}$ Enable time	DIR	A	-40°C to 85°C	0.5	321	0.5	261	0.5	226	0.5	96	0.5	80	0.5	78	0.5	76	0.5	87	ns
			-40°C to 125°C	0.5	341	0.5	266	0.5	229	0.5	97	0.5	80	0.5	78	0.5	76	0.5	87	
	DIR	B	-40°C to 85°C	0.5	309	0.5	251	0.5	220	0.5	189	0.5	183	0.5	182	0.5	183	0.5	192	
			-40°C to 125°C	0.5	317	0.5	259	0.5	228	0.5	197	0.5	191	0.5	190	0.5	191	0.5	200	

表 5-3. Switching Characteristics,  $V_{CCA} = 0.9V$ 

PARAMETER	FROM	TO	TEST CONDITIONS	B - PORT SUPPLY VOLTAGE ( $V_{CCB}$ )														UNIT		
				0.7 ± 0.05 V		0.8 ± 0.04 V		0.9 ± 0.045 V		1.2 ± 0.1V		1.5 ± 0.1V		1.8 ± 0.15 V		2.5 ± 0.2V			3.3 ± 0.3V	
				MIN	MAX	MIN	MAX	MIN	MAX	MIN	MAX	MIN	MAX	MIN	MAX	MIN	MAX		MIN	MAX
$t_{pd}$ Propagation delay	A	B	- 40°C to 85°C	0.5	126	0.5	78	0.5	52	0.5	23	0.5	18	0.5	16	0.5	15	0.5	18	ns
			- 40°C to 125°C	0.5	126	0.5	78	0.5	52	0.5	23	0.5	18	0.5	16	0.5	15	0.5	18	
	B	A	- 40°C to 85°C	0.5	85	0.5	64	0.5	53	0.5	40	0.5	28	0.5	24	0.5	22	0.5	21	
			- 40°C to 125°C	0.5	85	0.5	64	0.5	53	0.5	40	0.5	28	0.5	24	0.5	22	0.5	21	
$t_{dis}$ Disable time	DIR	A	- 40°C to 85°C	0.5	75	0.5	75	0.5	75	0.5	75	0.5	75	0.5	75	0.5	75	0.5	75	ns
			- 40°C to 125°C	0.5	79	0.5	79	0.5	79	0.5	79	0.5	79	0.5	79	0.5	79	0.5	79	
	DIR	B	- 40°C to 85°C	0.5	144	0.5	105	0.5	82	0.5	32	0.5	25	0.5	24	0.5	21	0.5	23	
			- 40°C to 125°C	0.5	144	0.5	105	0.5	83	0.5	36	0.5	28	0.5	26	0.5	21	0.5	23	
$t_{en}$ Enable time	DIR	A	- 40°C to 85°C	0.5	282	0.5	223	0.5	195	0.5	77	0.5	59	0.5	54	0.5	48	0.5	54	ns
			- 40°C to 125°C	0.5	304	0.5	229	0.5	199	0.5	81	0.5	62	0.5	56	0.5	49	0.5	54	
	DIR	B	- 40°C to 85°C	0.5	262	0.5	214	0.5	188	0.5	159	0.5	154	0.5	152	0.5	151	0.5	154	
			- 40°C to 125°C	0.5	269	0.5	221	0.5	195	0.5	166	0.5	161	0.5	159	0.5	158	0.5	161	

表 5-4. Switching Characteristics,  $V_{CCA} = 1.2V$ 

PARAMETER	FROM	TO	TEST CONDITIONS	B - PORT SUPPLY VOLTAGE ( $V_{CCB}$ )														UNIT		
				0.7 ± 0.05 V		0.8 ± 0.04 V		0.9 ± 0.045 V		1.2 ± 0.1V		1.5 ± 0.1V		1.8 ± 0.15 V		2.5 ± 0.2V			3.3 ± 0.3V	
				MIN	MAX	MIN	MAX	MIN	MAX	MIN	MAX	MIN	MAX	MIN	MAX	MIN	MAX		MIN	MAX
$t_{pd}$ Propagation delay	A	B	- 40°C to 85°C	0.5	87	0.5	52	0.5	39	0.5	15	0.5	9	0.5	8	0.5	7	0.5	7	ns
			- 40°C to 125°C	0.5	87	0.5	52	0.5	39	0.5	15	0.5	10	0.5	9	0.5	7	0.5	8	
	B	A	- 40°C to 85°C	0.5	51	0.5	33	0.5	23	0.5	15	0.5	12	0.5	10	0.5	7	0.5	7	
			- 40°C to 125°C	0.5	51	0.5	33	0.5	23	0.5	15	0.5	12	0.5	10	0.5	8	0.5	7	



表 5-4. Switching Characteristics,  $V_{CCA} = 1.2V$  (续)

PARAMETER	FROM	TO	TEST CONDITIONS	B - PORT SUPPLY VOLTAGE ( $V_{CCB}$ )														UNIT		
				0.7 ± 0.05 V		0.8 ± 0.04 V		0.9 ± 0.045 V		1.2 ± 0.1V		1.5 ± 0.1V		1.8 ± 0.15 V		2.5 ± 0.2V			3.3 ± 0.3V	
				MIN	MAX	MIN	MAX	MIN	MAX	MIN	MAX	MIN	MAX	MIN	MAX	MIN	MAX		MIN	MAX
$t_{dis}$ Disable time	DIR	A	- 40°C to 85°C	0.5	22	0.5	22	0.5	22	0.5	22	0.5	22	0.5	22	0.5	22	0.5	22	ns
			- 40°C to 125°C	0.5	29	0.5	29	0.5	29	0.5	29	0.5	29	0.5	29	0.5	29	0.5	29	
	DIR	B	- 40°C to 85°C	0.5	137	0.5	98	0.5	74	0.5	24	0.5	18	0.5	16	0.5	13	0.5	13	
			- 40°C to 125°C	0.5	137	0.5	98	0.5	78	0.5	30	0.5	23	0.5	21	0.5	17	0.5	16	
$t_{en}$ Enable time	DIR	A	- 40°C to 85°C	0.5	240	0.5	185	0.5	157	0.5	45	0.5	36	0.5	33	0.5	26	0.5	29	ns
			- 40°C to 125°C	0.5	265	0.5	193	0.5	164	0.5	51	0.5	41	0.5	37	0.5	30	0.5	32	
	DIR	B	- 40°C to 85°C	0.5	115	0.5	80	0.5	67	0.5	43	0.5	37	0.5	36	0.5	35	0.5	35	
			- 40°C to 125°C	0.5	121	0.5	86	0.5	73	0.5	49	0.5	44	0.5	43	0.5	41	0.5	42	

表 5-5. Switching Characteristics,  $V_{CCA} = 1.5V$ 

PARAMETER	FROM	TO	TEST CONDITIONS	B - PORT SUPPLY VOLTAGE ( $V_{CCB}$ )														UNIT		
				0.7 ± 0.05 V		0.8 ± 0.04 V		0.9 ± 0.045 V		1.2 ± 0.1V		1.5 ± 0.1V		1.8 ± 0.15 V		2.5 ± 0.2V			3.3 ± 0.3V	
				MIN	MAX	MIN	MAX	MIN	MAX	MIN	MAX	MIN	MAX	MIN	MAX	MIN	MAX		MIN	MAX
$t_{pd}$ Propagation delay	A	B	- 40°C to 85°C	0.5	83	0.5	42	0.5	28	0.5	12	0.5	8	0.5	7	0.5	5	0.5	5	ns
			- 40°C to 125°C	0.5	83	0.5	42	0.5	28	0.5	12	0.5	9	0.5	8	0.5	6	0.5	6	
	B	A	- 40°C to 85°C	0.5	50	0.5	28	0.5	18	0.5	10	0.5	8	0.5	7	0.5	5	0.5	4	
			- 40°C to 125°C	0.5	50	0.5	28	0.5	18	0.5	10	0.5	9	0.5	8	0.5	6	0.5	5	
$t_{dis}$ Disable time	DIR	A	- 40°C to 85°C	0.5	15	0.5	15	0.5	15	0.5	15	0.5	15	0.5	15	0.5	15	0.5	15	ns
			- 40°C to 125°C	0.5	20	0.5	20	0.5	20	0.5	20	0.5	20	0.5	20	0.5	20	0.5	20	
	DIR	B	- 40°C to 85°C	0.5	136	0.5	96	0.5	72	0.5	22	0.5	16	0.5	14	0.5	11	0.5	11	
			- 40°C to 125°C	0.5	136	0.5	96	0.5	76	0.5	29	0.5	21	0.5	19	0.5	15	0.5	14	
$t_{en}$ Enable time	DIR	A	- 40°C to 85°C	0.5	238	0.5	178	0.5	151	0.5	38	0.5	30	0.5	28	0.5	22	0.5	24	ns
			- 40°C to 125°C	0.5	263	0.5	186	0.5	157	0.5	44	0.5	36	0.5	33	0.5	26	0.5	27	
	DIR	B	- 40°C to 85°C	0.5	104	0.5	63	0.5	49	0.5	33	0.5	29	0.5	28	0.5	26	0.5	26	
			- 40°C to 125°C	0.5	109	0.5	68	0.5	54	0.5	38	0.5	35	0.5	34	0.5	32	0.5	32	

表 5-6. Switching Characteristics,  $V_{CCA} = 1.8V$ 

PARAMETER	FROM	TO	TEST CONDITIONS	B - PORT SUPPLY VOLTAGE ( $V_{CCB}$ )														UNIT		
				0.7 ± 0.05 V		0.8 ± 0.04 V		0.9 ± 0.045 V		1.2 ± 0.1V		1.5 ± 0.1V		1.8 ± 0.15 V		2.5 ± 0.2V			3.3 ± 0.3V	
				MIN	MAX	MIN	MAX	MIN	MAX	MIN	MAX	MIN	MAX	MIN	MAX	MIN	MAX		MIN	MAX
$t_{pd}$ Propagation delay	A	B	- 40°C to 85°C	0.5	81	0.5	41	0.5	24	0.5	10	0.5	7	0.5	6	0.5	5	0.5	4	ns
			- 40°C to 125°C	0.5	81	0.5	41	0.5	24	0.5	10	0.5	8	0.5	7	0.5	5	0.5	5	
	B	A	- 40°C to 85°C	0.5	53	0.5	26	0.5	16	0.5	8	0.5	7	0.5	6	0.5	5	0.5	4	
			- 40°C to 125°C	0.5	53	0.5	26	0.5	16	0.5	9	0.5	7	0.5	7	0.5	5	0.5	4	

**表 5-6. Switching Characteristics,  $V_{CCA} = 1.8V$  (续)**

PARAMETER	FROM	TO	TEST CONDITIONS	B - PORT SUPPLY VOLTAGE ( $V_{CCB}$ )														UNIT		
				0.7 ± 0.05 V		0.8 ± 0.04 V		0.9 ± 0.045 V		1.2 ± 0.1V		1.5 ± 0.1V		1.8 ± 0.15 V		2.5 ± 0.2V			3.3 ± 0.3V	
				MIN	MAX	MIN	MAX	MIN	MAX	MIN	MAX	MIN	MAX	MIN	MAX	MIN	MAX		MIN	MAX
$t_{dis}$ Disable time	DIR	A	- 40°C to 85°C	0.5	13	0.5	13	0.5	13	0.5	13	0.5	13	0.5	13	0.5	13	0.5	13	ns
			- 40°C to 125°C	0.5	18	0.5	18	0.5	18	0.5	18	0.5	18	0.5	18	0.5	18	0.5	18	
	DIR	B	- 40°C to 85°C	0.5	136	0.5	96	0.5	72	0.5	22	0.5	15	0.5	14	0.5	11	0.5	11	
			- 40°C to 125°C	0.5	136	0.5	96	0.5	75	0.5	28	0.5	20	0.5	18	0.5	14	0.5	13	
$t_{en}$ Enable time	DIR	A	- 40°C to 85°C	0.5	241	0.5	176	0.5	148	0.5	35	0.5	28	0.5	26	0.5	21	0.5	24	ns
			- 40°C to 125°C	0.5	266	0.5	184	0.5	155	0.5	42	0.5	33	0.5	32	0.5	24	0.5	26	
	DIR	B	- 40°C to 85°C	0.5	101	0.5	61	0.5	44	0.5	30	0.5	27	0.5	26	0.5	25	0.5	24	
			- 40°C to 125°C	0.5	105	0.5	65	0.5	48	0.5	34	0.5	32	0.5	31	0.5	29	0.5	29	

表 5-7. Switching Characteristics,  $V_{CCA} = 2.5V$ 

PARAMETER	FROM	TO	TEST CONDITIONS	B - PORT SUPPLY VOLTAGE ( $V_{CCB}$ )														UNIT		
				0.7 ± 0.05 V		0.8 ± 0.04 V		0.9 ± 0.045 V		1.2 ± 0.1V		1.5 ± 0.1V		1.8 ± 0.15 V		2.5 ± 0.2V			3.3 ± 0.3V	
				MIN	MAX	MIN	MAX	MIN	MAX	MIN	MAX	MIN	MAX	MIN	MAX	MIN	MAX		MIN	MAX
$t_{pd}$ Propagation delay	A	B	- 40°C to 85°C	0.5	80	0.5	40	0.5	22	0.5	7	0.5	5	0.5	5	0.5	4	0.5	4	ns
			- 40°C to 125°C	0.5	80	0.5	40	0.5	22	0.5	8	0.5	6	0.5	5	0.5	5	0.5	4	
	B	A	- 40°C to 85°C	0.5	66	0.5	27	0.5	15	0.5	7	0.5	5	0.5	5	0.5	4	0.5	3	
			- 40°C to 125°C	0.5	66	0.5	27	0.5	15	0.5	7	0.5	6	0.5	5	0.5	5	0.5	4	
$t_{dis}$ Disable time	DIR	A	- 40°C to 85°C	0.5	10	0.5	10	0.5	10	0.5	10	0.5	10	0.5	10	0.5	10	0.5	10	ns
			- 40°C to 125°C	0.5	13	0.5	13	0.5	13	0.5	13	0.5	13	0.5	13	0.5	13	0.5	13	
	DIR	B	- 40°C to 85°C	0.5	136	0.5	95	0.5	71	0.5	21	0.5	14	0.5	13	0.5	10	0.5	10	
			- 40°C to 125°C	0.5	136	0.5	95	0.5	75	0.5	27	0.5	20	0.5	17	0.5	13	0.5	12	
$t_{en}$ Enable time	DIR	A	- 40°C to 85°C	0.5	254	0.5	176	0.5	147	0.5	33	0.5	25	0.5	24	0.5	19	0.5	22	ns
			- 40°C to 125°C	0.5	278	0.5	185	0.5	153	0.5	39	0.5	31	0.5	29	0.5	23	0.5	25	
	DIR	B	- 40°C to 85°C	0.5	99	0.5	55	0.5	41	0.5	22	0.5	24	0.5	20	0.5	23	0.5	19	
			- 40°C to 125°C	0.5	98	0.5	58	0.5	40	0.5	26	0.5	24	0.5	23	0.5	23	0.5	22	

表 5-8. Switching Characteristics,  $V_{CCA} = 3.3V$ 

PARAMETER	FROM	TO	TEST CONDITIONS	B - PORT SUPPLY VOLTAGE ( $V_{CCB}$ )														UNIT		
				0.7 ± 0.05 V		0.8 ± 0.04 V		0.9 ± 0.045 V		1.2 ± 0.1V		1.5 ± 0.1V		1.8 ± 0.15 V		2.5 ± 0.2V			3.3 ± 0.3V	
				MIN	MAX	MIN	MAX	MIN	MAX	MIN	MAX	MIN	MAX	MIN	MAX	MIN	MAX		MIN	MAX
$t_{pd}$ Propagation delay	A	B	- 40°C to 85°C	0.5	79	0.5	39	0.5	22	0.5	7	0.5	4	0.5	4	0.5	3	0.5	3	ns
			- 40°C to 125°C	0.5	79	0.5	39	0.5	22	0.5	7	0.5	5	0.5	4	0.5	4	0.5	4	
	B	A	- 40°C to 85°C	0.5	144	0.5	36	0.5	18	0.5	7	0.5	5	0.5	4	0.5	4	0.5	3	
			- 40°C to 125°C	0.5	144	0.5	36	0.5	18	0.5	8	0.5	6	0.5	5	0.5	4	0.5	4	

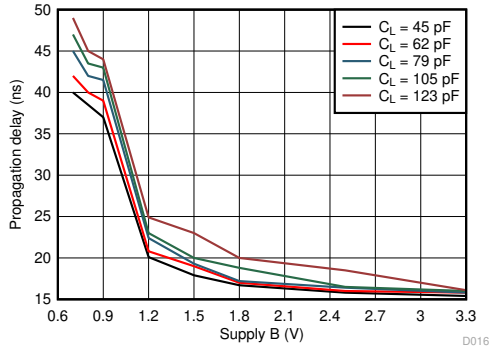
表 5-8. Switching Characteristics,  $V_{CCA} = 3.3V$  (续)

PARAMETER	FROM	TO	TEST CONDITIONS	B - PORT SUPPLY VOLTAGE ( $V_{CCB}$ )														UNIT		
				0.7 ± 0.05 V		0.8 ± 0.04 V		0.9 ± 0.045 V		1.2 ± 0.1V		1.5 ± 0.1V		1.8 ± 0.15 V		2.5 ± 0.2V			3.3 ± 0.3V	
				MIN	MAX	MIN	MAX	MIN	MAX	MIN	MAX	MIN	MAX	MIN	MAX	MIN	MAX		MIN	MAX
$t_{dis}$ Disable time	DIR	A	- 40°C to 85°C	0.5	9	0.5	9	0.5	9	0.5	9	0.5	9	0.5	9	0.5	9	0.5	9	ns
			- 40°C to 125°C	0.5	12	0.5	12	0.5	12	0.5	12	0.5	12	0.5	12	0.5	12	0.5	12	
	DIR	B	- 40°C to 85°C	0.5	136	0.5	95	0.5	71	0.5	21	0.5	14	0.5	12	0.5	10	0.5	10	
			- 40°C to 125°C	0.5	136	0.5	95	0.5	75	0.5	27	0.5	19	0.5	17	0.5	13	0.5	12	
$t_{en}$ Enable time	DIR	A	- 40°C to 85°C	0.5	331	0.5	185	0.5	149	0.5	33	0.5	25	0.5	23	0.5	19	0.5	22	ns
			- 40°C to 125°C	0.5	356	0.5	93	0.5	156	0.5	40	0.5	31	0.5	29	0.5	22	0.5	24	
	DIR	B	- 40°C to 85°C	0.5	98	0.5	58	0.5	41	0.5	26	0.5	23	0.5	23	0.5	22	0.5	22	
			- 40°C to 125°C	0.5	99	0.5	59	0.5	42	0.5	27	0.5	25	0.5	24	0.5	24	0.5	24	

5.7 Operating Characteristics: T<sub>A</sub> = 25°C

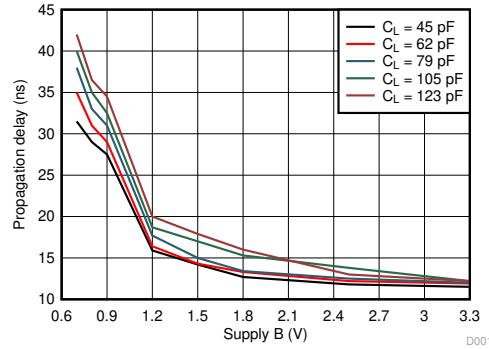
PARAMETER		TEST CONDITIONS	V <sub>CCA</sub>	V <sub>CCB</sub>	MIN	TYP	MAX	UNIT
C <sub>pdA</sub>	Power Dissipation Capacitance per transceiver (A to B)	C <sub>L</sub> = 0, R <sub>L</sub> = Open f = 1 MHz, t <sub>r</sub> = t <sub>f</sub> = 1 ns	0.7V	0.7V		1.3		pF
			0.8V	0.8V		1.3		
			0.9V	0.9V		1.3		
			1.2V	1.2V		1.3		
			1.5V	1.5V		1.3		
			1.8V	1.8V		1.4		
			2.5V	2.5V		1.7		
	Power Dissipation Capacitance per transceiver (B to A)	C <sub>L</sub> = 0, R <sub>L</sub> = Open f = 1 MHz, t <sub>r</sub> = t <sub>f</sub> = 1 ns	0.7V	0.7V		9.2		pF
			0.8V	0.8V		9.4		
			0.9V	0.9V		9.4		
			1.2V	1.2V		9.8		
			1.5V	1.5V		10.1		
			1.8V	1.8V		11.0		
			2.5V	2.5V		14.4		
C <sub>pdB</sub>	Power Dissipation Capacitance per transceiver (A to B)	C <sub>L</sub> = 0, R <sub>L</sub> = Open f = 1 MHz, t <sub>r</sub> = t <sub>f</sub> = 1 ns	0.7V	0.7V		9.2		pF
			0.8V	0.8V		9.3		
			0.9V	0.9V		9.4		
			1.2V	1.2V		9.7		
			1.5V	1.5V		10.1		
			1.8V	1.8V		11.0		
			2.5V	2.5V		14.4		
	Power Dissipation Capacitance per transceiver (B to A)	C <sub>L</sub> = 0, R <sub>L</sub> = Open f = 1 MHz, t <sub>r</sub> = t <sub>f</sub> = 1 ns	0.7V	0.7V		1.3		pF
			0.8V	0.8V		1.3		
			0.9V	0.9V		1.3		
			1.2V	1.2V		1.3		
			1.5V	1.5V		1.3		
			1.8V	1.8V		1.4		
			2.5V	2.5V		1.7		
			3.3V	3.3V		2.1		

### 5.8 Typical Characteristics



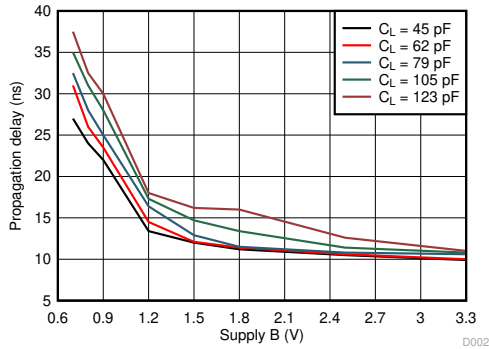
$T_A = 25^\circ\text{C}$   $V_{CCA} = 0.7\text{V}$

图 5-1. Typical Propagation Delay of Low-to-High (A to B) vs Load Capacitance



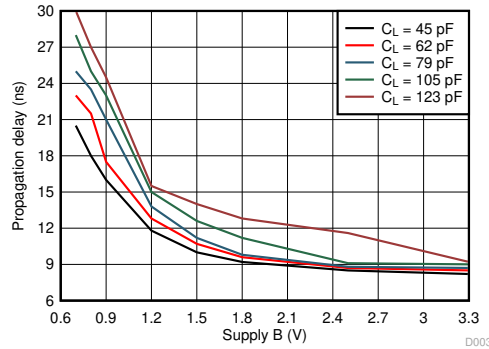
$T_A = 25^\circ\text{C}$   $V_{CCA} = 0.8\text{V}$

图 5-2. Typical Propagation Delay of Low-to-High (A to B) vs Load Capacitance



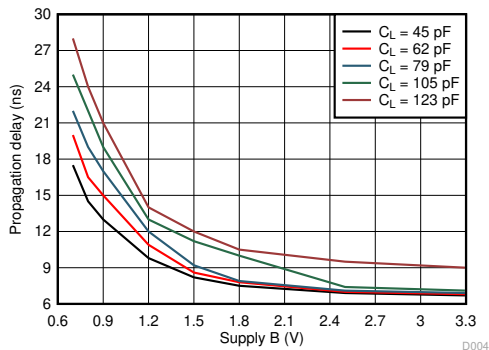
$T_A = 25^\circ\text{C}$   $V_{CCA} = 0.9\text{V}$

图 5-3. Typical Propagation Delay of Low-to-High (A to B) vs Load Capacitance



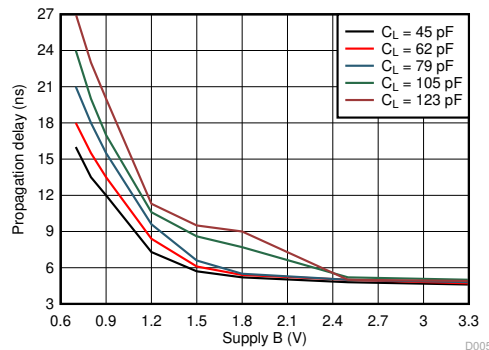
$T_A = 25^\circ\text{C}$   $V_{CCA} = 1.2\text{V}$

图 5-4. Typical Propagation Delay of Low-to-High (A to B) vs Load Capacitance



$T_A = 25^\circ\text{C}$   $V_{CCA} = 1.5\text{V}$

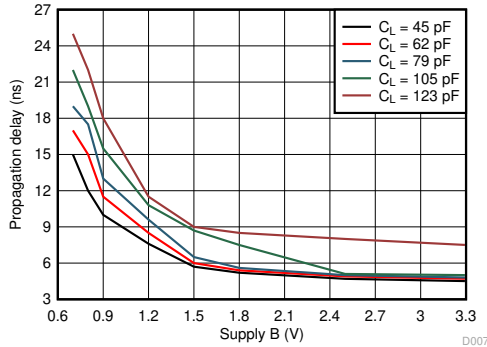
图 5-5. Typical Propagation Delay of Low-to-High (A to B) vs Load Capacitance



$T_A = 25^\circ\text{C}$   $V_{CCA} = 1.8\text{V}$

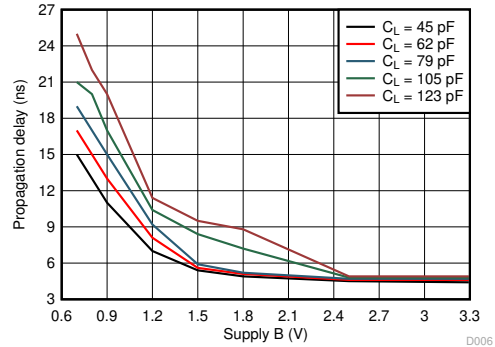
图 5-6. Typical Propagation Delay of Low-to-High (A to B) vs Load Capacitance

**5.8 Typical Characteristics (continued)**



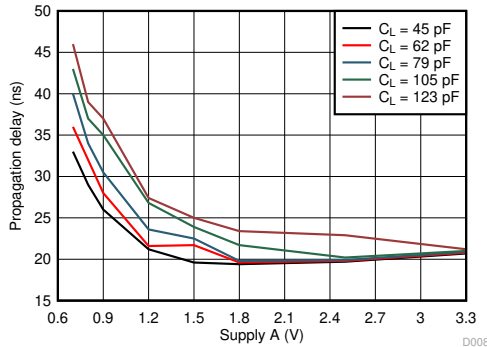
$T_A = 25^\circ\text{C}$   $V_{CCA} = 3.3\text{V}$

**图 5-7. Typical Propagation Delay of Low-to-High (A to B) vs Load Capacitance**



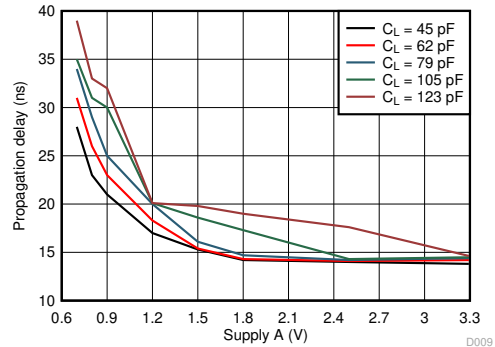
$T_A = 25^\circ\text{C}$   $V_{CCA} = 2.5\text{V}$

**图 5-8. Typical Propagation Delay of Low-to-High (A to B) vs Load Capacitance**



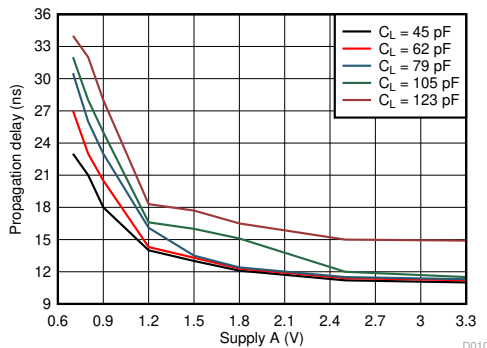
$T_A = 25^\circ\text{C}$   $V_{CCA} = 0.7\text{V}$

**图 5-9. Typical Propagation Delay of Low-to-High (B to A) vs Load Capacitance**



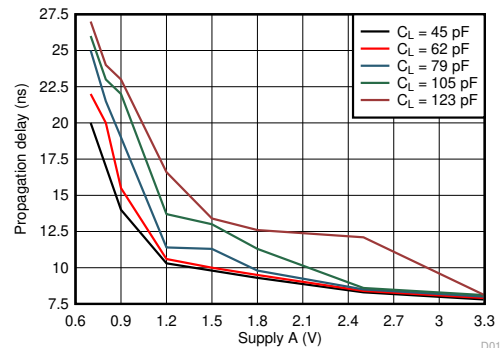
$T_A = 25^\circ\text{C}$   $V_{CCA} = 0.8\text{V}$

**图 5-10. Typical Propagation Delay of Low-to-High (B to A) vs Load Capacitance**



$T_A = 25^\circ\text{C}$   $V_{CCA} = 0.9\text{V}$

**图 5-11. Typical Propagation Delay of Low-to-High (B to A) vs Load Capacitance**

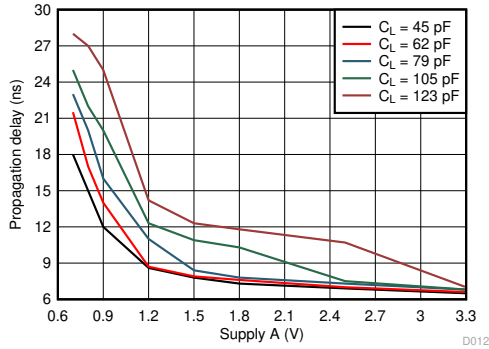


$T_A = 25^\circ\text{C}$   $V_{CCA} = 1.2\text{V}$

**图 5-12. Typical Propagation Delay of Low-to-High (B to A) vs Load Capacitance**

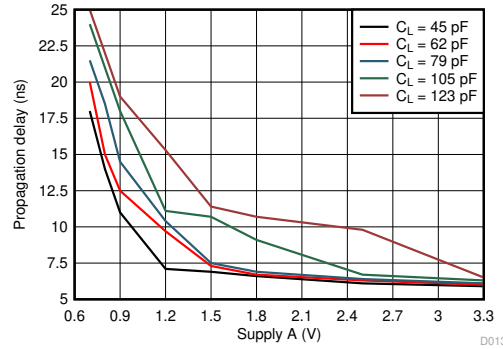


### 5.8 Typical Characteristics (continued)



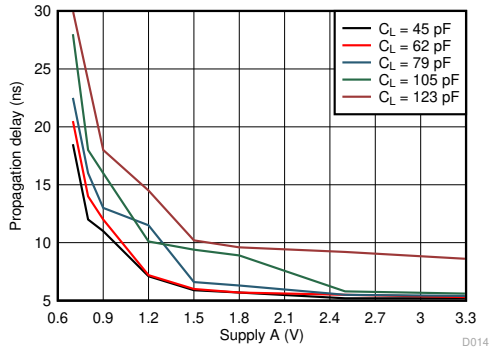
$T_A = 25^\circ\text{C}$   $V_{CCA} = 1.5\text{V}$

图 5-13. Typical Propagation Delay of Low-to-High (B to A) vs Load Capacitance



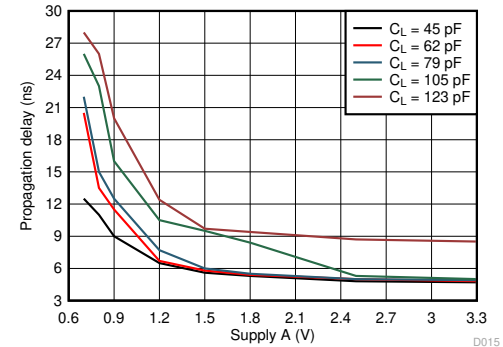
$T_A = 25^\circ\text{C}$   $V_{CCA} = 1.8\text{V}$

图 5-14. Typical Propagation Delay of Low-to-High (B to A) vs Load Capacitance



$T_A = 25^\circ\text{C}$   $V_{CCA} = 2.5\text{V}$

图 5-15. Typical Propagation Delay of Low-to-High (B to A) vs Load Capacitance



$T_A = 25^\circ\text{C}$   $V_{CCA} = 3.3\text{V}$

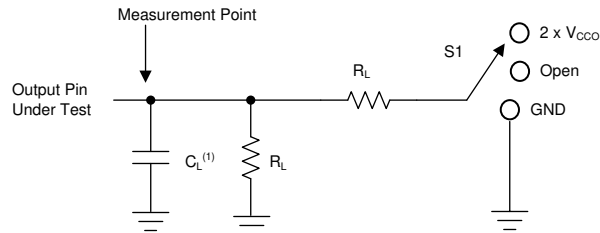
图 5-16. Typical Propagation Delay of Low-to-High (B to A) vs Load Capacitance

## 6 Parameter Measurement Information

### 6.1 Load Circuit and Voltage Waveforms

Unless otherwise noted, all input pulses are supplied by generators having the following characteristics:

- $f = 1 \text{ MHz}$
- $Z_O = 50 \ \Omega$
- $dv/dt \leq 1 \text{ ns/V}$



A.  $C_L$  includes probe and jig capacitance.

图 6-1. Load Circuit

表 6-1. Load Circuit Conditions

Parameter	$V_{CCO}$	$R_L$	$C_L$	$S_1$	$V_{TP}$
$\frac{\Delta t}{\Delta V}$ Input transition rise or fall rate	0.65 V - 3.6V	1M $\Omega$	15pF	Open	N/A
$t_{pd}$ Propagation (delay) time	1.1V - 3.6V	2k $\Omega$	15pF	Open	N/A
	0.65 V - 0.95 V	20k $\Omega$	15pF	Open	N/A
$t_{en}, t_{dis}$ Enable time, disable time	3V - 3.6V	2k $\Omega$	15pF	2 x $V_{CCO}$	0.3V
	1.65 V - 2.7V	2k $\Omega$	15pF	2 x $V_{CCO}$	0.15 V
	1.1V - 1.6V	2k $\Omega$	15pF	2 x $V_{CCO}$	0.1V
	0.65 V - 0.95 V	20k $\Omega$	15pF	2 x $V_{CCO}$	0.1V
$t_{en}, t_{dis}$ Enable time, disable time	3V - 3.6V	2k $\Omega$	15pF	GND	0.3V
	1.65 V - 2.7V	2k $\Omega$	15pF	GND	0.15 V
	1.1V - 1.6V	2k $\Omega$	15pF	GND	0.1V
	0.65 V - 0.95 V	20k $\Omega$	15pF	GND	0.1V

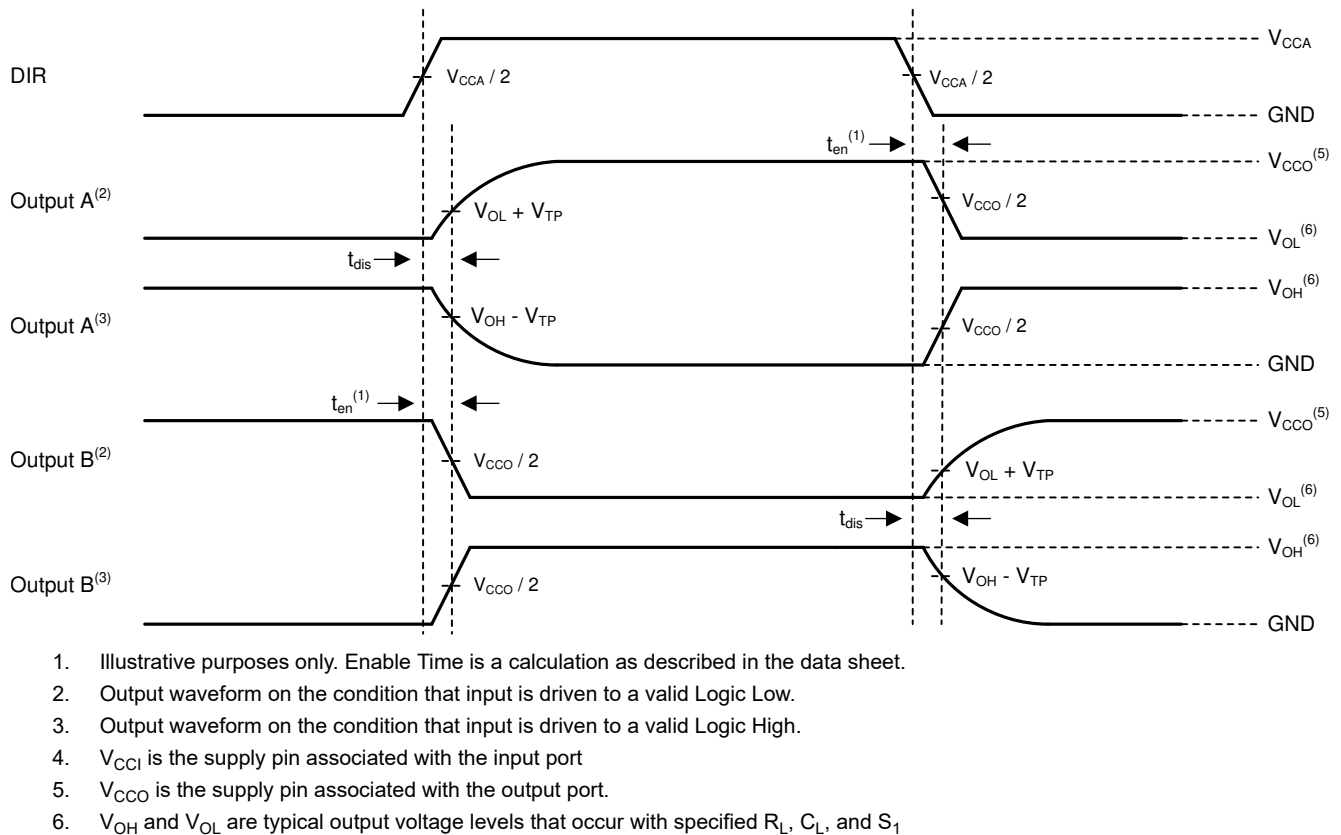
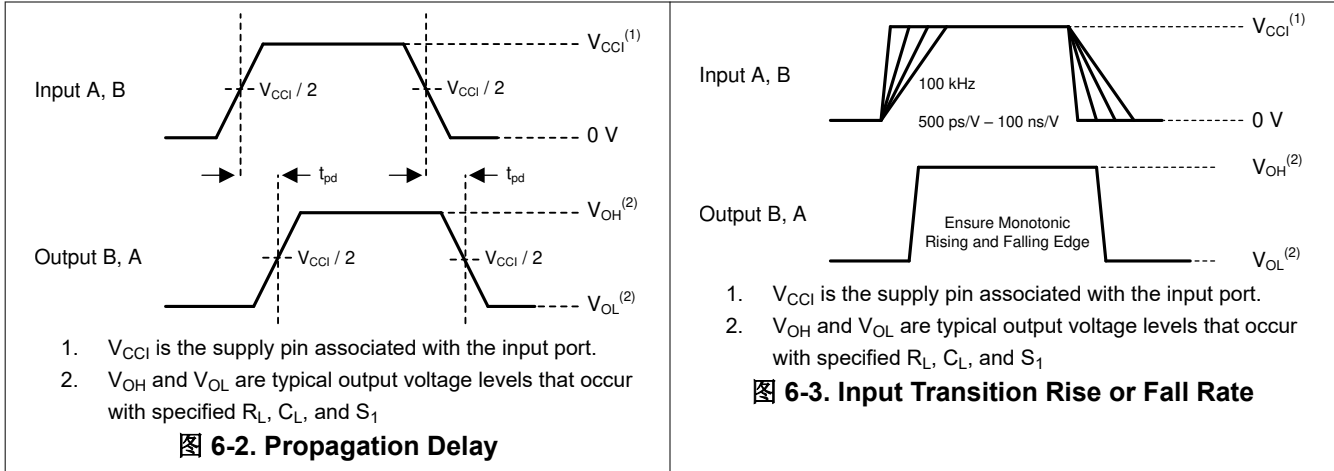


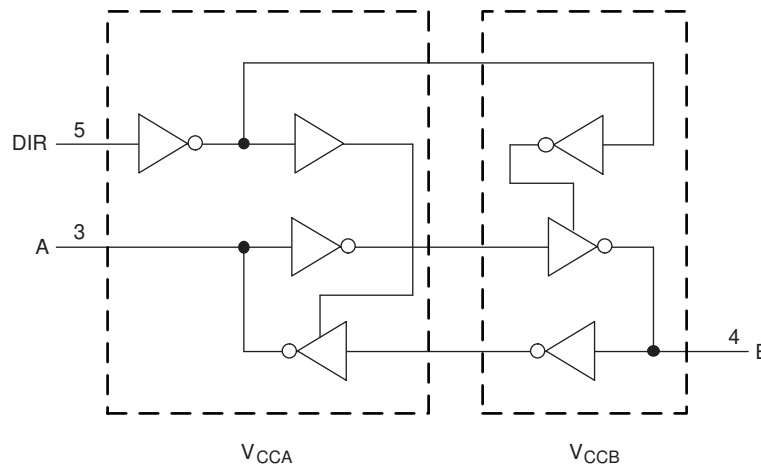
图 6-4. Disable and Enable Time

## 7 Detailed Description

### 7.1 Overview

The SN74AXC1T45 is single-bit, dual-supply, noninverting voltage level translation. Pin A and the direction control pin are support by  $V_{CCA}$  and pin B is support by  $V_{CCB}$ . The A port can accept I/O voltages ranging from 0.65 V to 3.6V, and the B port can accept I/O voltages from 0.65 V to 3.6V. A high logic on the DIR pin allows data transmission from A to B and a logic low on the DIR pin allows data transmission from B to A.

### 7.2 Functional Block Diagram



### 7.3 Feature Description

#### 7.3.1 Fully Configurable Dual-Rail Design Allows Each Port to Operate Over the Full 0.65-V to 3.6-V Power-Supply Range

Both the  $V_{CCA}$  and  $V_{CCB}$  pins can be supplied at any voltage from 0.65 V to 3.6V, making the device suitable for translating between any of the voltage nodes (0.7V, 0.8V, 0.9V, 1.2V, 1.8V, 2.5V and 3.3V).

#### 7.3.2 I/Os with Integrated Static Pull-Down Resistors

To help avoid floating inputs on the I/Os, this device has 288-k $\Omega$  typical integrated weak pull-downs on all data I/Os. This feature allows all inputs to be left floating without the concern for unstable outputs or increased current consumption. This also helps to reduce external component count for applications where not all channels are used or need to be fixed low. If an external pull-up is required, it should be no larger than 30-k $\Omega$  to avoid contention with the 288-k $\Omega$  internal pull-down.

#### 7.3.3 Support High-Speed Translation

The SN74AXC1T45 device can support high data-rate applications. The translated signal data rate can be up to 500Mbps when signal is translated from 1.8V to 3.3V.

#### 7.3.4 $I_{off}$ Supports Partial-Power-Down Mode Operation

The  $I_{off}$  circuit prevents backflow current by disabling the I/O output circuits when the device is in partial-power-down mode.

## 7.4 Device Functional Modes

表 7-1 lists the device functions for the DIR input.

**表 7-1. Function Table**

INPUT <sup>(1)</sup> DIR	OPERATION
L	B data to A bus
H	A data to B bus

(1) Input circuits of the data I/Os always are active.

## 8 Application and Implementation

### 备注

Information in the following applications sections is not part of the TI component specification, and TI does not warrant its accuracy or completeness. TI's customers are responsible for determining suitability of components for their purposes. Customers should validate and test their design implementation to confirm system functionality.

### 8.1 Application Information

The SN74AXC1T45 device can be used in level-translation applications for interfacing devices or systems with one another when they are operating at different interface voltages. The maximum data rate can be up to 500Mbps when the device translate signal is from 1.8V to 3.3V.

#### 8.1.1 Enable Times

Calculate the enable times for the SN74AXC1T45 using the following formulas:

$$t_{A\_en} (\text{DIR to A}) = t_{dis} (\text{DIR to B}) + t_{pd} (\text{B to A}) \quad (1)$$

$$t_{B\_en} (\text{DIR to B}) = t_{dis} (\text{DIR to A}) + t_{pd} (\text{A to B}) \quad (2)$$

In a bidirectional application, these enable times provide the maximum delay time from the time the DIR bit is switched until an output is expected. For example, if the SN74AXC1T45 initially is transmitting from A to B, then the DIR bit is switched; the B port of the device must be disabled ( $t_{dis}$ ) before presenting it with an input. After the B port has been disabled, an input signal applied to it appears on the corresponding A port after the specified propagation delay ( $t_{pd}$ ). To avoid bus contention care should be taken to not apply an input signal prior to the output port being disabled ( $t_{dis\ max}$ ).

### 8.2 Typical Applications

#### 8.2.1 Unidirectional Logic Level-Shifting Application

图 8-1 shows an example of the SN74AXC1T45 being used in a unidirectional logic level-shifting application.

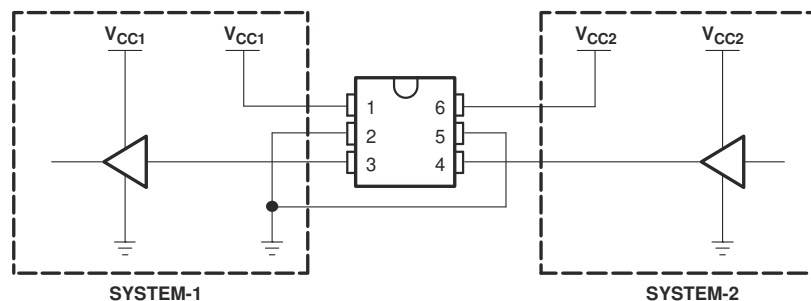


图 8-1. Unidirectional Logic Level-Shifting Application

表 8-1. Unidirectional Level Shifting Function

PIN	NAME	FUNCTION	DESCRIPTION
1	V <sub>CCA</sub>	V <sub>CC1</sub>	SYSTEM-1 supply voltage (0.65 V to 3.6V)
2	GND	GND	Device GND
3	A	OUT	Output level depends on V <sub>CC1</sub> voltage.
4	B	IN	Input threshold value depends on V <sub>CC2</sub> voltage.
5	DIR	DIR	GND (low level) determines B-port to A-port direction.
6	V <sub>CCB</sub>	V <sub>CC2</sub>	SYSTEM-2 supply voltage (0.65 V to 3.6V)

### 8.2.1.1 Design Requirements

For this design example, use the parameters listed in 表 8-2.

表 8-2. Design Parameters

DESIGN PARAMETERS	EXAMPLE VALUES
Input voltage range	0.65 V to 3.6V
Output voltage range	0.65 V to 3.6V

### 8.2.1.2 Detailed Design Procedure

To begin the design process, determine the following:

- Input voltage range
  - Use the supply voltage of the device that is driving the SN74AXC1T45 device to determine the input voltage range. For a valid logic-high, the value must exceed the high-level input voltage ( $V_{IH}$ ) of the input port. For a valid logic low the value must be less than the low-level input voltage ( $V_{IL}$ ) of the input port.
- Output voltage range
  - Use the supply voltage of the device that the SN74AXC1T45 device is driving to determine the output voltage range.

### 8.2.1.3 Application Curve

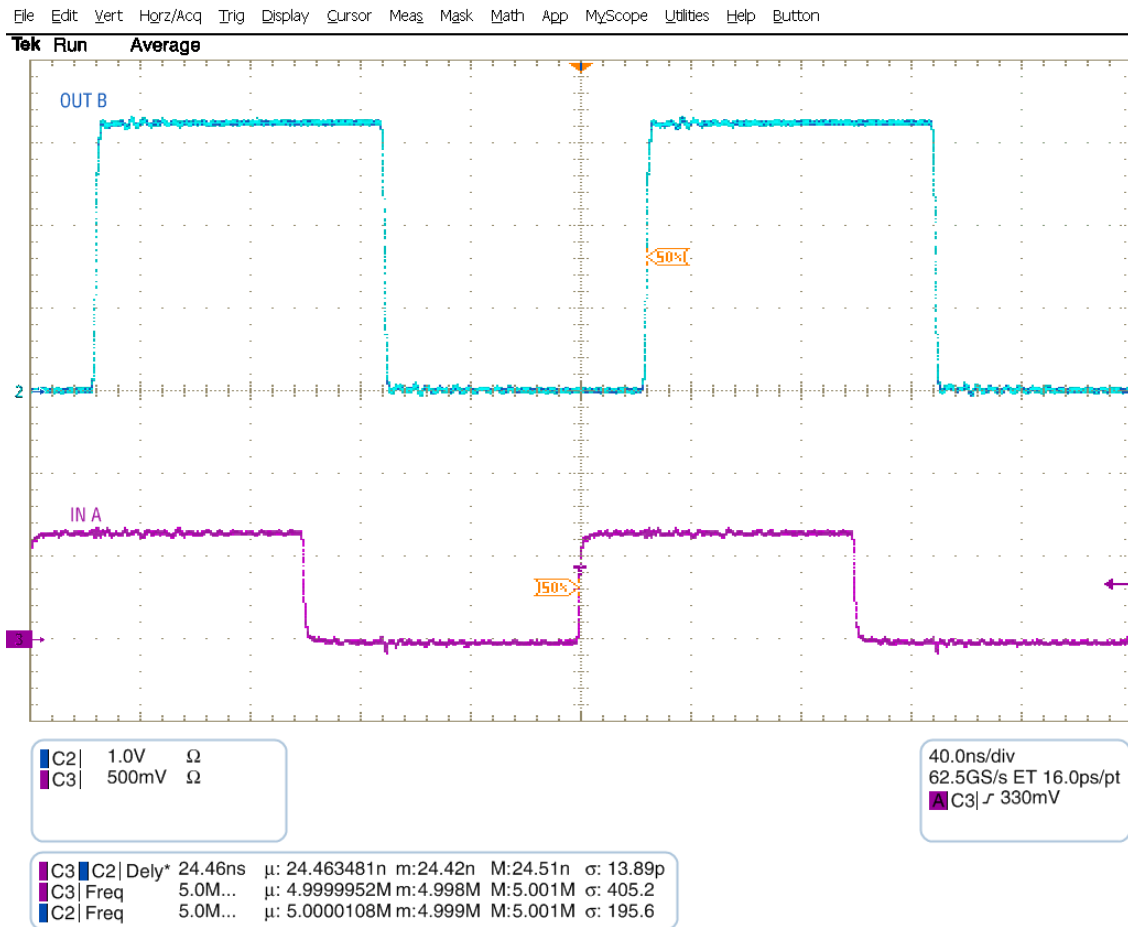


图 8-2. Up Translation at 2.5 MHz (0.7V to 3.3V)

### 8.2.2 Bidirectional Logic Level-Shifting Application

图 8-3 shows the SN74AXC1T45 being used in a bidirectional logic level-shifting application. Because the SN74AXC1T45 does not have an output-enable (OE) pin, the system designer should take precautions to avoid bus contention between SYSTEM-1 and SYSTEM-2 when changing directions.

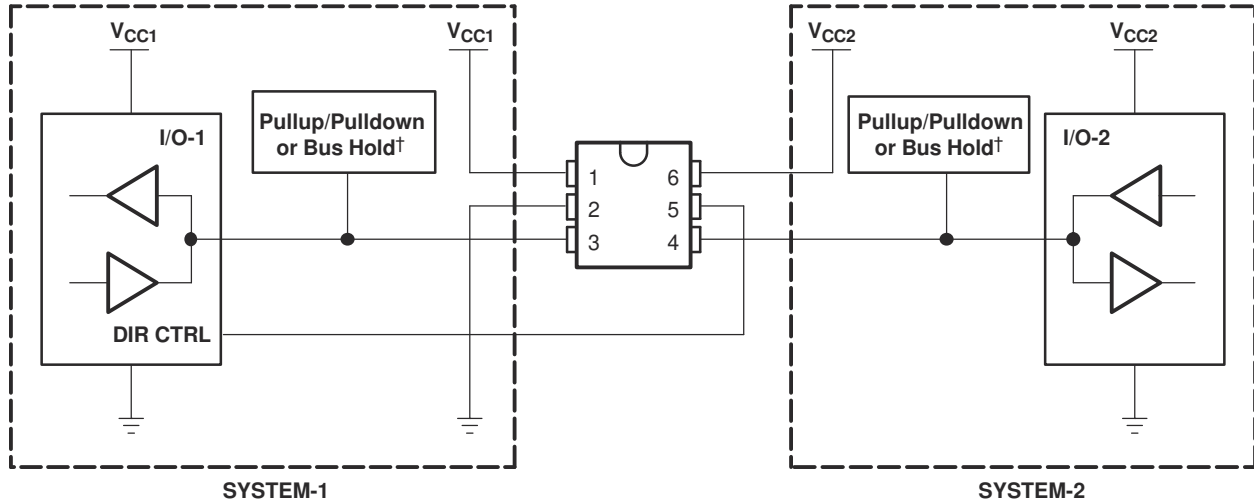


图 8-3. Bidirectional Logic Level-Shifting Application

表 8-3 lists the data transmission from SYSTEM-1 to SYSTEM-2 and then from SYSTEM-2 to SYSTEM-1.

表 8-3. Data Transmission: SYSTEM-1 and SYSTEM-2

STATE	DIR CTRL	I/O-1	I/O-2	DESCRIPTION
1	H	Out	In	SYSTEM-1 data to SYSTEM-2.
2	H	Hi-Z	Hi-Z	SYSTEM-2 is getting ready to send data to SYSTEM-1. I/O-1 and I/O-2 are disabled. The bus-line state depends on pullup or pulldown resistors. <sup>(1)</sup>
3	L	Hi-Z	Hi-Z	DIR bit is flipped. I/O-1 and I/O-2 still are disabled. The bus-line state depends on pullup or pulldown resistors. <sup>(1)</sup>
4	L	In	Out	SYSTEM-2 data to SYSTEM-1.

(1) SYSTEM-1 and SYSTEM-2 must use the same conditions, essentially, both pullup or both pulldown.

#### 8.2.2.1 Design Requirements

Refer to [Design Requirements](#).

#### 8.2.2.2 Detailed Design Procedure

Refer to [Detailed Design Procedure](#).



### 8.2.2.3 Application Curve

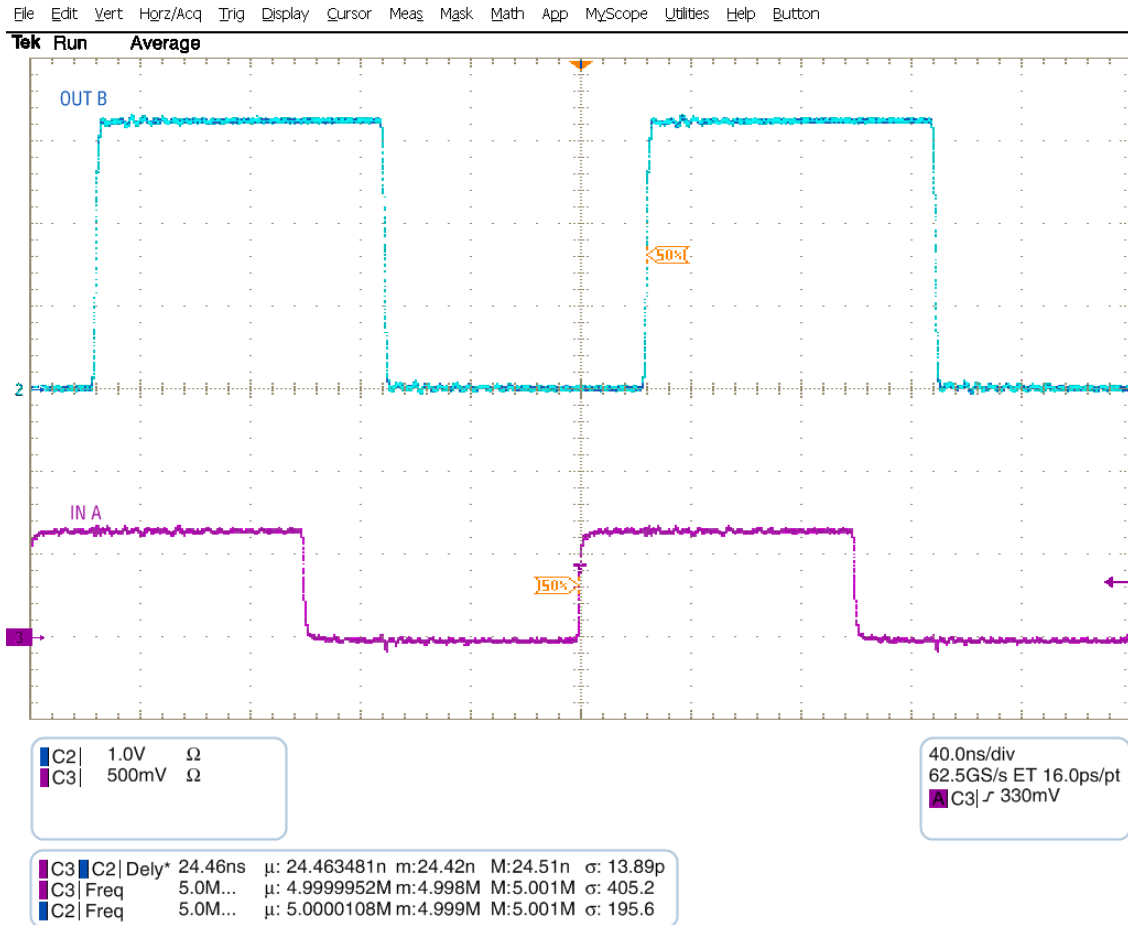


图 8-4. Up Translation at 2.5 MHz (0.7V to 3.3V)

## 8.3 Power Supply Recommendations

The SN74AXC1T45 device uses two separate configurable power-supply rails,  $V_{CCA}$  and  $V_{CCB}$ . The  $V_{CCA}$  power-supply rail accepts any supply voltage from 0.65 V to 3.6 V and the  $V_{CCB}$  power-supply rail accepts any supply voltage from 0.65 V to 3.6 V. The A port and B port are designed to track the  $V_{CCA}$  and  $V_{CCB}$  supplies respectively allowing for low-voltage, bidirectional translation between any of the 0.7V, 0.8V, 0.9V, 1.2V, 1.5V, 1.8V, 2.5V, and 3.3V voltage nodes.

### 8.3.1 Power-Up Considerations

A proper power-up sequence must be followed to avoid excessive supply current, bus contention, oscillations, or other anomalies. To guard against such power-up problems, take the following precautions:

1. Connect the ground before any supply voltage is applied.
2. Power up the  $V_{CCA}$  and  $V_{CCB}$  supplies. The  $V_{CCA}$  and  $V_{CCB}$  supplies can be ramped in any order.

## 8.4 Layout

### 8.4.1 Layout Guidelines

To ensure reliability of the device, following common printed-circuit board layout guidelines is recommended:

- Bypass capacitors should be used on power supplies.
- Short trace lengths should be used to avoid excessive loading.

- Placing pads on the signal paths for loading capacitors or pullup resistors to help adjust rise and fall times of signals depending on the system requirements.

### 8.4.2 Layout Example

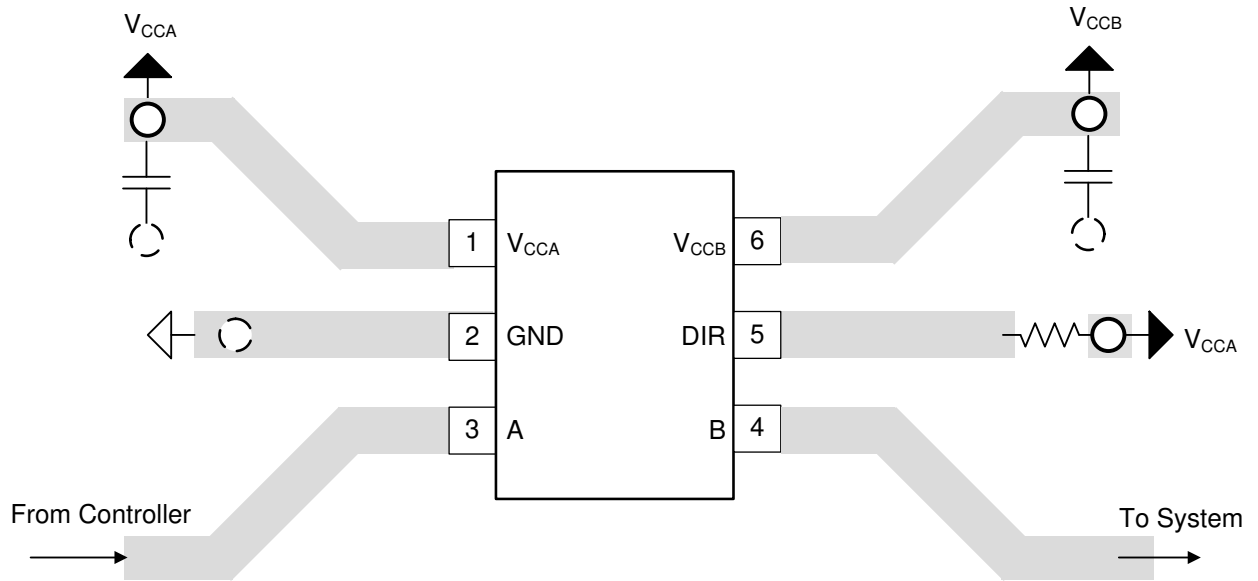
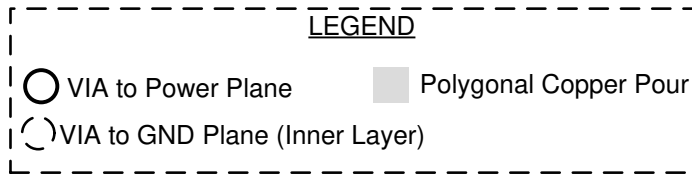


图 8-5. PCB Layout Example

## 9 Device and Documentation Support

### 9.1 Documentation Support

#### 9.1.1 Related Documentation

For related documentation see the following:

- Texas Instruments, [Evaluate SN74AXC1T45DRL Using a Generic EVM application report](#)
- Texas Instruments, [Implications of Slow or Floating CMOS Inputs application report](#)
- Texas Instruments, [Power Sequencing for the AXC Family of Devices application report](#)

### 9.2 接收文档更新通知

要接收文档更新通知，请导航至 [ti.com](http://ti.com) 上的器件产品文件夹。点击 [通知](#) 进行注册，即可每周接收产品信息更改摘要。有关更改的详细信息，请查看任何已修订文档中包含的修订历史记录。

### 9.3 支持资源

[TI E2E™ 中文支持论坛](#) 是工程师的重要参考资料，可直接从专家处获得快速、经过验证的解答和设计帮助。搜索现有解答或提出自己的问题，获得所需的快速设计帮助。

链接的内容由各个贡献者“按原样”提供。这些内容并不构成 TI 技术规范，并且不一定反映 TI 的观点；请参阅 TI 的 [使用条款](#)。

### 9.4 Trademarks

TI E2E™ is a trademark of Texas Instruments.

所有商标均为其各自所有者的财产。

### 9.5 静电放电警告



静电放电 (ESD) 会损坏这个集成电路。德州仪器 (TI) 建议通过适当的预防措施处理所有集成电路。如果不遵守正确的处理和安装程序，可能会损坏集成电路。

ESD 的损坏小至导致微小的性能降级，大至整个器件故障。精密的集成电路可能更容易受到损坏，这是因为非常细微的参数更改都可能会导致器件与其发布的规格不相符。

### 9.6 术语表

[TI 术语表](#) 本术语表列出并解释了术语、首字母缩略词和定义。

## 10 Revision History

注：以前版本的页码可能与当前版本的页码不同

<b>Changes from Revision D (October 2021) to Revision E (December 2023)</b>	<b>Page</b>
• Added the <i>I/Os with Integrated Static Pull-Down Resistors</i> section.....	20

<b>Changes from Revision C (September 2020) to Revision D (October 2021)</b>	<b>Page</b>
• Updated the <i>Pin Configuration and Functions</i> section to include <i>DRL</i> and <i>DEA</i> packages.....	3

<b>Changes from Revision B (June 2018) to Revision C (September 2020)</b>	<b>Page</b>
• 更新了整个文档中的表格、图和交叉参考的编号格式.....	1
• 将所有表更新为最新的 3d 表格式.....	1

- Updated  $I_{CCA}$ ,  $I_{CCB}$ , and  $I_{CCA} + I_{CCB}$  to reflect updated performance of device.....6
- 

**Changes from Revision A (April 2018) to Revision B (June 2018) Page**

- 添加了 DEA 和 DTQ 作为可用封装选项..... 1
  - 将产品状态从“量产混合”更改为“量产数据” ..... 1
- 

**Changes from Revision \* (December 2017) to Revision A (April 2018) Page**

- Added pinout drawing for DEA package .....3
  - Added pinout drawing for DTQ package ..... 3
- 

**11 Mechanical, Packaging, and Orderable Information**

The following pages include mechanical, packaging, and orderable information. This information is the most current data available for the designated devices. This data is subject to change without notice and revision of this document. For browser-based versions of this data sheet, refer to the left-hand navigation.

**PACKAGING INFORMATION**

Orderable part number	Status (1)	Material type (2)	Package   Pins	Package qty   Carrier	RoHS (3)	Lead finish/ Ball material (4)	MSL rating/ Peak reflow (5)	Op temp (°C)	Part marking (6)
<a href="#">SN74AXC1T45DBVR</a>	Active	Production	SOT-23 (DBV)   6	3000   LARGE T&R	Yes	NIPDAU   SN	Level-1-260C-UNLIM	-40 to 125	1GRL
SN74AXC1T45DBVR.B	Active	Production	SOT-23 (DBV)   6	3000   LARGE T&R	Yes	NIPDAU	Level-1-260C-UNLIM	-40 to 125	1GRL
SN74AXC1T45DBVRG4	Active	Production	SOT-23 (DBV)   6	3000   LARGE T&R	Yes	NIPDAU	Level-1-260C-UNLIM	-40 to 125	1GRL
SN74AXC1T45DBVRG4.B	Active	Production	SOT-23 (DBV)   6	3000   LARGE T&R	Yes	NIPDAU	Level-1-260C-UNLIM	-40 to 125	1GRL
<a href="#">SN74AXC1T45DCKR</a>	Active	Production	SC70 (DCK)   6	3000   LARGE T&R	Yes	SN	Level-1-260C-UNLIM	-40 to 125	1A3
SN74AXC1T45DCKR.B	Active	Production	SC70 (DCK)   6	3000   LARGE T&R	Yes	SN	Level-1-260C-UNLIM	-40 to 125	1A3
<a href="#">SN74AXC1T45DEAR</a>	Active	Production	X2SON (DEA)   6	5000   LARGE T&R	Yes	NIPDAU	Level-1-260C-UNLIM	-40 to 125	CR
SN74AXC1T45DEAR.A	Active	Production	X2SON (DEA)   6	5000   LARGE T&R	Yes	NIPDAU	Level-1-260C-UNLIM	-40 to 125	CR
SN74AXC1T45DEAR.B	Active	Production	X2SON (DEA)   6	5000   LARGE T&R	Yes	NIPDAU	Level-1-260C-UNLIM	-40 to 125	CR
SN74AXC1T45DEARG4.A	Active	Production	X2SON (DEA)   6	5000   LARGE T&R	Yes	NIPDAU	Level-1-260C-UNLIM	-40 to 125	CR
SN74AXC1T45DEARG4.B	Active	Production	X2SON (DEA)   6	5000   LARGE T&R	Yes	NIPDAU	Level-1-260C-UNLIM	-40 to 125	CR
<a href="#">SN74AXC1T45DRLR</a>	Active	Production	SOT-5X3 (DRL)   6	4000   LARGE T&R	Yes	NIPDAU   NIPDAUAG	Level-1-260C-UNLIM	-40 to 125	1A1
SN74AXC1T45DRLR.B	Active	Production	SOT-5X3 (DRL)   6	4000   LARGE T&R	Yes	NIPDAU	Level-1-260C-UNLIM	-40 to 125	1A1
SN74AXC1T45DRLRG4	Active	Production	SOT-5X3 (DRL)   6	4000   LARGE T&R	Yes	NIPDAU	Level-1-260C-UNLIM	-40 to 125	1A1
SN74AXC1T45DRLRG4.B	Active	Production	SOT-5X3 (DRL)   6	4000   LARGE T&R	Yes	NIPDAU	Level-1-260C-UNLIM	-40 to 125	1A1
SN74AXC1T45DTQR.A	Active	Production	X2SON (DTQ)   6	3000   LARGE T&R	Yes	NIPDAU	Level-1-260C-UNLIM	-40 to 125	CW
SN74AXC1T45DTQR.B	Active	Production	X2SON (DTQ)   6	3000   LARGE T&R	Yes	NIPDAU	Level-1-260C-UNLIM	-40 to 125	CW

(1) **Status:** For more details on status, see our [product life cycle](#).

(2) **Material type:** When designated, preproduction parts are prototypes/experimental devices, and are not yet approved or released for full production. Testing and final process, including without limitation quality assurance, reliability performance testing, and/or process qualification, may not yet be complete, and this item is subject to further changes or possible discontinuation. If available for ordering, purchases will be subject to an additional waiver at checkout, and are intended for early internal evaluation purposes only. These items are sold without warranties of any kind.

(3) **RoHS values:** Yes, No, RoHS Exempt. See the [TI RoHS Statement](#) for additional information and value definition.

(4) **Lead finish/Ball material:** Parts may have multiple material finish options. Finish options are separated by a vertical ruled line. Lead finish/Ball material values may wrap to two lines if the finish value exceeds the maximum column width.

(5) **MSL rating/Peak reflow:** The moisture sensitivity level ratings and peak solder (reflow) temperatures. In the event that a part has multiple moisture sensitivity ratings, only the lowest level per JEDEC standards is shown. Refer to the shipping label for the actual reflow temperature that will be used to mount the part to the printed circuit board.

**(6) Part marking:** There may be an additional marking, which relates to the logo, the lot trace code information, or the environmental category of the part.

Multiple part markings will be inside parentheses. Only one part marking contained in parentheses and separated by a "~" will appear on a part. If a line is indented then it is a continuation of the previous line and the two combined represent the entire part marking for that device.

**Important Information and Disclaimer:** The information provided on this page represents TI's knowledge and belief as of the date that it is provided. TI bases its knowledge and belief on information provided by third parties, and makes no representation or warranty as to the accuracy of such information. Efforts are underway to better integrate information from third parties. TI has taken and continues to take reasonable steps to provide representative and accurate information but may not have conducted destructive testing or chemical analysis on incoming materials and chemicals. TI and TI suppliers consider certain information to be proprietary, and thus CAS numbers and other limited information may not be available for release.

In no event shall TI's liability arising out of such information exceed the total purchase price of the TI part(s) at issue in this document sold by TI to Customer on an annual basis.

**OTHER QUALIFIED VERSIONS OF SN74AXC1T45 :**

- Automotive : [SN74AXC1T45-Q1](#)

NOTE: Qualified Version Definitions:

- Automotive - Q100 devices qualified for high-reliability automotive applications targeting zero defects

**TAPE AND REEL INFORMATION**

**QUADRANT ASSIGNMENTS FOR PIN 1 ORIENTATION IN TAPE**


\*All dimensions are nominal

Device	Package Type	Package Drawing	Pins	SPQ	Reel Diameter (mm)	Reel Width W1 (mm)	A0 (mm)	B0 (mm)	K0 (mm)	P1 (mm)	W (mm)	Pin1 Quadrant
SN74AXC1T45DBVR	SOT-23	DBV	6	3000	180.0	8.4	3.2	3.2	1.4	4.0	8.0	Q3
SN74AXC1T45DBVRG4	SOT-23	DBV	6	3000	180.0	8.4	3.2	3.2	1.4	4.0	8.0	Q3
SN74AXC1T45DCKR	SC70	DCK	6	3000	178.0	8.4	2.25	2.45	1.2	4.0	8.0	Q3
SN74AXC1T45DEAR	X2SON	DEA	6	5000	180.0	9.5	1.13	1.13	0.5	4.0	8.0	Q3
SN74AXC1T45DRLR	SOT-5X3	DRL	6	4000	180.0	8.4	2.0	1.8	0.75	4.0	8.0	Q3
SN74AXC1T45DRLRG4	SOT-5X3	DRL	6	4000	180.0	8.4	2.0	1.8	0.75	4.0	8.0	Q3

**TAPE AND REEL BOX DIMENSIONS**


\*All dimensions are nominal

Device	Package Type	Package Drawing	Pins	SPQ	Length (mm)	Width (mm)	Height (mm)
SN74AXC1T45DBVR	SOT-23	DBV	6	3000	210.0	185.0	35.0
SN74AXC1T45DBVRG4	SOT-23	DBV	6	3000	210.0	185.0	35.0
SN74AXC1T45DCKR	SC70	DCK	6	3000	208.0	191.0	35.0
SN74AXC1T45DEAR	X2SON	DEA	6	5000	189.0	185.0	36.0
SN74AXC1T45DRLR	SOT-5X3	DRL	6	4000	210.0	185.0	35.0
SN74AXC1T45DRLRG4	SOT-5X3	DRL	6	4000	210.0	185.0	35.0



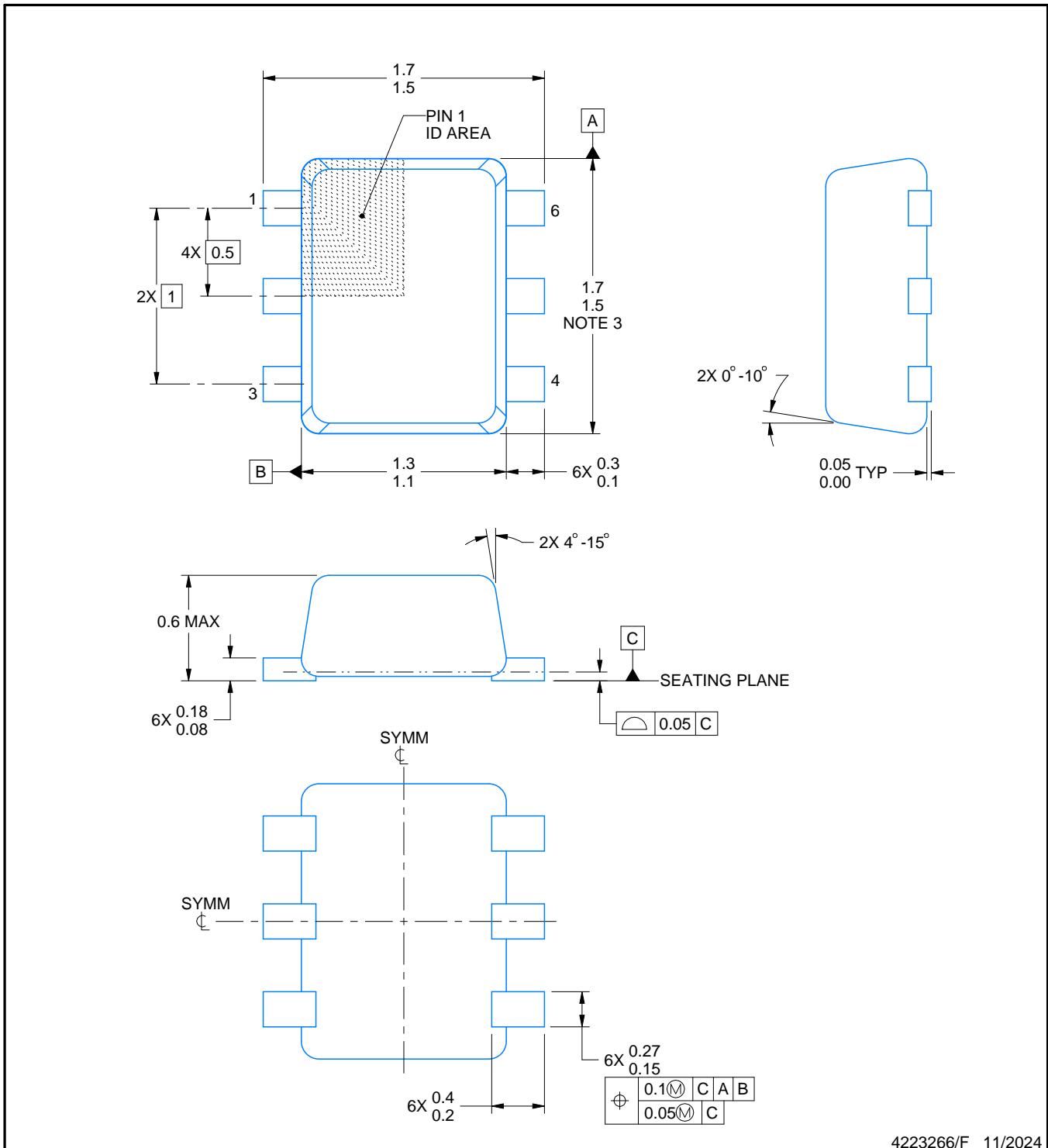
# DRL0006A



# PACKAGE OUTLINE

## SOT - 0.6 mm max height

PLASTIC SMALL OUTLINE



4223266/F 11/2024

### NOTES:

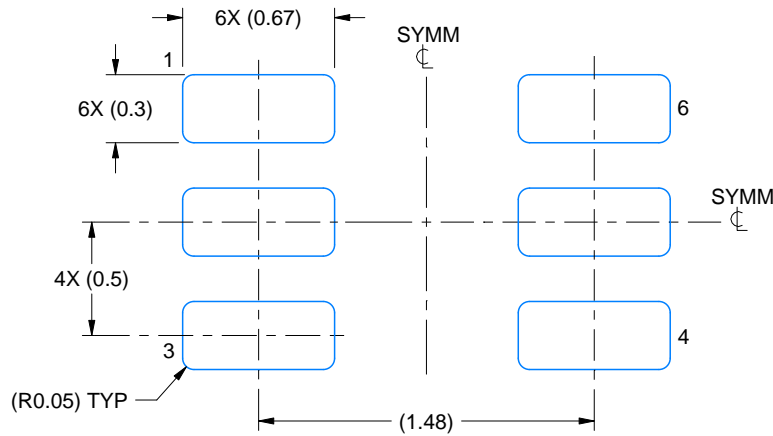
1. All linear dimensions are in millimeters. Any dimensions in parenthesis are for reference only. Dimensioning and tolerancing per ASME Y14.5M.
2. This drawing is subject to change without notice.
3. This dimension does not include mold flash, protrusions, or gate burrs. Mold flash, protrusions, or gate burrs shall not exceed 0.15 mm per side.
4. Reference JEDEC registration MO-293 Variation UAAD

# EXAMPLE BOARD LAYOUT

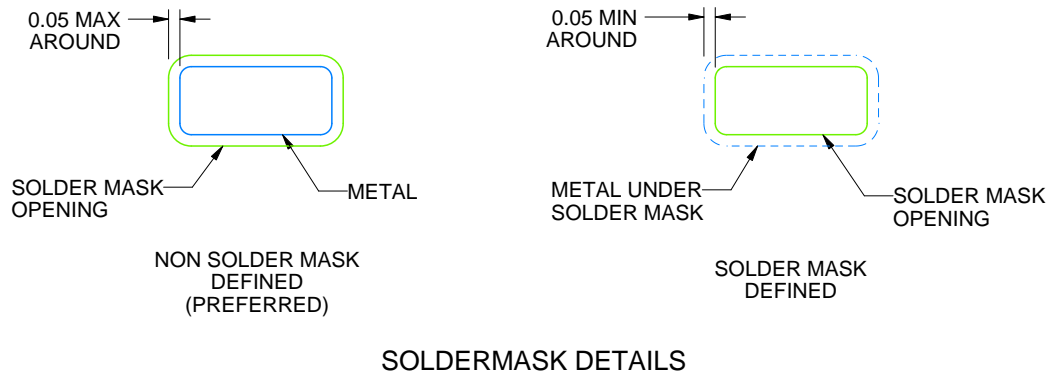
DRL0006A

SOT - 0.6 mm max height

PLASTIC SMALL OUTLINE



LAND PATTERN EXAMPLE  
SCALE:30X



SOLDERMASK DETAILS

4223266/F 11/2024

NOTES: (continued)

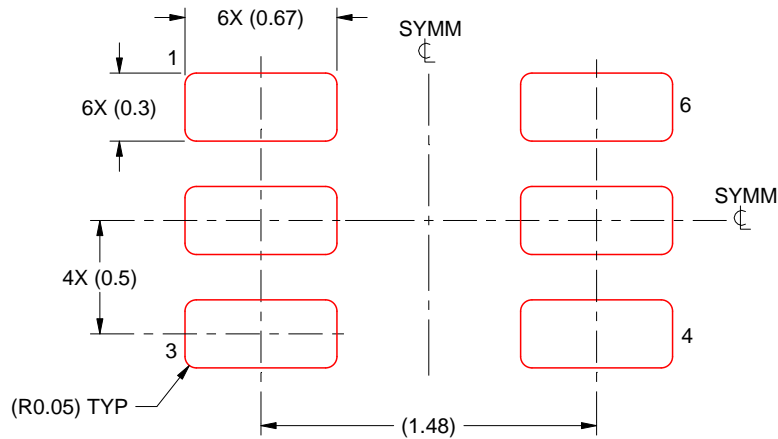
5. Publication IPC-7351 may have alternate designs.
6. Solder mask tolerances between and around signal pads can vary based on board fabrication site.
7. Land pattern design aligns to IPC-610, Bottom Termination Component (BTC) solder joint inspection criteria.

# EXAMPLE STENCIL DESIGN

DRL0006A

SOT - 0.6 mm max height

PLASTIC SMALL OUTLINE



SOLDER PASTE EXAMPLE  
BASED ON 0.1 mm THICK STENCIL  
SCALE:30X

4223266/F 11/2024

NOTES: (continued)

8. Laser cutting apertures with trapezoidal walls and rounded corners may offer better paste release. IPC-7525 may have alternate design recommendations.
9. Board assembly site may have different recommendations for stencil design.



# EXAMPLE BOARD LAYOUT

DBV0006A

SOT-23 - 1.45 mm max height

SMALL OUTLINE TRANSISTOR



LAND PATTERN EXAMPLE  
EXPOSED METAL SHOWN  
SCALE:15X



SOLDER MASK DETAILS

4214840/G 08/2024

NOTES: (continued)

- 6. Publication IPC-7351 may have alternate designs.
- 7. Solder mask tolerances between and around signal pads can vary based on board fabrication site.

# EXAMPLE STENCIL DESIGN

DBV0006A

SOT-23 - 1.45 mm max height

SMALL OUTLINE TRANSISTOR



SOLDER PASTE EXAMPLE  
BASED ON 0.125 mm THICK STENCIL  
SCALE:15X

4214840/G 08/2024

NOTES: (continued)

8. Laser cutting apertures with trapezoidal walls and rounded corners may offer better paste release. IPC-7525 may have alternate design recommendations.
9. Board assembly site may have different recommendations for stencil design.

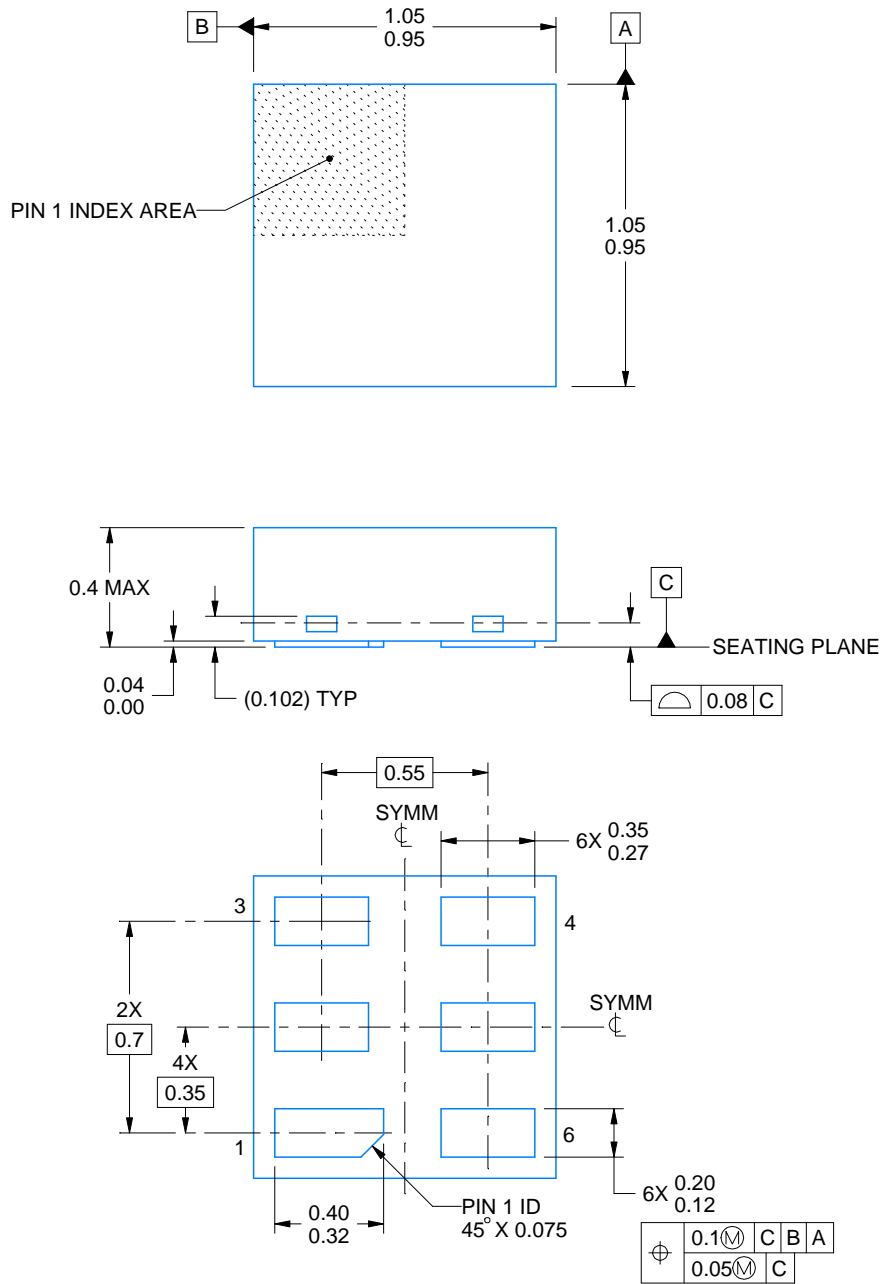
DEA0006A



PACKAGE OUTLINE

X2SON - 0.4 mm max height

PLASTIC SMALL OUTLINE - NO LEAD



4223910/C 12/2017

NOTES:

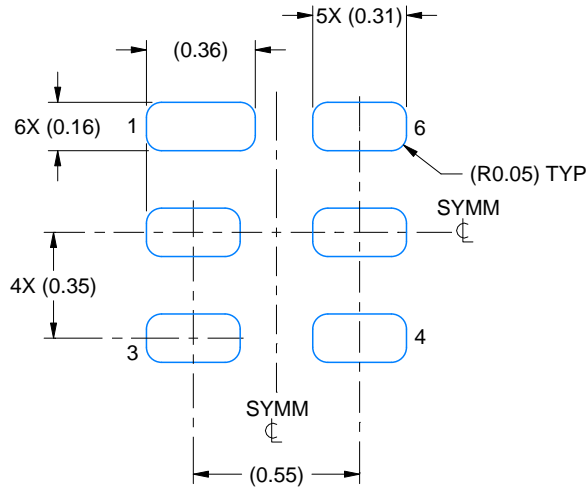
1. All linear dimensions are in millimeters. Any dimensions in parenthesis are for reference only. Dimensioning and tolerancing per ASME Y14.5M.
2. This drawing is subject to change without notice.

# EXAMPLE BOARD LAYOUT

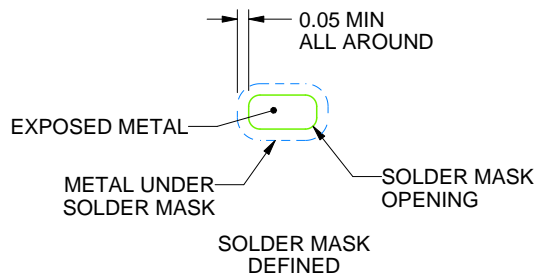
DEA0006A

X2SON - 0.4 mm max height

PLASTIC SMALL OUTLINE - NO LEAD



LAND PATTERN EXAMPLE  
EXPOSED METAL SHOWN  
SCALE:40X



SOLDER MASK DETAILS

4223910/C 12/2017

NOTES: (continued)

3. For more information, see Texas Instruments literature number SLUA271 ([www.ti.com/lit/slua271](http://www.ti.com/lit/slua271)).

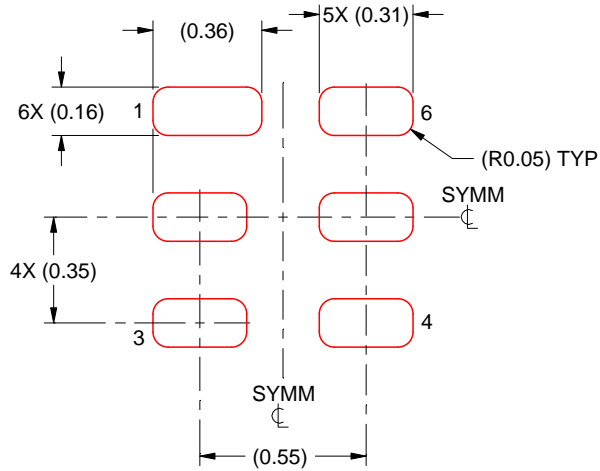


# EXAMPLE STENCIL DESIGN

DEA0006A

X2SON - 0.4 mm max height

PLASTIC SMALL OUTLINE - NO LEAD

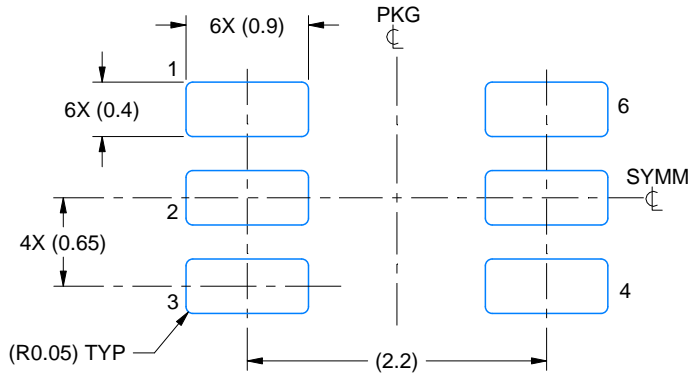


SOLDER PASTE EXAMPLE  
BASED ON 0.075 mm THICK STENCIL  
SCALE:40X

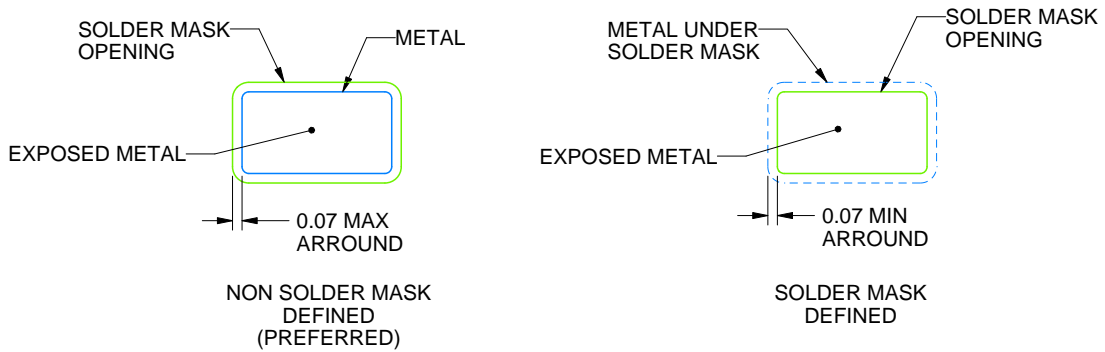
4223910/C 12/2017

4. Laser cutting apertures with trapezoidal walls and rounded corners may offer better paste release. IPC-7525 may have alternate design recommendations.





LAND PATTERN EXAMPLE  
EXPOSED METAL SHOWN  
SCALE:18X

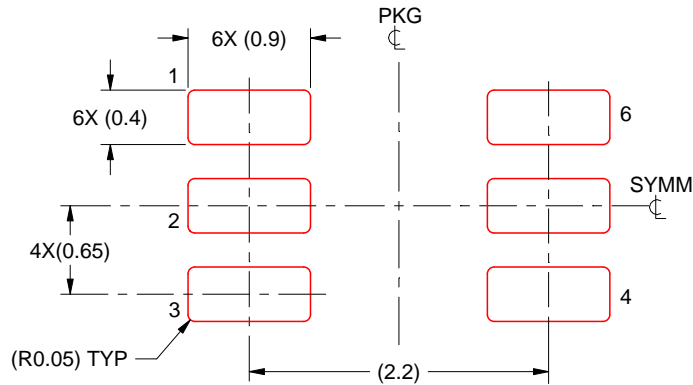


SOLDER MASK DETAILS

4214835/D 11/2024

NOTES: (continued)

- 5. Publication IPC-7351 may have alternate designs.
- 6. Solder mask tolerances between and around signal pads can vary based on board fabrication site.

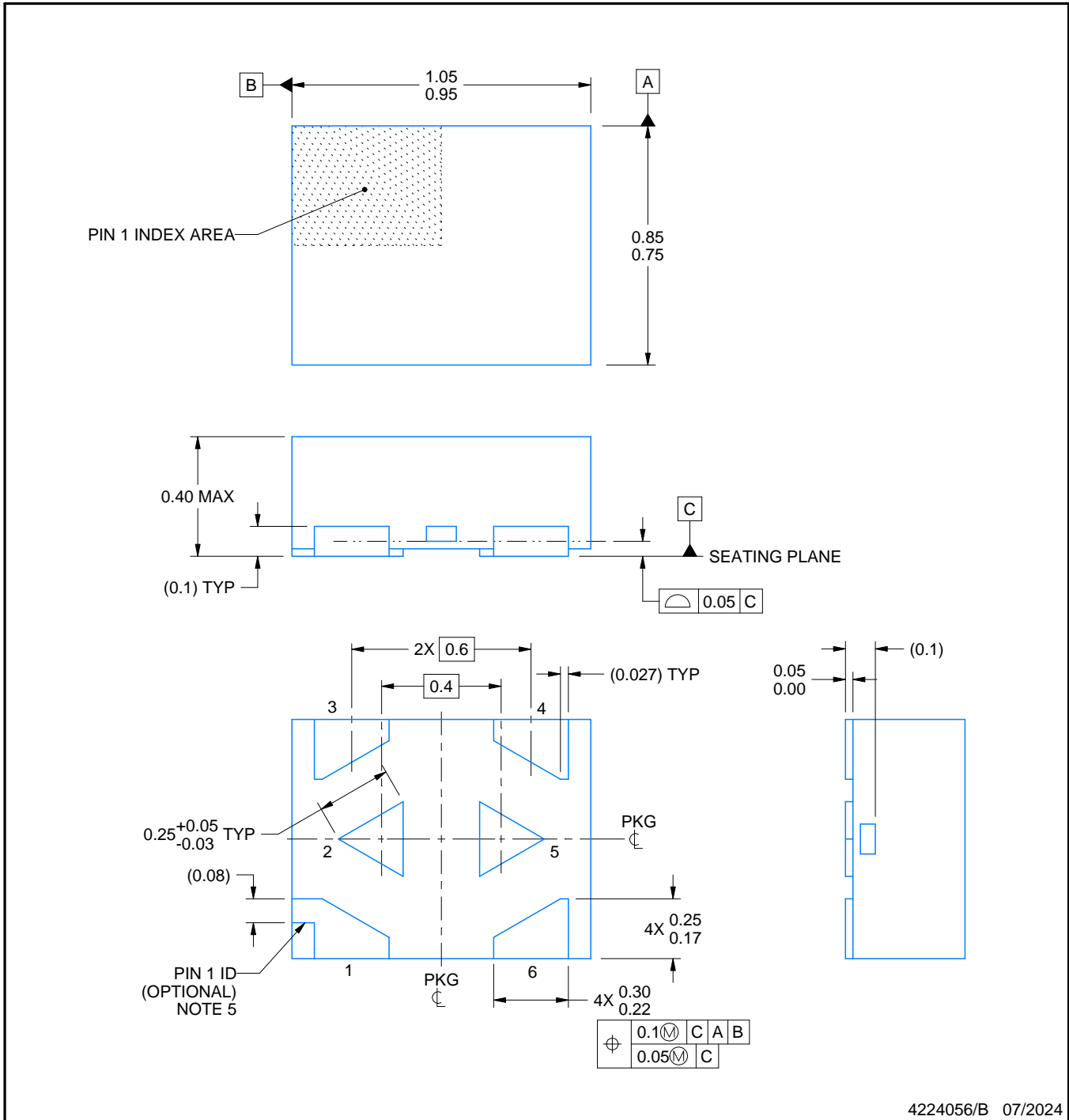


SOLDER PASTE EXAMPLE  
BASED ON 0.125 THICK STENCIL  
SCALE:18X

4214835/D 11/2024

NOTES: (continued)

7. Laser cutting apertures with trapezoidal walls and rounded corners may offer better paste release. IPC-7525 may have alternate design recommendations.
8. Board assembly site may have different recommendations for stencil design.



NOTES:

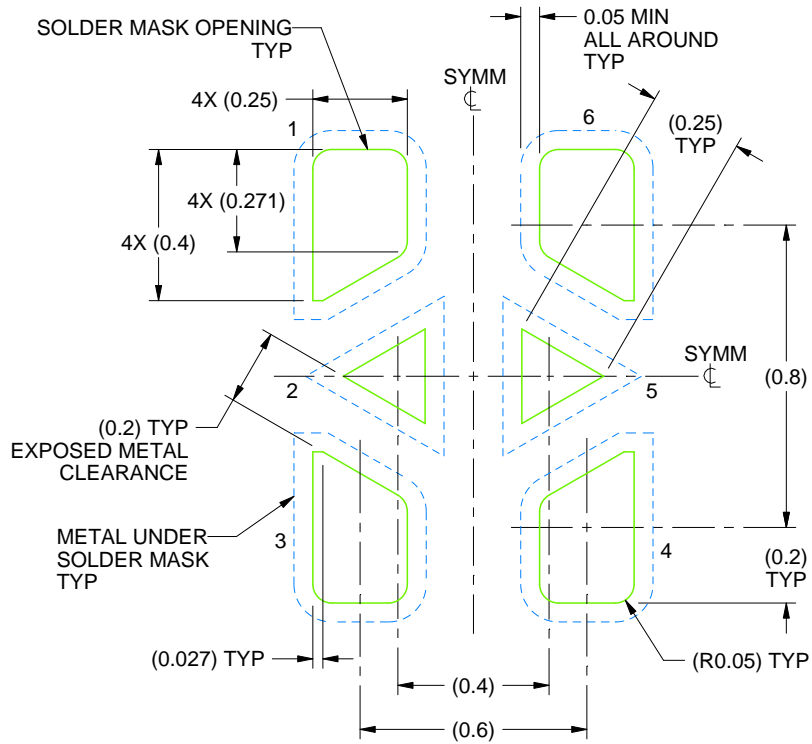
1. All linear dimensions are in millimeters. Any dimensions in parenthesis are for reference only. Dimensioning and tolerancing per ASME Y14.5M.
2. This drawing is subject to change without notice.
3. The package thermal pads must be soldered to the printed circuit board for optimal thermal and mechanical performance.
4. The size and shape of this feature may vary.
5. Features may not exist. Recommend use of pin 1 marking on top of package for orientation purposes.

# EXAMPLE BOARD LAYOUT

DTQ0006A

X2SON - 0.4 mm max height

PLASTIC SMALL OUTLINE - NO LEAD



LAND PATTERN EXAMPLE  
SOLDER MASK DEFINED  
SCALE:50X

4224056/B 07/2024

NOTES: (continued)

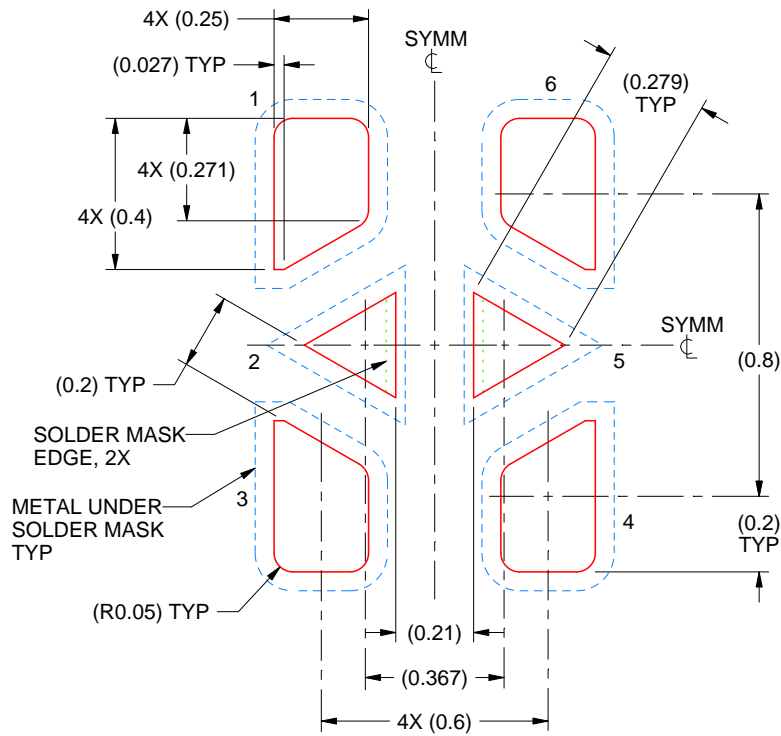
6. This package is designed to be soldered to a thermal pads on the board. For more information, see Texas Instruments literature number SLUA271 ([www.ti.com/lit/slua271](http://www.ti.com/lit/slua271)).
7. Vias are optional depending on application, refer to device data sheet. If some or all are implemented, recommended via locations are shown.

# EXAMPLE STENCIL DESIGN

DTQ0006A

X2SON - 0.4 mm max height

PLASTIC SMALL OUTLINE - NO LEAD



SOLDER PASTE EXAMPLE  
BASED ON 0.07 mm THICK STENCIL

PRINTED SOLDER COVERAGE BY AREA UNDER PACKAGE  
SCALE:50X

4224056/B 07/2024

NOTES: (continued)

8. Laser cutting apertures with trapezoidal walls and rounded corners may offer better paste release. IPC-7525 may have alternate design recommendations.

## 重要通知和免责声明

TI“按原样”提供技术和可靠性数据（包括数据表）、设计资源（包括参考设计）、应用或其他设计建议、网络工具、安全信息和其他资源，不保证没有瑕疵且不做任何明示或暗示的担保，包括但不限于对适销性、与某特定用途的适用性或不侵犯任何第三方知识产权的暗示担保。

这些资源可供使用 TI 产品进行设计的熟练开发人员使用。您将自行承担以下全部责任：(1) 针对您的应用选择合适的 TI 产品，(2) 设计、验证并测试您的应用，(3) 确保您的应用满足相应标准以及任何其他安全、安保法规或其他要求。

这些资源如有变更，恕不另行通知。TI 授权您仅可将这些资源用于研发本资源所述的 TI 产品的相关应用。严禁以其他方式对这些资源进行复制或展示。您无权使用任何其他 TI 知识产权或任何第三方知识产权。对于因您对这些资源的使用而对 TI 及其代表造成的任何索赔、损害、成本、损失和债务，您将全额赔偿，TI 对此概不负责。

TI 提供的产品受 [TI 销售条款](#)、[TI 通用质量指南](#) 或 [ti.com](#) 上其他适用条款或 TI 产品随附的其他适用条款的约束。TI 提供这些资源并不会扩展或以其他方式更改 TI 针对 TI 产品发布的适用的担保或担保免责声明。除非德州仪器 (TI) 明确将某产品指定为定制产品或客户特定产品，否则其产品均为按确定价格收入目录的标准通用器件。

TI 反对并拒绝您可能提出的任何其他或不同的条款。

版权所有 © 2026，德州仪器 (TI) 公司

最后更新日期：2025 年 10 月