

## 6-A NON-ISOLATED DDR/QDR MEMORY BUS TERMINATION MODULES



### FEATURES

- $V_{TT}$  Bus Termination Output (Output Tracks the System  $V_{REF}$ )
- 6 A Output Current (8 A Peak)
- 3.3-V, 5-V or 12-V Input Voltage
- DDR and QDR Compatible
- On/Off Inhibit (for  $V_{TT}$  Standby)
- Undervoltage Lockout
- Operating Temperature:  $-40^{\circ}\text{C}$  to  $85^{\circ}\text{C}$
- Efficiencies up to 88%
- Output Overcurrent Protection (Non-Latching, Auto-Reset)

- 50 W/in<sup>3</sup> Power Density
- Safety Agency Approvals: UL/cUL60950, EN60950, VDE
- Point-of-Load Alliance (POLA™) Compatible



NOMINAL SIZE = 0.87 in x 0.5 in  
(22.1 mm x 12.57 mm)

### DESCRIPTION

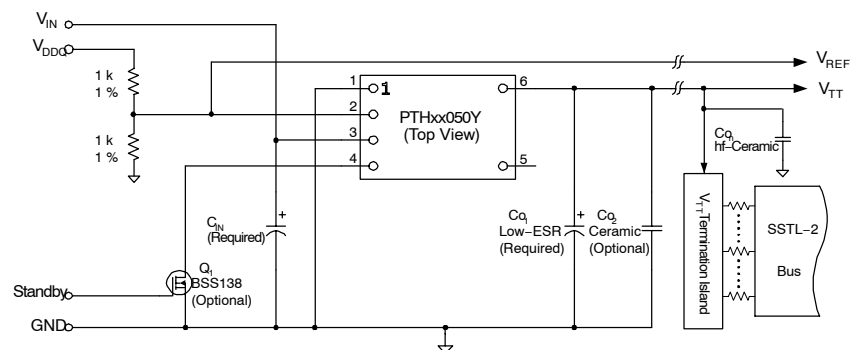
The PTHxx050Y are a series of ready-to-use switching regulator modules from Texas Instruments designed specifically for bus termination in DDR and QDR memory applications. Operating from either a 3.3-V, 5-V or 12-V input, the modules generate a  $V_{TT}$  output that will source or sink up to 6 A of current (8 A transient) to accurately track their  $V_{REF}$  input.  $V_{TT}$  is the required bus termination supply voltage, and  $V_{REF}$  is the reference voltage for the memory and chipset bus receiver comparators.  $V_{REF}$  is usually set to half the  $V_{DDQ}$  power supply voltage.

Both the PTHxx050Y series employs an actively switched synchronous rectifier output to provide state-of-the-art stepdown switching conversion. The products are small in size (0.87 in × 0.5 in), and are an ideal choice where space, performance, and high efficiency are desired, along with the convenience of a ready-to-use module.

Operating features include an on/off inhibit and output over-current protection (source mode only). The on/off inhibit feature allows the  $V_{TT}$  bus to be turned off to save power in a standby mode of operation.

Package options include both throughhole and surface mount configurations.

### STANDARD APPLICATION



$C_{IN}$  = Required Electrolytic Capacitor; 220  $\mu\text{F}$  (3.3  $\pm$  5 V Input), 560  $\mu\text{F}$  (12 V Input).  
 $C_{O1}$  = Required Low-ESR Electrolytic Capacitor; 470  $\mu\text{F}$  (3.3  $\pm$  5 V Input), 940  $\mu\text{F}$  (12 V Input).  
 $C_{O2}$  = Ceramic Capacitance for Response to a 3 A (+ 1.5 A) Load Transient; 200  $\mu\text{F}$  (3.3  $\pm$  5 V Input), 400  $\mu\text{F}$  (12 V Input).  
 $C_{O1}$  = Distributed hf-Ceramic Decoupling Capacitors for  $V_{TT}$  bus; as Recommended for DDR Memory Applications.



Please be aware that an important notice concerning availability, standard warranty, and use in critical applications of Texas Instruments semiconductor products and disclaimers thereto appears at the end of this data sheet.

POLA is a trademark of Texas Instruments.

**ORDERING INFORMATION**

| PTHXX050Y (Base Part Number) |                            |                |                    |                                   |
|------------------------------|----------------------------|----------------|--------------------|-----------------------------------|
| Input Voltage                | Part Number <sup>(1)</sup> | DESCRIPTION    | Pb – free and RoHS | Mechanical Package <sup>(2)</sup> |
| 3.3 V                        | PTH03050YAH                | Horizontal T/H | Yes <sup>(3)</sup> | EUU                               |
|                              | PTH03050YAS                | Standard SMD   | No <sup>(4)</sup>  | EUV                               |
|                              | PTH03050YAZ                | Optional SMD   | Yes <sup>(3)</sup> | EUV                               |
| 5 V                          | PTH05050YAH                | Horizontal T/H | Yes <sup>(3)</sup> | EUU                               |
|                              | PTH05050YAS                | Standard SMD   | No <sup>(4)</sup>  | EUV                               |
|                              | PTH05050YAZ                | Optional SMD   | Yes <sup>(3)</sup> | EUV                               |
| 12 V                         | PTH12050YAH                | Horizontal T/H | Yes <sup>(3)</sup> | EUU                               |
|                              | PTH12050YAS                | Standard SMD   | No <sup>(4)</sup>  | EUV                               |
|                              | PTH12050YAZ                | Optional SMD   | Yes <sup>(3)</sup> | EUV                               |

- (1) Add *T* to end of part number for tape and reel on SMD packages only.
- (2) Reference the applicable package reference drawing for the dimensions and PC board layout.
- (3) *Lead (Pb) –free* option specifies Sn/Ag pin solder material.
- (4) *Standard* option specifies 63/37, Sn/Pb pin solder material.

**ENVIRONMENTAL AND ABSOLUTE MAXIMUM RATINGS**

voltages are with respect to GND

|                     |                             |  |             | UNIT                            |
|---------------------|-----------------------------|--|-------------|---------------------------------|
| V <sub>REF</sub>    | Control input voltage       |  |             | –0.3 V to V <sub>I</sub> +0.3 V |
| T <sub>A</sub>      | Operating temperature range | Over V <sub>IN</sub> range                                       |             | –40°C to 85°C <sup>(1)</sup>    |
| T <sub>wave</sub>   | Wave solder temperature     | Surface temperature of module body or pins<br><b>(5 seconds)</b> | PTHXX050YAH | 260°C <sup>(2)</sup>            |
| T <sub>reflow</sub> | Solder reflow temperature   | Surface temperature of module body or pins                       | PTHXX050YAS | 235°C <sup>(2)</sup>            |
|                     |                             |  | PTHXX050YAZ | 260°C <sup>(2)</sup>            |
| T <sub>s</sub>      | Storage temperature         |  |             | –40°C to 125°C                  |
|                     | Mechanical shock            | Per Mil-STD-883D, Method 2002.3 1 msec, 1/2 Sine, mounted        |             | 500 G                           |
|                     | Mechanical vibration        | Mil-STD-883D, Method 2007.2 20-2000 Hz                           |             | 20 G                            |
|                     | Weight                      |  |             | 2.9 grams                       |
|                     | Flammability                | Meets UL 94V-O   |             |                                 |

- (1) For operation below 0°C the external capacitors must have stable characteristics, use either a low ESR tantalum, Os-Con, or ceramic capacitor.
- (2) During soldering of package version, do not elevate peak temperature of the module, pins or internal components above the stated maximum.

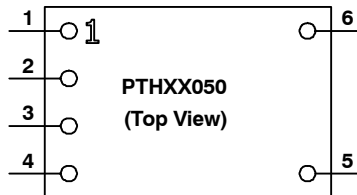
**ELECTRICAL SPECIFICATIONS**
 $T_A = 25^\circ\text{C}$ ; nominal  $V_{IN}$ ;  $V_{REF} = 1.25\text{ V}$ ;  $C_{IN}$ ,  $C_{O1}$ , and  $C_{O2}$  = typical values; and  $I_o = I_{o,max}$  (unless otherwise stated)

| PARAMETER            |   | TEST CONDITIONS   |                       | MIN                | TYP                | MAX                 | UNIT            |
|----------------------|---|---|-----------------------|--------------------|--------------------|---------------------|-----------------|
| $I_o$                | Output current                                | Over $V_{REF}$ range  | Continuous            | 0                  |                    | $\pm 6^{(1)}$       | A               |
|                      |   |   | Repetitive pulse      |                    |                    | $\pm 8^{(2)}$       | A               |
| $V_{IN}$             | Input voltage range                           | Over $I_o$ range  | PTH03050Y             | 2.95               |                    | 3.65                | V               |
|                      |   |   | PTH05050Y             | 4.5                |                    | 5.5                 |                 |
|                      |   |   | PTH12050Y             | 10.8               |                    | 13.2                |                 |
| $\Delta V_{REF}$     | Tracking range for $V_{REF}$                  |   |                       | 0.55               |                    | 1.8                 | V               |
| $ V_{TT} - V_{REF} $ | Tracking tolerance to $V_{REF}$               | Over line, load and temperature   |                       | -10                |                    | 10                  | mV              |
| $\eta$               | Efficiency                                    | $I_o = 4\text{ A}$  | PTH03050Y             |                    | 88%                |                     |                 |
|                      |   |   | PTH05050Y             |                    | 87%                |                     |                 |
|                      |   |   | PTH12050Y             |                    | 84%                |                     |                 |
| $V_r$                | $V_o$ Ripple (pk-pk)                          | 20 MHz bandwidth  |                       |                    | 20                 |                     | mVpp            |
| $I_o$ trip           | Overcurrent threshold                         | Reset, followed by auto recovery  |                       |                    | 12                 |                     | A               |
| $t_{tr}$             | Load transient response                       | 15 A/ $\mu\text{s}$ load step, from:<br>- 1.5 A to 1.5 A <sup>(3)</sup>   | Recovery time         |                    | 80                 |                     | $\mu\text{sec}$ |
|                      |   |   | $V_o$ over/undershoot |                    | 25                 | 40                  | mV              |
| UVLO                 | Under-voltage lockout                         | $V_{IN}$ Increasing   | PTH03050Y             |                    | 2.45               | 2.8                 | V               |
|                      |   |   | PTH05050Y             |                    | 4.3                | 4.45                |                 |
|                      |   |   | PTH12050Y             |                    | 9.5                | 10.4                |                 |
|                      |   | $V_{IN}$ Dncreasing   | PTH03050Y             | 2.0                | 2.40               | V                   |                 |
|                      |   |   | PTH05050Y             | 3.4                | 3.7                |                     |                 |
|                      |   |   | PTH12050Y             | 8.8                | 9                  |                     |                 |
| $V_{IH}$             | Inhibit control (pin 4)<br>Input high voltage | Referenced to GND   |                       | $V_{IN} - 0.5$     |                    | Open <sup>(4)</sup> | V               |
| $V_{IL}$             | Inhibit control (pin 4)<br>Input low voltage  |   |                       | -0.2               |                    | 0.6                 | V               |
| $I_{IL}$ inhibit     | Inhibit control (pin 4)<br>Input low curent   | Pin to GND  |                       |                    | 130                |                     | $\mu\text{A}$   |
| $I_{IN}$ inh         | Input standby current                         | Inhibit control (pin 4) to GND  |                       |                    | 10                 |                     | mA              |
| $f_s$                | Switching frequency                           | Over $V_{IN}$ and $I_o$ ranges  | PTH03050Y/PTH05050Y   | 550                | 600                | 650                 | kHz             |
|                      |   |   | PTH12050Y             | 200                | 250                | 300                 |                 |
| $C_{IN}$             | External input capacitance                    |   | PTH03050Y/PTH05050Y   | 220 <sup>(5)</sup> |                    |                     | $\mu\text{F}$   |
|                      |   |   | PTH12050Y             | 560 <sup>(5)</sup> |                    |                     |                 |
| $C_{O1}, C_{O2}$     | External output capacitance                   | Capacitance value: Nonceramic   | PTH03050Y/PTH05050Y   | 470 <sup>(3)</sup> |                    | 3300 <sup>(6)</sup> | $\mu\text{F}$   |
|                      |   |   | PTH12050Y             | 940 <sup>(3)</sup> |                    | 3300 <sup>(6)</sup> |                 |
|                      |   | Capacitance value: Ceramic  | PTH03050Y/PTH05050Y   |                    | 200 <sup>(3)</sup> | 300                 | $\mu\text{F}$   |
|                      |   |   | PTH12050Y             |                    | 400 <sup>(3)</sup> | 600                 |                 |
|                      |   | Equiv. series resistance (non-ceramic)                                    |                       | 4 <sup>(7)</sup>   |                    | m $\Omega$          |                 |
| MTBF                 | Reliability                                   | Per Bellcore TR-332 50 % stress, $T_A = 40^\circ\text{C}$ , ground benign |                       | 6                  |                    |                     | $10^6$ Hrs      |

- (1) Rating is conditional on the module being directly soldered to a 4-layer PCB with 1 oz. copper. See the SOA curves or contact the factory for appropriate derating. The PTH03050Y and PTH05050Y require no derating up to  $85^\circ\text{C}$  operating temperature and natural convection airflow.
- (2) Up to 10 ms pulse period at 10% maximum duty.
- (3) The minimum value of external output capacitance value ensures that VTT meets the specified transient performance requirements for the memory bus terminations. Lower values of capacitance may be possible when the *measured* peak change in output current is consistently less than 3 A.
- (4) This control pin has an internal pull-up to the input voltage  $V_{IN}$ . If it is left open-circuit the module will operate when input power is applied. A small low-leakage (<100 nA) MOSFET is recommended for control. For further information, consult the related application note.
- (5) An input capacitor is required for proper operation. The capacitor must be rated for a minimum of 300 mA rms (750 mA rms for 12-V input) of ripple current.
- (6) This is the calculated maximum. The minimum ESR limitation will often result in a lower value. Consult the application notes for further guidance.
- (7) This is the typical ESR for all the electrolytic (non-ceramic) output capacitance. Use 8 m $\Omega$  as the minimum when using max-ESR values to calculate.

**Terminal Functions**

| TERMINAL         |     | DESCRIPTION  |
|------------------|-----|--|
| NAME             | NO. |  |
| V <sub>IN</sub>  | 3   | The positive input voltage power node to the module, which is referenced to common GND.  |
| GND              | 1   | This is the common ground connection for the V <sub>IN</sub> and V <sub>TT</sub> power connections. It is also the 0-VDC reference for the control inputs.   |
| V <sub>REF</sub> | 2   | The module senses the voltage at this input to regulate the output voltage, V <sub>TT</sub> . The voltage at V <sub>REF</sub> is also the reference voltage for the system bus receiver comparators. It is normally set to precisely half the bus driver supply voltage (V <sub>DDQ</sub> + 2), using a resistor divider. The Thevenin impedance of the network driving the V <sub>REF</sub> pin should not exceed 500 Ω. See the Typical DDR Application Diagram in the Application Information section for reference.  |
| V <sub>TT</sub>  | 6   | This is the regulated power output from the module with respect to the GND node, and the tracking termination supply for the application data and address buses. It is precisely regulated to the voltage applied to the module's V <sub>REF</sub> input, and is active active about 20 ms after a valid input source is applied to the module. Once active it will track the voltage applied at V <sub>REF</sub> .  |
| Inhibit          | 4   | The Inhibit pin is an open-collector/drain negative logic input that is referenced to GND. Applying a low-level ground signal to this input turns off the output voltage, V <sub>TT</sub> . Although the module is inhibited, a voltage, V <sub>DDQ</sub> will be present at the output terminals, fed through the DDR memory. When the Inhibit is active, the input current drawn by the regulator is significantly reduced. If the Inhibit pin is left open circuit, the module will produce an output whenever a valid input source is applied. See the Typical DDR Application Diagram in the Application Information section for reference. |
| N/C              | 5   | No Connection  |



TYPICAL CHARACTERISTICS ( $V_{REF} = 1.25\text{ V}$ )<sup>(1) (2)</sup>

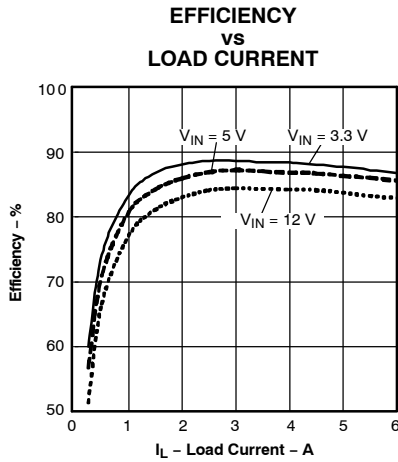


Figure 1.

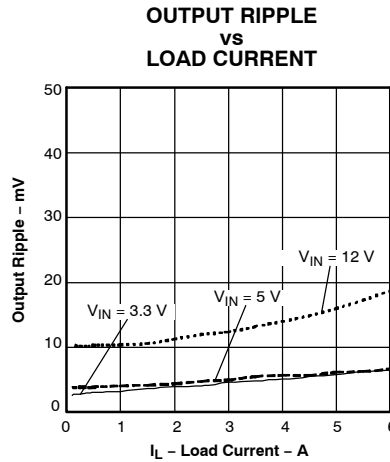


Figure 2.

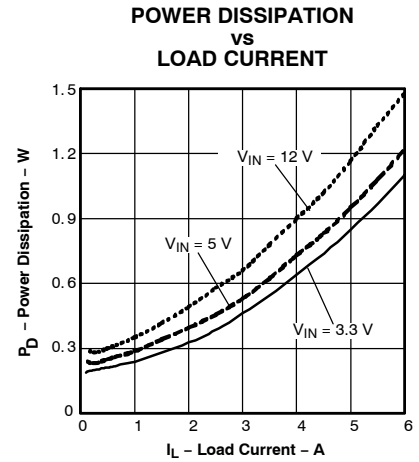


Figure 3.

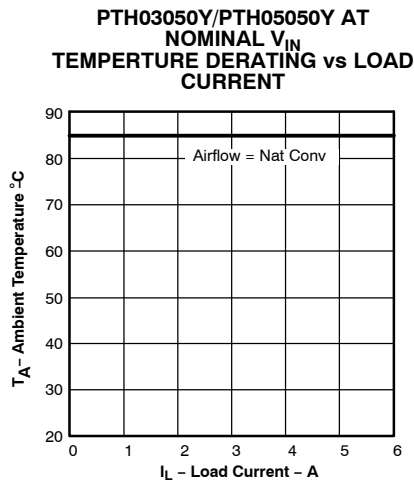


Figure 4.

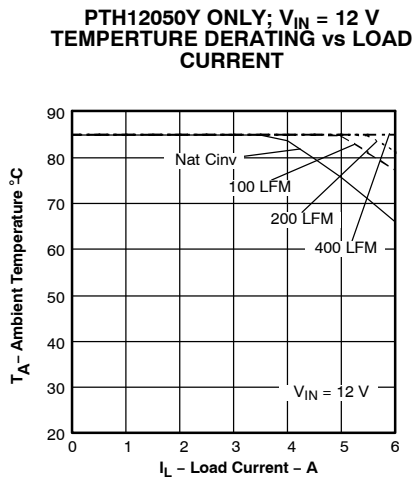


Figure 5.

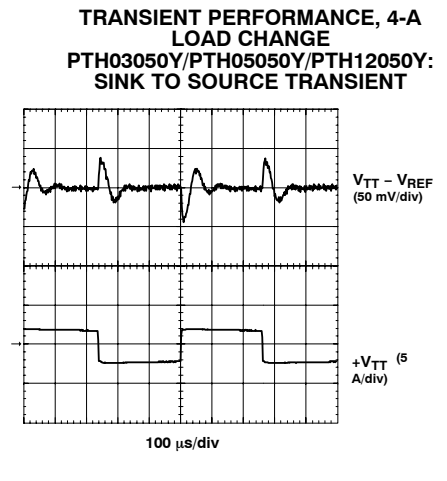
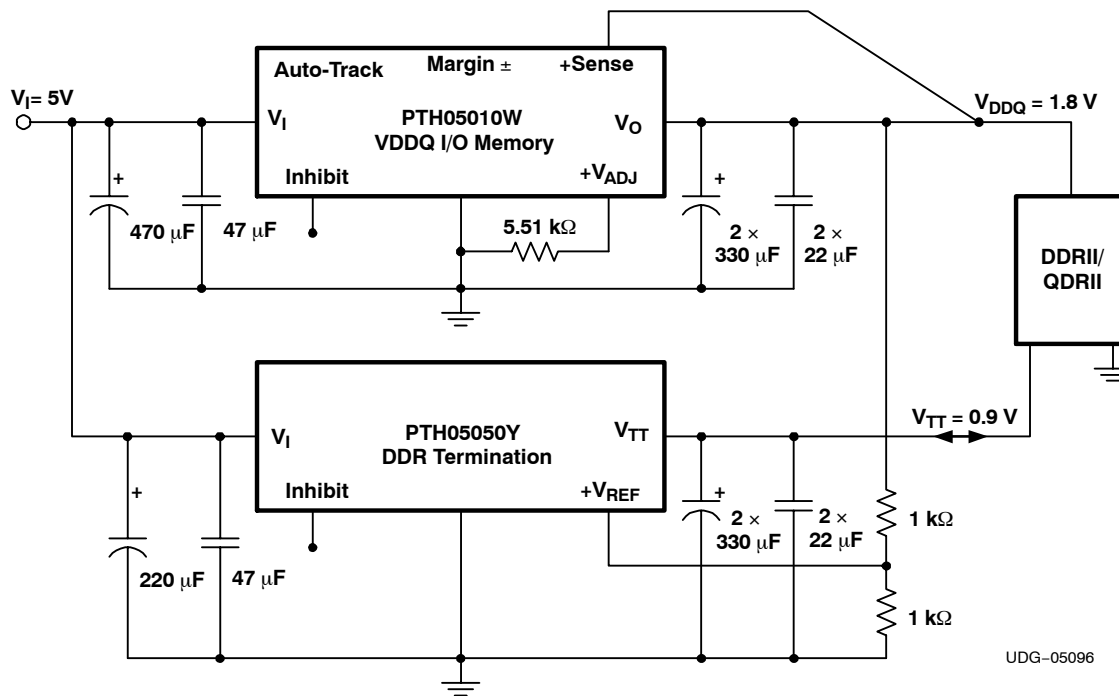


Figure 6.

- (1) The electrical characteristic data has been developed from actual products tested at 25°C. This data is considered typical for the converter. Applies to [Figure 1](#), [Figure 2](#), and [Figure 3](#).
- (2) The temperature derating curves represent the conditions at which internal components are at or below the manufacturer's maximum operating temperatures. Derating limits apply to modules soldered directly to a 4 mm x 4 mm double-sided PCB with 1 oz. copper. For surface mount packages (AS and AZ suffix), multiple vias (plated through holes) are required to add thermal paths around the power pins. Please refer to the mechanical specification for more information. Applies to [Figure 4](#), and [Figure 5](#).

APPLICATION INFORMATION

Typical DDR Application Diagram



UDG-05096

CAPACITOR RECOMMENDATIONS FOR THE PTH03050Y & PTH05050Y DDR POWER MODULES (3.3-V/5-V OPTION)

Input Capacitor

The recommended input capacitor(s) is determined by the 220  $\mu F$  minimum capacitance and 500 mArms minimum ripple current rating.

Ripple current and less than 100 m $\Omega$  equivalent series resistance (ESR) values are the major considerations, along with temperature, when designing with different types of capacitors. Unlike polymer tantalum, regular tantalum capacitors have a recommended minimum voltage rating of 2  $\times$  (maximum DC voltage + AC ripple). This is standard practice to insure reliability.

For improved ripple reduction on the input bus, ceramic capacitors may be substituted for electrolytic types using the minimum required capacitance.

Output Capacitors

For applications with load transients (sudden changes in load current), regulator response will benefit from external output capacitance. The recommended output capacitance of 470  $\mu F$  will allow the module to meet its transient response specification (see Electrical Specifications table). For most applications, a high quality computer-grade aluminum electrolytic capacitor is adequate. These capacitors provide decoupling over the frequency range, 2 kHz to 150 kHz, and are suitable when ambient temperatures are above 0°C. For operation below 0°C tantalum, ceramic or Os-Con type capacitors are recommended. When using one or more non-ceramic capacitors, the calculated equivalent ESR should be no lower than 4 m $\Omega$  (8 m $\Omega$  using the manufacturer's maximum ESR for a single capacitor). A list of preferred low-ESR type capacitors are identified in [Table 1](#).

## APPLICATION INFORMATION (continued)

### Ceramic Capacitors (Recommended)

Above 150 kHz the performance of aluminum electrolytic capacitors becomes less effective. To further improve the reflected input ripple current or the output transient response. Multilayer ceramic capacitors have very low ESR and their resonant frequency higher than the bandwidth of the regulator. They can be used to reduce the reflected ripple current at the input as well as improve the transient response of the output. When used on the output their combined ESR is not critical as long as the total value of ceramic capacitance does not exceed 300  $\mu\text{F}$ . Also, to prevent the formation of local resonances, do not place more than five identical ceramic capacitors in parallel with values of 10  $\mu\text{F}$  or greater.

### Tantalum Capacitors

Tantalum type capacitors can be used at both the input and output, and are recommended for applications where the ambient operating temperature can be less than 0°C. The AVX TPS, Sprague 593D/594/595 and Kemet T495/T510 capacitor series are suggested over many other tantalum types due to their higher rated surge, power dissipation, and ripple current capability. As a caution many general purpose tantalum capacitors have considerably higher ESR, reduced power dissipation and lower ripple current capability. These capacitors are also less reliable when determining their power dissipation and surge current rating. Tantalum capacitors that do not have a stated ESR or surge current rating are not recommended for power applications.

When specifying Os-Con and polymer tantalum capacitors for the output, the minimum ESR limit will be encountered well before the maximum capacitance value is reached.

### Capacitor Table

**Table 1** identifies the characteristics of capacitors from a number of vendors with acceptable ESR and ripple current (rms) ratings. The recommended number of capacitors required at both the input and output buses is identified for each capacitor type.

*This is not an extensive capacitor list. Capacitors from other vendors are available with comparable specifications. Those listed are for guidance. The RMS ripple current rating and ESR (at 100 kHz) are critical parameters necessary to insure both optimum regulator performance and long capacitor life.*

**Table 1. Input/Output Capacitors<sup>(1)</sup>**

| Capacitor Vendor,<br>Type/Series (Style) | Capacitor Characteristics |                            |                                       |   |                          | Quantity     |                    | Vendor<br>Part Number |
|--|---------------------------|----------------------------|---------------------------------------|---|--------------------------|--------------|--------------------|-----------------------|
|  | Working<br>Voltage<br>(V) | Value<br>( $\mu\text{F}$ ) | Max ESR<br>at 100 kHz<br>( $\Omega$ ) | Max Ripple<br>Current at 85°C<br>(I <sub>rms</sub> ) (mA) | Physical<br>Size<br>(mm) | Input<br>Bus | Output<br>Bus      |                       |
| Panasonic, Aluminum                      |                           |                            |                                       |   |                          |              |                    |                       |
| FC (Radial)                              | 10                        | 470                        | 0.117                                 | 555   | 8×10                     | 1            | 1                  | EEUFC1A471            |
| FK (SMD)                                 | 25                        | 470                        | 0.080                                 | 850   | 10×10.2                  | 1            | 1                  | EEVFK1E471P           |
| FC (SMD)                                 | 16                        | 470                        | 0.150                                 | 670   | 10×10.2                  | 1            | 1                  | EEVFC1C471P           |
| United Chemi-Con                         |                           |                            |                                       |   |                          |              |                    |                       |
| PXA, Poly-Aluminum (SMD)                 | 6.3                       | 470                        | 0.020                                 | >4100   | 10×7.7                   | 1            | ≤2                 | PXA6.3VC471MJ80TP     |
| PS, Poly-Aluminum (Radial)               | 6.3                       | 390                        | 0.012                                 | 4770  | 8×11.5                   | 1            | ≤1 <sup>(2)</sup>  | 6PS390MH11            |
| PSA, Poly-Aluminum (Radial)              | 10                        | 470                        | 0.008                                 | 5650  | 8×11.5                   | 1            | ≤1                 | PSA10VB470MJ11        |
| LXZ, Aluminum (Radial)                   | 16                        | 470                        | 0.090                                 | 760   | 10×12.5                  | 1            | 1                  | LXZ16VB471M10X12LL    |
| Panasonic, Poly-Aluminum<br>S/SE (SMD)   | 6.3                       | 180                        | 0.005                                 | 4000  | 7.3×4.3×4.2              | 2            | N/R <sup>(3)</sup> | EEFSE0J181R           |

**(1) Capacitor Supplier Verification**

Please verify availability of capacitors identified in this table. Capacitor suppliers may recommend alternative part numbers because of limited availability or obsolete products. In some instances, the capacitor product life cycle may be in decline and have short-term consideration for obsolescence.

**RoHS, Lead-free and Material Details**

Please consult capacitor suppliers regarding material composition, RoHS status, lead-free status, and manufacturing process requirements. Component designators or part number deviations can occur when material composition or soldering requirements are updated.

- (2) The total capacitance can be slightly lower than recommended minimum, but is acceptable based on the combined ripple current rating.  
 (3) This capacitor is not recommended for the V<sub>O</sub> bus. The capacitor ESR is below the specified minimum for non-ceramic capacitor.

**APPLICATION INFORMATION (continued)**

**Table 1. Input/Output Capacitors (continued)**

| Capacitor Vendor,<br>Type/Series (Style) | Capacitor Characteristics |                     |                                       |   |                          | Quantity         |               | Vendor<br>Part Number |
|--|---------------------------|---------------------|---------------------------------------|---|--------------------------|------------------|---------------|-----------------------|
|  | Working<br>Voltage<br>(V) | Value<br>( $\mu$ F) | Max ESR<br>at 100 kHz<br>( $\Omega$ ) | Max Ripple<br>Current at 85°C<br>(I <sub>rms</sub> ) (mA) | Physical<br>Size<br>(mm) | Input<br>Bus     | Output<br>Bus |                       |
| Nichicon Aluminum                        |                           |                     |                                       |   |                          |                  |               |                       |
| WG (SMD)                                 | 10                        | 470                 | 0.150                                 | 670   | 10x10                    | 1                | 1             | UWG1A471MNR1GS        |
| HD (Radial)                              | 10                        | 470                 | 0.072                                 | 760   | 8x11.5                   | 1                | 1             | UHD1A471MPR           |
| PM (Radial)                              | 10                        | 470                 | 0.120                                 | 600   | 10x12.5                  | 1                | 1             | UPM1A471MPH6          |
| Sanyo                                    |                           |                     |                                       |   |                          |                  |               |                       |
| SP, Os-con (Radial)                      | 10                        | 470                 | 0.015                                 | 4500  | 10x10.5                  | 1                | $\leq 2$      | 10SP470M              |
| SVPA (SMD)                               | 6.3                       | 470                 | 0.020                                 | >4100   | 7,9x10                   | 1                | $\leq 2$      | 6SVPA470M             |
| TPE, Poscap (SMD)                        | 6.3                       | 220                 | 0.025                                 | 2400  | 7.3x4.3                  | 1                | $\leq 3$      | 6TPE220ML             |
| AVX, Tantalum                            | 10                        | 330                 | 0.045                                 | 1723  | 7.3L x5.7W<br>x4.1H      | 1                | $\leq 5$      | TPSE337M010R0045      |
| TPS (SMD)                                | 10                        | 330                 | 0.060                                 | 1826  |                          | 1                | $\leq 5$      | TPSV337M010R0060      |
| Kemet, Poly-Tantalum                     |                           |                     |                                       |   |                          |                  |               |                       |
| T520 (SMD)                               | 10                        | 330                 | 0.040                                 | 1800  | 4.3W x7.3L<br>x4.0H      | 1                | $\leq 5$      | T520X337M010ASE045    |
| T530 (SMD)                               | 10                        | 330                 | 0.010                                 | >5000   |                          | 1                | $\leq 1$      | T530X337M010ASE010    |
| Vishay-Sprague                           |                           |                     |                                       |   |                          |                  |               |                       |
| 595D, Tantalum (SMD)                     | 10                        | 330                 | 0.100                                 | 1040  | 7.2Lx6W<br>x4.1H         | 1                | $\leq 5$      | 595D377x0010D2T       |
| 594D, Tantalum (SMD)                     | 10                        | 330                 | 0.045                                 | 2360  | 10x10.5                  | 1                | $\leq 5$      | 594D337X0016R2T       |
| 94SVP, Poly-Aluminum (Radial)            | 6.3                       | 330                 | 0.025                                 | 3500  |                          | 1                | $\leq 3$      | 94SA337X06R3FBP       |
| Kemet, Ceramic X5R (SMD)                 | 16                        | 10                  | 0.002                                 | –   | 1210 /3225               | 1                | $\leq 5$      | C1210C106M4PAC        |
|  | 6.3                       | 47                  | 0.002                                 |   | 3225 mm                  | 1                | $\leq 5$      | C1210C476K9PAC        |
| Murata, Ceramic X5R (SMD)                | 6.3                       | 100                 | 0.002                                 | –   | 3225 mm                  | 1 <sup>(4)</sup> | $\leq 3$      | GRM32ER60J107M        |
|  | 6.3                       | 47                  | 0.002                                 |   | 3225 mm                  | 1 <sup>(4)</sup> | $\leq 5$      | GRM32ER60J476M        |
|  | 16                        | 22                  | 0.002                                 |   |                          | 1 <sup>(4)</sup> | $\leq 5$      | GRM32ER61C226K        |
|  | 16                        | 10                  | 0.002                                 |   |                          | 1 <sup>(4)</sup> | $\leq 5$      | GRM32DR61C106K        |
| TDK, Ceramic X5R (SMD)                   | 6.3                       | 100                 | 0.002                                 | –   | 3225 mm                  | 1 <sup>(4)</sup> | $\leq 3$      | C3225X5R0J107MT       |
|  | 6.3                       | 47                  | 0.002                                 |   | 3225 mm                  | 1 <sup>(4)</sup> | $\leq 5$      | C3225X5R0J476MT       |
|  | 16                        | 22                  | 0.002                                 |   |                          | 1 <sup>(4)</sup> | $\leq 5$      | C3225X5R1C226MT       |
|  | 16                        | 10                  | 0.002                                 |   |                          | 1 <sup>(4)</sup> | $\leq 5$      | C3225X5R1C106MT       |

(4) A ceramic capacitor can be used to compliment electrolytic types at the input to further reduce high-frequency ripple current.

**Designing for Very Fast Load Transients**

The transient response of the DC/DC converter has been characterized using a load transient with a di/dt of 1 A/ $\mu$ s. The typical voltage deviation for this load transient is given in the data sheet specification table using the optional value of output capacitance. As the di/dt of a transient is increased, the response of a converter's regulation circuit ultimately depends on its output capacitor decoupling network. This is an inherent limitation with any DC/DC converter once the speed of the transient exceeds its bandwidth capability. If the target application specifies a higher di/dt or lower voltage deviation, the requirement can only be met with additional output capacitor decoupling. In these cases special attention must be paid to the type, value and ESR of the capacitors selected.

If the transient performance requirements exceed that specified in the data sheet, or the total amount of load capacitance is above 3300  $\mu$ F, the selection of output capacitors becomes more important.



## CAPACITOR RECOMMENDATIONS FOR THE PTH12050Y DDR POWER MODULES PTH12050Y (12-V OPTION)

### Input Capacitor

The recommended input capacitance is determined by the 560  $\mu\text{F}$  minimum capacitance and 750 mArms minimum ripple current rating. A  $\geq 10\text{-}\mu\text{F}$  X5R/X7R ceramic capacitor can be added to reduce the reflected input ripple current. The ceramic capacitor should be located between the input electrolytic and the module.

Ripple current, less than 100 m $\Omega$  equivalent series resistance (ESR) and temperature, are major considerations when selecting input capacitors. Unlike polymer-tantalum capacitors, regular tantalum capacitors have a recommended minimum voltage rating of  $2 \times$  (max. dc voltage + ac ripple). No tantalum capacitors were found with sufficient voltage rating to meet this requirement. At temperatures below 0°C, the ESR of aluminum electrolytic capacitors increases. For these applications, Os-Con, polymer-tantalum, and polymer-aluminum types should be considered.

### Output Capacitors

For applications with load transients (sudden changes in load current), regulator response will benefit from external output capacitance. The recommended minimum output capacitance of 940  $\mu\text{F}$  will allow the module to meet its transient response specification (see Electrical Specifications table). For most applications, a high quality computer-grade aluminum electrolytic capacitor is adequate. These capacitors provide decoupling over the frequency range, 2 kHz to 150 kHz, and are suitable when ambient temperatures are above 0°C. For operation below 0°C tantalum, ceramic or Os-Con type capacitors are recommended. When using one or more non-ceramic capacitors, the calculated equivalent ESR should be no lower than 4 m $\Omega$  (8 m $\Omega$  using the manufacturer's maximum ESR for a single capacitor)

A list of preferred low-ESR type capacitors are identified in [Table 2](#).

In addition to electrolytic capacitance, adding a 10- $\mu\text{F}$  to 22- $\mu\text{F}$  X5R/X7R ceramic capacitor to the output reduces the output ripple voltage and improves the regulator's transient response. The measurement of both the output ripple and transient response is also best achieved across a 10- $\mu\text{F}$  ceramic capacitor.

### Ceramic Capacitors

Above 150 kHz, the performance of aluminum electrolytic capacitors is less effective. Multilayer ceramic capacitors have a low ESR and a resonant frequency higher than the bandwidth of the regulator. They can be used to reduce the reflected ripple current at the input, and improve the transient response of the output. When used on the output, their combined ESR is not critical as long as the total value of ceramic capacitance does not exceed 300  $\mu\text{F}$ . Also, to prevent the formation of local resonances, do not place more than five identical ceramic capacitors in parallel with values of 10  $\mu\text{F}$  or greater.

### Tantalum Capacitors

Tantalum type capacitors are most suited for use on the output bus, and are recommended for applications where the ambient operating temperature can be less than 0°C. The AVX TPS, Sprague 593D/594/595, and Kemet T495/T510 capacitor series are suggested over other tantalum types due to their higher rated surge, power dissipation, and ripple current capability. As a caution, many general-purpose tantalum capacitors have considerably higher ESR, reduced power dissipation, and lower ripple current capability. These capacitors are also less reliable as they have lower power dissipation and surge current ratings. Tantalum capacitors that do not have a stated ESR or surge current rating are not recommended for power applications.

When specifying Os-con and polymer tantalum capacitors for the output, the minimum ESR limit is encountered well before the maximum capacitance value is reached.

### Capacitor Table

[Table 2](#) identifies the characteristics of capacitors from a number of vendors with acceptable ESR and ripple current (rms) ratings. The recommended number of capacitors required at both the input and output buses is identified for each capacitor type.

*Note: This is not an extensive capacitor list. Capacitors from other vendors are available with comparable specifications. Those listed are for guidance. The RMS ripple current rating and ESR (at 100 kHz) are critical parameters necessary to insure both optimum regulator performance and long capacitor life.*

**Table 2. Input/Output Capacitors<sup>(1)</sup>**

| Capacitor Vendor, Type/Series (Style)  | Capacitor Characteristics |            |                        |   |                    | Quantity           |            | Vendor Number      |
|--|---------------------------|------------|------------------------|---|--------------------|--------------------|------------|--------------------|
|  | Working Voltage (V)       | Value (μF) | Max ESR at 100 kHz (Ω) | Max Ripple Current at 85°C (I <sub>rms</sub> ) (mA) | Physical Size (mm) | Input Bus          | Output Bus |                    |
| Panasonic, Aluminum FC Radial FK (SMD) | 25                        | 560        | 0.065                  | 1205  | 12,5 × 15          | 1                  | 1          | EEUFC1E561S        |
|  | 16                        | 680        | 0.080                  | 850   | 10 × 10,2          | 1                  | 2          | EEVFK1C681P        |
| United Chemi-Con                       |                           |            |                        |   |                    |                    |            |                    |
| PXA, Poly-Aluminum (SMD)               | 16                        | 330        | 0.014                  | 5050  | 10 × 12,5          | 2                  | ≤2         | PXA16VC331MJ12TP   |
| PS, Poly-Aluminum (Radial)             | 16                        | 330        | 0.0014                 | 5050  | 10 × 12,5          | 2                  | ≤2         | 16PS330MJ12        |
| LXZ, Aluminum (Radial)                 | 16                        | 680        | 0.068                  | 1050  | 10 × 16            | 1                  | 1          | LXZ16VB681M10X16LL |
| Nichicon Aluminum                      | 25                        | 560        | 0.060                  | 1060  | 12,5 × 15          | 1                  | 1          | UPM1E561MHH6       |
| PM (Radial)                            | 16                        | 680        | 0.038                  | 1430  | 10 × 16            | 1                  | 2          | UHD1C681MHR        |
| HD (Radial)                            | 35                        | 560        | 0.048                  | 1360  | 16 × 15            | 1                  | 1          | UPM1V561MHH6       |
| Panasonic, Poly-Alum S/SE (SMD)        | 6.3                       | 180        | 0.005                  | 4000  | 7,3 × 4,3 × 4,2    | N/R <sup>(2)</sup> | ≤1         | EEFSE0J181R        |
| Sanyo                                  |                           |            |                        |   |                    |                    |            |                    |
| TPE, ps-Ccap (SMD)                     | 10                        | 330        | 0.025                  | 3000  | 7,3 L × 5,7 W      | N/R <sup>(2)</sup> | ≤3         | 10TPE330M          |
| SEPC Os-con (Radial)                   | 16                        | 470        | 0.010                  | >6100   | 10 × 13            | 1 <sup>(3)</sup>   | ≤1         | 16SEPC470M         |
| SVP, Os-con (SMD)                      | 16                        | 330        | 0.016                  | 4700  | 11 × 12            | 2                  | ≤2         | 16SVP330M          |
| SVPC Os-con (SMD)                      | 4                         | 1200       | 0.010                  | 4700  | 8 × 11,9           | N/R <sup>(2)</sup> | ≤1         | 4SVPC1200M         |
| AVX, Tantalum TPS (SMD)                | 10                        | 470        | 0.045                  | >1723   | 7,3 × 5,7 × 4,1    | N/R <sup>(2)</sup> | ≤5         | TPSE477M019R0045   |
|  | 10                        | 330        | 0.045                  | >1723   |                    | N/R <sup>(2)</sup> | ≤5         | TPSE337M019R0045   |
| Kemet                                  |                           |            |                        |   |                    |                    |            |                    |
| T520, Poly-Tantalum (SMD)              | 6.3                       | 470        | 0.040                  | 1800  |                    | N/R <sup>(2)</sup> | ≤5         | T520X477M006ASE040 |
| T530, Tantalum/Organic                 | 4                         | 680        | 0.010                  | >5100   | 4,3 × 7,3 × 4      | N/R <sup>(2)</sup> | ≤1         | T530X687M004ASE010 |
| T530, Tantalum/Organic                 | 6.3                       | 470        | 0.010                  | 5200  |                    | N/R <sup>(2)</sup> | ≤1         | T530X477M006ASE010 |
| Vishay-Sprague                         |                           |            |                        |   |                    |                    |            |                    |
| 594D, Tantalum (SMD)                   | 10                        | 470        | 0.100                  | 1440  | 7,2 × 6 × 4,1      | N/R <sup>(2)</sup> | ≤5         | 595D477X0010R2T    |
| 94SVP, Os-con (SMD)                    | 16                        | 330        | 0.017                  | >4500   | 10 × 12,7          | 2                  | ≤2         | 94SVP337X0016F12   |
| 94SA, Organic (Radial)                 | 16                        | 1000       | 0.015                  | >9700   | 16 × 25            | 1                  | ≤2         | 94SA108X0016HBP    |
| Kemet, Ceramic X5R (SMD)               | 16                        | 10         | 0.002                  |   | 3225 mm            | 1 <sup>(4)</sup>   | ≤5         | C1210C106M4PAC     |
|  | 6.3                       | 47         | 0.002                  |   | 3225 mm            | N/R <sup>(2)</sup> | ≤5         | C1210C476K9PAC     |
| Murata, Ceramic X5R (SMD)              | 6.3                       | 100        | 0.002                  |   | 3225 mm            | N/R <sup>(2)</sup> | ≤3         | GRM32ER60J107M     |
|  | 6.3                       | 47         |                        |   | 3225 mm            | N/R <sup>(2)</sup> | ≤5         | GRM32ER60J476M     |
|  | 16                        | 22         |                        |   |                    | 1 <sup>(4)</sup>   | ≤5         | GRM32ER61C226K     |
|  | 16                        | 10         |                        |   |                    | 1 <sup>(4)</sup>   | ≤5         | GRM32DR61C106K     |
| TDK, Ceramic X5R (SMD)                 | 6.3                       | 100        | 0.002                  |   | 3225 mm            | N/R <sup>(2)</sup> | ≤3         | C3225X5R0J107MT    |
|  | 6.3                       | 47         |                        |   | 3225 mm            | N/R <sup>(2)</sup> | ≤5         | C3225X5R0J476MT    |
|  | 16                        | 22         |                        |   |                    | 1 <sup>(4)</sup>   | ≤5         | C3225X5R1C226MT    |
|  | 16                        | 10         |                        |   |                    | 1 <sup>(4)</sup>   | ≤5         | C3225X5R1C106MT    |

**(1) Capacitor Supplier Verification**

Please verify availability of capacitors identified in this table. Capacitor suppliers may recommend alternative part numbers because of limited availability or obsolete products. In some instances, the capacitor product life cycle may be in decline and have short-term consideration for obsolescence.

**RoHS, Lead-free and Material Details**

Please consult capacitor suppliers regarding material composition, RoHS status, lead-free status, and manufacturing process requirements. Component designators or part number deviations can occur when material composition or soldering requirements are updated.

(2) N/R – Not recommended. The capacitor voltage rating does not meet the minimum operating limits.

(3) A total capacitance of 470 μF is acceptable based on the combined ripple current rating.

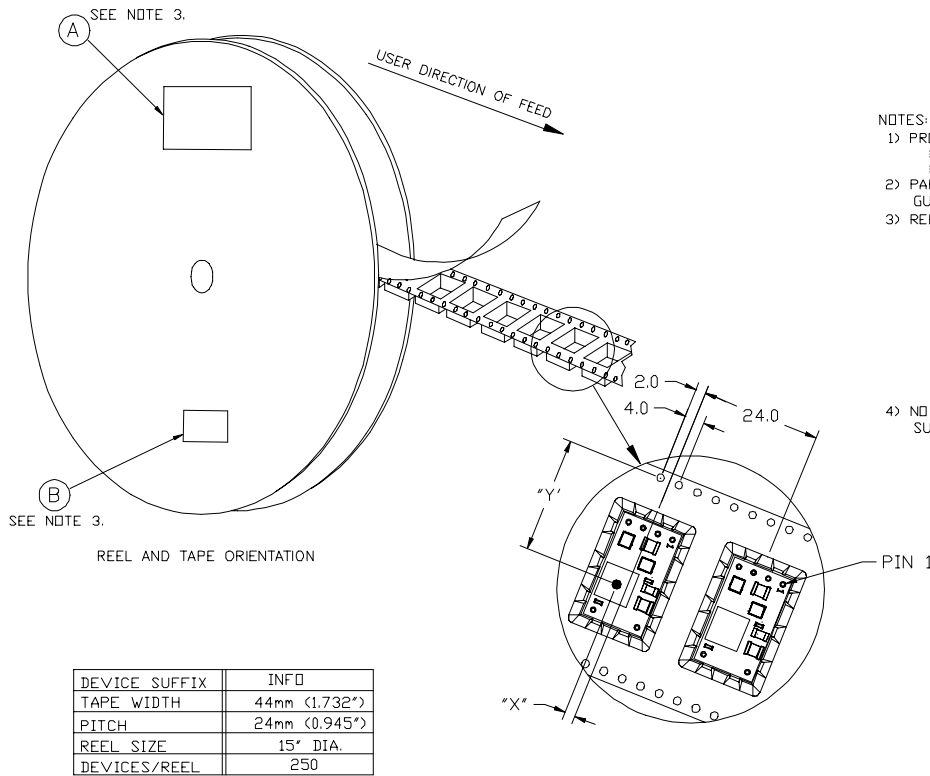
(4) Ceramic capacitors are recommended to complement electrolytic types at the input and to reduce high-frequency ripple current.

### **Designing for Very Fast Load Transients**

The transient response of the DC/DC converter has been characterized using a load transient with a  $di/dt$  of  $1\text{ A}/\mu\text{s}$ . The typical voltage deviation for this load transient is given in the data sheet specification table using the optional value of output capacitance. As the  $di/dt$  of a transient is increased, the response of a converter's regulation circuit ultimately depends on its output capacitor decoupling network. This is an inherent limitation with any DC/DC converter once the speed of the transient exceeds its bandwidth capability. If the target application specifies a higher  $di/dt$  or lower voltage deviation, the requirement can only be met with additional output capacitor decoupling. In these cases special attention must be paid to the type, value and ESR of the capacitors selected.

If the transient performance requirements exceed that specified in the data sheet, or the total amount of load capacitance is above  $3300\ \mu\text{F}$ , the selection of output capacitors becomes more important.

### TAPE AND REEL SPECIFICATION

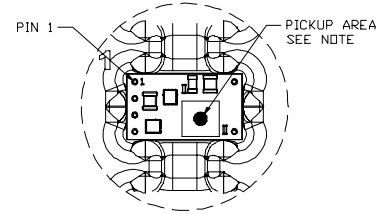
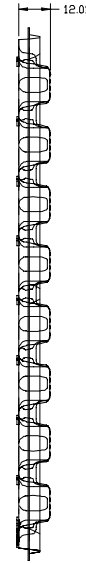
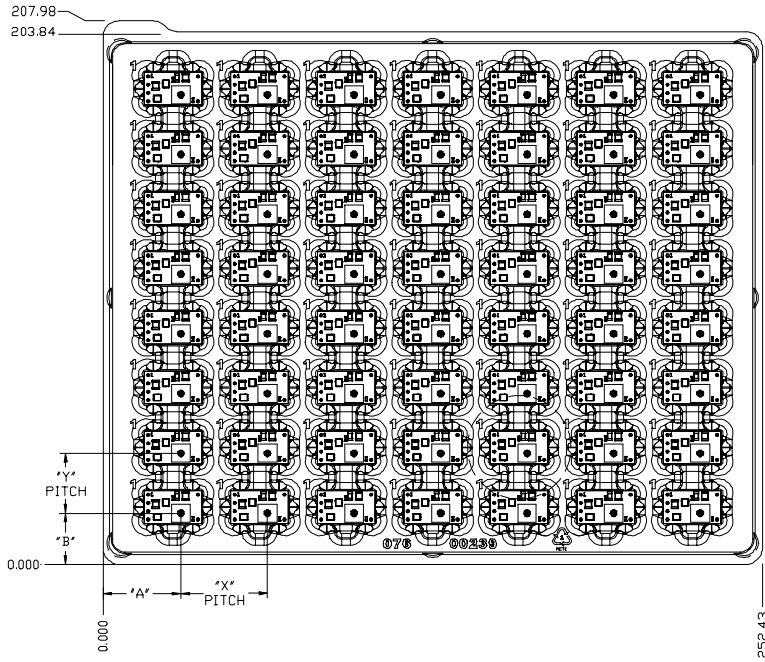


NOTES:

- 1) PROCESS IN ACCORDANCE WITH EIA-481-2
  - \* TAPE LEADER DIMENSION 15.30" MIN.
  - \* TAPE TRAILER DIMENSION 6.30" MIN.
- 2) PARTS SHOULD BE PACKAGED IN ACCORDANCE WITH ESD GUIDELINES IN EIA-541.
- 3) REEL LABEL: \*A\*-
  - \* TI PART NUMBER.
  - \* QUANTITY
  - \* DATE CODE
  - \* LOT NUMBER
  - \* MSL DATA
  - \* MADE IN
  - \* ASSY SITE ORIGIN
  - \* COUNTRY OF ORIGIN
  - \* SUPPLIER
- \*B\*- ANTI-STATIC CAUTION LABEL
- 4) NO REQUIREMENT FOR TAPE DIRECTION OF FEED FROM SUPPLIER REEL.

| PTXXXX5X       | "X"    | "Y"    |
|----------------|--------|--------|
| PTH03050/05050 | -2.2mm | 23.2mm |
| PTH04050A      | 2.1mm  | 18.7mm |
| PTH04050C      | -1.9mm | 18.7mm |
| PTH12050       | -1.4mm | 22.7mm |

### TRAY SPECIFICATION



NOTE: THE INDUCTOR IS USED TO PICK AND PLACE THE MODULE. IT'S LOCATION MAY VARY FROM PACKAGE STYLE. SEE PRODUCT TABLE

| PTXXX5X        | "A"   | "B"   | "X"   | "Y"   |
|----------------|-------|-------|-------|-------|
| PTH03050/05050 | 29.90 | 19.62 | 33.12 | 22.86 |
| PTH12050       | 29.35 | 20.39 |       |       |
| PTN04050A      | 25.29 | 23.88 |       |       |
| PTN04050C      | 25.32 | 19.88 |       |       |

ALL DIMENSIONS ARE IN MILLIMETER.

|              |    |
|--------------|----|
| DEVICES/TRAY | 56 |
|--------------|----|

**PACKAGING INFORMATION**

| Orderable part number        | Status<br>(1) | Material type<br>(2) | Package   Pins                 | Package qty   Carrier | RoHS<br>(3) | Lead finish/<br>Ball material<br>(4) | MSL rating/<br>Peak reflow<br>(5)          | Op temp (°C) | Part marking<br>(6) |
|------------------------------|---------------|----------------------|--------------------------------|-----------------------|-------------|--------------------------------------|--|--------------|---------------------|
| <a href="#">PTH03050YAH</a>  | Last Time Buy | Production           | Through-Hole Module (EUV)   6  | 56   TIW TRAY         | Exempt      | SN                                   | N/A for Pkg Type                           | -40 to 85    |                     |
| PTH03050YAH.B                | NRND          | Production           | Through-Hole Module (EUV)   6  | 56   TIW TRAY         | Exempt      | SN                                   | N/A for Pkg Type                           | -40 to 85    |                     |
| <a href="#">PTH03050YAS</a>  | Last Time Buy | Production           | Surface Mount Module (EUV)   6 | 56   TIW TRAY         | No          | SNPB                                 | Level-1-235C-UNLIM/<br>Level-3-260C-168HRS | -40 to 85    |                     |
| PTH03050YAS.B                | NRND          | Production           | Surface Mount Module (EUV)   6 | 56   TIW TRAY         | No          | SNPB                                 | Level-1-235C-UNLIM/<br>Level-3-260C-168HRS | -40 to 85    |                     |
| <a href="#">PTH03050YAST</a> | Last Time Buy | Production           | Surface Mount Module (EUV)   6 | 250   SMALL T&R       | No          | SNPB                                 | Level-1-235C-UNLIM/<br>Level-3-260C-168HRS | -40 to 85    |                     |
| PTH03050YAST.B               | NRND          | Production           | Surface Mount Module (EUV)   6 | 250   SMALL T&R       | No          | SNPB                                 | Level-1-235C-UNLIM/<br>Level-3-260C-168HRS | -40 to 85    |                     |
| <a href="#">PTH03050YAZ</a>  | Last Time Buy | Production           | Surface Mount Module (EUV)   6 | 56   TIW TRAY         | Exempt      | SNAGCU                               | Level-3-260C-168 HR                        | -40 to 85    |                     |
| PTH03050YAZ.B                | NRND          | Production           | Surface Mount Module (EUV)   6 | 56   TIW TRAY         | Exempt      | SNAGCU                               | Level-3-260C-168 HR                        | -40 to 85    |                     |
| <a href="#">PTH05050YAH</a>  | Last Time Buy | Production           | Through-Hole Module (EUV)   6  | 56   TIW TRAY         | Exempt      | SN                                   | N/A for Pkg Type                           | -40 to 85    |                     |
| PTH05050YAH.B                | NRND          | Production           | Through-Hole Module (EUV)   6  | 56   TIW TRAY         | Exempt      | SN                                   | N/A for Pkg Type                           | -40 to 85    |                     |
| <a href="#">PTH05050YAS</a>  | Last Time Buy | Production           | Surface Mount Module (EUV)   6 | 56   TIW TRAY         | No          | SNPB                                 | Level-1-235C-UNLIM/<br>Level-3-260C-168HRS | -40 to 85    |                     |
| PTH05050YAS.B                | NRND          | Production           | Surface Mount Module (EUV)   6 | 56   TIW TRAY         | No          | SNPB                                 | Level-1-235C-UNLIM/<br>Level-3-260C-168HRS | -40 to 85    |                     |
| <a href="#">PTH05050YAZ</a>  | Last Time Buy | Production           | Surface Mount Module (EUV)   6 | 56   TIW TRAY         | Exempt      | SNAGCU                               | Level-3-260C-168 HR                        | -40 to 85    |                     |
| PTH05050YAZ.B                | NRND          | Production           | Surface Mount Module (EUV)   6 | 56   TIW TRAY         | Exempt      | SNAGCU                               | Level-3-260C-168 HR                        | -40 to 85    |                     |
| <a href="#">PTH05050YAZT</a> | Last Time Buy | Production           | Surface Mount Module (EUV)   6 | 250   SMALL T&R       | Exempt      | SNAGCU                               | Level-3-260C-168 HR                        | -40 to 85    |                     |
| PTH05050YAZT.B               | NRND          | Production           | Surface Mount Module (EUV)   6 | 250   SMALL T&R       | Exempt      | SNAGCU                               | Level-3-260C-168 HR                        | -40 to 85    |                     |

| Orderable part number        | Status<br>(1) | Material type<br>(2) | Package   Pins                 | Package qty   Carrier | RoHS<br>(3) | Lead finish/<br>Ball material<br>(4) | MSL rating/<br>Peak reflow<br>(5)          | Op temp (°C) | Part marking<br>(6) |
|------------------------------|---------------|----------------------|--------------------------------|-----------------------|-------------|--------------------------------------|--|--------------|---------------------|
| <a href="#">PTH12050YAH</a>  | Active        | Production           | Through-Hole Module (EUV)   6  | 56   TIW TRAY         | Exempt      | SN                                   | N/A for Pkg Type                           | -40 to 85    |                     |
| PTH12050YAH.B                | Active        | Production           | Through-Hole Module (EUV)   6  | 56   TIW TRAY         | Exempt      | SN                                   | N/A for Pkg Type                           | -40 to 85    |                     |
| <a href="#">PTH12050YAS</a>  | Active        | Production           | Surface Mount Module (EUV)   6 | 56   TIW TRAY         | No          | SNPB                                 | Level-1-235C-UNLIM/<br>Level-3-260C-168HRS | -40 to 85    |                     |
| <a href="#">PTH12050YAST</a> | Active        | Production           | Surface Mount Module (EUV)   6 | 250   SMALL T&R       | No          | SNPB                                 | Level-1-235C-UNLIM/<br>Level-3-260C-168HRS | -40 to 85    |                     |
| PTH12050YAST.B               | Active        | Production           | Surface Mount Module (EUV)   6 | 250   SMALL T&R       | No          | SNPB                                 | Level-1-235C-UNLIM/<br>Level-3-260C-168HRS | -40 to 85    |                     |
| <a href="#">PTH12050YAZ</a>  | Active        | Production           | Surface Mount Module (EUV)   6 | 56   TIW TRAY         | Exempt      | SNAGCU                               | Level-3-260C-168 HR                        | -40 to 85    |                     |
| PTH12050YAZ.B                | Active        | Production           | Surface Mount Module (EUV)   6 | 56   TIW TRAY         | Exempt      | SNAGCU                               | Level-3-260C-168 HR                        | -40 to 85    |                     |
| <a href="#">PTH12050YAZT</a> | Active        | Production           | Surface Mount Module (EUV)   6 | 250   SMALL T&R       | Exempt      | SNAGCU                               | Level-3-260C-168 HR                        | -40 to 85    |                     |
| PTH12050YAZT.B               | Active        | Production           | Surface Mount Module (EUV)   6 | 250   SMALL T&R       | Exempt      | SNAGCU                               | Level-3-260C-168 HR                        | -40 to 85    |                     |

(1) **Status:** For more details on status, see our [product life cycle](#).

(2) **Material type:** When designated, preproduction parts are prototypes/experimental devices, and are not yet approved or released for full production. Testing and final process, including without limitation quality assurance, reliability performance testing, and/or process qualification, may not yet be complete, and this item is subject to further changes or possible discontinuation. If available for ordering, purchases will be subject to an additional waiver at checkout, and are intended for early internal evaluation purposes only. These items are sold without warranties of any kind.

(3) **RoHS values:** Yes, No, RoHS Exempt. See the [TI RoHS Statement](#) for additional information and value definition.

(4) **Lead finish/Ball material:** Parts may have multiple material finish options. Finish options are separated by a vertical ruled line. Lead finish/Ball material values may wrap to two lines if the finish value exceeds the maximum column width.

(5) **MSL rating/Peak reflow:** The moisture sensitivity level ratings and peak solder (reflow) temperatures. In the event that a part has multiple moisture sensitivity ratings, only the lowest level per JEDEC standards is shown. Refer to the shipping label for the actual reflow temperature that will be used to mount the part to the printed circuit board.

(6) **Part marking:** There may be an additional marking, which relates to the logo, the lot trace code information, or the environmental category of the part.

Multiple part markings will be inside parentheses. Only one part marking contained in parentheses and separated by a "~" will appear on a part. If a line is indented then it is a continuation of the previous line and the two combined represent the entire part marking for that device.

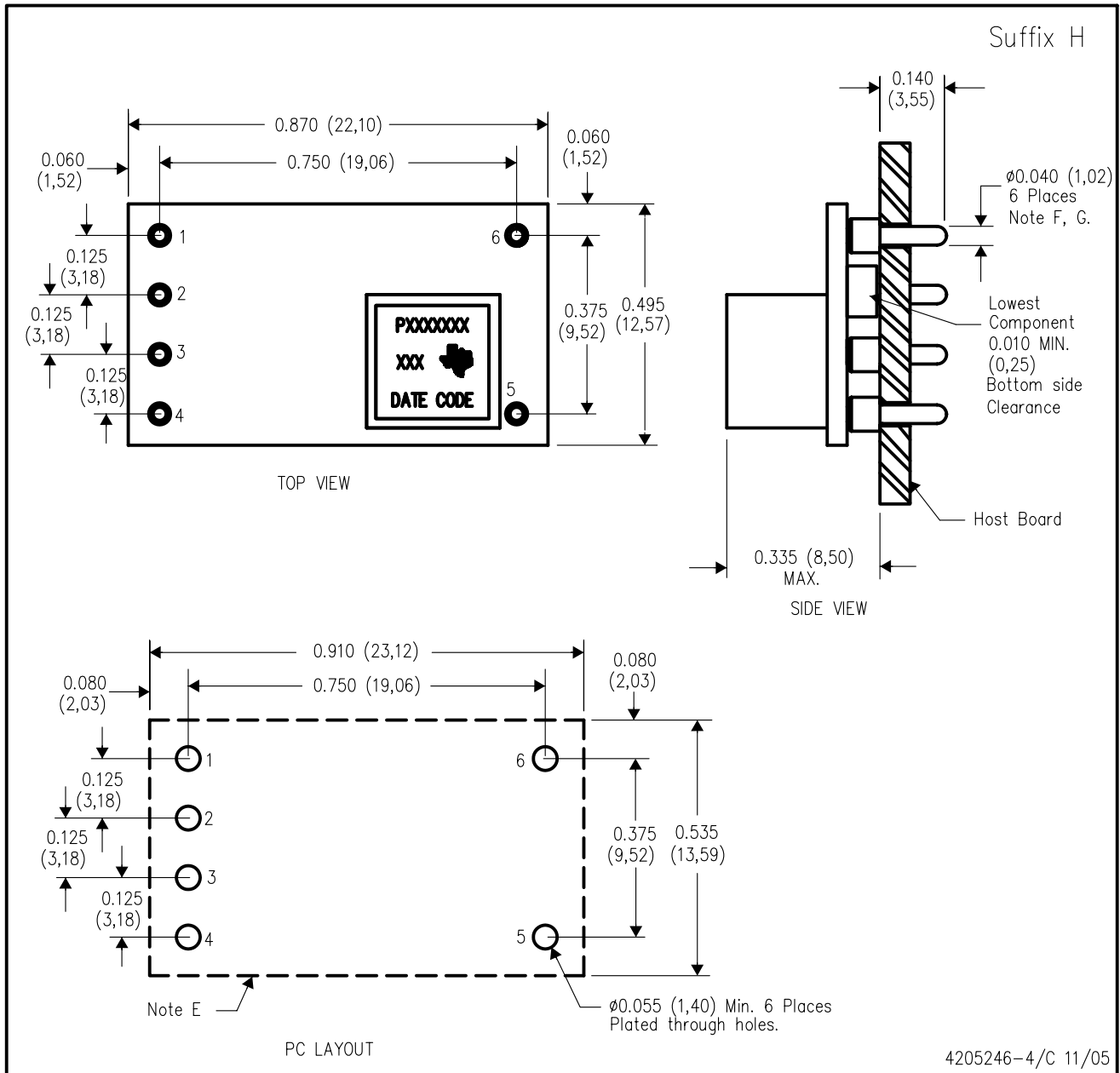
**Important Information and Disclaimer:** The information provided on this page represents TI's knowledge and belief as of the date that it is provided. TI bases its knowledge and belief on information provided by third parties, and makes no representation or warranty as to the accuracy of such information. Efforts are underway to better integrate information from third parties. TI has taken and continues to take reasonable steps to provide representative and accurate information but may not have conducted destructive testing or chemical analysis on incoming materials and chemicals. TI and TI suppliers consider certain information to be proprietary, and thus CAS numbers and other limited information may not be available for release.

In no event shall TI's liability arising out of such information exceed the total purchase price of the TI part(s) at issue in this document sold by TI to Customer on an annual basis.



**EUU (R-PDSS-T6)**

**DOUBLE SIDED MODULE**

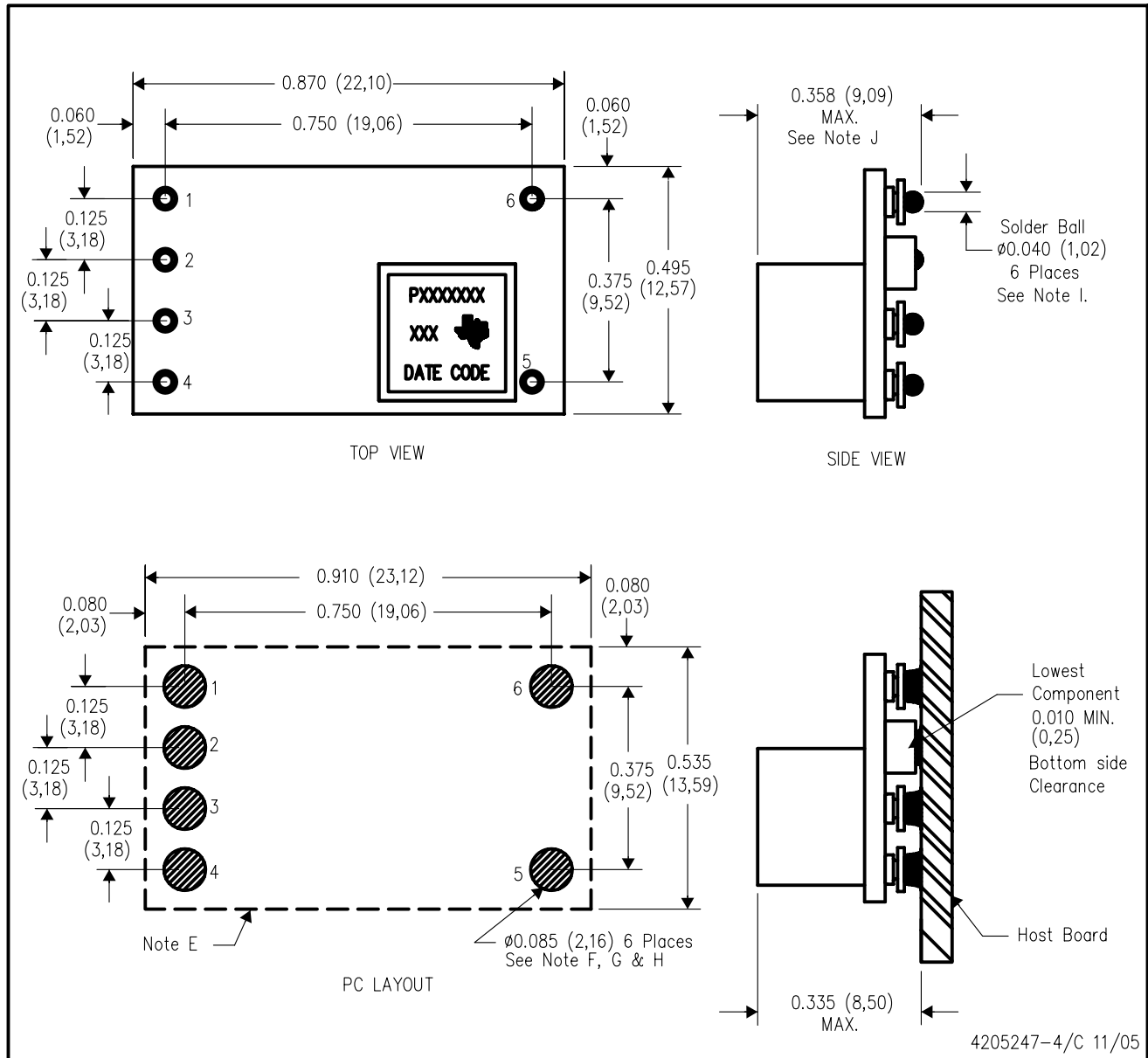


- NOTES:
- A. All linear dimensions are in inches (mm).
  - B. This drawing is subject to change without notice.
  - C. 2 place decimals are  $\pm 0.030$  ( $\pm 0,76$ mm).
  - D. 3 place decimals are  $\pm 0.010$  ( $\pm 0,25$ mm).
  - E. Recommended keep out area for user components.

- F. Pins are 0.040" (1,02) diameter with 0.070" (1,78) diameter standoff shoulder.
- G. All pins: Material - Copper Alloy  
Finish - Tin (100%) over Nickel plate

**EUV (R-PDSS-B6)**

**DOUBLE SIDED MODULE**



- NOTES:
- A. All linear dimensions are in inches (mm).
  - B. This drawing is subject to change without notice.
  - C. 2 place decimals are  $\pm 0.030$  ( $\pm 0,76$ mm).
  - D. 3 place decimals are  $\pm 0.010$  ( $\pm 0,25$ mm).
  - E. Recommended keep out area for user components.
  - F. Power pin connection should utilize two or more vias to the interior power plane of 0.025 (0,63) I.D. per input, ground and output pin (or the electrical equivalent).

- G. Paste screen opening: 0.080 (2,03) to 0.085 (2,16).  
Paste screen thickness: 0.006 (0,15).
- H. Pad type: Solder mask defined.
- I. All pins: Material – Copper Alloy  
Finish – Tin (100%) over Nickel plate  
Solder Ball – See product data sheet.
- J. Dimension prior to reflow solder.

## IMPORTANT NOTICE AND DISCLAIMER

TI PROVIDES TECHNICAL AND RELIABILITY DATA (INCLUDING DATASHEETS), DESIGN RESOURCES (INCLUDING REFERENCE DESIGNS), APPLICATION OR OTHER DESIGN ADVICE, WEB TOOLS, SAFETY INFORMATION, AND OTHER RESOURCES "AS IS" AND WITH ALL FAULTS, AND DISCLAIMS ALL WARRANTIES, EXPRESS AND IMPLIED, INCLUDING WITHOUT LIMITATION ANY IMPLIED WARRANTIES OF MERCHANTABILITY, FITNESS FOR A PARTICULAR PURPOSE OR NON-INFRINGEMENT OF THIRD PARTY INTELLECTUAL PROPERTY RIGHTS.

These resources are intended for skilled developers designing with TI products. You are solely responsible for (1) selecting the appropriate TI products for your application, (2) designing, validating and testing your application, and (3) ensuring your application meets applicable standards, and any other safety, security, regulatory or other requirements.

These resources are subject to change without notice. TI grants you permission to use these resources only for development of an application that uses the TI products described in the resource. Other reproduction and display of these resources is prohibited. No license is granted to any other TI intellectual property right or to any third party intellectual property right. TI disclaims responsibility for, and you fully indemnify TI and its representatives against any claims, damages, costs, losses, and liabilities arising out of your use of these resources.

TI's products are provided subject to [TI's Terms of Sale](#), [TI's General Quality Guidelines](#), or other applicable terms available either on [ti.com](http://ti.com) or provided in conjunction with such TI products. TI's provision of these resources does not expand or otherwise alter TI's applicable warranties or warranty disclaimers for TI products. Unless TI explicitly designates a product as custom or customer-specified, TI products are standard, catalog, general purpose devices.

TI objects to and rejects any additional or different terms you may propose.

Copyright © 2026, Texas Instruments Incorporated

Last updated 10/2025