

DACx3508 采用微型 3 × 3 WQFN 封装的八路、8 位、10 位和 12 位 SPI 缓冲电压输出 DAC

1 特性

- ± 1 LSB DNL
- 宽工作电压范围：
 - 电源：1.8V 至 5.5V
 - 温度范围：-40°C 至 +125°C
- 3 线制串行外设接口 (SPI)
 - $2.7V \leq V_{DD} \leq 5.5V$ 时， $V_{IH} = 2.4V$
 - $1.8V \leq V_{DD} \leq 2.7V$ 时， $V_{IH} = (V_{DD} - 0.3V)$
- 通过 \overline{LDAC} 引脚实现同步输出更新
- 功耗极低：0.1mA/通道 (1.8V)
- 低功耗启动模式：输出断电，并通过 10k Ω 连接至 A_{GND}
- 微型封装：3mm × 3mm，16 引脚 WQFN

2 应用

- 多功能打印机
- 电视显示面板
- OLED 电视
- 虚拟现实耳麦
- 点钞机
- 自动取款机 (ATM)

3 说明

8 位 DAC43508、10 位 DAC53508 和 12 位 DAC63508 (DACx3508) 是低功耗、八通道、电压输出数模转换器 (DAC)。DACx3508 设计为在 1.8V 至 5.5V 的宽电源范围内具有单调性。通过使用外部基准，DACx3508 在每通道消耗 0.1mA 静态电流的同时提供 1.8V 至 5.5V 的满量程输出电压范围。DACx3508 还包括基于每通道且用户可编程的断电寄存器。这些寄存器有助于 DAC 输出缓冲器以 10k Ω -AGND 断电状态启动，并保持该状态，直到向这些输出缓冲器发出加电命令。

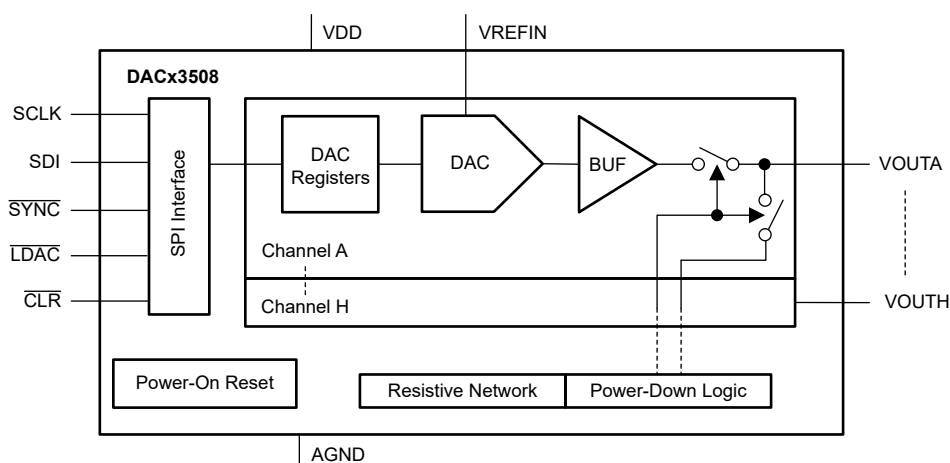
DACx3508 具有低静态电流、宽电源电压范围、八通道和每通道断电选项，因此非常适合高密度、低功耗的电池供电系统。

这些器件通过 3 线 (只写) 串行外设接口 (SPI) 进行通信。这些器件还具有负载 DAC (\overline{LDAC}) 和清零 (CLR) 输入。

器件信息

器件型号	分辨率	封装 ⁽¹⁾
DAC43508	8 位	RTE (WQFN, 16)
DAC53508	10 位	
DAC63508	12 位	

(1) 有关更多信息，请参阅节 11。



方框图



Table of Contents

1 特性	1	7.1 DEVICE_CONFIG Register (address = 01h) [reset = 00FFh].....	24
2 应用	1	7.2 STATUS_TRIGGER Register (address = 02h) [reset = 0000h].....	24
3 说明	1	7.3 BRDCAST Register (address = 03h) [reset = 0000h].....	25
4 Pin Configurations and Functions	3	7.4 DACn_DATA Register (address = 08h to 0Fh) [reset = 0000h].....	25
5 Specifications	4	8 Application and Implementation	26
5.1 Absolute Maximum Ratings.....	4	8.1 Application Information.....	26
5.2 ESD Ratings.....	4	8.2 Typical Applications.....	26
5.3 Recommended Operating Conditions.....	4	8.3 Power Supply Recommendations.....	30
5.4 Thermal Information.....	4	8.4 Layout.....	30
5.5 Electrical Characteristics.....	5	9 Device and Documentation Support	31
5.6 Timing Requirements: SPI.....	7	9.1 Documentation Support.....	31
5.7 Timing Requirements: Logic.....	7	9.2 接收文档更新通知.....	31
5.8 Timing Diagrams.....	8	9.3 支持资源.....	31
5.9 Typical Characteristics: Static Performance.....	9	9.4 Trademarks.....	31
5.10 Typical Characteristics: Dynamic Performance.....	15	9.5 静电放电警告.....	31
5.11 Typical Characteristics: General.....	17	9.6 术语表.....	31
6 Detailed Description	19	10 Revision History	31
6.1 Overview.....	19	11 Mechanical, Packaging, and Orderable Information	32
6.2 Functional Block Diagram.....	19		
6.3 Feature Description.....	20		
6.4 Device Functional Modes.....	22		
6.5 Programming.....	22		
7 Register Map	23		

4 Pin Configurations and Functions

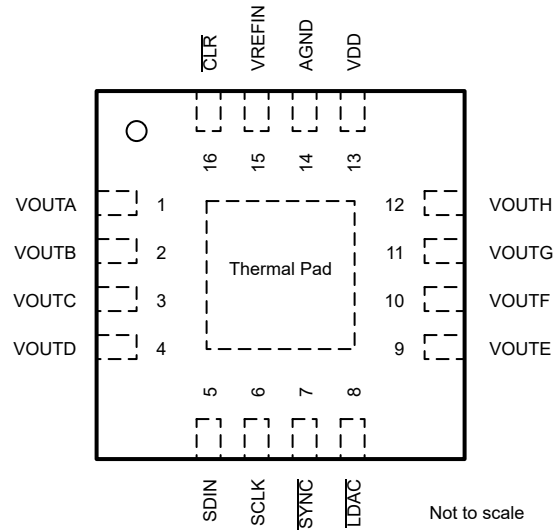


图 4-1. RTE Package, 16-Pin WQFN (Top View)

表 4-1. Pin Functions

PIN		TYPE	DESCRIPTION
NO.	NAME		
1	VOUTA	Output	Analog voltage output from DAC channel A.
2	VOUTB	Output	Analog voltage output from DAC channel B.
3	VOUTC	Output	Analog voltage output from DAC channel C.
4	VOUTD	Output	Analog voltage output from DAC channel D.
5	SDIN	Input	SPI data input.
6	SCLK	Input	SPI clock input.
7	$\overline{\text{SYNC}}$	Input	SPI chip select input (active low).
8	$\overline{\text{LDAC}}$	Input	Load DAC (active low) input for synchronous output update, simultaneous output update, or both.
9	VOUTE	Output	Analog voltage output from DAC channel E.
10	VOUTF	Output	Analog voltage output from DAC channel F.
11	VOUTG	Output	Analog voltage output from DAC channel G.
12	VOUTH	Output	Analog voltage output from DAC channel H.
13	VDD	Power	Power supply input (1.8 V to 5.5 V).
14	AGND	Ground	Ground reference for all circuitry on the device.
15	VREFIN	Power	External reference input. To use VDD as the reference, connect this pin to VDD.
16	$\overline{\text{CLR}}$	Input	Asynchronous output clear input (active low).
—	Thermal Pad	Ground	Connect thermal pad to AGND.

5 Specifications

5.1 Absolute Maximum Ratings

over operating free-air temperature range (unless otherwise noted)⁽¹⁾

		MIN	MAX	UNIT
V _{DD}	Power-supply voltage to A _{GND}	- 0.3	6	V
V _{REFIN}	External reference voltage to A _{GND}	- 0.3	V _{DD} + 0.3	V
	Digital inputs to A _{GND}	- 0.3	V _{DD} + 0.3	V
V _{OUT}	Voltage output to A _{GND}	- 0.3	V _{DD} + 0.3	V
	Current into any pin except the VOUTx, VDD, and AGND pins	- 10	10	mA
T _J	Junction temperature, T _J	- 40	150	°C
T _{stg}	Storage temperature, T _{stg}	- 65	150	°C

- (1) Operation outside the Absolute Maximum Ratings may cause permanent device damage. Absolute Maximum Ratings do not imply functional operation of the device at these or any other conditions beyond those listed under Recommended Operating Conditions. If used outside the Recommended Operating Conditions but within the Absolute Maximum Ratings, the device may not be fully functional, and this may affect device reliability, functionality, performance, and shorten the device lifetime.

5.2 ESD Ratings

			VALUE	UNIT
V _(ESD)	Electrostatic discharge	Human body model (HBM), per ANSI/ESDA/JEDEC JS-001, all pins ⁽¹⁾	±1000	V
		Charged device model (CDM), per ANSI/ESDA/JEDEC JS-002, all pins ⁽²⁾	±500	

- (1) JEDEC document JEP155 states that 500-V HBM allows safe manufacturing with a standard ESD control process.
 (2) JEDEC document JEP157 states that 250-V CDM allows safe manufacturing with a standard ESD control process.

5.3 Recommended Operating Conditions

over operating free-air temperature range (unless otherwise noted)

		MIN	NOM	MAX	UNIT
V _{DD} to A _{GND}	Positive supply voltage to ground	1.8		5.5	V
V _{REFIN} to A _{GND}	Reference input supply voltage to ground	1.8		V _{DD}	V
V _{IH}	Digital input high voltage	1.8 V ≤ V _{DD} ≤ 2.7 V	V _{DD} - 0.3		V
		2.7 V < V _{DD} ≤ 5.5 V	2.4		
V _{IL}	Digital input low voltage			0.5	V
T _A	Ambient temperature	- 40		125	°C

5.4 Thermal Information

THERMAL METRIC ⁽¹⁾		DACx3508		UNIT
		RTE (WQFN)		
		16 PIN		
R _{θJA}	Junction-to-ambient thermal resistance	49		°C/W
R _{θJC(top)}	Junction-to-case (top) thermal resistance	50		°C/W
R _{θJB}	Junction-to-board thermal resistance	24.1		°C/W
Ψ _{JT}	Junction-to-top characterization parameter	1.1		°C/W
Y _{JB}	Junction-to-board characterization parameter	24.1		°C/W
R _{θJC(bot)}	Junction-to-case (bottom) thermal resistance	8.7		°C/W

- (1) For more information about traditional and new thermal metrics, see the [Semiconductor and IC Package Thermal Metrics application report](#).

5.5 Electrical Characteristics

all minimum and maximum values at $T_A = -40^\circ\text{C}$ to $+125^\circ\text{C}$ and all typical values at $T_A = 25^\circ\text{C}$, $1.8\text{ V} \leq V_{DD} \leq 5.5\text{ V}$, $V_{REFIN} = 2.5\text{ V}$ for $V_{DD} \geq 2.7\text{ V}$, $V_{REFIN} = 1.8\text{ V}$ for $V_{DD} \leq 2.7\text{ V}$, $R_L = 5\text{ k}\Omega$ to A_{GND} , $C_L = 200\text{ pF}$ to A_{GND} , and digital inputs at V_{DD} or A_{GND} (unless otherwise noted)

PARAMETER		TEST CONDITIONS	MIN	TYP	MAX	UNIT
STATIC PERFORMANCE						
	Resolution	DAC63508	12			Bits
		DAC53508	10			
		DAC43508	8			
INL	Integral nonlinearity ⁽¹⁾	DAC53508, DAC43508	- 1		1	LSB
		DAC63508	- 4		4	
DNL	Differential nonlinearity ⁽¹⁾		- 1		1	LSB
	Zero-code error	Code 0d into DAC	6		12	mV
	Zero-code-error temperature coefficient	Code 0d into DAC	±5			$\mu\text{V}/^\circ\text{C}$
	Offset error ⁽¹⁾		- 0.5	0.25	0.5	%FSR
	Offset-error temperature coefficient ⁽¹⁾		±0.0003			%FSR/ $^\circ\text{C}$
	Gain error ⁽¹⁾		- 0.5	0.25	0.5	%FSR
	Gain-error temperature coefficient ⁽¹⁾		±0.0004			%FSR/ $^\circ\text{C}$
	Full-scale error ⁽⁴⁾	$2.7\text{ V} \leq V_{DD} \leq 5.5\text{ V}$	- 0.5	0.25	0.5	%FSR
		$1.8\text{ V} \leq V_{DD} \leq 2.7\text{ V}$	- 1	0.5	1	
	Full-scale-error temperature coefficient ⁽⁴⁾		±0.0004			%FSR/ $^\circ\text{C}$
OUTPUT						
V_{OUTX}	Output voltage		0		V_{DD}	V
C_L	Capacitive load ⁽²⁾	$R_L = \text{Infinite}$	1			nF
			2			
	Load regulation	DAC at midscale, $-10\text{ mA} \leq I_{OUT} \leq +10\text{ mA}$, $V_{DD} = 5.5\text{ V}$	0.1			mV/mA
	Short-circuit current ⁽³⁾	$V_{DD} = 1.8\text{ V}$	10		mA	
		$V_{DD} = 2.7\text{ V}$	25			
		$V_{DD} = 5.5\text{ V}$	50			
	Output voltage headroom	To V_{DD} , DAC output unloaded	0.05			V
	Output voltage headroom ⁽²⁾	To V_{DD} , load current = 10 mA at $V_{DD} = 5.5\text{ V}$, load current = 3 mA at $V_{DD} = 2.7\text{ V}$, load current = 1 mA at $V_{DD} = 1.8\text{ V}$, DAC code at full-scale	10			%FSR
Z_O	DC output impedance	DAC at midscale	0.25		Ω	
		DAC at code 32d	0.25			
		DAC at code 4064d	0.26			
DC PSRR	Power supply rejection ratio (dc)	DAC at midscale, $V_{DD} = 5\text{ V} \pm 10\%$	0.25			mV/V

5.5 Electrical Characteristics (续)

all minimum and maximum values at $T_A = -40^\circ\text{C}$ to $+125^\circ\text{C}$ and all typical values at $T_A = 25^\circ\text{C}$, $1.8\text{ V} \leq V_{DD} \leq 5.5\text{ V}$, $V_{REFIN} = 2.5\text{ V}$ for $V_{DD} \geq 2.7\text{ V}$, $V_{REFIN} = 1.8\text{ V}$ for $V_{DD} \leq 2.7\text{ V}$, $R_L = 5\text{ k}\Omega$ to A_{GND} , $C_L = 200\text{ pF}$ to A_{GND} , and digital inputs at V_{DD} or A_{GND} (unless otherwise noted)

PARAMETER		TEST CONDITIONS	MIN	TYP	MAX	UNIT
DYNAMIC PERFORMANCE						
t_{sett}	Output voltage settling time	1/4 to 3/4 scale and 3/4 to 1/4 scale settling to 10%FSR, $V_{DD} = 5.5\text{ V}$		10		μs
SR	Slew rate	$V_{DD} = 5.5\text{ V}$		0.6		$\text{V}/\mu\text{s}$
	Power-on glitch magnitude			110		mV
V_n	Output noise	$f = 0.1\text{ Hz}$ to 10 Hz , DAC at midscale, $V_{DD} = 5.5\text{ V}$		40		μV_{pp}
V_n	Output noise	$f = 0.1\text{ Hz}$ to 100 kHz , DAC at midscale, $V_{DD} = 5.5\text{ V}$		0.05		mV_{rms}
V_n	Output noise density	$f = 1\text{ kHz}$, DAC at midscale, $V_{DD} = 5.5\text{ V}$		0.2		$\mu\text{V}/\sqrt{\text{Hz}}$
		$f = 10\text{ kHz}$, DAC at midscale, $V_{DD} = 5.5\text{ V}$		0.2		
AC PSRR	Power-supply rejection ratio (ac)	200-mV, 50-Hz or 60-Hz sine wave superimposed on power-supply voltage, DAC at midscale		-71		dB
	Channel-to-channel ac crosstalk	Full-scale swing on adjacent channel		1.5		nV-s
	Channel-to-channel dc crosstalk	Full-scale swing on all channels, measured channel at zero-scale or full-scale		0.2		LSB
	Code change glitch impulse	± 1 -LSB change around midscale (including feedthrough)		10		nV-s
	Code change glitch impulse magnitude	± 1 -LSB change around midscale (including feedthrough)		25		mV
VOLTAGE REFERENCE INPUT						
	Reference input impedance	All channels powered on		24		$\text{k}\Omega$
	Reference input capacitance			50		pF
DIGITAL INPUTS						
	Digital feedthrough	SCLK = 1 MHz, DAC output static at midscale		20		nV-s
	Pin capacitance	Per pin		10		pF
POWER						
I_{DD}	Current flowing into V_{DD}	Normal mode, all DACs at full-scale, digital interface static		3	5	mA
		All DAC channels powered down		50		μA

- (1) End point fit between codes: code 32d to 4064d for 12 bit, code 8d to code 1016d for 10 bit, code 2d to code 252d for 8 bit.
- (2) Characterized by design. Not production tested.
- (3) Full-scale output shorted per channel to A_{GND} or zero-scale output shorted to V_{DD} .
- (4) Code 4095d into DAC, no headroom.

5.6 Timing Requirements: SPI

all inputs signals are specified with $t_R = t_F = 1 \text{ V/ns}$ (10% to 90% of V_{DD}) and timed from a voltage level of $V_{DD}/2$, $1.8 \text{ V} \leq V_{DD} \leq 5.5 \text{ V}$ and $-40^\circ\text{C} \leq T_A \leq +125^\circ\text{C}$

		MIN	NOM	MAX	UNIT
$f_{(\text{SCLK})}$	Serial clock frequency, $1.7 \text{ V} \leq V_{DD} < 2.7 \text{ V}$			25	MHz
	Serial clock frequency, $2.7 \text{ V} \leq V_{DD} \leq 5.5 \text{ V}$			50	
t_{SCLKHIGH}	SCLK high time, $1.7 \text{ V} \leq V_{DD} < 2.7 \text{ V}$	20			ns
	SCLK high time, $2.7 \text{ V} \leq V_{DD} \leq 5.5 \text{ V}$	10			
t_{SCLKLOW}	SCLK low time, $1.7 \text{ V} \leq V_{DD} < 2.7 \text{ V}$	20			ns
	SCLK low time, $2.7 \text{ V} \leq V_{DD} \leq 5.5 \text{ V}$	10			
t_{SDIS}	SDI setup time, $1.7 \text{ V} \leq V_{DD} < 2.7 \text{ V}$	16			ns
	SDI setup time, $2.7 \text{ V} \leq V_{DD} \leq 5.5 \text{ V}$	8			
t_{SDIH}	SDI hold time, $1.7 \text{ V} \leq V_{DD} < 2.7 \text{ V}$	10			ns
	SDI hold time, $2.7 \text{ V} \leq V_{DD} \leq 5.5 \text{ V}$	5			
t_{CSS}	$\overline{\text{SYNC}}$ to SCLK falling edge setup time, $1.7 \text{ V} \leq V_{DD} < 2.7 \text{ V}$	36			ns
	$\overline{\text{SYNC}}$ to SCLK falling edge setup time, $2.7 \text{ V} \leq V_{DD} \leq 5.5 \text{ V}$	18			
t_{CSH}	SCLK falling edge to $\overline{\text{SYNC}}$ rising edge, $1.7 \text{ V} \leq V_{DD} < 2.7 \text{ V}$	10			ns
	SCLK falling edge to $\overline{\text{SYNC}}$ rising edge, $2.7 \text{ V} \leq V_{DD} \leq 5.5 \text{ V}$	5			
t_{CSHIGH}	$\overline{\text{SYNC}}$ high time, $1.7 \text{ V} \leq V_{DD} < 2.7 \text{ V}$	50			ns
	$\overline{\text{SYNC}}$ high time, $2.7 \text{ V} \leq V_{DD} \leq 5.5 \text{ V}$	25			

5.7 Timing Requirements: Logic

all input signals are timed from VIL to 70% of V_{DD} , $1.8 \text{ V} \leq V_{DD} \leq 5.5 \text{ V}$, $1.8 \text{ V} \leq V_{\text{REFIN}} \leq V_{DD}$, $-40^\circ\text{C} \leq T_A \leq +125^\circ\text{C}$, $V_{\text{pullup}} = V_{DD}$ for $1.8 \text{ V} \leq V_{DD} \leq 2.7 \text{ V}$, $V_{\text{pullup}} = 2.7 \text{ V}$ or V_{DD} for $2.7 \text{ V} \leq V_{DD} \leq 5.5 \text{ V}$

		MIN	NOM	MAX	UNIT
t_{CS2LDAC}	$\overline{\text{SYNC}}$ rising edge to $\overline{\text{LDAC}}$ falling edge, $1.7 \text{ V} \leq V_{DD} < 2.7 \text{ V}$	100			ns
	$\overline{\text{SYNC}}$ rising edge to $\overline{\text{LDAC}}$ falling edge, $2.7 \text{ V} \leq V_{DD} \leq 5.5 \text{ V}$	50			
t_{LDACW}	$\overline{\text{LDAC}}$ low time, $1.7 \text{ V} \leq V_{DD} < 2.7 \text{ V}$	60			ns
	$\overline{\text{LDAC}}$ low time, $2.7 \text{ V} \leq V_{DD} \leq 5.5 \text{ V}$	30			
t_{CLRW}	$\overline{\text{CLR}}$ low time, $1.7 \text{ V} \leq V_{DD} < 2.7 \text{ V}$	60			ns
	$\overline{\text{CLR}}$ low time, $2.7 \text{ V} \leq V_{DD} \leq 5.5 \text{ V}$	30			

5.8 Timing Diagrams

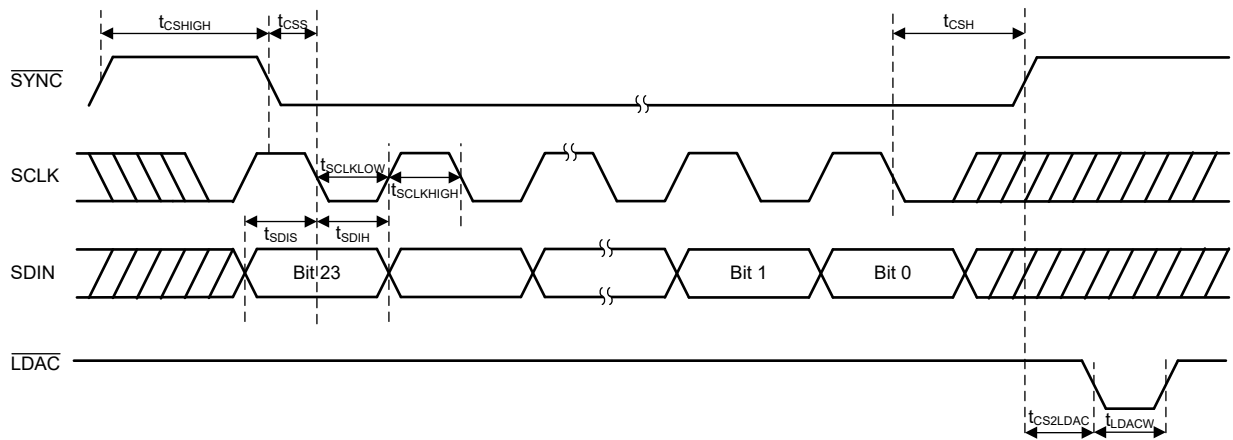


图 5-1. Serial Interface Timing Diagram

5.9 Typical Characteristics: Static Performance

at $T_A = 25^\circ\text{C}$, reference = 1.8 V, 12-bit resolution, and DAC outputs unloaded (unless otherwise noted)

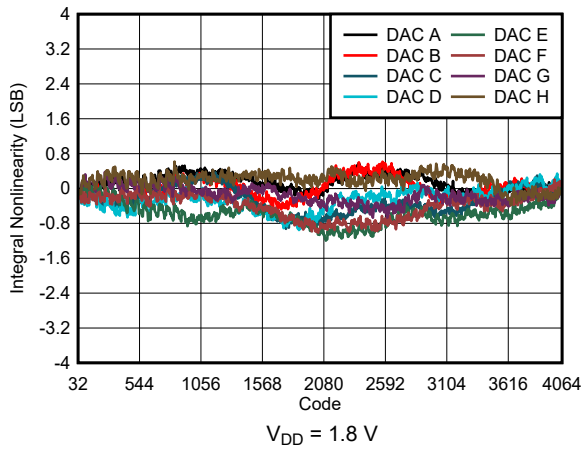


图 5-2. Integral Nonlinearity vs Digital Input Code

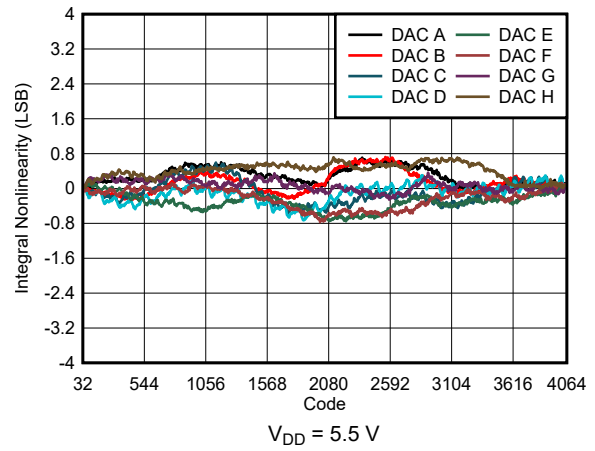


图 5-3. Integral Nonlinearity vs Digital Input Code

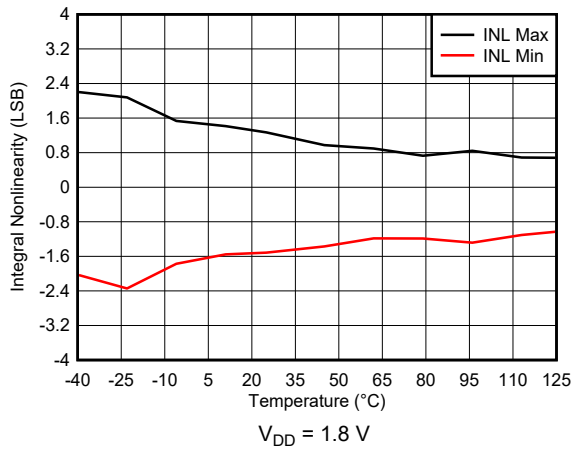


图 5-4. Integral Nonlinearity vs Temperature

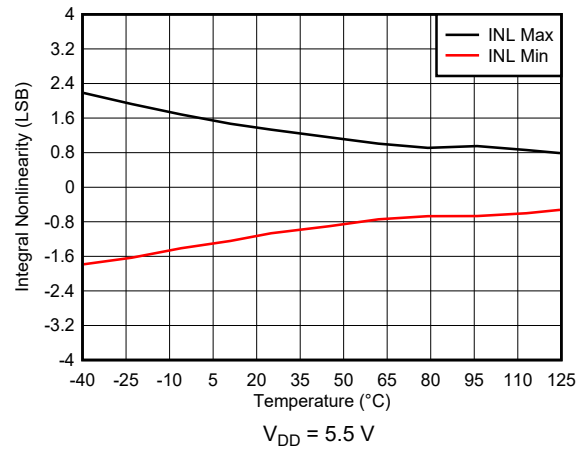


图 5-5. Integral Nonlinearity vs Temperature

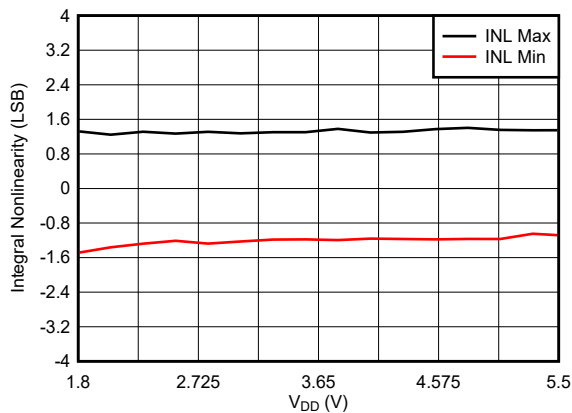


图 5-6. Integral Nonlinearity vs Supply Voltage

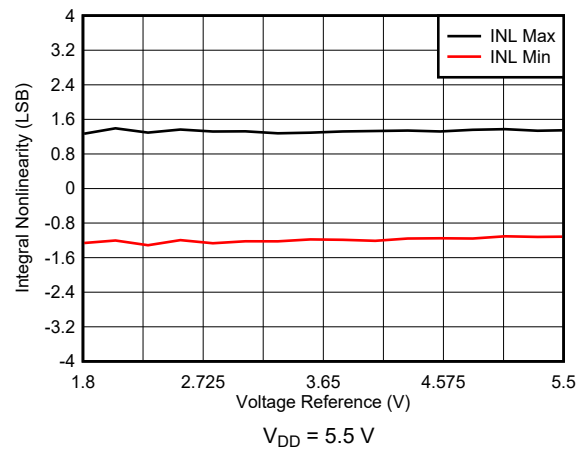


图 5-7. Integral Nonlinearity vs Voltage Reference

5.9 Typical Characteristics: Static Performance (continued)

at $T_A = 25^\circ\text{C}$, reference = 1.8 V, 12-bit resolution, and DAC outputs unloaded (unless otherwise noted)

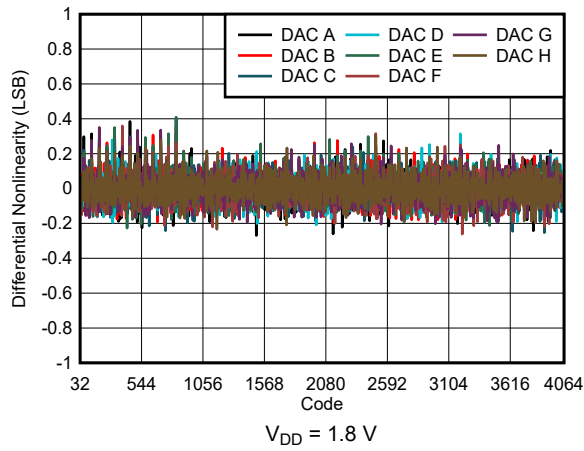


图 5-8. Differential Nonlinearity vs Digital Input Code

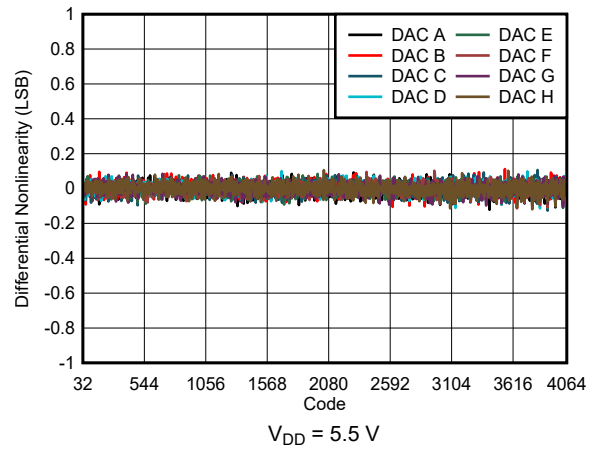


图 5-9. Differential Nonlinearity vs Digital Input Code

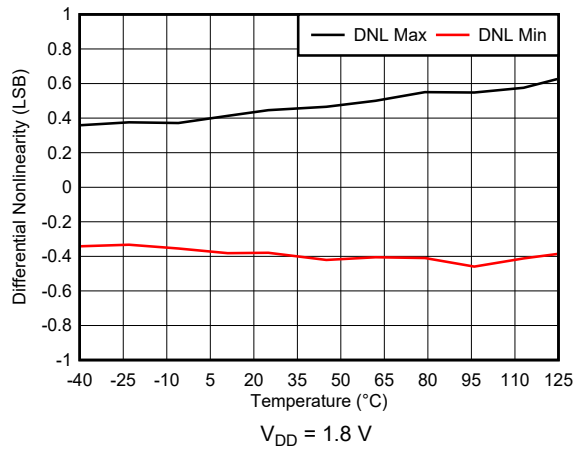


图 5-10. Differential Nonlinearity vs Temperature

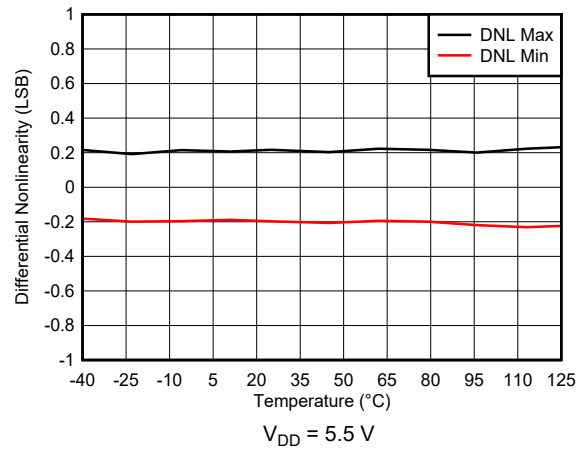


图 5-11. Differential Nonlinearity vs Temperature

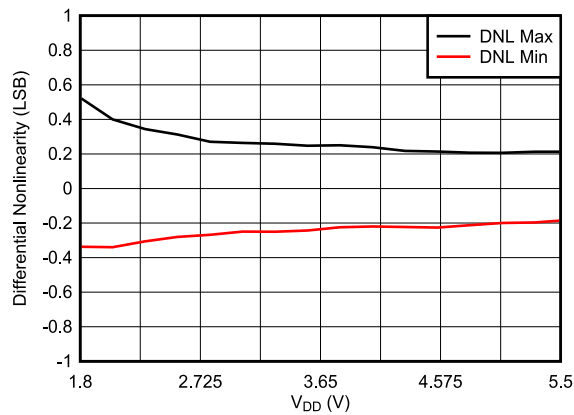


图 5-12. Differential Nonlinearity vs Supply Voltage

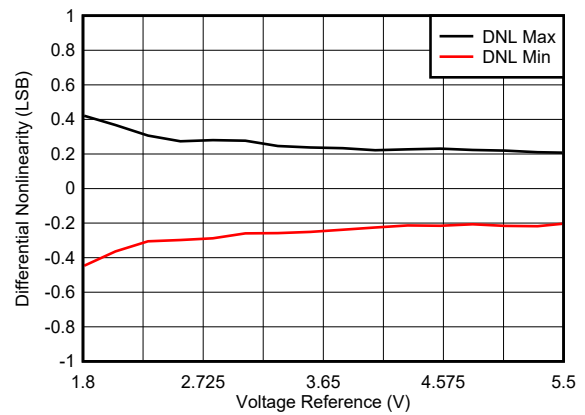


图 5-13. Differential Nonlinearity vs Voltage Reference

5.9 Typical Characteristics: Static Performance (continued)

at $T_A = 25^\circ\text{C}$, reference = 1.8 V, 12-bit resolution, and DAC outputs unloaded (unless otherwise noted)

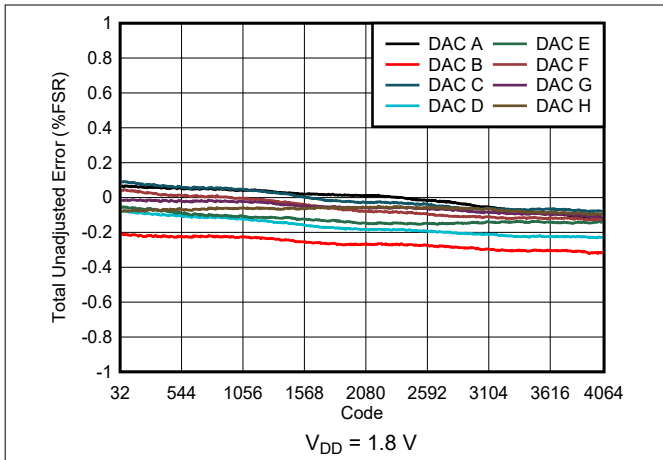


图 5-14. Total Unadjusted Error vs Digital Input Code

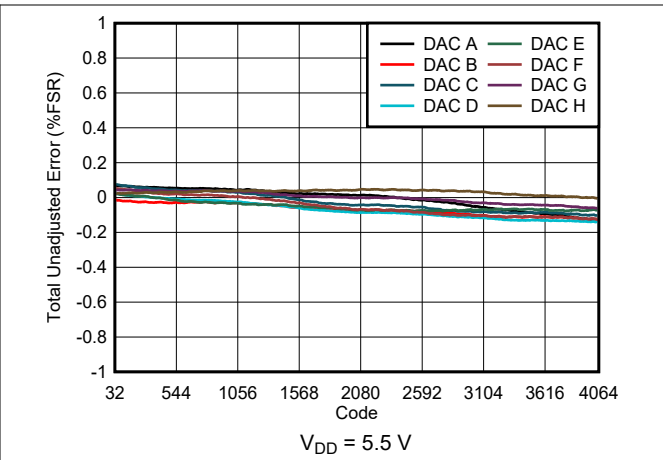


图 5-15. Total Unadjusted Error vs Digital Input Code

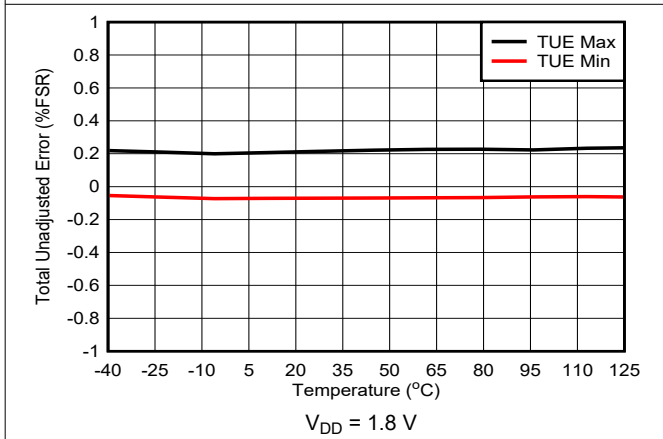


图 5-16. Total Unadjusted Error vs Temperature

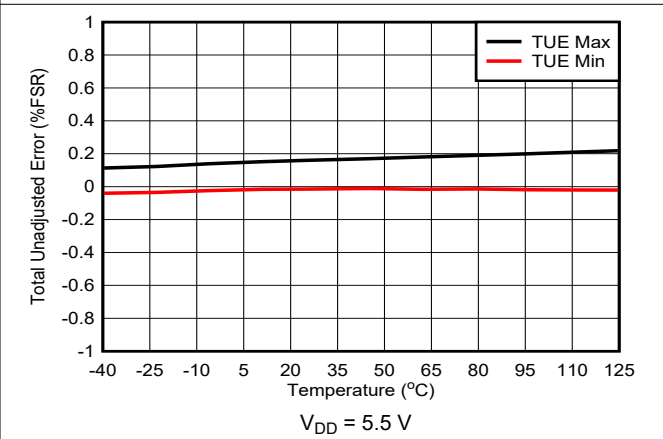


图 5-17. Total Unadjusted Error vs Temperature

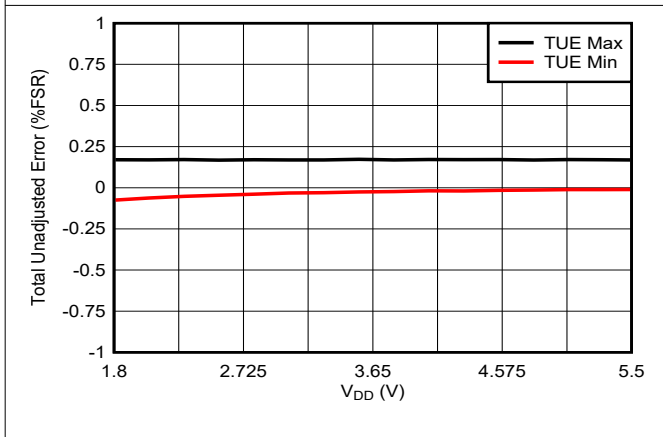


图 5-18. Total Unadjusted Error vs Supply Voltage

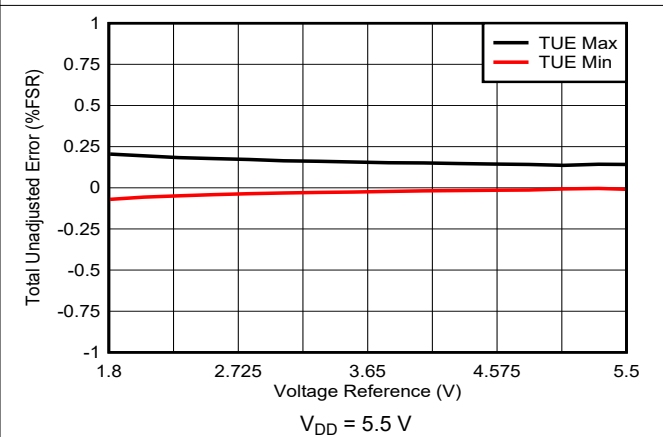


图 5-19. Total Unadjusted Error vs Voltage Reference

5.9 Typical Characteristics: Static Performance (continued)

at $T_A = 25^\circ\text{C}$, reference = 1.8 V, 12-bit resolution, and DAC outputs unloaded (unless otherwise noted)

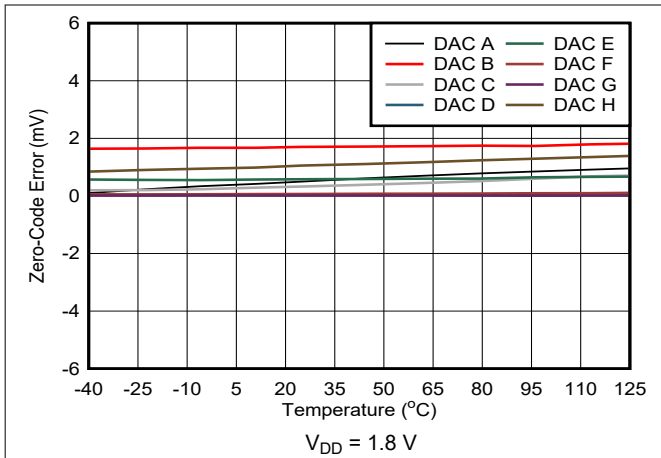


图 5-20. Zero-Code Error vs Temperature

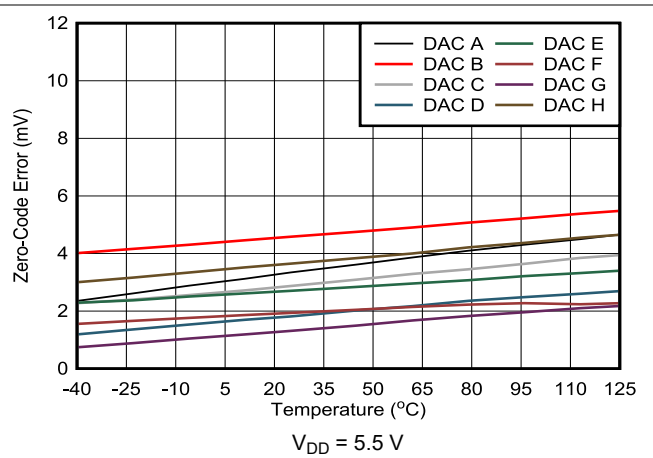


图 5-21. Zero-Code Error vs Temperature

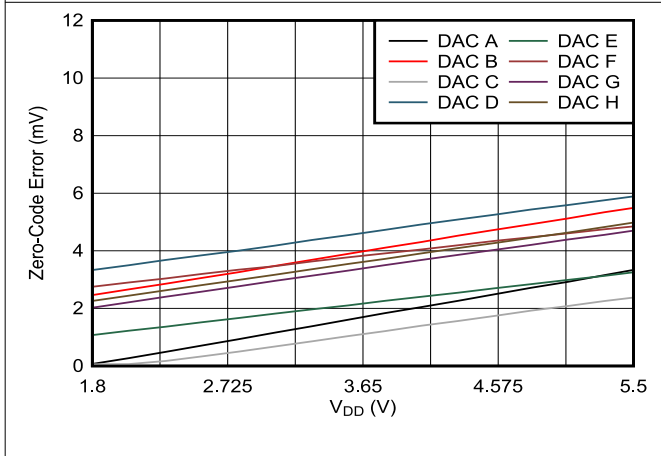


图 5-22. Zero-Code Error vs Supply Voltage

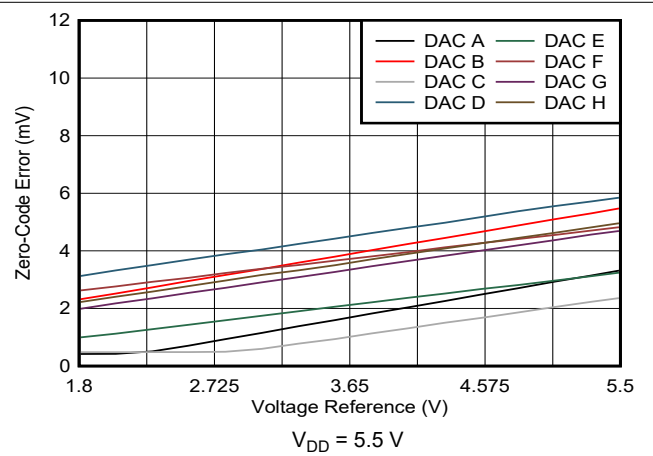


图 5-23. Zero-Code Error vs Voltage Reference

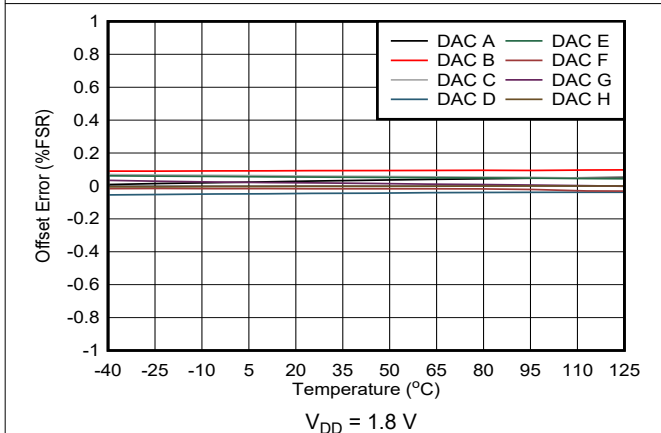


图 5-24. Offset Error vs Temperature

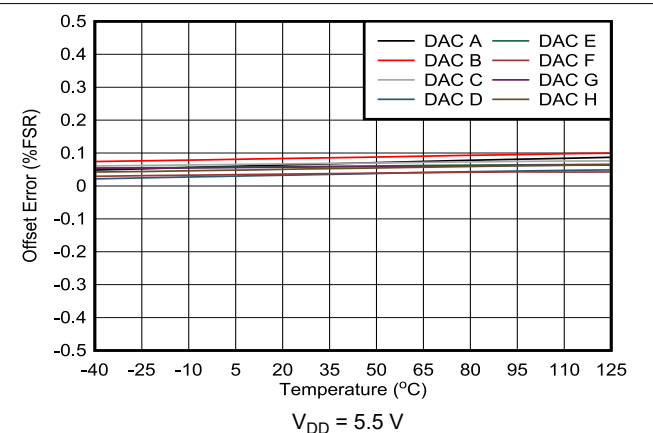


图 5-25. Offset Error vs Temperature

5.9 Typical Characteristics: Static Performance (continued)

at $T_A = 25^\circ\text{C}$, reference = 1.8 V, 12-bit resolution, and DAC outputs unloaded (unless otherwise noted)

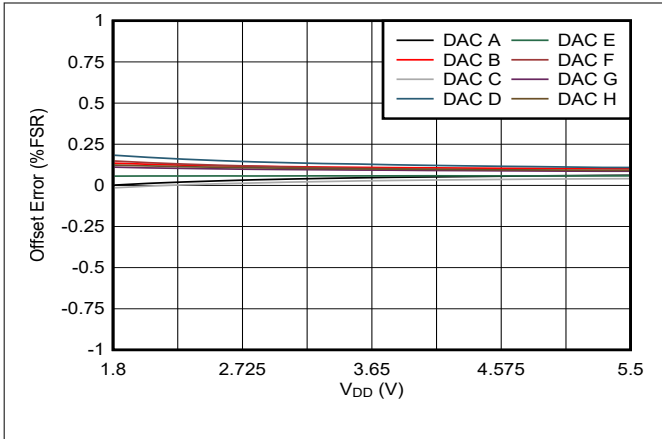


图 5-26. Offset Error vs Supply Voltage

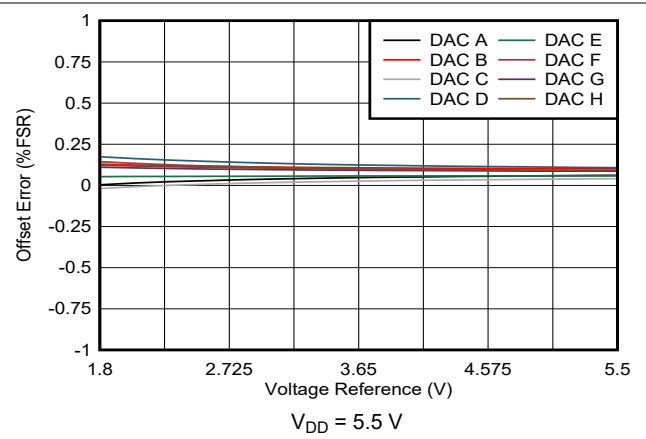


图 5-27. Offset Error vs Voltage Reference

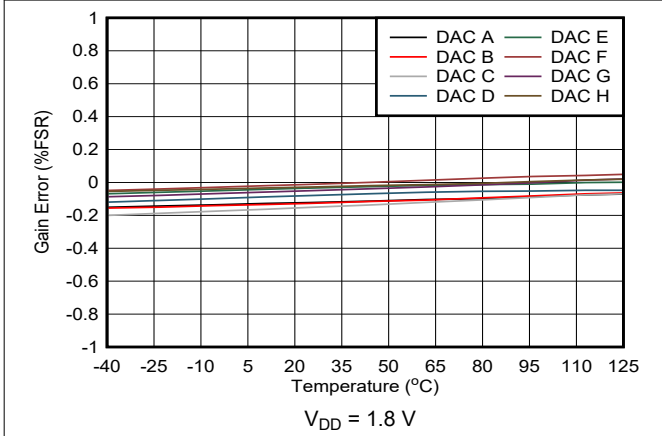


图 5-28. Gain Error vs Temperature

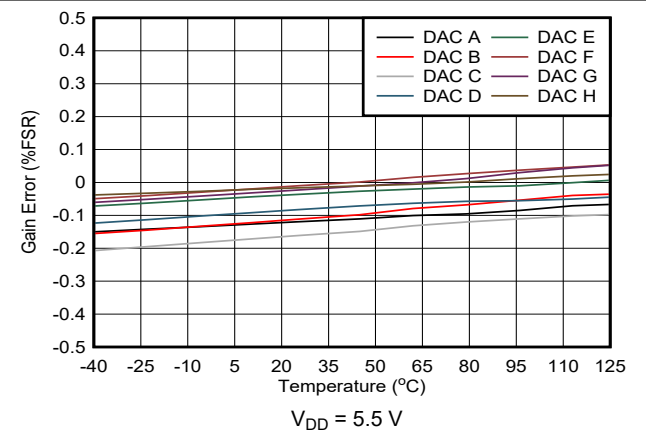


图 5-29. Gain Error vs Temperature

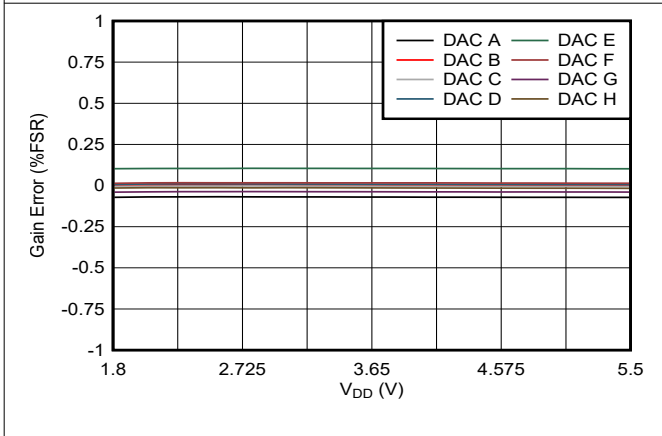


图 5-30. Gain Error vs Supply Voltage

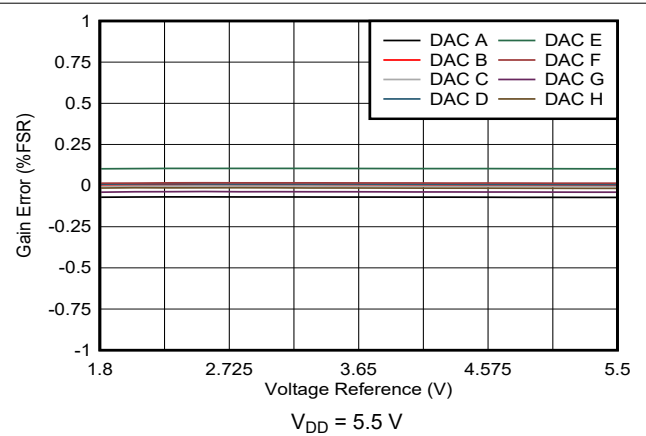
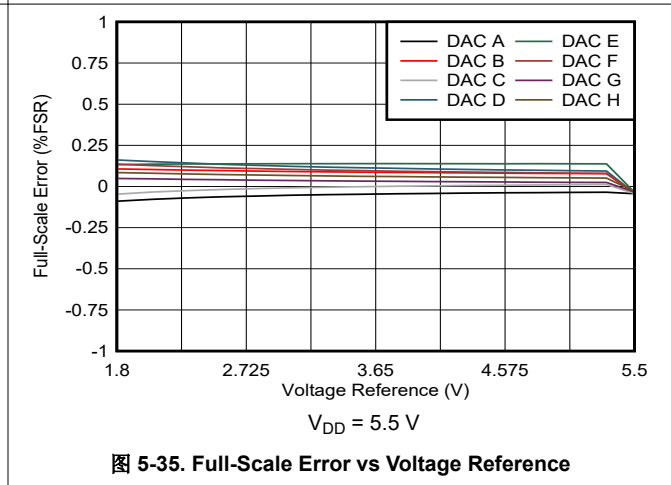
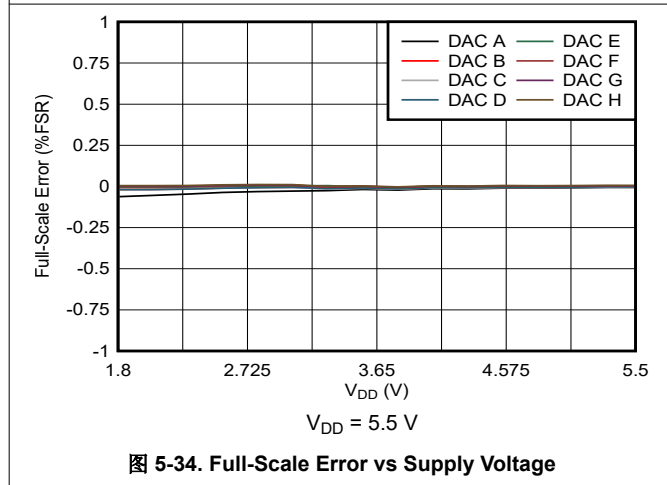
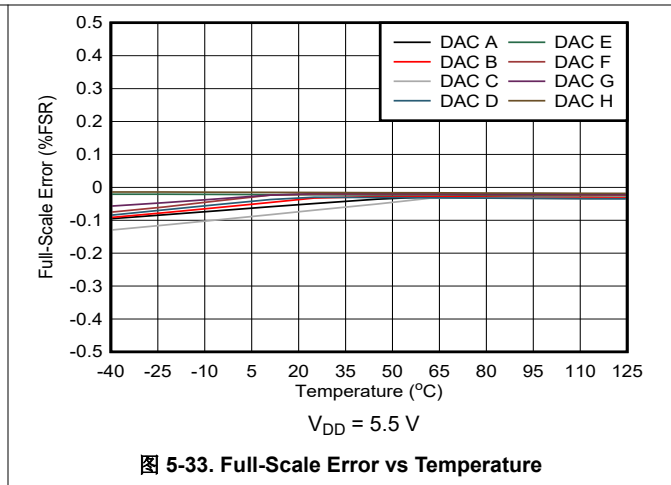
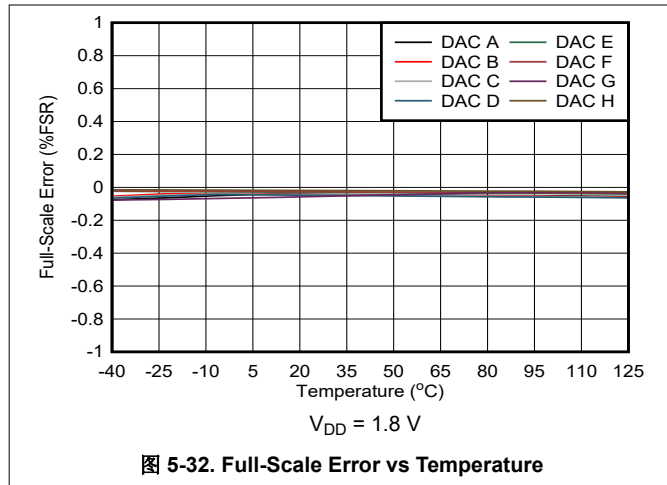


图 5-31. Gain Error vs Voltage Reference

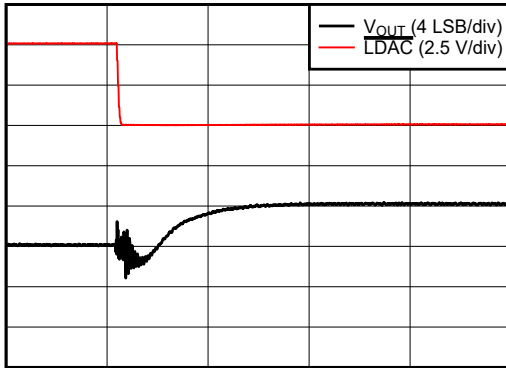
5.9 Typical Characteristics: Static Performance (continued)

at $T_A = 25^\circ\text{C}$, reference = 1.8 V, 12-bit resolution, and DAC outputs unloaded (unless otherwise noted)



5.10 Typical Characteristics: Dynamic Performance

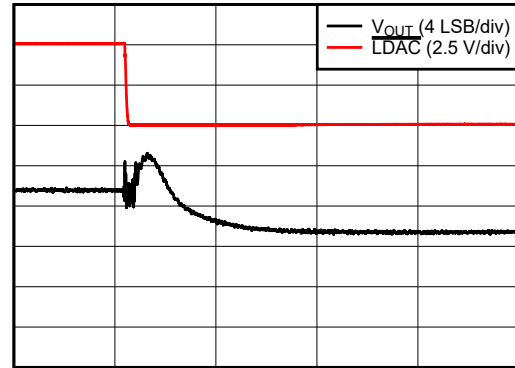
at $T_A = 25^\circ\text{C}$, $V_{DD} = 5.5\text{ V}$, reference = 5.5 V, 12-bit resolution, and DAC outputs unloaded (unless otherwise noted)



Time (1 $\mu\text{s}/\text{div}$)

DAC code transition from midscale - 4 LSB to midscale, output load: 5 k Ω || 200 pF

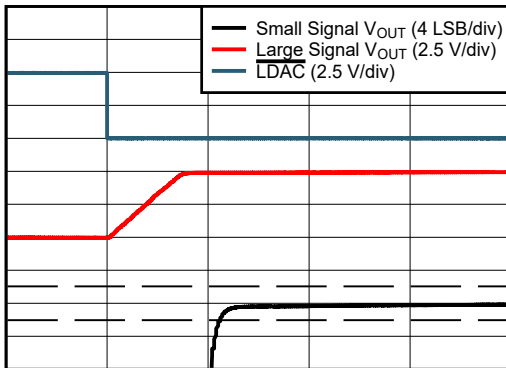
图 5-36. Glitch Impulse, Rising Edge, 4-LSB Step



Time (1 $\mu\text{s}/\text{div}$)

DAC code transition from midscale to midscale - 4 LSB, output load: 5 k Ω || 200 pF

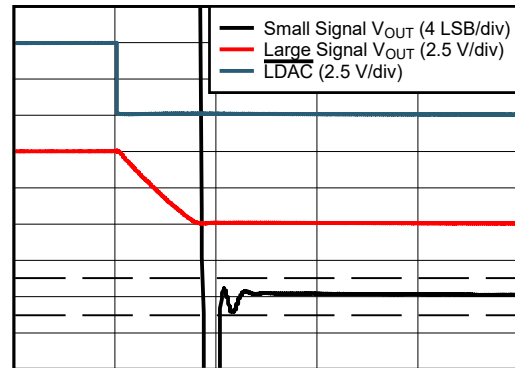
图 5-37. Glitch Impulse, Falling Edge, 4-LSB Step



Time (5 $\mu\text{s}/\text{div}$)

DAC code transition from 408d to 3688d, typical channel shown, output load: 5 k Ω || 200 pF

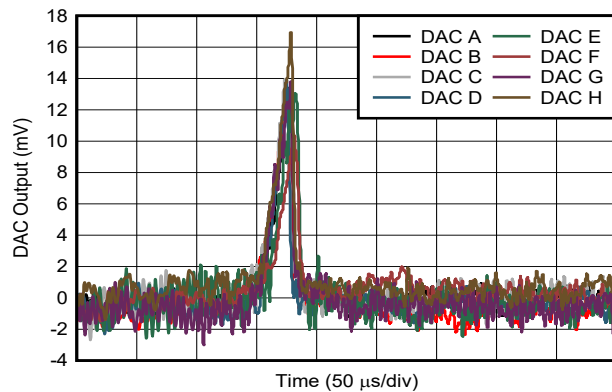
图 5-38. Full-Scale Settling Time, Rising Edge



Time (5 $\mu\text{s}/\text{div}$)

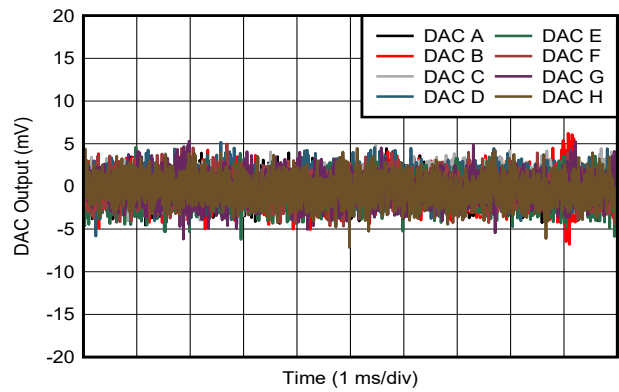
DAC code transition from 3688d to 408d, typical channel shown, output load: 5 k Ω || 200 pF

图 5-39. Full-Scale Settling Time, Falling Edge



Output load: 5 k Ω || 200 pF

图 5-40. Power-On Glitch

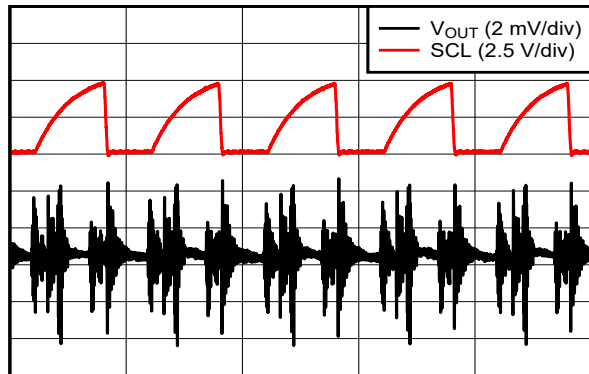


Output load: 5 k Ω || 200 pF

图 5-41. Power-Off Glitch

5.10 Typical Characteristics: Dynamic Performance (continued)

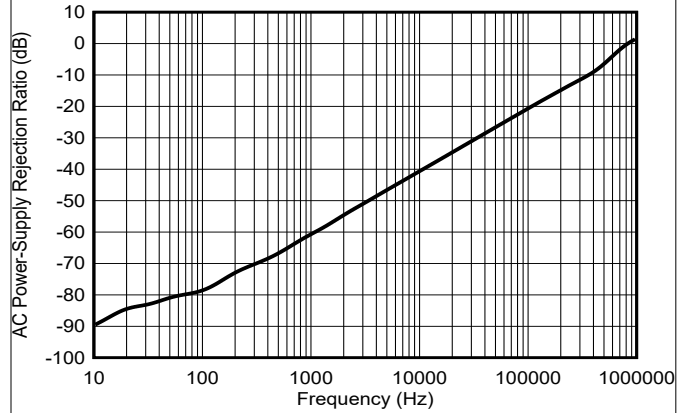
at $T_A = 25^\circ\text{C}$, $V_{DD} = 5.5\text{ V}$, reference = 5.5 V, 12-bit resolution, and DAC outputs unloaded (unless otherwise noted)



Time (1 $\mu\text{s}/\text{div}$)

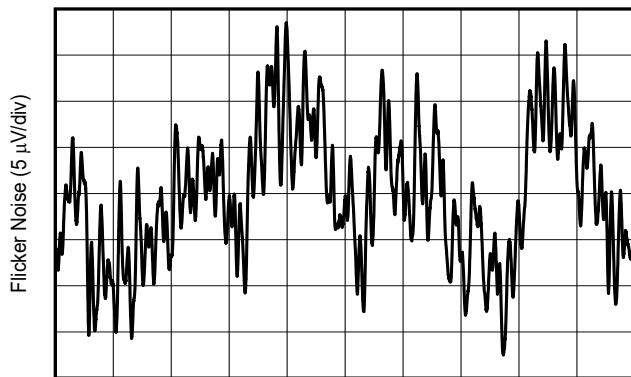
DAC at midscale, reference tied to V_{DD} ,
output load: 5 k Ω || 200 pF, SCLK = 1 MHz

图 5-42. Clock Feedthrough



DAC at full-scale, output load: 5 k Ω || 200 pF,
 $V_{DD} = 5.25\text{ V} + 0.2\text{ V}_{PP}$, $V_{REFIN} = 4.5\text{ V}$

图 5-43. AC Power-Supply Rejection Ratio vs Frequency



Time (1 s/div)

DAC at midscale, $f = 0.1\text{ Hz}$ to 10 Hz

图 5-44. Flicker Noise

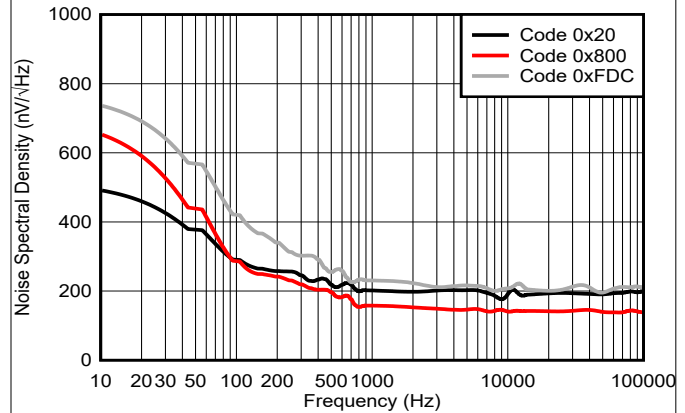


图 5-45. Noise Spectral Density

5.11 Typical Characteristics: General

at $T_A = 25^\circ\text{C}$, 12-bit resolution, and DAC outputs unloaded (unless otherwise noted)

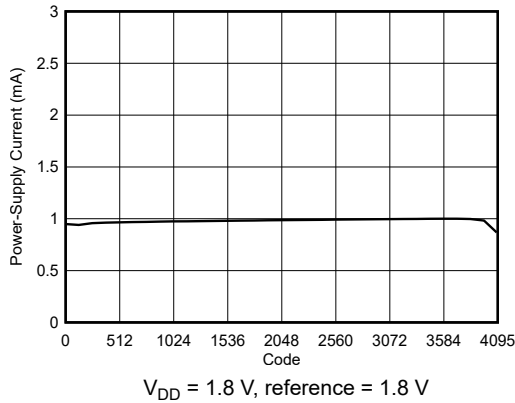


图 5-46. Power-Supply Current vs Digital Input Code

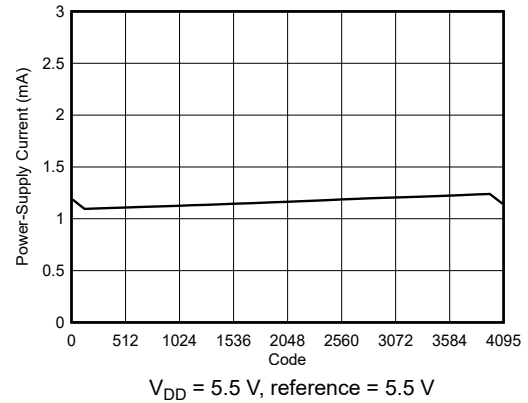


图 5-47. Power-Supply Current vs Digital Input Code

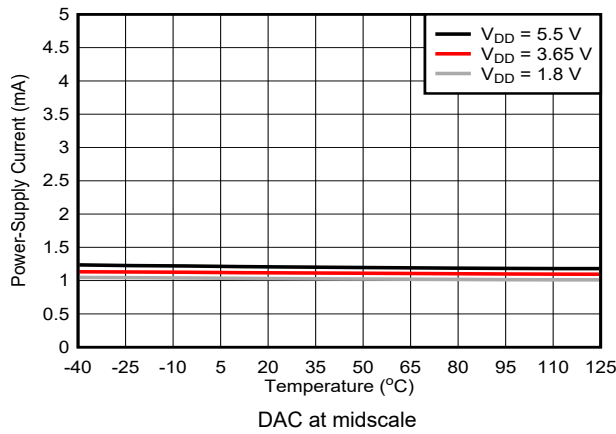


图 5-48. Power-Supply Current vs Temperature

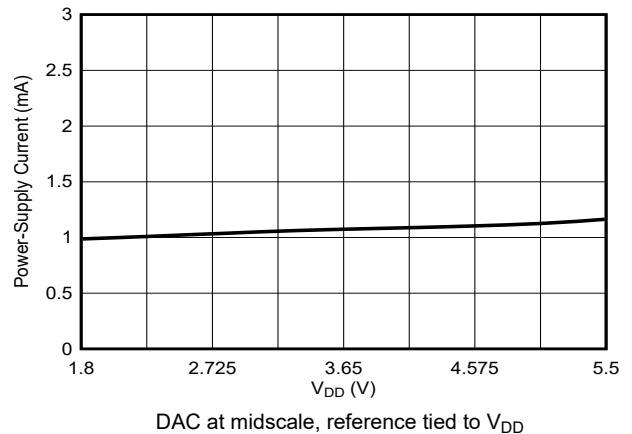


图 5-49. Power-Supply Current vs Supply Voltage

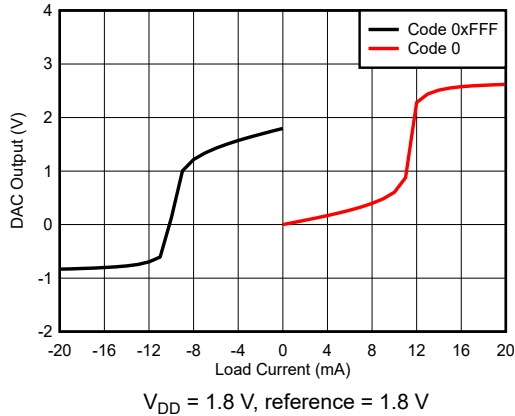


图 5-50. Output Source and Sink Capability

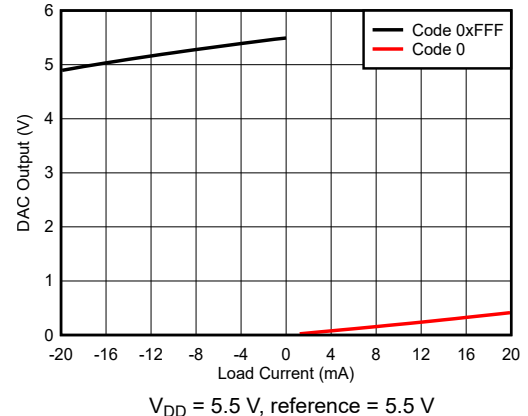


图 5-51. Output Source and Sink Capability

5.11 Typical Characteristics: General (continued)

at $T_A = 25^\circ\text{C}$, 12-bit resolution, and DAC outputs unloaded (unless otherwise noted)

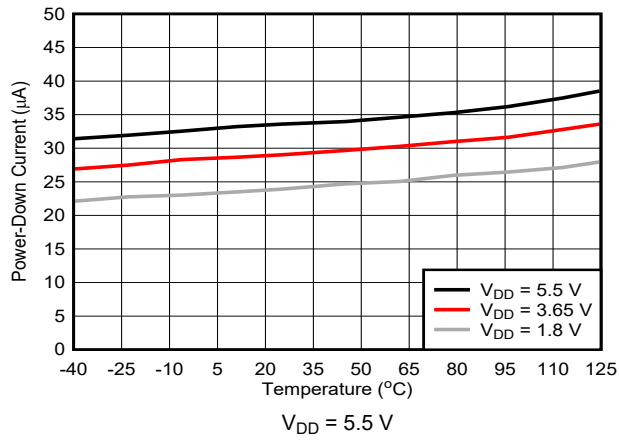


图 5-52. Power-Down Current vs Temperature

6 Detailed Description

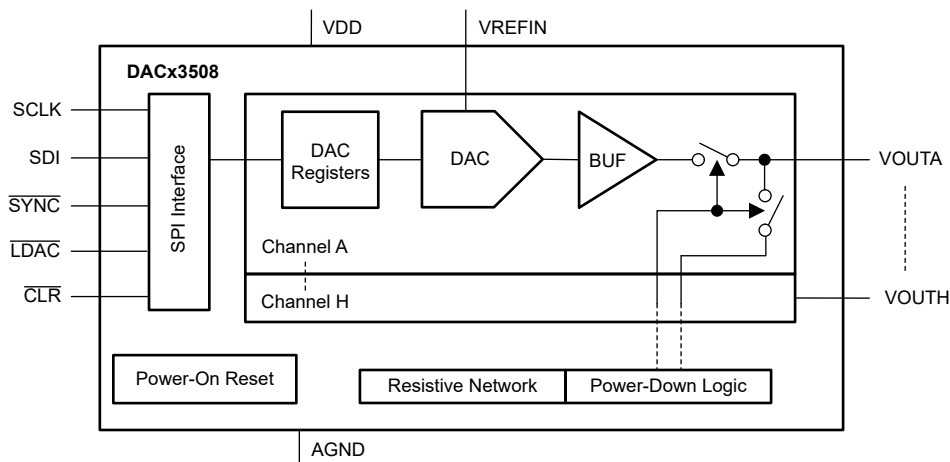
6.1 Overview

The 8-bit DAC43508, 10-bit DAC53508, and 12-bit DAC63508 (DACx3508) are a pin-compatible family of eight-channel, buffered voltage-output digital-to-analog converters (DACs). With an external reference ranging from 1.8 V to 5.5 V, a full-scale output voltage of 1.8 V to 5.5 V is achievable. These devices are specified monotonic across the power-supply range.

Communication to the devices is established through a three-wire SPI-compatible interface. These devices do not support readback operation. These devices include a load DAC ($\overline{\text{LDAC}}$) pin for simultaneous DAC updates and a clear ($\overline{\text{CLR}}$) pin for setting the outputs to zero scale.

The DACx3508 devices are characterized for operation over the temperature range of -40°C to $+125^{\circ}\text{C}$ and are available in tiny QFN packages.

6.2 Functional Block Diagram



6.3 Feature Description

6.3.1 Digital-to-Analog Converter (DAC) Architecture

Each output channel in the DACx3508 family of devices consists of string architecture with an output buffer amplifier. 图 6-1 shows a block diagram of the DAC architecture.

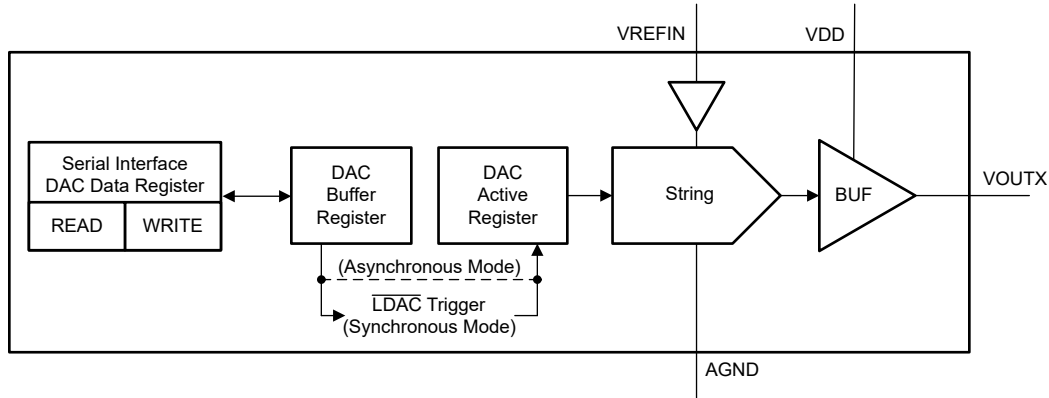


图 6-1. DACx3508 DAC Architecture

6.3.1.1 DAC Transfer Function

The device writes the input data to the individual DAC Data registers in straight binary format. After a power-on or a reset event, the device sets all DAC registers to zero-code. 方程式 1 shows DAC transfer function.

$$V_{OUTX} = \frac{DACn_DATA}{2^N} \times V_{REFIN} \quad (1)$$

where:

- N = resolution in bits: 8 (DAC43508), 10 (DAC53508), or 12 (DAC63508)
- DACn_DATA is the decimal equivalent of the binary code that is loaded to the DAC register
- DACn_DATA ranges from 0 to $2^N - 1$
- V_{REFIN} is the DAC reference voltage

6.3.1.2 DAC Register Update and \overline{LDAC} Functionality

The device stores the data written to the DAC data registers in the DAC buffer registers. Transfer of data from the DAC buffer registers to the DAC active registers can be set to happen immediately (asynchronous mode) or initiated by an \overline{LDAC} trigger (synchronous mode). After the DAC active registers are updated, the DAC outputs change to the new values.

The update mode for each DAC channel is determined by the status of \overline{LDAC} pin.

In asynchronous mode ($\overline{LDAC} = \text{low}$ before the DAC write command), a write to the DAC data register results in an immediate update of the DAC active register and DAC output at the 24th rising-edge of the clock.

In synchronous mode ($\overline{LDAC} = \text{high}$ before the DAC write command), writing to the DAC data register does not automatically update the DAC output. Instead, the update occurs only after \overline{LDAC} is pulled low. The synchronous update mode enables simultaneous update of all DAC outputs.

6.3.1.3 \overline{CLR} Functionality

The \overline{CLR} pin is an asynchronous input pin to the DAC. When this pin is pulled low, the DAC buffers and the DAC active registers are set to zero code.

6.3.1.4 Output Amplifier

The output buffer amplifier generates rail-to-rail voltages on the output, giving a maximum output range of 0 V to V_{DD} . 方程式 1 shows that the full-scale output range of the DAC output is determined by the voltage on the VREFIN pin

6.3.2 Reference

The DACx3508 require an external reference to operate. However, the reference pin, VREFIN, and the supply pin, VDD, can be tied together. The reference input pin voltage ranges from 1.8 V to V_{DD} . The typical input impedance of this pin when all the channels are powered on is 24 k Ω .

6.3.3 Power-On Reset (POR)

The DACx3508 family of devices includes a power-on reset (POR) function that controls the output voltage at power up. After the V_{DD} supply has been established, a POR event is issued. The POR causes all registers to initialize to default values, and communication with the device is valid only after a 5-ms delay, when V_{DD} reaches DAC operating range. The default value for the DAC data registers is zero code. The DAC output remains at the power-up voltage until a valid command is written to a channel.

When the device powers up, a POR circuit sets the device to the default mode. The POR circuit requires specific V_{DD} levels, as indicated in 图 6-2, to discharge the internal capacitors and reset the device on power up. To trigger a POR, V_{DD} must be less than 0.7 V for at least 1 ms. When V_{DD} drops to less than 1.7 V but remains greater than 0.7 V (shown as the undefined region), the device does not reset successfully under all specified temperature and power-supply conditions. In this case, initiate a POR. When V_{DD} remains greater than 1.7 V, a POR does not occur.

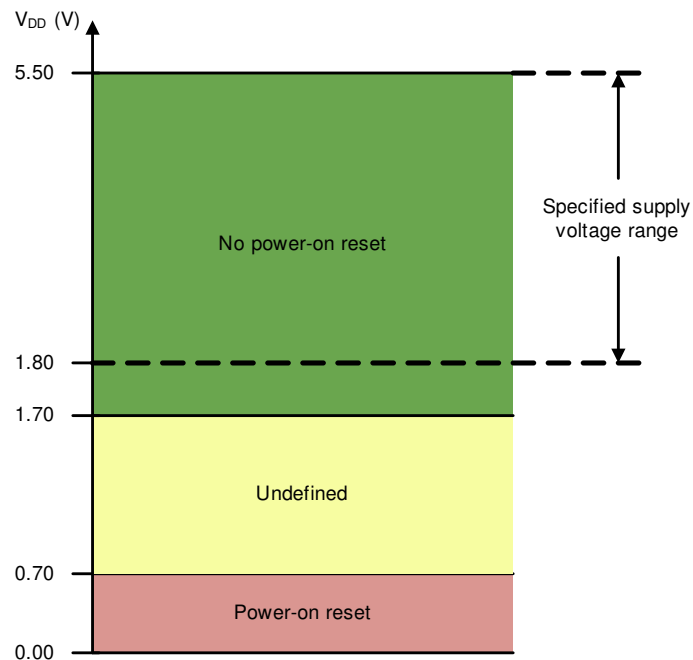


图 6-2. Threshold Levels for V_{DD} POR Circuit

6.3.4 Software Reset

A device software reset event is initiated by writing the reserved code 1010b to the SW_RST bit in the STATUS_TRIGGER register.

6.4 Device Functional Modes

The DACx3508 has two modes of operation: normal and power-down.

6.4.1 Power-Down Mode

The DACx3508 DAC output amplifiers can be independently or globally powered down (10 k Ω to A_{GND}) through the DEVICE_CONFIG register. In global power down mode, the device consumes 50 μ A ($V_{DD} = 1.8$ V). At power-up, all output channels buffer amplifiers start in power-down (10 k Ω -A_{GND}) mode until a power-up command is issued by writing 0 to the per-channel power-down register bits.

6.5 Programming

6.5.1 Serial Peripheral Interface (SPI)

The DACx3508 supports a three-wire SPI with write-only functionality. An SPI write cycle for DACx3508 is initiated by asserting the $\overline{\text{SYNC}}$ pin low. The serial clock, SCLK, can be a continuous or gated clock. SDI data are clocked on SCLK falling edges. The SPI frame for DACx3508 is 24 bits long; therefore, the $\overline{\text{SYNC}}$ pin must stay low for at least 24 SCLK falling edges. The write cycle ends when the $\overline{\text{SYNC}}$ pin is deasserted high. If the write cycle contains less than the minimum clock edges, the communication is ignored. If the write cycle contains more than the minimum clock edges, only the first 24 bits are used by the device.

表 6-1 describes the format for the 24-bit SPI write access cycle. The first byte input to SDI is the instruction cycle. The instruction cycle identifies the request as the 8-bit address to be written. The last 16 bits in the cycle form the data cycle.

表 6-1. SPI Write Access Cycle

BIT	FIELD	DESCRIPTION
23-16	A[7:0]	Register address: specifies the register to be accessed during the write operation.
15-0	DI[15:0]	Data cycle bits: The data cycle bits are the values written to the register with address A[7:0].

7 Register Map

表 7-1. Register Map

REGISTER NAME	REGISTER ADDRESS	DATA BITS												
		MSDB					LSDB							
		B23-B16	B15-B12	B11	B10	B9	B8	B7	B6	B5	B4	B3	B2	B1
DEVICE_CONFIG (节 7.1)	01h	X	RESERVED			PDN-AII	PDNH	PDNG	PDNF	PDNE	PDND	PDNC	PDNB	PDNA
STATUS_TRIGGER (节 7.2)	02h	X	X								SW_RST			
BRDCAST (节 7.3)	03h	X	BRDCAST_DATA[11:0] / BRDCAST_DATA[9:0] / BRDCAST_DATA[7:0]											
DACA_DATA (节 7.4)	08h	X	DACA_DATA[11:0] / DACA_DATA[9:0] / DACA_DATA[7:0]											
DACB_DATA (节 7.4)	09h	X	DACB_DATA[11:0] / DACB_DATA[9:0] / DACB_DATA[7:0]											
DACC_DATA (节 7.4)	0Ah	X	DACC_DATA[11:0] / DACC_DATA[9:0] / DACC_DATA[7:0]											
DACD_DATA (节 7.4)	0Bh	X	DACD_DATA[11:0] / DACD_DATA[9:0] / DACD_DATA[7:0]											
DACE_DATA (节 7.4)	0Ch	X	DACE_DATA[11:0] / DACE_DATA[9:0] / DACE_DATA[7:0]											
DACF_DATA (节 7.4)	0Dh	X	DACF_DATA[11:0] / DACF_DATA[9:0] / DACF_DATA[7:0]											
DACG_DATA (节 7.4)	0Eh	X	DACG_DATA[11:0] / DACG_DATA[9:0] / DACG_DATA[7:0]											
DACH_DATA (节 7.4)	0Fh	X	DACH_DATA[11:0] / DACH_DATA[9:0] / DACH_DATA[7:0]											

表 7-2. Register Section/Block Access Type Codes

Access Type	Code	Description
W	W	Write only
W	X	Don't care
-n		Value after reset or the default value

7.1 DEVICE_CONFIG Register (address = 01h) [reset = 00FFh]

图 7-1. DEVICE_CONFIG Register

15	14	13	12	11	10	9	8	7	6	5	4	3	2	1	0
X				RESERVED			PDN-All	PDNH	PDNG	PDNF	PDNE	PDND	PDNC	PDNB	PDNA
W-0h				W-0h			W-0h			W-FFh					

表 7-3. DEVICE_CONFIG Register Field Descriptions

BIT	FIELD	TYPE	RESET	DESCRIPTION
15-12	X	W	0h	Don't care
11-9	RESERVED	W	0h	Reserved
8	PDN-All	W	0h	Global power down bit: 0: Normal operation 1: All DAC channels and internal biasing blocks are powered down.
7-0	PDNx	W	FFh	Channel-specific power down bits: 0: DACx powered up 1: DACx powered down with 10 kΩ pulldown resistor to A _{GND} .

7.2 STATUS_TRIGGER Register (address = 02h) [reset = 0000h]

图 7-2. STATUS_TRIGGER Register

15	14	13	12	11	10	9	8	7	6	5	4	3	2	1	0
X												SW_RST			
W-000h												W-0h			

表 7-4. STATUS_TRIGGER Register Field Descriptions

BIT	FIELD	TYPE	RESET	DESCRIPTION
15-4	X	W	000h	Don't care
3-0	SW_RST	W	0h	Device resets to default value when this bit field is set to 1010b. Other values do not have any impact.

7.3 BRDCAST Register (address = 03h) [reset = 0000h]

图 7-3. BRDCAST Register

15	14	13	12	11	10	9	8	7	6	5	4	3	2	1	0
X				BRDCAST_DATA[11:0], BRDCAST_DATA[9:0], BRDCAST_DATA[7:0]											
W-0h				W-000h											

表 7-5. BRDCAST Register Field Descriptions

BIT	FIELD	TYPE	RESET	DESCRIPTION
15-12	X	W	0h	Don't care
11-0	BRDCAST_DATA[11:0], BRDCAST_DATA[9:0], BRDCAST_DATA[7:0]	W	000h	Writing to the BRDCAST register forces the DAC channel to update the active register data to BRDCAST_DATA. Data are MSB-aligned in straight-binary format and follow the format below: DAC43508: { DATA[7:0], X, X, X, X } DAC53508: { DATA[9:0], X, X } DAC63508: { DATA[11:0] } X - Don't care bits

7.4 DACn_DATA Register (address = 08h to 0Fh) [reset = 0000h]

图 7-4. DACn_DATA Register

15	14	13	12	11	10	9	8	7	6	5	4	3	2	1	0
X				DACn_DATA[11:0], DACn_DATA[9:0], DACn_DATA[7:0]											
W-0h				W-000h											

表 7-6. DACn_DATA Register Field Descriptions

BIT	FIELD	TYPE	RESET	DESCRIPTION
15-12	X	W	0h	Don't care
11-0	DACn_DATA[11:0], DACn_DATA[9:0], DACn_DATA[7:0]	W	000h	Writing to the DACn_DATA register forces the respective DAC channel to update the active register data to the DACn_DATA. Data are MSB-aligned in straight-binary format and follow the format below: DAC43508: { DATA[7:0], X, X, X, X } DAC53508: { DATA[9:0], X, X } DAC63508: { DATA[11:0] } X - Don't care bits

8 Application and Implementation

备注

Information in the following applications sections is not part of the TI component specification, and TI does not warrant its accuracy or completeness. TI's customers are responsible for determining suitability of components for their purposes, as well as validating and testing their design implementation to confirm system functionality.

8.1 Application Information

The DACx3508 is a buffered output, eight-channel, low-power DAC available in a tiny 3-mm x 3-mm package. The multichannel, low power, and small package makes this DAC an excellent choice for general-purpose applications in wide range of end equipment. Some of the most-common applications for these devices are LED biasing-in multifunction printers, power-supply supervision with programmable comparators, offset and gain trimming in precision circuits, and power-supply margining.

8.2 Typical Applications

8.2.1 Programmable LED Biasing

End equipments such as multifunction printers, projectors and electronic point-of-sale (EPOS) require a steady luminous intensity from the LED. 图 8-1 shows a simplified circuit diagram for biasing an LED using the DAC53508.

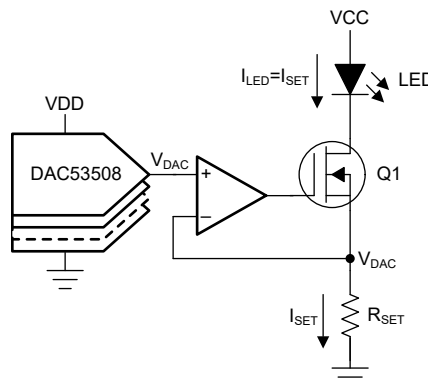


图 8-1. Programmable LED Biasing

8.2.1.1 Design Requirements

- Programmable constant current through an LED tied to a power supply on one end
- DAC output range: 0 V to 5 V
- LED current range: 0 mA to 20 mA

8.2.1.2 Detailed Design Procedure

The DAC is used to set the source current of a MOSFET using a unity-gain buffer, as shown in 图 8-1. Connect the LED between the power supply and the drain of the MOSFET. This configuration allows the DAC to control or set the amount of current through the LED. The buffer following the DAC controls the gate-source voltage of the MOSFET inside the feedback loop, thus compensating this drop and corresponding drift due to temperature, current, and ageing of the MOSFET. The current set by the DAC that flows through the LED is calculated with 方程式 2. To generate 0 mA to 20 mA from a 0 V to 5 V DAC output range, a 250-Ω R_{SET} is required.

$$I_{SET} = \frac{V_{DAC}}{R_{SET}} \quad (2)$$

The following pseudocode is provided to help get started with the LED biasing application:

```

//SYNTAX: WRITE <REGISTER NAME(Hex Code)>, <DATA>
//Power-up the device and channels
WRITE DEVICE_CONFIG(0x01), 0x0000
//Program mid code (or the desired voltage) on all channels
WRITE DACA_DATA(0x08), 0x07FC //10-bit MSB aligned
WRITE DACB_DATA(0x09), 0x07FC //10-bit MSB aligned
WRITE DACC_DATA(0x0A), 0x07FC //10-bit MSB aligned
WRITE DACD_DATA(0x0B), 0x07FC //10-bit MSB aligned
WRITE DACE_DATA(0x0C), 0x07FC //10-bit MSB aligned
WRITE DACF_DATA(0x0D), 0x07FC //10-bit MSB aligned
WRITE DACG_DATA(0x0E), 0x07FC //10-bit MSB aligned
WRITE DACH_DATA(0x0F), 0x07FC //10-bit MSB aligned
  
```

8.2.1.3 Application Curve

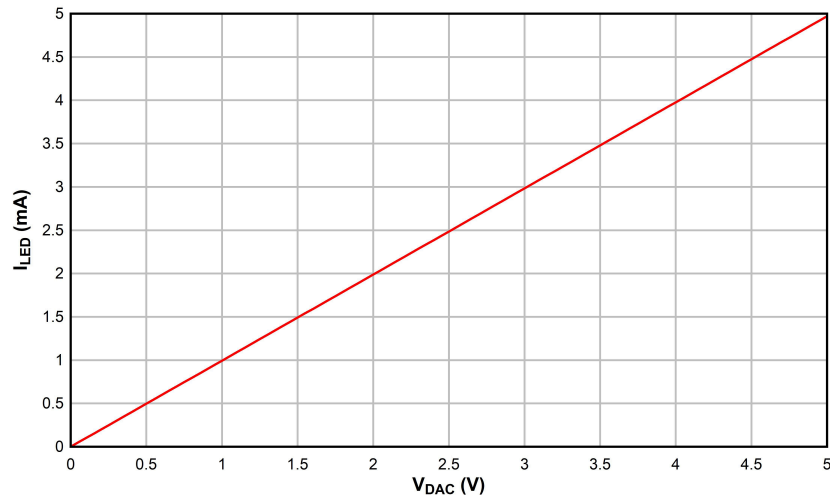


图 8-2. DC Transfer Characteristics of LED Biasing Circuit

8.2.2 Programmable Window Comparator

End equipment that use a centralized power supply (such as network servers, optical modules, and others) require the monitoring of power buses to protect the components. This monitoring or supervision is accomplished using a window comparator. A window comparator monitors a signal input for upper- and lower-threshold violations. A trigger signal is generated when the threshold violations occur. Multichannel monitoring is required to supervise all power supplies available in a module. The DACx3508 provides an easy-to-use, low-footprint method to address this requirement. 图 8-3 shows how the DAC53508 is used to create a programmable window comparator.

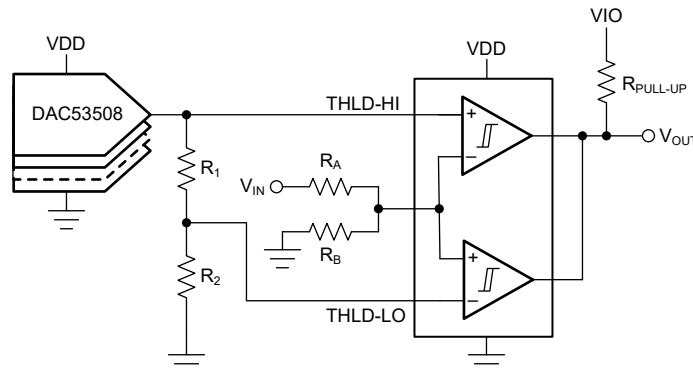


图 8-3. Programmable Window Comparator

8.2.2.1 Design Requirements

- Voltage to be monitored: 5 V
- High threshold: 5 V + 10%
- Low threshold: 5 V - 10%
- Trigger output: 3.3-V open-drain single output

8.2.2.2 Detailed Design Procedure

图 8-3 provides an example in which a single DAC channel is used to compare both high and low thresholds. A dual comparator is used per DAC channel, as shown. A voltage divider formed by resistors R_A and R_B are used to bring the signal level within the DAC range. Another pair of resistors, R_1 and R_2 , are used to settle the low threshold as a factor of the high threshold. This configuration allows the use of a single DAC channel to monitor both the high- and low-threshold levels. Use open-drain comparators to provide the following advantages.

- Generate a logic output level appropriate for the monitoring processor
- Allow shorting of the two outputs to generate a single trigger

In the circuit depicted in 图 8-3, the output of the circuit remains high as long as the signal input remains within the high- and low-threshold levels. Upon violation of any one threshold, the output goes low. 方程式 3 provides the derivation of the low threshold voltage from the high threshold set by the DAC.

$$V_{\text{THLD-LO}} = V_{\text{DAC}} \times \left(\frac{R_2}{R_1 + R_2} \right) \quad (3)$$

To monitor a power supply of 5 V within $\pm 10\%$, place the nominal value at the DAC midcode. The output range of the DACx3508 is 0 V to 5 V, thus the midcode voltage output is 2.5 V. Therefore, R_A and R_B are chosen so that the voltage to be compared is 2.5 V. For this example, R_A equals R_B ; use 10-k Ω resistors for both. One channel of the DACx3508 must be programmed to $V_{THLD-HI}$ (for example, 2.5 V + 5% = 2.625 V). This result corresponds to a 10-bit DAC code of $(2^{10} / 5 \text{ V}) \times 2.625 \text{ V} = 537.6$ (0x21Ah). To generate $V_{THLD-LO}$ (for example, 2.5 V - 5% = 2.405 V) from 2.625 V, the values of R_1 and R_2 are calculated as 7.5 k Ω and 82 k Ω , respectively, using [方程 3](#).

The following pseudocode is provided to help get started with the programmable window comparator application at the desired DAC value.

```

//SYNTAX: WRITE <REGISTER NAME(Hex Code)>, <DATA>
//Power-up the device and channels
WRITE DEVICE_CONFIG(0x01), 0x0000
//Program 2.625V on channel A
WRITE DACA_DATA(0x08), 0x0868 //10-bit MSB aligned
  
```

8.2.2.3 Application Curve

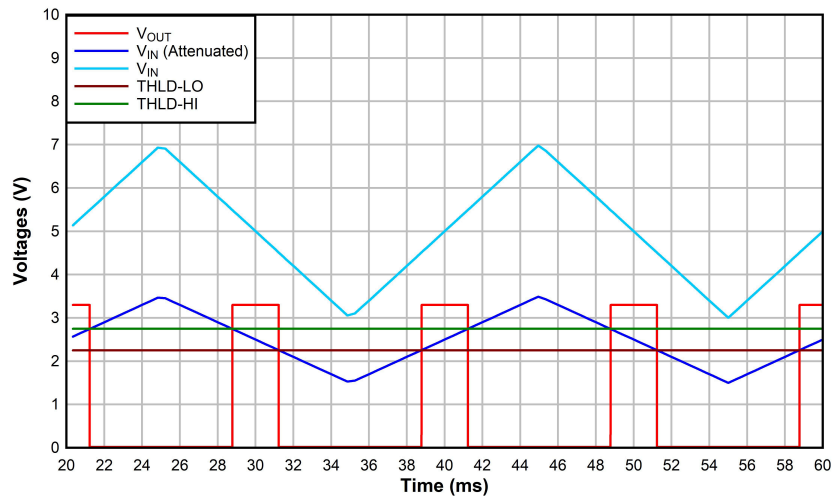


图 8-4. Programmable Comparator Output Waveform

8.3 Power Supply Recommendations

The DACx3508 family of devices does not require specific supply sequencing. These devices require a single power supply, V_{DD} . A 0.1- μF decoupling capacitor is recommended for the V_{DD} pin.

8.4 Layout

8.4.1 Layout Guidelines

The DACx3508 pinout separates the analog, digital, and power pins for an optimized layout. For signal integrity, separate digital and analog traces and place decoupling capacitors close to the device pins.

8.4.2 Layout Example

图 8-5 shows an example layout drawing with decoupling capacitors and pullup resistors.

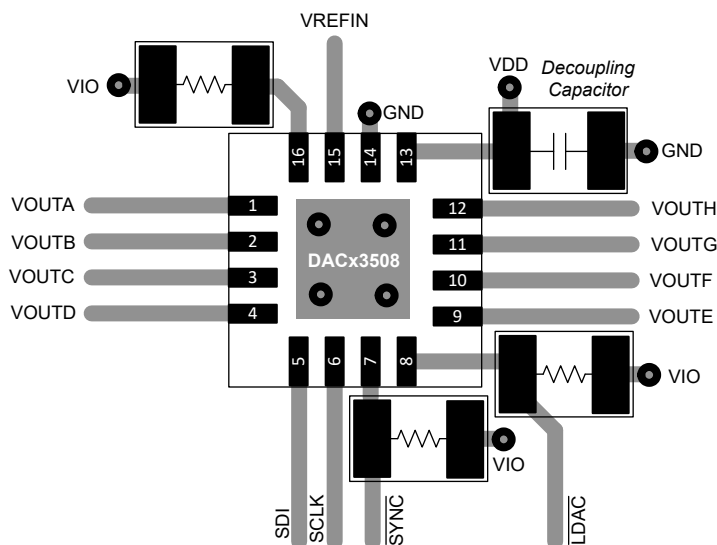


图 8-5. Layout Example

9 Device and Documentation Support

9.1 Documentation Support

9.1.1 Related Documentation

For related documentation see the following: Texas Instruments, [DAC53608EVM user's guide](#)

9.2 接收文档更新通知

要接收文档更新通知，请导航至 [ti.com](#) 上的器件产品文件夹。点击 [通知](#) 进行注册，即可每周接收产品信息更改摘要。有关更改的详细信息，请查看任何已修订文档中包含的修订历史记录。

9.3 支持资源

[TI E2E™ 中文支持论坛](#) 是工程师的重要参考资料，可直接从专家处获得快速、经过验证的解答和设计帮助。搜索现有解答或提出自己的问题，获得所需的快速设计帮助。

链接的内容由各个贡献者“按原样”提供。这些内容并不构成 TI 技术规范，并且不一定反映 TI 的观点；请参阅 TI 的 [使用条款](#)。

9.4 Trademarks

TI E2E™ is a trademark of Texas Instruments.

所有商标均为其各自所有者的财产。

9.5 静电放电警告



静电放电 (ESD) 会损坏这个集成电路。德州仪器 (TI) 建议通过适当的预防措施处理所有集成电路。如果不遵守正确的处理和安装程序，可能会损坏集成电路。

ESD 的损坏小至导致微小的性能降级，大至整个器件故障。精密的集成电路可能更容易受到损坏，这是因为非常细微的参数更改都可能会导致器件与其发布的规格不相符。

9.6 术语表

[TI 术语表](#) 本术语表列出并解释了术语、首字母缩略词和定义。

10 Revision History

注：以前版本的页码可能与当前版本的页码不同

Changes from Revision * (December 2023) to Revision A (May 2024)	Page
• 添加了 DAC63508 和相关内容.....	1
• 删除了第 1 个 <i>特性</i> 要点中的 INL.....	1
• Added exceptions for "current into any pin" in the <i>Absolute Maximum Ratings</i>	4
• Updated footnotes in the <i>Electrical characteristics</i>	5
• Added 12-bit resolution in <i>Electrical Characteristics</i>	5
• Added INL data for 12-bit resolution in <i>Electrical Characteristics</i>	5
• Updated DAC codes in the test conditions for DC output impedance in the <i>Electrical Characteristics</i>	5
• Updated the reference input impedance value in the <i>Electrical Characteristics</i>	5
• Moved plots and updated section titles to better organize all <i>Typical Characteristics</i>	9
• Changed all plots to accommodate data for 12-bit resolution in all <i>Typical Characteristics</i>	9
• Added the resolution information to the header test conditions for all <i>Typical Characteristics</i>	9
• Updated plot test conditions for Figure 5-36, <i>Glitch Impulse, Rising Edge, 4-LSB Step</i> ; Figure 5-37, <i>Glitch Impulse, Falling Edge, 4-LSB Step</i> ; Figure 5-38, <i>Full-Scale Settling Time, Rising Edge</i> ; Figure 5-39, <i>Full-Scale Settling Time, Falling Edge</i> in <i>Typical Characteristics: Dynamic Performance</i>	15
• Changed "end of SPI frame" to "24th rising-edge of the clock" in <i>DAC Register Update and LDAC Functionality</i>	20

• Changed from 12.5 k Ω to 24 k Ω in <i>Reference</i>	21
• Changed 0x1010 to 1010b in <i>Software Reset</i>	21
• Updated sentence to specify global power down current more accurately in <i>Power-Down Mode</i>	22
• Updated BRDCAST_DATA and DACn_DATA bits from B11 till B0 in the <i>Register Map</i>	23
• Changed Command Bits to Register Address in the <i>Register Map</i> table header.....	23
• Changed 1010 to 1010b in the <i>STATUS_TRIGGER Register</i>	24
• Updated B11:B0 to accommodate 12-bit resolution in the <i>DACn_DATA Register</i>	25

11 Mechanical, Packaging, and Orderable Information

The following pages include mechanical, packaging, and orderable information. This information is the most current data available for the designated devices. This data is subject to change without notice and revision of this document. For browser-based versions of this data sheet, refer to the left-hand navigation.

PACKAGING INFORMATION

Orderable part number	Status (1)	Material type (2)	Package Pins	Package qty Carrier	RoHS (3)	Lead finish/ Ball material (4)	MSL rating/ Peak reflow (5)	Op temp (°C)	Part marking (6)
DAC43508RTER	Active	Production	WQFN (RTE) 16	3000 LARGE T&R	Yes	SN	Level-1-260C-UNLIM	-40 to 125	D43508
DAC43508RTER.A	Active	Production	WQFN (RTE) 16	3000 LARGE T&R	Yes	SN	Level-1-260C-UNLIM	-40 to 125	D43508
DAC43508RTERG4	Active	Production	WQFN (RTE) 16	3000 LARGE T&R	Yes	NIPDAU	Level-1-260C-UNLIM	-40 to 125	D43508
DAC43508RTERG4.A	Active	Production	WQFN (RTE) 16	3000 LARGE T&R	Yes	NIPDAU	Level-1-260C-UNLIM	-40 to 125	D43508
DAC53508RTER	Active	Production	WQFN (RTE) 16	3000 LARGE T&R	Yes	SN	Level-1-260C-UNLIM	-40 to 125	D53508
DAC53508RTER.A	Active	Production	WQFN (RTE) 16	3000 LARGE T&R	Yes	SN	Level-1-260C-UNLIM	-40 to 125	D53508
DAC53508RTET	Active	Production	WQFN (RTE) 16	250 SMALL T&R	Yes	SN	Level-1-260C-UNLIM	-40 to 125	D53508
DAC53508RTET.A	Active	Production	WQFN (RTE) 16	250 SMALL T&R	Yes	SN	Level-1-260C-UNLIM	-40 to 125	D53508
DAC63508RTER	Active	Production	WQFN (RTE) 16	3000 LARGE T&R	Yes	NIPDAU	Level-1-260C-UNLIM	-40 to 125	D63508
DAC63508RTER.A	Active	Production	WQFN (RTE) 16	3000 LARGE T&R	Yes	NIPDAU	Level-1-260C-UNLIM	-40 to 125	D63508

(1) **Status:** For more details on status, see our [product life cycle](#).

(2) **Material type:** When designated, preproduction parts are prototypes/experimental devices, and are not yet approved or released for full production. Testing and final process, including without limitation quality assurance, reliability performance testing, and/or process qualification, may not yet be complete, and this item is subject to further changes or possible discontinuation. If available for ordering, purchases will be subject to an additional waiver at checkout, and are intended for early internal evaluation purposes only. These items are sold without warranties of any kind.

(3) **RoHS values:** Yes, No, RoHS Exempt. See the [TI RoHS Statement](#) for additional information and value definition.

(4) **Lead finish/Ball material:** Parts may have multiple material finish options. Finish options are separated by a vertical ruled line. Lead finish/Ball material values may wrap to two lines if the finish value exceeds the maximum column width.

(5) **MSL rating/Peak reflow:** The moisture sensitivity level ratings and peak solder (reflow) temperatures. In the event that a part has multiple moisture sensitivity ratings, only the lowest level per JEDEC standards is shown. Refer to the shipping label for the actual reflow temperature that will be used to mount the part to the printed circuit board.

(6) **Part marking:** There may be an additional marking, which relates to the logo, the lot trace code information, or the environmental category of the part.

Multiple part markings will be inside parentheses. Only one part marking contained in parentheses and separated by a "~" will appear on a part. If a line is indented then it is a continuation of the previous line and the two combined represent the entire part marking for that device.

Important Information and Disclaimer: The information provided on this page represents TI's knowledge and belief as of the date that it is provided. TI bases its knowledge and belief on information provided by third parties, and makes no representation or warranty as to the accuracy of such information. Efforts are underway to better integrate information from third parties. TI has taken and continues to take reasonable steps to provide representative

and accurate information but may not have conducted destructive testing or chemical analysis on incoming materials and chemicals. TI and TI suppliers consider certain information to be proprietary, and thus CAS numbers and other limited information may not be available for release.

In no event shall TI's liability arising out of such information exceed the total purchase price of the TI part(s) at issue in this document sold by TI to Customer on an annual basis.

TAPE AND REEL INFORMATION

QUADRANT ASSIGNMENTS FOR PIN 1 ORIENTATION IN TAPE


*All dimensions are nominal

Device	Package Type	Package Drawing	Pins	SPQ	Reel Diameter (mm)	Reel Width W1 (mm)	A0 (mm)	B0 (mm)	K0 (mm)	P1 (mm)	W (mm)	Pin1 Quadrant
DAC43508RTER	WQFN	RTE	16	3000	330.0	12.4	3.3	3.3	1.1	8.0	12.0	Q2
DAC43508RTERG4	WQFN	RTE	16	3000	330.0	12.4	3.3	3.3	1.1	8.0	12.0	Q2
DAC53508RTER	WQFN	RTE	16	3000	330.0	12.4	3.3	3.3	1.1	8.0	12.0	Q2
DAC53508RTET	WQFN	RTE	16	250	180.0	12.4	3.3	3.3	1.1	8.0	12.0	Q2
DAC63508RTER	WQFN	RTE	16	3000	330.0	12.4	3.3	3.3	1.1	8.0	12.0	Q2

TAPE AND REEL BOX DIMENSIONS


*All dimensions are nominal

Device	Package Type	Package Drawing	Pins	SPQ	Length (mm)	Width (mm)	Height (mm)
DAC43508RTER	WQFN	RTE	16	3000	367.0	367.0	35.0
DAC43508RTERG4	WQFN	RTE	16	3000	367.0	367.0	35.0
DAC53508RTER	WQFN	RTE	16	3000	367.0	367.0	35.0
DAC53508RTET	WQFN	RTE	16	250	210.0	185.0	35.0
DAC63508RTER	WQFN	RTE	16	3000	367.0	367.0	35.0

GENERIC PACKAGE VIEW

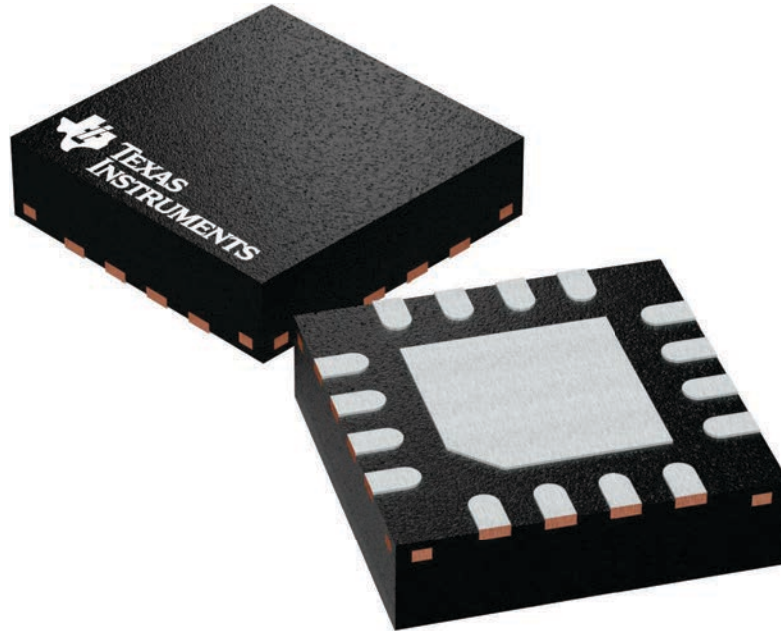
RTE 16

WQFN - 0.8 mm max height

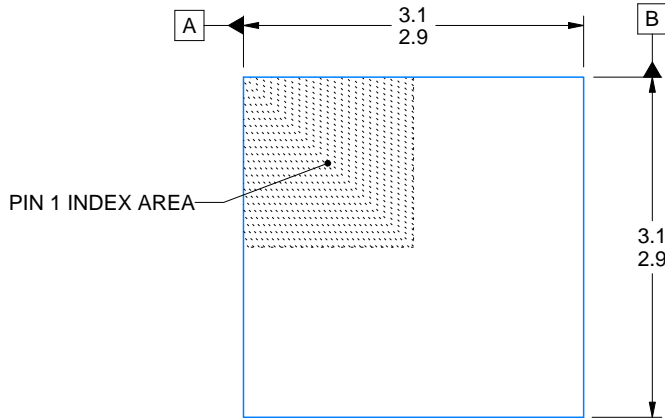
3 x 3, 0.5 mm pitch

PLASTIC QUAD FLATPACK - NO LEAD

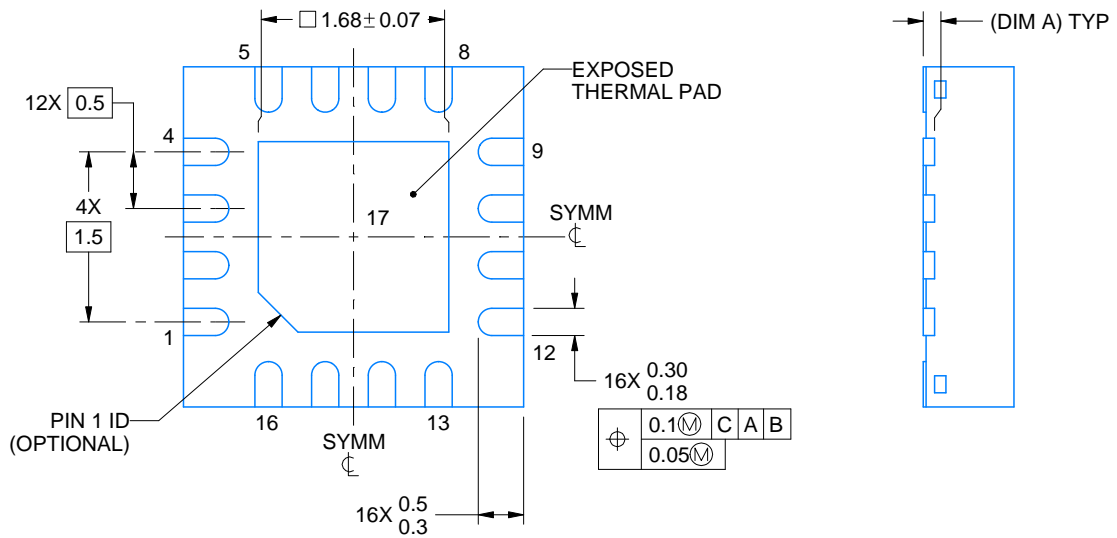
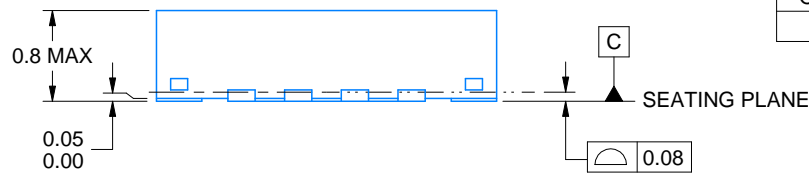
This image is a representation of the package family, actual package may vary.
Refer to the product data sheet for package details.



4225944/A



SIDE WALL METAL THICKNESS DIM A	
OPTION 1	OPTION 2
0.1	0.2



4219117/B 04/2022

NOTES:

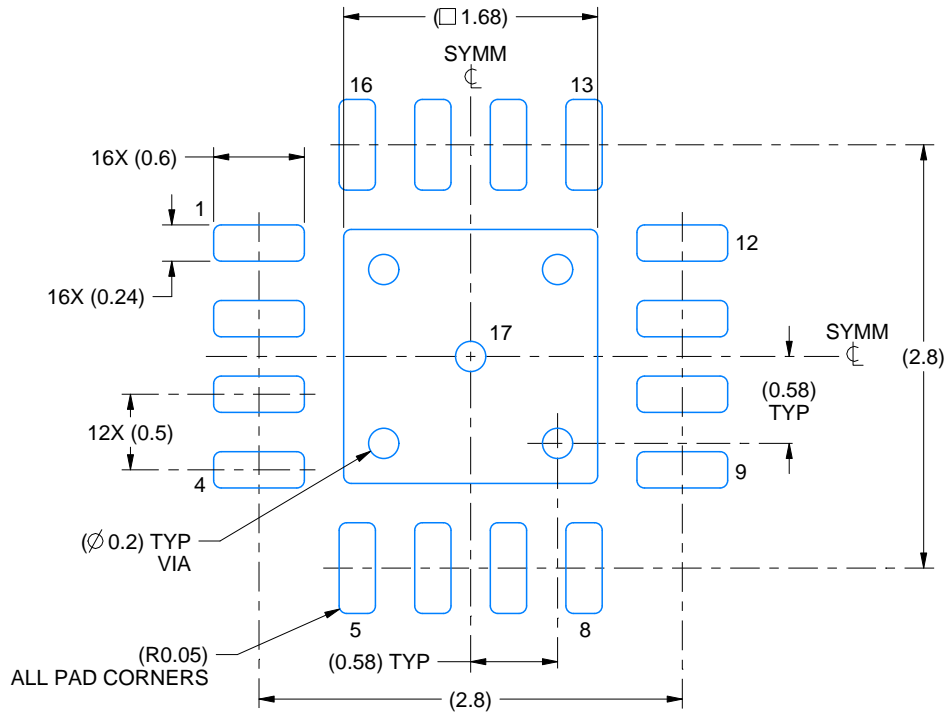
1. All linear dimensions are in millimeters. Any dimensions in parenthesis are for reference only. Dimensioning and tolerancing per ASME Y14.5M.
2. This drawing is subject to change without notice.
3. The package thermal pad must be soldered to the printed circuit board for thermal and mechanical performance.

EXAMPLE BOARD LAYOUT

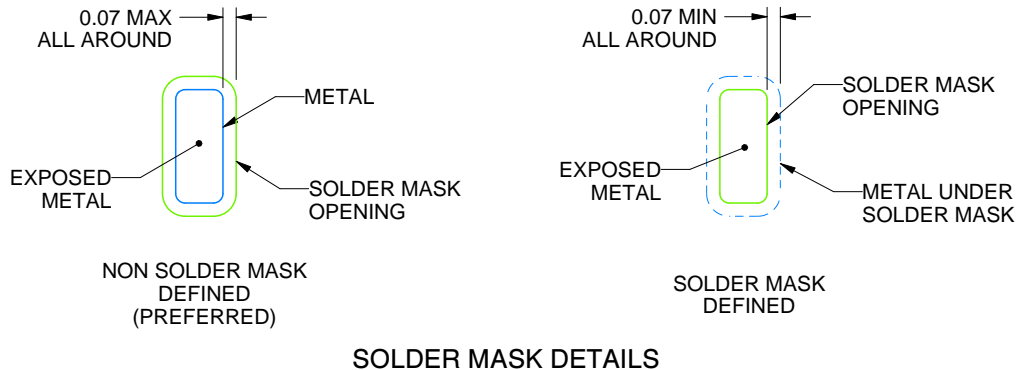
RTE0016C

WQFN - 0.8 mm max height

PLASTIC QUAD FLATPACK - NO LEAD



LAND PATTERN EXAMPLE
EXPOSED METAL SHOWN
SCALE:20X



4219117/B 04/2022

NOTES: (continued)

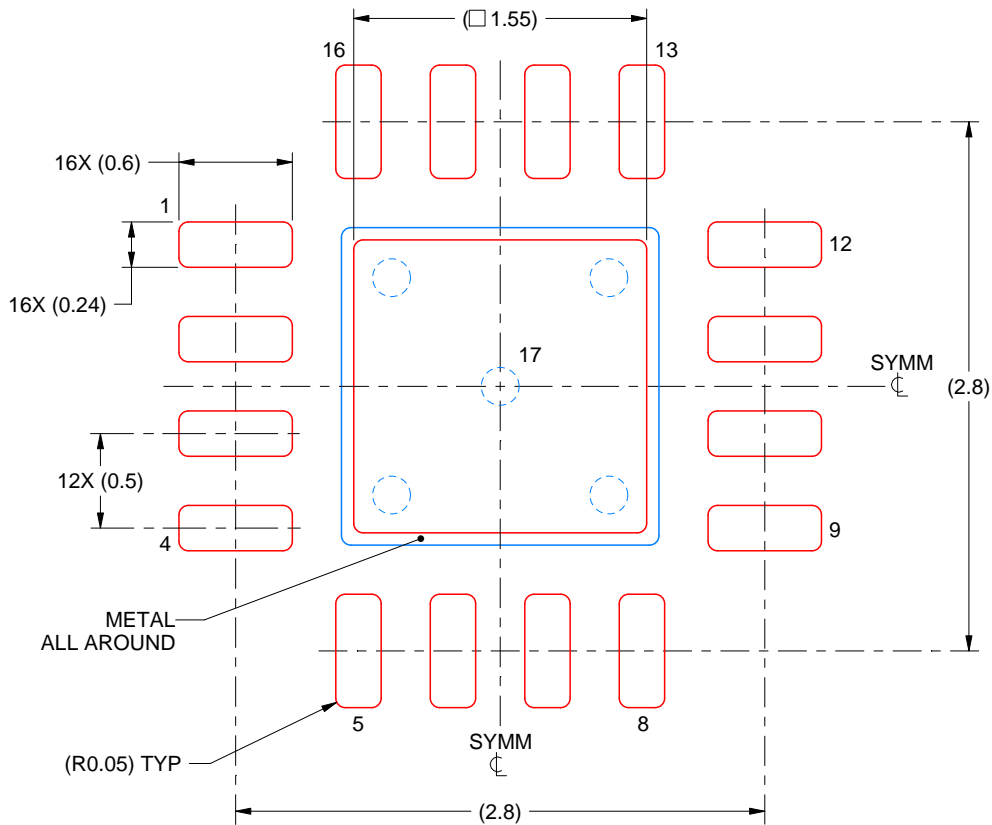
- This package is designed to be soldered to a thermal pad on the board. For more information, see Texas Instruments literature number SLUA271 (www.ti.com/lit/sl原因271).
- Vias are optional depending on application, refer to device data sheet. If any vias are implemented, refer to their locations shown on this view. It is recommended that vias under paste be filled, plugged or tented.

EXAMPLE STENCIL DESIGN

RTE0016C

WQFN - 0.8 mm max height

PLASTIC QUAD FLATPACK - NO LEAD



SOLDER PASTE EXAMPLE
BASED ON 0.125 mm THICK STENCIL

EXPOSED PAD 17:
85% PRINTED SOLDER COVERAGE BY AREA UNDER PACKAGE
SCALE:25X

4219117/B 04/2022

NOTES: (continued)

6. Laser cutting apertures with trapezoidal walls and rounded corners may offer better paste release. IPC-7525 may have alternate design recommendations.

重要通知和免责声明

TI“按原样”提供技术和可靠性数据（包括数据表）、设计资源（包括参考设计）、应用或其他设计建议、网络工具、安全信息和其他资源，不保证没有瑕疵且不做任何明示或暗示的担保，包括但不限于对适销性、与某特定用途的适用性或不侵犯任何第三方知识产权的暗示担保。

这些资源可供使用 TI 产品进行设计的熟练开发人员使用。您将自行承担以下全部责任：(1) 针对您的应用选择合适的 TI 产品，(2) 设计、验证并测试您的应用，(3) 确保您的应用满足相应标准以及任何其他安全、安保法规或其他要求。

这些资源如有变更，恕不另行通知。TI 授权您仅可将这些资源用于研发本资源所述的 TI 产品的相关应用。严禁以其他方式对这些资源进行复制或展示。您无权使用任何其他 TI 知识产权或任何第三方知识产权。对于因您对这些资源的使用而对 TI 及其代表造成的任何索赔、损害、成本、损失和债务，您将全额赔偿，TI 对此概不负责。

TI 提供的产品受 [TI 销售条款](#)、[TI 通用质量指南](#) 或 [ti.com](#) 上其他适用条款或 TI 产品随附的其他适用条款的约束。TI 提供这些资源并不会扩展或以其他方式更改 TI 针对 TI 产品发布的适用的担保或担保免责声明。除非德州仪器 (TI) 明确将某产品指定为定制产品或客户特定产品，否则其产品均为按确定价格收入目录的标准通用器件。

TI 反对并拒绝您可能提出的任何其他或不同的条款。

版权所有 © 2026，德州仪器 (TI) 公司

最后更新日期：2025 年 10 月