

## CDx4HC4094、CD74HCT4094 三态高速 CMOS 逻辑 8 级移位和存储总线寄存器

### 1 特性

- 缓冲输入
- 与正负时钟边沿同步以实现级联的独立串行输出
- 扇出 (超出温度范围)
  - 标准输出: 10 个 LSTTL 负载
  - 总线驱动器输出: 15 个 LSTTL 负载
- 宽工作温度范围:  $-55^{\circ}\text{C}$  至  $125^{\circ}\text{C}$
- 平衡的传播延迟时间及转换时间
- 与 LSTTL 逻辑 IC 相比, 功耗显著降低
- HC 类型
  - 2V 至 6V 工作电压
  - 高抗噪性: 当  $V_{\text{CC}} = 5\text{V}$  时,  $N_{\text{IL}} = 30\%$ ,  $N_{\text{IH}} = V_{\text{CC}}$  的 30%
- HCT 类型
  - 4.5V 至 5.5V 工作电压
  - 直接 LSTTL 输入逻辑兼容性,  $V_{\text{IL}} = 0.8\text{V}$  (最大值),  $V_{\text{IH}} = 2\text{V}$  (最小值)
  - CMOS 输入兼容性, 当电压为  $V_{\text{OL}}$ 、 $V_{\text{OH}}$  时,  $I_{\text{I}} \leq 1\mu\text{A}$

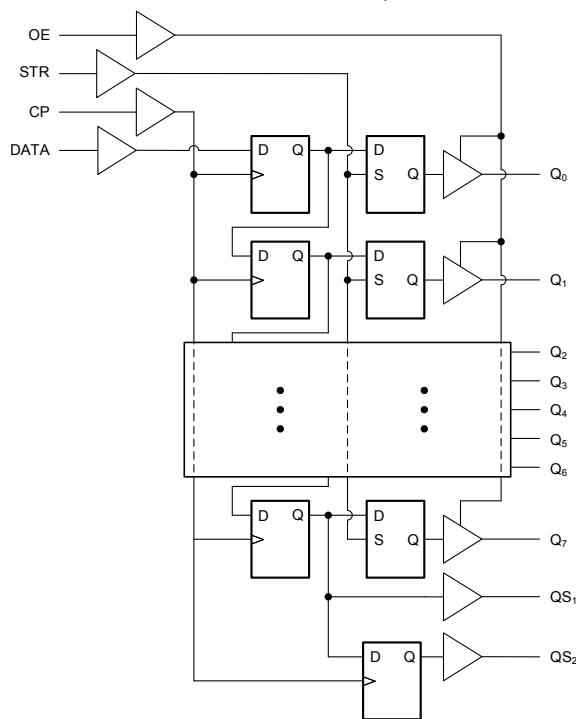
### 2 说明

CDx4HC4094 和 CD74HCT4094 是 8 级串行移位寄存器, 具有一个与每一级关联的锁存器, 可将数据从串行输入选通到并行缓冲三态输出。可将并行输出直接连接到公共总线。数据在正时钟转换时发生移位。当选通输入为高电平时, 每个移位寄存器级的数据都会传输到存储寄存器中。当输出使能信号为高电平时, 存储寄存器中的数据会传输到输出端。

#### 器件信息

器件型号	封装 <sup>(1)</sup>	封装尺寸 (标称值)
CD54HC4094F3A	CDIP (16)	24.38mm × 6.92mm
CD74HC4094M	SOIC (16)	9.90mm × 3.90mm
CD74HC4094E	PDIP (16)	19.31mm × 6.35mm
CD74HC4094NSR	SO (16)	6.20mm × 5.30mm
CD74HC4094PW	TSSOP (16)	5.00mm × 4.40mm
CD74HCT4094M	SOIC (16)	9.90mm × 3.90mm
CD74HCT4094E	PDIP (16)	19.31mm × 6.35mm

(1) 如需了解所有可用封装, 请参阅数据表末尾的可订购产品附录。



功能框图



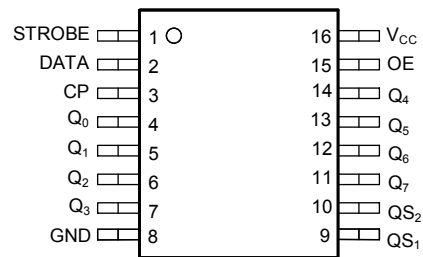
## Table of Contents

<b>1 特性</b> .....	1	7.2 Functional Block Diagram.....	10
<b>2 说明</b> .....	1	7.3 Device Functional Modes.....	11
<b>3 Revision History</b> .....	2	<b>8 Power Supply Recommendations</b> .....	12
<b>4 Pin Configuration and Functions</b> .....	3	<b>9 Layout</b> .....	12
<b>5 Specifications</b> .....	4	9.1 Layout Guidelines.....	12
5.1 Absolute Maximum Ratings.....	4	<b>10 Device and Documentation Support</b> .....	13
5.2 Recommended Operating Conditions.....	4	10.1 Documentation Support.....	13
5.3 Thermal Information.....	4	10.2 接收文档更新通知.....	13
5.4 Electrical Characteristics.....	5	10.3 支持资源.....	13
5.5 Prerequisite for Switching Characteristics.....	6	10.4 Trademarks.....	13
5.6 Switching Characteristics.....	7	10.5 Electrostatic Discharge Caution.....	13
<b>6 Parameter Measurement Information</b> .....	9	10.6 术语表.....	13
<b>7 Detailed Description</b> .....	10	<b>11 Mechanical, Packaging, and Orderable Information</b> .....	13
7.1 Overview.....	10		

## 3 Revision History

Changes from Revision E (December 2010) to Revision F (March 2022)	Page
• 更新了整个文档中的编号、格式、表格、图和交叉参考，以反映现代数据表标准.....	1

## 4 Pin Configuration and Functions



**J, N, D, NS, or PW package**  
**16-Pin CDIP, PDIP, SOIC, SO, or TSSOP**  
**Top View**

## 5 Specifications

### 5.1 Absolute Maximum Ratings

over operating free-air temperature range (unless otherwise noted) <sup>(1)</sup>

		MIN	MAX	UNIT
V <sub>CC</sub>	Supply voltage	- 0.5	7	V
I <sub>IK</sub>	Input diode current	For V <sub>I</sub> < - 0.5 V or V <sub>I</sub> > V <sub>CC</sub> + 0.5 V		±20 mA
I <sub>OK</sub>	Output diode current	For V <sub>O</sub> < - 0.5 V or V <sub>O</sub> > V <sub>CC</sub> + 0.5 V		±20 mA
I <sub>O</sub>	Output source or sink current per output pin	For V <sub>O</sub> > - 0.5 V or V <sub>O</sub> < V <sub>CC</sub> + 0.5 V		±25 mA
Continuous current through V <sub>CC</sub> or GND				±50 mA
T <sub>J</sub>	Junction temperature			150 °C
T <sub>stg</sub>	Storage temperature	- 65	150	°C
Maximum lead temperature (Soldering 10s) (SOIC - lead tips only)				300 °C

- (1) Stresses beyond those listed under *Absolute Maximum Ratings* may cause permanent damage to the device. These are stress ratings only, which do not imply functional operation of the device at these or any other conditions beyond those indicated under *Recommended Operating Conditions*. Exposure to absolute-maximum-rated conditions for extended periods may affect device reliability.

### 5.2 Recommended Operating Conditions

over operating free-air temperature range (unless otherwise noted)

		MIN	NOM	MAX	UNIT
V <sub>CC</sub>	Supply voltage range	HC types		2	V
		HCT types		4.5	
V <sub>I</sub> , V <sub>O</sub>	Input or output voltage	0		V <sub>CC</sub>	V
t <sub>t</sub>	Input rise and fall time	2 V		1000	ns
		4.5 V		500	
		6 V		400	
T <sub>A</sub>	Temperature range	- 55		125	°C

### 5.3 Thermal Information

THERMAL METRIC		N (PDIP)	D (SOIC) <sup>(2)</sup>	NS (SOP)	PW (TSSOP)	UNIT
		PINS	PINS	PINS	PINS	
R <sub>θJA</sub>	Junction-to-ambient thermal resistance <sup>(1)</sup>	67	73	64	108	°C/W

- (1) For more information about traditional and new thermal metrics, see the [Semiconductor and IC package thermal metrics](#) application report.  
 (2) Lead tips only

## 5.4 Electrical Characteristics

over operating free-air temperature range (unless otherwise noted)

PARAMETER	TEST CONDITIONS <sup>(2)</sup>	V <sub>CC</sub> (V)	25°C			- 40°C to 85°C		- 55°C to 125°C		UNIT
			MIN	TYP	MAX	MIN	MAX	MIN	MAX	
<b>HC TYPES</b>										
V <sub>IH</sub>	High-level input voltage		2	1.5		1.5		1.5		V
			4.5	3.15		3.15		3.15		V
			6	4.2		4.2		4.2		V
V <sub>IL</sub>	Low-level input voltage		2		0.5		0.5		0.5	V
			4.5		1.35		1.35		1.35	V
			6		1.8		1.8		1.8	V
V <sub>OH</sub>	High-level output voltage CMOS loads	I <sub>OH</sub> = - 20 μA	2	1.9		1.9		1.9		V
		I <sub>OH</sub> = - 20 μA	4.5	4.4		4.4		4.4		V
		I <sub>OH</sub> = - 20 μA	6	5.9		5.9		5.9		V
	High-level output voltage TTL loads	I <sub>OH</sub> = - 6mA	4.5	3.98		3.84		3.7		V
		I <sub>OH</sub> = - 7.8mA	6	5.48		5.34		5.2		V
V <sub>OL</sub>	Low-level output voltage CMOS loads	I <sub>OL</sub> = 20 μA	2		0.1		0.1		0.1	V
		I <sub>OL</sub> = 20 μA	4.5		0.1		0.1		0.1	V
		I <sub>OL</sub> = 20 μA	6		0.1		0.1		0.1	V
	Low-level output voltage TTL loads	I <sub>OL</sub> = 6mA	4.5		0.26		0.33		0.4	V
		I <sub>OL</sub> = 7.8mA	6		0.26		0.33		0.4	V
I <sub>I</sub>	Input leakage current	V <sub>CC</sub> or GND	6		±0.1		±1		±1	μA
I <sub>CC</sub>	Supply current	V <sub>CC</sub> or GND	6		8		80		160	μA
<b>HCT TYPES</b>										
V <sub>IH</sub>	High-level input voltage		4.5 to 5.5	2		2		2		V
V <sub>IL</sub>	Low-level input voltage		4.5 to 5.5		0.8		0.8		0.8	V
V <sub>OH</sub>	High-level output voltage CMOS loads	I <sub>OH</sub> = - 20 μA	4.5	4.4		4.4		4.4		V
	High-level output voltage TTL loads	I <sub>OH</sub> = - 6mA	4.5	3.98		3.84		3.7		V
V <sub>OL</sub>	Low-level output voltage CMOS loads	I <sub>OL</sub> = 20 μA	4.5		0.1		0.1		0.1	V
	Low-level output voltage TTL loads	I <sub>OL</sub> = 6mA	4.5		0.26		0.33		0.4	V
I <sub>I</sub>	Input leakage current	V <sub>CC</sub> and GND	5.5		±0.1		±1		±1	μA
I <sub>CC</sub>	Supply Current	V <sub>CC</sub> and GND	5.5		8		80		160	μA
Δ I <sub>CC</sub> <sup>(1) (3)</sup>	Additional quiescent device current per input pin: 1 unit load	D	4.5 to 5.5	40	144		180		196	μA
		CP, OE	4.5 to 5.5	150	540		675		735	μA
		STR	4.5 to 5.5	100	360		450		490	μA

(1) For dual-supply systems theoretical worst case (V<sub>I</sub> = 2.4 V, V<sub>CC</sub> = 5.5 V) specification is 1.8 mA.

(2) V<sub>I</sub> = V<sub>IH</sub> or V<sub>IL</sub>, unless otherwise noted.

(3) Inputs held at V<sub>CC</sub> - 2.1.

## 5.5 Prerequisite for Switching Characteristics

over operating free-air temperature range (unless otherwise noted)

PARAMETER		V <sub>CC</sub> (V)	25°C		- 40 to 85°C		- 55 to 125°C		UNIT
			MIN	MAX	MIN	MAX	MIN	MAX	
<b>HC TYPES</b>									
t <sub>W</sub>	CP pulse duration	2	80	100	120	ns			
		4.5	16	20	24				
		6	14	17	20				
t <sub>WH</sub>	STR pulse duration	2	80	100	120	ns			
		4.5	16	20	24				
		6	14	17	20				
t <sub>SU</sub>	Data set-up time	2	50	65	75	ns			
		4.5	10	13	15				
		6	9	11	13				
t <sub>H</sub>	Data hold time	2	3	3	3	ns			
		4.5	3	3	3				
		6	3	3	3				
t <sub>SU</sub>	STR set-up time	2	100	125	150	ns			
		4.5	20	25	30				
		6	17	21	26				
t <sub>H</sub>	STR hold time	2	0	0	0	ns			
		4.5	0	0	0				
		6	0	0	0				
f <sub>CL (MAX)</sub>	Maximum CP frequency	2	6	5	4	MHz			
		4.5	30	24	20				
		6	35	28	24				
<b>HCT TYPES</b>									
t <sub>W</sub>	CP pulse duration	4.5	16	20	24	ns			
t <sub>WH</sub>	STR pulse duration	4.5	16	20	24	ns			
t <sub>SU</sub>	Data set-up time	4.5	10	13	15	ns			
t <sub>H</sub>	Data hold time	4.5	4	4	4	ns			
t <sub>SU</sub>	STR set-up time	4.5	20	25	30	ns			
t <sub>H</sub>	STR hold time	4.5	0	0	0	ns			
f <sub>CL (MAX)</sub>	Maximum CP frequency	4.5	30	24	20	MHz			

## 5.6 Switching Characteristics

Input  $t_r$ ,  $t_f$  = 6 ns. Unless otherwise specified, CL = 50pF [Parameter Measurement Information](#)

PARAMETER		V <sub>CC</sub> (V)	25°C			- 40 to 85°C		- 55 to 125°C		UNIT
			MIN	TYP	MAX	MIN	MAX	MIN	MAX	
<b>HC TYPES</b>										
t <sub>pd</sub>	Propagation delay time CP to QS <sub>1</sub>	2		150		190		225	ns	
		4.5		12 <sup>(3)</sup>	30		38	45		
		6		26		33		38		
t <sub>pd</sub>	CP to QS <sub>2</sub>	2		135		170		205	ns	
		4.5		11 <sup>(3)</sup>	27		34	41		
		6		23		29		35		
t <sub>pd</sub>	CP to Q <sub>n</sub>	2		195		245		295	ns	
		4.5		16 <sup>(3)</sup>	39		49	59		
		6		33		42		50		
t <sub>t</sub>	STR to Q <sub>n</sub>	2		180		225		270	ns	
		4.5		36		45		54		
		6		31		38		46		
t <sub>PZH</sub> , t <sub>PZL</sub>	Output enable to Q <sub>n</sub>	2		175		220		265	ns	
		4.5		35		44		53		
		6		30		37		45		
t <sub>PHZ</sub> , t <sub>PLZ</sub>	Output disable to Q <sub>n</sub>	2		125		155		190	ns	
		4.5		25		31		38		
		6		21		26		32		
t <sub>TLH</sub> , t <sub>THL</sub>	Output transition time	2		75		95		110	ns	
		4.5		15		19		22		
		6		13		16		19		
t <sub>PHZ</sub> , t <sub>PLZ</sub>	Output disabling time	5		10 <sup>(3)</sup>					ns	
f <sub>MAX</sub>	Maximum CP frequency	5		60 <sup>(3)</sup>					MHz	
C <sub>IN</sub>	Input capacitance			10		10		10	pF	
C <sub>PD</sub>	Power dissipation capacitance <sup>(1), (2)</sup>	5		90 <sup>(3)</sup>					pF	
C <sub>O</sub>	Tri-state output capacitance			15		15		15	pF	
<b>HCT TYPES</b>										
t <sub>PLH</sub> , t <sub>PHL</sub>	Propagation delay time CP to QS <sub>1</sub>	4.5		16 <sup>(3)</sup>	39					ns
	CP to QS <sub>2</sub>	4.5		15 <sup>(3)</sup>	36					ns
	CP to Q <sub>n</sub>	4.5		18 <sup>(3)</sup>	43					ns
	STR to Q <sub>n</sub>	4.5		39						ns
t <sub>PZH</sub> , t <sub>PZL</sub>	Output enable to Q <sub>n</sub>	4.5		35						ns
t <sub>PHZ</sub> , t <sub>PLZ</sub>	Output disable to Q <sub>n</sub>	4.5		35						ns
t <sub>TLH</sub> , t <sub>THL</sub>	Output transition time	4.5		15						ns
t <sub>PHZ</sub> , t <sub>PLZ</sub>	Output disabling time	5		14 <sup>(3)</sup>						ns
f <sub>MAX</sub>	Maximum CP frequency	5		60 <sup>(3)</sup>						MHz
C <sub>IN</sub>	Input capacitance			10		10		10		pF

Input  $t_r$ ,  $t_f$  = 6 ns. Unless otherwise specified,  $C_L$  = 50pF [Parameter Measurement Information](#)

PARAMETER		$V_{CC}$ (V)	25°C			- 40 to 85°C		- 55 to 125°C		UNIT
			MIN	TYP	MAX	MIN	MAX	MIN	MAX	
$C_{PD}$	Power dissipation capacitance <sup>(1), (2)</sup>	5	110 <sup>(3)</sup>							pF
$C_O$	Tri-state output capacitance				15		15		15	pF

(1)  $C_{PD}$  is used to determine the dynamic power consumption, per register.

(2)  $P_D = V_{CC}^2 f_i (C_{PD} + C_L)$  where  $f_i$  = Input frequency,  $C_L$  = Output load capacitance,  $V_{CC}$  = Supply voltage.

(3) Typical value tested at 5V,  $C_L$  = 15pF

## 6 Parameter Measurement Information

$t_{PD}$  is the maximum between  $t_{PLH}$  and  $t_{PHL}$

$t_t$  is the maximum between  $t_{TLH}$  and  $t_{THL}$

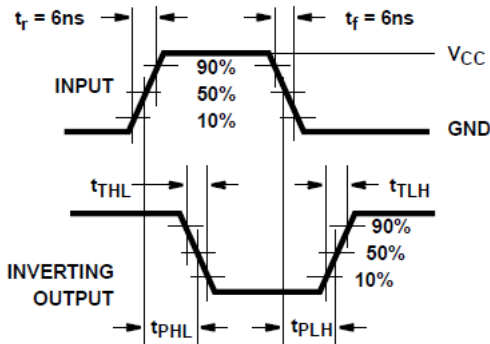


图 6-1. HC and HCT transition times and propagation delay times, combination logic

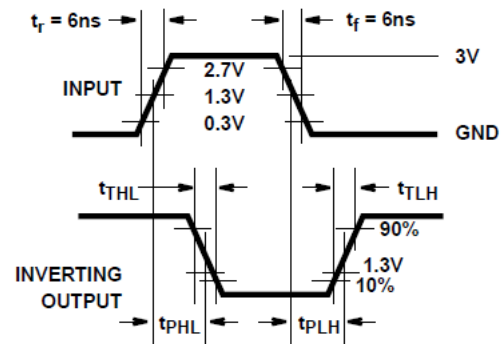


图 6-2. HCT transition times and propagation delay times, combination logic

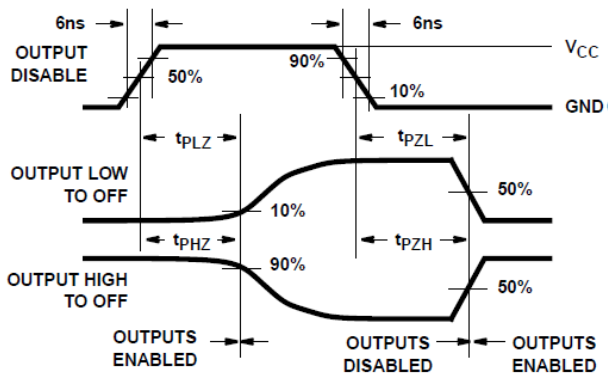


图 6-3. HC three-state propagation delay waveform

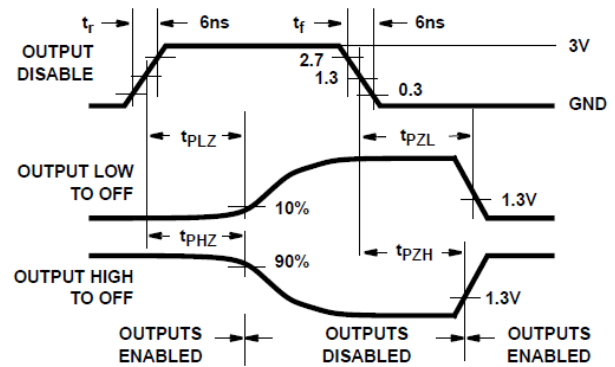
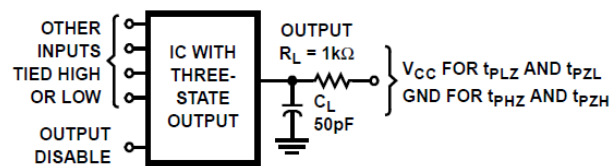


图 6-4. HCT three-state propagation delay waveform



NOTE: Open drain waveforms  $t_{PLZ}$  and  $t_{PZL}$  are the same as those for three-state shown on the left. The test circuit is Output  $R_L = 1k\Omega$  to  $V_{CC}$ ,  $C_L = 50pF$ .

图 6-5. HC and HCT three-state propagation delay test circuit

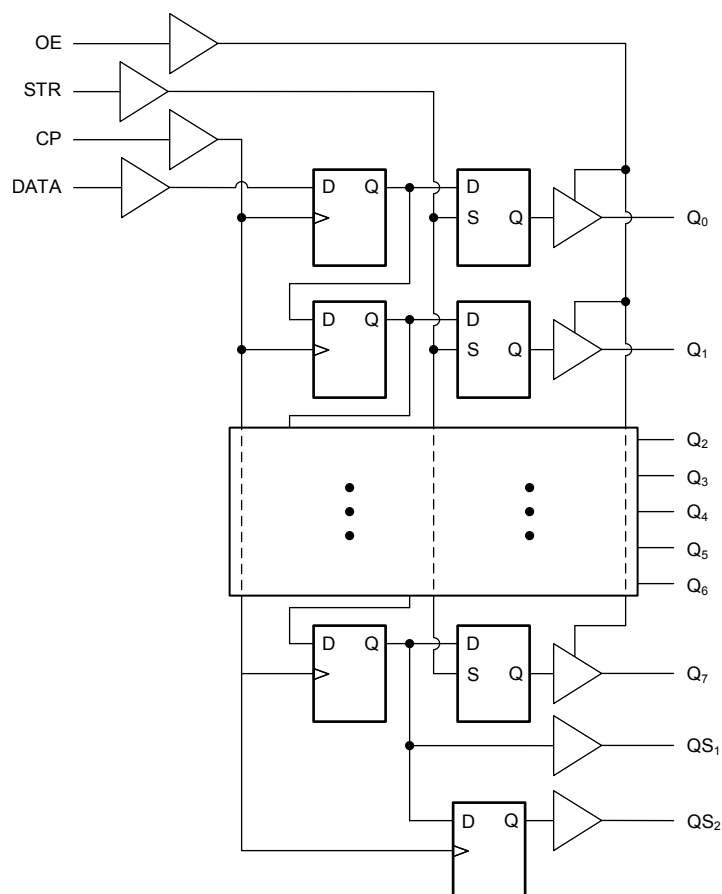
## 7 Detailed Description

### 7.1 Overview

The CDx4HC4094 and CD74HCT4094 are 8-stage serial shift registers having a storage latch associated with each stage for strobing data from the serial input to parallel buffered tri-state outputs. The parallel outputs may be connected directly to common bus lines. Data is shifted on positive clock transitions. The data in each shift register stage is transferred to the storage register when the Strobe input is high. Data in the storage register appears at the outputs whenever the Output-Enable signal is high.

Two serial outputs are available for cascading a number of these devices. Data is available at the QS<sub>1</sub> serial output terminal on positive clock edges to allow for high-speed operation in cascaded system in which the clock rise time is fast. The same serial information, available at the QS<sub>2</sub> terminal on the next negative clock edge, provides a means for cascading these devices when the clock rise time is slow.

### 7.2 Functional Block Diagram



### 7.3 Device Functional Modes

表 7-1. Truth Table

Inputs <sup>(2)</sup>				Parallel Outputs		Serial Outputs	
CP	OE	STR	D	Q <sub>0</sub>	Q <sub>n</sub>	QS <sub>1</sub> <sup>(1)</sup>	QS <sub>2</sub>
↑	L	X	X	Z	Z	Q <sub>6</sub>	NC
↓	L	X	X	Z	Z	NC	Q <sub>7</sub>
↑	H	L	X	NC	NC	Q <sub>6</sub>	NC
↑	H	H	L	L	Q <sub>n</sub> - 1	Q <sub>6</sub>	NC
↑	H	H	H	H	Q <sub>n</sub> - 1	Q <sub>6</sub>	NC
↓	H	H	H	NC	NC	NC	Q <sub>7</sub>

- (1) At the positive clock edge the information in the seventh register stage is transferred to the eighth register stage and QS<sub>1</sub> output.
- (2) H = High voltage level, L = Low voltage level, X = Don't care, NC = No charge, Z = High-impedance off-state, ↑ = Transition from low-to-high level, ↓ = Transition from high to low.

## 8 Power Supply Recommendations

The power supply can be any voltage between the minimum and maximum supply voltage rating located in the *Recommended Operating Conditions*. Each  $V_{CC}$  terminal should have a good bypass capacitor to prevent power disturbance. A 0.1- $\mu$ F capacitor is recommended for this device. It is acceptable to parallel multiple bypass caps to reject different frequencies of noise. The 0.1- $\mu$ F and 1- $\mu$ F capacitors are commonly used in parallel. The bypass capacitor should be installed as close to the power terminal as possible for best results.

## 9 Layout

### 9.1 Layout Guidelines

When using multiple-input and multiple-channel logic devices inputs must not ever be left floating. In many cases, functions or parts of functions of digital logic devices are unused; for example, when only two inputs of a triple-input AND gate are used or only 3 of the 4 buffer gates are used. Such unused input pins must not be left unconnected because the undefined voltages at the outside connections result in undefined operational states. All unused inputs of digital logic devices must be connected to a logic high or logic low voltage, as defined by the input voltage specifications, to prevent them from floating. The logic level that must be applied to any particular unused input depends on the function of the device. Generally, the inputs are tied to GND or  $V_{CC}$ , whichever makes more sense for the logic function or is more convenient.

## 10 Device and Documentation Support

TI offers an extensive line of development tools. Tools and software to evaluate the performance of the device, generate code, and develop solutions are listed below.

### 10.1 Documentation Support

#### 10.1.1 Related Documentation

### 10.2 接收文档更新通知

要接收文档更新通知，请导航至 [ti.com](http://ti.com) 上的器件产品文件夹。点击 [订阅更新](#) 进行注册，即可每周接收产品信息更改摘要。有关更改的详细信息，请查看任何已修订文档中包含的修订历史记录。

### 10.3 支持资源

TI E2E™ [支持论坛](#) 是工程师的重要参考资料，可直接从专家获得快速、经过验证的解答和设计帮助。搜索现有解答或提出自己的问题可获得所需的快速设计帮助。

链接的内容由各个贡献者“按原样”提供。这些内容并不构成 TI 技术规范，并且不一定反映 TI 的观点；请参阅 TI 的 [《使用条款》](#)。

### 10.4 Trademarks

TI E2E™ is a trademark of Texas Instruments.

所有商标均为其各自所有者的财产。

### 10.5 Electrostatic Discharge Caution



This integrated circuit can be damaged by ESD. Texas Instruments recommends that all integrated circuits be handled with appropriate precautions. Failure to observe proper handling and installation procedures can cause damage.

ESD damage can range from subtle performance degradation to complete device failure. Precision integrated circuits may be more susceptible to damage because very small parametric changes could cause the device not to meet its published specifications.

### 10.6 术语表

[TI 术语表](#) 本术语表列出并解释了术语、首字母缩略词和定义。

## 11 Mechanical, Packaging, and Orderable Information

The following pages include mechanical, packaging, and orderable information. This information is the most current data available for the designated devices. This data is subject to change without notice and revision of this document. For browser-based versions of this data sheet, refer to the left-hand navigation.

**PACKAGING INFORMATION**

Orderable part number	Status (1)	Material type (2)	Package   Pins	Package qty   Carrier	RoHS (3)	Lead finish/ Ball material (4)	MSL rating/ Peak reflow (5)	Op temp (°C)	Part marking (6)
<a href="#">CD54HC4094F3A</a>	Active	Production	CDIP (J)   16	25   TUBE	No	SNPB	N/A for Pkg Type	-55 to 125	CD54HC4094F3A
CD54HC4094F3A.A	Active	Production	CDIP (J)   16	25   TUBE	No	SNPB	N/A for Pkg Type	-55 to 125	CD54HC4094F3A
<a href="#">CD74HC4094DYYR</a>	Active	Production	SOT-23-THIN (DYY)   16	3000   LARGE T&R	Yes	NIPDAU	Level-1-260C-UNLIM	-55 to 125	HJ4094
CD74HC4094DYYR.A	Active	Production	SOT-23-THIN (DYY)   16	3000   LARGE T&R	Yes	NIPDAU	Level-1-260C-UNLIM	-40 to 125	HJ4094
<a href="#">CD74HC4094E</a>	Active	Production	PDIP (N)   16	25   TUBE	Yes	NIPDAU	N/A for Pkg Type	-55 to 125	CD74HC4094E
CD74HC4094E.A	Active	Production	PDIP (N)   16	25   TUBE	Yes	NIPDAU	N/A for Pkg Type	-55 to 125	CD74HC4094E
<a href="#">CD74HC4094M</a>	Obsolete	Production	SOIC (D)   16	-	-	Call TI	Call TI	-55 to 125	HC4094M
<a href="#">CD74HC4094M96</a>	Active	Production	SOIC (D)   16	2500   LARGE T&R	Yes	NIPDAU   SN	Level-1-260C-UNLIM	-55 to 125	HC4094M
CD74HC4094M96.A	Active	Production	SOIC (D)   16	2500   LARGE T&R	Yes	NIPDAU	Level-1-260C-UNLIM	-55 to 125	HC4094M
<a href="#">CD74HC4094M96G3</a>	Active	Production	SOIC (D)   16	2500   LARGE T&R	Yes	SN	Level-1-260C-UNLIM	-55 to 125	HC4094M
CD74HC4094M96G3.A	Active	Production	SOIC (D)   16	2500   LARGE T&R	Yes	SN	Level-1-260C-UNLIM	-55 to 125	HC4094M
<a href="#">CD74HC4094M96G4</a>	Active	Production	SOIC (D)   16	2500   LARGE T&R	Yes	NIPDAU	Level-1-260C-UNLIM	-55 to 125	HC4094M
CD74HC4094M96G4.A	Active	Production	SOIC (D)   16	2500   LARGE T&R	Yes	NIPDAU	Level-1-260C-UNLIM	-55 to 125	HC4094M
<a href="#">CD74HC4094MT</a>	Obsolete	Production	SOIC (D)   16	-	-	Call TI	Call TI	-55 to 125	HC4094M
<a href="#">CD74HC4094NSR</a>	Active	Production	SOP (NS)   16	2000   LARGE T&R	Yes	NIPDAU	Level-1-260C-UNLIM	-55 to 125	HC4094M
CD74HC4094NSR.A	Active	Production	SOP (NS)   16	2000   LARGE T&R	Yes	NIPDAU	Level-1-260C-UNLIM	-55 to 125	HC4094M
CD74HC4094NSRE4	Active	Production	SOP (NS)   16	2000   LARGE T&R	Yes	NIPDAU	Level-1-260C-UNLIM	-55 to 125	HC4094M
<a href="#">CD74HC4094PW</a>	Obsolete	Production	TSSOP (PW)   16	-	-	Call TI	Call TI	-55 to 125	HJ4094
<a href="#">CD74HC4094PWR</a>	Active	Production	TSSOP (PW)   16	2000   LARGE T&R	Yes	NIPDAU   SN	Level-1-260C-UNLIM	-55 to 125	HJ4094
CD74HC4094PWR.A	Active	Production	TSSOP (PW)   16	2000   LARGE T&R	Yes	NIPDAU	Level-1-260C-UNLIM	-55 to 125	HJ4094
CD74HC4094PWRE4	Active	Production	TSSOP (PW)   16	2000   LARGE T&R	Yes	NIPDAU	Level-1-260C-UNLIM	-55 to 125	HJ4094
<a href="#">CD74HC4094PWRG4</a>	Active	Production	TSSOP (PW)   16	2000   LARGE T&R	Yes	NIPDAU	Level-1-260C-UNLIM	-55 to 125	HJ4094
CD74HC4094PWRG4.A	Active	Production	TSSOP (PW)   16	2000   LARGE T&R	Yes	NIPDAU	Level-1-260C-UNLIM	-55 to 125	HJ4094
<a href="#">CD74HCT4094E</a>	Active	Production	PDIP (N)   16	25   TUBE	Yes	NIPDAU	N/A for Pkg Type	-55 to 125	CD74HCT4094E
CD74HCT4094E.A	Active	Production	PDIP (N)   16	25   TUBE	Yes	NIPDAU	N/A for Pkg Type	-55 to 125	CD74HCT4094E
CD74HCT4094EE4	Active	Production	PDIP (N)   16	25   TUBE	Yes	NIPDAU	N/A for Pkg Type	-55 to 125	CD74HCT4094E
<a href="#">CD74HCT4094M</a>	Obsolete	Production	SOIC (D)   16	-	-	Call TI	Call TI	-55 to 125	HCT4094M
<a href="#">CD74HCT4094M96</a>	Active	Production	SOIC (D)   16	2500   LARGE T&R	Yes	NIPDAU   SN	Level-1-260C-UNLIM	-55 to 125	HCT4094M

Orderable part number	Status (1)	Material type (2)	Package   Pins	Package qty   Carrier	RoHS (3)	Lead finish/ Ball material (4)	MSL rating/ Peak reflow (5)	Op temp (°C)	Part marking (6)
CD74HCT4094M96.A	Active	Production	SOIC (D)   16	2500   LARGE T&R	Yes	NIPDAU	Level-1-260C-UNLIM	-55 to 125	HCT4094M

(1) **Status:** For more details on status, see our [product life cycle](#).

(2) **Material type:** When designated, preproduction parts are prototypes/experimental devices, and are not yet approved or released for full production. Testing and final process, including without limitation quality assurance, reliability performance testing, and/or process qualification, may not yet be complete, and this item is subject to further changes or possible discontinuation. If available for ordering, purchases will be subject to an additional waiver at checkout, and are intended for early internal evaluation purposes only. These items are sold without warranties of any kind.

(3) **RoHS values:** Yes, No, RoHS Exempt. See the [TI RoHS Statement](#) for additional information and value definition.

(4) **Lead finish/Ball material:** Parts may have multiple material finish options. Finish options are separated by a vertical ruled line. Lead finish/Ball material values may wrap to two lines if the finish value exceeds the maximum column width.

(5) **MSL rating/Peak reflow:** The moisture sensitivity level ratings and peak solder (reflow) temperatures. In the event that a part has multiple moisture sensitivity ratings, only the lowest level per JEDEC standards is shown. Refer to the shipping label for the actual reflow temperature that will be used to mount the part to the printed circuit board.

(6) **Part marking:** There may be an additional marking, which relates to the logo, the lot trace code information, or the environmental category of the part.

Multiple part markings will be inside parentheses. Only one part marking contained in parentheses and separated by a "~" will appear on a part. If a line is indented then it is a continuation of the previous line and the two combined represent the entire part marking for that device.

**Important Information and Disclaimer:** The information provided on this page represents TI's knowledge and belief as of the date that it is provided. TI bases its knowledge and belief on information provided by third parties, and makes no representation or warranty as to the accuracy of such information. Efforts are underway to better integrate information from third parties. TI has taken and continues to take reasonable steps to provide representative and accurate information but may not have conducted destructive testing or chemical analysis on incoming materials and chemicals. TI and TI suppliers consider certain information to be proprietary, and thus CAS numbers and other limited information may not be available for release.

In no event shall TI's liability arising out of such information exceed the total purchase price of the TI part(s) at issue in this document sold by TI to Customer on an annual basis.

**OTHER QUALIFIED VERSIONS OF CD54HC4094, CD74HC4094 :**

- Catalog : [CD74HC4094](#)
- Military : [CD54HC4094](#)

NOTE: Qualified Version Definitions:

- Catalog - TI's standard catalog product
- Military - QML certified for Military and Defense Applications

**TAPE AND REEL INFORMATION**

**QUADRANT ASSIGNMENTS FOR PIN 1 ORIENTATION IN TAPE**

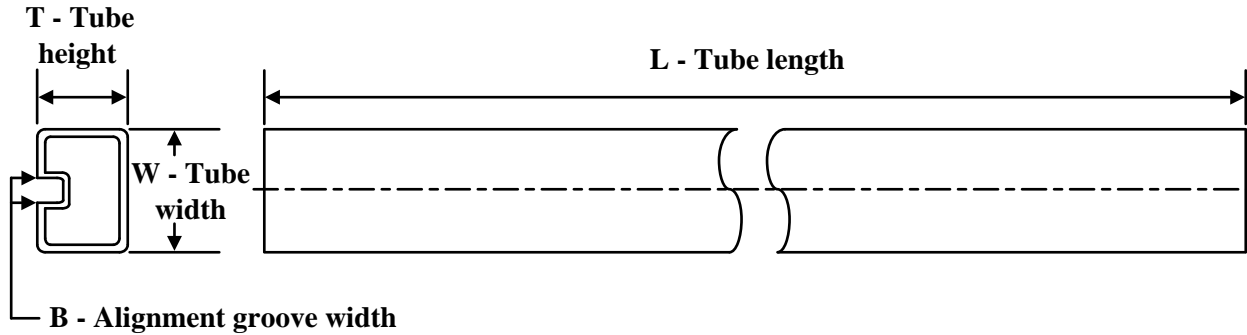

\*All dimensions are nominal

Device	Package Type	Package Drawing	Pins	SPQ	Reel Diameter (mm)	Reel Width W1 (mm)	A0 (mm)	B0 (mm)	K0 (mm)	P1 (mm)	W (mm)	Pin1 Quadrant
CD74HC4094DYYR	SOT-23-THIN	DYY	16	3000	330.0	12.4	4.8	3.6	1.6	8.0	12.0	Q3
CD74HC4094M96	SOIC	D	16	2500	330.0	16.4	6.5	10.3	2.1	8.0	16.0	Q1
CD74HC4094M96	SOIC	D	16	2500	330.0	16.4	6.5	10.3	2.1	8.0	16.0	Q1
CD74HC4094M96G3	SOIC	D	16	2500	330.0	16.8	6.5	10.3	2.1	8.0	16.0	Q1
CD74HC4094M96G4	SOIC	D	16	2500	330.0	16.4	6.5	10.3	2.1	8.0	16.0	Q1
CD74HC4094NSR	SOP	NS	16	2000	330.0	16.4	8.45	10.55	2.5	12.0	16.2	Q1
CD74HC4094NSR	SOP	NS	16	2000	330.0	16.4	8.1	10.4	2.5	12.0	16.0	Q1
CD74HC4094PWR	TSSOP	PW	16	2000	330.0	12.4	6.9	5.3	1.6	8.0	12.0	Q1
CD74HC4094PWR	TSSOP	PW	16	2000	330.0	12.4	6.9	5.6	1.6	8.0	12.0	Q1
CD74HC4094PWR	TSSOP	PW	16	2000	330.0	12.4	6.9	5.6	1.6	8.0	12.0	Q1
CD74HC4094PWR	TSSOP	PW	16	2000	330.0	12.4	6.9	5.6	1.6	8.0	12.0	Q1
CD74HC4094PWRG4	TSSOP	PW	16	2000	330.0	12.4	6.9	5.6	1.6	8.0	12.0	Q1
CD74HCT4094M96	SOIC	D	16	2500	330.0	16.4	6.5	10.3	2.1	8.0	16.0	Q1

**TAPE AND REEL BOX DIMENSIONS**


\*All dimensions are nominal

Device	Package Type	Package Drawing	Pins	SPQ	Length (mm)	Width (mm)	Height (mm)
CD74HC4094DYYR	SOT-23-THIN	DYY	16	3000	336.6	336.6	31.8
CD74HC4094M96	SOIC	D	16	2500	340.5	336.1	32.0
CD74HC4094M96	SOIC	D	16	2500	340.5	336.1	32.0
CD74HC4094M96G3	SOIC	D	16	2500	364.0	364.0	27.0
CD74HC4094M96G4	SOIC	D	16	2500	353.0	353.0	32.0
CD74HC4094NSR	SOP	NS	16	2000	353.0	353.0	32.0
CD74HC4094NSR	SOP	NS	16	2000	353.0	353.0	32.0
CD74HC4094PWR	TSSOP	PW	16	2000	367.0	367.0	35.0
CD74HC4094PWR	TSSOP	PW	16	2000	353.0	353.0	32.0
CD74HC4094PWR	TSSOP	PW	16	2000	353.0	353.0	32.0
CD74HC4094PWR	TSSOP	PW	16	2000	356.0	356.0	35.0
CD74HC4094PWRG4	TSSOP	PW	16	2000	353.0	353.0	32.0
CD74HCT4094M96	SOIC	D	16	2500	353.0	353.0	32.0

**TUBE**


\*All dimensions are nominal

Device	Package Name	Package Type	Pins	SPQ	L (mm)	W (mm)	T (μm)	B (mm)
CD74HC4094E	N	PDIP	16	25	506	13.97	11230	4.32
CD74HC4094E	N	PDIP	16	25	506	13.97	11230	4.32
CD74HC4094E.A	N	PDIP	16	25	506	13.97	11230	4.32
CD74HC4094E.A	N	PDIP	16	25	506	13.97	11230	4.32
CD74HCT4094E	N	PDIP	16	25	506	13.97	11230	4.32
CD74HCT4094E	N	PDIP	16	25	506	13.97	11230	4.32
CD74HCT4094E.A	N	PDIP	16	25	506	13.97	11230	4.32
CD74HCT4094E.A	N	PDIP	16	25	506	13.97	11230	4.32
CD74HCT4094EE4	N	PDIP	16	25	506	13.97	11230	4.32
CD74HCT4094EE4	N	PDIP	16	25	506	13.97	11230	4.32

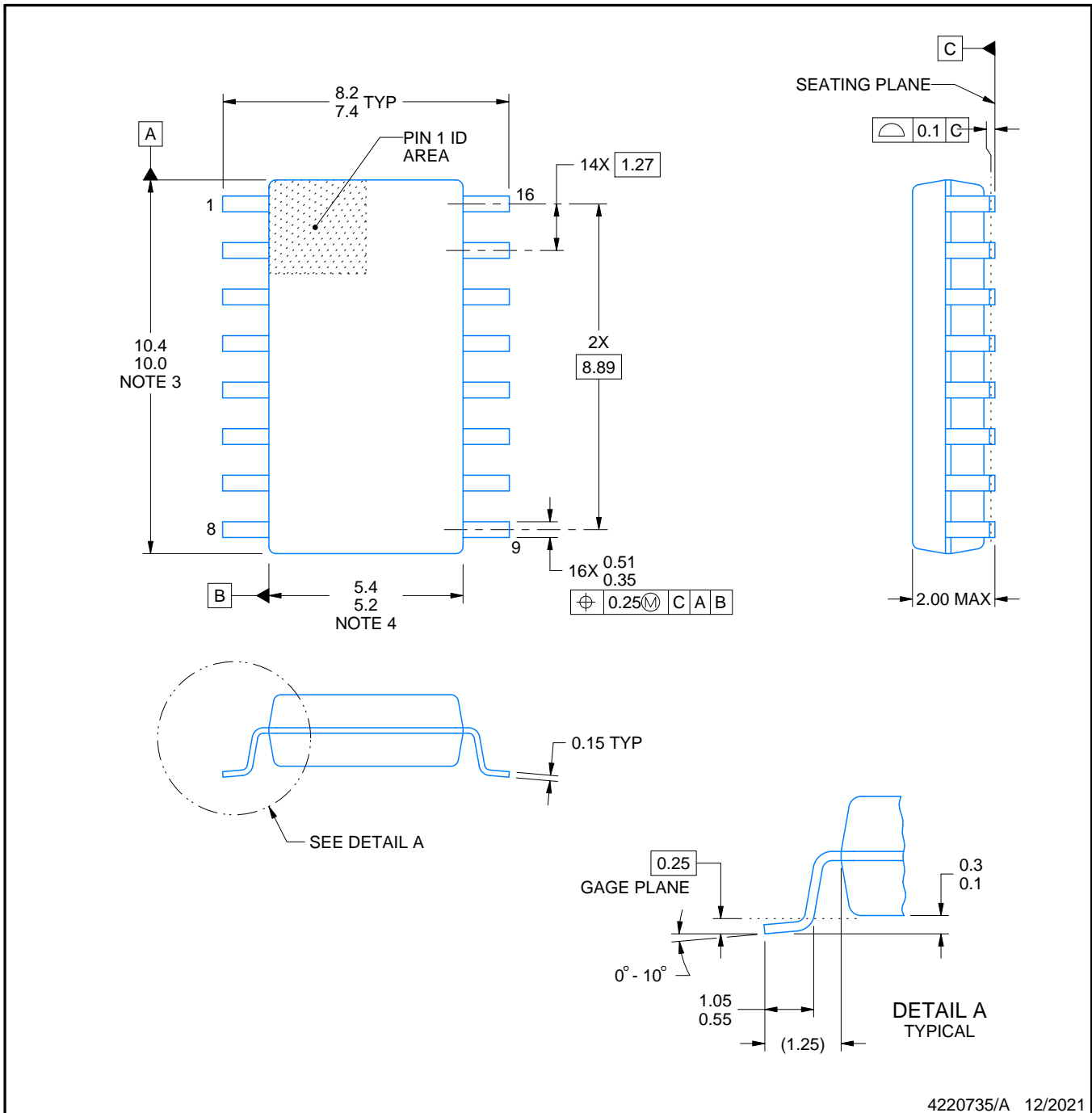


# PACKAGE OUTLINE

## NS0016A

### SOP - 2.00 mm max height

SOP



4220735/A 12/2021

#### NOTES:

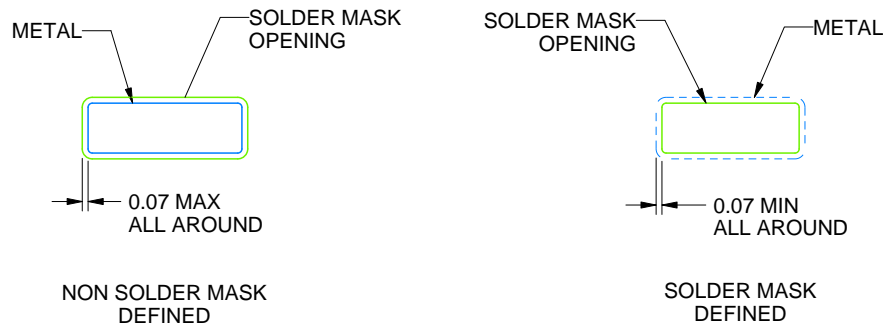
- All linear dimensions are in millimeters. Dimensions in parenthesis are for reference only. Dimensioning and tolerancing per ASME Y14.5M.
- This drawing is subject to change without notice.
- This dimension does not include mold flash, protrusions, or gate burrs. Mold flash, protrusions, or gate burrs shall not exceed 0.15 mm, per side.
- This dimension does not include interlead flash. Interlead flash shall not exceed 0.25 mm, per side.

# EXAMPLE BOARD LAYOUT

NS0016A

SOP - 2.00 mm max height

SOP



SOLDER MASK DETAILS

4220735/A 12/2021

NOTES: (continued)

5. Publication IPC-7351 may have alternate designs.

6. Solder mask tolerances between and around signal pads can vary based on board fabrication site.

# EXAMPLE STENCIL DESIGN

NS0016A

SOP - 2.00 mm max height

SOP



SOLDER PASTE EXAMPLE  
BASED ON 0.125 mm THICK STENCIL  
SCALE:7X

4220735/A 12/2021

NOTES: (continued)

7. Laser cutting apertures with trapezoidal walls and rounded corners may offer better paste release. IPC-7525 may have alternate design recommendations.
8. Board assembly site may have different recommendations for stencil design.

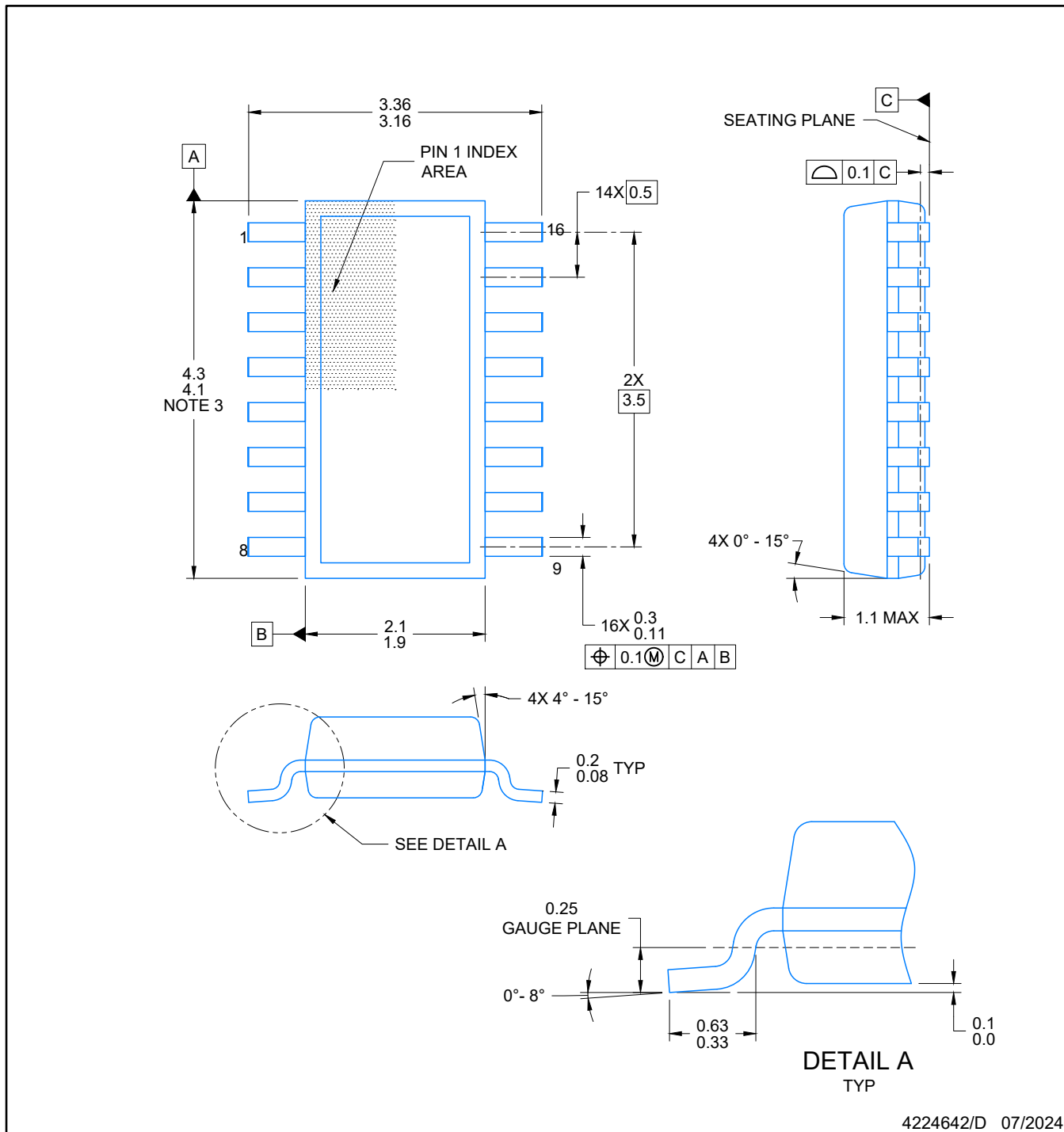
D (R-PDSO-G16)

PLASTIC SMALL OUTLINE



4040047-6/M 06/11

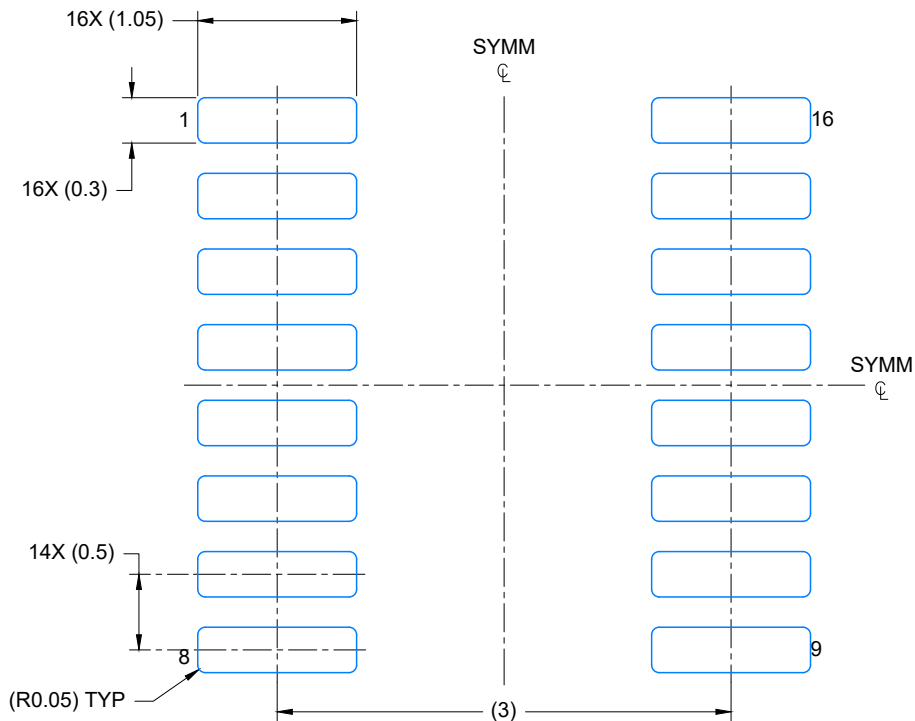
- NOTES:
- A. All linear dimensions are in inches (millimeters).
  - B. This drawing is subject to change without notice.
  -  C. Body length does not include mold flash, protrusions, or gate burrs. Mold flash, protrusions, or gate burrs shall not exceed 0.006 (0,15) each side.
  -  D. Body width does not include interlead flash. Interlead flash shall not exceed 0.017 (0,43) each side.
  - E. Reference JEDEC MS-012 variation AC.



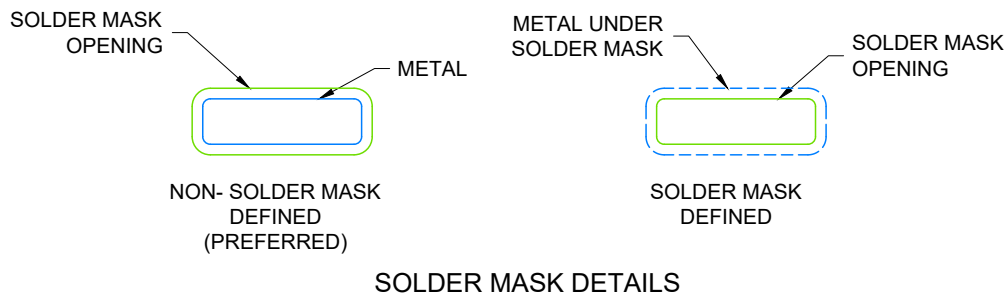
4224642/D 07/2024

NOTES:

1. All linear dimensions are in millimeters. Any dimensions in parenthesis are for reference only. Dimensioning and tolerancing per ASME Y14.5M.
2. This drawing is subject to change without notice.
3. This dimension does not include mold flash, protrusions, or gate burrs. Mold flash, protrusions, or gate burrs shall not exceed 0.15 per side.
4. This dimension does not include interlead flash. Interlead flash shall not exceed 0.50 per side.
5. Reference JEDEC Registration MO-345, Variation AA



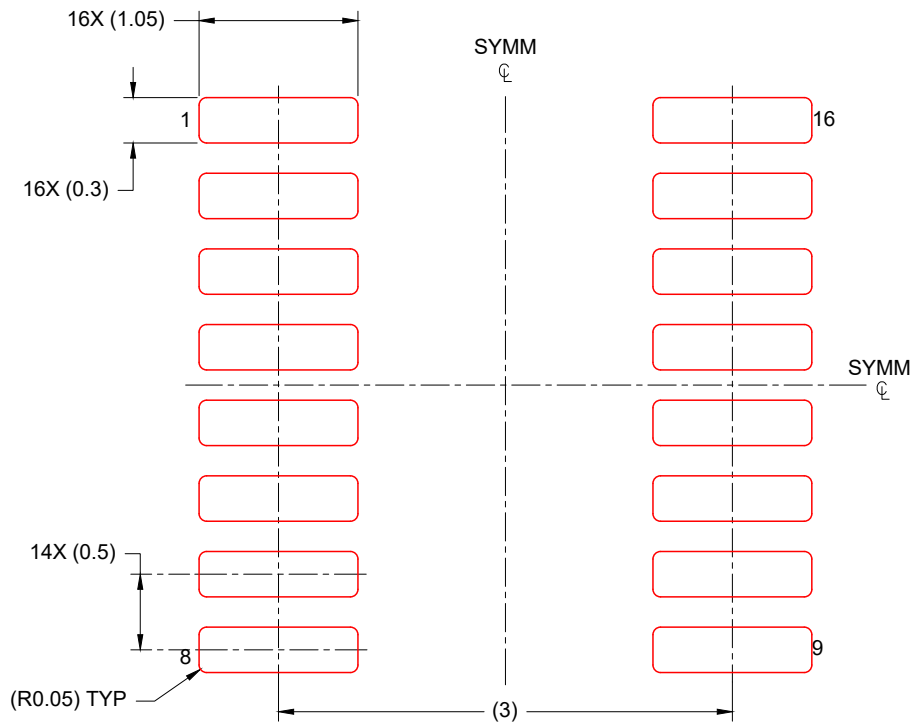
LAND PATTERN EXAMPLE  
EXPOSED METAL SHOWN  
SCALE: 20X



4224642/D 07/2024

NOTES: (continued)

- 6. Publication IPC-7351 may have alternate designs.
- 7. Solder mask tolerances between and around signal pads can vary based on board fabrication site.



SOLDER PASTE EXAMPLE  
BASED ON 0.125 mm THICK STENCIL  
SCALE: 20X

4224642/D 07/2024

NOTES: (continued)

- 8. Laser cutting apertures with trapezoidal walls and rounded corners may offer better paste release. IPC-7525 may have alternate design recommendations.
- 9. Board assembly site may have different recommendations for stencil design.

J (R-GDIP-T\*\*)

14 LEADS SHOWN

CERAMIC DUAL IN-LINE PACKAGE

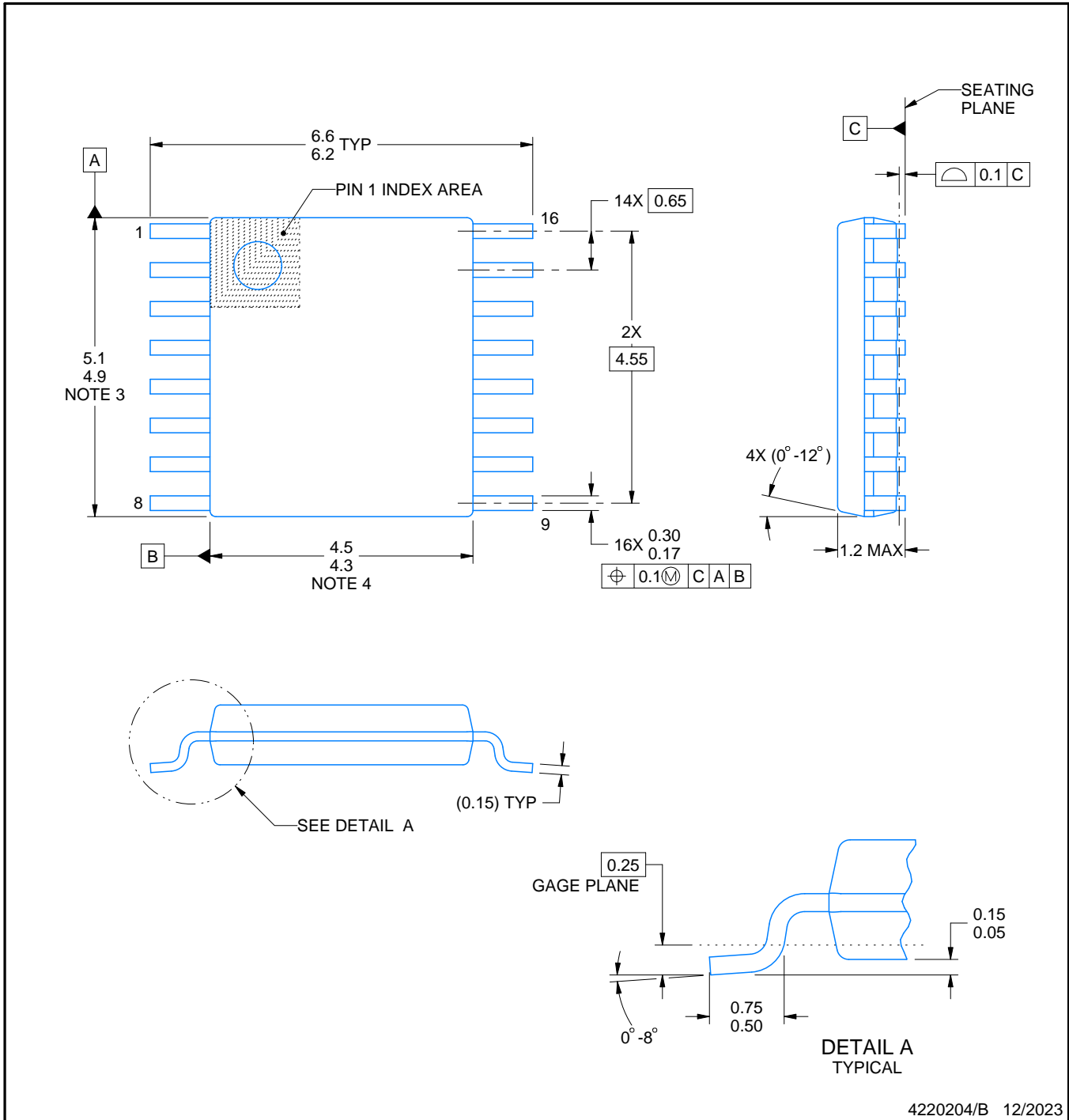


DIM \ PINS **	14	16	18	20
A	0.300 (7,62) BSC	0.300 (7,62) BSC	0.300 (7,62) BSC	0.300 (7,62) BSC
B MAX	0.785 (19,94)	.840 (21,34)	0.960 (24,38)	1.060 (26,92)
B MIN	—	—	—	—
C MAX	0.300 (7,62)	0.300 (7,62)	0.310 (7,87)	0.300 (7,62)
C MIN	0.245 (6,22)	0.245 (6,22)	0.220 (5,59)	0.245 (6,22)



4040083/F 03/03

- NOTES:
- All linear dimensions are in inches (millimeters).
  - This drawing is subject to change without notice.
  - This package is hermetically sealed with a ceramic lid using glass frit.
  - Index point is provided on cap for terminal identification only on press ceramic glass frit seal only.
  - Falls within MIL STD 1835 GDIP1-T14, GDIP1-T16, GDIP1-T18 and GDIP1-T20.



4220204/B 12/2023

NOTES:

1. All linear dimensions are in millimeters. Any dimensions in parenthesis are for reference only. Dimensioning and tolerancing per ASME Y14.5M.
2. This drawing is subject to change without notice.
3. This dimension does not include mold flash, protrusions, or gate burrs. Mold flash, protrusions, or gate burrs shall not exceed 0.15 mm per side.
4. This dimension does not include interlead flash. Interlead flash shall not exceed 0.25 mm per side.
5. Reference JEDEC registration MO-153.

# EXAMPLE BOARD LAYOUT

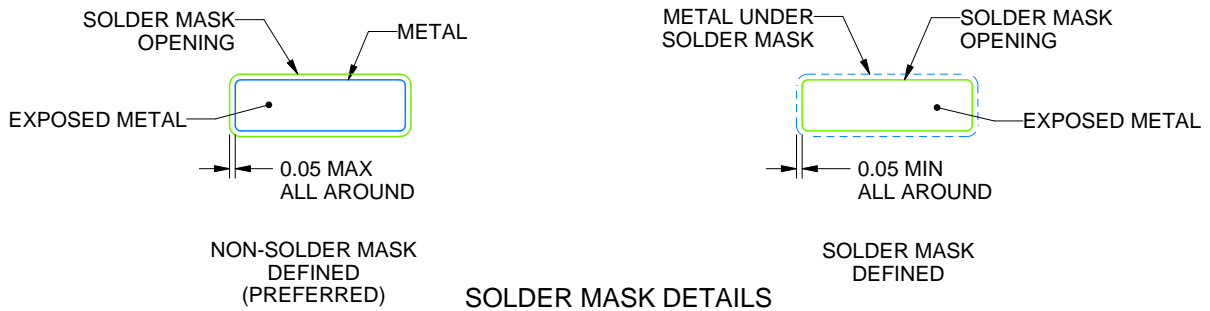
PW0016A

TSSOP - 1.2 mm max height

SMALL OUTLINE PACKAGE



LAND PATTERN EXAMPLE  
EXPOSED METAL SHOWN  
SCALE: 10X



SOLDER MASK DETAILS

4220204/B 12/2023

NOTES: (continued)

6. Publication IPC-7351 may have alternate designs.
7. Solder mask tolerances between and around signal pads can vary based on board fabrication site.

# EXAMPLE STENCIL DESIGN

PW0016A

TSSOP - 1.2 mm max height

SMALL OUTLINE PACKAGE



SOLDER PASTE EXAMPLE  
BASED ON 0.125 mm THICK STENCIL  
SCALE: 10X

4220204/B 12/2023

NOTES: (continued)

8. Laser cutting apertures with trapezoidal walls and rounded corners may offer better paste release. IPC-7525 may have alternate design recommendations.
9. Board assembly site may have different recommendations for stencil design.

N (R-PDIP-T\*\*)

PLASTIC DUAL-IN-LINE PACKAGE

16 PINS SHOWN



- NOTES:
- A. All linear dimensions are in inches (millimeters).
  - B. This drawing is subject to change without notice.
  - Falls within JEDEC MS-001, except 18 and 20 pin minimum body length (Dim A).
  - The 20 pin end lead shoulder width is a vendor option, either half or full width.

## 重要通知和免责声明

TI“按原样”提供技术和可靠性数据（包括数据表）、设计资源（包括参考设计）、应用或其他设计建议、网络工具、安全信息和其他资源，不保证没有瑕疵且不做任何明示或暗示的担保，包括但不限于对适销性、与某特定用途的适用性或不侵犯任何第三方知识产权的暗示担保。

这些资源可供使用 TI 产品进行设计的熟练开发人员使用。您将自行承担以下全部责任：(1) 针对您的应用选择合适的 TI 产品，(2) 设计、验证并测试您的应用，(3) 确保您的应用满足相应标准以及任何其他安全、安保法规或其他要求。

这些资源如有变更，恕不另行通知。TI 授权您仅可将这些资源用于研发本资源所述的 TI 产品的相关应用。严禁以其他方式对这些资源进行复制或展示。您无权使用任何其他 TI 知识产权或任何第三方知识产权。对于因您对这些资源的使用而对 TI 及其代表造成的任何索赔、损害、成本、损失和债务，您将全额赔偿，TI 对此概不负责。

TI 提供的产品受 [TI 销售条款](#)、[TI 通用质量指南](#) 或 [ti.com](#) 上其他适用条款或 TI 产品随附的其他适用条款的约束。TI 提供这些资源并不会扩展或以其他方式更改 TI 针对 TI 产品发布的适用的担保或担保免责声明。除非德州仪器 (TI) 明确将某产品指定为定制产品或客户特定产品，否则其产品均为按确定价格收入目录的标准通用器件。

TI 反对并拒绝您可能提出的任何其他或不同的条款。

版权所有 © 2026，德州仪器 (TI) 公司

最后更新日期：2025 年 10 月