



## 16-BIT 250-KSPS SAMPLING CMOS ANALOG-TO-DIGITAL CONVERTER

### FEATURES

- 105dB SFDR at 250-kHz Sample Rate
- Standard  $\pm 10$ -V Input Range
- $\pm 1.5$  LSB Max INL
- $\pm 1$  LSB Max DNL, 16-Bits No Missing Codes
- $\pm 2$  mV Max Bipolar Zero Error With  $\pm 0.4$  PPM/ $^{\circ}$ C Drift
- $\pm 0.1\%$  FSR Max Full-Scale Error With  $\pm 2$  PPM/ $^{\circ}$ C Drift
- Single 5-V Supply Operation
- Pin-Compatible With ADS7805 (Low Speed) and 12-Bit ADS8504/7804
- Uses Internal or External Reference
- Full Parallel Data Output
- 70-mW Typ Power Dissipation at 250 KSPS
- 28-Pin SSOP and SOIC Packages

### APPLICATIONS

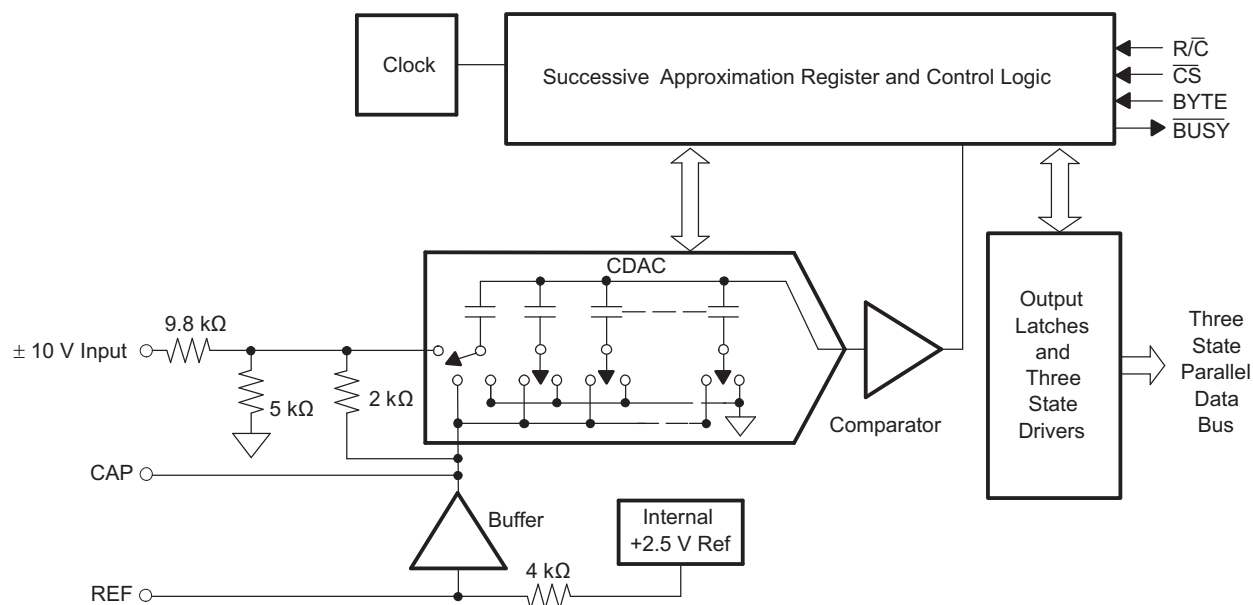
- Industrial Process Control
- Data Acquisition Systems
- Digital Signal Processing
- Medical Equipment
- Instrumentation

### DESCRIPTION

The ADS8505 is a complete 16-bit sampling A/D converter using state-of-the-art CMOS structures. It contains a complete 16-bit, capacitor-based, SAR A/D with S/H, reference, clock, interface for microprocessor use, and 3-state output drivers.

The ADS8505 is specified at a 250-kHz sampling rate over the full temperature range. Precision resistors provide an industry standard  $\pm 10$ -V input range, while the innovative design allows operation from a single +5-V supply, with power dissipation under 100 mW.

The ADS8505 is available in 28-pin SOIC and 28-pin SSOP packages, both fully specified for operation over the industrial  $-40^{\circ}$ C to  $85^{\circ}$ C temperature range.



Please be aware that an important notice concerning availability, standard warranty, and use in critical applications of Texas Instruments semiconductor products and disclaimers thereto appears at the end of this data sheet.



These devices have limited built-in ESD protection. The leads should be shorted together or the device placed in conductive foam during storage or handling to prevent electrostatic damage to the MOS gates.

**PACKAGE/ORDERING INFORMATION<sup>(1)</sup>**

| PRODUCT   | MINIMUM RELATIVE ACCURACY (LSB) | NO MISSING CODE | MINIMUM SINAD (dB) | SPECIFICATION TEMPERATURE RANGE | PACKAGE LEAD | PACKAGE DESIGNATOR | ORDERING NUMBER | TRANSPORT MEDIA, QTY |
|-----------|---------------------------------|-----------------|--------------------|---------------------------------|--------------|--------------------|-----------------|----------------------|
| ADS8505IB | ±1.5                            | 16              | 86                 | -40°C to 85°C                   | SO-28        | DW                 | ADS8505IBDW     | Tube, 20             |
|           |                                 |                 |                    |                                 |              |                    | ADS8505IBDWR    | Tape and Reel, 1000  |
|           |                                 |                 |                    |                                 | SSOP-28      | DB                 | ADS8505IBDB     | Tube, 50             |
|           |                                 |                 |                    |                                 |              |                    | ADS8505IBDBR    | Tape and Reel, 2000  |
| ADS8505I  | ±4                              | 15              | 83                 | -40°C to 85°C                   | SO-28        | DW                 | ADS8505IDW      | Tube, 20             |
|           |                                 |                 |                    |                                 |              |                    | ADS8505IDWR     | Tape and Reel, 1000  |
|           |                                 |                 |                    |                                 | SSOP-28      | DB                 | ADS8505IDB      | Tube, 50             |
|           |                                 |                 |                    |                                 |              |                    | ADS8505IDBR     | Tape and Reel, 2000  |

(1) For the most current package and ordering information, see the Package Option Addendum at the end of this document, or see the TI website at [www.ti.com](http://www.ti.com).

**ABSOLUTE MAXIMUM RATINGS<sup>(1)</sup>**

over operating free-air temperature range (unless otherwise noted)<sup>(2)</sup>

|                                   |                                      | UNIT   |
|-----------------------------------|--------------------------------------|--|
| Analog inputs                     | V <sub>IN</sub>                      | ±25V   |
|                                   | REF                                  | +V <sub>ANA</sub> + 0.3 V to AGND2 – 0.3 V                     |
|                                   | CAP                                  | Indefinite short to AGND2, momentary short to V <sub>ANA</sub> |
| Ground voltage differences        | DGND, AGND1, AGND2                   | ±0.3 V   |
|                                   | V <sub>ANA</sub>                     | 6 V  |
|                                   | V <sub>DIG</sub> to V <sub>ANA</sub> | 0.3 V  |
|                                   | V <sub>DIG</sub>                     | 6 V  |
| Digital inputs                    |                                      | -0.3 V to +V <sub>DIG</sub> + 0.3 V                            |
| Maximum junction temperature      |                                      | 165°C  |
| Internal power dissipation        |                                      | 825 mW   |
| Lead temperature (soldering, 10s) |                                      | 300°C  |

- (1) Stresses beyond those listed under "absolute maximum ratings" may cause permanent damage to the device. These are stress ratings only, and functional operation of the device at these or any other conditions beyond those indicated under "recommended operating conditions" is not implied. Exposure to absolute-maximum-rated conditions for extended periods may affect device reliability.
- (2) All voltage values are with respect to network ground terminal.

**ELECTRICAL CHARACTERISTICS**

T<sub>A</sub> = -40°C to 85°C, f<sub>s</sub> = 250 kHz, V<sub>DIG</sub> = V<sub>ANA</sub> = 5 V, using internal reference (unless otherwise noted)

| PARAMETER               | TEST CONDITIONS     | ADS8505I |      |     | ADS8505IB |      |     | UNIT |
|-------------------------|---------------------|----------|------|-----|-----------|------|-----|------|
|                         |                     | MIN      | TYP  | MAX | MIN       | TYP  | MAX |      |
| Resolution              |                     |          |      | 16  |           |      | 16  | Bits |
| <b>ANALOG INPUT</b>     |                     |          |      |     |           |      |     |      |
| Voltage range           |                     |          | ±10  |     |           | ±10  |     | V    |
| Impedance               |                     |          | 11.5 |     |           | 11.5 |     | kΩ   |
| Capacitance             |                     |          | 50   |     |           | 50   |     | pF   |
| <b>THROUGHPUT SPEED</b> |                     |          |      |     |           |      |     |      |
| Conversion cycle        | Acquire and convert |          |      | 4   |           |      | 4   | μs   |
| Throughput rate         |                     | 250      |      |     | 250       |      |     | kHz  |

## ELECTRICAL CHARACTERISTICS (continued)

$T_A = -40^\circ\text{C}$  to  $85^\circ\text{C}$ ,  $f_s = 250\text{ kHz}$ ,  $V_{\text{DIG}} = V_{\text{ANA}} = 5\text{ V}$ , using internal reference (unless otherwise noted)

| PARAMETER                |  | TEST CONDITIONS  | ADS8505I |      |                                 | ADS8505IB |       |                                 | UNIT               |
|--------------------------|--|--|----------|------|---------------------------------|-----------|-------|---------------------------------|--------------------|
|                          |  |  | MIN      | TYP  | MAX                             | MIN       | TYP   | MAX                             |                    |
| <b>DC ACCURACY</b>       |  |  |          |      |                                 |           |       |                                 |                    |
| INL                      | Integral linearity error   |  | -4       |      | 4                               | -1.5      |       | 1.5                             | LSB <sup>(1)</sup> |
| DNL                      | Differential linearity error   |  | -2       |      | 2                               | -1        |       | 1                               | LSB <sup>(1)</sup> |
|                          | No missing codes   |  | 15       |      |                                 | 16        |       |                                 | Bits               |
|                          | Transition noise <sup>(2)</sup>  |  |          | 0.77 |                                 |           | 0.77  |                                 | LSB                |
|                          | Full-scale error <sup>(3)(4)</sup>   | Int. ref.  | -0.5     |      | 0.5                             | -0.25     |       | 0.25                            | %FSR               |
|                          | Full-scale error drift   | Int. ref.  |          | ±7   |                                 |           | ±7    |                                 | ppm/°C             |
|                          | Full-scale error <sup>(3)(4)</sup>   | Ext. 2.5-V ref.  | -0.25    |      | 0.25                            | -0.1      | ±0.01 | 0.1                             | %FSR               |
|                          | Full-scale error drift   | Ext. 2.5-V ref.  |          | ±2   |                                 |           | ±2    |                                 | ppm/°C             |
|                          | Bipolar zero error <sup>(3)</sup>  |  | -5       |      | 5                               | -2        |       | 2                               | mV                 |
|                          | Bipolar zero error drift   |  |          | ±0.4 |                                 |           | ±0.4  |                                 | ppm/°C             |
|                          | Power supply sensitivity<br>( $V_{\text{DIG}} = V_{\text{ANA}} = V_{\text{D}}$ ) | +4.75 V < $V_{\text{D}}$ < +5.25 V                               | -8       |      | 8                               | -8        |       | 8                               | LSB                |
| <b>AC ACCURACY</b>       |  |  |          |      |                                 |           |       |                                 |                    |
| SFDR                     | Spurious free dynamic range  | $f_i = 20\text{ kHz}$  | 92       | 98   |                                 | 96        | 105   |                                 | dB <sup>(5)</sup>  |
| THD                      | Total harmonic distortion  | $f_i = 20\text{ kHz}$  |          | -98  | -92                             |           | -103  | -96                             | dB                 |
| SINAD                    | Signal-to-(noise + distortion)   | $f_i = 20\text{ kHz}$  | 83       | 88   |                                 | 86        | 88    |                                 | dB                 |
|                          |  | -60-dB Input   |          | 30   |                                 |           | 32    |                                 | dB                 |
| SNR                      | Signal-to-noise ratio  | $f_i = 20\text{ kHz}$  | 83       | 88   |                                 | 86        | 88    |                                 | dB                 |
|                          | Full-power bandwidth <sup>(6)</sup>  |  |          | 500  |                                 |           | 500   |                                 | kHz                |
| <b>SAMPLING DYNAMICS</b> |  |  |          |      |                                 |           |       |                                 |                    |
|                          | Aperture delay   |  |          | 5    |                                 |           | 5     |                                 | ns                 |
|                          | Transient response   | FS Step  |          |      | 2                               |           |       | 2                               | μs                 |
|                          | Overvoltage recovery <sup>(7)</sup>  |  |          | 150  |                                 |           | 150   |                                 | ns                 |
| <b>REFERENCE</b>         |  |  |          |      |                                 |           |       |                                 |                    |
|                          | Internal reference voltage   |  | 2.48     | 2.5  | 2.52                            | 2.48      | 2.5   | 2.52                            | V                  |
|                          | Internal reference source current (must use external buffer)                     |  |          | 1    |                                 |           | 1     |                                 | μA                 |
|                          | Internal reference drift   |  |          | 8    |                                 |           | 8     |                                 | ppm/°C             |
|                          | External reference voltage range for specified linearity                         |  | 2.3      | 2.5  | 2.7                             | 2.3       | 2.5   | 2.7                             | V                  |
|                          | External reference current drain   | Ext. 2.5-V ref.  |          |      | 100                             |           |       | 100                             | μA                 |
| <b>DIGITAL INPUTS</b>    |  |  |          |      |                                 |           |       |                                 |                    |
|                          | Logic levels   |  |          |      |                                 |           |       |                                 |                    |
| $V_{\text{IL}}$          | Low-level input voltage  |  | -0.3     |      | 0.8                             | -0.3      |       | 0.8                             | V                  |
| $V_{\text{IH}}$          | High-level input voltage   |  | 2.0      |      | $V_{\text{DIG}} + 0.3\text{ V}$ | 2.0       |       | $V_{\text{DIG}} + 0.3\text{ V}$ | V                  |
| $I_{\text{IL}}$          | Low-level input current  |  |          |      | ±10                             |           |       | ±10                             | μA                 |
| $I_{\text{IH}}$          | High-level input current   |  |          |      | ±10                             |           |       | ±10                             | μA                 |
| <b>DIGITAL OUTPUTS</b>   |  |  |          |      |                                 |           |       |                                 |                    |
|                          | Data format (parallel 16-bits)   |  |          |      |                                 |           |       |                                 |                    |
|                          | Data coding (binary 2's complement)  |  |          |      |                                 |           |       |                                 |                    |
| $V_{\text{OL}}$          | Low-level output voltage   | $I_{\text{SINK}} = 1.6\text{ mA}$                                |          |      | 0.4                             |           |       | 0.4                             | V                  |
| $V_{\text{OH}}$          | High-level output voltage  | $I_{\text{SOURCE}} = 500\text{ mA}$                              | 4        |      |                                 | 4         |       |                                 | V                  |
|                          | Leakage current  | Hi-Z state,<br>$V_{\text{OUT}} = 0\text{ V}$ to $V_{\text{DIG}}$ |          |      | ±5                              |           |       | ±5                              | μA                 |
|                          | Output capacitance   | Hi-Z state   |          |      | 15                              |           |       | 15                              | pF                 |

- (1) LSB means least significant bit. For the 16-bit, ±10-V input ADS8505, one LSB is 305 μV.
- (2) Typical rms noise at worst case transitions and temperatures.
- (3) As measured with fixed resistors shown in Figure 27. Adjustable to zero with external potentiometer.
- (4) Full-scale error is the worst case of -full-scale or +full-scale deviation from ideal first and last code transitions, divided by the transition voltage (not divided by the full-scale range) and includes the effect of offset error.
- (5) All specifications in dB are referred to a full-scale ±10-V input.
- (6) Full-power bandwidth is defined as the full-scale input frequency at which signal-to-(noise + distortion) degrades to 60 dB, or 10 bits of accuracy.
- (7) Recovers to specified performance after 2 x FS input overvoltage.

**ELECTRICAL CHARACTERISTICS (continued)**

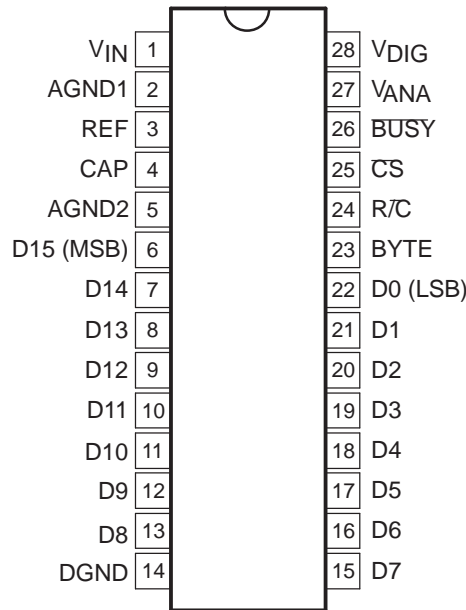
$T_A = -40^{\circ}\text{C}$  to  $85^{\circ}\text{C}$ ,  $f_s = 250\text{ kHz}$ ,  $V_{\text{DIG}} = V_{\text{ANA}} = 5\text{ V}$ , using internal reference (unless otherwise noted)

| PARAMETER   | TEST CONDITIONS               | ADS8505I |     |      | ADS8505IB |     |      | UNIT                 |
|---|-------------------------------|----------|-----|------|-----------|-----|------|----------------------|
|   |                               | MIN      | TYP | MAX  | MIN       | TYP | MAX  |                      |
| <b>DIGITAL TIMING</b>                                       |                               |          |     |      |           |     |      |                      |
| Bus access timing   |                               |          |     | 83   |           | 83  |      | ns                   |
| Bus relinquish timing                                       |                               |          |     | 83   |           | 83  |      | ns                   |
| <b>POWER SUPPLIES</b>                                       |                               |          |     |      |           |     |      |                      |
| $V_{\text{DIG}}$ Digital input voltage                      | Must be $\leq V_{\text{ANA}}$ | 4.75     | 5   | 5.25 | 4.75      | 5   | 5.25 | V                    |
| $V_{\text{ANA}}$ Analog input voltage                       |                               | 4.75     | 5   | 5.25 | 4.75      | 5   | 5.25 | V                    |
| $I_{\text{DIG}}$ Digital input current                      |                               |          | 2   | 5    |           | 2   | 5    | mA                   |
| $I_{\text{ANA}}$ Analog input current                       |                               |          | 12  | 15   |           | 12  | 15   | mA                   |
| Power dissipation   | $f_s = 250\text{ kHz}$        |          | 70  | 100  |           | 70  | 100  | mW                   |
| <b>TEMPERATURE RANGE</b>                                    |                               |          |     |      |           |     |      |                      |
| Specified performance                                       |                               | -40      |     | 85   | -40       |     | 85   | $^{\circ}\text{C}$   |
| Derated performance <sup>(8)</sup>                          |                               | -55      |     | 125  | -55       |     | 125  | $^{\circ}\text{C}$   |
| Storage   |                               | -65      |     | 150  | -65       |     | 150  | $^{\circ}\text{C}$   |
| <b>THERMAL RESISTANCE (<math>\theta_{\text{JA}}</math>)</b> |                               |          |     |      |           |     |      |                      |
| SSOP  |                               |          | 62  |      |           | 62  |      | $^{\circ}\text{C/W}$ |
| SO  |                               |          | 46  |      |           | 46  |      | $^{\circ}\text{C/W}$ |

(8) The internal reference may not be started correctly beyond the industrial temperature range ( $-40^{\circ}\text{C}$  to  $85^{\circ}\text{C}$ ), therefore use of an external reference is recommended.

**DEVICE INFORMATION**

**DB OR DW PACKAGE  
(TOP VIEW)**



## DEVICE INFORMATION (continued)

### Terminal Functions

| TERMINAL                       |           | DIGITAL<br>I/O | DESCRIPTION   |
|--------------------------------|-----------|----------------|---|
| NAME                           | DB/DW NO. |                |   |
| AGND1                          | 2         |                | Analog ground. Used internally as ground reference point.   |
| AGND2                          | 5         |                | Analog ground.  |
| $\overline{\text{BUSY}}$       | 26        | O              | At the start of a conversion, $\overline{\text{BUSY}}$ goes low and stays low until the conversion is completed and the digital outputs have been updated.  |
| BYTE                           | 23        | I              | Selects 8 most significant bits (low) or 8 least significant bits (high).   |
| CAP                            | 4         |                | Reference buffer capacitor. 2.2- $\mu\text{F}$ Tantalum capacitor to ground.  |
| $\overline{\text{CS}}$         | 25        | I              | Internally ORed with $\text{R}/\overline{\text{C}}$ . If $\text{R}/\overline{\text{C}}$ is low, a falling edge on $\overline{\text{CS}}$ initiates a new conversion.  |
| DGND                           | 14        |                | Digital ground.   |
| D15 (MSB)                      | 6         | O              | Data bit 15. Most significant bit (MSB) of conversion results. Hi-Z state when $\overline{\text{CS}}$ is high, or when $\text{R}/\overline{\text{C}}$ is low.   |
| D14                            | 7         | O              | Data bit 14. Hi-Z state when $\overline{\text{CS}}$ is high, or when $\text{R}/\overline{\text{C}}$ is low.   |
| D13                            | 8         | O              | Data bit 13. Hi-Z state when $\overline{\text{CS}}$ is high, or when $\text{R}/\overline{\text{C}}$ is low.   |
| D12                            | 9         | O              | Data bit 12. Hi-Z state when $\overline{\text{CS}}$ is high, or when $\text{R}/\overline{\text{C}}$ is low.   |
| D11                            | 10        | O              | Data bit 11. Hi-Z state when $\overline{\text{CS}}$ is high, or when $\text{R}/\overline{\text{C}}$ is low.   |
| D10                            | 11        | O              | Data bit 10. Hi-Z state when $\overline{\text{CS}}$ is high, or when $\text{R}/\overline{\text{C}}$ is low.   |
| D9                             | 12        | O              | Data bit 9. Hi-Z state when $\overline{\text{CS}}$ is high, or when $\text{R}/\overline{\text{C}}$ is low.  |
| D8                             | 13        | O              | Data bit 8. Hi-Z state when $\overline{\text{CS}}$ is high, or when $\text{R}/\overline{\text{C}}$ is low.  |
| D7                             | 15        | O              | Data bit 7. Hi-Z state when $\overline{\text{CS}}$ is high, or when $\text{R}/\overline{\text{C}}$ is low.  |
| D6                             | 16        | O              | Data bit 6. Hi-Z state when $\overline{\text{CS}}$ is high, or when $\text{R}/\overline{\text{C}}$ is low.  |
| D5                             | 17        | O              | Data bit 5. Hi-Z state when $\overline{\text{CS}}$ is high, or when $\text{R}/\overline{\text{C}}$ is low.  |
| D4                             | 18        | O              | Data bit 4. Hi-Z state when $\overline{\text{CS}}$ is high, or when $\text{R}/\overline{\text{C}}$ is low.  |
| D3                             | 19        | O              | Data bit 3. Hi-Z state when $\overline{\text{CS}}$ is high, or when $\text{R}/\overline{\text{C}}$ is low.  |
| D2                             | 20        | O              | Data bit 2. Hi-Z state when $\overline{\text{CS}}$ is high, or when $\text{R}/\overline{\text{C}}$ is low.  |
| D1                             | 21        | O              | Data bit 1. Hi-Z state when $\overline{\text{CS}}$ is high, or when $\text{R}/\overline{\text{C}}$ is low.  |
| D0 (LSB)                       | 22        | O              | Data bit 0. Least significant bit (LSB) of conversion results. Hi-Z state when $\overline{\text{CS}}$ is high, or when $\text{R}/\overline{\text{C}}$ is low.   |
| $\text{R}/\overline{\text{C}}$ | 24        | I              | With $\overline{\text{CS}}$ low and $\overline{\text{BUSY}}$ high, a falling edge on $\text{R}/\overline{\text{C}}$ initiates a new conversion. With $\overline{\text{CS}}$ low, a rising edge on $\text{R}/\overline{\text{C}}$ enables the parallel output. |
| REF                            | 3         |                | Reference input/output. 2.2- $\mu\text{F}$ Tantalum capacitor to ground.  |
| $V_{\text{ANA}}$               | 27        |                | Analog supply input. Nominally +5 V. Decouple to ground with 0.1- $\mu\text{F}$ ceramic and 10- $\mu\text{F}$ tantalum capacitors.  |
| $V_{\text{DIG}}$               | 28        |                | Digital supply input. Nominally +5 V. Connect directly to pin 27. Must be $\leq V_{\text{ANA}}$ .   |
| $V_{\text{IN}}$                | 1         |                | Analog input. See <a href="#">Figure 28</a> .   |

TYPICAL CHARACTERISTICS

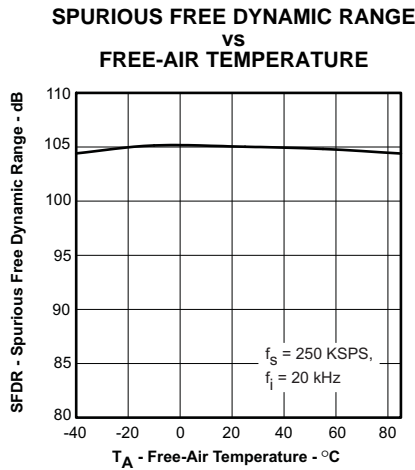


Figure 1.

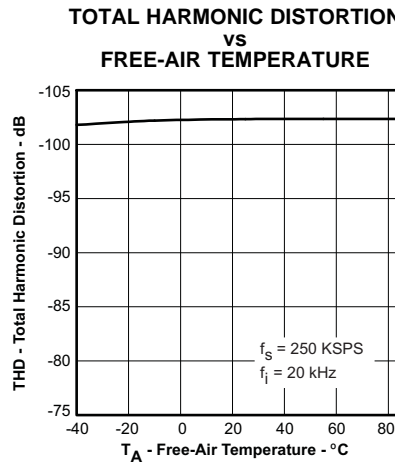


Figure 2.

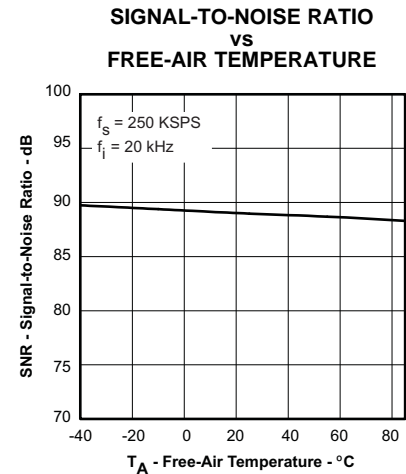


Figure 3.

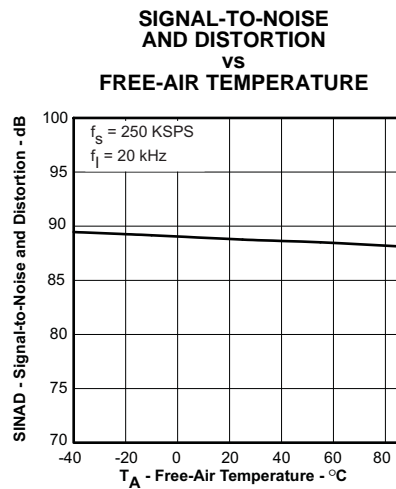


Figure 4.

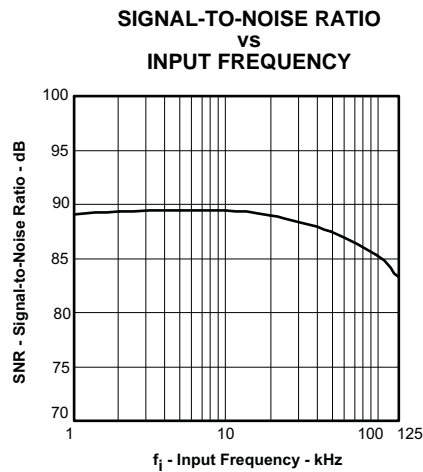


Figure 5.

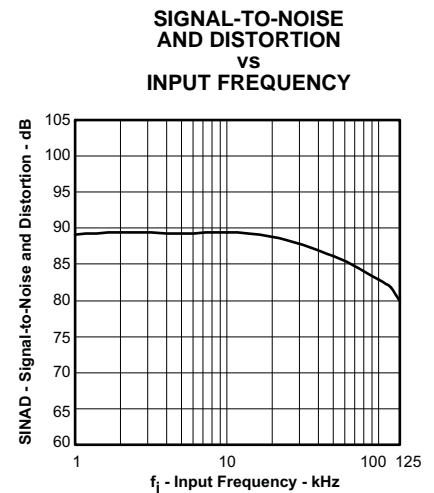


Figure 6.

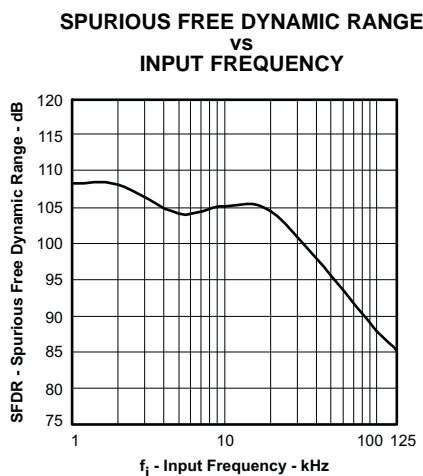


Figure 7.

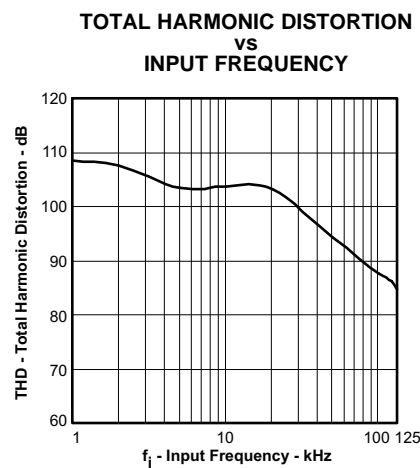


Figure 8.

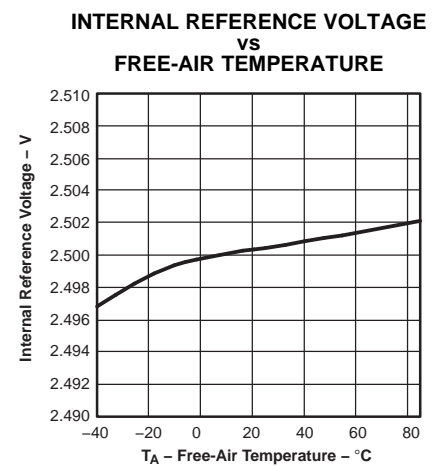


Figure 9.

TYPICAL CHARACTERISTICS (continued)

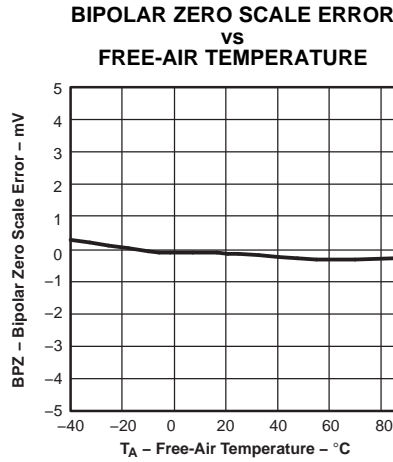


Figure 10.

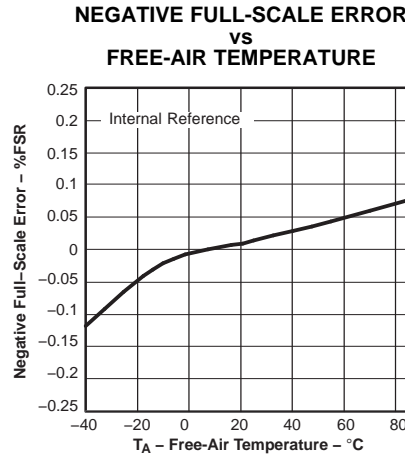


Figure 11.

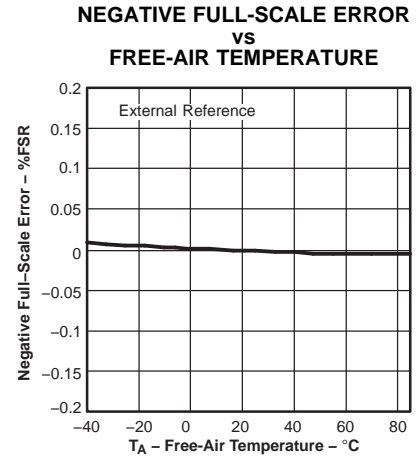


Figure 12.

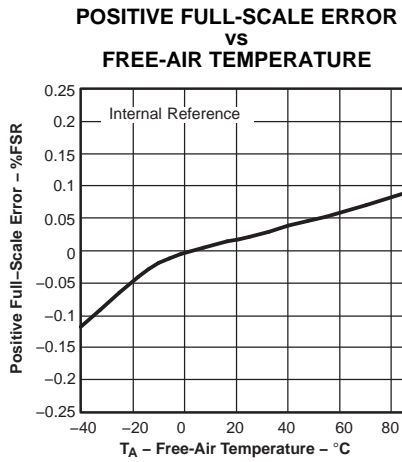


Figure 13.

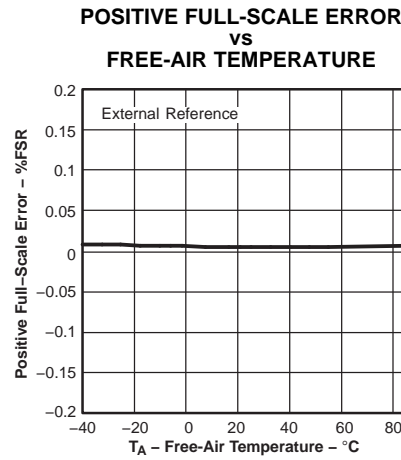


Figure 14.

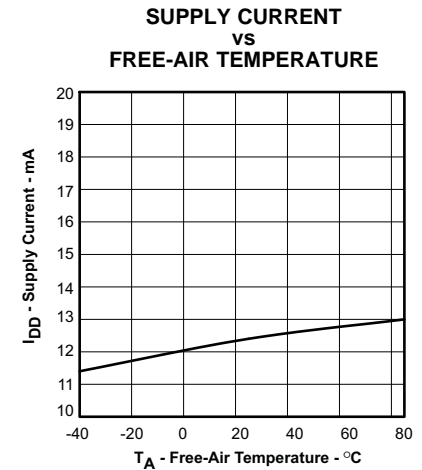


Figure 15.

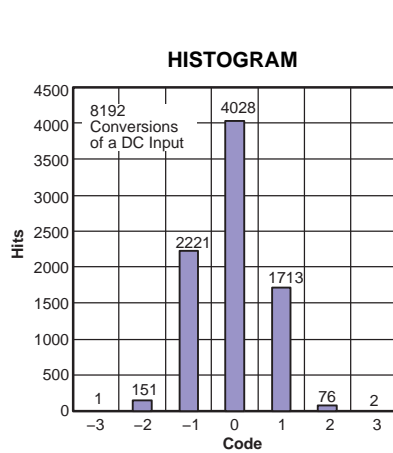


Figure 16.

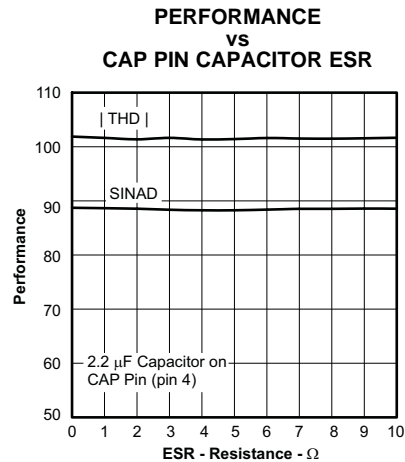


Figure 17.

TYPICAL CHARACTERISTICS (continued)

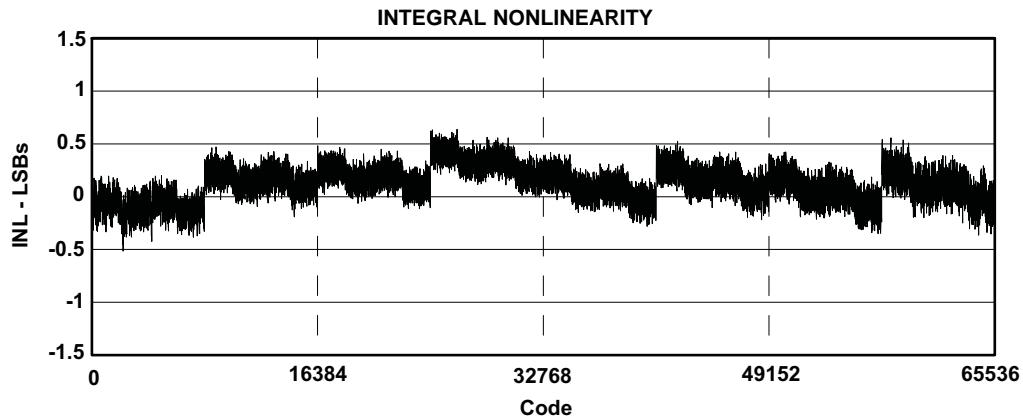


Figure 18.

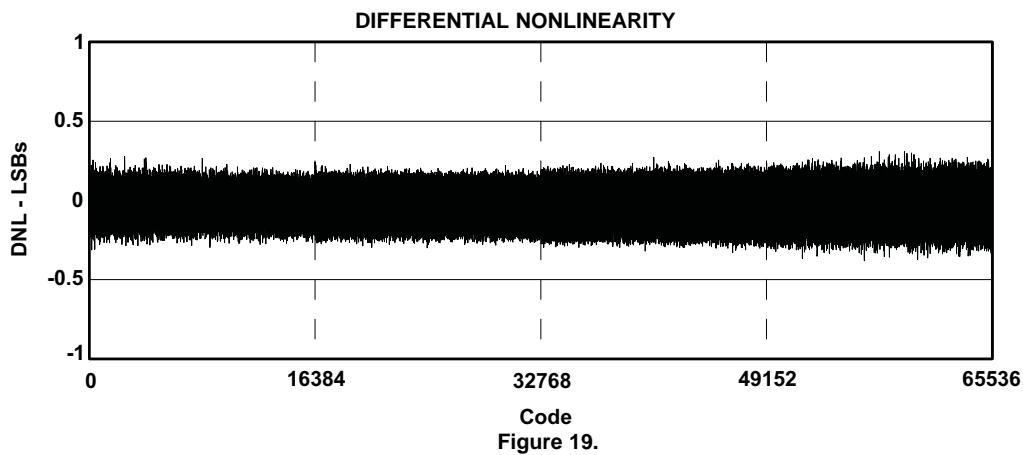


Figure 19.

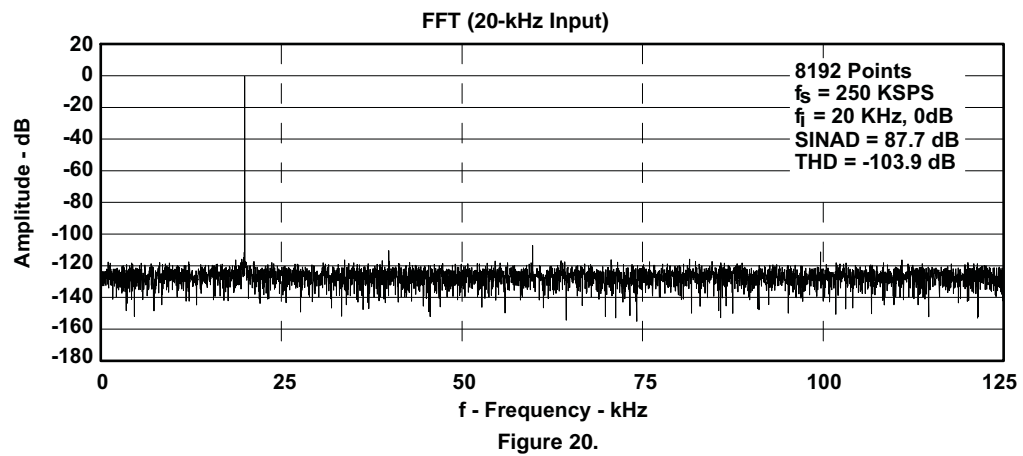


Figure 20.

BASIC OPERATION

Figure 21 shows a basic circuit to operate the ADS8505 with a full parallel data output. Taking  $R/\overline{C}$  (pin 24) low for a minimum of 40 ns (1.75  $\mu$ s max) initiates a conversion.  $\overline{BUSY}$  (pin 26) goes low and stays low until the conversion is completed and the output registers are updated. Data is output in binary 2's complement format with the MSB on pin 6.  $\overline{BUSY}$  going high can be used to latch the data.



## BASIC OPERATION (continued)

The ADS8505 begins tracking the input signal at the end of the conversion. Allowing 4  $\mu$ s between convert commands assures accurate acquisition of a new signal.

The offset and gain are adjusted internally to allow external trimming with a single supply. The external resistors compensate for this adjustment and can be left out if the offset and gain are corrected in software (refer to the CALIBRATION section).

### STARTING A CONVERSION

The combination of  $\overline{CS}$  (pin 25) and  $R/\overline{C}$  (pin 24) low for a minimum of 40 ns immediately puts the sample/hold of the ADS8505 in the hold state and starts conversion  $n$ .  $\overline{BUSY}$  (pin 26) goes low and stays low until conversion  $n$  is completed and the internal output register has been updated. All new convert commands during  $\overline{BUSY}$  low will abort the conversion in progress and reset the ADC (see [Figure 26](#)).

The ADS8505 begins tracking the input signal at the end of the conversion. Allowing 4  $\mu$ s between convert commands assures accurate acquisition of a new signal. Refer to [Table 1](#) for a summary of  $\overline{CS}$ ,  $R/\overline{C}$ , and  $\overline{BUSY}$  states and [Figure 23](#) through [Figure 25](#) for the timing diagrams.

$\overline{CS}$  and  $R/\overline{C}$  are internally ORed and level triggered. There is not a requirement which input goes low first when initiating a conversion. If, however, it is critical that  $\overline{CS}$  or  $R/\overline{C}$  initiates conversion  $n$ , be sure the less critical input is low at least 10 ns prior to the initiating input.

To reduce the number of control pins,  $\overline{CS}$  can be tied low using  $R/\overline{C}$  to control the read and convert modes. The parallel output becomes active whenever  $R/\overline{C}$  goes high. Refer to the READING DATA section.

**Table 1. Control Line Functions for Read and Convert**

| $\overline{CS}$ | $R/\overline{C}$ | $\overline{BUSY}$ | OPERATION   |
|-----------------|------------------|-------------------|---|
| 1               | X                | X                 | None. Databus is in Hi-Z state.   |
| ↓               | 0                | 1                 | Initiates conversion $n$ . Databus remains in Hi-Z state.   |
| 0               | ↓                | 1                 | Initiates conversion $n$ . Databus enters Hi-Z state.   |
| 0               | 1                | ↑                 | Conversion $n$ completed. Valid data from conversion $n$ on the databus.                                |
| ↓               | 1                | 1                 | Enables databus with valid data from conversion $n$ .   |
| ↓               | 1                | 0                 | Enables databus with valid data from conversion $n-1$ <sup>(1)</sup> . Conversion $n$ in progress.      |
| 0               | ↑                | 0                 | Enables databus with valid data from conversion $n-1$ <sup>(1)</sup> . Conversion $n$ in progress.      |
| 0               | 0                | ↑                 | Data is invalid. $\overline{CS}$ and/or $R/\overline{C}$ must be high when $\overline{BUSY}$ goes high. |
| X               | ↓                | 0                 | Conversion $n$ is halted. Causes ADC to reset. <sup>(2)</sup>   |

(1) See [Figure 23](#) and [Figure 24](#) for constraints on data valid from conversion  $n-1$ .

(2) See [Figure 26](#) for details on ADC reset.

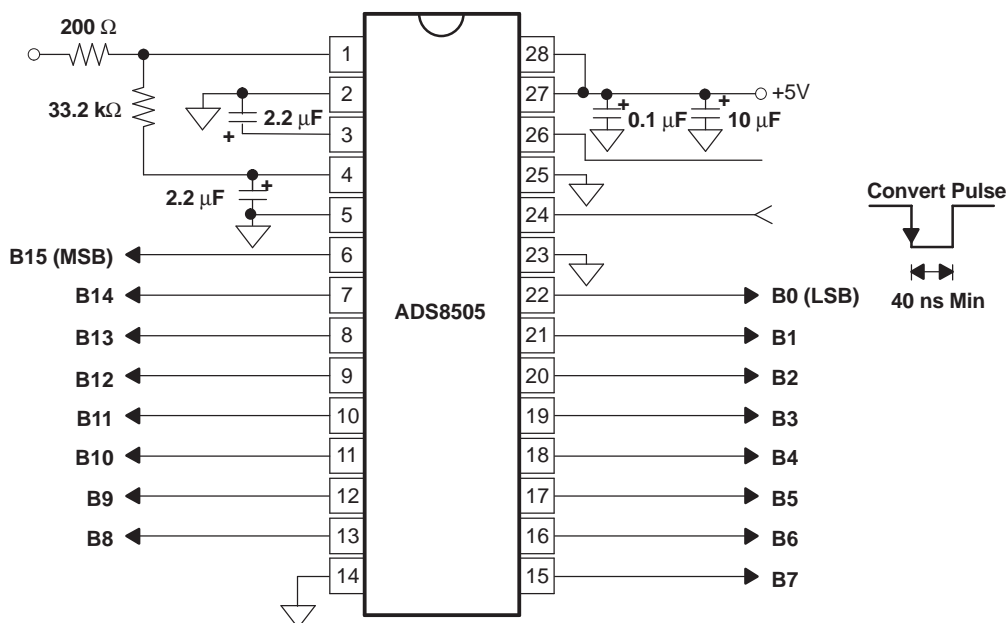


Figure 21. Basic Operation

### READING DATA

The ADS8505 outputs full or byte-reading parallel data in binary 2's complement data output format. The parallel output is active when  $R/\overline{C}$  (pin 24) is high and  $\overline{CS}$  (pin 25) is low. Any other combination of  $\overline{CS}$  and  $R/\overline{C}$  3-states the parallel output. Valid conversion data can be read in a full parallel, 16-bit word or two 8-bit bytes on pins 6-13 and pins 15-22. BYTE (pin 23) can be toggled to read both bytes within one conversion cycle. Refer to Table 2 for ideal output codes and Figure 22 for bit locations relative to the state of BYTE.

Table 2. Ideal Input Voltages and Output Codes

| DESCRIPTION                 | ANALOG INPUT | DIGITAL OUTPUT BINARY 2'S COMPLEMENT |          |
|-----------------------------|--------------|--------------------------------------|----------|
|                             |              | BINARY CODE                          | HEX CODE |
| Full-scale range            | $\pm 10$ V   |                                      |          |
| Least significant bit (LSB) | 305 $\mu$ V  |                                      |          |
| Full scale (10 V-1 LSB)     | 9.999695 V   | 0111 1111 1111 1111                  | 7FFF     |
| Midscale                    | 0 V          | 0000 0000 0000 0000                  | 0000     |
| One LSB below midscale      | -305 $\mu$ V | 1111 1111 1111 1111                  | FFFF     |
| -Full scale                 | -10 V        | 1000 0000 0000 0000                  | 8000     |

### PARALLEL OUTPUT (After a Conversion)

After conversion  $n$  is completed and the output registers have been updated,  $\overline{BUSY}$  (pin 26) goes high. Valid data from conversion  $n$  is available on D15-D0 (pins 6-13 and 15-22).  $\overline{BUSY}$  going high can be used to latch the data. Refer to Table 3, Figure 23, Figure 24, and Figure 25 for timing specifications.

### PARALLEL OUTPUT (During a Conversion)

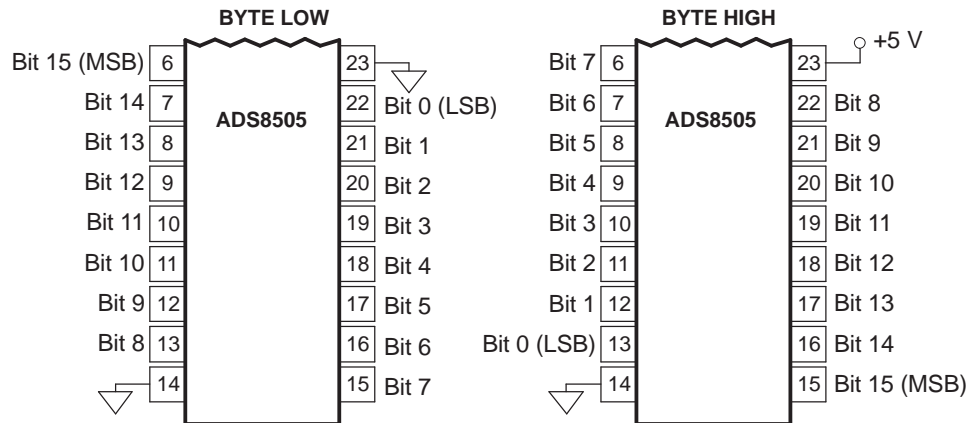
After conversion  $n$  has been initiated, valid data from conversion  $n-1$  can be read and is valid up to  $t_2$  (2.2  $\mu$ s typ) after the start of conversion  $n$ . Do not attempt to read data from  $t_2$  (2.2  $\mu$ s typ) after the start of conversion  $n$  until  $\overline{BUSY}$  (pin 26) goes high; this may result in reading invalid data. Refer to Table 3, Figure 23, Figure 24, and Figure 25 for timing specifications.

**Note:** For the best possible performance, data should not be read during a conversion. The switching noise of the asynchronous data transfer can cause digital feedthrough degrading converter performance.

The number of control lines can be reduced by tying  $\overline{CS}$  low while using the falling edge of  $R/\overline{C}$  to initiate conversions and the rising edge of  $R/\overline{C}$  to activate the output mode of the converter. See [Figure 23](#).

**Table 3. Conversion Timing**

| SYMBOL               | DESCRIPTION   | MIN | TYP | MAX  | UNITS   |
|----------------------|---|-----|-----|------|---------|
| $t_{w1}$             | Pulse duration, convert   | 40  |     | 1750 | ns      |
| $t_a$                | Access time, data valid after $R/\overline{C}$ low                  |     | 2.2 | 3.2  | $\mu$ s |
| $t_{pd}$             | Propagation delay time, $\overline{BUSY}$ from $R/\overline{C}$ low |     | 15  | 25   | ns      |
| $t_{w2}$             | Pulse duration, $\overline{BUSY}$ low                               |     |     | 2.2  | $\mu$ s |
| $t_{d1}$             | Delay time, $\overline{BUSY}$ after end of conversion               |     | 5   |      | ns      |
| $t_{d2}$             | Delay time, aperture  |     | 5   |      | ns      |
| $t_{conv}$           | Conversion time   |     |     | 2.2  | $\mu$ s |
| $t_{acq}$            | Acquisition time  | 1.8 |     |      | $\mu$ s |
| $t_{dis}$            | Disable time, bus   | 10  | 30  | 83   | ns      |
| $t_{d3}$             | Delay time, $\overline{BUSY}$ after data valid                      | 35  | 50  |      | ns      |
| $t_v$                | Valid time, previous data remains valid after $R/\overline{C}$ low  | 1.5 | 2   |      | $\mu$ s |
| $t_{conv} + t_{acq}$ | Throughput time   |     |     | 4    | $\mu$ s |
| $t_{su}$             | Setup time, $R/\overline{C}$ to $\overline{CS}$                     | 10  |     |      | ns      |
| $t_c$                | Cycle time between conversions                                      | 4   |     |      | $\mu$ s |
| $t_{en}$             | Enable time, bus  | 10  | 30  | 83   | ns      |
| $t_{d4}$             | Delay time, BYTE  | 5   | 10  | 30   | ns      |



**Figure 22. Bit Locations Relative to State of BYTE (Pin 23)**

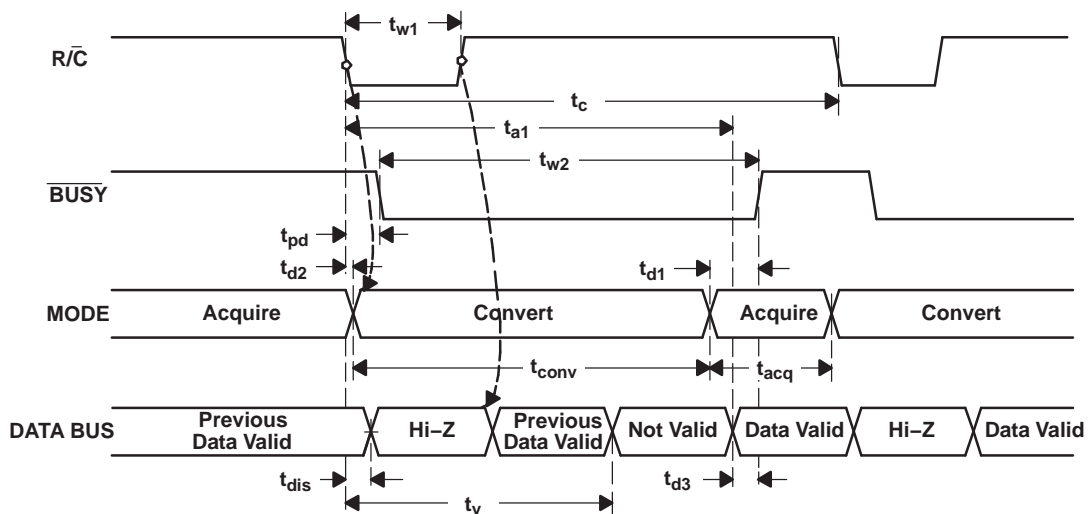


Figure 23. Conversion Timing with Outputs Enabled after Conversion ( $\overline{CS}$  Tied Low)

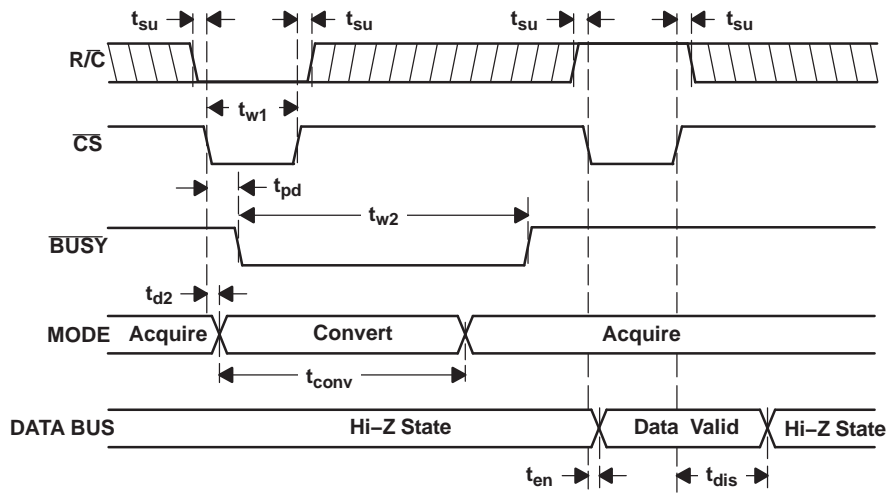


Figure 24. Using  $\overline{CS}$  to Control Conversion and Read Timing

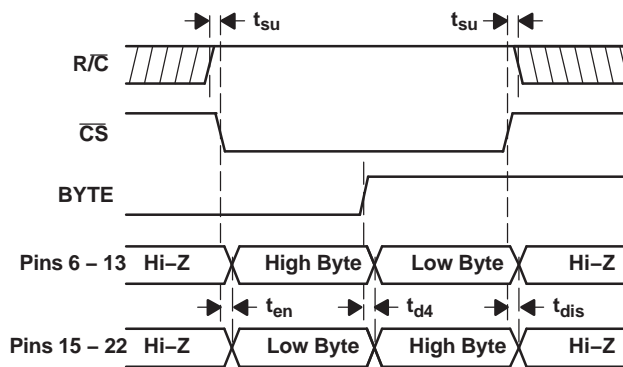


Figure 25. Using  $\overline{CS}$  and  $\overline{BYTE}$  to Control Data Bus

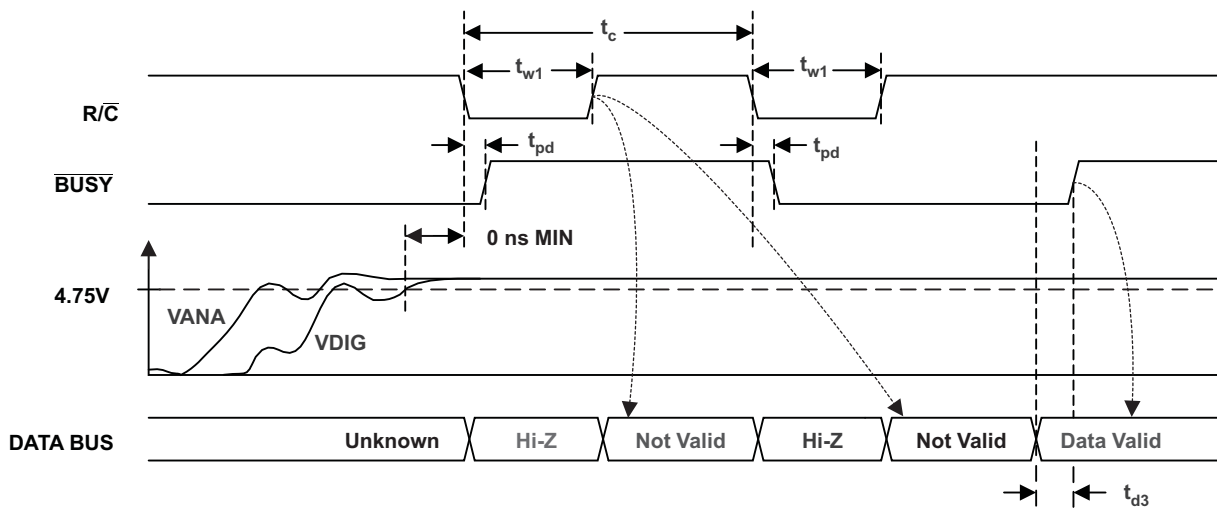


Figure 26. ADC Reset

## ADC RESET

The ADC reset function of the ADS8505 can be used to terminate the current conversion cycle. Bringing  $R/\overline{C}$  low for at least 40 ns while BUSY is low will initiate the ADC reset. To initiate a new conversion,  $R/\overline{C}$  must return to the high state and remain high long enough to acquire a new sample (see Table 3,  $t_c$ ) before going low to initiate the next conversion sequence. In applications that do not monitor the BUSY signal, it is recommended that the ADC reset function be implemented as part of a system initialization sequence.

## INPUT RANGES

The ADS8505 offers a standard  $\pm 10$ -V input range. Figure 28 shows the necessary circuit connections for the ADS8505 with and without hardware trim. Offset and full-scale error specifications are tested and specified with the fixed resistors shown in Figure 28(b). Full-scale error includes offset and gain errors measured at both +FS and -FS. Adjustments for offset and gain are described in the CALIBRATION section of this data sheet.

Offset and gain are adjusted internally to allow external trimming with a single supply. The external resistors compensate for this adjustment and can be left out if the offset and gain are corrected in software (refer to the CALIBRATION section).

The nominal input impedance of 11.5 k $\Omega$  results from the combination of the internal resistor network shown on the front page of the product data sheet and the external resistors. The input resistor divider network provides inherent overvoltage protection assured to at least  $\pm 25$  V. The 1% resistors used for the external circuitry do not compromise the accuracy or drift of the converter. They have little influence relative to the internal resistors, and tighter tolerances are not required.

The input signal must be referenced to AGND1. This minimizes the ground loop problem typical to analog designs. The analog signal should be driven by a low impedance source. A typical driving circuit using an OPA627 or OPA132 is shown in Figure 27.

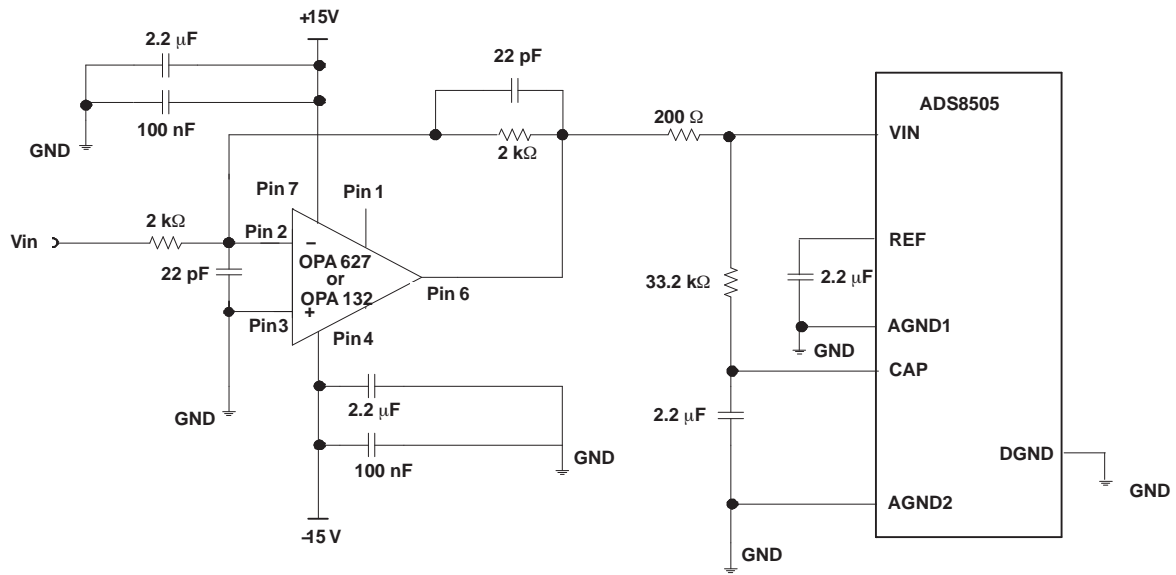


Figure 27. Typical Driving Circuit ( $\pm 10$  V, No Trim)

## APPLICATION INFORMATION

### CALIBRATION

The ADS8505 can be trimmed in hardware or software. The offset should be trimmed before the gain since the offset directly affects the gain. To achieve optimum performance, several iterations may be required.

#### Hardware Calibration

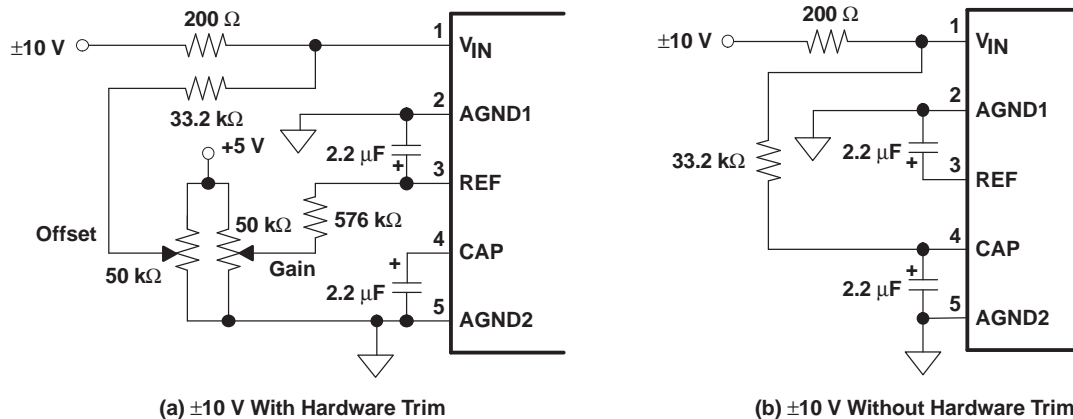
To calibrate the offset and gain of the ADS8505, install the proper resistors and potentiometers as shown in Figure 28(a).

#### Software Calibration

To calibrate the offset and gain of the ADS8505 in software, no external resistors are required. See the No Calibration section for details on the effects of the external resistors.

#### No Calibration

See Figure 28(b) for circuit connections. The external resistors shown in Figure 28(b) may not be necessary in some applications. These resistors provide compensation for an internal adjustment of the offset and gain which allows calibration with a single supply.



Note: Use 1% metal film resistors.

**Figure 28. Circuit Diagram With and Without External Resistors**

### REFERENCE

The ADS8505 can operate with its internal 2.5-V reference or an external reference. By applying an external reference to pin 5, the internal reference can be bypassed. The reference voltage at REF is buffered internally with the output on CAP (pin 4).

The internal reference has an 8 ppm/°C drift (typical) and accounts for approximately 20% of the full-scale error (FSE = ±0.5%).

### REF

REF (pin 3) is an input for an external reference or the output for the internal 2.5-V reference. A 2.2-μF capacitor should be connected as close to the REF pin as possible. The capacitor and the output resistance of REF create a low-pass filter to bandlimit noise on the reference. Using a smaller value capacitor introduces more noise to the reference degrading the SNR and SINAD. The REF pin should not be used to drive external ac or dc loads.

The range for the external reference is 2.3 V to 2.7 V and determines the actual LSB size. Increasing the reference voltage increases the full-scale range and the LSB size of the converter which can improve the SNR.

## APPLICATION INFORMATION (continued)

### CAP

CAP (pin 4) is the output of the internal reference buffer. A 2.2- $\mu$ F capacitor can be placed between the CAP pin and ground. Because the internal reference buffer is internally compensated, the external capacitor is not necessary for compensation of the reference buffer. This relaxes the performance requirements of the capacitor and makes the performance of the ADC less sensitive to the capacitor.

The output of the buffer is capable of driving up to 2 mA of current to a dc load. A dc load requiring more than 2 mA of current from the CAP pin begins to degrade the linearity of the ADS8505. Using an external buffer allows the internal reference to be used for larger dc loads and ac loads. Do not attempt to directly drive an ac load with the output voltage on CAP. This causes performance degradation of the converter.

## LAYOUT

### POWER

For optimum performance, tie the analog and digital power pins to the same +5-V power supply and tie the analog and digital grounds together. As noted in the electrical specifications, the ADS8505 uses 90% of its power for the analog circuitry. The ADS8505 should be considered as an analog component.

The +5-V power for the A/D should be separate from the +5 V used for the system's digital logic. Connecting  $V_{DIG}$  (pin 28) directly to a digital supply can reduce converter performance due to switching noise from the digital logic. For best performance, the +5-V supply can be produced from whatever analog supply is used for the rest of the analog signal conditioning. If +12-V or +15-V supplies are present, a simple +5-V regulator can be used. Although it is not suggested, if the digital supply must be used to power the converter, be sure to properly filter the supply. Either using a filtered digital supply or a regulated analog supply, both  $V_{DIG}$  and  $V_{ANA}$  should be tied to the same +5-V source.

### GROUNDING

Three ground pins are present on the ADS8505. DGND is the digital supply ground. AGND2 is the analog supply ground. AGND1 is the ground which all analog signals internal to the A/D are referenced. AGND1 is more susceptible to current induced voltage drops and must have the path of least resistance back to the power supply.

All the ground pins of the A/D should be tied to the analog ground plane, separated from the system's digital logic ground, to achieve optimum performance. Both analog and digital ground planes should be tied to the *system* ground as near to the power supplies as possible. This helps to prevent dynamic digital ground currents from modulating the analog ground through a common impedance to power ground.

### SIGNAL CONDITIONING

The FET switches used for the sample/hold on many CMOS A/D converters release a significant amount of charge injection which can cause the driving op-amp to oscillate. The FET switch on the ADS8505, compared to the FET switches on other CMOS A/D converters, releases 5% to 10% of the charge. There is also a resistive front end which attenuates any charge which is released. The end result is a minimal requirement for the anti-alias filter on the front end. Any op-amp sufficient for the signal in an application is sufficient to drive the ADS8505.

The resistive front end of the ADS8505 also provides an assured  $\pm 25$ -V overvoltage protection. In most cases, this eliminates the need for external input protection circuitry.

### INTERMEDIATE LATCHES

The ADS8505 does have 3-state outputs for the parallel port, but intermediate latches should be used if the bus is to be active during conversions. If the bus is not active during conversion, the 3-state outputs can be used to isolate the A/D from other peripherals on the same bus. The 3-state outputs can also be used when the A/D is the only peripheral on the data bus.



Intermediate latches are beneficial on any monolithic A/D converter. The ADS8505 has an internal LSB size of 38  $\mu$ V. Transients from fast switching signals on the parallel port, even when the A/D is 3-stated, can be coupled through the substrate to the analog circuitry causing degradation of converter performance.

**Revision History**

NOTE: Page numbers for previous revisions may differ from page numbers in the current version.

| <b>Changes from Original (September, 2005) to A Revision</b>  | <b>Page</b> |
|---|-------------|
| • Added SFDR value .....  | 1           |
| • Changed 3.0 to 1.5 Max INL.....   | 1           |
| • Changed 3.0 to 1.5 Minimum Relative Accuracy.....   | 2           |
| • Changed REF and CAP - reversed .....  | 2           |
| • Changed INL, SFDR, THD, SNR values .....  | 2           |
| • Changed SFDR-TA, THD-TA, SINAD-TA, SNR-fi, SINAD-fi SFDR-fi, THD-fi, IDD-TA, CAP ESR, INL, DNL, and FFT curves..... | 6           |
| • Changed CAP description.....  | 16          |

| <b>Changes from A Revision (October, 2006) to B Revision</b>    | <b>Page</b> |
|---|-------------|
| • Deleted text from basic operation description .....           | 8           |
| • Changed text in starting a conversion description.....        | 9           |
| • Changed operation descriptions and $R/\bar{C}$ in table ..... | 9           |
| • Added SAR Reset timing .....                                  | 13          |
| • Added ADC RESET section .....                                 | 13          |

**PACKAGING INFORMATION**

| Orderable part number        | Status<br>(1) | Material type<br>(2) | Package   Pins | Package qty   Carrier | RoHS<br>(3) | Lead finish/<br>Ball material<br>(4) | MSL rating/<br>Peak reflow<br>(5) | Op temp (°C) | Part marking<br>(6) |
|------------------------------|---------------|----------------------|----------------|-----------------------|-------------|--------------------------------------|-----------------------------------|--------------|---------------------|
| <a href="#">ADS8505IBDB</a>  | Active        | Production           | SSOP (DB)   28 | 50   TUBE             | Yes         | Call TI                              | Level-2-260C-1 YEAR               | -40 to 85    | ADS8505I<br>B       |
| ADS8505IBDB.A                | Active        | Production           | SSOP (DB)   28 | 50   TUBE             | Yes         | Call TI                              | Level-2-260C-1 YEAR               | -40 to 85    | ADS8505I<br>B       |
| ADS8505IBDB.B                | Active        | Production           | SSOP (DB)   28 | 50   TUBE             | Yes         | Call TI                              | Level-2-260C-1 YEAR               | -40 to 85    | ADS8505I<br>B       |
| <a href="#">ADS8505IBDBR</a> | Active        | Production           | SSOP (DB)   28 | 2000   LARGE T&R      | Yes         | Call TI                              | Level-2-260C-1 YEAR               | -40 to 85    | ADS8505I<br>B       |
| ADS8505IBDBR.A               | Active        | Production           | SSOP (DB)   28 | 2000   LARGE T&R      | Yes         | Call TI                              | Level-2-260C-1 YEAR               | -40 to 85    | ADS8505I<br>B       |
| ADS8505IBDBR.B               | Active        | Production           | SSOP (DB)   28 | 2000   LARGE T&R      | Yes         | Call TI                              | Level-2-260C-1 YEAR               | -40 to 85    | ADS8505I<br>B       |
| <a href="#">ADS8505IBDW</a>  | Active        | Production           | SOIC (DW)   28 | 20   TUBE             | Yes         | NIPDAU                               | Level-2-260C-1 YEAR               | -40 to 85    | ADS8505I<br>B       |
| ADS8505IBDW.A                | Active        | Production           | SOIC (DW)   28 | 20   TUBE             | Yes         | NIPDAU                               | Level-2-260C-1 YEAR               | -40 to 85    | ADS8505I<br>B       |
| ADS8505IBDW.B                | Active        | Production           | SOIC (DW)   28 | 20   TUBE             | Yes         | NIPDAU                               | Level-2-260C-1 YEAR               | -40 to 85    | ADS8505I<br>B       |
| <a href="#">ADS8505IBDWR</a> | Active        | Production           | SOIC (DW)   28 | 1000   LARGE T&R      | Yes         | NIPDAU                               | Level-2-260C-1 YEAR               | -40 to 85    | ADS8505I<br>B       |
| ADS8505IBDWR.A               | Active        | Production           | SOIC (DW)   28 | 1000   LARGE T&R      | Yes         | NIPDAU                               | Level-2-260C-1 YEAR               | -40 to 85    | ADS8505I<br>B       |
| ADS8505IBDWR.B               | Active        | Production           | SOIC (DW)   28 | 1000   LARGE T&R      | Yes         | NIPDAU                               | Level-2-260C-1 YEAR               | -40 to 85    | ADS8505I<br>B       |
| <a href="#">ADS8505IDW</a>   | Active        | Production           | SOIC (DW)   28 | 20   TUBE             | Yes         | NIPDAU                               | Level-2-260C-1 YEAR               | -40 to 85    | ADS8505I            |
| ADS8505IDW.A                 | Active        | Production           | SOIC (DW)   28 | 20   TUBE             | Yes         | NIPDAU                               | Level-2-260C-1 YEAR               | -40 to 85    | ADS8505I            |
| ADS8505IDW.B                 | Active        | Production           | SOIC (DW)   28 | 20   TUBE             | Yes         | NIPDAU                               | Level-2-260C-1 YEAR               | -40 to 85    | ADS8505I            |
| ADS8505IDWG4                 | Active        | Production           | SOIC (DW)   28 | 20   TUBE             | Yes         | NIPDAU                               | Level-2-260C-1 YEAR               | -40 to 85    | ADS8505I            |
| <a href="#">ADS8505IDWR</a>  | Active        | Production           | SOIC (DW)   28 | 1000   LARGE T&R      | Yes         | NIPDAU                               | Level-2-260C-1 YEAR               | -40 to 85    | ADS8505I            |
| ADS8505IDWR.A                | Active        | Production           | SOIC (DW)   28 | 1000   LARGE T&R      | Yes         | NIPDAU                               | Level-2-260C-1 YEAR               | -40 to 85    | ADS8505I            |
| ADS8505IDWR.B                | Active        | Production           | SOIC (DW)   28 | 1000   LARGE T&R      | Yes         | NIPDAU                               | Level-2-260C-1 YEAR               | -40 to 85    | ADS8505I            |

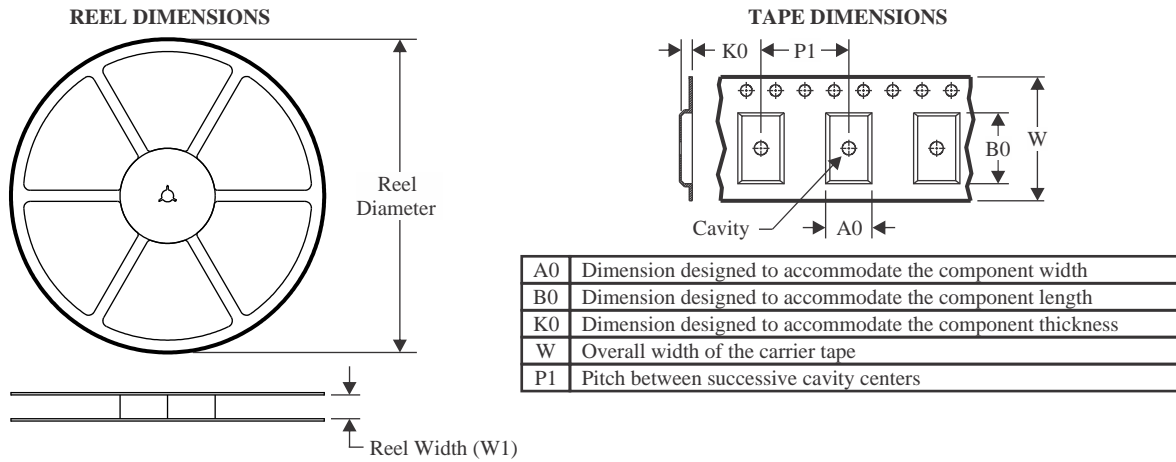
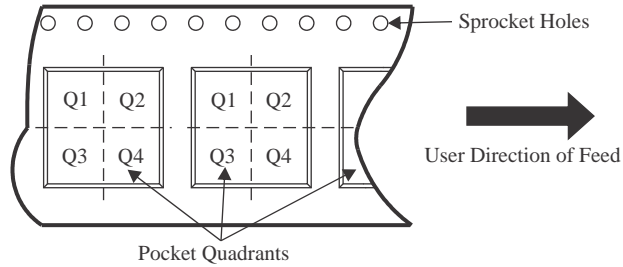
(1) **Status:** For more details on status, see our [product life cycle](#).

- (2) **Material type:** When designated, preproduction parts are prototypes/experimental devices, and are not yet approved or released for full production. Testing and final process, including without limitation quality assurance, reliability performance testing, and/or process qualification, may not yet be complete, and this item is subject to further changes or possible discontinuation. If available for ordering, purchases will be subject to an additional waiver at checkout, and are intended for early internal evaluation purposes only. These items are sold without warranties of any kind.
- (3) **RoHS values:** Yes, No, RoHS Exempt. See the [TI RoHS Statement](#) for additional information and value definition.
- (4) **Lead finish/Ball material:** Parts may have multiple material finish options. Finish options are separated by a vertical ruled line. Lead finish/Ball material values may wrap to two lines if the finish value exceeds the maximum column width.
- (5) **MSL rating/Peak reflow:** The moisture sensitivity level ratings and peak solder (reflow) temperatures. In the event that a part has multiple moisture sensitivity ratings, only the lowest level per JEDEC standards is shown. Refer to the shipping label for the actual reflow temperature that will be used to mount the part to the printed circuit board.
- (6) **Part marking:** There may be an additional marking, which relates to the logo, the lot trace code information, or the environmental category of the part.

Multiple part markings will be inside parentheses. Only one part marking contained in parentheses and separated by a "~" will appear on a part. If a line is indented then it is a continuation of the previous line and the two combined represent the entire part marking for that device.

**Important Information and Disclaimer:** The information provided on this page represents TI's knowledge and belief as of the date that it is provided. TI bases its knowledge and belief on information provided by third parties, and makes no representation or warranty as to the accuracy of such information. Efforts are underway to better integrate information from third parties. TI has taken and continues to take reasonable steps to provide representative and accurate information but may not have conducted destructive testing or chemical analysis on incoming materials and chemicals. TI and TI suppliers consider certain information to be proprietary, and thus CAS numbers and other limited information may not be available for release.

In no event shall TI's liability arising out of such information exceed the total purchase price of the TI part(s) at issue in this document sold by TI to Customer on an annual basis.

**TAPE AND REEL INFORMATION**

**QUADRANT ASSIGNMENTS FOR PIN 1 ORIENTATION IN TAPE**


\*All dimensions are nominal

| Device       | Package Type | Package Drawing | Pins | SPQ  | Reel Diameter (mm) | Reel Width W1 (mm) | A0 (mm) | B0 (mm) | K0 (mm) | P1 (mm) | W (mm) | Pin1 Quadrant |
|--------------|--------------|-----------------|------|------|--------------------|--------------------|---------|---------|---------|---------|--------|---------------|
| ADS8505IBDWR | SOIC         | DW              | 28   | 1000 | 330.0              | 32.4               | 11.35   | 18.67   | 3.1     | 16.0    | 32.0   | Q1            |
| ADS8505IDWR  | SOIC         | DW              | 28   | 1000 | 330.0              | 32.4               | 11.35   | 18.67   | 3.1     | 16.0    | 32.0   | Q1            |

**TAPE AND REEL BOX DIMENSIONS**


\*All dimensions are nominal

| Device       | Package Type | Package Drawing | Pins | SPQ  | Length (mm) | Width (mm) | Height (mm) |
|--------------|--------------|-----------------|------|------|-------------|------------|-------------|
| ADS8505IBDWR | SOIC         | DW              | 28   | 1000 | 350.0       | 350.0      | 66.0        |
| ADS8505IDWR  | SOIC         | DW              | 28   | 1000 | 350.0       | 350.0      | 66.0        |

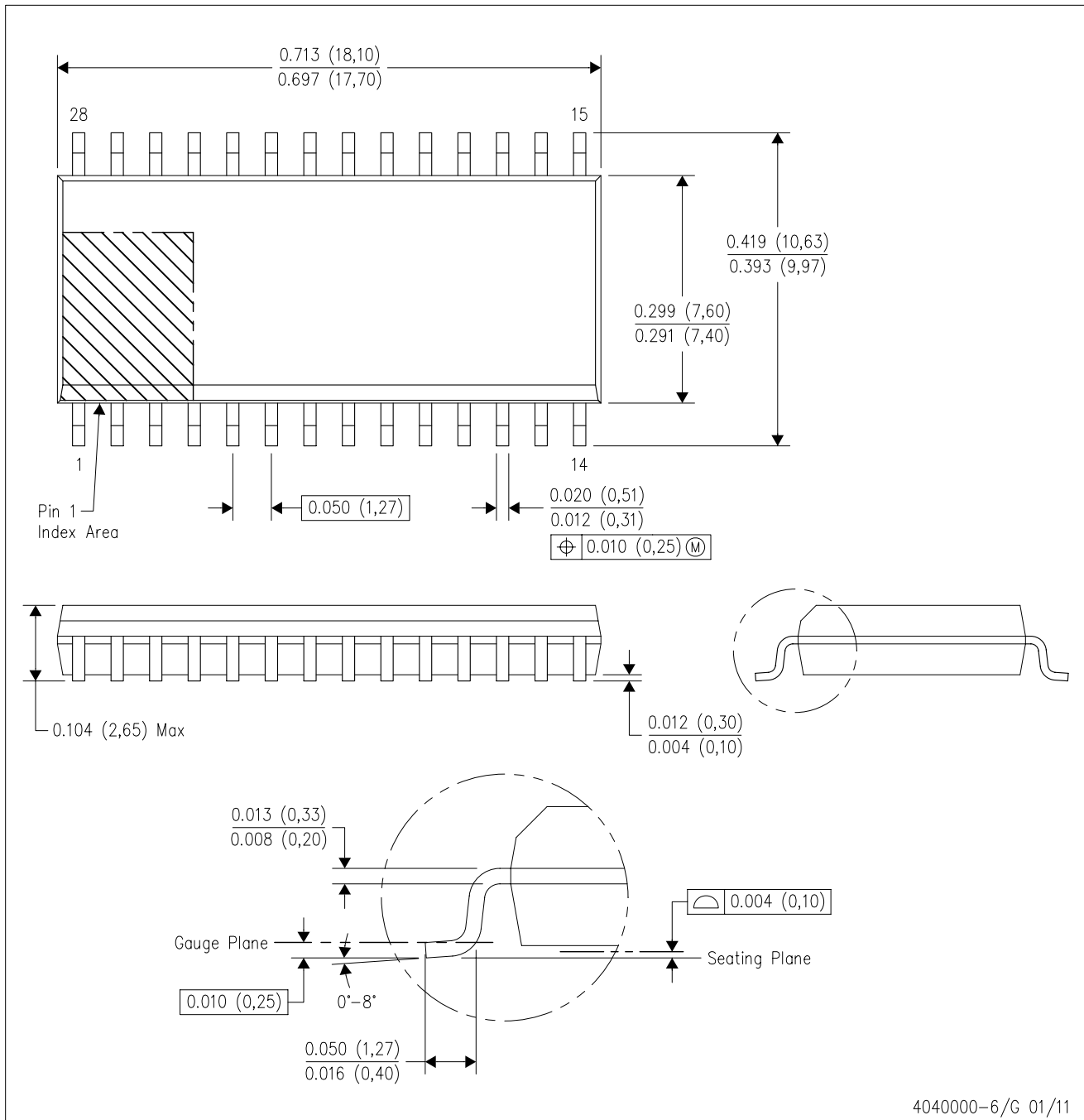
**TUBE**


\*All dimensions are nominal

| Device        | Package Name | Package Type | Pins | SPQ | L (mm) | W (mm) | T (μm) | B (mm) |
|---------------|--------------|--------------|------|-----|--------|--------|--------|--------|
| ADS8505IBDB   | DB           | SSOP         | 28   | 50  | 530    | 10.5   | 4000   | 4.1    |
| ADS8505IBDB.A | DB           | SSOP         | 28   | 50  | 530    | 10.5   | 4000   | 4.1    |
| ADS8505IBDB.B | DB           | SSOP         | 28   | 50  | 530    | 10.5   | 4000   | 4.1    |
| ADS8505IBDW   | DW           | SOIC         | 28   | 20  | 506.98 | 12.7   | 4826   | 6.6    |
| ADS8505IBDW.A | DW           | SOIC         | 28   | 20  | 506.98 | 12.7   | 4826   | 6.6    |
| ADS8505IBDW.B | DW           | SOIC         | 28   | 20  | 506.98 | 12.7   | 4826   | 6.6    |
| ADS8505IDW    | DW           | SOIC         | 28   | 20  | 506.98 | 12.7   | 4826   | 6.6    |
| ADS8505IDW.A  | DW           | SOIC         | 28   | 20  | 506.98 | 12.7   | 4826   | 6.6    |
| ADS8505IDW.B  | DW           | SOIC         | 28   | 20  | 506.98 | 12.7   | 4826   | 6.6    |
| ADS8505IDWG4  | DW           | SOIC         | 28   | 20  | 506.98 | 12.7   | 4826   | 6.6    |

DW (R-PDSO-G28)

PLASTIC SMALL OUTLINE



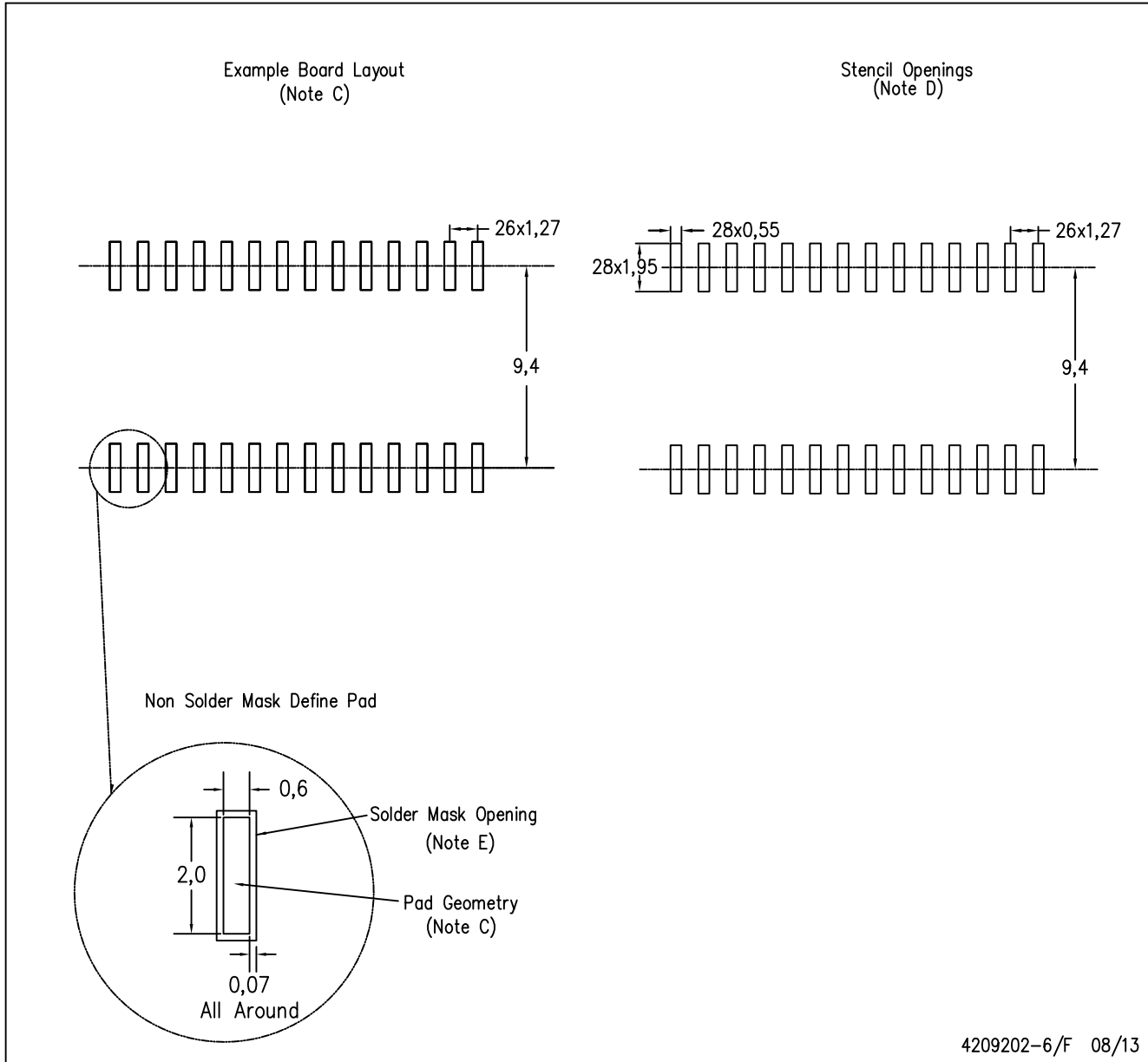
4040000-6/G 01/11

- NOTES:
- A. All linear dimensions are in inches (millimeters). Dimensioning and tolerancing per ASME Y14.5M-1994.
  - B. This drawing is subject to change without notice.
  - C. Body dimensions do not include mold flash or protrusion not to exceed 0.006 (0,15).
  - D. Falls within JEDEC MS-013 variation AE.



DW (R-PDSO-G28)

PLASTIC SMALL OUTLINE



4209202-6/F 08/13

- NOTES:
- A. All linear dimensions are in millimeters.
  - B. This drawing is subject to change without notice.
  - C. Refer to IPC7351 for alternate board design.
  - D. Laser cutting apertures with trapezoidal walls and also rounding corners will offer better paste release. Customers should contact their board assembly site for stencil design recommendations. Refer to IPC-7525
  - E. Customers should contact their board fabrication site for solder mask tolerances between and around signal pads.

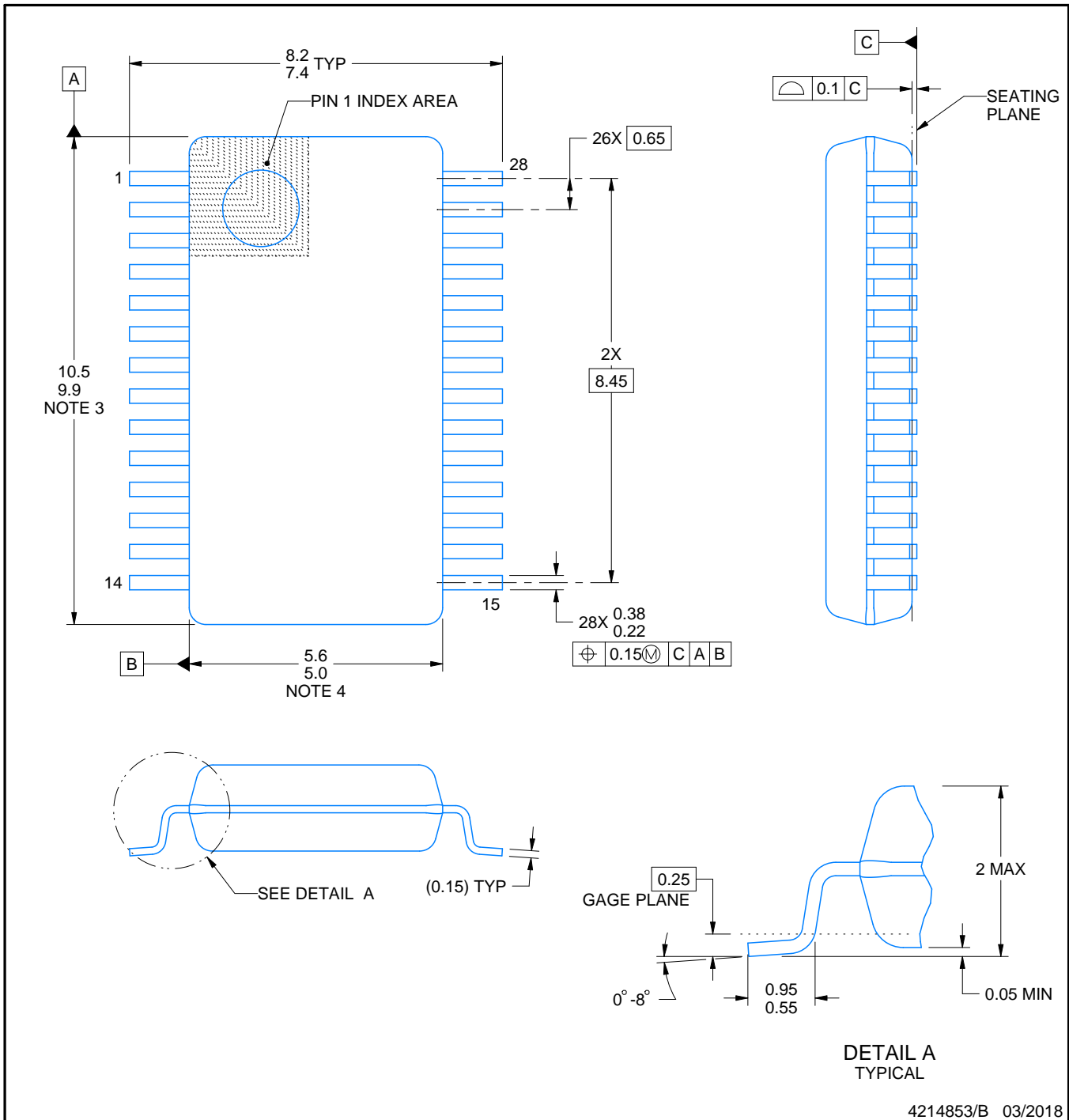
# DB0028A



# PACKAGE OUTLINE

## SSOP - 2 mm max height

SMALL OUTLINE PACKAGE



4214853/B 03/2018

### NOTES:

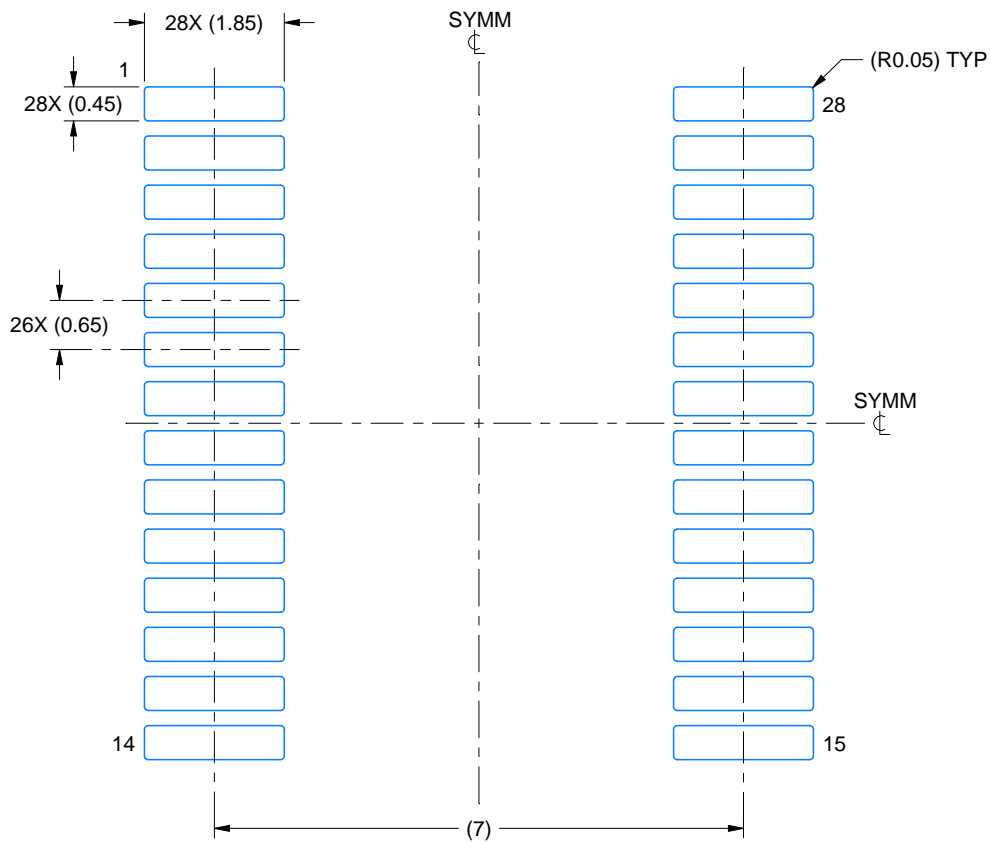
- All linear dimensions are in millimeters. Any dimensions in parenthesis are for reference only. Dimensioning and tolerancing per ASME Y14.5M.
- This drawing is subject to change without notice.
- This dimension does not include mold flash, protrusions, or gate burrs. Mold flash, protrusions, or gate burrs shall not exceed 0.15 mm per side.
- This dimension does not include interlead flash. Interlead flash shall not exceed 0.25 mm per side.
- Reference JEDEC registration MO-150.

# EXAMPLE BOARD LAYOUT

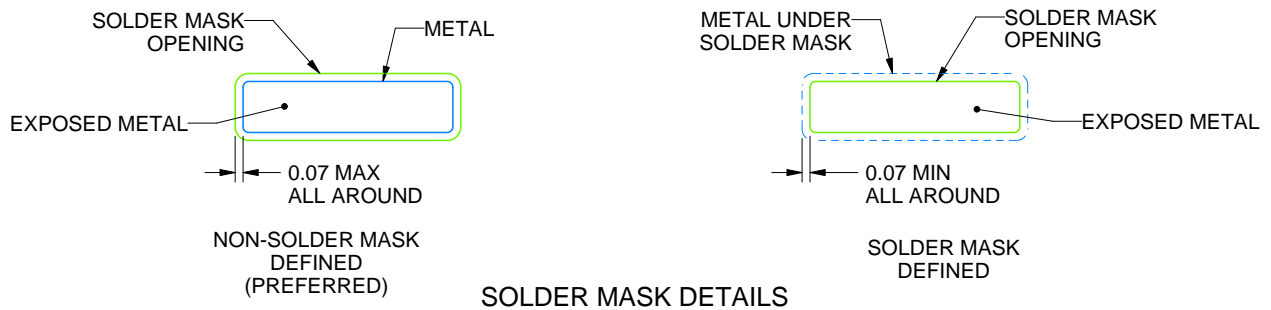
DB0028A

SSOP - 2 mm max height

SMALL OUTLINE PACKAGE



LAND PATTERN EXAMPLE  
EXPOSED METAL SHOWN  
SCALE: 10X



4214853/B 03/2018

NOTES: (continued)

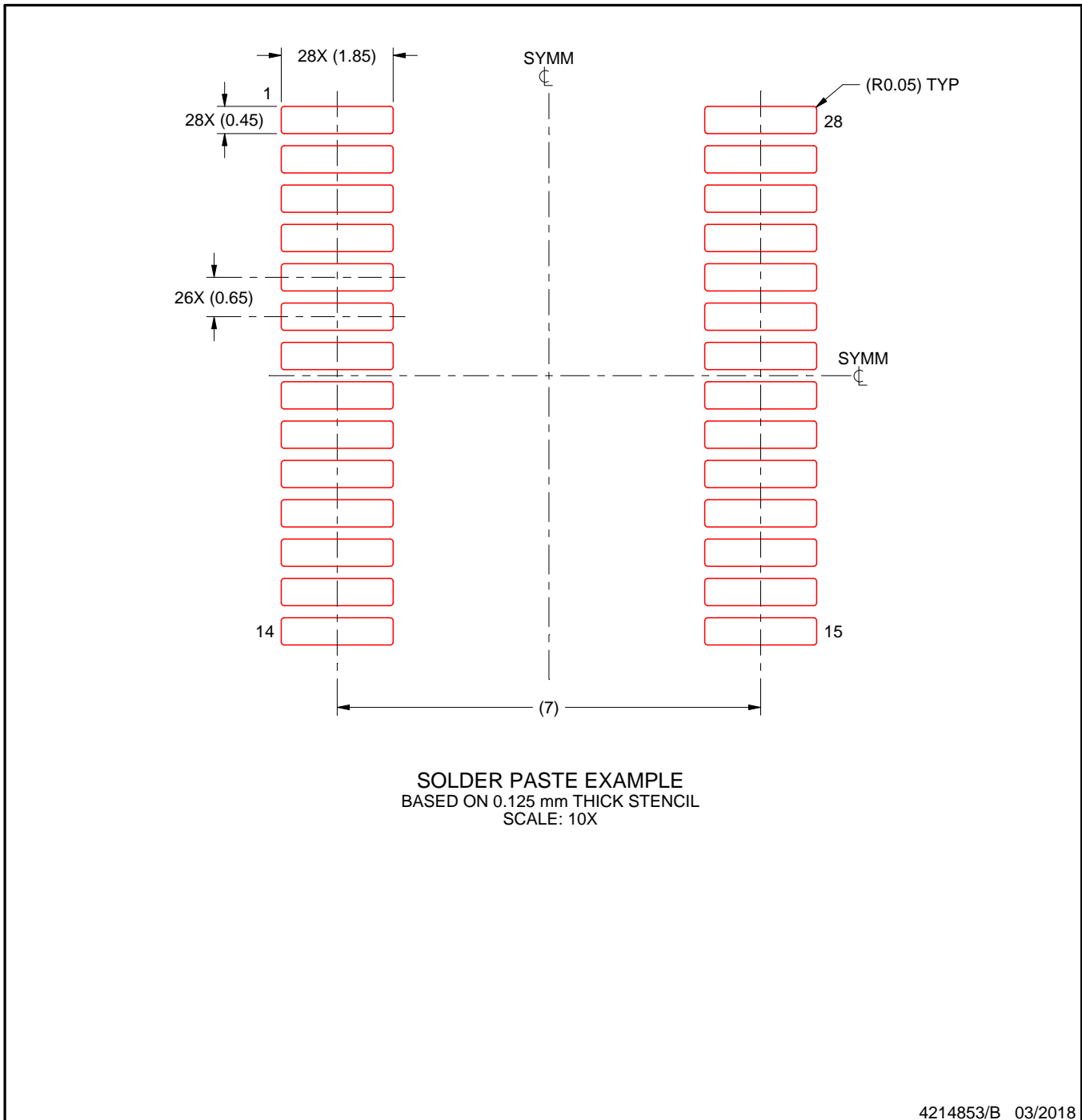
- 6. Publication IPC-7351 may have alternate designs.
- 7. Solder mask tolerances between and around signal pads can vary based on board fabrication site.

# EXAMPLE STENCIL DESIGN

DB0028A

SSOP - 2 mm max height

SMALL OUTLINE PACKAGE



NOTES: (continued)

8. Laser cutting apertures with trapezoidal walls and rounded corners may offer better paste release. IPC-7525 may have alternate design recommendations.
9. Board assembly site may have different recommendations for stencil design.

## IMPORTANT NOTICE AND DISCLAIMER

TI PROVIDES TECHNICAL AND RELIABILITY DATA (INCLUDING DATASHEETS), DESIGN RESOURCES (INCLUDING REFERENCE DESIGNS), APPLICATION OR OTHER DESIGN ADVICE, WEB TOOLS, SAFETY INFORMATION, AND OTHER RESOURCES "AS IS" AND WITH ALL FAULTS, AND DISCLAIMS ALL WARRANTIES, EXPRESS AND IMPLIED, INCLUDING WITHOUT LIMITATION ANY IMPLIED WARRANTIES OF MERCHANTABILITY, FITNESS FOR A PARTICULAR PURPOSE OR NON-INFRINGEMENT OF THIRD PARTY INTELLECTUAL PROPERTY RIGHTS.

These resources are intended for skilled developers designing with TI products. You are solely responsible for (1) selecting the appropriate TI products for your application, (2) designing, validating and testing your application, and (3) ensuring your application meets applicable standards, and any other safety, security, regulatory or other requirements.

These resources are subject to change without notice. TI grants you permission to use these resources only for development of an application that uses the TI products described in the resource. Other reproduction and display of these resources is prohibited. No license is granted to any other TI intellectual property right or to any third party intellectual property right. TI disclaims responsibility for, and you fully indemnify TI and its representatives against any claims, damages, costs, losses, and liabilities arising out of your use of these resources.

TI's products are provided subject to [TI's Terms of Sale](#), [TI's General Quality Guidelines](#), or other applicable terms available either on [ti.com](http://ti.com) or provided in conjunction with such TI products. TI's provision of these resources does not expand or otherwise alter TI's applicable warranties or warranty disclaimers for TI products. Unless TI explicitly designates a product as custom or customer-specified, TI products are standard, catalog, general purpose devices.

TI objects to and rejects any additional or different terms you may propose.

Copyright © 2025, Texas Instruments Incorporated

Last updated 10/2025