

## 高速 PWM 控制器

### 1 特性

- UC3823/UC3825 PWM 控制器的改进版本
- 与电压模式或电流模式控制方法兼容
- 实际工作开关频率高达 1MHz
- 50ns 传播延迟到输出
- 大电流双图腾柱输出 (2A 峰值)
- 修整的振荡器放电电流
- 低 100  $\mu$ A 启动电流
- 逐脉冲电流限制比较器
- 可在整个周期内重启的锁存过流比较器

### 2 说明

UC3823A 和 UC3823B 以及 UC3825A 和 UC3825B 系列 PWM 控制器是标准 UC3823 和 UC3825 系列的改进版本，其中几个电路块的性能得到了提升。误差放大器增益带宽积为 12MHz，而输入失调电压为 2mV。电流限制阈值经验证为耐受的 5%。为实现精准死区时间控制，振荡器放电电流额定值为 10mA。频率精度被提升至 6%。典型值为 100  $\mu$ A 的启动电源电流非常适合于脱机应用。在不对启动电流技术规格产生影响的情况下，重新设计了输出驱动器，以便在 UVLO 期间主动灌电流。此外，每个输出在转换期间能够输出 2A 的峰值电流。

该系列还实施了功能改进。UC3825 关断比较器现在是一款阈值为 1.2V 的高速过流比较器。该过流比较器通过使锁存器置位，可确保软启动电容器在允许重新启动之前完全放电。当故障锁存器被置位时，输出处于低电平状态。如果发生持续故障，软启动电容器会在放电前充满电，以确保故障频率不超过设计的软启动周期。UC3825 时钟引脚已变成 CLK/LEB。该引脚结合了时钟输出和前沿消隐调节功能，可提供缓冲输出以便于连接。

UC3825A 和 UC3825B 具有双路交替输出以及与 UC3825 相同的引脚配置。UC3823A 和 UC3823B 输出同相运行，占空比从 0 到小于 100%。UC3823A 和 UC3823B 的引脚配置与 UC3823 相同 (引脚 11 除外，它现在是输出引脚，而不是电流限制比较器的基准引脚)。A 版本器件具有与原始 UC3823 和 UC3825 相同的 UVLO 阈值。B 版本的 UVLO 阈值为 16V 和 10V，方便在离线应用中使用。

要了解详细的技术和应用信息，请参阅 *UC3823A/B 和 UC3825A/B 增强型 PWM 控制器 (SLUA125)* 应用手册。

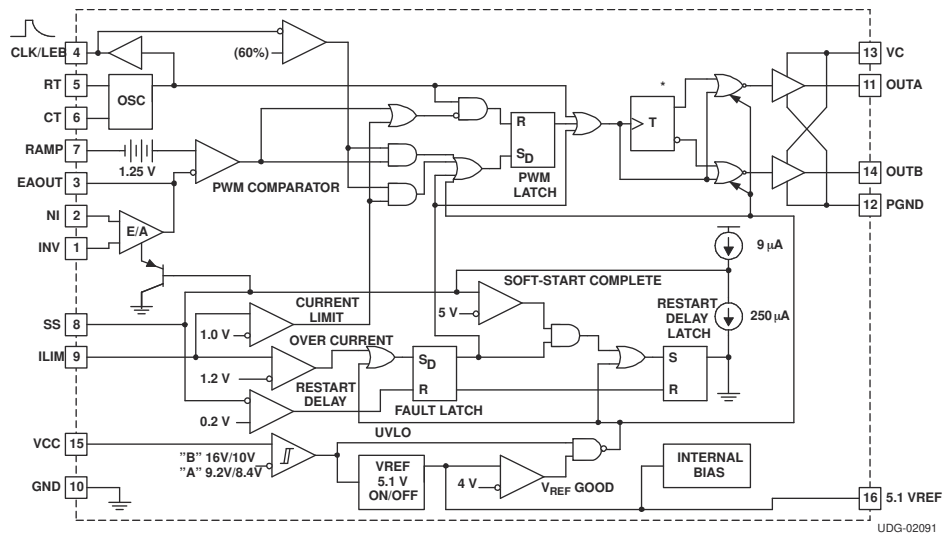


图 2-1. 方框图



## Table of Contents

|  |   |  |    |
|--|---|--|----|
| <b>1 特性</b> .....                              | 1 | 7.3 ACTIVE LOW OUTPUTS DURING UVLO.....                      | 10 |
| <b>2 说明</b> .....                              | 1 | 7.4 CONTROL METHODS.....                                     | 10 |
| <b>3 Revision History</b> .....                | 2 | 7.5 SYNCHRONIZATION.....                                     | 10 |
| <b>4 Ordering Information</b> .....            | 3 | 7.6 HIGH CURRENT OUTPUTS.....                                | 11 |
| <b>5 Pin Configuration and Functions</b> ..... | 3 | 7.7 GROUND PLANES.....                                       | 12 |
| Terminal Functions.....                        | 4 | 7.8 OPEN LOOP TEST CIRCUIT.....                              | 13 |
| <b>6 Specifications</b> .....                  | 5 | <b>8 Device and Documentation Support</b> .....              | 14 |
| 6.1 ABSOLUTE MAXIMUM RATINGS.....              | 5 | 8.1 Documentation Support.....                               | 14 |
| 6.2 Thermal Information.....                   | 5 | 8.2 接收文档更新通知.....  | 14 |
| 6.3 ELECTRICAL CHARACTERISTICS.....            | 6 | 8.3 支持资源.....  | 14 |
| 6.4 ELECTRICAL CHARACTERISTICS.....            | 7 | 8.4 Trademarks.....  | 14 |
| <b>7 Application and Implementation</b> .....  | 8 | 8.5 Electrostatic Discharge Caution.....                     | 14 |
| 7.1 LEADING EDGE BLANKING.....                 | 8 | 8.6 术语表.....   | 14 |
| 7.2 UVLO、软启动和故障管理.....                         | 9 | <b>9 Mechanical, Packaging, and Orderable Information</b> .. | 15 |

## 3 Revision History

注：以前版本的页码可能与当前版本的页码不同

| <b>Changes from Revision E (September 2010) to Revision F (August 2022)</b> | <b>Page</b> |
|---|-------------|
| • Added SOIC package.....   | 3           |
| • Added Thermal Information.....  | 5           |

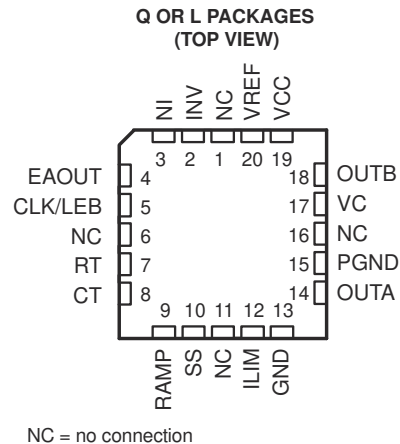
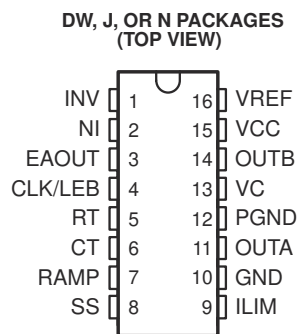
## 4 Ordering Information

| T <sub>A</sub> | MAXIMUM DUTY CYCLE | UVLO                           |                |                               |                 |                |                               |
|----------------|--------------------|--------------------------------|----------------|-------------------------------|-----------------|----------------|-------------------------------|
|                |                    | 9.2 V / 8.4 V                  |                |                               | 16 V / 10 V     |                |                               |
|                |                    | SOIC-16 <sup>(1)</sup><br>(DW) | PDIP-16<br>(N) | PLCC-20 <sup>(1)</sup><br>(Q) | SOIC-16<br>(DW) | PDIP-16<br>(N) | PLCC-20 <sup>(1)</sup><br>(Q) |
| 40°C to 85°C   | < 100%             | UC2823ADW                      | UC2823AN       | UC2823AQ                      | UC2823BDW       | UC2823BN       |                               |
|                | < 50%              | UC2825ADW                      | UC2825AN       | UC2825AQ                      | UC2825BDW       | UC2825BN       |                               |
| 0°C to 70°C    | < 100%             | UC3823ADW                      | UC3823AN       | UC3823AQ                      | UC3823BDW       | UC3823BN       |                               |
|                | < 50%              | UC3825ADW                      | UC3825AN       | UC3825AQ                      | UC3825BDW       | UC3825BN       | UC3825BQ                      |

(1) The DW and Q packages are also available taped and reeled. Add TR suffix to the device type (i.e., UC2823ADWR). To order quantities of 1000 devices per reel for the Q package and 2000 devices per reel for the DW package.

## 5 Pin Configuration and Functions

| T <sub>A</sub> | MAXIMUM DUTY CYCLE | UVLO (9.2 V/8.4 V)                   |                                      |
|----------------|--------------------|--------------------------------------|--------------------------------------|
|                |                    | CDIP-16 (J)                          | LCCC-20 (L)                          |
| 55°C to 125°C  | < 100%             | UC1823AJ, UC1823AJ883B, UC1823AJQMLV | UC1823AL, UC1823AL883B               |
|                | < 50%              | UC1825AJ, UC1825AJ883B, UC1825AJQMLV | UC1825AL, UC1825AL883B, UC1825ALQMLV |



## Terminal Functions

| TERMINAL |             |        | I/O | DESCRIPTION   |
|----------|-------------|--------|-----|---|
| NAME     | NO.         |        |     |   |
|          | J, N, or DW | Q or L |     |   |
| CLK/LEB  | 4           | 5      | O   | Output of the internal oscillator   |
| CT       | 6           | 8      | I   | Timing capacitor connection pin for oscillator frequency programming. The timing capacitor should be connected to the device ground using minimal trace length.   |
| EAOUT    | 3           | 4      | O   | Output of the error amplifier for compensation  |
| GND      | 10          | 13     |     | Analog ground return pin  |
| ILIM     | 9           | 12     | I   | Input to the current limit comparator   |
| INV      | 1           | 2      | I   | Inverting input to the error amplifier  |
| NI       | 2           | 3      | I   | Non-inverting input to the error amplifier  |
| OUTA     | 11          | 14     | O   | High current totem pole output A of the on-chip drive stage.  |
| OUTB     | 14          | 18     | O   | High current totem pole output B of the on-chip drive stage.  |
| PGND     | 12          | 15     |     | Ground return pin for the output driver stage   |
| RAMP     | 7           | 9      | I   | Non-inverting input to the PWM comparator with 1.25-V internal input offset. In voltage mode operation, this serves as the input voltage feed-forward function by using the CT ramp. In peak current mode operation, this serves as the slope compensation input. |
| RT       | 5           | 7      | I   | Timing resistor connection pin for oscillator frequency programming   |
| SS       | 8           | 10     | I   | Soft-start input pin which also doubles as the maximum duty cycle clamp.  |
| VC       | 13          | 17     |     | Power supply pin for the output stage. This pin should be bypassed with a 0.1- $\mu$ F monolithic ceramic low ESL capacitor with minimal trace lengths.   |
| VCC      | 15          | 19     |     | Power supply pin for the device. This pin should be bypassed with a 0.1- $\mu$ F monolithic ceramic low ESL capacitor with minimal trace lengths  |
| VREF     | 16          | 20     | O   | 5.1-V reference. For stability, the reference should be bypassed with a 0.1- $\mu$ F monolithic ceramic low ESL capacitor and minimal trace length to the ground plane.   |

## 6 Specifications

### 6.1 ABSOLUTE MAXIMUM RATINGS

over operating free-air temperature range unless otherwise noted<sup>(1)</sup>

|                    |   |               | VALUE       | UNIT |
|--------------------|---|---------------|-------------|------|
| V <sub>IN</sub>    | Supply voltage,   | VC, VCC       | 22          | V    |
| I <sub>O</sub>     | Source or sink current,DC                                     | OUTA, OUTB    | 0.5         | A    |
| I <sub>O</sub>     | Source or sink current, pulse (0.5 μs)                        | OUTA, OUTB    | 2.2         | A    |
| Analog inputs      |   | INV, NI, RAMP | - 0.3 to 7  | V    |
|                    |   | ILIM, SS      | - 0.3 to 6  | V    |
| Power ground       |   | PGND          | ±0.2        | V    |
| I <sub>CLK</sub>   | Clock output current  | CLK/LEB       | - 5         | mA   |
| I <sub>O(EA)</sub> | Error amplifier output current                                | EAOUT         | 5           | mA   |
| I <sub>SS</sub>    | Soft-start sink current                                       | SS            | 20          | mA   |
| I <sub>OSC</sub>   | Oscillator charging current                                   | RT            | - 5         | mA   |
| T <sub>J</sub>     | Operating virtual junction temperature range                  |               | - 55 to 150 | °C   |
| T <sub>stg</sub>   | Storage temperature   |               | - 65 to 150 | °C   |
|                    | Lead temperature 1,6 mm (1/16 inch) from case for 10 seconds  |               | - 55 to 150 | °C   |
| t <sub>STG</sub>   | Storage temperature   |               | - 65 to 150 | °C   |
|                    | Lead temperature 1,6 mm (1/16 inch) from cases for 10 seconds |               | 300         | °C   |

- (1) Stresses beyond those listed under *absolute maximum ratings* may cause permanent damage to the device. These are stress ratings only, and functional operation of the device at these or any other conditions beyond those indicated under *recommended operating conditions* is not implied. Exposure to absolute-maximum-rated conditions for extended periods may affect device reliability.

### 6.2 Thermal Information

| PACKAGE             | θ <sub>JA</sub>      | θ <sub>JC</sub>   |
|---------------------|----------------------|-------------------|
| J-16                | 80-120               | 28 <sup>(2)</sup> |
| N-16                | 90 <sup>(1)</sup>    | 45                |
| DW-16               | 45-90 <sup>(1)</sup> | 25                |
| PLCC-20 (Q package) | 43-75 <sup>(1)</sup> | 34                |
| LCC-20 (L package)  | 70-80                | 20 <sup>(2)</sup> |

- (1) Specified θ<sub>JA</sub> (junction to ambient) is for devices mounted to 5 in2 FR4 PC board with one ounce copper where noted. When resistance range is given, lower values are for 5 in2 aluminum PC board. Test PWB was 0.062" thick and typically used 0.635 mm trace widths for power packages and 1.3 mm trace widths for non-power packages with 100 x 100 mil probe land area at the end of each trace.
- (2) θ<sub>JC</sub> data values stated were derived from MIL-STD-1835B. MIL-STD-1835B states, "The baseline values shown are worst case (mean + 2s) for a 60 x 60 mil microcircuit device silicon die and applicable for devices with die sizes up to 14400 square mils. For device die size greater than 14400 square mils use the following values; dual-in-line, 11°C/W; flat pack, 10°C/W; pin grid array, 10°C/W".

## 6.3 ELECTRICAL CHARACTERISTICS

$T_A = -55^\circ\text{C}$  to  $125^\circ\text{C}$  for the UC1823A/UC1825A,  $T_A = -40^\circ\text{C}$  to  $85^\circ\text{C}$  for the UC2823x/UC2825x,  $T_A = 0^\circ\text{C}$  to  $70^\circ\text{C}$  for the UC3823x/UC3825x,  $R_T = 3.65\text{ k}\Omega$ ,  $C_T = 1\text{ nF}$ ,  $V_{CC} = 12\text{ V}$ ,  $T_A = T_J$  (unless otherwise noted)

| PARAMETER                              |                                      | TEST CONDITIONS   | MIN  | TYP       | MAX  | UNIT                |
|--|--------------------------------------|---|------|-----------|------|---------------------|
| <b>REFERENCE, <math>V_{REF}</math></b> |                                      |   |      |           |      |                     |
| $V_O$                                  | Output voltage range                 | $T_J = 25^\circ\text{C}$ , $I_O = 1\text{ mA}$                                | 5.05 | 5.1       | 5.15 | V                   |
|  | Line regulation                      | $12\text{ V} \leq V_{CC} \leq 20\text{ V}$                                    |      | 2         | 15   | mV                  |
|  | Load regulation                      | $1\text{ mA} \leq I_O \leq 10\text{ mA}$                                      |      | 5         | 20   |                     |
|  | Total output variation               | Line, load, temperature   | 5.03 |           | 5.17 | V                   |
|  | Temperature stability <sup>(1)</sup> | $T_{(min)} < T_A < T_{(max)}$   |      | 0.2       | 0.4  | mV/°C               |
|  | Output noise voltage <sup>(1)</sup>  | $10\text{ Hz} < f < 10\text{ kHz}$  |      | 50        |      | $\mu\text{V}_{RMS}$ |
|  | Long term stability <sup>(1)</sup>   | $T_J = 125^\circ\text{C}$ , 1000 hours  |      | 5         | 25   | mV                  |
|  | Short circuit current                | $V_{REF} = 0\text{ V}$  | 30   | 60        | 90   | mA                  |
| <b>OSCILLATOR</b>                      |                                      |   |      |           |      |                     |
| $f_{OSC}$                              | Initial accuracy <sup>(1)</sup>      | $T_J = 25^\circ\text{C}$  | 375  | 400       | 425  | kHz                 |
|  |                                      | $R_T = 6.6\text{ k}\Omega$ , $C_T = 220\text{ pF}$ , $T_A = 25^\circ\text{C}$ | 0.9  | 1         | 1.1  |                     |
|  | Total variation <sup>(1)</sup>       | Line, temperature   | 350  |           | 450  | kHz                 |
|  |                                      | $R_T = 6.6\text{ k}\Omega$ , $C_T = 220\text{ pF}$                            | 0.85 |           | 1.15 |                     |
|  | Voltage stability                    | $12\text{ V} < V_{CC} < 20\text{ V}$  |      |           | 1%   |                     |
|  | Temperature stability <sup>(1)</sup> | $T_{(min)} < T_A < T_{(max)}$   |      | $\pm 5\%$ |      |                     |
|  | High-level output voltage, clock     |   | 3.7  | 4         |      | V                   |
|  | Low-level output voltage, clock      |   |      | 0         | 0.2  |                     |
|  | Ramp peak                            |   | 2.6  | 2.8       | 3    |                     |
|  | Ramp valley                          |   | 0.7  | 1         | 1.25 |                     |
|  | Ramp valley-to-peak                  |   | 1.6  | 1.8       | 2    |                     |
|  | Oscillator discharge current         | $R_T = \text{OPEN}$ , $V_{CT} = 2\text{ V}$                                   | 9    | 10        | 11   |                     |
| <b>ERROR AMPLIFIER</b>                 |                                      |   |      |           |      |                     |
|  | Input offset voltage                 |   |      | 2         | 10   | mV                  |
|  | Input bias current                   |   |      | 0.6       | 3    |                     |
|  | Input offset current                 |   |      | 0.1       | 1    |                     |
|  | Open loop gain                       | $1\text{ V} < V_O < 4\text{ V}$   | 60   | 95        |      | dB                  |
| CMRR                                   | Common mode rejection ratio          | $1.5\text{ V} < V_{CM} < 5.5\text{ V}$  | 75   | 95        |      |                     |
| PSRR                                   | Power supply rejection ratio         | $12\text{ V} < V_{CC} < 20\text{ V}$  | 85   | 110       |      |                     |
| $I_{O(sink)}$                          | Output sink current                  | $V_{EAOUT} = 1\text{ V}$  | 1    | 2.5       |      | mA                  |
| $I_{O(src)}$                           | Output source current                | $V_{EAOUT} = 4\text{ V}$  |      | -1.3      | -0.5 |                     |
|  | High-level output voltage            | $I_{EAOUT} = -0.5\text{ mA}$  | 4.5  | 4.7       | 5    | V                   |
|  | Low-level output voltage             | $I_{EAOUT} = -1\text{ mA}$  | 0    | 0.5       | 1    |                     |
|  | Gain bandwidth product               | $f = 200\text{ kHz}$  | 6    | 12        |      | Mhz                 |
|  | Slew rate <sup>(1)</sup>             |   | 6    | 9         |      | V/ $\mu\text{s}$    |

(1) Ensured by design. Not production tested.

## 6.4 ELECTRICAL CHARACTERISTICS

$T_A = -55^{\circ}\text{C}$  to  $125^{\circ}\text{C}$  for the UC1823A/UC1825A,  $T_A = -40^{\circ}\text{C}$  to  $85^{\circ}\text{C}$  for the UC2823x/UC2825x,  $T_A = 0^{\circ}\text{C}$  to  $70^{\circ}\text{C}$  for the UC3823x/UC3825x,  $R_T = 3.65\text{ k}\Omega$ ,  $C_T = 1\text{ nF}$ ,  $V_{CC} = 12\text{ V}$ ,  $T_A = T_J$  (unless otherwise noted)

| PARAMETER                                     |   | TEST CONDITIONS   | MIN  | TYP  | MAX  | UNIT             |
|---|---|---|------|------|------|------------------|
| <b>PWM COMPARATOR</b>                         |   |   |      |      |      |                  |
| $I_{BIAS}$                                    | Bias current, RAMP                        | $V_{RAMP} = 0\text{ V}$   |      | -1   | -8   | $\mu\text{A}$    |
|   | Minimum duty cycle                        |   |      |      | 0%   |                  |
|   | Maximum duty cycle                        |   | 85%  |      |      |                  |
| $t_{LEB}$                                     | Leading edge blanking time                | $R_{LEB} = 2\text{ k}\Omega$ , $C_{LEB} = 470\text{ pF}$                  | 300  | 375  | 450  | ns               |
| $R_{LEB}$                                     | Leading edge blanking resistance          | $V_{CLK/LEB} = 3\text{ V}$  | 8.5  | 10.0 | 11.5 | $\text{k}\Omega$ |
| $V_{ZDC}$                                     | Zero dc threshold voltage, EAOUT          | $V_{RAMP} = 0\text{ V}$   | 1.10 | 1.25 | 1.4  | V                |
| $t_{DELAY}$                                   | Delay-to-output time <sup>(1)</sup>       | $V_{EAOUT} = 2.1\text{ V}$ , $V_{ILIM} = 0\text{ V}$ to $2\text{ V}$ step |      | 50   | 80   | ns               |
| <b>CURRENT LIMIT / START SEQUENCE / FAULT</b> |   |   |      |      |      |                  |
| $I_{SS}$                                      | Soft-start charge current                 | $V_{SS} = 2.5\text{ V}$   | 8    | 14   | 20   | $\mu\text{A}$    |
| $V_{SS}$                                      | Full soft-start threshold voltage         |   | 4.3  | 5    |      | V                |
| $I_{DSCH}$                                    | Restart discharge current                 | $V_{SS} = 2.5\text{ V}$   | 100  | 250  | 350  | $\mu\text{A}$    |
| $I_{SS}$                                      | Restart threshold voltage                 |   |      | 0.3  | 0.5  | V                |
| $I_{BIAS}$                                    | ILIM bias current                         | $V_{ILIM} = 0\text{ V}$ to $2\text{ V}$ step                              |      |      | 15   | $\mu\text{A}$    |
| $I_{CL}$                                      | Current limit threshold voltage           |   | 0.95 | 1    | 1.05 | V                |
|   | Overcurrent threshold voltage             |   | 1.14 | 1.2  | 1.26 |                  |
| $t_d$   | Delay-to-output time, ILIM <sup>(1)</sup> | $V_{ILIM} = 0\text{ V}$ to $2\text{ V}$ step                              |      | 50   | 80   | ns               |
| <b>OUTPUT</b>                                 |   |   |      |      |      |                  |
|   | Low-level output saturation voltage       | $I_{OUT} = 20\text{ mA}$  | 0.25 | 0.4  |      | V                |
|   |   | $I_{OUT} = 200\text{ mA}$   | 1.2  | 2.2  |      |                  |
|   | High-level output saturation voltage      | $I_{OUT} = -20\text{ mA}$   | 1.9  | 2.9  |      |                  |
|   |   | $I_{OUT} = -200\text{ mA}$  | 2    | 3    |      |                  |
| $t_r, t_f$                                    | Rise/fall time <sup>(1)</sup>             | $C_L = 1\text{ nF}$   | 20   | 45   |      | ns               |
| <b>UNDERVOLTAGE LOCKOUT (UVLO)</b>            |   |   |      |      |      |                  |
|   | Start threshold voltage                   | UC2823B, UC2825B, UC3825B, UC3825B  | 16   | 17   |      | V                |
|   |   | UC1823A, UC1825A, UC2823A, UC2825A UC3825A, UC3825A                       | 8.4  | 9.2  | 9.6  |                  |
|   | Stop threshold voltage                    | UC2823B, UC2825B, UC3825B, UC3825B  | 9    | 10   |      |                  |
|   | OVLO hysteresis                           | UC1823A, UC1825A, UC2823A, UC2825A UC3825A, UC3825A                       | 0.4  | 0.8  | 1.2  |                  |
|   |   | UC2823B, UC2825B, UC3825B, UC3825B  | 5    | 6    | 7    |                  |
| <b>SUPPLY CURRENT</b>                         |   |   |      |      |      |                  |
| $I_{su}$                                      | Startup current                           | $V_C = V_{CC} = V_{TH}(\text{start}) - 0.5\text{ V}$                      |      | 100  | 300  | $\mu\text{A}$    |
| $I_{CC}$                                      | Input current                             |   |      | 28   | 36   | mA               |

(1) Ensured by design. Not production tested.

## 7 Application and Implementation

---

### 备注

Information in the following applications sections is not part of the TI component specification, and TI does not warrant its accuracy or completeness. TI's customers are responsible for determining suitability of components for their purposes, as well as validating and testing their design implementation to confirm system functionality.

---

### 7.1 LEADING EDGE BLANKING

The UC3823A, UC2823B, UC3825A, and UC3825B perform fixed frequency pulse width modulation control. The UC3823A, and UC3823B outputs operate together at the switching frequency and can vary from zero to some value less than 100%. The UC3825A and UC3825B outputs are alternately controlled. During every other cycle, one output is off. Each output then switches at one-half the oscillator frequency, varying in duty cycle from 0 to less than 50%.

To limit maximum duty cycle, the internal clock pulse blanks both outputs low during the discharge time of the oscillator. On the falling edge of the clock, the appropriate output(s) is driven high. The end of the pulse is controlled by the PWM comparator, current limit comparator, or the overcurrent comparator.

Normally the PWM comparator senses a ramp crossing a control voltage (error amplifier output) and terminates the pulse. Leading edge blanking (LEB) causes the PWM comparator to be ignored for a fixed amount of time after the start of the pulse. This allows noise inherent with switched mode power conversion to be rejected. The PWM ramp input may not require any filtering as result of leading edge blanking.

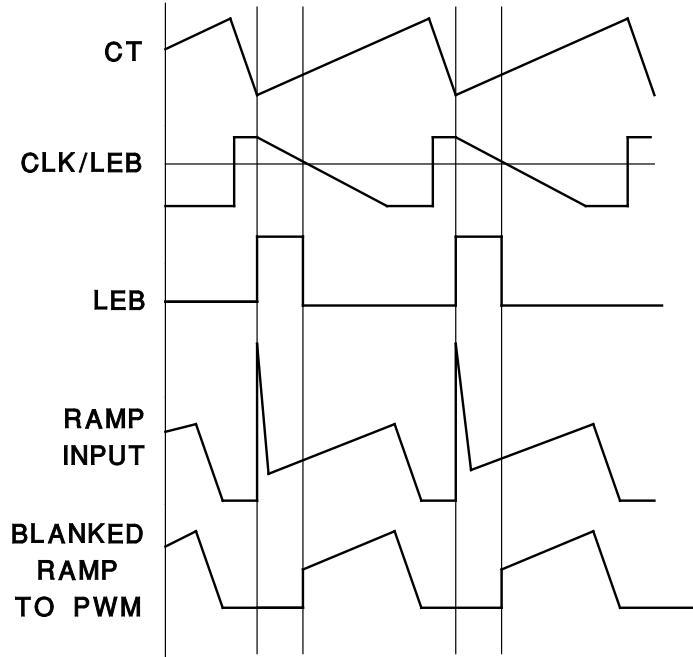
To program a leading edge blanking (LEB) period, connect a capacitor, C, to CLK/LEB. The discharge time set by C and the internal 10-k $\Omega$  resistor determines the blanked interval. The 10-k $\Omega$  resistor has a 10% tolerance. For more accuracy, an external 2-k $\Omega$  1% resistor (R) can be added, resulting in an equivalent resistance of 1.66 k $\Omega$  with a tolerance of 2.4%. The design equation is:

$$t_{LEB} = 0.5 \times (R \parallel 10 \text{ k}\Omega) \times C \quad (1)$$

Values of R less than 2 k $\Omega$  should not be used.

Leading edge blanking is also applied to the current limit comparator. After LEB, if the ILIM pin exceeds the 1-V threshold, the pulse is terminated. The overcurrent comparator, however, is not blanked. It catches catastrophic overcurrent faults without a blanking delay. Any time the ILIM pin exceeds 1.2 V, the fault latch is set and the outputs driven low. For this reason, some noise filtering may be required on the ILIM pin.





UDG-95105

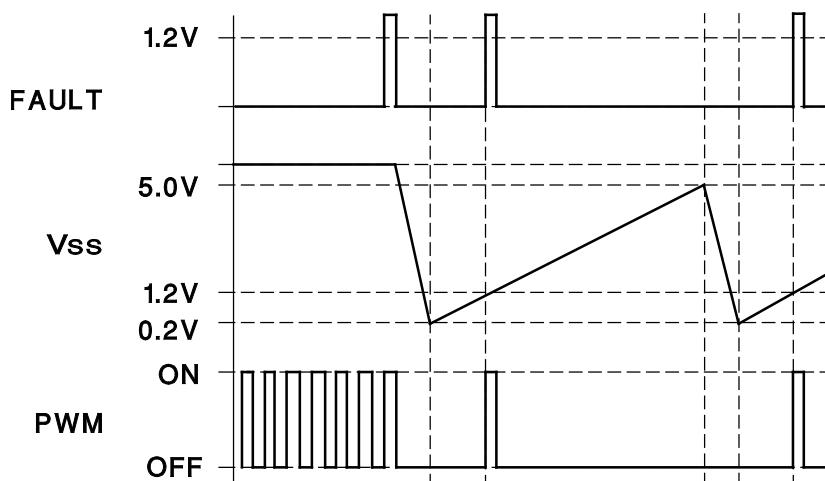
图 7-1. Leading Edge Blanking Operational Waveforms

## 7.2 UVLO、软启动和故障管理

软启动是通过 SS 引脚上的电容器编程的。上电时，SS 放电。当 SS 处于低电平状态时，误差放大器输出也被强制为低电平。当内部  $9\ \mu\text{A}$  电源为 SS 引脚充电时，误差放大器输出会随之升高，直到闭环稳压状态。

无论何时  $I_{LIM}$  超过  $1.2\text{V}$ ，故障锁存器会被置位，输出引脚会被驱动为低电平。软启动电容器然后会以  $250\ \mu\text{A}$  的灌电流放电。在软启动完全放电且  $I_{LIM}$  低于  $1.2\text{V}$  之前，不允许再出现输出脉冲。此时，故障锁存器复位，芯片执行软启动。

如果在软启动期间故障锁存被置位，则会立即终止输出，但软启动电容器在首次充满电之前不会放电。这会在连续故障情况下产生受控断续间隔。



UDG-95106

图 7-2. 软启动和故障波形

### 7.3 ACTIVE LOW OUTPUTS DURING UVLO

The UVLO function forces the outputs to be low and considers both VCC and VREF before allowing the chip to operate.

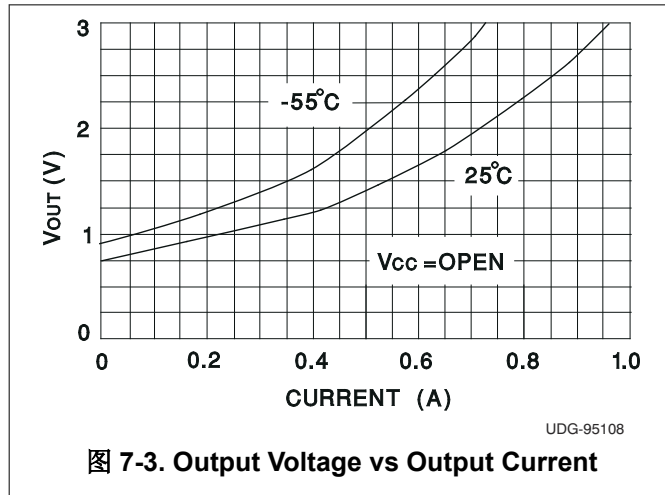


图 7-3. Output Voltage vs Output Current

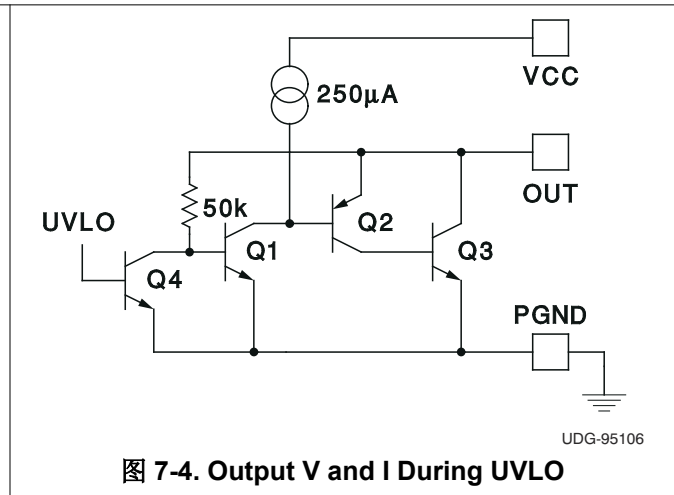


图 7-4. Output V and I During UVLO

### 7.4 CONTROL METHODS

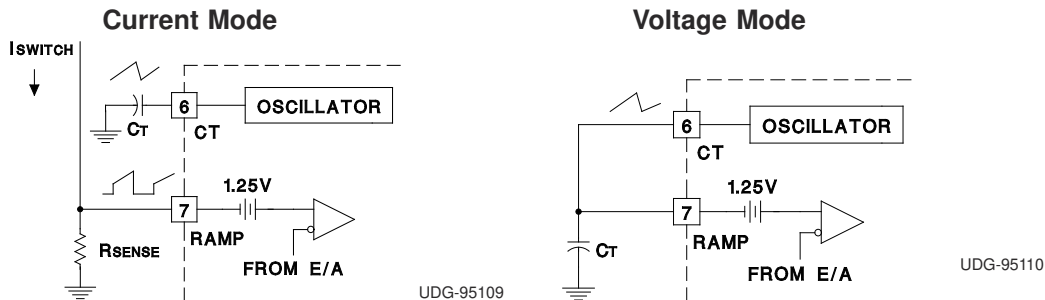
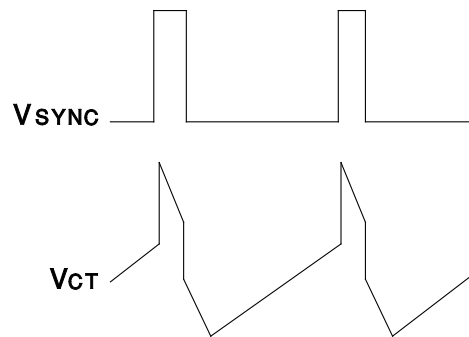
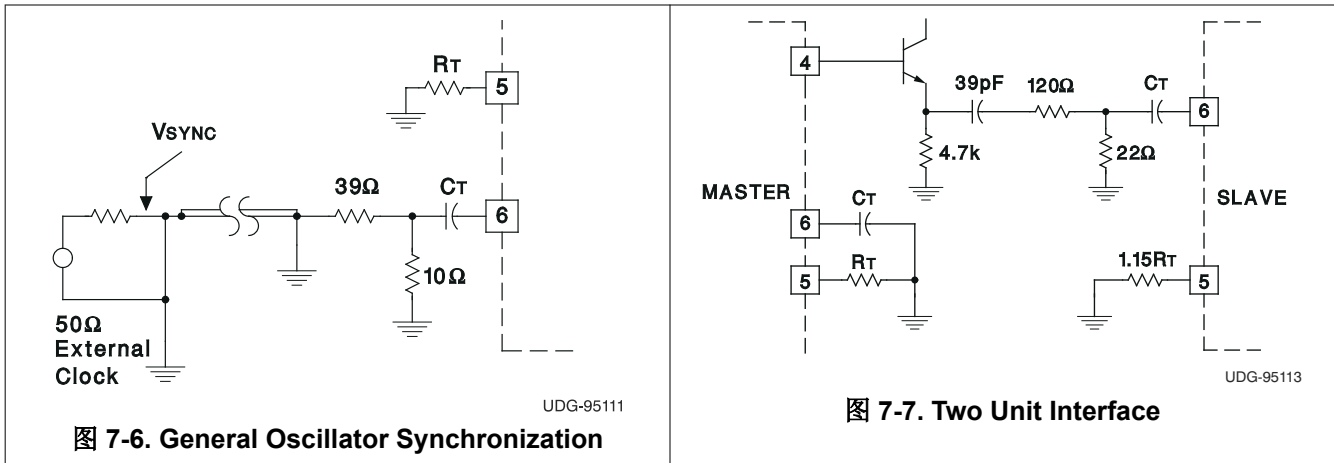


图 7-5. Control Methods

### 7.5 SYNCHRONIZATION

The oscillator can be synchronized by an external pulse inserted in series with the timing capacitor. Program the free running frequency of the oscillator to be 10% to 15% slower than the desired synchronous frequency. The pulse width should be greater than 10 ns and less than half the discharge time of the oscillator. The rising edge of the CLK/LEB pin can be used to generate a synchronizing pulse for other chips. Note that the CLK/LEB pin no longer accepts an incoming synchronizing signal.



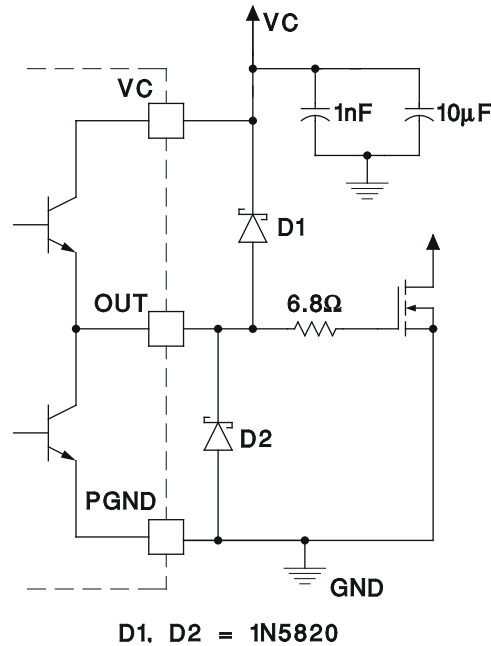
UDG-95112

图 7-8. Operational Waveforms

## 7.6 HIGH CURRENT OUTPUTS

Each totem pole output of the UC3823A and UC3823AB, UC3825A, and UC3825B can deliver a 2-A peak current into a capacitive load. The output can slew a 1000-pF capacitor by 15 V in approximately 20 ns. Separate collector supply (VC) and power ground (PGND) pins help decouple the device's analog circuitry from the high-power gate drive noise. The use of 3-A Schottky diodes (1N5120, USD245, or equivalent) as shown in the 图 7-10 from each output to both VC and PGND are recommended. The diodes clamp the output swing to the supply rails, necessary with any type of inductive/capacitive load, typical of a MOSFET gate. Schottky diodes must be used because a low forward voltage drop is required. DO NOT USE standard silicon diodes.

Although they are *single-ended* devices, two output drivers are available on the UC3823A and UC3823B devices. These can be *paralleled* by the use of a 0.5 Ω (noninductive) resistor connected in series with each output for a combined peak current of 4 A.



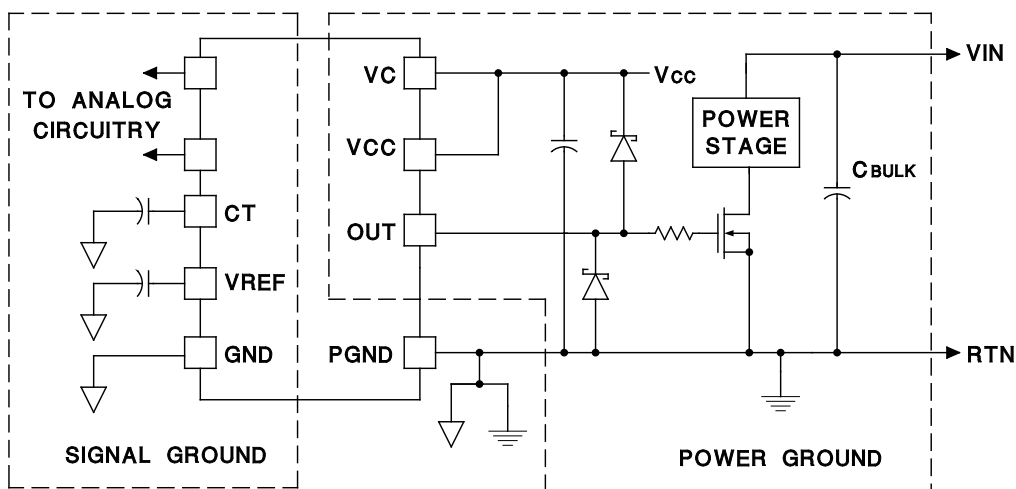
UDG-95114

图 7-9. Power MOSFET Drive Circuit

## 7.7 GROUND PLANES

Each output driver of these devices is capable of 2-A peak currents. Careful layout is essential for correct operation of the chip. A ground plane must be employed. A unique section of the ground plane must be designated for high di/dt currents associated with the output stages. This point is the power ground to which the PGND pin is connected. Power ground can be separated from the rest of the ground plane and connected at a single point, although this is not necessary if the high di/dt paths are well understood and accounted for. VCC should be bypassed directly to power ground with a good high frequency capacitor. The sources of the power MOSFET should connect to power ground as should the return connection for input power to the system and the bulk input capacitor. The output should be clamped with a high current Schottky diode to both VCC and PGND. Nothing else should be connected to power ground.

VREF should be bypassed directly to the signal portion of the ground plane with a good high frequency capacitor. Low ESR/ESL ceramic 1-mF capacitors are recommended for both VCC and VREF. All analog circuitry should likewise be bypassed to the signal ground plane.

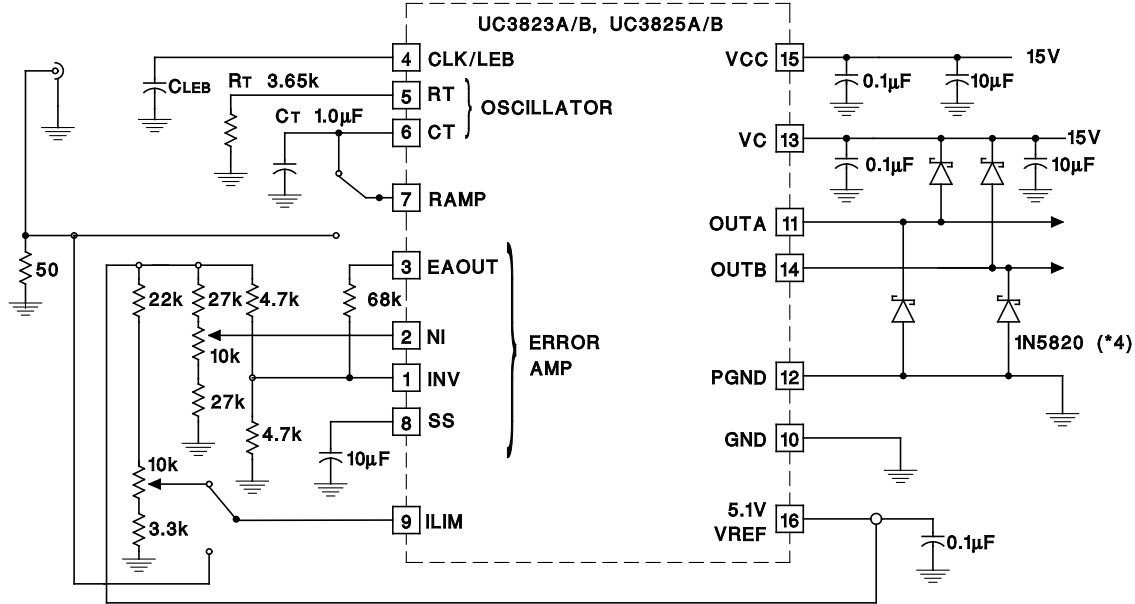


UDG-95115

图 7-10. Ground Planes Diagram

## 7.8 OPEN LOOP TEST CIRCUIT

This test fixture is useful for exercising many functions of this device family and measuring their specifications. As with any wideband circuit, careful grounding and bypass procedures should be followed. The use of a ground plane is highly recommended.



UDG-95116

图 7-11. Open Loop Test Circuit Schematic

## 8 Device and Documentation Support

### 8.1 Documentation Support

#### 8.2 接收文档更新通知

要接收文档更新通知，请导航至 [ti.com](http://ti.com) 上的器件产品文件夹。点击 [订阅更新](#) 进行注册，即可每周接收产品信息更改摘要。有关更改的详细信息，请查看任何已修订文档中包含的修订历史记录。

#### 8.3 支持资源

[TI E2E™ 支持论坛](#) 是工程师的重要参考资料，可直接从专家获得快速、经过验证的解答和设计帮助。搜索现有解答或提出自己的问题可获得所需的快速设计帮助。

链接的内容由各个贡献者“按原样”提供。这些内容并不构成 TI 技术规范，并且不一定反映 TI 的观点；请参阅 TI 的《[使用条款](#)》。

#### 8.4 Trademarks

TI E2E™ is a trademark of Texas Instruments.

所有商标均为其各自所有者的财产。

#### 8.5 Electrostatic Discharge Caution



This integrated circuit can be damaged by ESD. Texas Instruments recommends that all integrated circuits be handled with appropriate precautions. Failure to observe proper handling and installation procedures can cause damage.

ESD damage can range from subtle performance degradation to complete device failure. Precision integrated circuits may be more susceptible to damage because very small parametric changes could cause the device not to meet its published specifications.

#### 8.6 术语表

##### TI 术语表

本术语表列出并解释了术语、首字母缩略词和定义。

## 9 Mechanical, Packaging, and Orderable Information

The following pages include mechanical, packaging, and orderable information. This information is the most current data available for the designated devices. This data is subject to change without notice and revision of this document. For browser-based versions of this data sheet, refer to the left-hand navigation.

**PACKAGING INFORMATION**

| Orderable part number           | Status<br>(1) | Material type<br>(2) | Package   Pins | Package qty   Carrier | RoHS<br>(3) | Lead finish/<br>Ball material<br>(4) | MSL rating/<br>Peak reflow<br>(5) | Op temp (°C) | Part marking<br>(6)                     |
|---------------------------------|---------------|----------------------|----------------|-----------------------|-------------|--------------------------------------|-----------------------------------|--------------|---|
| <a href="#">5962-87681022A</a>  | Active        | Production           | LCCC (FK)   20 | 55   TUBE             | No          | SNPB                                 | N/A for Pkg Type                  | -55 to 125   | 5962-<br>87681022A<br>UC1825AL/<br>883B |
| <a href="#">5962-8768102EA</a>  | Active        | Production           | CDIP (J)   16  | 25   TUBE             | No          | SNPB                                 | N/A for Pkg Type                  | -55 to 125   | 5962-8768102EA<br>UC1825AJ/883B         |
| <a href="#">5962-89905022A</a>  | Active        | Production           | LCCC (FK)   20 | 55   TUBE             | No          | SNPB                                 | N/A for Pkg Type                  | -55 to 125   | 5962-<br>89905022A<br>UC1823AL/<br>883B |
| <a href="#">5962-8990502EA</a>  | Active        | Production           | CDIP (J)   16  | 25   TUBE             | No          | SNPB                                 | N/A for Pkg Type                  | -55 to 125   | 5962-8990502EA<br>UC1823AJ/883B         |
| <a href="#">5962-8990502VEA</a> | Active        | Production           | CDIP (J)   16  | 25   TUBE             | No          | SNPB                                 | N/A for Pkg Type                  | -55 to 125   | 5962-8990502VE<br>A<br>UC1823AJQMLV     |
| 5962-8990502VEA.A               | Active        | Production           | CDIP (J)   16  | 25   TUBE             | No          | SNPB                                 | N/A for Pkg Type                  | -55 to 125   | 5962-8990502VE<br>A<br>UC1823AJQMLV     |
| <a href="#">UC1823AJ</a>        | Active        | Production           | CDIP (J)   16  | 25   TUBE             | No          | SNPB                                 | N/A for Pkg Type                  | -55 to 125   | UC1823AJ                                |
| UC1823AJ.A                      | Active        | Production           | CDIP (J)   16  | 25   TUBE             | No          | SNPB                                 | N/A for Pkg Type                  | -55 to 125   | UC1823AJ                                |
| <a href="#">UC1823AJ883B</a>    | Active        | Production           | CDIP (J)   16  | 25   TUBE             | No          | SNPB                                 | N/A for Pkg Type                  | -55 to 125   | 5962-8990502EA<br>UC1823AJ/883B         |
| UC1823AJ883B.A                  | Active        | Production           | CDIP (J)   16  | 25   TUBE             | No          | SNPB                                 | N/A for Pkg Type                  | -55 to 125   | 5962-8990502EA<br>UC1823AJ/883B         |
| <a href="#">UC1823AL</a>        | Active        | Production           | LCCC (FK)   20 | 55   TUBE             | No          | SNPB                                 | N/A for Pkg Type                  | -55 to 125   | UC1823AL                                |
| UC1823AL.A                      | Active        | Production           | LCCC (FK)   20 | 55   TUBE             | No          | SNPB                                 | N/A for Pkg Type                  | -55 to 125   | UC1823AL                                |
| <a href="#">UC1823AL883B</a>    | Active        | Production           | LCCC (FK)   20 | 55   TUBE             | No          | SNPB                                 | N/A for Pkg Type                  | -55 to 125   | 5962-<br>89905022A<br>UC1823AL/<br>883B |
| UC1823AL883B.A                  | Active        | Production           | LCCC (FK)   20 | 55   TUBE             | No          | SNPB                                 | N/A for Pkg Type                  | -55 to 125   | 5962-<br>89905022A<br>UC1823AL/<br>883B |



| Orderable part number        | Status<br>(1) | Material type<br>(2) | Package   Pins | Package qty   Carrier | RoHS<br>(3) | Lead finish/<br>Ball material<br>(4) | MSL rating/<br>Peak reflow<br>(5) | Op temp (°C) | Part marking<br>(6)                     |
|------------------------------|---------------|----------------------|----------------|-----------------------|-------------|--------------------------------------|-----------------------------------|--------------|---|
| <a href="#">UC1825AJ</a>     | Active        | Production           | CDIP (J)   16  | 25   TUBE             | No          | SNPB                                 | N/A for Pkg Type                  | -55 to 125   | UC1825AJ                                |
| UC1825AJ.A                   | Active        | Production           | CDIP (J)   16  | 25   TUBE             | No          | SNPB                                 | N/A for Pkg Type                  | -55 to 125   | UC1825AJ                                |
| <a href="#">UC1825AJ883B</a> | Active        | Production           | CDIP (J)   16  | 25   TUBE             | No          | SNPB                                 | N/A for Pkg Type                  | -55 to 125   | 5962-8768102EA<br>UC1825AJ/883B         |
| UC1825AJ883B.A               | Active        | Production           | CDIP (J)   16  | 25   TUBE             | No          | SNPB                                 | N/A for Pkg Type                  | -55 to 125   | 5962-8768102EA<br>UC1825AJ/883B         |
| <a href="#">UC1825AL</a>     | Active        | Production           | LCCC (FK)   20 | 55   TUBE             | No          | SNPB                                 | N/A for Pkg Type                  | -55 to 125   | UC1825AL                                |
| UC1825AL.A                   | Active        | Production           | LCCC (FK)   20 | 55   TUBE             | No          | SNPB                                 | N/A for Pkg Type                  | -55 to 125   | UC1825AL                                |
| <a href="#">UC1825AL883B</a> | Active        | Production           | LCCC (FK)   20 | 55   TUBE             | No          | SNPB                                 | N/A for Pkg Type                  | -55 to 125   | 5962-<br>87681022A<br>UC1825AL/<br>883B |
| UC1825AL883B.A               | Active        | Production           | LCCC (FK)   20 | 55   TUBE             | No          | SNPB                                 | N/A for Pkg Type                  | -55 to 125   | 5962-<br>87681022A<br>UC1825AL/<br>883B |
| <a href="#">UC2823ADW</a>    | Active        | Production           | SOIC (DW)   16 | 40   TUBE             | Yes         | NIPDAU                               | Level-2-260C-1 YEAR               | -40 to 85    | UC2823ADW                               |
| UC2823ADW.A                  | Active        | Production           | SOIC (DW)   16 | 40   TUBE             | Yes         | NIPDAU                               | Level-2-260C-1 YEAR               | -40 to 85    | UC2823ADW                               |
| <a href="#">UC2823ADWTR</a>  | Active        | Production           | SOIC (DW)   16 | 2000   LARGE T&R      | Yes         | NIPDAU                               | Level-2-260C-1 YEAR               | -40 to 85    | UC2823ADW                               |
| UC2823ADWTR.A                | Active        | Production           | SOIC (DW)   16 | 2000   LARGE T&R      | Yes         | NIPDAU                               | Level-2-260C-1 YEAR               | -40 to 85    | UC2823ADW                               |
| <a href="#">UC2823AN</a>     | Active        | Production           | PDIP (N)   16  | 25   TUBE             | Yes         | NIPDAU                               | N/A for Pkg Type                  | -40 to 85    | UC2823AN                                |
| UC2823AN.A                   | Active        | Production           | PDIP (N)   16  | 25   TUBE             | Yes         | NIPDAU                               | N/A for Pkg Type                  | -40 to 85    | UC2823AN                                |
| <a href="#">UC2823BDW</a>    | Active        | Production           | SOIC (DW)   16 | 40   TUBE             | Yes         | NIPDAU                               | Level-2-260C-1 YEAR               | -40 to 85    | UC2823BDW                               |
| UC2823BDW.A                  | Active        | Production           | SOIC (DW)   16 | 40   TUBE             | Yes         | NIPDAU                               | Level-2-260C-1 YEAR               | -40 to 85    | UC2823BDW                               |
| <a href="#">UC2825ADW</a>    | Active        | Production           | SOIC (DW)   16 | 40   TUBE             | Yes         | NIPDAU                               | Level-2-260C-1 YEAR               | -40 to 85    | UC2825ADW                               |
| UC2825ADW.A                  | Active        | Production           | SOIC (DW)   16 | 40   TUBE             | Yes         | NIPDAU                               | Level-2-260C-1 YEAR               | -40 to 85    | UC2825ADW                               |
| UC2825ADWG4                  | Active        | Production           | SOIC (DW)   16 | 40   TUBE             | Yes         | NIPDAU                               | Level-2-260C-1 YEAR               | -40 to 85    | UC2825ADW                               |
| <a href="#">UC2825ADWTR</a>  | Active        | Production           | SOIC (DW)   16 | 2000   LARGE T&R      | Yes         | NIPDAU                               | Level-2-260C-1 YEAR               | -40 to 85    | UC2825ADW                               |
| UC2825ADWTR.A                | Active        | Production           | SOIC (DW)   16 | 2000   LARGE T&R      | Yes         | NIPDAU                               | Level-2-260C-1 YEAR               | -40 to 85    | UC2825ADW                               |
| UC2825ADWTRG4                | Active        | Production           | SOIC (DW)   16 | 2000   LARGE T&R      | Yes         | NIPDAU                               | Level-2-260C-1 YEAR               | -40 to 85    | UC2825ADW                               |
| <a href="#">UC2825AN</a>     | Active        | Production           | PDIP (N)   16  | 25   TUBE             | Yes         | NIPDAU                               | N/A for Pkg Type                  | -40 to 85    | UC2825AN                                |
| UC2825AN.A                   | Active        | Production           | PDIP (N)   16  | 25   TUBE             | Yes         | NIPDAU                               | N/A for Pkg Type                  | -40 to 85    | UC2825AN                                |
| UC2825ANG4                   | Active        | Production           | PDIP (N)   16  | 25   TUBE             | Yes         | NIPDAU                               | N/A for Pkg Type                  | -40 to 85    | UC2825AN                                |

| Orderable part number       | Status<br>(1) | Material type<br>(2) | Package   Pins | Package qty   Carrier | RoHS<br>(3) | Lead finish/<br>Ball material<br>(4) | MSL rating/<br>Peak reflow<br>(5) | Op temp (°C) | Part marking<br>(6) |
|-----------------------------|---------------|----------------------|----------------|-----------------------|-------------|--------------------------------------|-----------------------------------|--------------|---------------------|
| <a href="#">UC2825BDW</a>   | Active        | Production           | SOIC (DW)   16 | 40   TUBE             | Yes         | NIPDAU                               | Level-2-260C-1 YEAR               | -40 to 85    | UC2825BDW           |
| UC2825BDW.A                 | Active        | Production           | SOIC (DW)   16 | 40   TUBE             | Yes         | NIPDAU                               | Level-2-260C-1 YEAR               | -40 to 85    | UC2825BDW           |
| UC2825BDWG4                 | Active        | Production           | SOIC (DW)   16 | 40   TUBE             | Yes         | NIPDAU                               | Level-2-260C-1 YEAR               | -40 to 85    | UC2825BDW           |
| <a href="#">UC2825BN</a>    | Active        | Production           | PDIP (N)   16  | 25   TUBE             | Yes         | NIPDAU                               | N/A for Pkg Type                  | -40 to 85    | UC2825BN            |
| UC2825BN.A                  | Active        | Production           | PDIP (N)   16  | 25   TUBE             | Yes         | NIPDAU                               | N/A for Pkg Type                  | -40 to 85    | UC2825BN            |
| <a href="#">UC3823ADW</a>   | Active        | Production           | SOIC (DW)   16 | 40   TUBE             | Yes         | NIPDAU                               | Level-2-260C-1 YEAR               | 0 to 70      | UC3823ADW           |
| UC3823ADW.A                 | Active        | Production           | SOIC (DW)   16 | 40   TUBE             | Yes         | NIPDAU                               | Level-2-260C-1 YEAR               | 0 to 70      | UC3823ADW           |
| <a href="#">UC3823ADWTR</a> | Active        | Production           | SOIC (DW)   16 | 2000   LARGE T&R      | Yes         | NIPDAU                               | Level-2-260C-1 YEAR               | 0 to 70      | UC3823ADW           |
| UC3823ADWTR.A               | Active        | Production           | SOIC (DW)   16 | 2000   LARGE T&R      | Yes         | NIPDAU                               | Level-2-260C-1 YEAR               | 0 to 70      | UC3823ADW           |
| <a href="#">UC3823AN</a>    | Active        | Production           | PDIP (N)   16  | 25   TUBE             | Yes         | NIPDAU                               | N/A for Pkg Type                  | 0 to 70      | UC3823AN            |
| UC3823AN.A                  | Active        | Production           | PDIP (N)   16  | 25   TUBE             | Yes         | NIPDAU                               | N/A for Pkg Type                  | 0 to 70      | UC3823AN            |
| <a href="#">UC3823BDW</a>   | Active        | Production           | SOIC (DW)   16 | 40   TUBE             | Yes         | NIPDAU                               | Level-2-260C-1 YEAR               | 0 to 70      | UC3823BDW           |
| UC3823BDW.A                 | Active        | Production           | SOIC (DW)   16 | 40   TUBE             | Yes         | NIPDAU                               | Level-2-260C-1 YEAR               | 0 to 70      | UC3823BDW           |
| <a href="#">UC3823BDWTR</a> | Active        | Production           | SOIC (DW)   16 | 2000   LARGE T&R      | Yes         | NIPDAU                               | Level-2-260C-1 YEAR               | 0 to 70      | UC3823BDW           |
| UC3823BDWTR.A               | Active        | Production           | SOIC (DW)   16 | 2000   LARGE T&R      | Yes         | NIPDAU                               | Level-2-260C-1 YEAR               | 0 to 70      | UC3823BDW           |
| <a href="#">UC3825ADW</a>   | Active        | Production           | SOIC (DW)   16 | 40   TUBE             | Yes         | NIPDAU                               | Level-2-260C-1 YEAR               | 0 to 70      | UC3825ADW           |
| UC3825ADW.A                 | Active        | Production           | SOIC (DW)   16 | 40   TUBE             | Yes         | NIPDAU                               | Level-2-260C-1 YEAR               | 0 to 70      | UC3825ADW           |
| UC3825ADWG4                 | Active        | Production           | SOIC (DW)   16 | 40   TUBE             | Yes         | NIPDAU                               | Level-2-260C-1 YEAR               | 0 to 70      | UC3825ADW           |
| <a href="#">UC3825ADWTR</a> | Active        | Production           | SOIC (DW)   16 | 2000   LARGE T&R      | Yes         | NIPDAU                               | Level-2-260C-1 YEAR               | 0 to 70      | UC3825ADW           |
| UC3825ADWTR.A               | Active        | Production           | SOIC (DW)   16 | 2000   LARGE T&R      | Yes         | NIPDAU                               | Level-2-260C-1 YEAR               | 0 to 70      | UC3825ADW           |
| UC3825ADWTRG4               | Active        | Production           | SOIC (DW)   16 | 2000   LARGE T&R      | Yes         | NIPDAU                               | Level-2-260C-1 YEAR               | 0 to 70      | UC3825ADW           |
| <a href="#">UC3825AN</a>    | Active        | Production           | PDIP (N)   16  | 25   TUBE             | Yes         | NIPDAU                               | N/A for Pkg Type                  | 0 to 70      | UC3825AN            |
| UC3825AN.A                  | Active        | Production           | PDIP (N)   16  | 25   TUBE             | Yes         | NIPDAU                               | N/A for Pkg Type                  | 0 to 70      | UC3825AN            |
| UC3825ANG4                  | Active        | Production           | PDIP (N)   16  | 25   TUBE             | Yes         | NIPDAU                               | N/A for Pkg Type                  | 0 to 70      | UC3825AN            |
| <a href="#">UC3825BDW</a>   | Active        | Production           | SOIC (DW)   16 | 40   TUBE             | Yes         | NIPDAU                               | Level-2-260C-1 YEAR               | 0 to 70      | UC3825BDW           |
| UC3825BDW.A                 | Active        | Production           | SOIC (DW)   16 | 40   TUBE             | Yes         | NIPDAU                               | Level-2-260C-1 YEAR               | 0 to 70      | UC3825BDW           |
| <a href="#">UC3825BDWTR</a> | Obsolete      | Production           | SOIC (DW)   16 | -                     | -           | Call TI                              | Call TI                           | 0 to 70      | UC3825BDW           |
| <a href="#">UC3825BN</a>    | Active        | Production           | PDIP (N)   16  | 25   TUBE             | Yes         | NIPDAU                               | N/A for Pkg Type                  | 0 to 70      | UC3825BN            |
| UC3825BN.A                  | Active        | Production           | PDIP (N)   16  | 25   TUBE             | Yes         | NIPDAU                               | N/A for Pkg Type                  | 0 to 70      | UC3825BN            |

(1) Status: For more details on status, see our [product life cycle](#).

(2) **Material type:** When designated, preproduction parts are prototypes/experimental devices, and are not yet approved or released for full production. Testing and final process, including without limitation quality assurance, reliability performance testing, and/or process qualification, may not yet be complete, and this item is subject to further changes or possible discontinuation. If available for ordering, purchases will be subject to an additional waiver at checkout, and are intended for early internal evaluation purposes only. These items are sold without warranties of any kind.

(3) **RoHS values:** Yes, No, RoHS Exempt. See the [TI RoHS Statement](#) for additional information and value definition.

(4) **Lead finish/Ball material:** Parts may have multiple material finish options. Finish options are separated by a vertical ruled line. Lead finish/Ball material values may wrap to two lines if the finish value exceeds the maximum column width.

(5) **MSL rating/Peak reflow:** The moisture sensitivity level ratings and peak solder (reflow) temperatures. In the event that a part has multiple moisture sensitivity ratings, only the lowest level per JEDEC standards is shown. Refer to the shipping label for the actual reflow temperature that will be used to mount the part to the printed circuit board.

(6) **Part marking:** There may be an additional marking, which relates to the logo, the lot trace code information, or the environmental category of the part.

Multiple part markings will be inside parentheses. Only one part marking contained in parentheses and separated by a "-" will appear on a part. If a line is indented then it is a continuation of the previous line and the two combined represent the entire part marking for that device.

**Important Information and Disclaimer:**The information provided on this page represents TI's knowledge and belief as of the date that it is provided. TI bases its knowledge and belief on information provided by third parties, and makes no representation or warranty as to the accuracy of such information. Efforts are underway to better integrate information from third parties. TI has taken and continues to take reasonable steps to provide representative and accurate information but may not have conducted destructive testing or chemical analysis on incoming materials and chemicals. TI and TI suppliers consider certain information to be proprietary, and thus CAS numbers and other limited information may not be available for release.

In no event shall TI's liability arising out of such information exceed the total purchase price of the TI part(s) at issue in this document sold by TI to Customer on an annual basis.

**OTHER QUALIFIED VERSIONS OF UC1823A, UC1823A-SP, UC1825A, UC2825A, UC3823A, UC3825A :**

- Catalog : [UC3823A](#), [UC1823A](#), [UC3825A](#)
- Automotive : [UC2825A-Q1](#)
- Enhanced Product : [UC2825A-EP](#)
- Military : [UC1823A](#), [UC1825A](#)
- Space : [UC1823A-SP](#), [UC1825A-SP](#)

NOTE: Qualified Version Definitions:

- Catalog - TI's standard catalog product
- Automotive - Q100 devices qualified for high-reliability automotive applications targeting zero defects
- Enhanced Product - Supports Defense, Aerospace and Medical Applications
- Military - QML certified for Military and Defense Applications
- Space - Radiation tolerant, ceramic packaging and qualified for use in Space-based application

**TAPE AND REEL INFORMATION**

**QUADRANT ASSIGNMENTS FOR PIN 1 ORIENTATION IN TAPE**

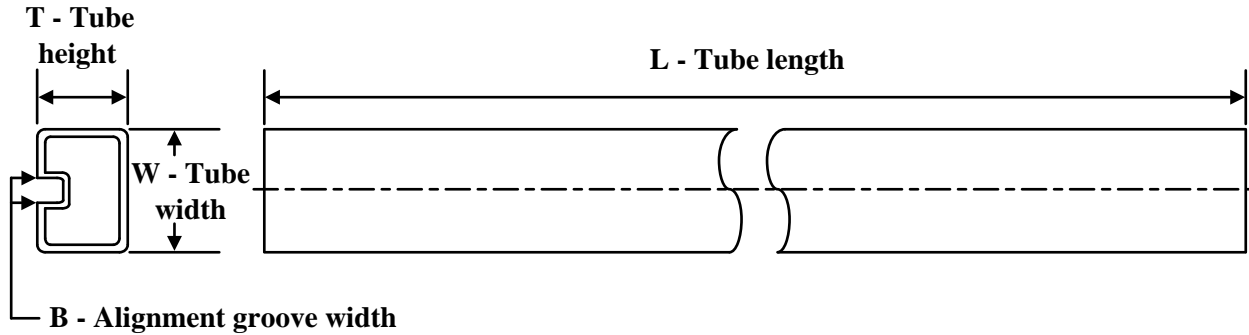

\*All dimensions are nominal

| Device      | Package Type | Package Drawing | Pins | SPQ  | Reel Diameter (mm) | Reel Width W1 (mm) | A0 (mm) | B0 (mm) | K0 (mm) | P1 (mm) | W (mm) | Pin1 Quadrant |
|-------------|--------------|-----------------|------|------|--------------------|--------------------|---------|---------|---------|---------|--------|---------------|
| UC2823ADWTR | SOIC         | DW              | 16   | 2000 | 330.0              | 16.4               | 10.75   | 10.7    | 2.7     | 12.0    | 16.0   | Q1            |
| UC2825ADWTR | SOIC         | DW              | 16   | 2000 | 330.0              | 16.4               | 10.75   | 10.7    | 2.7     | 12.0    | 16.0   | Q1            |
| UC3823ADWTR | SOIC         | DW              | 16   | 2000 | 330.0              | 16.4               | 10.75   | 10.7    | 2.7     | 12.0    | 16.0   | Q1            |
| UC3823BDWTR | SOIC         | DW              | 16   | 2000 | 330.0              | 16.4               | 10.75   | 10.7    | 2.7     | 12.0    | 16.0   | Q1            |
| UC3825ADWTR | SOIC         | DW              | 16   | 2000 | 330.0              | 16.4               | 10.75   | 10.7    | 2.7     | 12.0    | 16.0   | Q1            |

**TAPE AND REEL BOX DIMENSIONS**


\*All dimensions are nominal

| Device      | Package Type | Package Drawing | Pins | SPQ  | Length (mm) | Width (mm) | Height (mm) |
|-------------|--------------|-----------------|------|------|-------------|------------|-------------|
| UC2823ADWTR | SOIC         | DW              | 16   | 2000 | 353.0       | 353.0      | 32.0        |
| UC2825ADWTR | SOIC         | DW              | 16   | 2000 | 353.0       | 353.0      | 32.0        |
| UC3823ADWTR | SOIC         | DW              | 16   | 2000 | 353.0       | 353.0      | 32.0        |
| UC3823BDWTR | SOIC         | DW              | 16   | 2000 | 353.0       | 353.0      | 32.0        |
| UC3825ADWTR | SOIC         | DW              | 16   | 2000 | 353.0       | 353.0      | 32.0        |

**TUBE**


\*All dimensions are nominal

| Device         | Package Name | Package Type | Pins | SPQ | L (mm) | W (mm) | T (µm) | B (mm) |
|----------------|--------------|--------------|------|-----|--------|--------|--------|--------|
| 5962-87681022A | FK           | LCCC         | 20   | 55  | 506.98 | 12.06  | 2030   | NA     |
| 5962-89905022A | FK           | LCCC         | 20   | 55  | 506.98 | 12.06  | 2030   | NA     |
| UC1823AL       | FK           | LCCC         | 20   | 55  | 506.98 | 12.06  | 2030   | NA     |
| UC1823AL.A     | FK           | LCCC         | 20   | 55  | 506.98 | 12.06  | 2030   | NA     |
| UC1823AL883B   | FK           | LCCC         | 20   | 55  | 506.98 | 12.06  | 2030   | NA     |
| UC1823AL883B.A | FK           | LCCC         | 20   | 55  | 506.98 | 12.06  | 2030   | NA     |
| UC1825AJ       | J            | CDIP         | 16   | 25  | 506.98 | 15.24  | 13440  | NA     |
| UC1825AJ.A     | J            | CDIP         | 16   | 25  | 506.98 | 15.24  | 13440  | NA     |
| UC1825AL       | FK           | LCCC         | 20   | 55  | 506.98 | 12.06  | 2030   | NA     |
| UC1825AL.A     | FK           | LCCC         | 20   | 55  | 506.98 | 12.06  | 2030   | NA     |
| UC1825AL883B   | FK           | LCCC         | 20   | 55  | 506.98 | 12.06  | 2030   | NA     |
| UC1825AL883B.A | FK           | LCCC         | 20   | 55  | 506.98 | 12.06  | 2030   | NA     |
| UC2823ADW      | DW           | SOIC         | 16   | 40  | 507    | 12.83  | 5080   | 6.6    |
| UC2823ADW.A    | DW           | SOIC         | 16   | 40  | 507    | 12.83  | 5080   | 6.6    |
| UC2823AN       | N            | PDIP         | 16   | 25  | 506    | 13.97  | 11230  | 4.32   |
| UC2823AN.A     | N            | PDIP         | 16   | 25  | 506    | 13.97  | 11230  | 4.32   |
| UC2823BDW      | DW           | SOIC         | 16   | 40  | 507    | 12.83  | 5080   | 6.6    |
| UC2823BDW.A    | DW           | SOIC         | 16   | 40  | 507    | 12.83  | 5080   | 6.6    |
| UC2825ADW      | DW           | SOIC         | 16   | 40  | 507    | 12.83  | 5080   | 6.6    |
| UC2825ADW.A    | DW           | SOIC         | 16   | 40  | 507    | 12.83  | 5080   | 6.6    |
| UC2825ADWG4    | DW           | SOIC         | 16   | 40  | 507    | 12.83  | 5080   | 6.6    |
| UC2825AN       | N            | PDIP         | 16   | 25  | 506    | 13.97  | 11230  | 4.32   |
| UC2825AN.A     | N            | PDIP         | 16   | 25  | 506    | 13.97  | 11230  | 4.32   |
| UC2825ANG4     | N            | PDIP         | 16   | 25  | 506    | 13.97  | 11230  | 4.32   |
| UC2825BDW      | DW           | SOIC         | 16   | 40  | 507    | 12.83  | 5080   | 6.6    |
| UC2825BDW.A    | DW           | SOIC         | 16   | 40  | 507    | 12.83  | 5080   | 6.6    |
| UC2825BDWG4    | DW           | SOIC         | 16   | 40  | 507    | 12.83  | 5080   | 6.6    |
| UC2825BN       | N            | PDIP         | 16   | 25  | 506    | 13.97  | 11230  | 4.32   |
| UC2825BN.A     | N            | PDIP         | 16   | 25  | 506    | 13.97  | 11230  | 4.32   |

| Device      | Package Name | Package Type | Pins | SPQ | L (mm) | W (mm) | T (µm) | B (mm) |
|-------------|--------------|--------------|------|-----|--------|--------|--------|--------|
| UC3823ADW   | DW           | SOIC         | 16   | 40  | 507    | 12.83  | 5080   | 6.6    |
| UC3823ADW.A | DW           | SOIC         | 16   | 40  | 507    | 12.83  | 5080   | 6.6    |
| UC3823AN    | N            | PDIP         | 16   | 25  | 506    | 13.97  | 11230  | 4.32   |
| UC3823AN.A  | N            | PDIP         | 16   | 25  | 506    | 13.97  | 11230  | 4.32   |
| UC3823BDW   | DW           | SOIC         | 16   | 40  | 507    | 12.83  | 5080   | 6.6    |
| UC3823BDW.A | DW           | SOIC         | 16   | 40  | 507    | 12.83  | 5080   | 6.6    |
| UC3825ADW   | DW           | SOIC         | 16   | 40  | 507    | 12.83  | 5080   | 6.6    |
| UC3825ADW.A | DW           | SOIC         | 16   | 40  | 507    | 12.83  | 5080   | 6.6    |
| UC3825ADWG4 | DW           | SOIC         | 16   | 40  | 507    | 12.83  | 5080   | 6.6    |
| UC3825AN    | N            | PDIP         | 16   | 25  | 506    | 13.97  | 11230  | 4.32   |
| UC3825AN.A  | N            | PDIP         | 16   | 25  | 506    | 13.97  | 11230  | 4.32   |
| UC3825ANG4  | N            | PDIP         | 16   | 25  | 506    | 13.97  | 11230  | 4.32   |
| UC3825BDW   | DW           | SOIC         | 16   | 40  | 507    | 12.83  | 5080   | 6.6    |
| UC3825BDW.A | DW           | SOIC         | 16   | 40  | 507    | 12.83  | 5080   | 6.6    |
| UC3825BN    | N            | PDIP         | 16   | 25  | 506    | 13.97  | 11230  | 4.32   |
| UC3825BN.A  | N            | PDIP         | 16   | 25  | 506    | 13.97  | 11230  | 4.32   |



## 重要通知和免责声明

TI“按原样”提供技术和可靠性数据（包括数据表）、设计资源（包括参考设计）、应用或其他设计建议、网络工具、安全信息和其他资源，不保证没有瑕疵且不做任何明示或暗示的担保，包括但不限于对适销性、与某特定用途的适用性或不侵犯任何第三方知识产权的暗示担保。

这些资源可供使用 TI 产品进行设计的熟练开发人员使用。您将自行承担以下全部责任：(1) 针对您的应用选择合适的 TI 产品，(2) 设计、验证并测试您的应用，(3) 确保您的应用满足相应标准以及任何其他安全、安保法规或其他要求。

这些资源如有变更，恕不另行通知。TI 授权您仅可将这些资源用于研发本资源所述的 TI 产品的相关应用。严禁以其他方式对这些资源进行复制或展示。您无权使用任何其他 TI 知识产权或任何第三方知识产权。对于因您对这些资源的使用而对 TI 及其代表造成的任何索赔、损害、成本、损失和债务，您将全额赔偿，TI 对此概不负责。

TI 提供的产品受 [TI 销售条款](#)、[TI 通用质量指南](#) 或 [ti.com](#) 上其他适用条款或 TI 产品随附的其他适用条款的约束。TI 提供这些资源并不会扩展或以其他方式更改 TI 针对 TI 产品发布的适用的担保或担保免责声明。除非德州仪器 (TI) 明确将某产品指定为定制产品或客户特定产品，否则其产品均为按确定价格收入目录的标准通用器件。

TI 反对并拒绝您可能提出的任何其他或不同的条款。

版权所有 © 2026，德州仪器 (TI) 公司

最后更新日期：2025 年 10 月