

TPS65983 B 适用于 Thunderbolt 3 的 USB Type-C® 和 USB PD 控制器、电源开关和高速多路复用器

1 特性

- 该器件由 USB-IF 进行了 PD3.0 认证
 - 认证新的 USB PD 设计时需使用 PD3.0 器件
 - 有关 [PD2.0 与 PD3.0](#) 的文章
- USB3 和 Thunderbolt 3 (TBT3) USB PD 控制器
 - TPS65983B 仅支持遵循 Intel 参考设计文档编号 569174 的 TBT3 器件设计
 - 端口数据多路复用器
 - USB 2.0 HS 数据和低速端点
 - 用于交替模式的边带使用数据
 - 支持 DisplayPort 交替模式和 Thunderbolt 交替模式
 - 有关更详尽的选择指南和入门信息，请参阅 www.ti.com/usb-c 和 [E2E 指南](#)
- 完全管理的集成电源路径：
 - 集成的 5V、3A、50mΩ 电源开关
 - 集成 5V-20V、3A、95mΩ 双向负载开关
 - 适用于外部 5V-20V，5A 双向开关（背靠背 NFET）的栅极控制和电流检测
- 集成强大的电源路径保护
 - 集成式反向电流保护、欠压保护、过压保护和压摆率可控制高压双向电源路径
 - 集成了欠压和过压保护以及限流功能，可为 5V/3A 拉电流电源路径提供浪涌电流保护
- USB Type-C® 功率传输 (PD) 控制器
 - 8 个可配置 GPIO
 - 支持 BC1.2 充电
 - 符合 USB PD 2.0 标准
 - 符合 USB Type-C 规范
 - 线缆连接和方向检测
 - 集成式 VCONN 开关
 - 物理层和策略引擎
 - 3.3V LDO 输出，在电池电量耗尽时提供支持
 - 通过 3.3V 或 VBUS 源供电
 - 1 个 I2C 主要端口
 - 1 个 I2C 次级端口

2 应用

- Thunderbolt 3 器件
- PC 和笔记本电脑
- 耐用 PC 和笔记本电脑
- 单板计算机
- 集线站
- 平板监视器

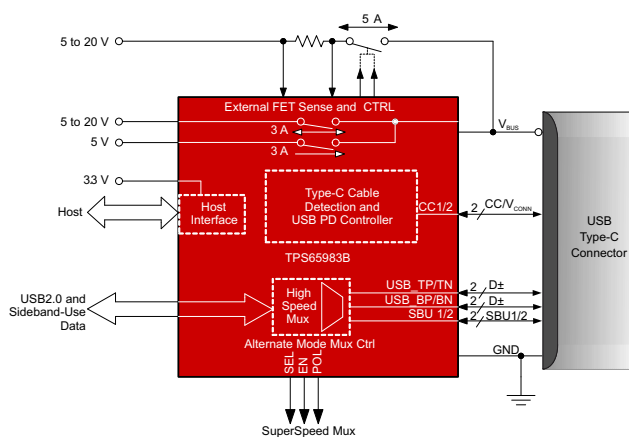
3 说明

TPS65983B 是一款高度集成的独立式 USB Type-C 和电力传输 (PD) 控制器，针对笔记本电脑应用进行了优化。TPS65983B 集成了全面管理的电源路径与强大的保护功能，可提供完整的 USB-C PD 解决方案。TPS65983B 包括一个高速多路复用器，该多路复用器取决于 CC 引脚提供的 USB Type-C 电缆方向。多路复用器会传递用于交替模式的边带使用数据。TPS65983B 具有 BGA MicroStar Junior 封装，带有 0.5mm 间距和穿孔，可兼容所有引脚。

器件信息(1)

器件型号	封装	封装尺寸 (标称值)
TPS65983B	BGA MicroStar Junior (96)	6.00mm × 6.00mm
	NFBGA (96)	

(1) 如需了解所有可用封装，请参阅数据表末尾的可订购产品附录。



简化版图表



Table of Contents

1 特性.....	1	7.21 SPI Controller Characteristics.....	24
2 应用.....	1	7.22 Single-Wire Debugger (SWD) Timing Requirements.....	24
3 说明.....	1	7.23 BUSPOWERZ Configuration Requirements.....	25
4 Revision History.....	2	7.24 HPD Timing Requirements and Characteristics.....	25
5 说明 (续).....	3	7.25 Thermal Shutdown Characteristics.....	25
6 Pin Configuration and Functions.....	4	7.26 Oscillator Requirements and Characteristics.....	25
7 Specifications.....	8	7.27 Typical Characteristics.....	26
7.1 Absolute Maximum Ratings.....	8	8 Parameter Measurement Information.....	27
7.2 ESD Ratings.....	8	9 Detailed Description.....	29
7.3 Recommended Operating Conditions.....	9	9.1 Overview.....	29
7.4 Thermal Information.....	9	9.2 Functional Block Diagram.....	30
7.5 Power Supply Requirements and Characteristics.....	10	9.3 Feature Description.....	30
7.6 Power Supervisor Characteristics.....	11	9.4 Device Functional Modes.....	68
7.7 Power Consumption Characteristics.....	11	9.5 Programming.....	76
7.8 Cable Detection Characteristics.....	12	10 Application and Implementation.....	81
7.9 USB-PD Baseband Signal Requirements and Characteristics.....	12	10.1 Application Information.....	81
7.10 USB-PD TX Driver Voltage Adjustment Parameter ⁽¹⁾	13	10.2 Typical Application.....	81
7.11 Port Power Switch Characteristics.....	14	11 Power Supply Recommendations.....	91
7.12 Port Data Multiplexer Switching and Timing Characteristics.....	16	11.1 3.3 V Power.....	91
7.13 Port Data Multiplexer Clamp Characteristics.....	19	11.2 1.8 V Core Power.....	91
7.14 Port Data Multiplexer SBU Detection Requirements.....	19	11.3 VDDIO.....	91
7.15 Port Data Multiplexer Signal Monitoring Pullup and Pulldown Characteristics.....	19	12 Layout.....	93
7.16 Port Data Multiplexer USB Endpoint Requirements and Characteristics.....	19	12.1 Layout Guidelines.....	93
7.17 Port Data Multiplexer BC1.2 Detection Requirements and Characteristics.....	20	12.2 Layout Example.....	97
7.18 Analog-to-Digital Converter (ADC) Characteristics.....	20	13 Device and Documentation Support.....	111
7.19 Input/Output (I/O) Requirements and Characteristics.....	21	13.1 Device Support.....	111
7.20 I ² C Slave Requirements and Characteristics.....	23	13.2 Documentation Support.....	111
		13.3 接收文档更新通知.....	111
		13.4 支持资源.....	111
		13.5 Trademarks.....	111
		13.6 Electrostatic Discharge Caution.....	111
		13.7 术语表.....	111
		14 Mechanical, Packaging, and Orderable Information.....	111

4 Revision History

注：以前版本的页码可能与当前版本的页码不同

Changes from Revision B (June 2018) to Revision C (August 2021)	Page
• 更新了整个文档中的表格、图和交叉参考的编号格式.....	1
• 将提到 SPI 的旧术语实例全局更改为控制器和外设.....	1
• 更新了特性列表.....	1
• 更新了应用部分.....	1
• 更新了描述部分.....	1

Changes from Revision A (October 2016) to Revision B (June 2018)	Page
• 添加了 NFBGA (ZBH) 封装选项.....	1

Changes from Revision * (October 2016) to Revision A (October 2016)	Page
• 首次公开发布文档.....	1

5 说明 (续)

CC 引脚上的混合信号前端可为 Type-C 电源提供默认值 (500mA)、1.5A 或 3A 三种电流、检测电缆插入事件、确定 USB Type-C 电缆方向以及遵循指定的双相标记编码 (BMC) 和物理层 (PHY) 协议自主协商 USB PD 合约。

端口电源开关在 5V 电压下可为传统 USB 电源和 Type-C USB 电源提供高达 3A 的下行电流。当 USB PD 电源用作供电器件 (主机)、受电器件 (设备) 或供电-受电器件时, 附加的双向开关路径可在最高 20V 的电压下为其提供高达 3A 的电流。

此外, TPS65983B 也可用作上行数据端口 (UFP)、下行数据端口 (DFP) 或者双角色数据端口。端口数据多路复用器可实现端口与顶部或底部 D+/D- 信号对之间的 USB 2.0 HS 数据传输, 并且具有一个 USB 2.0 低速端点。此外, 还可以将边带使用 (SBU) 信号对用于辅助或交替模式的通信 (例如 DisplayPort 或 Thunderbolt)。

电源管理电路使用系统内部的 3.3V 电压供电, 同时使用 VBUS 启动并针对电池电量耗尽或无电池情况进行供电协商。

6 Pin Configuration and Functions

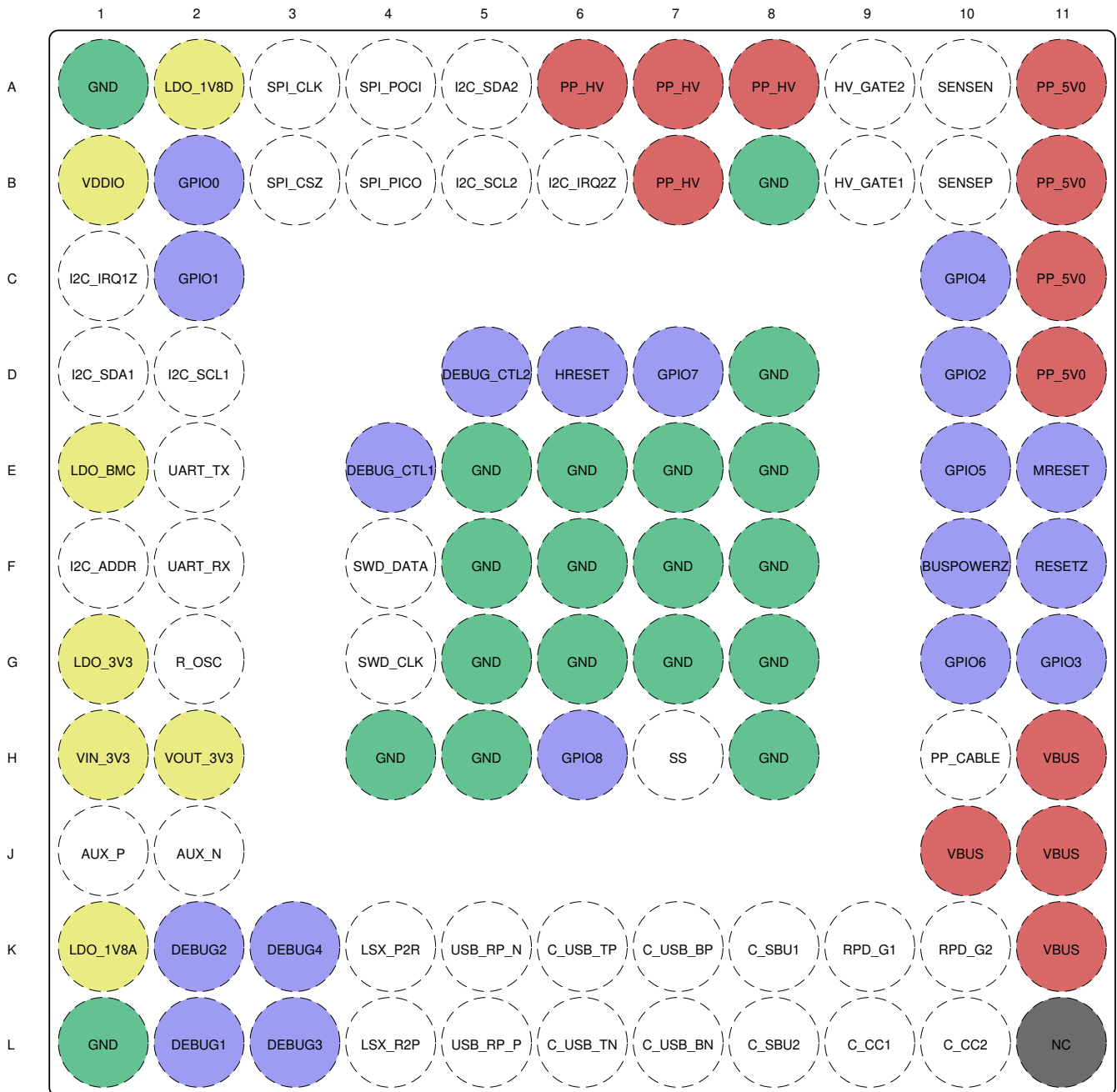


图 6-1. ZQZ and ZBH Package 96-Pin BGA MicroStar Junior and NFBGA Top View



图 6-2. Legend for Pinout Drawing

表 6-1. Pin Functions

PIN		TYPE	POR STATE	DESCRIPTION
NAME	NO.			
HIGH-CURRENT POWER PINS				
PP_5V0	A11, B11, C11, D11	Power	NA	5-V supply for VBUS. Bypass with capacitance CPP_5V0 to GND. Tie pin to GND when unused.
PP_HV	A6, A7, A8, B7	Power	NA	HV supply for VBUS. Bypass with capacitance CPP_HV to GND. Tie pin to GND when unused.
PP_CABLE	H10	Power	NA	5-V supply for C_CC pins. Bypass with capacitance CPP_CABLE to GND when not tied to PP_5V0. Tie pin to PP_5V0 when unused.
VBUS	H11, J10, J11, K11	Power	NA	5-V output from PP_5V0. Input or output from PP_HV up to 20 V. Bypass with capacitance CVBUS to GND.
LOW-CURRENT POWER PINS				
VIN_3V3	H1	Power	NA	Supply for core circuitry and I/O. Bypass with capacitance CVIN_3V3 to GND.
VDDIO	B1	Power	NA	VDD for I/O. Some I/Os are reconfigurable to be powered from VDDIO instead of LDO_3V3. When VDDIO is not used, tie pin to LDO_3V3. When not tied to LDO_3V3 and used as a supply input, bypass with capacitance CVDDIO to GND.
VOOUT_3V3	H2	Power	NA	Output of supply switched from VIN_3V3. Bypass with capacitance COUT_3V3 to GND. Float pin when unused.
LDO_3V3	G1	Power	NA	Output of the VBUS to 3.3 V LDO or connected to VIN_3V3 by a switch. Main internal supply rail. Used to power external flash memory. Bypass with capacitance CLDO_3V3 to GND.
LDO_1V8A	K1	Power	NA	Output of the 3.3 V or 1.8 V LDO for Core Analog Circuits. Bypass with capacitance CLDO_1V8A to GND.
LDO_1V8D	A2	Power	NA	Output of the 3.3 V or 1.8 V LDO for Core Digital Circuits. Bypass with capacitance CLDO_1V8D to GND.
LDO_BMC	E1	Power	NA	Output of the USB-PD BMC transceiver output level LDO. Bypass with capacitance CLDO_BMC to GND.
TYPE-C PORT PINS				
C_CC1	L9	Analog I/O	Hi-Z	Output to Type-C CC or VCONN pin. Filter noise with capacitance CC_CC1 to GND.
C_CC2	L10	Analog I/O	Hi-Z	Output to Type-C CC or VCONN pin. Filter noise with capacitance CC_CC2 to GND.
RPD_G1	K9	Analog I/O	Hi-Z	Tie pin to C_CC1 when configured to receive power in dead-battery or no-power condition. Tie pin to GND otherwise.
RPD_G2	K10	Analog I/O	Hi-Z	Tie pin to C_CC2 when configured to receive power in dead-battery or no-power condition. Tie pin to GND otherwise.
C_USB_TP	K6	Analog I/O	Hi-Z	Port side Top USB D+ connection to Port Multiplexer.
C_USB_TN	L6	Analog I/O	Hi-Z	Port side Top USB D- connection to Port Multiplexer.
C_USB_BP	K7	Analog I/O	Hi-Z	Port side Bottom USB D+ connection to Port Multiplexer.
C_USB_BN	L7	Analog I/O	Hi-Z	Port side Bottom USB D- connection to Port Multiplexer.
C_SBU1	K8	Analog I/O	Hi-Z	Port side Sideband Use connection of Port Multiplexer.
C_SBU2	L8	Analog I/O	Hi-Z	Port side Sideband Use connection of Port Multiplexer.
PORT MULTIPLEXER PINS				
SWD_DATA	F4	Digital I/O	Resistive Pull High	SWD serial data. Float pin when unused.
SWD_CLK	G4	Digital Input	Resistive Pull High	SWD serial clock. Float pin when unused.
UART_RX	F2	Digital Input	Digital Input	UART serial receive data. Connect pin to another TPS65983B UART_TX to share firmware. Connect UART_RX to UART_TX when not connected to another TPS65983B and ground pin through a 100 k Ω resistance.
UART_TX	E2	Digital Output	UART_RX	UART serial transmit data. Connect pin to another TPS65983B UART_TX to share firmware. Connect UART_RX to UART_TX when not connected to another TPS65983B.
USB_RP_P	L5	Analog I/O	Hi-Z	System side USB2.0 high-speed connection to Port Multiplexer. Ground pin with between 1-k Ω and 5-M Ω resistance when unused.
USB_RP_N	K5	Analog I/O	Hi-Z	System side USB2.0 high-speed connection to Port Multiplexer. Ground pin with between 1-k Ω and 5-M Ω resistance when unused.
LSX_R2P	L4	Digital Input	Digital Input	System side low speed TX from system to port. This pin is configurable to be an input to the digital core or the crossbar multiplexer to the port. Ground pin with between 1-k Ω and 5-M Ω resistance when unused.

表 6-1. Pin Functions (continued)

PIN		TYPE	POR STATE	DESCRIPTION
NAME	NO.			
LSX_P2R	K4	Digital Output	Hi-Z	System side low speed RX to system from port. This pin is configurable to be an output from the digital core or the crossbar multiplexer from the port. Float pin when unused.
AUX_P	J1	Analog I/O	Hi-Z	System side DisplayPort connection to Port Multiplexer. Ground pin with between 1-k Ω and 5-M Ω resistance when unused.
AUX_N	J2	Analog I/O	Hi-Z	System side DisplayPort connection to Port Multiplexer. Ground pin with between 1-k Ω and 5-M Ω resistance when unused.
EXTERNAL HV FET CONTROL/SENSE PINS AND SOFT START				
SENSEP	B10	Analog Input	Analog Input	Positive sense for external high voltage power path current sense resistance. Short pin to VBUS when unused.
SENSEN	A10	Analog Input	Analog Input	Positive sense for external high voltage power path current sense resistance. Short pin to VBUS when unused.
HV_GATE1	B9	Analog Output	Short to SENSEP	External NFET gate control for high voltage power path. Float pin when unused.
HV_GATE2	A9	Analog Output	Short to VBUS	External NFET gate control for high voltage power path. Float pin when unused.
SS	H7	Analog Output	Driven Low	Soft Start. Tie pin to capacitance CSS to ground.
DIGITAL CORE I/O AND CONTROL PINS				
R_OSC	G2	Analog I/O	Hi-Z	External resistance setting for oscillator accuracy. Connect R_OSC to GND through resistance RR_OSC.
GPIO0 (HD3 AMSEL)	B2	Digital I/O	Hi-Z	General Purpose Digital I/O 0. Alternate mode select signal to external Super Speed multiplexer (tri-state capable with pullup and pulldown resistors). Ground pin with a 1-M Ω resistor when unused in the application.
GPIO1 (CONFIG0)	C2	Digital I/O	Hi-Z	General Purpose Digital I/O 1. Must be tied high or low through a 1 k Ω pullup or pulldown resistor when used as a configuration input.
GPIO2	D10	Digital I/O	Hi-Z	General Purpose Digital I/O 2. Float pin if it is configured as a push-pull output in the application. Ground pin with a 1-M Ω resistor when unused in the application.
GPIO3 (HD3 EN)	G11	Digital I/O	Hi-Z	General Purpose Digital I/O 3. Enable signal to external Super Speed multiplexer. Float pin if it is configured as a push-pull output in the application. Ground pin with a 1-M Ω resistor when unused in the application.
GPIO4 (HPD TXRX)	C10	Digital I/O	Hi-Z	General Purpose Digital I/O 4. Configured as Hot Plug Detect (HPD) TX and/or HPD RX when DisplayPort Mode supported. Ground pin with a 1-M Ω resistor when unused in the application.
GPIO5 (HPD RX)	E10	Digital I/O	Hi-Z	General Purpose Digital I/O 5. Can be configured as Hot Plug Detect (HPD) RX when DisplayPort Mode supported. Must be tied high or low through a 1 k Ω pullup or pulldown resistor when used as a configuration input. Ground pin with a 1-M Ω resistor when unused in the application.
GPIO6	G10	Digital I/O	Hi-Z	General Purpose Digital I/O 6. Float pin if it is configured as a push-pull output in the application. Ground pin with a 1-M Ω resistor when unused in the application.
GPIO7	D7	Digital I/O	Hi-Z	General Purpose Digital I/O 7. Float pin if it is configured as a push-pull output in the application. Ground pin with a 1-M Ω resistor when unused in the application.
GPIO8	H6	Digital I/O	Hi-Z	General Purpose Digital I/O 8. Float pin if it is configured as a push-pull output in the application. Ground pin with a 1-M Ω resistor when unused in the application.
RESETZ (GPIO9)	F11	Digital I/O	Push-Pull Output (Low)	General Purpose Digital I/O 9. Active low reset output when VOUT_3V3 is low (driven low on start-up). Float pin when unused.
BUSPOWERZ (GPIO10)	F10	Analog Input	Input (Hi-Z)	General Purpose Digital I/O 10. Sampled by ADC at boot. Tie pin to LDO_3V3 through a 100-k Ω resistor to disable PP_HV and PP_EXT power paths during dead-battery or no-battery boot conditions. Refer to the # 9.3.3.17 table for more details.
MRESET (GPIO11)	E11	Digital I/O	Hi-Z	General Purpose Digital I/O 11. Forces RESETZ to assert. By default, this pin asserts RESETZ when pulled high. The pin can be programmed to assert RESETZ when pulled low. Ground pin with a 1-M Ω resistor when unused in the application.
DEBUG4 (GPIO12, CONFIG2)	K3	Digital I/O	Hi-Z	General Purpose Digital I/O 12. Must be tied high or low through a 1-k Ω pullup or pulldown resistor when used as a configuration input.
DEBUG3 (GPIO13, CONFIG1)	L3	Digital I/O	Hi-Z	General Purpose Digital I/O 13. Must be tied high or low through a 1-k Ω pullup or pulldown resistor when used as a configuration input.
DEBUG2 (GPIO14, HD3 POL)	K2	Digital I/O	Hi-Z	General Purpose Digital I/O 14. Polarity signal to external Super Speed multiplexer. Float pin if it is configured as a push-pull output in the application. Ground pin with a 1-M Ω resistor when unused in the application.

表 6-1. Pin Functions (continued)

PIN		TYPE	POR STATE	DESCRIPTION
NAME	NO.			
DEBUG1 (GPIO15)	L2	Digital I/O	Hi-Z	General Purpose Digital I/O 15. Ground pin with a 1-M Ω resistor when unused in the application.
DEBUG_CTL1 (GPIO16, I ² C ADDR B4)	E4	Digital I/O	Hi-Z	General Purpose Digital I/O 16. At power-up, pin state is sensed to determine bit 4 of the I ² C address.
DEBUG_CTL2 (GPIO17, I ² C ADDR B5)	D5	Digital I/O	Hi-Z	General Purpose Digital I/O 17. At power-up, pin state is sensed to determine bit 5 of the I ² C address.
HRESET	D6	Digital Input	Hi-Z	Active high hardware reset input. Will re-load settings from external flash memory. Ground pin when HRESET functionality will not be used.
I2C_SDA1	D1	Digital I/O	Digital Input	I ² C port 1 serial data. Open-drain output. Tie pin to LDO_3V3 or VDDIO (depending on configuration) through a 10-k Ω resistor when used or unused.
I2C_SCL1	D2	Digital I/O	Digital Input	I ² C port 1 serial clock. Open-drain output. Tie pin to LDO_3V3 or VDDIO (depending on configuration) through a 10-k Ω resistor when used or unused.
I2C_IRQ1Z	C1	Digital Output	Hi-Z	I ² C port 1 interrupt. Active low. Implement externally as an open drain with a pullup resistance. Float pin when unused.
I2C_SDA2	A5	Digital I/O	Digital Input	I ² C port 2 serial data. Open-drain output. Tie pin to LDO_3V3 or VDDIO (depending on configuration) through a 10-k Ω resistor when used or unused.
I2C_SCL2	B5	Digital I/O	Digital Input	I ² C port 2 serial clock. Open-drain output. Tie pin to LDO_3V3 or VDDIO (depending on configuration) through a 10-k Ω resistor when used or unused.
I2C_IRQ2Z	B6	Digital Output	Hi-Z	I ² C port 2 interrupt. Active low. Implement externally as an open drain with a pullup resistance. Float pin when unused.
I2C_ADDR	F1	Analog I/O	Analog Input	Sets the I ² C address for both I ² C ports as well as determine the controller and slave devices for memory code sharing.
SPI_CLK	A3	Digital Output	Digital Input	SPI serial clock. Ground pin when unused
SPI_PICO	B4	Digital Output	Digital Input	SPI serial controller output to peripheral. Ground pin when unused.
SPI_POCI	A4	Digital Input	Digital Input	SPI serial controller input from peripheral. This pin is used during boot sequence to determine if the flash memory is valid. Refer to the <i>Boot Code</i> section for more details. Ground pin when unused.
SPI_CSZ	B3	Digital Output	Digital Input	SPI chip select. Ground pin when unused.
GROUND AND NO CONNECT PINS				
GND	A1, B8, D8, E5, E6, E7, E8, F5, F6, F7, F8, G5, G6, G7, G8, H4, H5, H8, L1	Ground	NA	Ground. Connect all balls to ground plane.
NC	L11	Blank	NA	Populated Ball that must remain unconnected.
No Ball	C3, C4, C5, C6, C7, C8, C9, D3, D4, D9, E3, E9, F3, F9, G3, G9, H3, H9, J3, J4, J5, J6, J7, J8, J9	Blank	NA	Unpopulated ball for A1 marker and unpopulated inner ring.

7 Specifications

7.1 Absolute Maximum Ratings

over operating free-air temperature range (unless otherwise noted) ⁽¹⁾

		MIN	MAX	UNIT	
V _I	Input voltage ⁽²⁾	PP_CABLE, PP_5V0	-0.3	6	V
		VIN_3V3	-0.3	3.6	
		SENSEP, SENSEN ⁽³⁾	-0.3	24	
		VDDIO, UART_RX	-0.3	LDO_3V3 + 0.3	
V _{IO}	Output voltage ⁽²⁾	LDO_1V8A, LDO_1V8D, LDO_BMC, SS	-0.3	2	V
		LDO_3V3	-0.3	3.45	
		VOUT_3V3, RESETZ, I2C_IRQ1Z, I2C_IRQ2Z, SPI_PICO, SPI_CLK, SPI_CSZ, LSX_P2R, SWD_CLK, UART_TX	-0.3	LDO_3V3 + 0.3	
		HV_GATE1, HV_GATE2	-0.3	30	
		HV_GATE1 (relative to SENSEP)	-0.3	6	
		HV_GATE2 (relative to VBUS)	-0.3	6	
V _{IO}	I/O voltage ⁽²⁾	PP_HV, VBUS (2)	-0.3	24	V
		I2C_SDA1, I2C_SCL1, SWD_DATA, SPI_POCI, I2C_SDA2, I2C_SCL2, LSX_R2P, USB_RP_P, USB_RP_N, AUX_N, AUX_P, DEBUG1, DEBUG2, DEBUG3, DEBUG4, DEBUG_CTL1, DEBUG_CTL2, GPIO _n , MRESET, BUSPOWERZ, GPIO0-8	-0.3	LDO_3V3 + 0.3	
		R_OSC, I2C_ADDR	-0.3	2	
		HRESET	-0.3	LDO_1V8D + 0.3	
		C_USB_TP, C_USB_TN, C_USB_BP, C_USB_BN, C_SBU2, C_SBU1 (Switches Open)	-2	6	
		C_USB_TP, C_USB_TN, C_USB_BP, C_USB_BN, C_SBU2, C_SBU1 (Switches Closed)	-0.3	6	
		C_CC1, C_CC2, RPD_G1, RPD_G2	-0.3	6	
T _J	Operating junction temperature	-10	125	°C	
T _{stg}	Storage temperature	-55	150	°C	

- (1) Stresses beyond those listed under *Absolute Maximum Ratings* may cause permanent damage to the device. These are stress ratings only, which do not imply functional operation of the device at these or any other conditions beyond those indicated under *Recommended Operating Conditions*. Exposure to absolute-maximum-rated conditions for extended periods may affect device reliability.
- (2) All voltage values are with respect to network GND. All GND pins must be connected directly to the GND plane of the board.
- (3) The 24-V maximum is based on keeping HV_GATE1/2 at or below 30 V. Fast voltage transitions (< 100 ns) may occur up to 30 V.

7.2 ESD Ratings

		VALUE	UNIT
V _(ESD)	Electrostatic discharge	Human-body model (HBM), per ANSI/ESDA/JEDEC JS-001 ⁽¹⁾	±1500
		Charged-device model (CDM), per JEDEC specification JESD22-C101 ⁽²⁾	±500

- (1) JEDEC document JEP155 states that 500-V HBM allows safe manufacturing with a standard ESD control process. Manufacturing with less than 500-V HBM is possible with the necessary precautions.
- (2) JEDEC document JEP157 states that 250-V CDM allows safe manufacturing with a standard ESD control process. Manufacturing with less than 250-V CDM is possible with the necessary precautions.

7.3 Recommended Operating Conditions

over operating free-air temperature range (unless otherwise noted)

		MIN	MAX	UNIT	
V _I	Input voltage range ⁽¹⁾	VIN_3V3	2.85	3.45	V
		PP_5V0	4.75	5.5	
		PP_CABLE	2.95	5.5	
		PP_HV	4.5	22	
		VDDIO	1.7	3.45	
V _{IO}	I/O voltage range ⁽¹⁾	VBUS	4	22	V
		C_USB_PT, C_USB_NT, C_USB_PB, C_USB_NB, C_SBU1, C_SBU2	-2	5.5	
		C_CC1, C_CC2	0	5.5	
T _A	Ambient operating temperature range	-10	85	°C	
T _B	Operating board temperature range	-10	100	°C	
T _J	Operating junction temperature range	-10	125	°C	

(1) All voltage values are with respect to network GND. All GND pins must be connected directly to the GND plane of the board.

7.4 Thermal Information

THERMAL METRIC ⁽¹⁾		TPS65983B		UNIT
		ZQZ (BGA)	ZBH (NFBGA)	
		96 BALLS	96 BALLS	
R _{θJA}	Junction-to-ambient thermal resistance	42.4	42.4	°C/W
R _{θJC(top)}	Junction-to-case (top) thermal resistance	12.4	12.4	°C/W
R _{θJB}	Junction-to-board thermal resistance	13	13	°C/W
ψ _{JT}	Junction-to-top characterization parameter	0.3	0.3	°C/W
ψ _{JB}	Junction-to-board characterization parameter	13	13	°C/W

(1) For more information about traditional and new thermal metrics, see the [Semiconductor and IC Package Thermal Metrics application report](#).

7.5 Power Supply Requirements and Characteristics

Recommended operating conditions; $T_A = -10$ to $+85^\circ\text{C}$ unless otherwise noted

PARAMETER		TEST CONDITIONS	MIN	TYP	MAX	UNIT
EXTERNAL						
VIN_3V3	Input 3.3-V supply		2.85	3.3	3.45	V
PP_CABLE	Input voltage to power C_CC pins. This input is also available to power core circuitry and the VOUT_3V3 output.		2.95	5	5.5	V
VBUS	Bi-direction DC bus voltage. Output from the TPS65983B or input to the TPS65983B.		4	5	22	V
PP_5V0	5-V supply input to power VBUS. This supply does not power the TPS65983B.		4.75	5	5.5	V
VDDIO ⁽¹⁾	Optional supply for I/O cells.		1.7		3.45	V
INTERNAL						
VLDO_3V3	DC 3.3V generated internally by either a switch from VIN_3V3, an LDO from PP_CABLE, or an LDO from VBUS		2.7	3.3	3.45	V
VDO_LDO3V3	Drop Out Voltage of LDO_3V3 from PP_CABLE	$I_{LOAD} = 50$ mA			250	mV
	Drop Out Voltage of LDO_3V3 from VBUS		250	500	750	mV
VLDO_1V8D	DC 1.8V generated for internal digital circuitry.		1.7	1.8	1.9	V
VLDO_1V8A	DC 1.8V generated for internal analog circuitry.		1.7	1.8	1.9	V
VLDO_BMC	DC voltage generated on LDO_BMC. Setting for USB-PD.		1.05	1.125	1.2	V
ILDO_3V3	DC current supplied by the 3.3V LDOs. This includes internal core power and external load on LDO_3V3.				70	mA
ILDO_3V3EX	External DC current supplied by LDO_3V3				30	mA
IOUT_3V3	External DC current supplied by VOUT_3V3				100	mA
ILDO_1V8D	DC current supplied by LDO_1V8D. This is intended for internal loads only but small external loads may be added.				50	mA
ILDO_1V8DEX	External DC current supplied by LDO_1V8D.				5	mA
ILDO_1V8A	DC current supplied by LDO_1V8A. This is intended for internal loads only but small external loads may be added.				20	mA
ILDO_1V8AEX	External DC current supplied by LDO_1V8A.				5	mA
ILDO_BMC	DC current supplied by LDO_BMC. This is intended for internal loads only.				5	mA
ILDO_BMCEX	External DC current supplied by LDO_BMC.				0	mA
VFWD_DROP	Forward voltage drop across VIN_3V3 to LDO_3V3 switch	$I_{LOAD} = 50$ mA	25	60	90	mV
RIN_3V3	Input switch resistance from VIN_3V3 to LDO_3V3	$V_{VIN_3V3} - V_{LDO_3V3} > 50$ mV	0.5	1.1	1.75	Ω
ROUT_3V3	Output switch resistance from VIN_3V3 to VOUT_3V3			0.35	0.7	Ω
TR_OUT3V3	10-90% rise time on VOUT_3V3 from switch enable.	$C_{VOUT_3V3} = 1$ μ F	35		120	μ s

- (1) I/O buffers are not fail-safe to LDO_3V3. Therefore, VDDIO may power-up before LDO_3V3. When VDDIO powers up before LDO_3V3, the I/Os shall not be driven high. When VDDIO is low and LDO_3V3 is high, the I/Os may be driven high.

7.6 Power Supervisor Characteristics

Recommended operating conditions; $T_A = -10$ to $+85^\circ\text{C}$ unless otherwise noted

PARAMETER		TEST CONDITIONS	MIN	TYP	MAX	UNIT
UV_LDO3V3	Under-voltage threshold for LDO_3V3. Locks out 1.8-V LDOs	LDO_3V3 rising	2.2	2.325	2.45	V
UVH_LDO3V3	Under-voltage hysteresis for LDO_3V3	LDO_3V3 falling	20	80	150	mV
UV_VBUS_LDO	Under-voltage threshold for VBUS to enable LDO	VBUS rising	3.35	3.75	3.95	V
UVH_VBUS_LDO	Under-voltage hysteresis for VBUS to enable LDO	VBUS falling	20	80	150	mV
UV_PCBL	Under-voltage threshold for PP_CABLE	PP_CABLE rising	2.5	2.625	2.75	V
UVH_PCBL	Under-voltage hysteresis for PP_PCABLE	PP_CABLE falling	20	50	80	mV
UV_5V0	Under-voltage threshold for PP_5V0	PP_5V0 rising	3.5	3.725	3.95	V
UVH_5V0	Under-voltage hysteresis for PP_P5V0	PP_5V0 falling	20	80	150	mV
OV_VBUS	Over-voltage threshold for VBUS. This value is a 6-bit programmable threshold	VBUS rising	5		24	V
OVLBSB_VBUS	Over-voltage threshold step for VBUS. This value is the LSB of the programmable threshold	VBUS rising		328		mV
OVH_VBUS	Over-voltage hysteresis for VBUS	VBUS falling, % of OV_VBUS	0.9%	1.3%	1.7%	
UV_VBUS	Under-voltage threshold for VBUS. This value is a 6-bit programmable threshold	VBUS falling	2.5		18.21	V
UVLSB_VBUS	Under-voltage threshold step for VBUS. This value is the LSB of the programmable threshold	VBUS falling		249		mV
UVH_VBUS	Under-voltage hysteresis for VBUS	VBUS rising, % of UV_VBUS	0.9%	1.3%	1.7%	
UVR_OUT3V3	Configurable under-voltage threshold for VOUT_3V3 rising. De-asserts RESETZ	Setting 0	2.019	2.125	2.231	V
		Setting 1	2.138	2.25	2.363	
		Setting 2	2.256	2.375	2.494	
		Setting 3	2.375	2.5	2.625	
		Setting 4	2.494	2.625	2.756	
		Setting 5	2.613	2.75	2.888	
		Setting 6	2.731	2.875	3.019	
		Setting 7	2.85	3	3.15	
UVRH_OUT3V3	Under-voltage hysteresis for VOUT_3V3 falling.	OUT_3V3 falling		30	50	mV
TUVRASSERT	Delay from falling VOUT_3V3 or MRESET assertion to RESETZ asserting low				75	μs
TUVRDELAY	Configurable delay from VOUT_3V3 to RESETZ de-assertion.		0		161.3	ms

7.7 Power Consumption Characteristics

Recommended operating conditions; $T_A = 25^\circ\text{C}$ (Room temperature) unless otherwise noted⁽⁴⁾

PARAMETER	TEST CONDITIONS	MIN	TYP	MAX	UNIT
IVIN_3V3 in sleep ⁽¹⁾	VIN_3V3 = VDDIO = 3.45 V, VBUS = 0, PPCABLE = 0; 100-kHz oscillator running		67		μA
IVIN_3V3 idle ⁽²⁾	VIN_3V3 = VDDIO = 3.45 V, VBUS=0, PPCABLE = 0; 100-kHz oscillator running, 48-MHz oscillator running		2.4		mA
IVIN_3V3 active ⁽³⁾	VIN_3V3 = VDDIO = 3.45 V, VBUS = 0, PPCABLE = 0; 100-kHz Oscillator running, 48-MHz oscillator running		7.6		mA

- (1) Sleep is defined as Type-C cable detect activated as DFP or UFP, internal power management and supervisory functions active.
- (2) Idle is defined as Type-C cable detect activated as DFP or UFP, internal power management and supervisory functions active, and the digital core is clocked at 4 MHz.
- (3) Active is defined as Type-C cable detect activated as DFP or UFP, internal power management and supervisory functions active, all core functionality active, and the digital core is clocked at 12 MHz. DRP in a Source Power Role connected to a Sink under a 5V contract.
- (4) Application code can result in other power consumption measurements by adjusting enabled circuitry and clock rates. Application code also provisions the wake-up mechanisms (for example, I²C activity and GPIO activity).

7.8 Cable Detection Characteristics

Recommended operating conditions; $T_A = -10$ to 85°C unless otherwise noted

PARAMETER		TEST CONDITIONS	MIN	TYP	MAX	UNIT
IH_CC_USB	Source Current through each C_CC pin when in a disconnected state and Configured as a DFP advertising Default USB current to a peripheral device		73.6	80	86.4	μA
IH_CC_1P5	Source Current through each C_CC pin when in a disconnected state when Configured as a DFP advertising 1.5 A to a UFP		169	180	191	μA
IH_CC_3P0	Source Current through each C_CC pin when in a disconnected state and Configured as a DFP advertising 3.0 A to a UFP.	VIN_3V3 \geq 3.135 V	303	330	356	μA
VD_CCH_USB	Voltage Threshold for detecting a DFP attach when configured as a UFP and the DFP is advertising Default USB current source capability		0.15	0.2	0.25	V
VD_CCH_1P5	Voltage Threshold for detecting a DFP advertising 1.5 A source capability when configured as a UFP		0.61	0.66	0.7	V
VD_CCH_3P0	Voltage Threshold for detecting a DFP advertising 3 A source capability when configured as a UFP		1.169	1.23	1.29	V
VH_CCD_USB	Voltage Threshold for detecting a UFP attach when configured as a DFP and advertising Default USB current source capability.	IH_CC = IH_CC_USB	1.473	1.55	1.627	V
VH_CCD_1P5	Voltage Threshold for detecting a UFP attach when configured as a DFP and advertising 1.5 A source capability	IH_CC = IH_CC_1P5	1.473	1.55	1.627	V
VH_CCD_3P0	Voltage Threshold for detecting a UFP attach when configured as a DFP and advertising 3.0 A source capability.	IH_CC = IH_CC_3P0 VIN_3V3 \geq 3.135 V	2.423	2.55	2.67	V
VH_CCA_USB	Voltage Threshold for detecting an active cable attach when configured as a DFP and advertising Default USB current capability.		0.15	0.2	0.25	V
VH_CCA_1P5	Voltage Threshold for detecting active cables attach when configured as a DFP and advertising 1.5 A capability.		0.35	0.4	0.45	V
VH_CCA_3P0	Voltage Threshold for detecting active cables attach when configured as a DFP and advertising 3 A capability.		0.76	0.8	0.84	V
RD_CC	Pulldown resistance through each C_CC pin when in a disconnect state and configured as a UFP. LDO_3V3 powered.	V = 1 V, 1.5 V	4.85	5.1	5.35	k Ω
RD_CC_OPEN	Pulldown resistance through each C_CC pin when in a disconnect state and configured as a UFP. LDO_3V3 powered.	V = 0 V to LDO_3V3	500			k Ω
RD_DB	Pulldown resistance through each C_CC pin when in a disconnect state and configured as a UFP when configured for dead battery (RPD_Gn tied to C_CCn). LDO_3V3 unpowered	V = 1.5 V, 2.0 V RPD_Gn tied to C_CCn	4.08	5.1	6.12	k Ω
RD_DB_OPEN	Pulldown resistance through each C_CC pin when in a disconnect state and configured as a UFP when not configured for dead battery (RPD_Gn tied to GND). LDO_3V3 unpowered	V = 1.5 V, 2.0 V RPD_Gn tied to GND	500			k Ω
VTH_DB	Threshold Voltage of the pulldown FET in series with RD during dead battery	I_CC = 80 μA	0.5	0.9	1.2	V
R_RPD	Resistance between RPD_Gn and the gate of the pulldown FET		25	50	85	M Ω

7.9 USB-PD Baseband Signal Requirements and Characteristics

Recommended operating conditions; $T_A = -10$ to $+85^\circ\text{C}$ unless otherwise noted

PARAMETER		TEST CONDITIONS	MIN	TYP	MAX	UNIT
COMMON						
PD_BITRATE	PD data bit rate		270	300	330	Kbps
UI ⁽¹⁾	Unit interval (1/PD_BITRATE)		3.03	3.33	3.7	μs
CCBLPLUG ⁽²⁾	Capacitance for a cable plug (each plug on a cable may have up to this value)				25	pF
ZCABLE	Cable characteristic impedance		32		65	Ω
CRECEIVER ⁽³⁾	Receiver capacitance. Capacitance looking into C_CCn pin when in receiver mode.		70		120	pF
TRANSMITTER						
ZDRIVER	TX output impedance. Source output impedance at the Nyquist frequency of USB2.0 low speed (750kHz) while the source is driving the C_CCn line.		33		75	Ω

7.9 USB-PD Baseband Signal Requirements and Characteristics (continued)

Recommended operating conditions; $T_A = -10$ to $+85^\circ\text{C}$ unless otherwise noted

PARAMETER		TEST CONDITIONS	MIN	TYP	MAX	UNIT
TRISE	Rise Time. 10% to 90% amplitude points, minimum is under an unloaded condition. Maximum set by TX mask.		300			ns
TFALL	Fall Time. 90% to 10% amplitude points, minimum is under an unloaded condition. Maximum set by TX mask.		300			ns
RECEIVER						
VRXTR	Rx Receive Rising Input threshold		605	630	655	mV
VRXTF	Rx Receive Falling Input threshold		450	470	490	mV
NCOUNT ⁽⁴⁾	Number of transitions for signal detection (number to count to detect non-idle bus).		3			
TTRANWIN ⁽⁴⁾	Time window for detecting non-idle bus.		12		20	μs
ZBMCRX	Receiver input impedance	Does not include pullup or pulldown resistance from cable detect. Transmitter is Hi-Z.	10			M Ω
TRXFILTER ⁽⁵⁾	Rx bandwidth limiting filter. Time constant of a single pole filter to limit broadband noise ingress		100			ns

- (1) UI denotes the time to transmit an un-encoded data bit not the shortest high or low times on the wire after encoding with BMC. A single data bit cell has duration of 1 UI, but a data bit cell with value 1 will contain a centrally placed 01 or 10 transition in addition to the transition at the start of the cell.
- (2) The capacitance of the bulk cable is not included in the CCBLPLUG definition. It is modeled as a transmission line.
- (3) CRECEIVER includes only the internal capacitance on a C_CCn pin when the pin is configured to be receiving BMC data. External capacitance is needed to meet the required minimum capacitance per the [USB-PD Specifications](#). It is recommended to add capacitance to bring the total pin capacitance to 300 pF for improved TX behavior.
- (4) BMC packet collision is avoided by the detection of signal transitions at the receiver. Detection is active when a minimum of NCOUNT transitions occur at the receiver within a time window of TTRANWIN. After waiting TTRANWIN without detecting NCOUNT transitions, the bus is declared idle.
- (5) Broadband noise ingress is due to coupling in the cable interconnect.

7.10 USB-PD TX Driver Voltage Adjustment Parameter⁽¹⁾

Recommended operating conditions; $T_A = -10$ to $+85^\circ\text{C}$ unless otherwise noted

PARAMETER		TEST CONDITIONS	MIN	NOM	MAX	UNIT
VTXP0	TX Transmit Peak Voltage		1.615	1.7	1.785	V
VTXP1	TX Transmit Peak Voltage		1.52	1.6	1.68	V
VTXP2	TX Transmit Peak Voltage		1.425	1.5	1.575	V
VTXP3	TX Transmit Peak Voltage		1.33	1.4	1.47	V
VTXP4	TX Transmit Peak Voltage		1.235	1.3	1.365	V
VTXP5	TX Transmit Peak Voltage		1.188	1.25	1.312	V
VTXP6	TX Transmit Peak Voltage		1.14	1.2	1.26	V
VTXP7	TX Transmit Peak Voltage		1.116	1.175	1.233	V
VTXP8	TX Transmit Peak Voltage		1.092	1.15	1.208	V
VTXP9	TX Transmit Peak Voltage		1.068	1.125	1.181	V
VTXP10	TX Transmit Peak Voltage		1.045	1.1	1.155	V
VTXP11	TX Transmit Peak Voltage		1.021	1.075	1.128	V
VTXP12	TX Transmit Peak Voltage		0.998	1.05	1.102	V
VTXP13	TX Transmit Peak Voltage		0.974	1.025	1.076	V
VTXP14	TX Transmit Peak Voltage		0.95	1	1.05	V
VTXP15	TX Transmit Peak Voltage		0.903	0.95	0.997	V

- (1) VTXP voltage settings are determined by application code and the setting used must meet the needs of the application and adhere to the [USB-PD Specifications](#).

7.11 Port Power Switch Characteristics

Recommended operating conditions; $T_A = -10$ to $+85^\circ\text{C}$ unless otherwise noted

PARAMETER		TEST CONDITIONS ⁽³⁾	MIN	TYP	MAX	UNIT
RPPCC	PP_CABLE to C_CCn power switch resistance				312	m Ω
RPP5V	PP_5V0 to VBUS power switch resistance			50	60	m Ω
RPPHV	PP_HV to VBUS power switch resistance			95	135	m Ω
IHVACT	Active quiescent current from PP_HV pin, EN_HV = 1				1	mA
IHVSD	Shutdown quiescent current from PP_HV pin, EN_HV = 0				100	μ A
IHVEXTACT	Active quiescent current from SENSEP pin, EN_HV = 1	Configured as source			1	mA
	Active quiescent current from VBUS pin, EN_HV = 1	Configured as sink			3.5	mA
IHVEXTSD	Shutdown quiescent current from SENSEP pin, EN_HV = 0				40	μ A
IPP5VACT	Active quiescent current from PP_5V0				1	mA
IPP5VSD	Shutdown quiescent current from PP_5V0				100	μ A
ILIMHV ⁽⁵⁾	PP_HV current limit, setting 0		1.007	1.118	1.330	A
	PP_HV current limit, setting 1		1.258	1.398	1.638	A
	PP_HV current limit, setting 2		1.51	1.678	1.945	A
	PP_HV current limit, setting 3		1.761	1.957	2.153	A
	PP_HV current limit, setting 5		2.013	2.237	2.46	A
	PP_HV current limit, setting 6		2.265	2.516	2.768	A
	PP_HV current limit, setting 7		2.516	2.796	3.076	A
	PP_HV current limit, setting 8		2.768	3.076	3.383	A
	PP_HV current limit, setting 9		3.02	3.355	3.691	A
	PP_HV current limit, setting 10		3.271	3.635	3.998	A
	PP_HV current limit, setting 11		3.523	3.914	4.306	A
	PP_HV current limit, setting 12		3.775	4.194	4.613	A
	PP_HV current limit, setting 13		4.026	4.474	4.921	A
	PP_HV current limit, setting 14		4.278	4.753	5.228	A
	PP_HV current limit, setting 15		4.529	5.033	5.536	A
	PP_HV current limit, setting 16		5.033	5.592	6.151	A
ILIMHVEXT ^{(4) (5)}	PP_EXT current limit, setting 0		0.986	1.12	1.254	A
	PP_EXT current limit, setting 1		1.231	1.399	1.567	A
	PP_EXT current limit, setting 2		1.477	1.678	1.879	A
	PP_EXT current limit, setting 3		1.761	1.957	2.153	A
	PP_EXT current limit, setting 4		2.012	2.236	2.46	A
	PP_EXT current limit, setting 5		2.263	2.515	2.767	A
	PP_EXT current limit, setting 6		2.514	2.794	3.074	A
	PP_EXT current limit, setting 7		2.765	3.073	3.381	A
	PP_EXT current limit, setting 8		3.016	3.352	3.688	A
	PP_EXT current limit, setting 9		3.267	3.631	3.995	A
	PP_EXT current limit, setting 10		3.519	3.91	4.301	A
	PP_EXT current limit, setting 11		3.77	4.189	4.608	A
	PP_EXT current limit, setting 12		4.021	4.468	4.915	A
	PP_EXT current limit, setting 13		4.272	4.747	5.222	A
	PP_EXT current limit, setting 14		4.523	5.026	5.529	A
	PP_EXT current limit, setting 15		5.025	5.584	6.143	A

7.11 Port Power Switch Characteristics (continued)

Recommended operating conditions; $T_A = -10$ to $+85^\circ\text{C}$ unless otherwise noted

PARAMETER		TEST CONDITIONS ⁽³⁾	MIN	TYP	MAX	UNIT
ILIMPP5V ⁽⁵⁾	PP_5V0 current limit, setting 0		1.006	1.118	1.330	A
	PP_5V0 current limit, setting 1		1.132	1.258	1.484	A
	PP_5V0 current limit, setting 2		1.258	1.398	1.638	A
	PP_5V0 current limit, setting 3		1.384	1.538	1.691	A
	PP_5V0 current limit, setting 4		1.51	1.677	1.845	A
	PP_5V0 current limit, setting 5		1.636	1.817	1.999	A
	PP_5V0 current limit, setting 6		1.761	1.957	2.153	A
	PP_5V0 current limit, setting 7		1.887	2.097	2.307	A
	PP_5V0 current limit, setting 8		2.013	2.237	2.46	A
	PP_5V0 current limit, setting 9		2.139	2.376	2.614	A
	PP_5V0 current limit, setting 10		2.265	2.516	2.768	A
	PP_5V0 current limit, setting 11		2.39	2.656	2.922	A
	PP_5V0 current limit, setting 12		2.516	2.796	3.075	A
	PP_5V0 current limit, setting 13		2.642	2.936	3.229	A
	PP_5V0 current limit, setting 14		2.768	3.075	3.383	A
PP_5V0 current limit, setting 15		3.019	3.355	3.69	A	
ILIMPPCC	PP_CABLE current limit (highest setting) PP_CABLE switch configured for output (current limited). USB specification is not ensured by source (2.7-V to 5.5-V output).		0.6	0.75	0.9	A
	PP_CABLE current limit (lowest setting) PP_CABLE switch configured for output (current limited). USB specification is ensured by source (4.75-V to 5.5-V output)		0.35	0.45	0.55	A
IHV_ACC ⁽¹⁾	PP_HV current sense accuracy	I = 100 mA Reverse current blocking disabled	3.25	5	6.75	A/V
		I = 200 mA	4	5	6	A/V
		I = 500 mA	4.4	5	5.6	A/V
		$I \geq 1$ A	4.5	5	5.5	A/V
IHVEXT_ACC	PP_EXT current sense accuracy (excluding RSENSE accuracy)	I = 100 mA, RSENSE = 10 m Ω Reverse current blocking disabled	3.5	5	6.5	A/V
		I = 200 mA, RSENSE = 10 m Ω	4	5	6	A/V
		I = 500 mA, RSENSE = 10 m Ω	4.4	5	5.6	A/V
		$I \geq 1$ A, RSENSE = 10 m Ω	4.5	5	5.5	A/V
IPP5V_ACC ⁽¹⁾	PP_5V0 current sense accuracy	I = 100 mA Reverse current blocking disabled	1.95	3	4.05	A/V
		I = 200 mA	2.4	3	3.6	A/V
		I = 500 mA	2.64	3	3.36	A/V
		$I \geq 1$ A	2.7	3	3.3	A/V
IPPCBL_ACC	PP_CABLE current sense accuracy	I = 100 mA	-	1	-	A/V
		I = 200 mA	-	1	-	A/V
		I = 500 mA	-	1	-	A/V
IGATEEXT ⁽²⁾	External Gate Drive Current on HV_GATE1 and HV_GATE2		4	5	6	μ A
VGSEXT	VGS voltage driving external FETs		4.5		7.5	V
TON_HV	PP_HV path turn on time from enable to VBUS = 95% of PP_HV voltage	Configured as a source or as a sink with soft start disabled. PP_HV = 20 V, CVBUS = 10 μ F, ILOAD = 100 mA			8	ms
TON_5V	PP_5V0 path turn on time from enable to VBUS = 95% of PP_5V0 voltage	Configured as a source or as a sink with soft start disabled. PP_5V0 = 5 V, CVBUS = 10 μ F, ILOAD = 100 mA			2.5	ms

7.11 Port Power Switch Characteristics (continued)

Recommended operating conditions; $T_A = -10$ to $+85^\circ\text{C}$ unless otherwise noted

PARAMETER		TEST CONDITIONS ⁽³⁾	MIN	TYP	MAX	UNIT
TON_CC	PP_CABLE path turn on time from enable to C_CCn = 95% of the PP_CABLE voltage	PP_CABLE = 5 V, C_CCn = 500 nF, ILOAD = 100 mA			2	ms
ISS	Soft start charging current		5.5	7	8.5	μA
RSS_DIS	Soft start discharge resistance		0.6	1	1.4	k Ω
VTHSS	Soft start complete threshold		1.35	1.5	1.65	V
TSSDONE	Soft start complete time	CSS = 470 nF	68.3	99	129.7	ms
VREVPHV	Reverse current blocking voltage threshold for PP_HV switch		2	6	10	mV
VREVPEXT	Reverse Current Blocking voltage Threshold for PP_EXT external switches		2	6	10	mV
VREV5V0	Reverse current blocking voltage threshold for PP_5V0 switches		2	6	10	mV
VHVDISPD	Voltage threshold above VIN at which the pulldown RHVDISPD on VBUS will disable during a transition from PHV to 5V0		45	200	250	mV
VSAFE0V	Voltage that is a safe 0 V per USB-PD Specifications		0		0.8	V
TSAFE0V	Voltage transition time to VSAFE0V				650	ms
VSO_HV	Voltage on PP_HV or PP_HVEXT above which the PP_HV or PP_EXT to PP_5V0 transition on VBUS will meet transition requirements		9.9			V
SRPOS	Maximum slew rate for positive voltage transitions				0.03	V/ μs
SRNEG	Maximum slew rate for negative voltage transitions		-0.03			V/ μs
TSTABLE	EN to stable time for both positive and negative voltage transitions				275	ms
VSRCVALID	Supply Output Tolerance beyond VSRCNEW during time TSTABLE		-0.5		0.5	V
VSRCNEW	Supply Output Tolerance		-5		5	%
RFRSTX	Fast Role Swap request pulldown resistance				5	Ω
TFRSTX	Fast Role Swap request transmit duration		60		120	μs
VFRSDetect	Fast Role Swap request voltage detection threshold		490	520	550	mV
TFRSRX	Fast Role Swap request detection time		30		50	μs

- (1) The current sense in the ADC will not accurately read below the current VREV5V0/RPP5V or VREVPHV/RPPHV due to the reverse blocking behavior. When reverse blocking is disabled, the values given for accuracy are valid.
- (2) Limit the resistance from the HV_GATE1/2 pins to the external FET gate pins to $< 1 \Omega$ to provide adequate response time to short circuit events.
- (3) Maximum capacitance on VBUS when configured as a source must not exceed 12 μF .
- (4) Specified for a 10-m Ω RSENSE resistor and 10-m Ω RSENSE application code setting. Values will scale with a different RSENSE resistance and application code setting.
- (5) Settings selected automatically by application code for the current limit needed in the application.

7.12 Port Data Multiplexer Switching and Timing Characteristics

Recommended operating conditions; $T_A = -10$ to $+85^\circ\text{C}$ unless otherwise noted

PARAMETER		TEST CONDITIONS	MIN	TYP	MAX	UNIT
SWD MULTIPLEXER PATH ⁽¹⁾						
SWD_RON_U	On resistance of SWD_DATA/CLK to C_USB_TP/TN/BP/BN	$V_i = 3.3 \text{ V}, I_o = 20 \text{ mA}$		35	55	Ω
		$V_i = 1 \text{ V}, I_o = 20 \text{ mA}$		30	46	
SWD_ROND_U	On resistance difference between P and N paths of SWD_DATA/CLK to C_USB_TP/TN/BP/BN	$V_i = 1 \text{ V to } 3.3 \text{ V}, I_o = 20 \text{ mA}$	-2.5		2.5	Ω
SWD_RON_S	On resistance of SWD_DATA/CLK to C_SBU1/2	$V_i = 3.3 \text{ V}, I_o = 20 \text{ mA}$		26	42	Ω
		$V_i = 1 \text{ V}, I_o = 20 \text{ mA}$		24	37	

7.12 Port Data Multiplexer Switching and Timing Characteristics (continued)

Recommended operating conditions; $T_A = -10$ to $+85^\circ\text{C}$ unless otherwise noted

PARAMETER		TEST CONDITIONS	MIN	TYP	MAX	UNIT
SWD_ROND_S	On resistance difference between P and N paths of SWD_DATA/CLK to C_SBU1/2	$V_i = 1\text{V to }3.3\text{V}, I_O = 20\text{mA}$	- 1.5		1.5	Ω
SWD_TON	Switch on time from enable of SWD path	Time from enable bit with charge pump off			150	μs
		Time from enable bit at charge pump steady state			10	
SWD_TOFF	Switch off time from disable of SWD path	Time from disable bit at charge pump steady state			500	ns
SWD_BW	3 dB bandwidth of SWD path	$C_L = 10\text{pF}$	200			MHz
DEBUG1/2 MULTIPLEXER PATH⁽¹⁾						
DB1_RON_U	On resistance DEBUG1/2 to C_USB_TP/TN/BP/BN	$V_i = 3.3\text{V}, I_O = 20\text{mA}$		14	26	Ω
		$V_i = 1\text{V}, I_O = 20\text{mA}$		10	17	
DB1_ROND_U	On resistance difference between P and N paths of DEBUG1/2 to C_USB_TP/TN/BP/BN	$V_i = 1\text{V to }3.3\text{V}, I_O = 20\text{mA}$	- 2.5		2.5	Ω
DB1_RON_S	On resistance of DEBUG1/2 to C_SBU1/2	$V_i = 3.3\text{V}, I_O = 20\text{mA}$		9.5	17	Ω
		$V_i = 1\text{V}, I_O = 20\text{mA}$		6.5	12	
DB1_ROND_S	On resistance difference between P and N paths of Debug path DEBUG1/2 to C_SBU1/2	$V_i = 1\text{V to }3.3\text{V}, I_O = 20\text{mA}$	- 0.5		0.5	Ω
DB1_TON	Switch on time from enable of DEBUG path	Time from enable bit with charge pump off			150	μs
		Time from enable bit at charge pump steady state			10	
DB1_TOFF	Switch off time from disable of DEBUG path	Time from disable bit at charge pump steady state			500	ns
DB1_BW	3dB bandwidth of DEBUG path	$C_L = 10\text{pF}$	200			MHz
DEBUG3/4 MULTIPLEXER PATH⁽¹⁾						
DB3_RON_U	On resistance of DEBUG3/4 to C_USB_TP/TN/BP/BN	$V_i = 3.3\text{V}, I_O = 20\text{mA}$		14	24	Ω
		$V_i = 1\text{V}, I_O = 20\text{mA}$		9	17	
DB3_ROND_U	On resistance difference between P and N paths of DEBUG3/4 to C_USB_TP/TN/BP/BN	$V_i = 1\text{V to }3.3\text{V}, I_O = 20\text{mA}$	- 1.5		1.5	Ω
DB3_RON_S	On resistance of DEBUG3/4 to C_SBU1/2	$V_i = 3.3\text{V}, I_O = 20\text{mA}$		9.5	18	Ω
		$V_i = 1\text{V}, I_O = 20\text{mA}$		6.5	12	
DB3_ROND_S	On resistance difference between P and N paths of DEBUG3/4 to C_SBU1/2	$V_i = 1\text{V to }3.3\text{V}, I_O = 20\text{mA}$	- 0.15		0.15	Ω
DB3_TON	Switch on time from enable of DEBUG3/4 path	Time from enable bit with charge pump off			150	μs
		Time from enable bit at charge pump steady state			10	
DB3_TOFF	Switch off time from disable of DEBUG3/4 path	Time from disable bit at charge pump steady state			500	ns
DB3_BW	3dB bandwidth of DEBUG3/4 path	$C_L = 10\text{pF}$	200			MHz
LSX_R2P/P2R MULTIPLEXER PATH⁽¹⁾						
LSX_RON	On resistance of LSX_P2R/R2P to C_SBU1/2	$V_i = 3.3\text{V}, I_O = 20\text{mA}$		8.5	17	Ω
		$V_i = 1\text{V}, I_O = 20\text{mA}$		5.5	11	
LSX_ROND	On resistance difference between P and N paths of LSX path	$V_i = 1\text{V to }3.3\text{V}, I_O = 20\text{mA}$	- 0.3		0.3	Ω
LSX_TON	Switch on time from enable of LSX path	Time from enable bit with charge pump off			150	μs
		Time from enable bit at charge pump steady state			10	
LSX_TOFF	Switch off time from disable of LSX path	Time from disable bit at charge pump steady state			500	ns
LSX_BW	3dB bandwidth of LSX path	$C_L = 10\text{pF}$	200			MHz
AUX MULTIPLEXER PATH⁽¹⁾						

7.12 Port Data Multiplexer Switching and Timing Characteristics (continued)

Recommended operating conditions; $T_A = -10$ to $+85^\circ\text{C}$ unless otherwise noted

PARAMETER		TEST CONDITIONS	MIN	TYP	MAX	UNIT
AUX RON	On resistance of AUX_P/N to C_SBU1/2	$V_i = 3.3\text{ V}$, $I_O = 20\text{ mA}$		3.5	7	Ω
		$V_i = 1\text{ V}$, $I_O = 20\text{ mA}$		2.5	5	
AUX ROND	On resistance difference between P and N paths of AUX_P/N to C_SBU1/2	$V_i = 1\text{ V}$ to 3.3 V , $I_O = 20\text{ mA}$	-0.25		0.25	Ω
AUX TON	Switch on time from enable of AUX_P/N to C_SBU1/2	Time from enable bit with charge pump off			150	μs
		Time from enable bit at charge pump steady state			15	
AUX TOFF	Switch off time from disable of AUX_P/N to C_SBU1/2	Time from disable bit at charge pump steady state			500	ns
AUX BW	3dB bandwidth of AUX_P/N to C_SBU1/2 path	$C_L = 10\text{ pF}$	200			MHz
UART MULTIPLEXER PATH (2nd Stage Only)^{(1) (2)}						
UART RON	On resistance of UART buffers to C_USB_TP/TN/BP/BN or C_SBU1/2	$V_i = 3.3\text{ V}$, $I_O = 20\text{ mA}$		3.1	12	Ω
UART TON	Switch on time from enable of UART buffer C_USB_TP/TN/BP/BN or C_SBU1/2 path	Time from enable bit with charge pump off			150	μs
		Time from enable bit at charge pump steady state			10	
UART TOFF	Switch off time from disable of UART buffer path	Time from disable bit at charge pump steady state			500	ns
UART BW	3dB bandwidth of UART buffer path	$C_L = 10\text{ pF}$	200			MHz
USB_RP MULTIPLEXER PATH^{(1) (3)}						
USB RON	On resistance of USB_RP to C_USB_TP/TN/BP/BN	$V_i = 3\text{ V}$, $I_O = 20\text{ mA}$		4.5	10	Ω
		$V_i = 400\text{ mV}$, $I_O = 20\text{ mA}$		3	7	
USB ROND	On resistance difference between P and N paths of USB_RP to C_USB_TP/TN/BP/BN	$V_i = 0.4\text{ V}$ to 3 V , $I_O = 20\text{ mA}$	-0.15		0.15	Ω
USB TON	Switch on time from enable of USB USB_RP path	Time from enable bit with charge pump off			150	μs
		Time from enable bit at charge pump steady state			15	
USB TOFF	Switch off time from disable of USB_RP path	Time from disable bit at charge pump steady state			500	ns
USB BW	3dB bandwidth of USB_RP path	$C_L = 10\text{ pF}$	850			MHz
USB ISO	Off Isolation of USB_RP path	$R_L = 50\ \Omega$, $V_i = 800\text{ mV}$, $f = 240\text{ MHz}$			-19	dB
USB_XTLK	Channel to Channel crosstalk of USB_RP path	$R_L = 50\ \Omega$, $f = 240\text{ MHz}$			-26	dB

7.12 Port Data Multiplexer Switching and Timing Characteristics (continued)

Recommended operating conditions; $T_A = -10$ to $+85^\circ\text{C}$ unless otherwise noted

PARAMETER		TEST CONDITIONS	MIN	TYP	MAX	UNIT
C_SBU1/2 OUTPUT						
R_SBU_OPEN	Resistance of the open C_SBU1/2 paths	$V_i = 0\text{ V}$ to LDO_3V3	1			$\text{M}\Omega$
R_USB_OPEN	Resistance of the open C_USB_T/B/P/N paths	$V_i = 0\text{ V}$ to LDO_3V3	1			$\text{M}\Omega$

- (1) All RON specified maximums are the maximum of either of the switches in a pair. All ROND specified maximums are the maximum difference between the two switches in a pair. ROND does not add to RON.
- (2) The UART switch path connects from the UART buffers to the port pins. See [# 7.19](#) for buffer specifications.
- (3) See [# 7.16](#) for the USB_EP specifications.

7.13 Port Data Multiplexer Clamp Characteristics

Recommended operating conditions; $T_A = -10$ to $+85^\circ\text{C}$ unless otherwise noted

PARAMETER		TEST CONDITIONS	MIN	TYP	MAX	UNIT
VCLMP_IND	Clamp Voltage triggering indicator to Digital Core		3.8	3.95	4.1	V
ICLMP_IND	Clamp Current at VCLMP_IND		10		250	μA
TCLMP_PRT ⁽¹⁾	Time from clamp current crossing ICLMP_IND to interrupt signal assertion	$I \geq \text{ICLMP_IND}$ rising	0		4	μs
ICLMP	USB_EP and USB_RP Port Clamp Current	$V = \text{LDO_3V3}$			250	nA
		$V = \text{VCLMP_IND} + 500\text{ mV}$	3.5		15	mA

- (1) The TCLMP_PRT time includes the time through the digital synchronizers. When the clock speed is reduced, the signal assertion time may be longer.

7.14 Port Data Multiplexer SBU Detection Requirements

Recommended operating conditions; $T_A = -10$ to $+85^\circ\text{C}$ unless otherwise noted

PARAMETER		TEST CONDITIONS	MIN	TYP	MAX	UNIT
VIH_PORT	Port switch detect input high voltage	LDO_3V3 = 3.3 V	2.0			v
VIL_PORT	Port switch detect input low voltage	LDO_3V3 = 3.3 V			0.8	V

7.15 Port Data Multiplexer Signal Monitoring Pullup and Pulldown Characteristics

Recommended operating conditions; $T_A = -10$ to $+85^\circ\text{C}$ unless otherwise noted

PARAMETER		TEST CONDITIONS	MIN	TYP	MAX	UNIT
RPU05	500- Ω pullup and down resistance	LDO_3V3 = 3.3 V	350	500	650	Ω
RTPU5	5-k Ω pullup and down resistance	LDO_3V3 = 3.3 V	3.5	5	6.5	k Ω
RPU100	100-k Ω pullup and down resistance	LDO_3V3 = 3.3 V	70	100	130	k Ω

7.16 Port Data Multiplexer USB Endpoint Requirements and Characteristics

Recommended operating conditions; $T_A = -10$ to $+85^\circ\text{C}$ unless otherwise noted

PARAMETER		TEST CONDITIONS	MIN	TYP	MAX	UNIT
TRANSMITTER⁽¹⁾						
T_RISE_EP	Rising transition time	Low-speed (1.5 Mbps) data rate only	75		300	ns
T_FALL_EP	Falling transition time	Low-speed (1.5 Mbps) data rate only	75		300	ns
T_RRM_EP	Rise and fall time matching	Low-speed (1.5 Mbps) data rate only	-20%		25%	
V_XOVER_EP	Output crossover voltage		1.3		2	V
RS_EP	Source resistance of driver including 2nd Stage Port Data Multiplexer			34		Ω
DIFFERENTIAL RECEIVER⁽¹⁾						
VOS_DIFF_EP	Input offset		-100		100	mV
VIN_CM_EP	Common Mode Range		0.8		2.5	V

7.16 Port Data Multiplexer USB Endpoint Requirements and Characteristics (continued)

 Recommended operating conditions; $T_A = -10$ to $+85^\circ\text{C}$ unless otherwise noted

PARAMETER		TEST CONDITIONS	MIN	TYP	MAX	UNIT
RPU_EP	D - Bias Resistance	Receiving	1.425		1.575	k Ω
SINGLE ENDED RECEIVER⁽¹⁾						
VTH_SE_EP	Single ended threshold	Signal rising/falling	0.8		2	V
VHYS_SE_EP	Single ended threshold hysteresis	Signal falling		200		mV

(1) The USB Endpoint PHY is functional across the entire VIN_3V3 operating range, but parameter values are only verified by design for $VIN_3V3 \geq 3.135$ V

7.17 Port Data Multiplexer BC1.2 Detection Requirements and Characteristics

 Recommended operating conditions; $T_A = -10$ to $+85^\circ\text{C}$ unless otherwise noted

PARAMETER		TEST CONDITIONS	MIN	TYP	MAX	UNIT
DATA CONTACT DETECT						
IDP_SRC	DCD Source Current	LDO_3V3 = 3.3 V	7	10	13	μ A
RDM_DWN	DCD pulldown resistance		14.25	20	24.8	k Ω
VLGC_HI	Threshold for no connection	VC_USB_TP/BP \geq VLGC_HILDO_3V3 = 3.3 V LDO_3V3 = 3.3 V	2			V
VLGC_LO	Threshold for connection	VC_USB_TP/BP \leq VLGC_LO LDO_3V3 = 3.3 V			0.8	V
PRIMARY AND SECONDARY DETECT						
VDX_SRC	Source voltage		0.55	0.6	0.65	V
VDX_RSRC	Total series resistance due to Port Data Multiplexer	VDX_SRC = 0.65 V			65	Ω
VDX_ILIM	VDX_SRC current limit		250		400	μ A
IDX_SNK	Sink Current	VC_USB_TN/BN \geq 250 mV	25	75	125	μ A

7.18 Analog-to-Digital Converter (ADC) Characteristics

 Recommended operating conditions; $T_A = -10$ to $+85^\circ\text{C}$ unless otherwise noted

PARAMETER		TEST CONDITIONS	MIN	TYP	MAX	UNIT
RES_ADC	ADC resolution			10		bits
F_ADC	ADC clock frequency		1.477	1.5	1.523	MHz
T_ENA	ADC enable time		42.14	43	43.86	μ s
T_SAMPLEA	ADC input sample time		10.5	10.67	10.9	μ s
T_CONVERTA	ADC conversion time		7.88	8	8.12	μ s
T_INTA	ADC interrupt time		1.31	1.33	1.35	μ s
LSB	Least significant bit		1.152	1.17	1.188	mV
DNL	Differential non-linearity		-0.65		0.65	LSB
INL	Integral non-linearity		-1.2		1.2	LSB
GAIN_ERR	Gain error (divider)		-		1.5%	
	Gain error (no divider)		-1		1	
VOS_ERR	Buffer offset error		-10		10	mV
THERM_ACC	Thermal sense accuracy		-8		8	$^\circ\text{C}$
THERM_GAIN	Thermal slope			3.095		mV/ $^\circ\text{C}$
THERM_V0	Zero degree voltage			0.823		V

7.19 Input/Output (I/O) Requirements and Characteristics

Recommended operating conditions; $T_A = -10$ to $+85^\circ\text{C}$ unless otherwise noted

PARAMETER		TEST CONDITIONS	MIN	TYP	MAX	UNIT
SPI						
SPI_VIH	High-level input voltage	LDO_3V3 = 3.3 V	2			V
SPI_VIL	Low-level input voltage	LDO_3V3 = 3.3 V			0.8	V
SPI_HYS	Input hysteresis voltage	LDO_3V3 = 3.3 V	0.2			V
SPI_ILKG	Leakage current	Output is Hi-Z, $V_{IN} = 0$ to LDO_3V3	-1		1	μA
SPI_VOH	SPI output high voltage	$I_O = -8$ mA, LDO_3V3=3.3 V	2.9			V
		$I_O = -15$ mA, LDO_3V3=3.3 V	2.5			
SPI_VOL	SPI output low voltage	$I_O = 10$ mA			0.4	V
		$I_O = 20$ mA			0.8	

7.19 Input/Output (I/O) Requirements and Characteristics (continued)

Recommended operating conditions; $T_A = -10$ to $+85^\circ\text{C}$ unless otherwise noted

PARAMETER		TEST CONDITIONS	MIN	TYP	MAX	UNIT
SWDIO						
SWDIO_VIH	High-level input voltage	LDO_3V3 = 3.3 V	2			V
SWDIO_VIL	Low-level input voltage	LDO_3V3 = 3.3 V			0.8	V
SWDIO_HYS	Input Hysteresis Voltage	LDO_3V3 = 3.3 V	0.2			V
SWDIO_ILKG	Leakage current	Output is Hi-Z, $V_{IN} = 0$ to LDO_3V3	-1		1	μA
SWDIO_VOH	Output high voltage	$I_O = -8$ mA, LDO_3V3 = 3.3 V	2.9			V
		$I_O = -15$ mA, LDO_3V3 = 3.3 V	2.5			
SWDIO_VOL	Output low voltage	$I_O = 10$ mA			0.4	V
		$I_O = 20$ mA			0.8	
SWDIO_RPU	Pullup resistance		2.8	4	5.2	k Ω
SWDIO_TOS	SWDIO output skew to falling edge SWDCLK		-5		5	ns
SWDIO_TIS	Input setup time required between SWDIO and rising edge of SWCLK		6			ns
SWDIO_TIH	Input hold time required between SWDIO and rising edge of SWCLK		1			ns
SWDCLK						
SWDCL_VIH	High-level input voltage	LDO_3V3 = 3.3 V	2			V
SWDCL_VIL	Low-level input voltage	LDO_3V3 = 3.3 V			0.8	V
SWDCL_THI	SWDIOCLK HIGH period		0.05		500	μs
SWDCL_TLO	SWDIOCLK LOW period		0.05		500	μs
SWDCL_HYS	Input hysteresis voltage	LDO_3V3 = 3.3 V	0.2			V
SWDCL_RPU	Pullup resistance		2.8	4	5.2	k Ω
GPIO, MRESET, RESET, BUSPOWERZ						
GPIO_VIH	High-level input voltage	LDO_3V3 = 3.3 V	2			V
		VDDIO = 1.8 V	1.25			
GPIO_VIL	Low-level input voltage	LDO_3V3 = 3.3 V			0.8	V
		VDDIO = 1.8 V			0.63	
GPIO_HYS	Input hysteresis Voltage	LDO_3V3 = 3.3 V	0.2			V
		VDDIO = 1.8 V	0.09			
GPIO_ILKG	I/O leakage current	INPUT = 0 V to VDD	-1		1	μA
GPIO_RPU	Pullup resistance	Pullup enabled	50	100	150	k Ω
	DEBUG_CRTL1/2 pullup resistance	Pullup enabled	2.5	5	7.5	
GPIO_RPD	Pulldown resistance (DEBUG_CRTL1/2 have no pulldown resistance path)	Pulldown enabled	50	100	150	k Ω
GPIO_DG	Digital input path deglitch			20		ns
GPIO_VOH	GPIO output high voltage	$I_O = -2$ mA, LDO_3V3 = 3.3 V	2.9			V
		$I_O = -2$ mA, VDDIO = 1.8 V	1.35			
GPIO_VOL	GPIO output low voltage	$I_O = 2$ mA, LDO_3V3 = 3.3 V			0.4	V
		$I_O = 2$ mA, VDDIO = 1.8 V			0.45	
HRESET						
HRESET_VIH	High-level input voltage		1.25			V
HRESET_VIL	Low-level input voltage				0.63	V
HRESET_HYS	Input hysteresis Voltage		.09			V
HRESET_ILKG	I/O leakage current	INPUT = 0 V to LDO_1V8D	-1		1	μA
HRESET_THIGH	HRESET minimum high time to assert a reset condition.		2.0			ms
HRESET_TLOW	HRESET minimum low time to deassert a reset condition.		2.0			
UART_RX/TX, LSX_P2R/R2P						

7.19 Input/Output (I/O) Requirements and Characteristics (continued)

Recommended operating conditions; $T_A = -10$ to $+85^\circ\text{C}$ unless otherwise noted

PARAMETER		TEST CONDITIONS	MIN	TYP	MAX	UNIT
UARTRX_VIH	High-level input voltage	LDO_3V3 = 3.3 V	2			V
		VDDIO = 1.8 V	1.25			
UARTRX_VIL	Low-level input voltage	LDO_3V3 = 3.3 V	0.8			V
		VDDIO = 1.8 V	0.63			
UARTRX_HYS	Input hysteresis voltage	LDO_3V3 = 3.3 V	0.2			V
		VDDIO = 1.8 V	0.09			
UARTTX_VOH	GPIO output high voltage	$I_O = -2$ mA, LDO_3V3 = 3.3 V	2.9			V
		$I_O = -2$ mA, VDDIO = 1.8 V	1.35			
UARTTX_VOL	GPIO output low voltage	$I_O = 2$ mA, LDO_3V3 = 3.3 V	0.4			V
		$I_O = 2$ mA, VDDIO = 1.8 V	0.45			
UARTTX_RO	Output impedance, TX channel	LDO_3V3 = 3.3 V	35	70	115	Ω
UARTTX_TRTF	Rise and fall time, TX channel	10% - 90%, $C_L = 20$ pF	1		40	ns
UART_FMAX	Maximum UART baud rate				1.1	Mbps
I2C_IRQ1Z, I2C_IRQ2Z						
OD_VOL	Low level output voltage	$I_{OL} = 2$ mA			0.4	V
OD_LKG	Leakage current	Output is Hi-Z, $V_{IN} = 0$ to LDO_3V3	-1		1	μA
SBU						
SBU_VIH	High-level input voltage	LDO_3V3 = 3.3 V	2			V
SBU_VIL	Low-level input voltage	LDO_3V3 = 3.3 V			0.8	V
SBU_HYS	Input hysteresis voltage	LDO_3V3 = 3.3 V	0.2			V

7.20 I²C Slave Requirements and Characteristics

Recommended operating conditions; $T_A = -10$ to $+85^\circ\text{C}$ unless otherwise noted

PARAMETER		TEST CONDITIONS	MIN	TYP	MAX	UNIT
SDA and SCL COMMON CHARACTERISTICS						
ILEAK	Input leakage current	Voltage on Pin = LDO_3V3	-3		3	μA
VOL	SDA output low voltage	$I_{OL} = 3$ mA, LDO_3V3 = 3.3 V	0.4			V
		$I_{OL} = 3$ mA, VDDIO = 1.8 V	0.36			
IOL	SDA max output low current	VOL = 0.4 V	3			mA
		VOL = 0.6 V	6			
VIL	Input low signal	LDO_3V3 = 3.3 V	0.99			V
		VDDIO = 1.8 V	0.54			
VIH	Input high signal	LDO_3V3 = 3.3 V	2.31			V
		VDDIO = 1.8 V	1.26			
VHYS	Input Hysteresis	LDO_3V3 = 3.3 V	0.17			V
		VDDIO = 1.8 V	0.09			
TSP	I ² C pulse width suppressed				50	ns
CI	Pin Capacitance				10	pF
SDA and SCL STANDARD MODE CHARACTERISTICS						
FSCL	I ² C clock frequency		0		100	kHz
THIGH	I ² C clock high time		4			μs
TLOW	I ² C clock low time		4.7			μs
TSUDAT	I ² C serial data setup time		250			ns
THDDAT	I ² C serial data hold time		0			ns
TVDDAT	I ² C Valid data time	SCL low to SDA output valid			3.4	μs
TVDACK	I ² C Valid data time of ACK condition	ACK signal from SCL low to SDA (out) low			3.4	μs
TOCF	I ² C output fall time	10 pF to 400 pF bus			250	ns

7.20 I²C Slave Requirements and Characteristics (continued)

 Recommended operating conditions; T_A = - 10 to +85°C unless otherwise noted

PARAMETER		TEST CONDITIONS	MIN	TYP	MAX	UNIT
TBUF	I ² C bus free time between stop and start		4.7			μs
TSTS	I ² C start or repeated Start condition setup time		4.7			μs
TSTH	I ² C Start or repeated Start condition hold time		4			μs
TSPS	I ² C Stop condition setup time		4			μs
SDA and SCL FAST MODE CHARACTERISTICS						
FSCL	I ² C clock frequency		0		400	kHz
THIGH	I ² C clock high time		0.6			μs
TLOW	I ² C clock low time		1.3			μs
TSUDAT	I ² C serial data setup time		100			ns
THDDAT	I ² C serial data hold time		0			ns
TVDDAT	I ² C Valid data time	SCL low to SDA output valid			0.9	μs
TVDACK	I ² C Valid data time of ACK condition	ACK signal from SCL low to SDA (out) low			0.9	μs
TOCF	I ² C output fall time	10 pF to 400 pF bus, VDD = 3.3 V	12		250	ns
		10 pF to 400 pF bus, VDD = 1.8 V	6.5		250	
TBUF	I ² C bus free time between stop and start		1.3			μs
TSTS	I ² C start or repeated Start condition setup time		0.6			μs
TSTH	I ² C Start or repeated Start condition hold time		0.6			μs
TSPS	I ² C Stop condition setup time		0.6			μs

7.21 SPI Controller Characteristics

 Recommended operating conditions; T_A = - 10 to +85°C unless otherwise noted

PARAMETER		TEST CONDITIONS	MIN	TYP	MAX	UNIT
FSPI	Frequency of SPI_CLK		11.82	12	12.18	MHz
TPER	Period of SPI_CLK (1/F_SPI)		82.1	83.33	84.6	ns
TWHI	SPI_CLK High Width		30			ns
TWLO	SPI_CLK Low Width		30			ns
TDACT	SPI_SZZ falling to SPI_CLK rising delay time		30		50	ns
TDINACT	SPI_CLK falling to SPI_CSZ rising delay time		160		180	ns
TDPICO	SPI_CLK falling to SPI_PICO Valid delay time		- 5		5	ns
TSUPOCI	SPI_POCI valid to SPI_CLK falling setup time		21			ns
THDMSIO	SPI_CLK falling to SPI_POCI invalid hold time		0			ns
TRSPI	SPI_CSZ/CLK/PICO rise time	10% to 90%, C _L = 5 pF to 50 pF, LDO_3V3 = 3.3 V	0.1		8	ns
TFSPI	SPI_CSZ/CLK/PICO fall time	90% to 10%, C _L = 5 pF to 50 pF, LDO_3V3 = 3.3 V	0.1		8	ns

7.22 Single-Wire Debugger (SWD) Timing Requirements

 Recommended operating conditions; T_A = - 10 to +85°C unless otherwise noted

PARAMETER		TEST CONDITIONS	MIN	TYP	MAX	UNIT
FSWD	Frequency of SWD_CLK				10	MHz
TPER	Period of SWD_CLK (1/FSWD)		100			ns
TWHI	SWD_CLK High Width		35			ns
TWLO	SWD_CLK Low Width		35			ns
TDOUT	SWD_CLK rising to SWD_DATA valid delay time		2		25	ns
TSUIN	SWD_DATA valid to SWD_CLK rising setup time		9			ns

7.22 Single-Wire Debugger (SWD) Timing Requirements (continued)

Recommended operating conditions; $T_A = -10$ to $+85^\circ\text{C}$ unless otherwise noted

PARAMETER		TEST CONDITIONS	MIN	TYP	MAX	UNIT
THDIN	SWD_DATA hold time from SWD_CLK rising		3			ns
TRSWD	SWD Output rise time	10% to 90%, $C_L = 5$ pF to 50 pF, LDO_3V3 = 3.3 V	0.1		8	ns
TFSWD	SWD Output fall time	90% to 10%, $C_L = 5$ pF to 50 pF, LDO_3V3 = 3.3 V	0.1		8	ns

7.23 BUSPOWERZ Configuration Requirements

Recommended operating conditions; $T_A = -10$ to $+85^\circ\text{C}$ unless otherwise noted

PARAMETER		TEST CONDITIONS	MIN	TYP	MAX	UNIT
VBPZ_EXT	BUSPOWERZ Voltage for receiving VBUS Power through the PP_EXT path				0.8	V
VBPZ_HV	BUSPOWERZ Voltage for receiving VBUS Power through the PP_HV path		0.8		2.4	V
VBPZ_DIS	BUSPOWERZ Voltage for disabling system power from VBUS		2.4			V

7.24 HPD Timing Requirements and Characteristics

Recommended operating conditions; $T_A = -10$ to 85°C unless otherwise noted

PARAMETER		TEST CONDITIONS	MIN	TYP	MAX	UNIT
DP SOURCE SIDE (HPD TX)						
T_IRQ_MIN	HPD IRQ minimum assert time		675	750	825	μs
T_3MS_MIN	HPD Assert 3 ms minimum time		3	3.33	3.67	ms
DP SINK SIDE (HPD RX)						
T_HPD_HDB	HPD high de-bounce time	HPD_HDB_SEL = 0	300	375	450	μs
		HPD_HDB_SEL = 1	100	111	122	ms
T_HPD_LDB	HPD low de-bounce time		300	375	450	μs
T_HPD_IRQ	HPD IRQ limit time		1.35	1.5	1.65	ms

7.25 Thermal Shutdown Characteristics

Recommended operating conditions; $T_A = -10$ to $+85^\circ\text{C}$ unless otherwise noted

PARAMETER		TEST CONDITIONS	MIN	TYP	MAX	UNIT
TSD_MAIN	Thermal shutdown temperature of the main thermal shutdown	Temperature rising	145	160	175	$^\circ\text{C}$
TSDH_MAIN	Thermal shutdown hysteresis of the main thermal shutdown	Temperature falling		20		$^\circ\text{C}$
TSD_PWR	Thermal shutdown temperature of the power path block	Temperature rising	135	150	165	$^\circ\text{C}$
TSDH_PWR	Thermal shutdown hysteresis of the power path block	Temperature falling		37		$^\circ\text{C}$
TSD_DG	Programmable thermal shutdown detection deglitch time				0.1	ms

7.26 Oscillator Requirements and Characteristics

Recommended operating conditions; $T_A = -10$ to $+85^\circ\text{C}$ unless otherwise noted

PARAMETER		TEST CONDITIONS	MIN	TYP	MAX	UNIT
FOSC_48M	48-MHz oscillator		47.28	48	48.72	MHz
FOSC_100K	100-kHz oscillator		95	100	105	kHz
RR_OSC	External oscillator set resistance (0.2%)		14.985	15	15.015	k Ω

7.27 Typical Characteristics

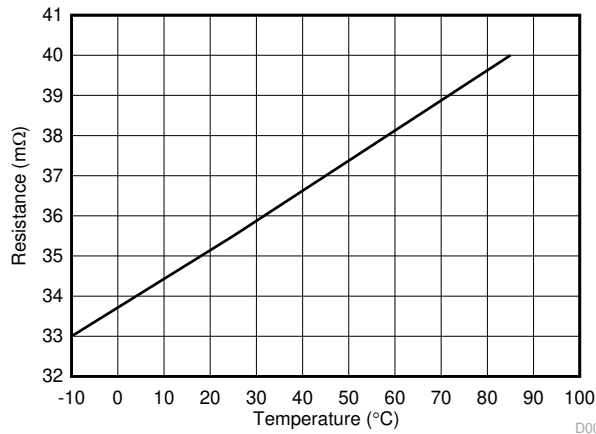


图 7-1. PP_5V0 Switch On-Resistance vs. Temperature

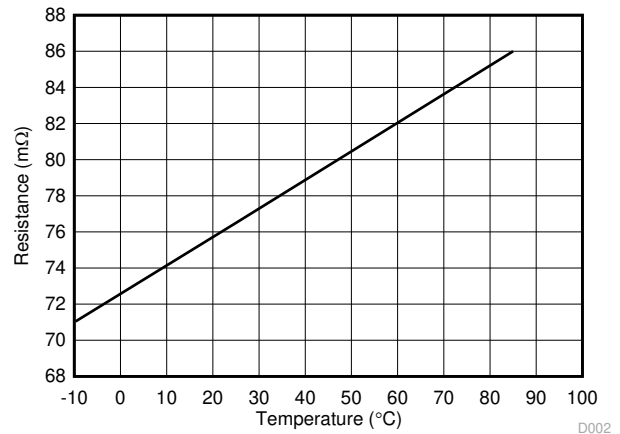


图 7-2. PP_HV Switch On-Resistance vs. Temperature

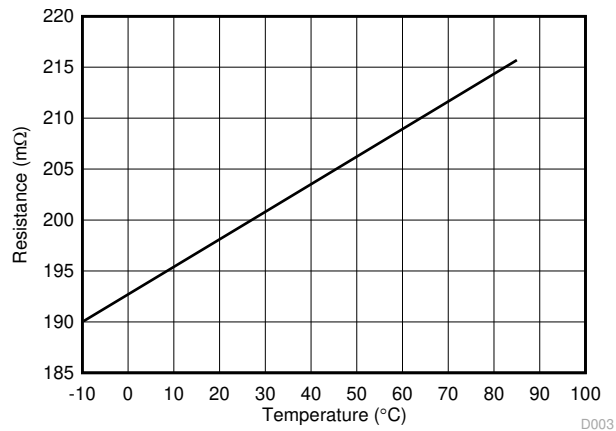


图 7-3. PP_CABLE Switch On-Resistance vs. Temperature

8 Parameter Measurement Information

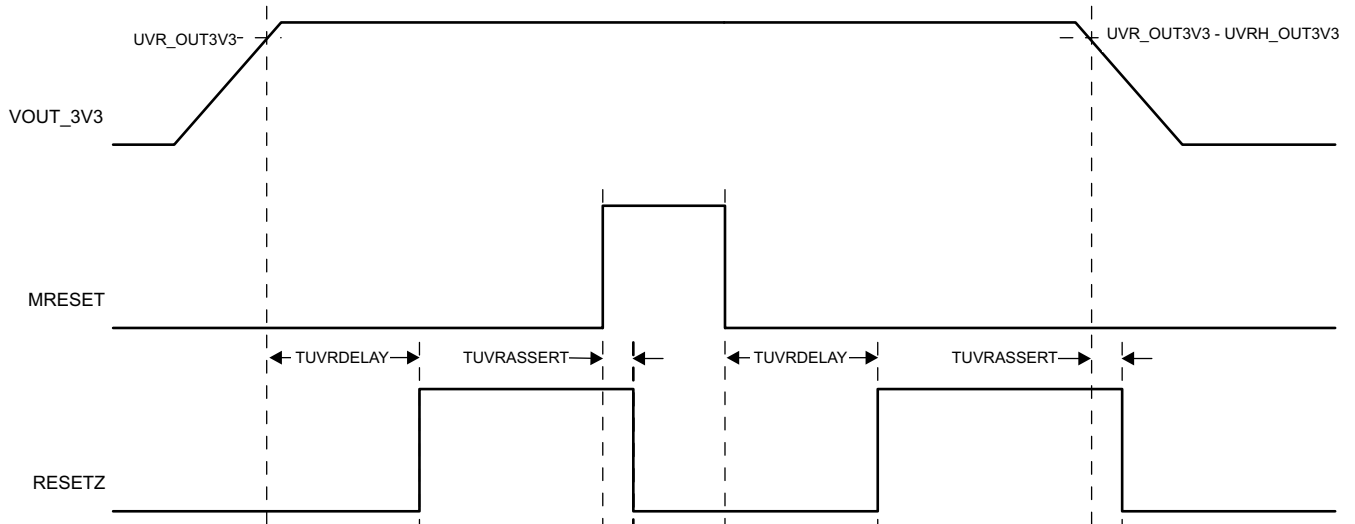


图 8-1. RESETZ Assertion Timing

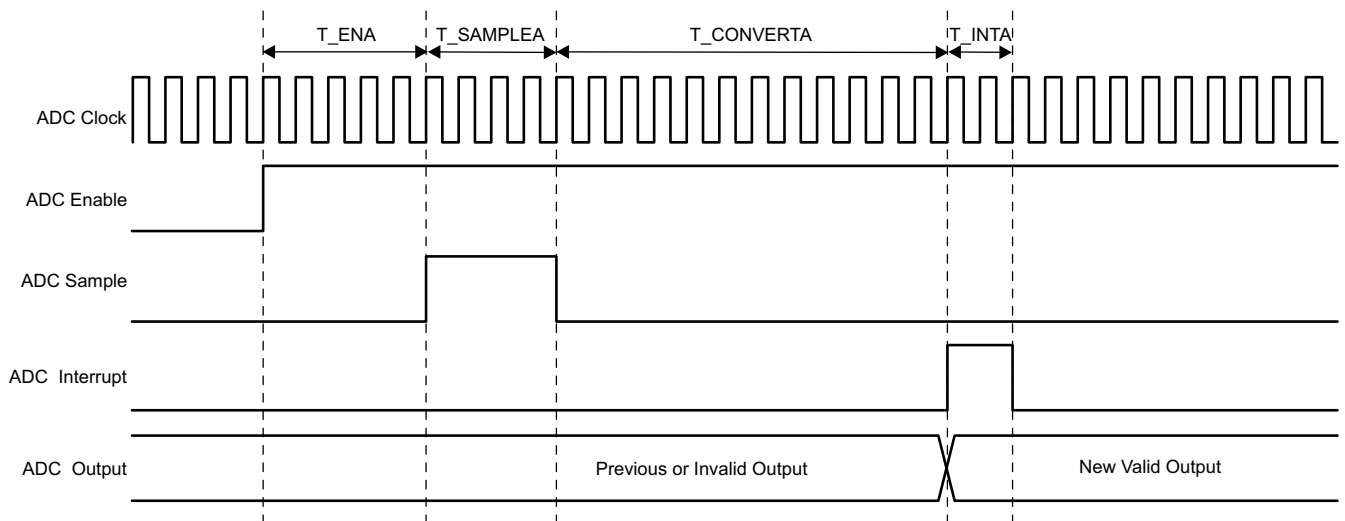


图 8-2. ADC Enable and Conversion Timing

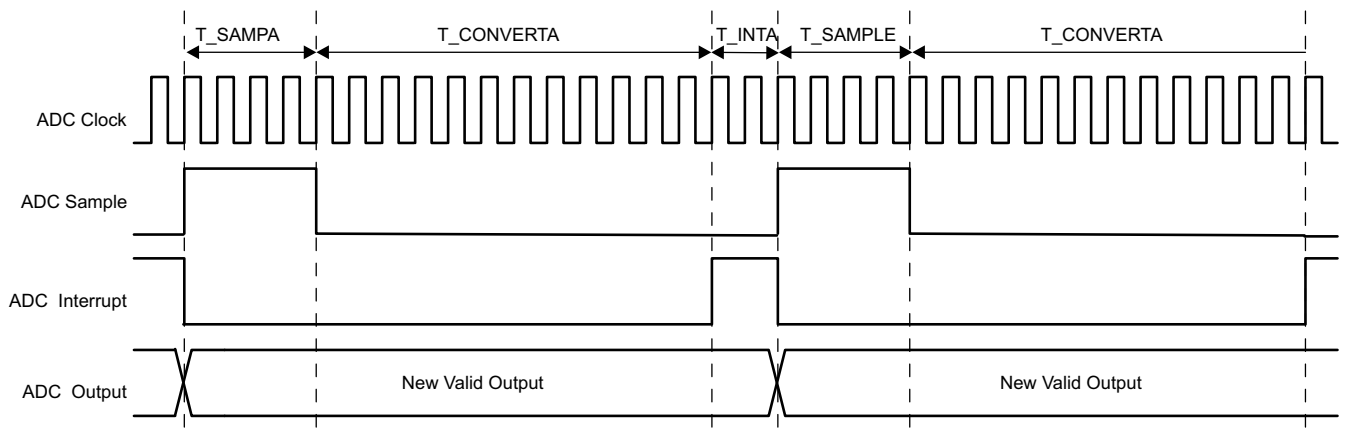


图 8-3. ADC Repeated Conversion Timing

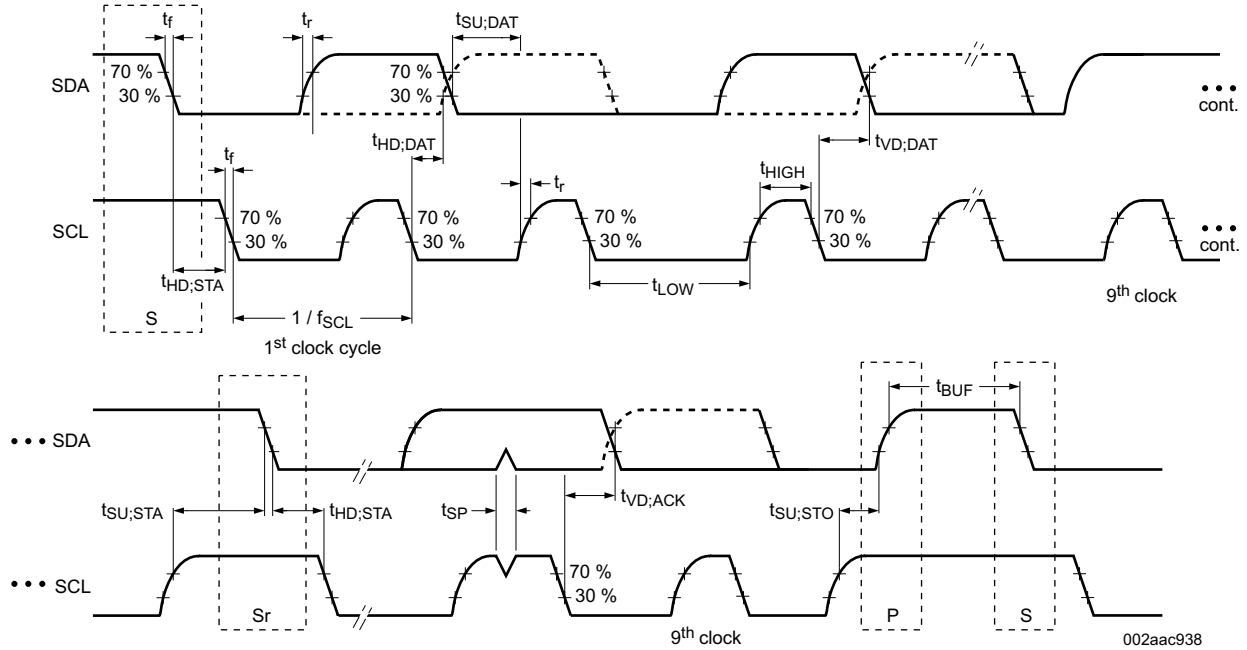


图 8-4. I²C Slave Interface Timing

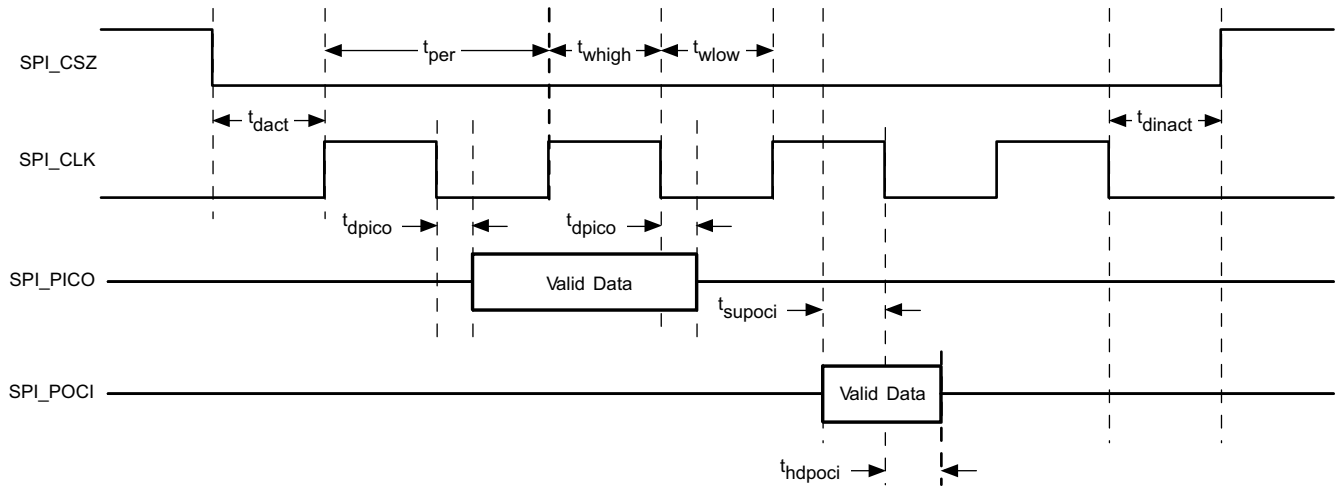


图 8-5. SPI Controller Timing

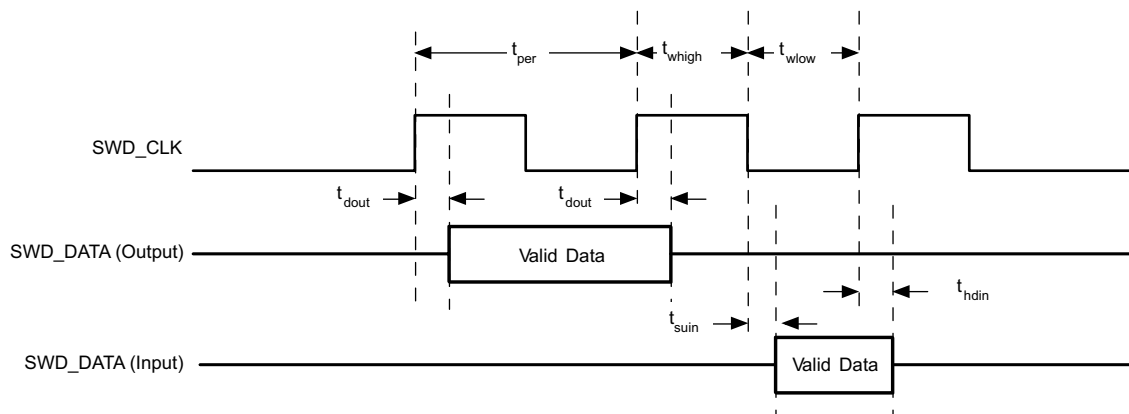


图 8-6. SWD Timing

9 Detailed Description

9.1 Overview

The TPS65983B is a fully-integrated USB Power Delivery (USB-PD) management device providing cable-plug and orientation detection for a USB Type-C and PD plug or receptacle. The TPS65983B communicates with the cable and another USB Type-C and PD device at the opposite end of the cable, enables integrated port-power switches, controls an external high-current port-power switch, and multiplexes high-speed data to the port for USB2.0 and supported Alternate Mode sideband information. The TPS65983B also controls an attached super-speed multiplexer to simultaneously support USB3.0/3.1 data rates and DisplayPort video.

The TPS65983B is divided into six main sections: the USB-PD controller, the cable-plug and orientation detection circuitry, the port-power switches, the port-data multiplexer, the power-management circuitry, and the digital core.

The USB-PD controller provides the physical layer (PHY) functionality of the USB-PD protocol. The USB-PD data is output through either the C_CC1 pin or the C_CC2 pin, depending on the orientation of the reversible USB Type-C cable. For a high-level block diagram of the USB-PD physical layer, a description of features, and more detailed circuitry, refer to the [USB-PD Physical Layer](#) section.

The analog circuitry for cable-plug and orientation detection automatically detects a USB Type-C cable-plug insertion and also automatically detects the cable orientation. For a high-level block diagram of cable plug and orientation detection, a description of features, and more detailed circuitry, refer to the [Cable Plug and Orientation Detection](#) section.

The port-power switches provide power to the system port through the VBUS pin and also through the C_CC1 or C_CC2 pins based on the detected plug orientation. For a high-level block diagram of the port-power switches, a description of features, and more detailed circuitry, refer to the [Port Power Switches](#) section.

The port-data multiplexer connects various input pairs to the system port through the C_USB_TP, C_USB_TN, C_USB_BP, C_USB_BN, C_SBU1 and C_SBU2 pins. For a high-level block diagram of the port-data multiplexer, a description of features, and more detailed circuitry, refer to the [USB Type-C Port Data Multiplexer](#) section.

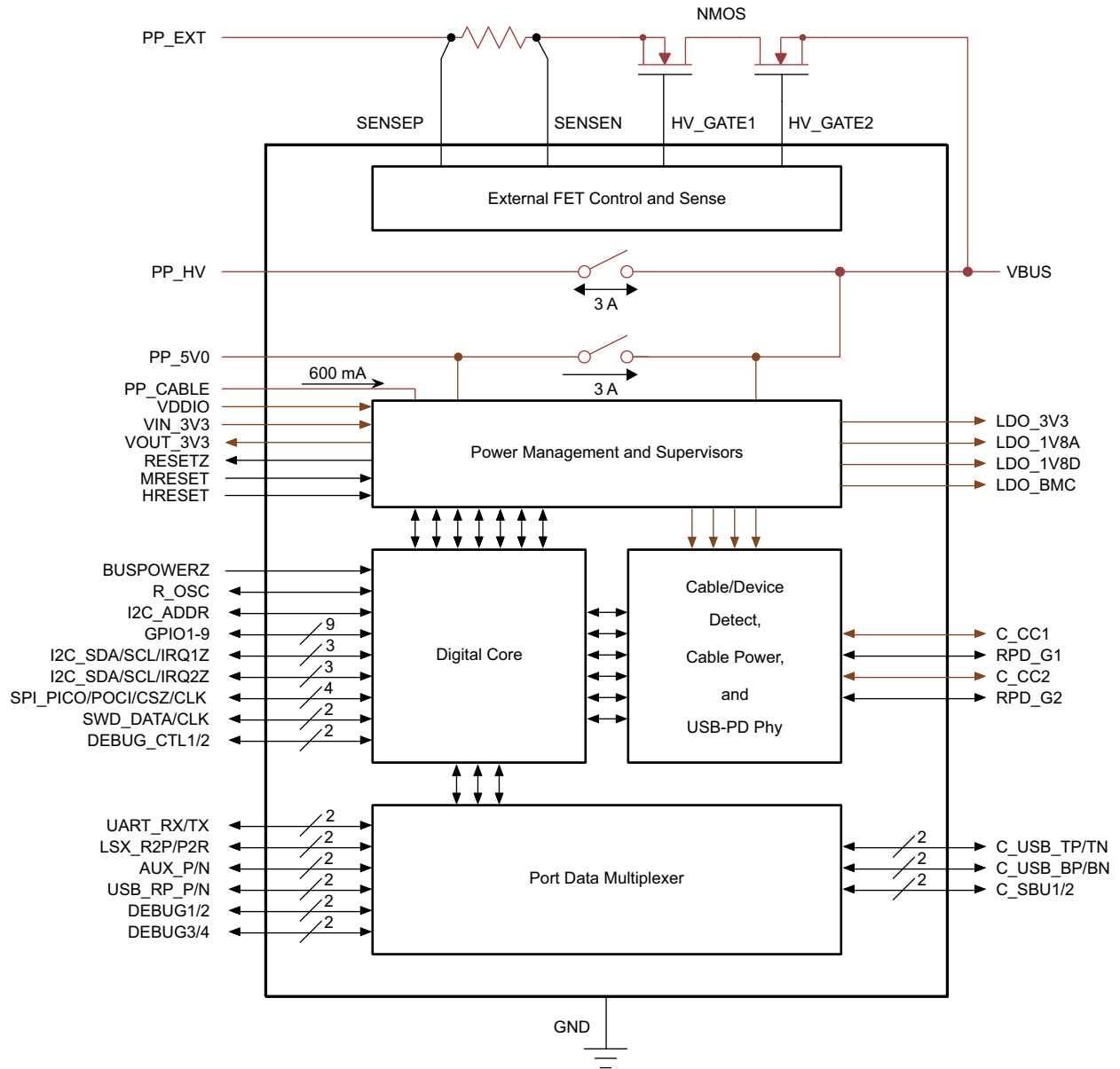
The power-management circuitry receives and provides power to the TPS65983B internal circuitry and to the VOUT_3V3 and LDO_3V3 outputs. For a high-level block diagram of the power-management circuitry, a description of features and, more detailed circuitry, refer to the [Power Management](#) section.

The digital core provides the engine for receiving, processing, and sending all USB-PD packets as well as handling control of all other TPS65983B functionality. A small portion of the digital core contains non-volatile memory, called boot code, which is capable of initializing the TPS65983B and loading a larger, configurable portion of application code into volatile memory in the digital core. For a high-level block diagram of the digital core, a description of features and, more detailed circuitry, refer to the [Digital Core](#) section.

The digital core of the TPS65983B also interprets and uses information provided by the analog-to-digital converter ADC (see the [ADC](#) section), is configurable to read the status of general purpose inputs and trigger events accordingly, and controls general outputs which are configurable as push-pull or open-drain types with integrated pullup or pulldown resistors and can operate tied to a 1.8 V or 3.3-V rail. The TPS65983B is an I²C slave to be controlled by a host processor (see the [I²C Slave Interface](#) section), a SPI controller to write to and read from an external flash memory (see the [SPI Controller Interface](#) section), and is programmed by a single-wire debugger (SWD) connection (see the [Single-Wire Debugger Interface](#) section).

The TPS65983B also integrates a thermal shutdown mechanism (see [Thermal Shutdown](#) section) and runs off of accurate clocks provided by the integrated oscillators (see the [Oscillators](#) section).

9.2 Functional Block Diagram



9.3 Feature Description

9.3.1 USB-PD Physical Layer

图 9-1 shows the USB PD physical-layer block surrounded by a simplified version of the analog plug and orientation detection block.

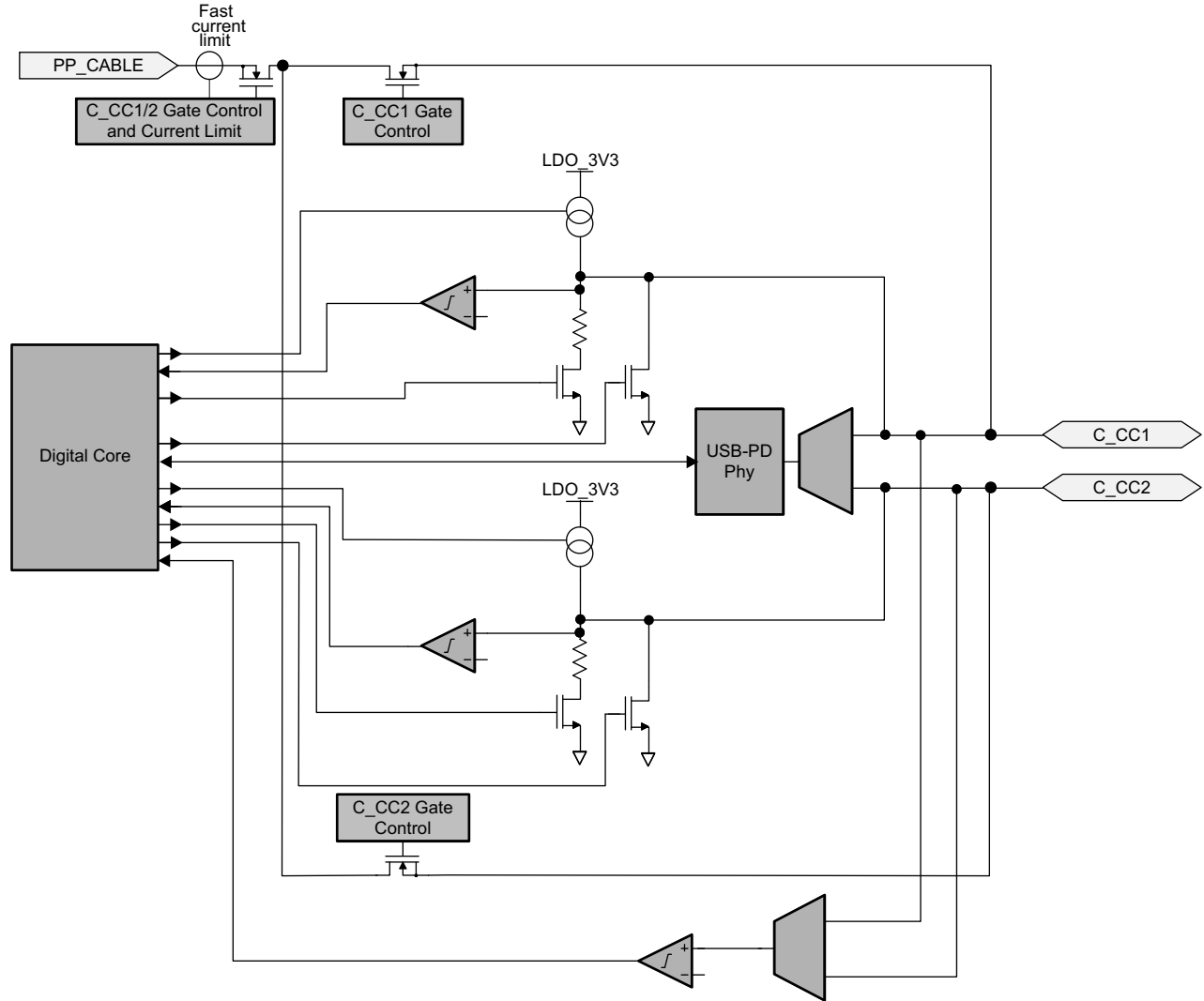


图 9-1. USB-PD Physical Layer and Simplified Plug and Orientation Detection Circuitry

USB-PD messages are transmitted in a USB Type-C system using a BMC signaling. The BMC signal is output on the same pin (C_CC1 or C_CC2) that is DC biased because of the DFP (or UFP) cable attach mechanism discussed in the [Cable Plug and Orientation Detection](#) section.

9.3.1.1 USB-PD Encoding and Signaling

图 9-2 shows the high-level block diagram of the baseband USB-PD transmitter. 图 9-3 shows the high-level block diagram of the baseband USB-PD receiver.

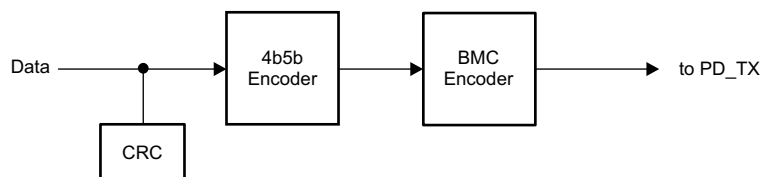


图 9-2. USB-PD Baseband Transmitter Block Diagram

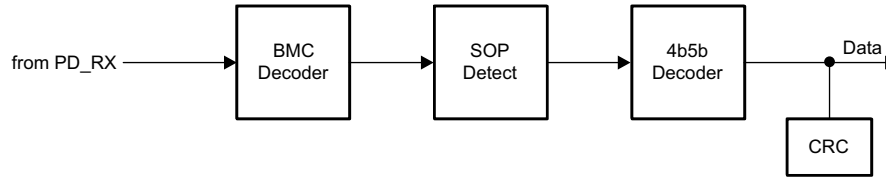


图 9-3. USB-PD Baseband Receiver Block Diagram

The USB-PD baseband signal is driven on the C_CCn pins with a tri-state driver. The tri-state driver is slew-rate limited to reduce the high-frequency components imparted on the cable and to avoid interference with frequencies used for communication.

9.3.1.2 USB-PD Bi-Phase Marked Coding

The USB-PD physical layer implemented in the TPS65983B is compliant to the [USB-PD Specifications](#). The encoding scheme used for the baseband PD signal is a version of Manchester coding called Biphasic Mark Coding (BMC). In this code, a transition occurs at the start of every bit time and a second transition occurs in the middle of the bit cell when a 1 is transmitted. This coding scheme is nearly DC balanced with limited disparity (limited to 1/2 bit over an arbitrary packet, so a very low DC level). 图 9-4 shows the Biphasic Mark Coding.

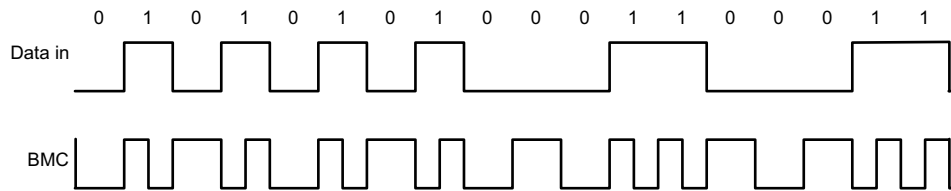


图 9-4. Biphasic Mark Coding Example

The USB PD baseband signal is driven onto the C_CC1 or C_CC2 pins with a tri-state driver. The tri-state driver is slew rate to limit coupling to D+/D- and to other signal lines in the Type-C fully featured cables. When sending the USB-PD preamble, the transmitter will start by transmitting a low level. The receiver at the other end will tolerate the loss of the first edge. The transmitter will terminate the final bit by an edge to ensure the receiver clocks the final bit of EOP.

9.3.1.3 USB-PD Transmit (TX) and Receive (Rx) Masks

The USB-PD driver meets the defined USB-PD BMC TX masks. Because a BMC coded as 1 contains a signal edge at the beginning and middle of the UI, and the BMC coded as 0 contains only an edge at the beginning, the masks are different for each. The USB-PD receiver meets the defined USB-PD BMC Rx masks. The boundaries of the Rx outer mask are specified to accommodate a change in signal amplitude because of the ground offset through the cable. The Rx masks are therefore larger than the boundaries of the TX outer mask. Similarly, the boundaries of the Rx inner mask are smaller than the boundaries of the TX inner mask. Triangular time masks are superimposed on the TX outer masks and defined at the signal transitions to require a minimum edge rate that will have minimal impact on adjacent higher speed lanes. The TX inner mask enforces the maximum limits on the rise and fall times. Refer to the [USB-PD Specifications](#) for more details.

9.3.1.4 USB-PD BMC Transmitter

The TPS65983B transmits and receives USB-PD data over one of the C_CCn pins. The C_CCn pin is also used to determine the cable orientation (see the [Cable Plug and Orientation Detection](#) section) and maintain cable/device attach detection. Thus, a DC bias will exist on the C_CCn. The transmitter driver will overdrive the C_CCn DC bias while transmitting, but will return to a Hi-Z state allowing the DC voltage to return to the C_CCn pin when not transmitting. 图 9-5 shows the USB-PD BMC TX/Rx driver block diagram.

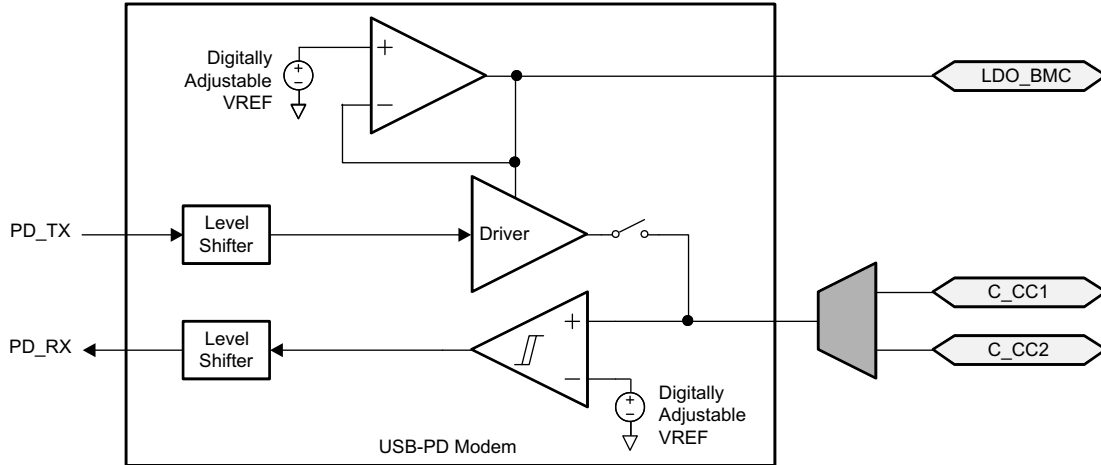


图 9-5. USB-PD BMC TX/Rx Block Diagram

图 9-6 shows the transmission of the BMC data on top of the DC bias. Note, The DC bias can be anywhere between the minimum threshold for detecting a UFP attach ($V_{D_CCH_USB}$) and the maximum threshold for detecting a UFP attach to a DFP ($V_{D_CCH_3P0}$) defined in the *Cable Plug and Orientation Detection* section. This means that the DC bias can be below V_{OH} of the transmitter driver or above V_{OH} .

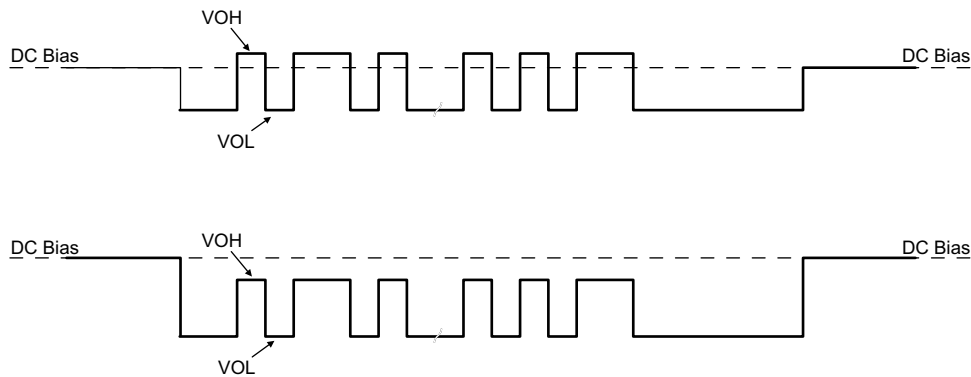


图 9-6. TX Driver Transmission with DC Bias

The transmitter drives a digital signal onto the C_CCn lines. The signal peak V_{TXP} is adjustable by application code and sets the V_{OH}/V_{OL} for the BMC data that is transmitted, and is defined in *USB-PD TX Driver Voltage Adjustment Parameter*. Keep in mind that the settings in a final system must meet the TX masks defined in the *USB-PD Specifications*.

When driving the line, the transmitter driver has an output impedance of Z_{DRIVER} . Z_{DRIVER} is determined by the driver resistance and the shunt capacitance of the source and is frequency dependent. Z_{DRIVER} impacts the noise ingress in the cable.

图 9-7 shows the simplified circuit determining Z_{DRIVER} . It is specified such that noise at the receiver is bounded.

Z_{DRIVER} is defined by 方程式 1.

$$Z_{DRIVER} = \frac{R_{DRIVER}}{1 + s \times R_{DRIVER} \times C_{DRIVER}} \quad (1)$$

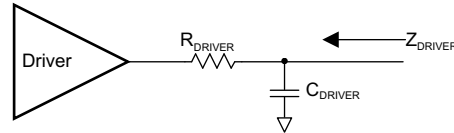


图 9-7. ZDRIVER Circuit

9.3.1.5 USB-PD BMC Receiver

The receiver block of the TPS65983B receives a signal that falls within the allowed Rx masks defined in the USB PD specification. The receive thresholds and hysteresis come from this mask. The values for VRXTR and VRXTF are listed in [USB-PD Baseband Signal Requirements and Characteristics](#).

图 9-8 shows an example of a multi-drop USB-PD connection. This connection has the typical UFP (device) to DFP (host) connection, but also includes cable USB-PD TX/Rx blocks. Only one system can be transmitting at a time. All other systems are Hi-Z (ZBMC RX). The [USB-PD Specification](#) also specifies the capacitance that can exist on the wire as well as a typical DC bias setting circuit for attach detection.

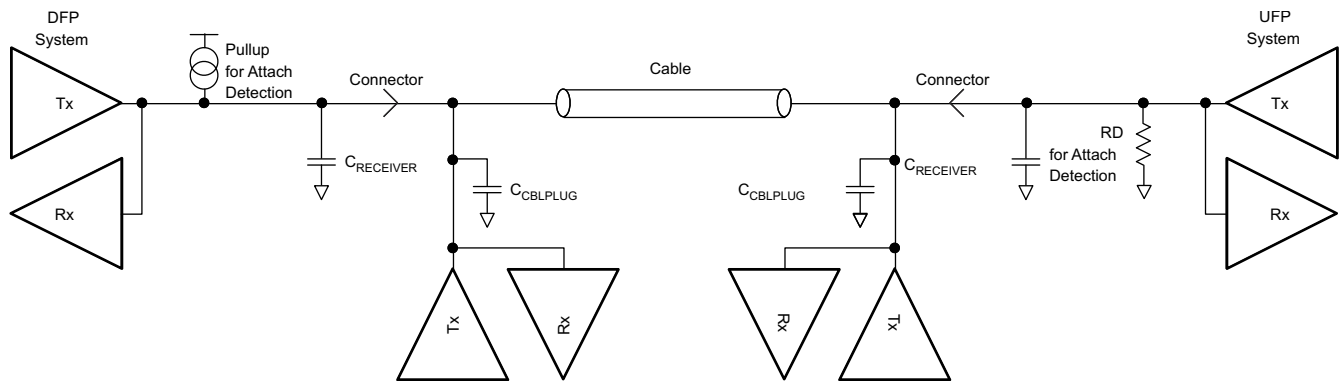


图 9-8. Example USB-PD Multi-Drop Configuration

9.3.2 Cable Plug and Orientation Detection

图 9-9 shows the plug and orientation detection block at each C_CC pin (C_CC1 and C_CC2). Each pin has identical detection circuitry.

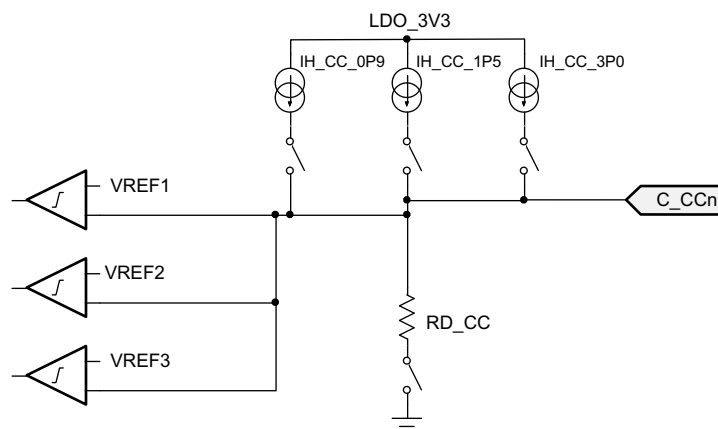


图 9-9. Plug and Orientation Detection Block

9.3.2.1 Configured as a DFP

When configured as a DFP, the TPS65983B detects when a cable or a UFP is attached using the C_CC1 and C_CC2 pins. When in a disconnected state, the TPS65983B monitors the voltages on these pins to determine what, if anything, is connected. Refer to the [USB Type-C Specification](#) for more information.

表 9-1 shows the high-level detection results. Refer to the [USB Type-C Specification](#) for more information.

表 9-1. Cable Detect States for a DFP

C_CC1	C_CC2	CONNECTION STATE	RESULTING ACTION
Open	Open	Nothing attached	Continue monitoring both C_CC pins for attach. Power is not applied to VBUS or VCONN until a UFP connect is detected.
Rd	Open	UFP attached	Monitor C_CC1 for detach. Power is applied to VBUS but not to VCONN (C_CC2).
Open	Rd	UFP attached	Monitor C_CC2 for detach. Power is applied to VBUS but not to VCONN (C_CC1).
Ra	Open	Powered Cable/No UFP attached	Monitor C_CC2 for a UFP attach and C_CC1 for cable detach. Power is not applied to VBUS or VCONN (C_CC1) until a UFP attach is detected.
Open	Ra	Powered Cable/No UFP attached	Monitor C_CC1 for a UFP attach and C_CC2 for cable detach. Power is not applied to VBUS or VCONN (C_CC1) until a UFP attach is detected.
Ra	Rd	Powered Cable/UFP Attached	Provide power on VBUS and VCONN (C_CC1) then monitor C_CC2 for a UFP detach. C_CC1 is not monitored for a detach.
Rd	Ra	Powered Cable/UFP attached	Provide power on VBUS and VCONN (C_CC2) then monitor C_CC1 for a UFP detach. C_CC2 is not monitored for a detach.
Rd	Rd	Debug Accessory Mode attached	Sense either C_CC pin for detach.
Ra	Ra	Audio Adapter Accessory Mode attached	Sense either C_CC pin for detach.

When the TPS65983B is configured as a DFP, a current IH_CC is driven out each C_CCn pin and each pin is monitored for different states. When a UFP is attached to the pin, a pulldown resistance of Rd to GND will exist. The current IH_CC is then forced across the resistance Rd generating a voltage at the C_CCn pin.

When configured as a DFP advertising Default USB current sourcing capability, the TPS65983B applies IH_CC_USB to each C_CCn pin. When a UFP with a pulldown resistance Rd is attached, the voltage on the C_CCn pin will pull below VH_CCD_USB. The TPS65983B can also be configured as a DFP to advertise default (500 mA), 1.5 A and 3 A sourcing capabilities.

When the C_CCn pin is connected to an active cable VCONN (power to the active cable), the pulldown resistance will be different (Ra). In this case, the voltage on the C_CCn pin will pull below VH_CCA_USB/1P5/3P0 and the system will recognize the active cable.

The VH_CCD_USB/1P5/3P0 thresholds are monitored to detect a disconnection from each of these cases respectively. When a connection has been recognized and the voltage on the C_CCn pin rises above the VH_CCD_USB/1P5/3P0 threshold, the system will register a disconnection.

9.3.2.2 Configured as a UFP

When the TPS65983B is configured as a UFP, the TPS65983B presents a pulldown resistance RD_CC on each C_CCn pin and waits for a DFP to attach and pullup the voltage on the pin. The DFP will pullup the C_CC pin by applying either a resistance or a current. The UFP detects an attachment by the presence of VBUS. The UFP determines the advertised current from the DFP by the pullup applied to the C_CCn pin.

9.3.2.3 Fast Role Swap Signaling

The TPS6593B cable plug block contains additional circuitry that may be used to support the Fast Role Swap (FRS) behavior defined in the USB Power Delivery Specification.

When the TPS65983B is operating as a Sink with FRS enabled, the TPS65983B monitors the CC pin voltage. If the CC voltage falls below VFRSDETECT, a fast role swap situation is detected and signaled to the digital core. When this signal is detected, the TPS65983B ceases operating as a Sink and begins operating as a Source.

When the TPS65983B is operating as a Source with FRS enabled, the TPS65983B digital core can signal to the connected port partner that a fast role swap is required by enabling the RFRSTX pull down on the connected CC pin. When this signal is sent, the TPS65983B ceases operating as the Source and begins operating as a Sink.

9.3.2.4 Dead-Battery or No-Battery Support

Type-C USB ports require a sink to present R_d on the CC pin before a USB Type-C source will provide a voltage on VBUS. The TPS65983B is hardware-configurable to present this R_d during a dead-battery or no-battery condition. Additional circuitry provides a mechanism to turn off this R_d when the port is acting as a source. [Figure 9-10](#) shows the RPD_Gn pin used to configure the behavior of the C_CCn pins, and elaborates on the basic cable plug and orientation detection block shown in [Figure 9-9](#). RPD_G1 and RPD_G2 configure C_CC1 and C_CC2 respectively. A resistance R_RPD is connected to the gate of the pulldown FET on each C_CCn pin. This resistance must be pin-strapped externally in order to configure the C_CCn pin to behave in one of two ways: present an R_d pulldown resistance or present a Hi-Z when the TPS65983B is unpowered. During normal operation, RD will be RD_CC; however, while dead-battery or no-battery conditions exist, the resistance is untrimmed and will be RD_DB. When RD_DB is presented during dead-battery or no-battery, application code will switch to RD_CC.

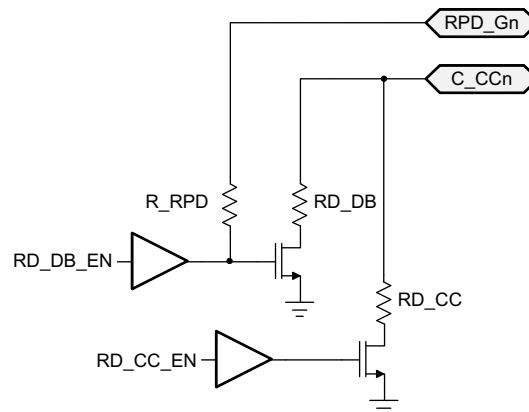


Figure 9-10. C_CCn and RPD_Gn pins

When C_CC1 is shorted to RPD_G1 and C_CC2 is shorted to RPD_G2 in an application of the TPS65983B, booting from dead-battery or no-battery conditions will be supported. In this case, the gate driver for the pulldown FET is Hi-Z at its output. When an external connection pulls up on C_CCn (the case when connected to a DFP advertising with a pullup resistance R_p or pullup current), the connection through R_RPD will pull up on the FET gate turning on the pulldown through RD_DB. In this condition, the C_CCn pin will act as a clamp V_{TH_DB} in series with the resistance RD_DB.

When RPD_G1 and RPD_G2 are shorted to GND in an application and not electrically connected to C_C1 and C_CC2, booting from dead-battery or no-battery conditions is not possible. In this case, the TPS65983B will present a Hi-Z on the C_CC1 and C_CC2 pins and a USB Type-C source will never provide a voltage on VBUS.

9.3.3 Port Power Switches

[Figure 9-11](#) shows the TPS65983B port power path including all internal and external paths. The port power path provides to VBUS from PP_5V0, provides power to or from VBUS from or to PP_HV, provides power to or from an external port power node (shown and referred to as PP_EXT) from or to VBUS, and provides power from PP_CABLE to C_CC1 or C_CC2. The PP_CABLE to C_CCn switches shown in [Figure 9-11](#) are the same as in [Figure 9-1](#), but are now shown without the analog USB Type-C cable plug and orientation detection circuitry.

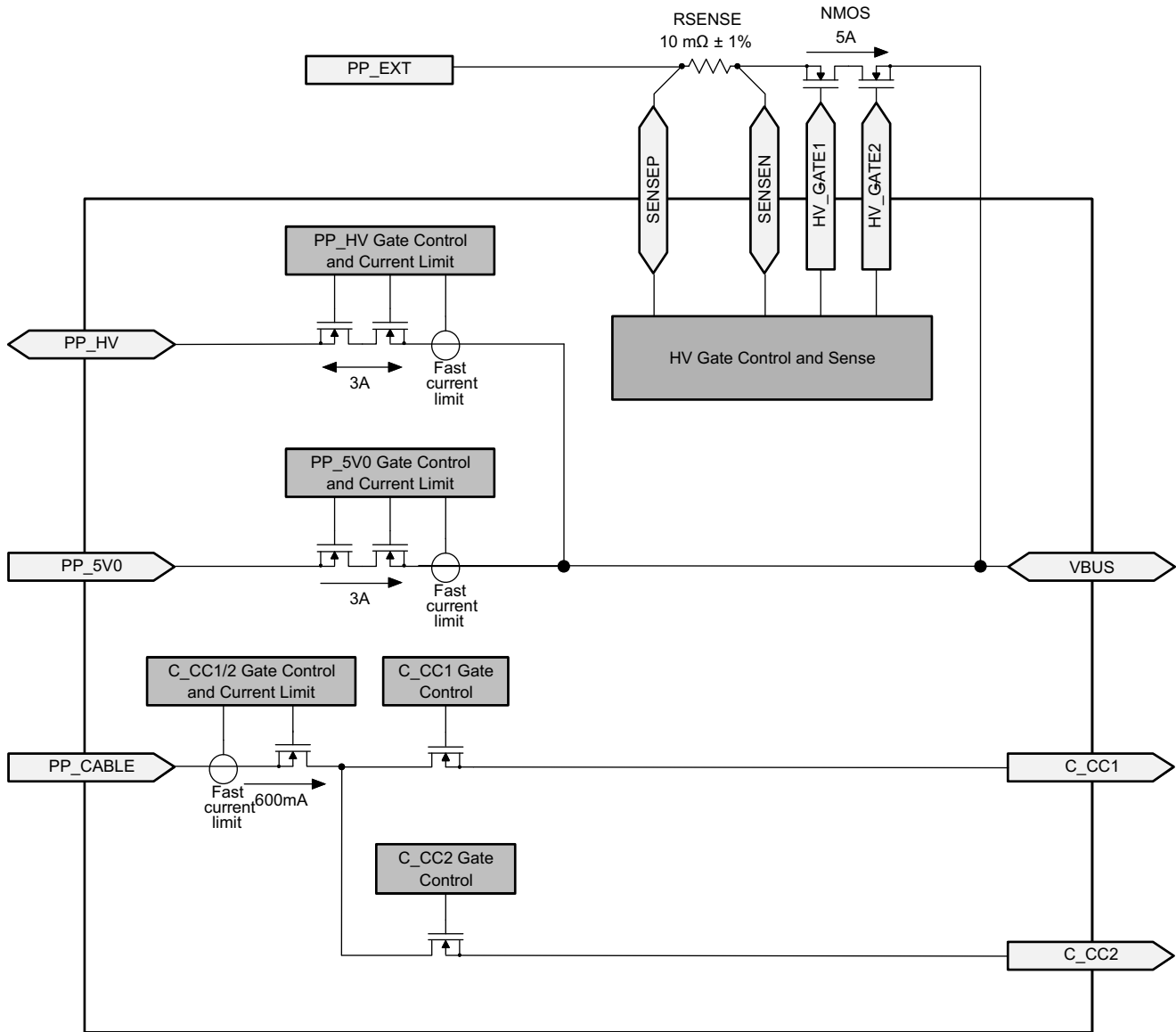


图 9-11. Port Power Paths

9.3.3.1 5V Power Delivery

The TPS65983B provides port power to VBUS from PP_5V0 when a low voltage output is needed. The switch path provides 5 V at up to 3 A to from PP_5V0 to VBUS. 图 9-11 shows a simplified circuit for the switch from PP_5V0 to VBUS.

9.3.3.2 5V Power Switch as a Source

The PP_5V0 path is unidirectional, sourcing power from PP_5V0 to VBUS only. When the switch is on, the protection circuitry limits reverse current from VBUS to PP_5V0. 图 9-12 shows the I-V characteristics of the reverse current protection feature. 图 9-12 and the reverse current limit can be approximated using 方程式 2.

$$I_{REV5V0} = V_{REV5V0}/R_{PP5V} \quad (2)$$

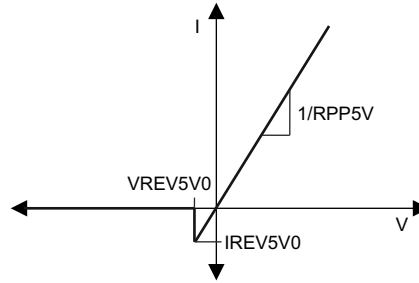


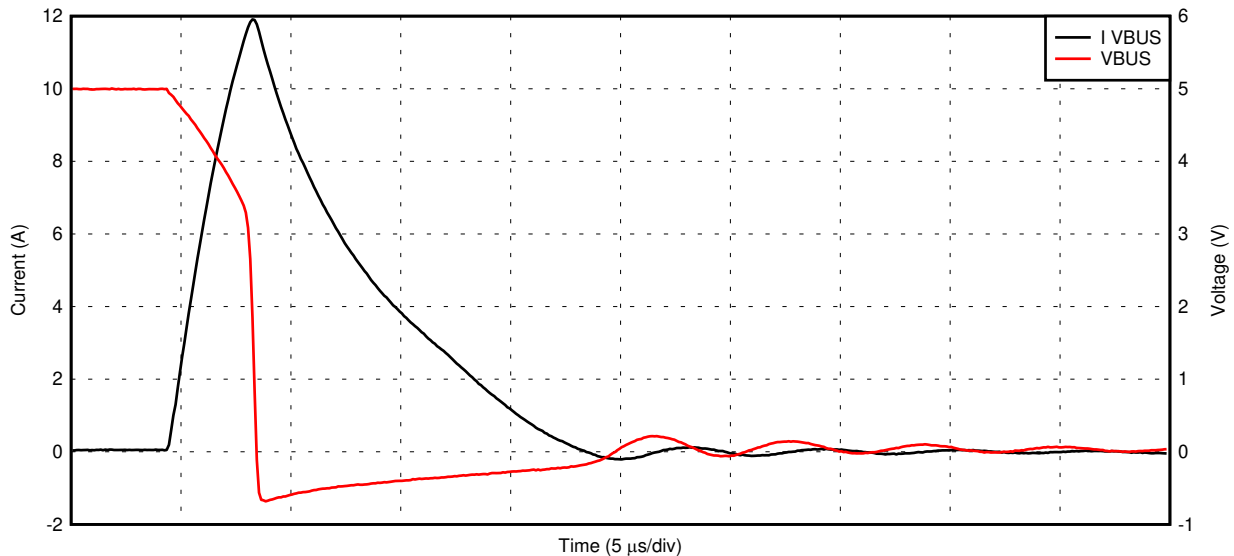
图 9-12. 5-V Switch I-V Curve

9.3.3.3 PP_5V0 Current Sense

The current from PP_5V0 to VBUS is sensed through the switch and is available to be read digitally through the ADC.

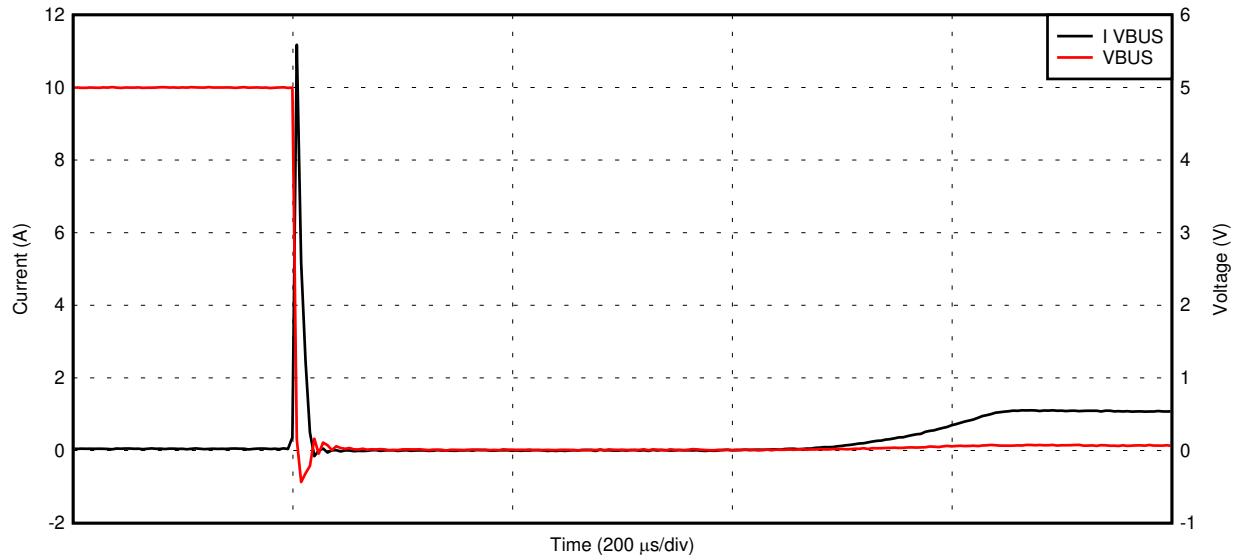
9.3.3.4 PP_5V0 Current Limit

The current through PP_5V0 to VBUS is limited to ILIMPP5V and is controlled automatically by the digital core. When the current exceeds ILIMPP5V, the current-limit circuit activates. Depending on the severity of the over-current condition, the transient response will react in one of two ways: 图 9-13 and 图 9-14 show the approximate response time and clamping characteristics of the circuit for a hard short while 图 9-15 shows the approximate response time and clamping characteristics for a soft short with a load of 2 Ω.



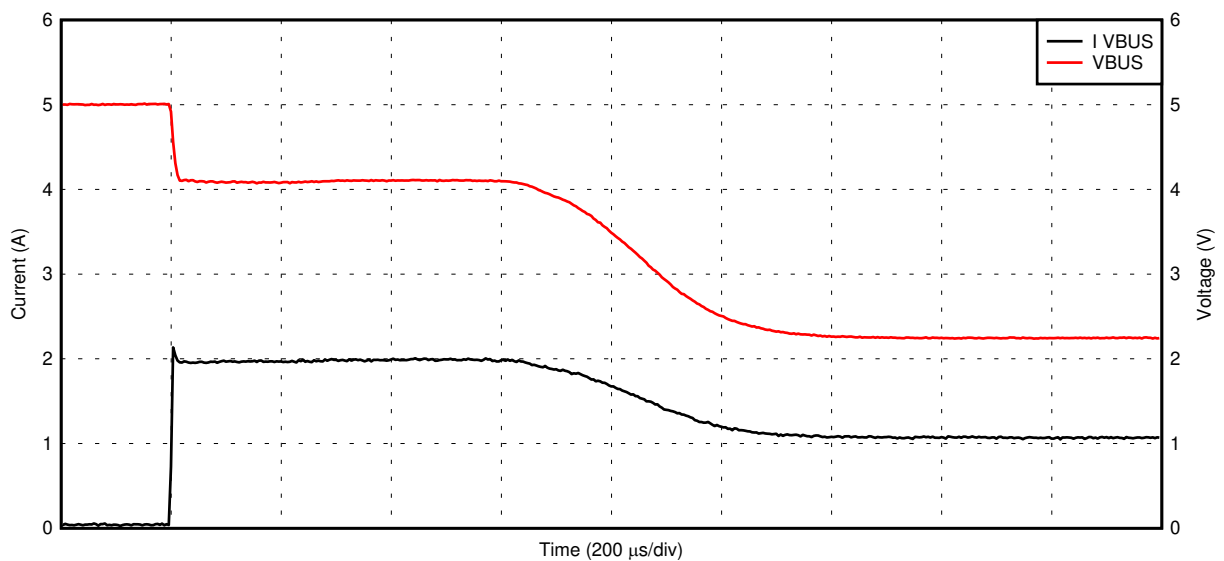
D004

图 9-13. PP_5V0 Current Limit With a Hard Short



D005

图 9-14. PP_5V0 Current Limit With a Hard Short (Extended Time Base)



D006

图 9-15. PP_5V0 Current Limit With a Soft Short (2 Ω)

9.3.3.5 Internal HV Power Delivery

The TPS65983B has an integrated, bi-directional high-voltage switch that is rated for up to 3 Amps of current. The TPS65983B is capable of sourcing or sinking high-voltage power through an internal switch path designed to support USB-PD power up to 20 V at 3 A of current. VBUS and PP_HV are both rated for up to 22 V as determined by [Recommended Operating Conditions](#), and operate down to 0 V as determined by [Absolute Maximum Ratings](#). In addition, VBUS is tolerant to voltages up to 22 V even when PP_HV is at 0 V. Similarly, PP_HV is tolerant up to 22 V while VBUS is at 0 V. The switch structure is designed to tolerate a constant operating voltage differential at either of these conditions. 图 9-11 shows a simplified circuit for the switch from PP_HV to VBUS.

9.3.3.6 Internal HV Power Switch as a Source

The TPS65983B provides power from PP_HV to VBUS at the USB Type-C port as an output when operating as a source. When the switch is on as a source, the path behaves resistively until the current reaches the amount

calculated by 方程式 3 and then blocks reverse current from VBUS to PP_HV. 图 9-16 shows the diode behavior of the switch as a source.

$$I_{REVHV} = V_{REVHV}/R_{PPHV} \tag{3}$$

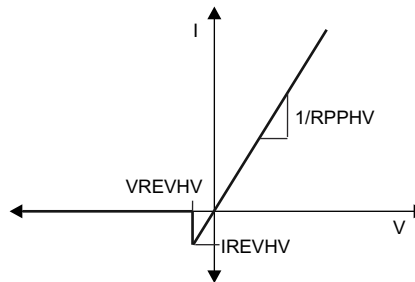


图 9-16. Internal HV Switch I-V Curve as a Source

9.3.3.7 Internal HV Power Switch as a Sink

The TPS65983B can also receive power from VBUS to PP_HV when operating as a sink. When the switch is on as a sink the path behaves as an ideal diode and blocks reverse current from PP_HV to VBUS. 图 9-17 shows the diode behavior of the switch as a sink.

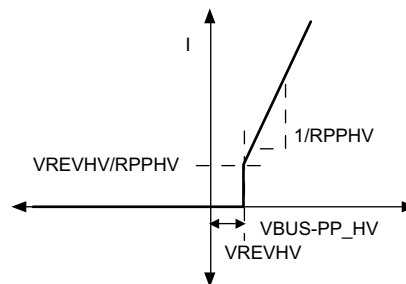


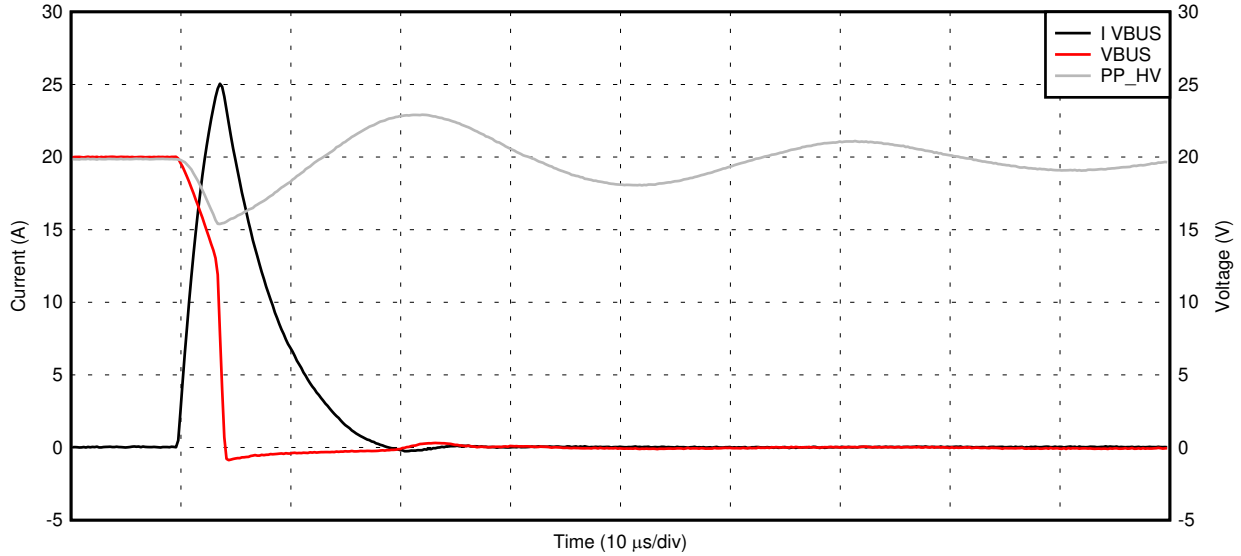
图 9-17. Internal HV Switch I-V Curve as a Sink

9.3.3.8 Internal HV Power Switch Current Sense

The current from PP_HV to VBUS is sensed through the switch and is available to be read digitally through the ADC only when the switch is sourcing power. When sinking power, the readout from the ADC will not reflect the current.

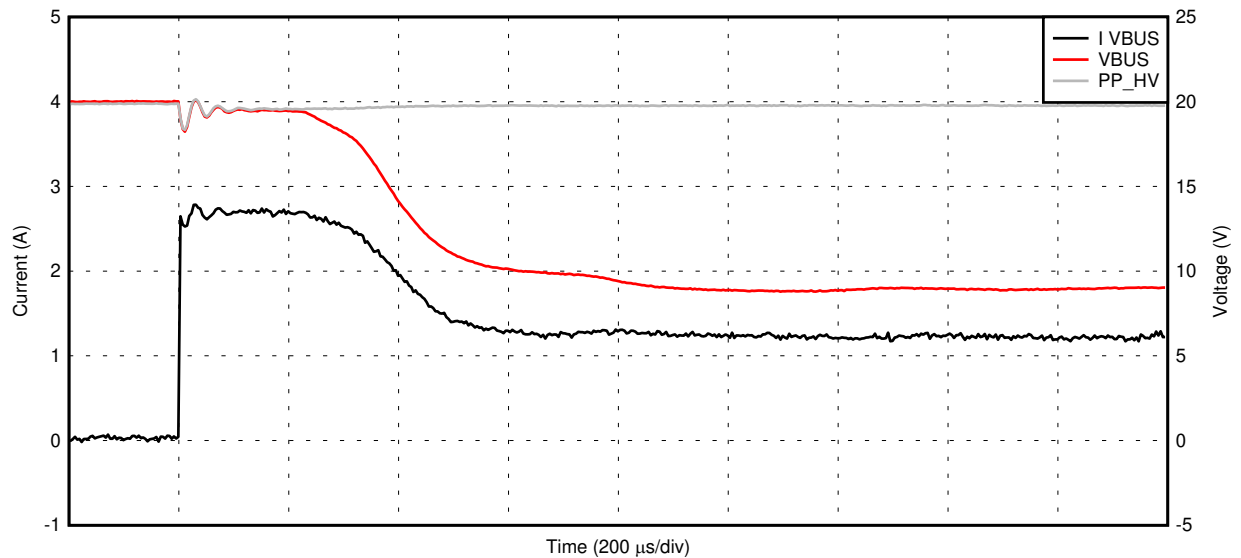
9.3.3.9 Internal HV Power Switch Current Limit

The current through PP_HV to VBUS is current limited to ILIMPPHV (only when operating as a source) and is controlled automatically by the digital core. When the current exceeds ILIMPPHV, the current-limit circuit activates. Depending on the severity of the over-current condition, the transient response will react in one of two ways: 图 9-18 shows the approximate response time and clamping characteristics of the circuit for a hard short while 图 9-19 shows the approximate response time and clamping characteristics for a soft short of 7 Ω.



D007

图 9-18. PP_HV Current Limit Response With a Hard Short



D008

图 9-19. PP_HV Current Limit Response With a Soft Short (7 Ω)

9.3.3.10 External HV Power Delivery

The TPS65983B is capable of controlling an external high-voltage, common-drain back-to-back NMOS FET switch path to source or sink power up to the maximum limit of the USB PD specification: 20 V at 5 A of current. The TPS65983B provides external control and sense to external NMOS power switches for currents greater than 3 A. This path is bi-directional for either sourcing current to VBUS or sinking current from VBUS. The external NMOS switches are back-to-back to protect the system from large voltage differential across the FETs as well as blocking reverse current flow. Each NFET has a separate gate control. HV_GATE2 is always connected to the VBUS side and HV_GATE1 is always connected to the opposite side, referred to as PP_EXT. Two sense pins, SENSEP and SENSEN, are used to implement reverse current blocking, over-current protection, and current sensing. The external path may be used in conjunction with the internal path. For example, the internal path may be used to source current from PP_HV to VBUS when the TPS65983B is acting as a power source and the external path may be used to sink current from VBUS to PP_EXT in order to charge a battery when the TPS65983B is acting as a sink. The internal and external paths must never be used in parallel to source current

at the same time or sink current at the same time. The current limiting function will not function properly in this case and may become unstable.

9.3.3.11 External HV Power Switch as a Source with RSENSE

图 9-11 shows the configuration when the TPS65983B is acting as a source for the external switch path. The external FETs must be connected in a common-drain configuration and will not work in a common source configuration. In this mode, current is sourced to VBUS. RSENSE provides an accurate current measurement and is used to initiate the current limiting feature of the external power path. The voltage between SENSEP (PP_EXT) and SENSEN (VBUS) is sensed to block reverse current flow. This measurement is also digitally readable via the ADC.

9.3.3.12 External HV Power Switch as a Sink with RSENSE

图 9-20 shows the configuration when the TPS65983B is acting as a sink for the external switch path with RSENSE used to sense current. Acting as a sink, the voltage between SENSEP (VBUS) and SENSEN (PP_EXT) is sensed to provide an accurate current measurement and initiate the current limiting feature of the external power path. This measurement is also digitally readable through the ADC.

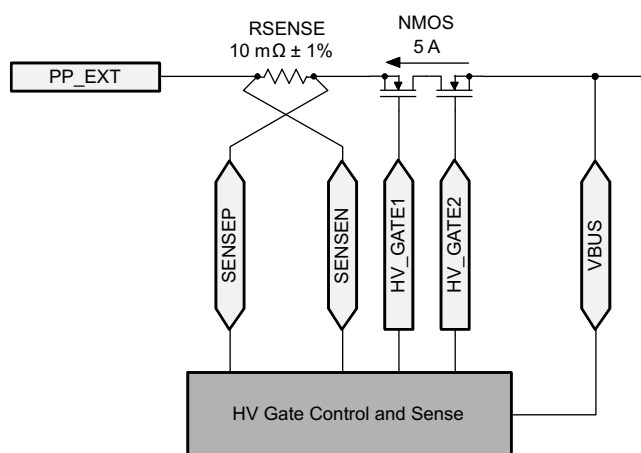


图 9-20. External HV Switch as a Sink with RSENSE

9.3.3.13 External HV Power Switch as a Sink without RSENSE

图 9-21 shows the configuration when the TPS65983B is acting as a sink for the external switch path without an RSENSE resistor. In this mode, current is sunk from VBUS to an internal system power node, referred to as PP_EXT. This is used for charging a battery or for providing a supply voltage for a bus-powered device. To block reverse current, the VBUS and SENSEP pins monitor the voltage across the NFETs. To ensure that SENSEN does not float, tie SENSEP to SENSEN in this configuration. When configured in this mode, the digital readout from current from the ADC will be approximately zero.

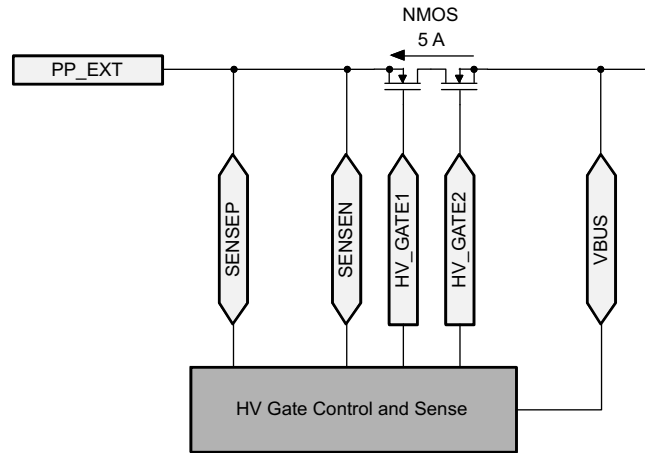


图 9-21. External HV Switch as a Sink without RSENSE

9.3.3.14 External Current Sense

The current through the external NFETs to VBUS is sensed through the RSENSE resistor and is available to be read digitally through the ADC. When acting as a source, the readout from the ADC will only accurately reflect the current through the external NFETs when the connection of SENSEP and SENSEN adheres to 图 9-11. When acting as a sink, the readout from the ADC will only accurately reflect the current through the external NFETs when the connection of SENSEP and SENSEN adheres to 图 9-20.

9.3.3.15 External Current Limit

The current through the external NFETs to VBUS is current limited when acting as a source or a sink. The current is sensed across the external RSENSE resistance. The current limit is set by a combination of the RSENSE magnitude and configuration settings for the voltage across the resistance. When the voltage across the RSENSE resistance exceeds the automatically set voltage limit, the current-limit circuit is activated.

9.3.3.16 Soft Start

When configured as a sink, the SS pin provides a soft start function for each of the high-voltage power path supplies (P_HV and external PP_EXT path) up to 5.5 V. The SS circuitry is shared for each path and only one path will turn on as a sink at a time. The soft start is enabled by application code or via the host processor. The SS pin is initially discharged through a resistance RSS_DIS. When the switch is turned on, a current ISS is sourced from the pin to a capacitance CSS. This current into the capacitance generates a slow ramping voltage. This voltage is sensed and the power path FETs turn on and the voltage follows this ramp. When the voltage reaches the threshold VTHSS, the power path FET will be near being fully turned on, the output voltage will be fully charged. At time TSSDONE, a signal to the digital core indicates that the soft start function has completed. The ramp rate of the supply is given by 方程式 4:

$$\text{Ramp Rate} = 17 \times \frac{\text{ISS}}{\text{CSS}} \quad (4)$$

9.3.3.17 BUSPOWERZ

At power-up, when VIN_3V3 is not present and a dead-battery condition is supported as described in [Dead-Battery or No-Battery Support](#), the TPS65983B will appear as a USB Type-C sink (device) causing a connected USB Type-C source (host) to provide 5 V on VBUS. The TPS65983B will power itself from the 5-V VBUS rail (see [Power Management](#)) and execute boot code (see [Boot Code](#)). The boot code will observe the BUSPOWERZ voltage, which will fall into one of three voltage ranges: VBPZ_DIS, VBPZ_HV, and VBPZ_EXT (defined in [BUSPOWERZ Configuration Requirements](#)). These three voltage ranges configure how the TPS65983B routes the 5 V present on VBUS to the system in a dead-battery or no-battery scenario.

When the voltage on BUSPOWERZ is in the VBPZ_DIS range (when BUSPOWERZ is tied to LDO_3V3 as in 图 9-22), this indicates that the TPS65983B will not route the 5 V present on VBUS to the entire system. In this

case, the TPS65983B will load SPI-connected flash memory and execute this application code. This configuration will disable both the PP_HV and PP_EXT high voltage switches and only use VBUS to power the TPS65983B.

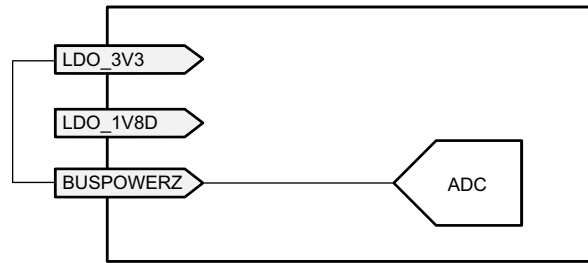


图 9-22. BUSPOWERZ Configured to Disable Power from VBUS

The BUSPOWERZ pin can alternately configure the TPS65983B to power the entire system through the PP_HV internal load switch when the voltage on BUSPOWERZ is in the VBPZ_HV range (when BUSPOWERZ is tied to LDO_1V8D as in 图 9-23).

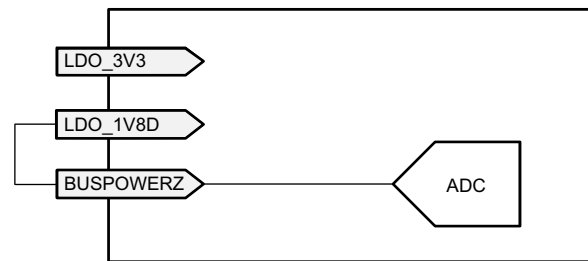


图 9-23. BUSPOWERZ Configured with PP_HV as Input Power Path

The BUSPOWERZ pin can also alternately configure the TPS65983B to power the entire system through the PP_EXT external load switch when the voltage on BUSPOWERZ is in the VBPZ_EXT range (when BUSPOWERZ is tied to GND as in 图 9-24).

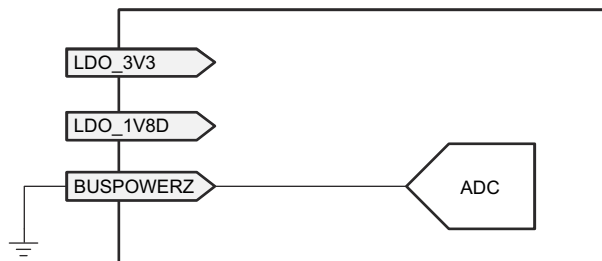


图 9-24. BUSPOWERZ Configured with PP_EXT as Input Power Path

9.3.3.18 Voltage Transitions on VBUS through Port Power Switches

图 9-25 shows the waveform for a positive voltage transition. The timing and voltages apply to both a transition from 0 V to PP_5V0 and a transition from PP_5V0 to PP_HV as well as a transition from PP_5V0 to an PP_EXT. A transition from PP_HV to PP_EXT is possible and vice versa, but does not necessarily follow the constraints in 图 9-25. When a switch is closed to transition the voltage, a maximum slew-rate of SRPOS occurs on the transition. The voltage ramp will remain monotonic until the voltage reaches VSRVALID within the final voltage. The voltage may overshoot the new voltage by VSRVALID. After time TSTABLE from the start of the transition, the voltage will fall to within VSRNEW of the new voltage. During the time TSTABLE, the voltage may fall below the new voltage, but will remain within VSRNEW of this voltage.

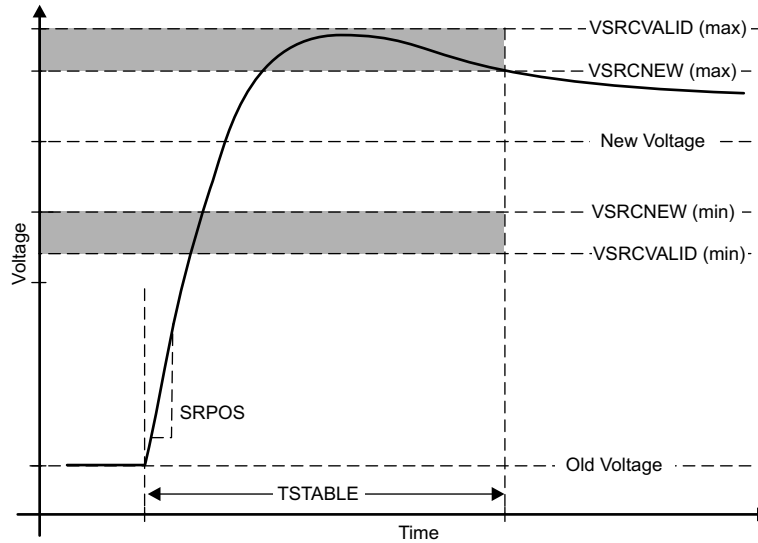


图 9-25. Positive Voltage Transition on VBUS

图 9-26 shows the waveform for a negative voltage transition. The timing and voltages apply to both a transition from PP_HV to PP_5V0 and a transition from PP_5V0 to 0V as well as a transition from PP_EXT to PP_5V0. A transition from PP_HV to PP_EXT is possible and vice versa, but does not necessarily follow the constraints in 图 9-26. When a switch is closed to transition the voltage, a maximum slew-rate of SRNEG occurs on the transition. The voltage ramp will remain monotonic until the voltage reaches TOLTRANUN within the final voltage. The voltage may overshoot the new voltage by TOLTRANLN. After time TSTABLE from the start of the transition, the voltage will fall to within VSRCNEW of the new voltage. During the time TSTABLE, the voltage may fall below the new voltage, but will remain within VSRCNEW of this voltage.

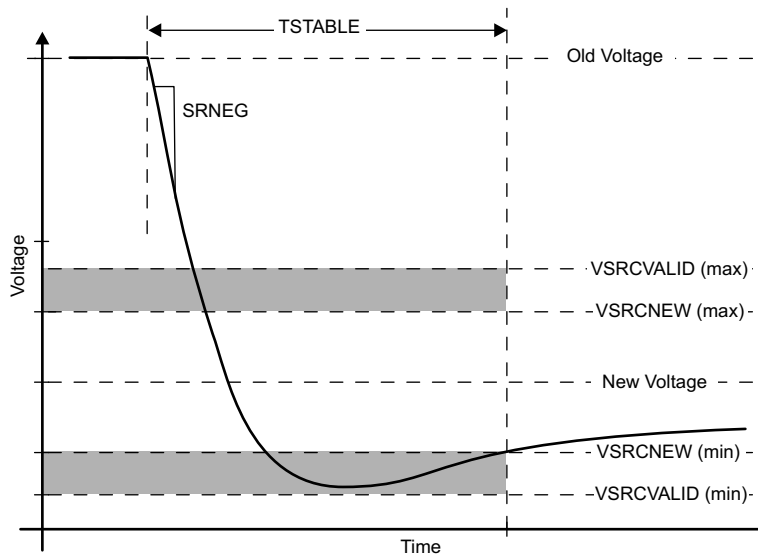


图 9-26. Negative Voltage Transition on VBUS

9.3.3.19 HV Transition to PP_RV0 Pull-Down on VBUS

The TPS65983B has an integrated active pull-down on VBUS when transitioning from PP_HV to PP_5V0, shown in 图 9-27. When the PP_HV switch is disabled and $VBUS > PP_5V0 + VHVDISP$, amplifier turns on a current source and pulls down on VBUS. The amplifier implements active slew rate control by adjusting the pull-down current to prevent the slew rate from exceeding specification. When VBUS falls to within VHVDISP of PP_5V0, the pull-down is turned off. The load on VBUS will then continue to pull VBUS down until the ideal diode switch

structure turns on connecting it to PP_5V0. When switching from PP_HV or PP_EXT to PP_5V0, PP_HV or PP_EXT must be above VSO_HV to follow the switch-over shown in [图 9-26](#).

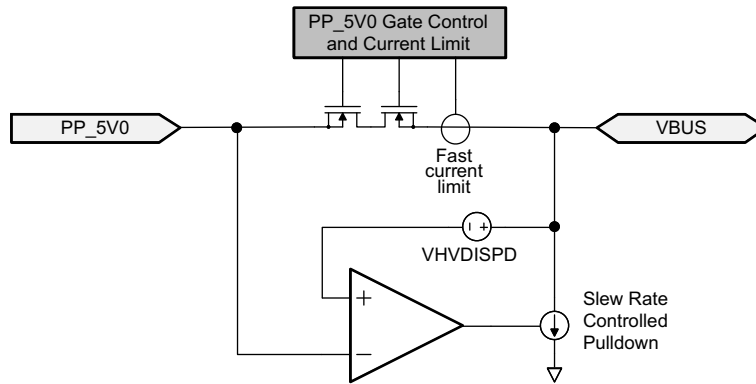


图 9-27. PP_5V0 Slew Rate Control

9.3.3.20 VBUS Transition to VSAFE0V

When VBUS transitions to near 0 V (VSAFE0V), the pulldown circuit in [图 9-27](#) is turned on until VBUS reaches VSAFE0V. This transition will occur within time TSAFE0V.

9.3.3.21 C_CC1 and C_CC2 Power Configuration and Power Delivery

The C_CC1 and C_CC2 pins are used to deliver power to active circuitry inside a connected cable and output USB-PD data to the cable and connected device. [图 9-11](#) shows the C_CC1, and C_CC2 outputs to the port. Only one of these pins will be used to deliver power at a time depending on the cable orientation. The other pin will be used to transmit USB-PD data through the cable to a connected device.

[图 9-28](#) shows a high-level flow of connecting these pins based on the cable orientation. See the [Cable Plug and Orientation Detection](#) section for more detailed information on plug and orientation detection.

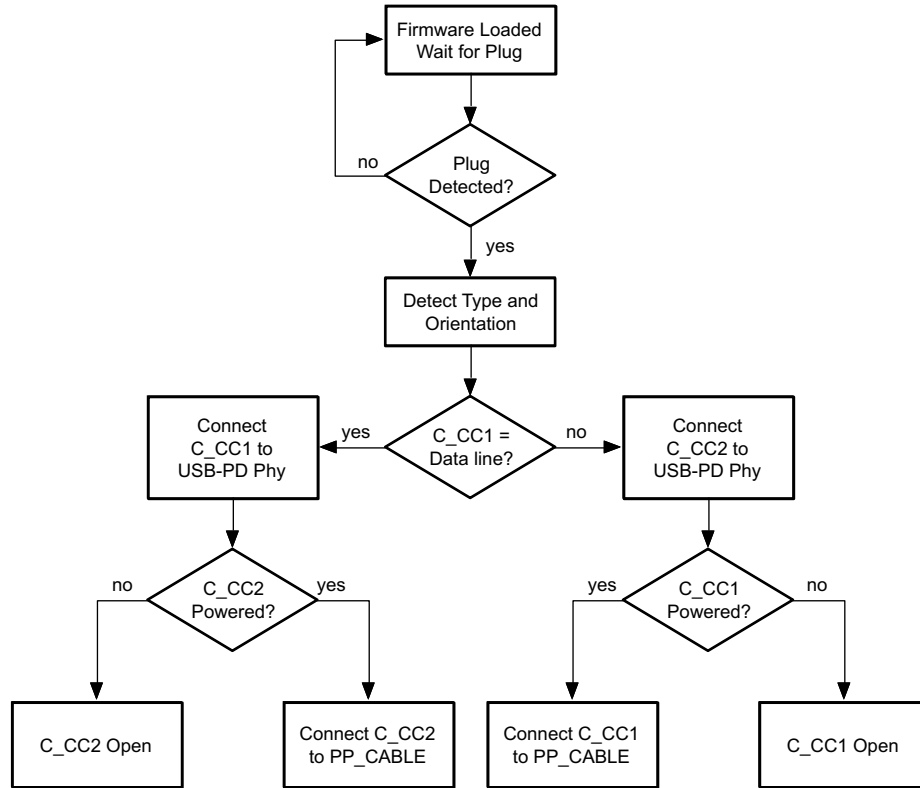


图 9-28. Port C_CC and VCONN Connection Flow

图 9-29 和 图 9-30 显示从 PP_CABLE 到 C_CCn 引脚的两条路径。当一个 C_CCn 引脚由 PP_CABLE 供电时，另一个则连接到 USB-PD BMC 调制解调器。红线显示电源路径，绿线显示数据路径。

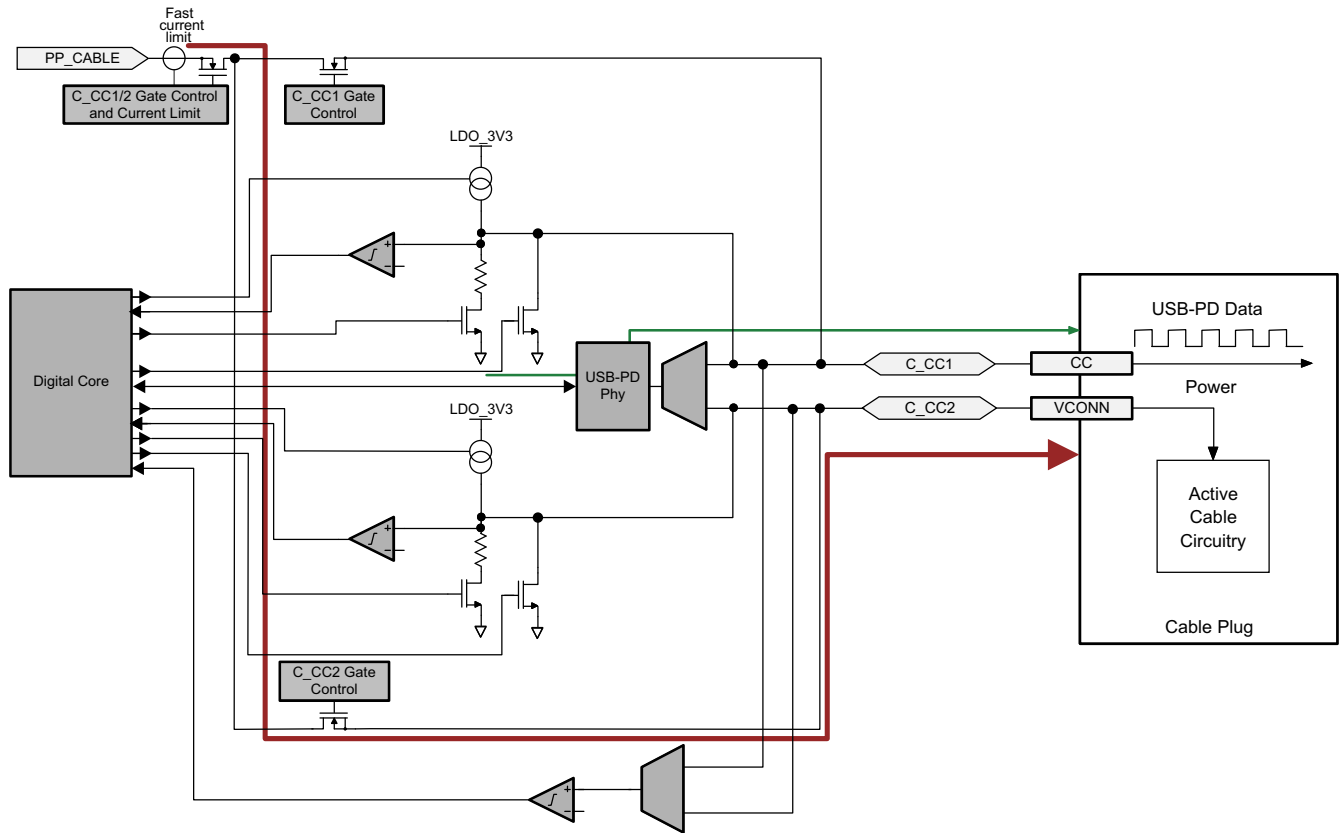


图 9-29. Port C_CC1 and C_CC2 Normal Orientation Power from PP_CABLE

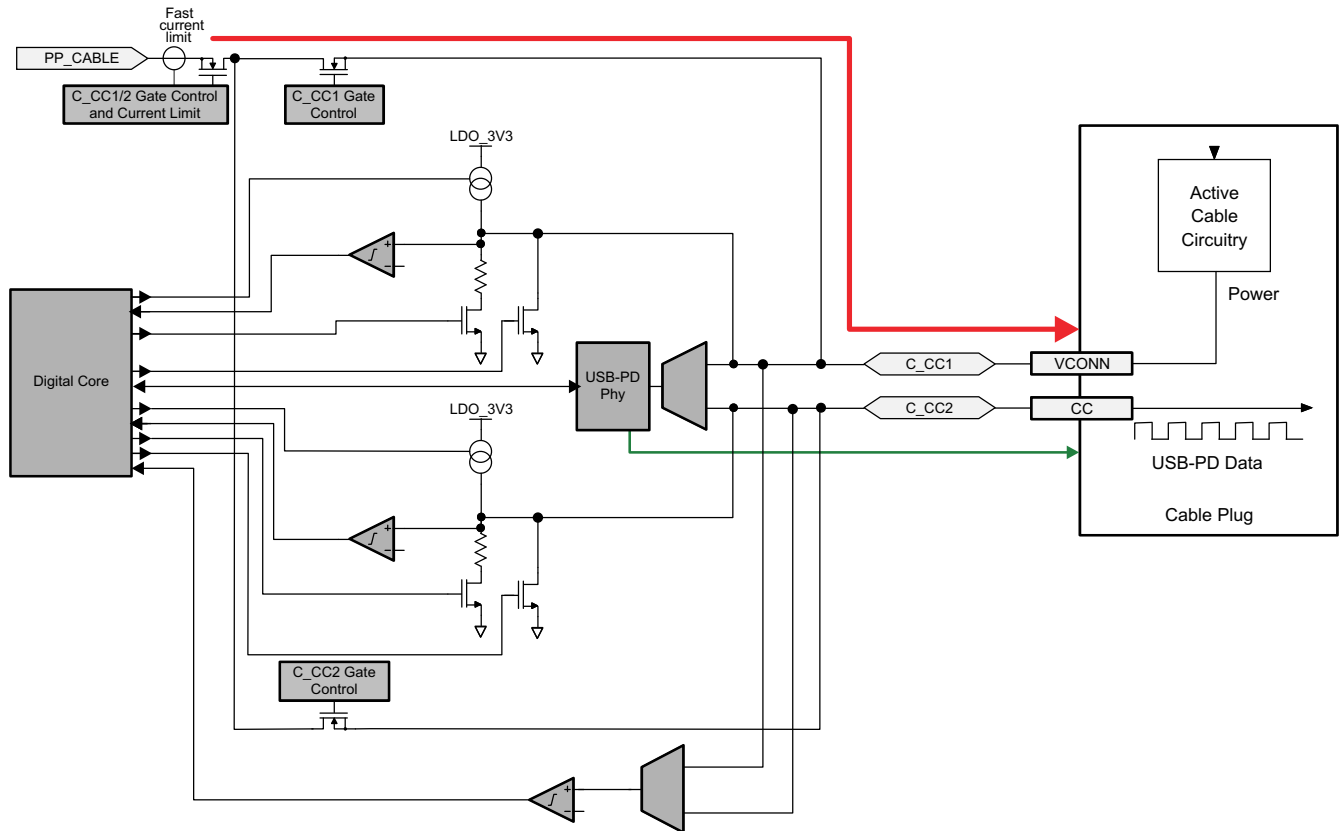


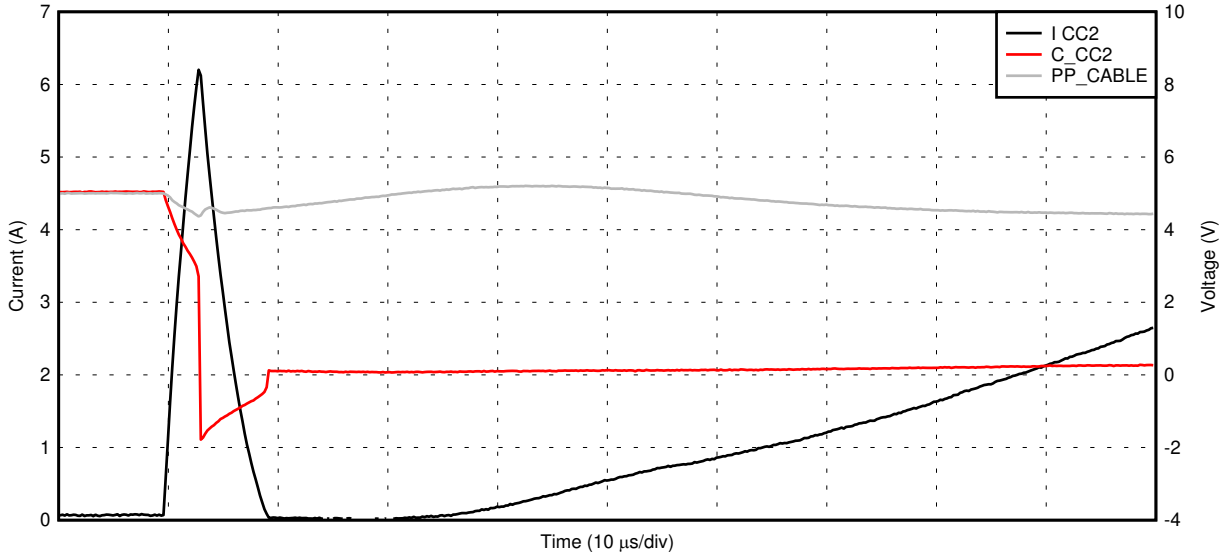
图 9-30. Port C_CC1 and C_CC2 Reverse Orientation Power from PP_CABLE

9.3.3.22 PP_CABLE to C_CC1 and C_CC2 Switch Architecture

图 9-11 shows the switch architecture for the PP_CABLE switch path to the C_CCc pins. Each path provides a unidirectional current from PP_CABLE to C_CC1 and C_CC2. The switch structure blocks reverse current from C_CC1 or C_CC2 to PP_CABLE.

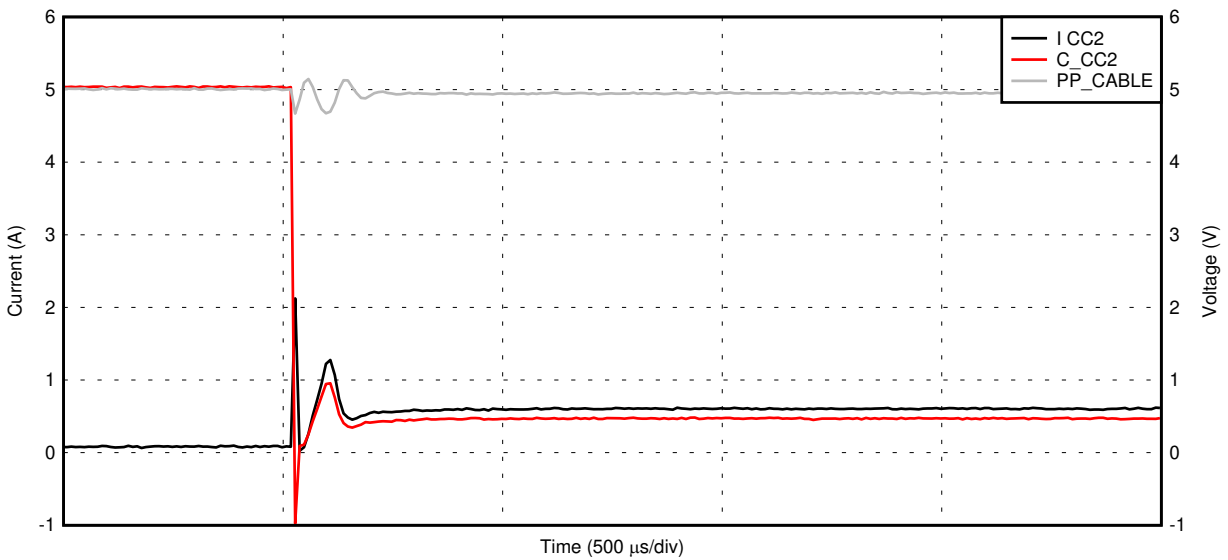
9.3.3.23 PP_CABLE to C_CC1 and C_CC2 Current Limit

The PP_CABLE to C_CC1 and C_CC2 share current limiting through a single FET on the PP_CABLE side of the switch. The current limit $I_{LIMPPCC}$ is adjustable between two levels. When the current exceeds $I_{LIMPPCC}$, the current-limit circuit activates. Depending on the severity of the over-current condition, the transient response will react in one of two ways: 图 9-31 and 图 9-32 show the approximate response time and clamping characteristics of the circuit for a hard short while 图 9-33 shows the approximate response time and clamping characteristics for a soft short. The switch does not have reverse current blocking when the switch is enabled and current is flowing to either C_CC1 or C_CC2.



D009

图 9-31. PP_CABLE to C_CCn Current Limit With a Hard Short



D010

图 9-32. PP_CABLE to C_CCn Current Limit With a Hard Short (Extended Time Base)

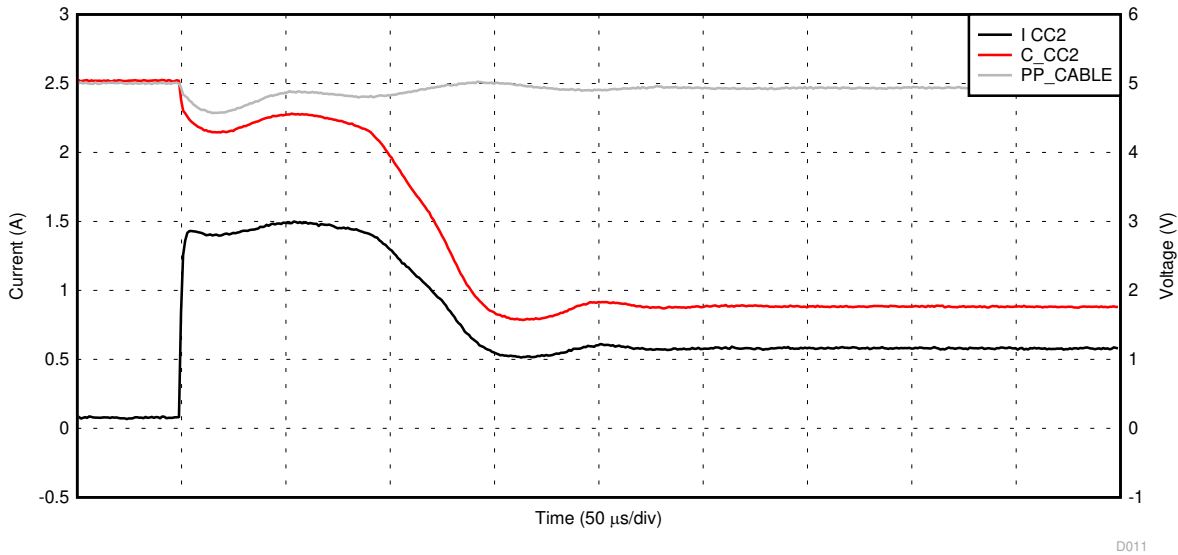


图 9-33. PP_CABLE to C_CCn Current Limit Response With a Soft Short (2 Ω)

9.3.4 USB Type-C Port Data Multiplexer

The USB Type-C receptacle pin configuration is shown in 图 9-34. Not all signals shown are required for all platforms or devices. The basic functionality of the pins deliver USB 2.0 (D+ and D-) and USB 3.1 (TX and RX pairs) data buses, USB power (VBUS) and ground (GND). Configuration Channel signals (CC1 and CC2), and two Reserved for Future Use (SBU) signal pins. The data bus pins (Top and Bottom D+/D- and the SBU pins) are available to be used in non-USB applications as an Alternate Mode (such as, DisplayPort, Thunderbolt™, and others).

图 9-34. USB Type-C Receptacle Pin Configuration

A1	A2	A3	A4	A5	A6	A7	A8	A9	A11	A11	A12
GND	TX1+	TX1-	VBUS	CC1	D+	D-	SBU1	VBUS	RX2-	RX2+	GND
B12	B11	B10	B9	B8	B7	B6	B5	B4	B3	B2	B1
GND	RX1+	RX1-	VBUS	SBU2	D-	D+	CC2	VBUS	TX2-	TX2+	GND

表 9-2 shows the TPS65983B USB Type-C interface multiplexers. The outputs are determined based on detected cable orientation as well as the identified interface that is connected to the port. There are two USB output ports that may or may not be passing USB data. When an Alternate Mode is connected, these same ports may also pass that data (for example, DisplayPort, Thunderbolt). 表 9-2 shows the TPS65983B pin-to-receptacle mapping. The high-speed RX and TX pairs are not mapped through the TPS65983B as this would place extra resistance and stubs on the high-speed lines and degrade signal performance.

表 9-2. TPS65983B to USB Type-C Receptacle Mapping

DEVICE PIN	Type-C RECEPTACLE PIN
VBUS	VBUS (A4, A9, B4, B9)
C_CC1	CC1 (A5)
C_CC2	CC2 (B5)
C_USB_TP	D+ (A6)
C_USB_TN	D- (A7)
C_USB_BP	D+ (B6)
C_USB_BN	D- (B7)
C_SBU1	SBU1 (A8)

表 9-2. TPS65983B to USB Type-C Receptacle Mapping (continued)

DEVICE PIN	Type-C RECEPTACLE PIN
C_SBU2	SBU2 (B8)

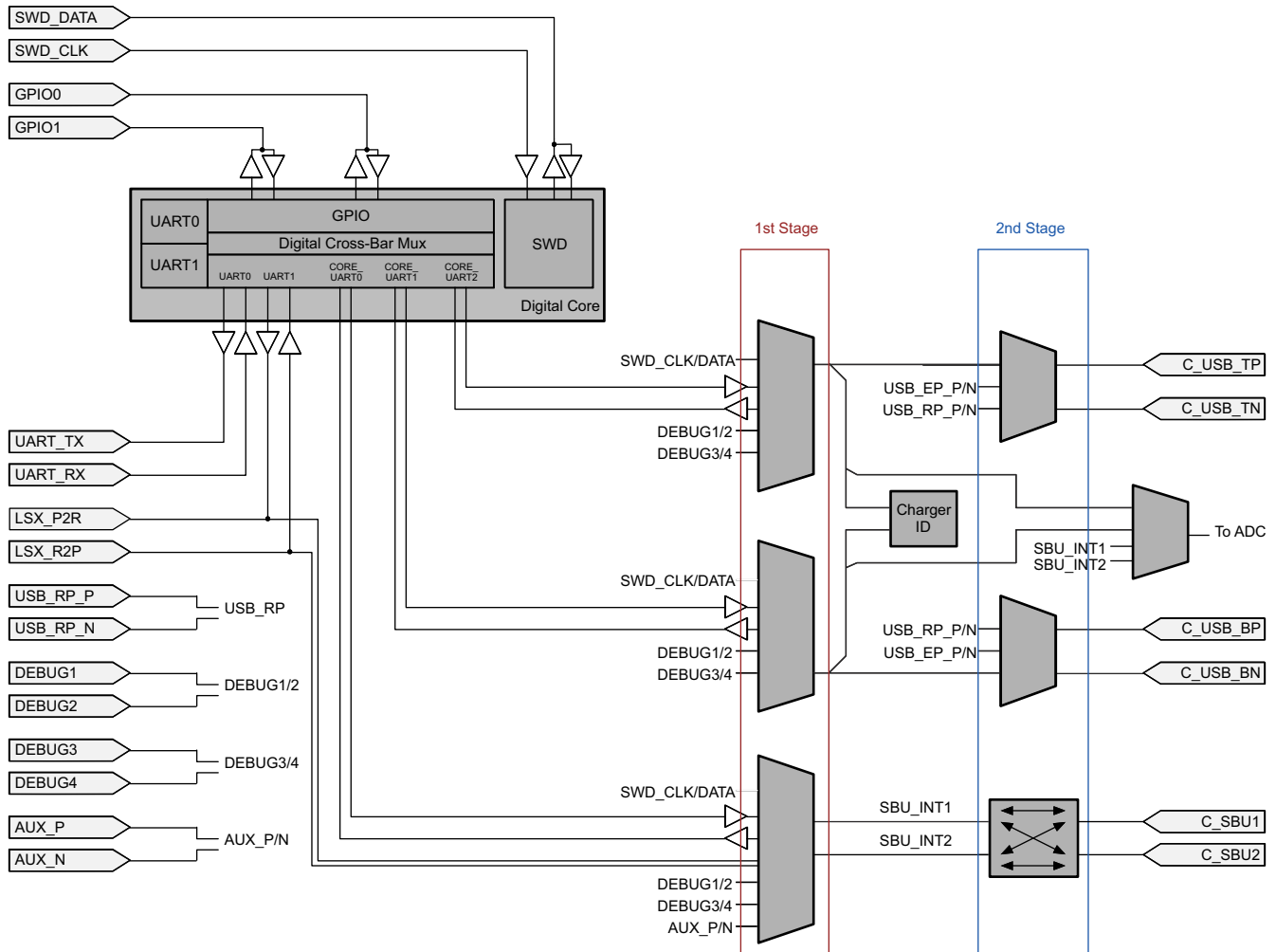


图 9-35. Port Data Multiplexers

表 9-3 shows the typical signal types through the switch path. The UART_RX/TX and LSX_P2R/R2P paths are digitally buffered to allow tri-state control for these paths. All other switches are analog pass switches. The LSX_P2R/R2P pair is also configurable to be analog pass switches as well. These switch paths are not limited to the specified signal type. For the signals that interface with the digital core, the maximum data rate is dictated by the clock rate at which the core is running.

表 9-3. Typical Signals through Analog Switch Path

INPUT PATH	SIGNAL TYPE	SIGNAL FUNCTION
SWD_DATA/CLK	Single Ended	Data, Clock
UART_RX/TX	Single Ended TX/Rx	UART
LSX_P2R/R2P	Single Ended TX/Rx	UART
DEBUG1/2/3/4	Single Ended	Debug
AUX_P/N	Differential	DisplayPort and Thunderbolt AUX channel
USB_EP_P/N	Differential	USB 2.0 Low Speed Endpoint
USB_RP_P/N	Differential	USB 2.0 High Speed Data Root Port

9.3.4.1 USB Top and Bottom Ports

The Top (C_USB_TP and C_USB_TN) and Bottom (C_USB_BP and C_USB_BN) ports that correspond to the Type-C top and bottom USB D+/D- pairs are swapped based on the detected cable orientation. The symmetric pin order shown in [图 9-34](#) from the A-side to the B-side allows the pins to connect to equivalent pins on the opposite side when the cable orientation is reversed.

9.3.4.2 Multiplexer Connection Orientation

[表 9-4](#) shows the multiplexer connection orientation. For the USB D+/D- pair top and bottom port connections, these connections are fixed. For the SBU port connections, the SBU crossbar multiplexer enables flipping of the signal pair and the connections shown are for the upside-up orientation. The CORE_UARTn connections come from a digital crossbar multiplexer that allows the UART_RX/TX, LSX_P2R/R2P, and GPIO1/2 to be mapped to any of the 1st stage multiplexers.

表 9-4. Data Multiplexer Connections

SYSTEM PIN	USB TOP PIN	USB BOTTOM PIN	SBU MULTIPLEXER PIN
USB_RP_P	C_USB_TP	C_USB_BP	
USB_RP_N	C_USB_TN	C_USB_BN	
USB_EP_P	C_USB_TP	C_USB_BP	
USB_EP_N	C_USB_TN	C_USB_BN	
SWD_CLK	C_USB_TP	C_USB_BP	SBU1
SWD_DATA	C_USB_TN	C_USB_BN	SBU2
DEBUG1	C_USB_TP	C_USB_BP	SBU1
DEBUG2	C_USB_TN	C_USB_BN	SBU2
DEBUG3	C_USB_TP	C_USB_BP	SBU1
DEBUG4	C_USB_TN	C_USB_BN	SBU2
AUX_P	C_USB_TP	C_USB_BP	SBU1
AUX_N	C_USB_TN	C_USB_BN	SBU2
LSX_R2P			SBU1
LSX_P2R			SBU2
CORE_UART0_TX	C_USB_TP		
CORE_UART0_RX	C_USB_TN		
CORE_UART1_TX		C_USB_BP	
CORE_UART1_RX		C_USB_BN	
CORE_UART2_TX			SBU1
CORE_UART2_RX			SBU2

9.3.4.3 Digital Crossbar Multiplexer

The TPS65983B UART paths (UART_RX/TX and LSX_P2R/R2P) and GPIO1/2 all have digital inputs that pass through a cross-bar multiplexer inside the digital core. Each of these pins is configurable as an input or output of the cross-bar multiplexer. The digital cross-bar multiplexer then connects to the port-data multiplexers as shown in [图 9-35](#). The connections are configurable via firmware. The default state at power-up is to connect a buffered version of UART_RX to UART_TX providing a bypass through the TPS65983B for daisy chaining during power on reset.

9.3.4.4 SBU Crossbar Multiplexer

The SBU Crossbar Multiplexer provides pins (C_SBU1 and C_SBU2) for future USB functionality as well as Alternate Modes. The multiplexer swaps the output pair orientation based on the cable orientation. For more information on Alternate Modes, refer to the [USB PD Specification](#).

9.3.4.5 Signal Monitoring and Pullup and Pulldown

The TPS65983B has comparators that may be enabled to interrupt the core when a switching event occurs on any of the port inputs. The input parameters for the detection are shown in [Port Data Multiplexer Signal Monitoring Pullup and Pulldown Characteristics](#). These comparators are disconnected by application code when these pins are not digital signals but an analog voltage.

The TPS65983B has pullups and pulldowns between the first and second stage multiplexers of the port switch for each port output: C_SBU1/2, C_USB_TP/N, C_USB_BP/N. The configurable pullup and pulldown resistances between each multiplexer are shown in [图 9-36](#).

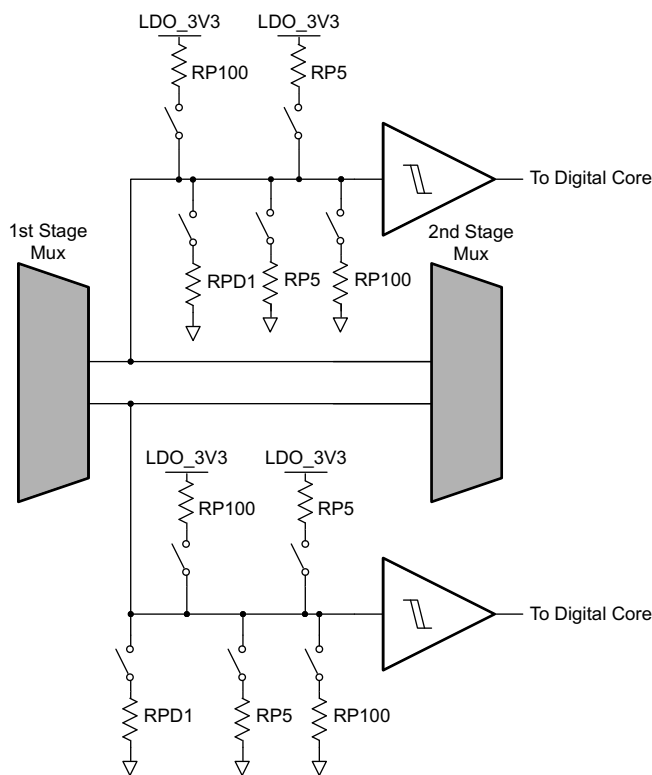


图 9-36. Port Detect and Pullup and Pulldown

9.3.4.6 Port Multiplexer Clamp

Each input to the 2nd stage multiplexer is clamped to prevent voltages on the port from exceeding the safe operating voltage of circuits attached to the system side of the Port Data Multiplexer. [图 9-37](#) shows the simplified clamping circuit. When a path through the 2nd stage multiplexer is closed, the clamp is connected to the one of the port pins (C_USB_TP/N, C_USB_BP/N, C_SBU1/2). When a path through the 2nd stage multiplexer is not closed, then the port pin is not clamped. As the pin voltage rises above the VCLMP_IND voltage, the clamping circuit activates, and sinks current to ground, preventing the voltage from rising further.

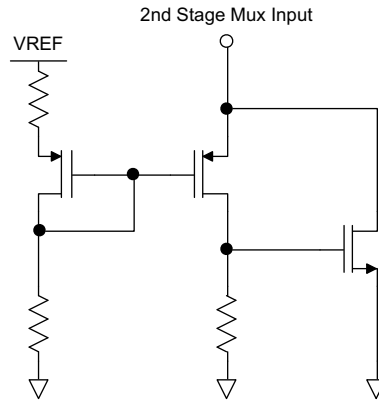


图 9-37. Port Mux Clamp

9.3.4.7 USB2.0 Low-Speed Endpoint

The USB low-speed Endpoint is a USB 2.0 low-speed (1.5 Mbps) interface used to support HID class based accesses. The TPS65983B supports control of endpoint EP0. This endpoint enumerates to a USB 2.0 bus to provide USB-Billboard information to a host system as defined in the USB Type-C standard. EP0 is used for advertising the Billboard Class. When a host is connected to a device that provides Alternate Modes which cannot be supported by the host, the Billboard class allows a means for the host to report back to the user without any silent failures.

图 9-38 shows the USB Endpoint physical layer. The physical layer consists of the analog transceiver, the Serial Interface Engine, and the Endpoint FIFOs and supports low speed operation.

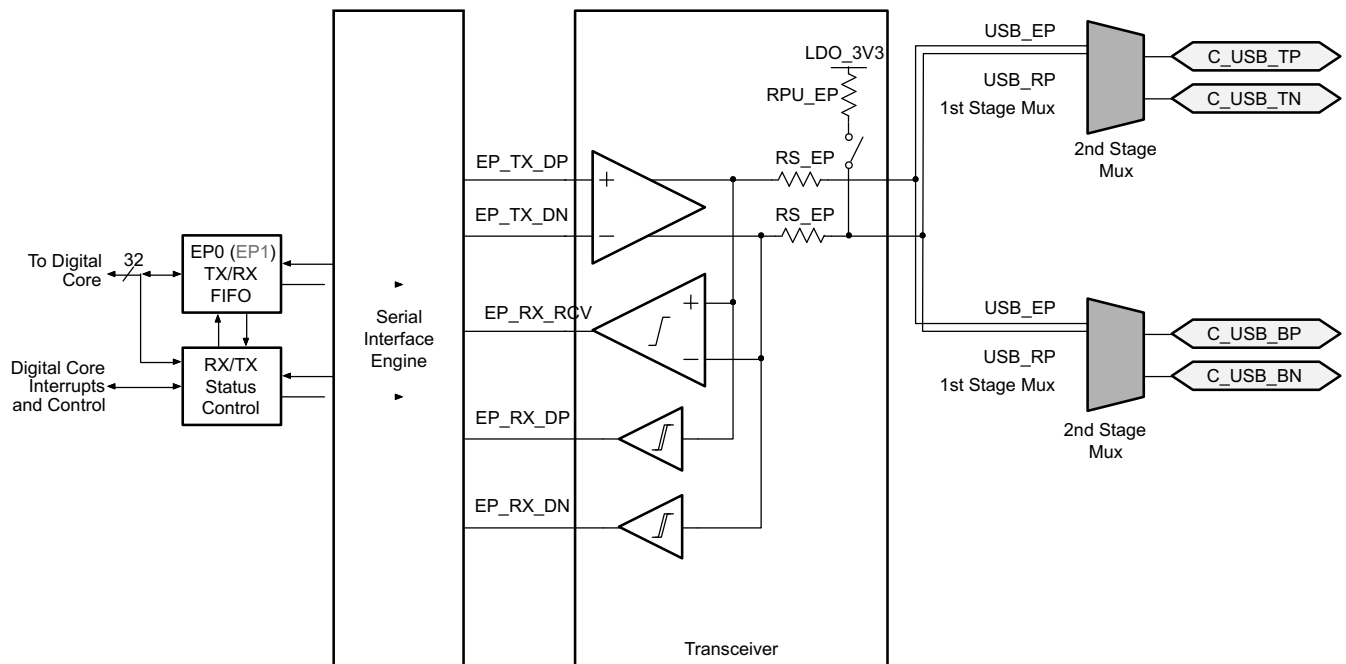


图 9-38. USB Endpoint Phy

The transceiver is made up of a fully differential output driver, a differential to single-ended receive buffer and two single-ended receive buffers on the D+/D - independently. The output driver drives the D+/D - of the selected output of the Port Multiplexer. The signals pass through the 2nd Stage Port Data Multiplexer to the port pins. When driving, the signal is driven through a source resistance RS_EP. RS_EP is shown as a single resistor in USB Endpoint Phy but this resistance also includes the resistance of the 2nd Stage Port Data Multiplexer

defined in Port Data Multiplexer Requirements and Characteristics. RPU_EP is disconnected during transmit mode of the transceiver.

When the endpoint is in receive mode, the resistance RPU_EP is connected to the D - pin of the top or bottom port (C_USB_TN or C_USB_BN) depending on the detected orientation of the cable. The RPU_EP resistance advertises low speed mode only.

9.3.4.8 Battery Charger (BC1.2) Detection Block

The battery charger (BC1.2) detection block integrates circuitry to detect when the connected entity on the USB D+/D - pins is a charger. To enable the required detection mechanisms, the block integrates various voltage sources, currents, and resistances to the Port Data Multiplexers. 图 9-39 shows the connections of these elements to the Port Data Multiplexers.

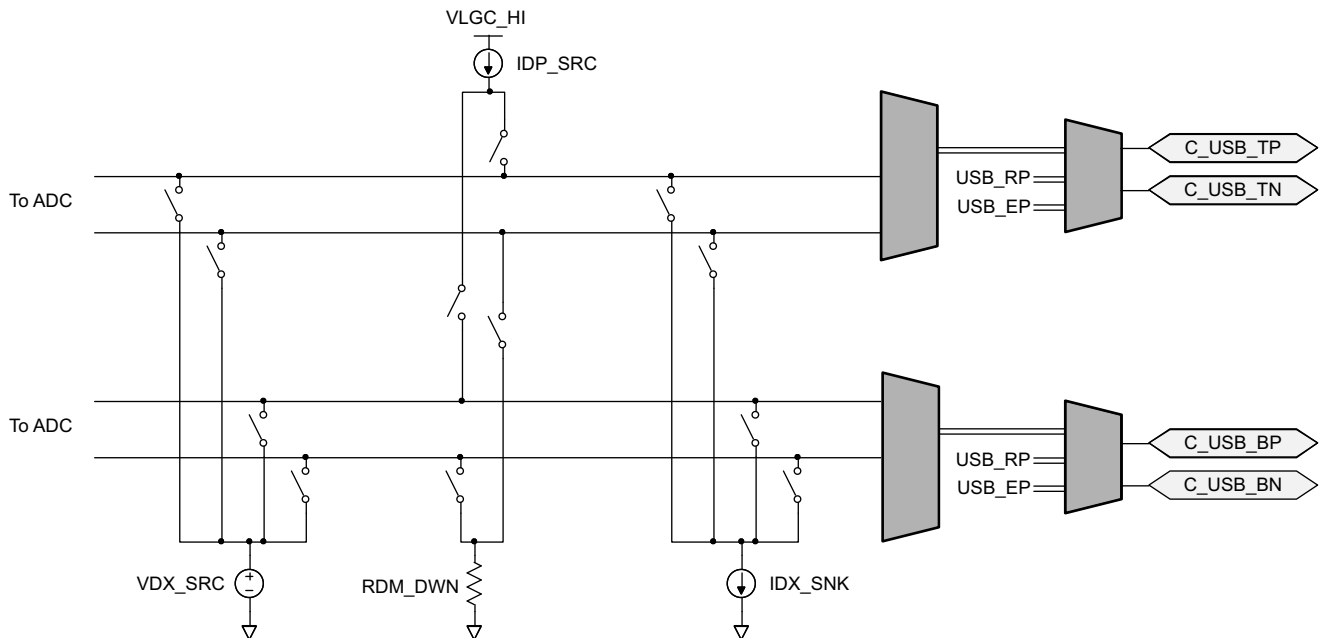


图 9-39. BC1.2 Detection Circuitry

9.3.4.9 BC1.2 Data Contact Detect

Data Contact Detect follows the definition in the USB BC1.2 specification. The detection scheme sources a current IDP_SRC into the D+ pin of the USB connection. The current is sourced into either the C_USB_TP (top) or C_USB_BP (bottom) D+ pin based on the determined cable/device orientation. A resistance RDM_DWN is connected between the D - pin and GND. Again, this resistance is connected to either the C_USB_TN (top) or C_USB_BN (bottom) D - pin based on the determined cable/device orientation. The middle section of 图 9-39, the current source IDP_SRC and the pull-down resistance RDM_DWN, is activated during data contact detection.

9.3.4.10 BC1.2 Primary and Secondary Detection

The Primary and Secondary Detection follow the USB BC1.2 specification. This detection scheme looks for a resistance between D+ and D - lines by forcing a known voltage on the first line, forcing a current sink on the second line and then reading the voltage on the second line using the general purpose ADC integrated in the TPS65983B. To provide complete flexibility, 12 independent switches are connected to allow firmware to force voltage, sink current, and read voltage on any of the C_USB_TP, C_USB_TN, C_USB_BP, and C_USB_BN. The left and right sections of 图 9-39, the voltage source VDX_SRC and the current source IDX_SNK, are activated during primary and secondary detection.

9.3.5 Power Management

The TPS65983B Power Management block receives power and generates voltages to provide power to the TPS65983B internal circuitry. These generated power rails are LDO_3V3, LDO_1V8A, and LDO_1V8D.

LDO_3V3 is also a low power output to load flash memory. VOUT_3V3 is a low power output that does not power internal circuitry that is controlled by application code and can be used to power other ICs in some applications. The power supply path is shown in 图 9-40.

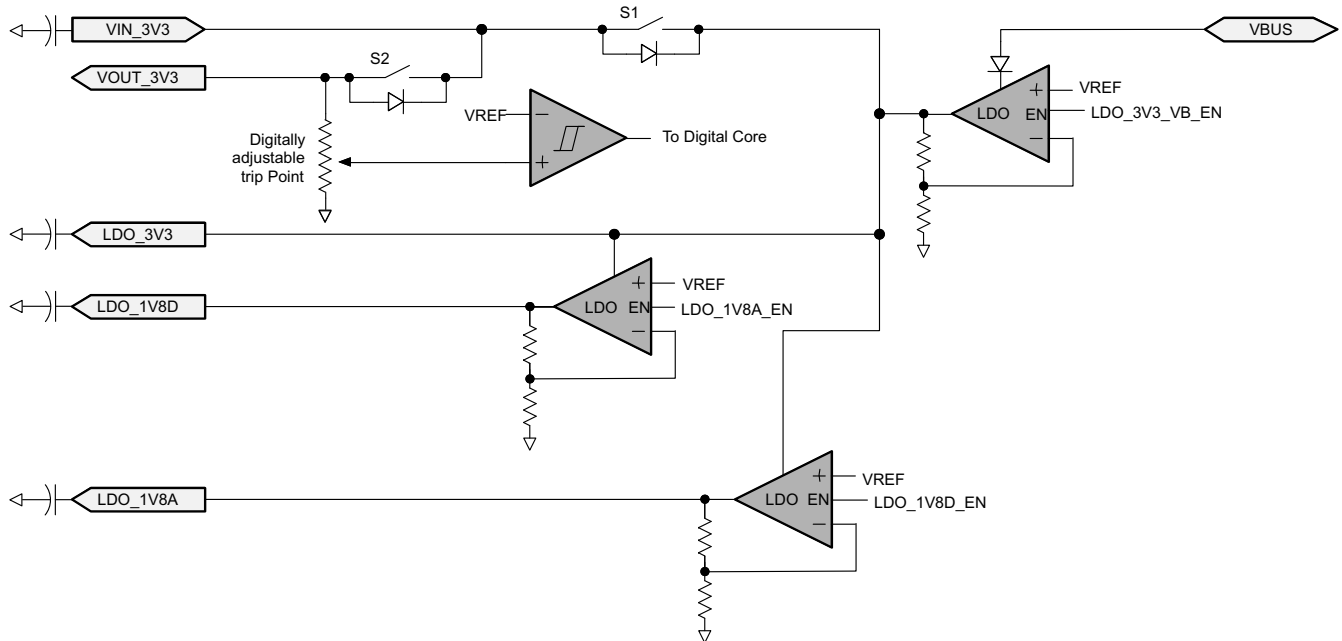


图 9-40. Power Supply Path

The TPS65983B is powered from either VIN_3V3 or VBUS. The normal power supply input is VIN_3V3. In this mode, current flows from VIN_3V3 to LDO_3V3 to power the core 3.3 V circuitry and the 3.3 V I/Os. A second LDO steps the voltage down from LDO_3V3 to LDO_1V8D and LDO_1V8A to power the 1.8 V core digital circuitry and 1.8 V analog circuits. When VIN_3V3 power is unavailable and power is available on the VBUS, the TPS65983B will be powered from VBUS. In this mode, the voltage on VBUS is stepped down through an LDO to LDO_3V3. Switch S1 in 图 9-40 is unidirectional and no current will flow from LDO_3V3 to VIN_3V3 or VOUT_3V3. When VIN_3V3 is unavailable, this is an indicator that there is a dead-battery or no-battery condition.

9.3.5.1 Power-On and Supervisory Functions

A power-on-reset (POR) circuit monitors each supply. This POR allows active circuitry to turn on only when a good supply is present. In addition to the POR and supervisory circuits for the internal supplies, a separate programmable voltage supervisor monitors the VOUT_3V3 voltage.

9.3.5.2 Supply Switch-Over

VIN_3V3 takes precedence over VBUS, meaning that when both supply voltages are present the TPS65983B will power from VIN_3V3. Refer to The 图 9-40 for a diagram showing the power supply path block. There are two cases in which a power supply switch-over will occur. The first is when VBUS is present first and then VIN_3V3 becomes available. In this case, the supply will automatically switch-over to VIN_3V3 and brown-out prevention is verified by design. The other way a supply switch-over will occur is when both supplies are present and VIN_3V3 is removed and falls below 2.85 V. In this case, a hard reset of the TPS65983B occurs prompting a re-boot.

9.3.5.3 RESETZ and MRESET

The VIN_3V3 voltage is connected to the VOUT_3V3 output by a single FET switch (S2 in 图 9-40).

The enabling of the switch is controlled by the core digital circuitry and the conditions are programmable. A supervisor circuit monitors the voltage at VOUT_3V3 for an under-voltage condition and sets the external indicator RESETZ. The RESETZ pin is active low (low when an under-voltage condition occurs). The RESETZ

output is also asserted when the MRESET input is asserted. The MRESET input is active-high by default, but is configurable to be active low. 图 8-1 shows the RESETZ timing with MRESET set to active high. When VOUT_3V3 is disabled, a resistance of RPDOUT_3V3 pulls down on the pin.

9.3.6 Digital Core

图 9-41 shows a simplified block diagram of the digital core. This diagram shows the interface between the digital and analog portions of the TPS65983B.

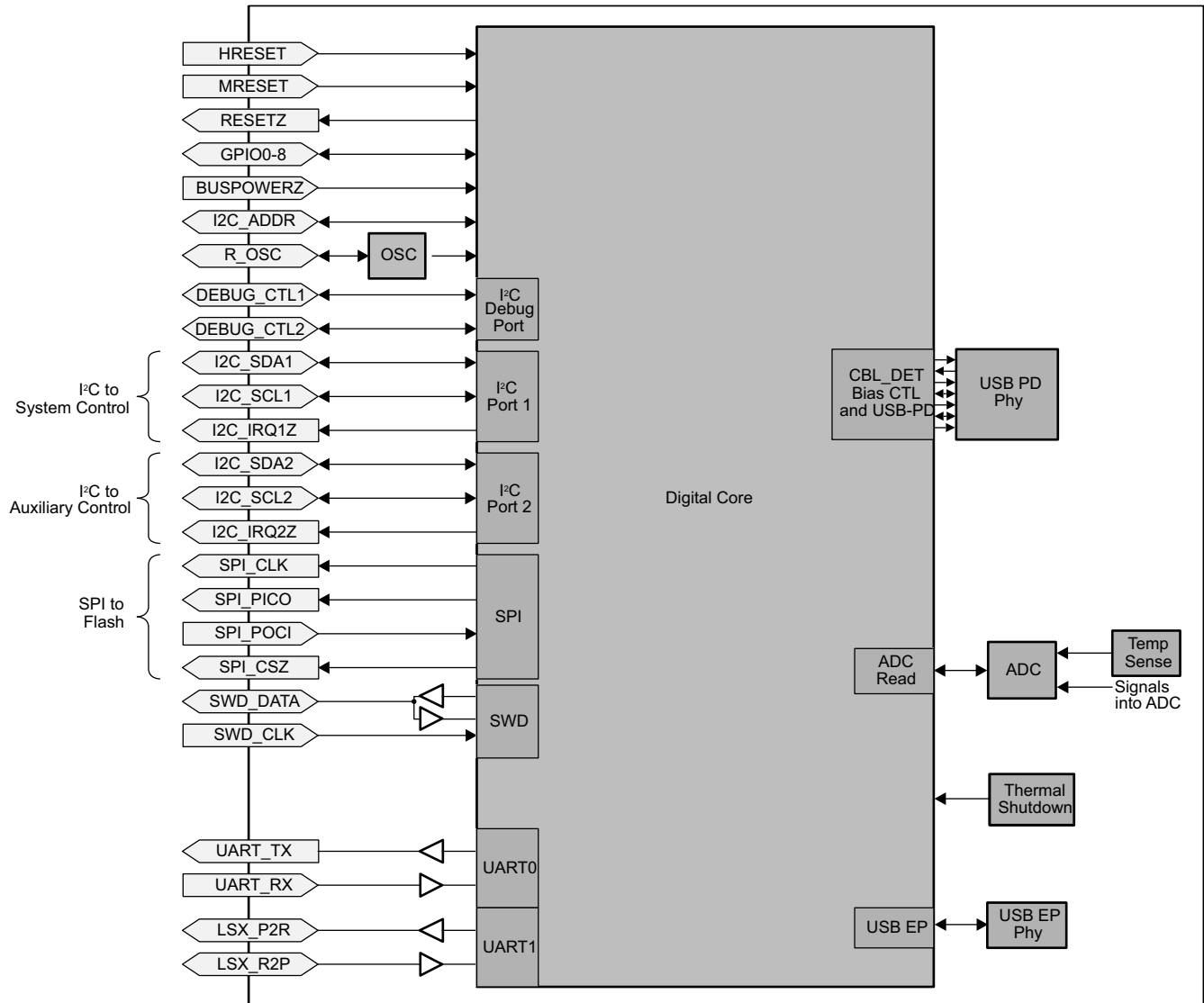


图 9-41. Digital Core Block Diagram

9.3.7 USB-PD BMC Modem Interface

The USB-PD BMC modem interface is a fully USB-PD compliant Type-C interface. The modem contains the BMC encoder, BMC decoder, the TX/Rx FIFOs, and the packet engine for construction and deconstruction of the USB-PD packet. This module contains programmable SOP values and processes all SOP headers. The modem supports PD2.0 and PD3.0 specifications.

9.3.8 System Glue Logic

The system glue logic module performs various system interface functions such as control of the system interface for RESETZ, MRESET, and VOUT_3V3. This module supports various hardware timers for digital control of analog circuits.

9.3.9 Power Reset Congrol Module (PRCM)

The PRCM implements all clock management, reset control, and sleep mode control.

9.3.10 Interrupt Monitor

The Interrupt Control module handles all interrupt from the external GPIO as well as interrupts from internal analog circuits.

9.3.11 ADC Sense

The ADC Sense module is a digital interface to the SAR ADC. The ADC converts various voltages and currents from the analog circuits. The ADC converts up to 11 channels from analog levels to digital signals. The ADC can be programmed to convert a single sampled value.

9.3.12 UART

Two digital UARTS are provided for serial communication. The inputs to the UART are selectable by a programmable digital crossbar multiplexer. The UART may act as pass-through between the system and the Type-C port or may filter through the digital core. The UART_RX/TX pins are typically used to daisy chain multiple TPS65983Bs in series to share application code at startup.

9.3.13 I²C Slave

Two I²C interfaces provide interface to the digital core from the system. These interfaces are master/slave configurable and support low-speed and full-speed signaling. See the [I²C Slave Interface](#) section for more information.

9.3.14 SPI Controller

The SPI controller provides a serial interface to an external flash memory. The recommended memory is the W25Q80DV 8 Mbit Serial Flash Memory. A memory of at least 2 Mbit is required when the TPS65983B is using the memory in an unshared manner. A memory of at least 8 Mbit is required when the TPS65983B is using the memory in a shared manner. See the [SPI Controller Interface](#) section for more information.

9.3.15 Single-Wire Debugger Interface

The SWD interface provides a mechanism to directly master the digital core.

9.3.16 DisplayPort HPD Timers

To enable DisplayPort HPD signaling through PD messaging, two GPIO pins (GPIO4, GPIO5) are used as the HPD input and output. When events occur on this pins during a DisplayPort connection through the Type-C connector (configured in firmware), hardware timers trigger and interrupt the digital core to indicated needed PD messaging. [表 9-5](#) shows each I/O function when GPIO4/5 are configured in HPD mode. When HPD is not enabled via firmware, both GPIO4 and GPIO5 remain generic GPIO and may be programmed for other functions. [图 9-42](#) and [图 9-43](#).

表 9-5. HPD GPIO Configuration

HPD (Binary) Configuration	GPIO4	GPIO5
00	HPD TX	Generic GPIO
01	HPD RX	Generic GPIO
10	HPD TX	HPD RX
11	HPD TX/RX (bidirectional)	Generic GPIO

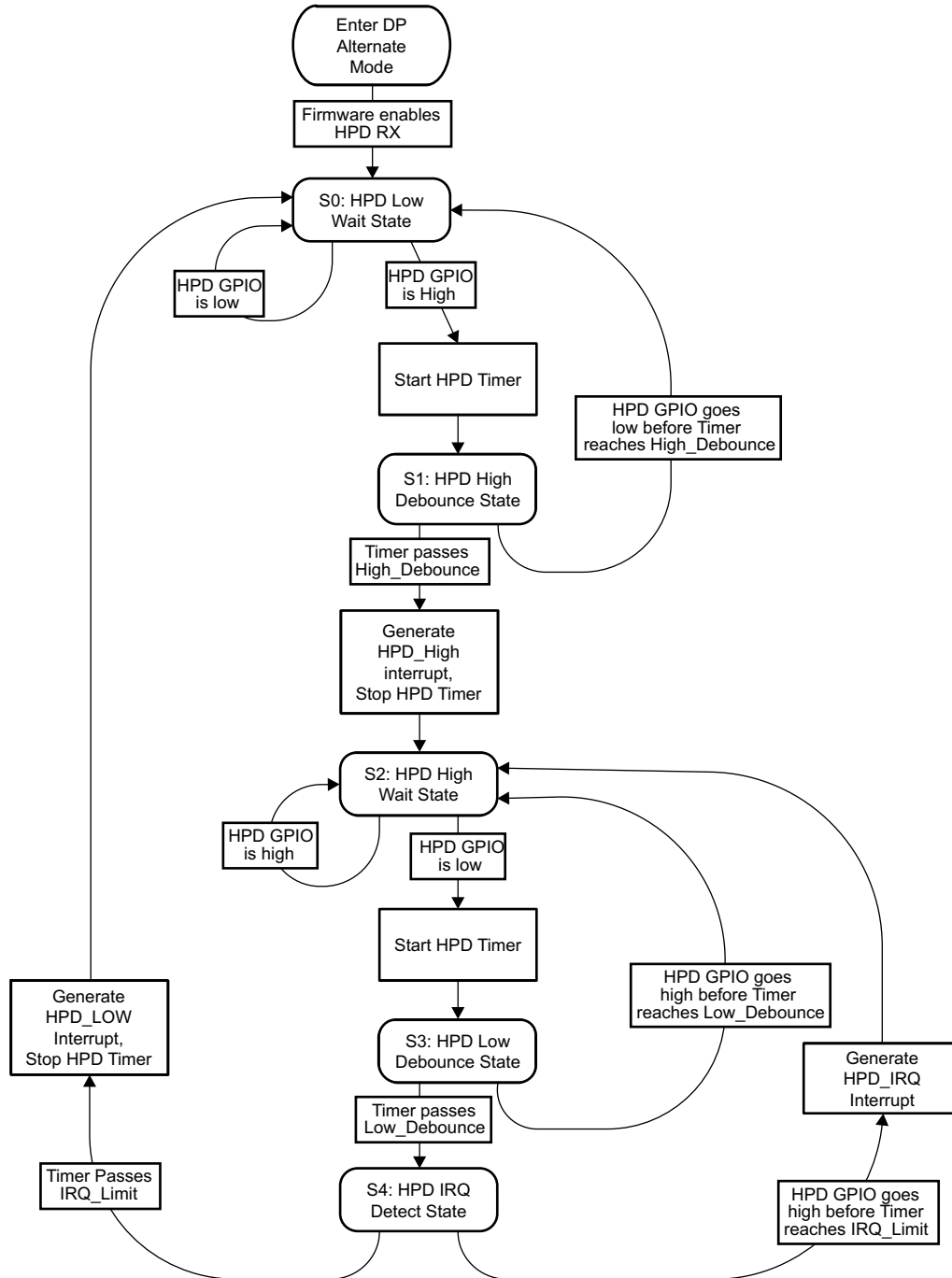


图 9-42. HPD RX Flow

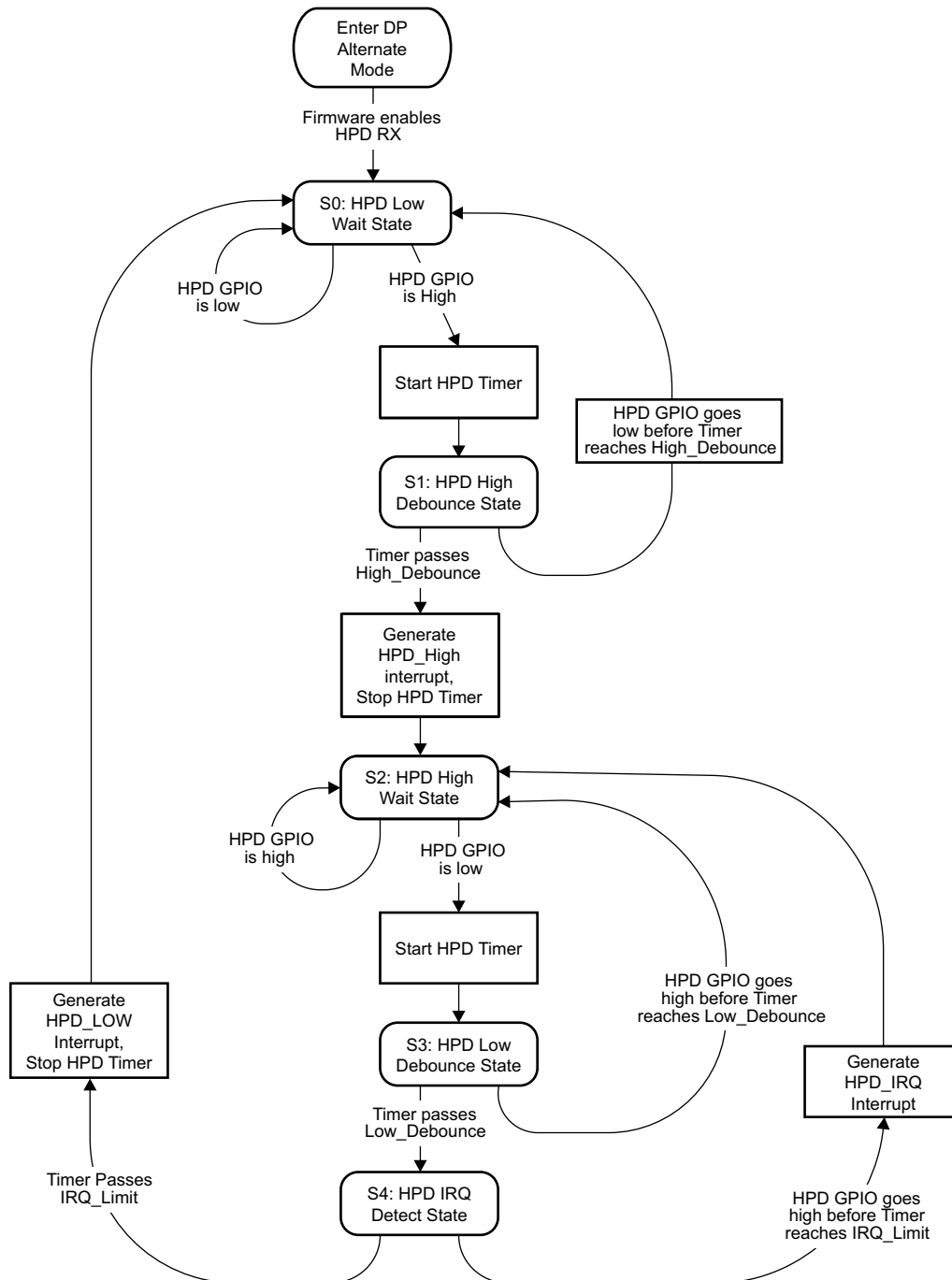


图 9-43. HPD TX Flow Diagram

9.3.17 ADC

图 9-44 shows the TPS65983B ADC. The ADC is a 10-bit successive approximation ADC. The input to the ADC is an analog input multiplexer that supports multiple inputs from various voltages and currents in the device. The output from the ADC is available to be read and used by application firmware. Each supply voltage into the TPS65983B is available to be converted including the port power path inputs and outputs. All GPIO, the C_CCn pins, the charger detection voltages are also available for conversion. To read the port power path current sourced to VBUS, the high-voltage and low-voltage power paths are sensed and converted to voltages to be read by the ADC. For the external FET path, the difference in the SENSEP and SENSEN voltages is converted to detect the current (I_PP_EXT) that is sourced through this path.

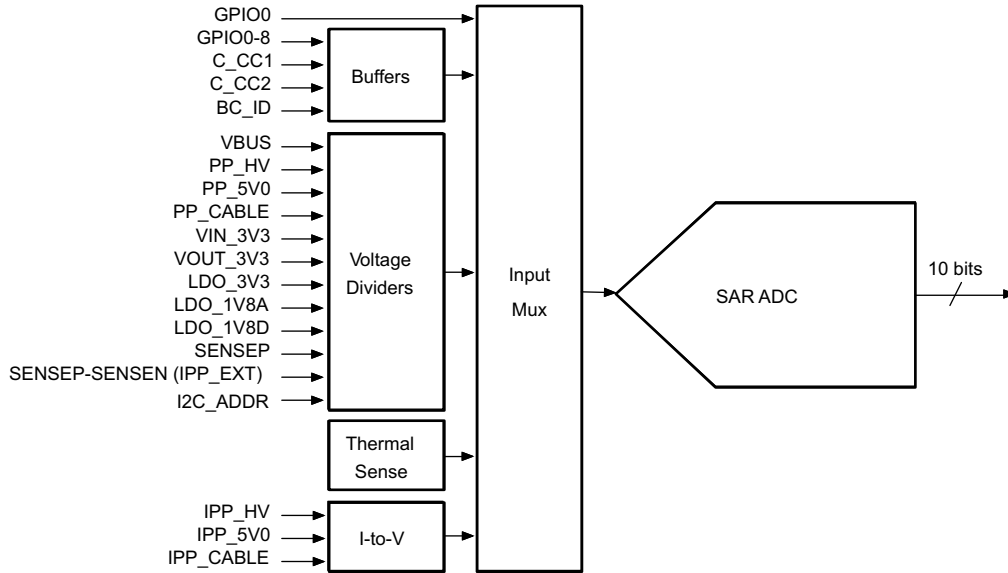


图 9-44. SAR ADC

9.3.17.1 ADC Divider Ratios

The ADC voltage inputs are each divided down to the full-scale input of 1.2 V. The ADC current sensing elements are not divided.

表 9-6 shows the divider ratios for each ADC input. The table also shows which inputs are auto-sequenced in the round robin automatic readout mode. The C_CC1 and C_CC2 pin voltages each have two conversions values. The divide-by-5 (CCn_BY5) conversion is intended for use when the C_CCn pin is configured as VCONN output and the divide-by-2 (CCn_BY2) conversion is intended for use when C_CCn pin is configured as the CC data pin.

表 9-6. ADC Divider Ratios

CHANNEL #	SIGNAL	TYPE	AUTO-SEQUENCED	DIVIDER RATIO	BUFFERED
0	Thermal Sense	Temperature	Yes	N/A	No
1	VBUS	Voltage	Yes	25	No
2	SENSEP	Voltage	Yes	25	No
3	IPP_EXT	Current	Yes	N/A	No
4	PP_HV	Voltage	Yes	25	No
5	IPP_HV	Current	Yes	N/A	No
6	PP_5V0	Voltage	Yes	5	No
7	IPP_5V0	Current	Yes	N/A	No
8	CC1_BY5	Voltage	Yes	5	Yes
9	IPP_CABLE	Current	Yes	N/A	No
10	CC2_BY5	Voltage	Yes	5	Yes
11	GPIO5	Voltage	No	1	No
12	CC1_BY2	Voltage	No	2	Yes
13	CC2_BY2	Voltage	No	2	Yes
14	PP_CABLE	Voltage	No	5	No
15	VIN_3V3	Voltage	No	3	No
16	VOUT_3V3	Voltage	No	3	No
17	BC_ID_SBU	Voltage	No	3	Yes
18	LDO_1V8A	Voltage	No	2	No

表 9-6. ADC Divider Ratios (continued)

CHANNEL #	SIGNAL	TYPE	AUTO-SEQUENCED	DIVIDER RATIO	BUFFERED
19	LDO_1V8D	Voltage	No	2	No
20	LDO_3V3	Voltage	No	3	No
21	I2C_ADDR	Voltage	No	3	Yes
22	GPIO0	Voltage	No	3	Yes
23	GPIO1	Voltage	No	3	Yes
24	GPIO2	Voltage	No	3	Yes
25	GPIO3	Voltage	No	3	Yes
26	GPIO4	Voltage	No	3	Yes
27	GPIO5	Voltage	No	3	Yes
28	GPIO6	Voltage	No	3	Yes
29	GPIO7	Voltage	No	3	Yes
30	GPIO8	Voltage	No	3	Yes
31	BUSPOWERZ	Voltage	No	3	Yes

9.3.17.2 ADC Operating Modes

The ADC is configured into one of three modes: single channel readout, round robin automatic readout and one time automatic readout.

9.3.17.3 Single Channel Readout

In Single Channel Readout mode, the ADC reads a single channel only. Once the channel is selected by firmware, a conversion takes place followed by an interrupt back to the digital core. [图 8-2](#) shows the timing diagram for a conversion starting with an ADC enable. When the ADC is disabled and then enabled, there is an enable time T_{ADC_EN} (programmable) before sampling occurs. Sampling of the input signal then occurs for time T_{SAMPLE} (programmable) and the conversion process takes time $T_{CONVERT}$ (12 clock cycles). After time $T_{CONVERT}$, the output data is available for read and an Interrupt is sent to the digital core for time T_{INTA} (2 clock cycles).

In Single Channel Readout mode, the ADC can be configured to continuously convert that channel. [图 8-3](#) shows the ADC repeated conversion process. In this case, once the interrupt time has passed after a conversion, a new sample and conversion occurs.

9.3.17.4 Round Robin Automatic Readout

When this mode is enabled, the ADC state machine will read from channel 0 to channel 11 and place the converted data into registers. The host interface can request to read from the registers at any time. During Round Robin Automatic Readout, the channel averaging must be set to 1 sample.

When the TPS65983B is running a Round Robin Readout, it will take approximately $696 \mu s$ ($11 \text{ channels} \times 63.33 \mu s$ conversion) to fully convert all channels. Since the conversion is continuous, when a channel is converted, it will overwrite the previous result. Therefore, when all channels are read, any given value may be $649 \mu s$ out of sync with any other value.

9.3.17.5 One Time Automatic Readout

The One Time Automatic Readout mode is identical to the Round Robin Automatic Readout except the conversion process halts after the final channel is converted. Once all 11 channels are converted, an interrupt occurs to the digital core.

9.3.18 I/O Buffers

[表 9-7](#) lists the I/O buffer types and descriptions. [表 9-8](#) lists the pin to I/O buffer mapping for cross-referencing a pin's particular I/O structure. The following sections show a simplified version of the architecture of each I/O buffer type.

表 9-7. I/O Buffer Type Description

BUFFER TYPE	DESCRIPTION
IOBUF_GPIOHSSWD	General Purpose High-Speed I/O
IOBUF_GPIOHSSPI	General Purpose High-Speed I/O
IOBUF_GPIOLS	General Purpose Low-Speed I/O
IOBUF_GPIOLSI2C	General Purpose Low-Speed I/O with I ² C deglitch time
IOBUF_I2C	I ² C Compliant Clock/Data Buffers
IOBUF_OD	Open-Drain Output
IOBUF_UTX	Push-Pull output buffer for UART
IOBUF_URX	Input buffer for UART
IOBUF_PORT	Input buffer between 1st/2nd stage Port Data Mux

表 9-8. Pin to I/O Buffer Mapping

I/O GROUP/PIN	BUFFER TYPE	SUPPLY CONNECTION (DEFAULT FIRST)
DEBUG1/2/3/4	IOBUF_GPIOLS	LDO_3V3, VDDIO
DEBUG_CTL1/2	IOBUF_GPIOLSI2C	LDO_3V3, VDDIO
BUSPOWERZ	IOBUF_GPIOLS	LDO_3V3, VDDIO
GPIO0-8	IOBUF_GPIOLS	LDO_3V3, VDDIO
I2C_IRQ1/2Z	IOBUF_OD	LDO_3V3, VDDIO
I2C_SDA1/2/SCL1/2	IOBUF_I2C	LDO_3V3, VDDIO
LSX_P2R	IOBUF_UTX	LDO_3V3, VDDIO
LSX_R2P	IOBUF_URX	LDO_3V3, VDDIO
MRESET	IOBUF_GPIOLS	LDO_3V3, VDDIO
RESETZ	IOBUF_GPIOLS	LDO_3V3, VDDIO
UART_RX	IOBUF_URX	LDO_3V3, VDDIO
UART_TX	IOBUF_UTX	LDO_3V3, VDDIO
PORT_INT	IOBUF_PORT	LDO_3V3
SPI_PICO/POCI/CLK/CSZ	IOBUF_GPIOHSSPI	LDO_3V3
SWD_CLK/DATA	IOBUF_GPIOHSSWD	LDO_3V3

9.3.18.1 IOBUF_GPIOLS and IOBUF_GPIOLSI2C

图 9-45 shows the GPIO I/O buffer for all GPIO pins listed GPIO0-GPIO17 in [Pin Configuration and Functions](#). GPIO pins can be mapped to USB Type-C, USB PD, and application-specific events to control other ICs, interrupt a host processor, or receive input from another IC. This buffer is configurable to be a push-pull output, a weak push-pull, or open drain output. When configured as an input, the signal can be a deglitched digital input or an analog input to the ADC. The push-pull output is a simple CMOS output with independent pulldown control allowing open-drain connections. The weak push-pull is also a CMOS output, but with GPIO_RPU resistance in series with the drain. The supply voltage to this buffer is configurable to be LDO_3V3 by default or VDDIO. For simplicity, the connection to VDDIO is not shown in 图 9-45, but the connection to VDDIO is fail-safe and a diode will not be present from GPIO to VDDIO in this configuration. The pullup and pulldown output drivers are independently controlled from the input and are enabled or disabled via application code in the digital core.

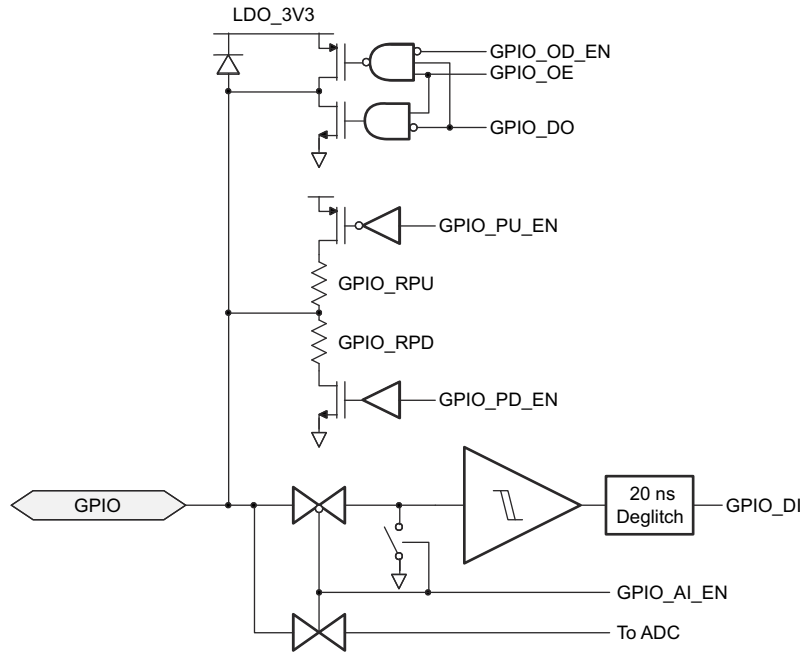


图 9-45. IOBUF_GPIOLS (General GPIO) I/O

图 9-46 shows the IOBUF_GPIOLSI2C that is identical to IOBUF_GPIOLS with an extended deglitch time.

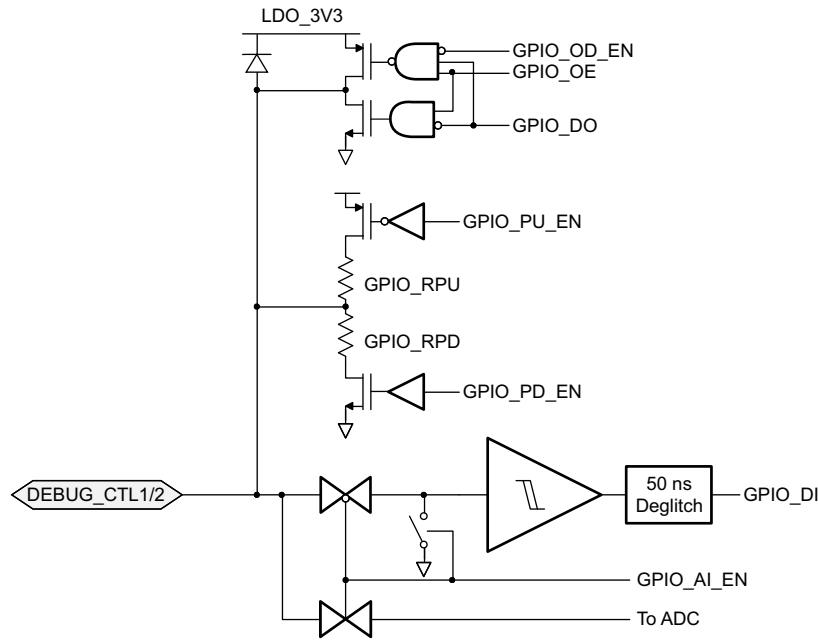


图 9-46. IOBUF_GPIOLSI2C (General GPIO) I/O with I²C Deglitch

9.3.18.2 IOBUF_OD

The open-drain output driver is shown in 图 9-47 and is the same push-pull CMOS output driver as the GPIO buffer. The output has independent pulldown control allowing open-drain connections.

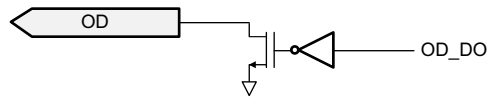


图 9-47. IOBUF_OD Output Buffer

9.3.18.3 IOBUF_UTX

The push-pull output driver is shown in 图 9-48. The output buffer has a UARTTX_RO source resistance. The supply voltage to the system side buffer is configurable to be LDO_3V3 by default or VDDIO. This is not shown in 图 9-48. The supply voltage to the port side buffers remains LDO_3V3.

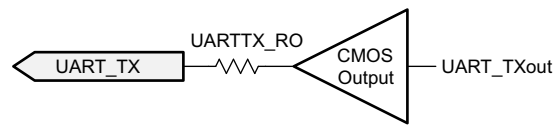


图 9-48. IOBUF_UTX Output Buffer

9.3.18.4 IOBUF_URX

The input buffer is shown in 图 9-49. The supply voltage to the system side buffer is configurable to be LDO_3V3 by default or VDDIO. This is not shown in 图 9-49. The supply voltage to the port side buffers remains LDO_3V3.

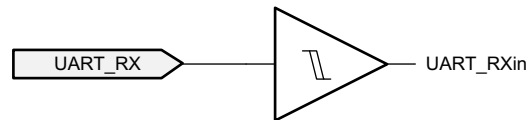


图 9-49. IOBUF_URX Input

9.3.18.5 IOBUF_PORT

The input buffer is shown in 图 9-50. This input buffer is connected to the intermediate nodes between the 1st stage switch and the 2nd stage switch for each port output (C_SBU1/2, C_USB_TP/N, C_USB_BN/P). The input buffer is enabled via firmware when monitoring digital signals and disabled when an analog signal is desired. See the 图 9-36 section for more detail on the pullup and pulldown resistors of the intermediate node.

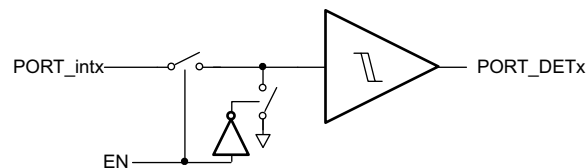


图 9-50. IOBUF_PORT Input Buffer

9.3.18.6 IOBUF_I2C

The I²C I/O driver is shown in 图 9-51. This I/O consists of an open-drain output and an input comparator with deglitching. The supply voltage to this buffer is configurable to be LDO_3V3 by default or VDDIO. This is not shown in 图 9-51. Parameters for the I²C clock and data I/Os are found in 节 7.20.

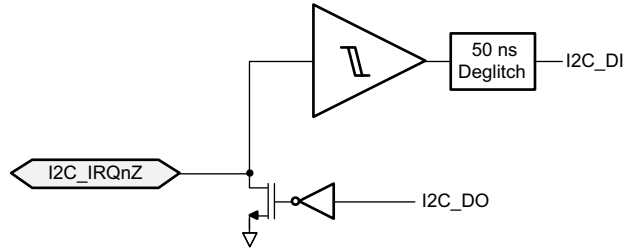


图 9-51. IOBUF_I2C I/O

9.3.18.7 IOBUF_GPIOHSPI

图 9-52 shows the I/O buffers for the SPI interface.

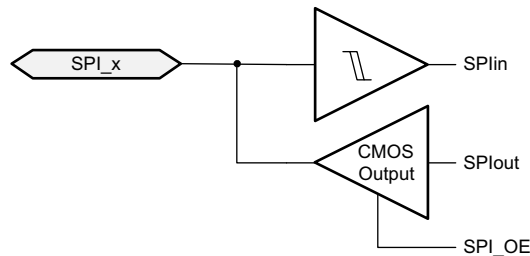


图 9-52. IOBUF_GPIOHSSPI

9.3.18.8 IOBUF_GPIOHSSWD

图 9-53 shows the I/O buffers for the SWD interface. The CLK input path is a comparator with a pullup SWD_RPU on the pin. The data I/O consists of an identical input structure as the CLK input but with a tri-state CMOS output driver.

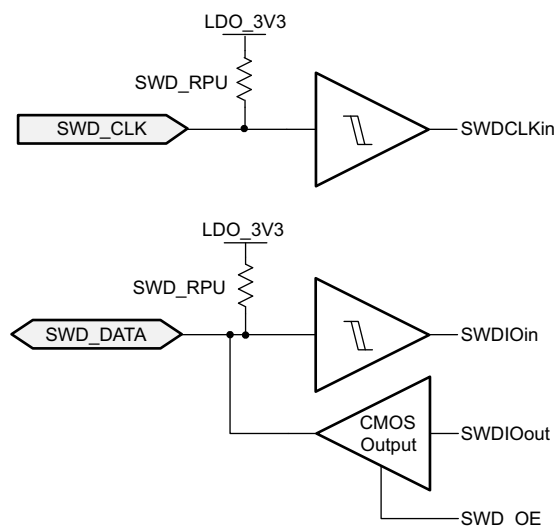


图 9-53. IOBUF_GPIOHSSWD

9.3.19 Thermal Shutdown

The TPS65983B has both a central thermal shutdown to the chip and a local thermal shutdown for the power path block. The central thermal shutdown monitors the temperature of the center of the die and disables all functions except for supervisory circuitry and halts digital core when die temperature goes above a rising temperature of TSD_MAIN. The temperature shutdown has a hysteresis of TSDH_MAIN and when the temperature falls back below this value, the device resumes normal operation. The power path block has its own local thermal shutdown circuit to detect an over temperature condition due to over current and quickly turn off the power switches. The power path thermal shutdown values are TSD_PWR and TSDH_PWR. The output of the thermal shutdown circuit is deglitched by TSD_DG before triggering. The thermal shutdown circuits interrupt to the digital core.

9.3.20 Oscillators

The TPS65983B has two independent oscillators for generating internal clock domains. A 48-MHz oscillator generates clocks for the core during normal operation and clocks for the USB 2.0 endpoint physical layer. An external resistance is placed on the R_OSC pin to set the oscillator accuracy. A 100-kHz oscillator generates clocks for various timers and clocking the core during low-power states.

9.4 Device Functional Modes

9.4.1 Boot Code

The TPS65983B has a Power-on-Reset (POR) circuit that monitors LDO_3V3 and issues an internal reset signal. The digital core, memory banks, and peripherals receive clock and RESET interrupt is issued to the digital core and the boot code starts executing. [图 9-54](#) provides the TPS65983B boot code sequence.

The TPS65983B boot code is loaded from OTP on POR, and begins initializing TPS65983B settings. This initialization includes enabling and resetting internal registers, loading trim values, waiting for the trim values to settle, and configuring the device I²C addresses.

The unique I²C address is based on the customer programmable OTP, DEBUG_CTLX pins, and resistor configuration on the I2C_ADDR pin.

Once initial device configuration is complete the boot code determines if the TPS65983B is booting under dead battery condition (VIN_3V3 invalid, VBUS valid). If the boot code determines the TPS65983B is booting under dead battery condition, the BUSPOWERZ pin is sampled to determine the appropriate path for routing VBUS power to the system.

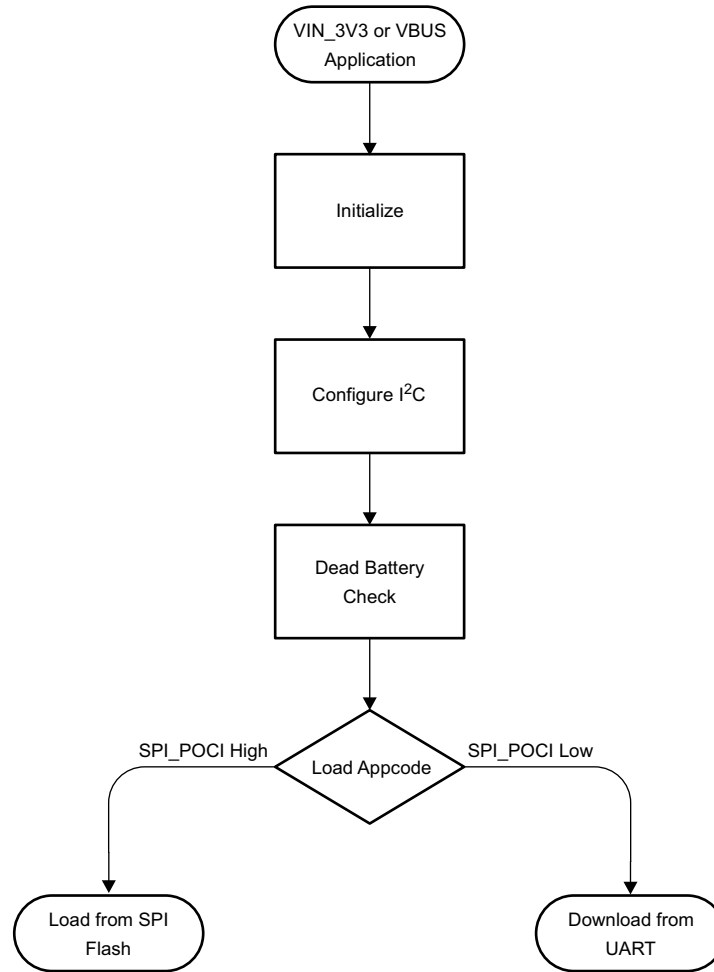


图 9-54. Flow Diagram for Boot Code Sequence

9.4.2 Initialization

During initialization the TPS65983B enables device internal hardware and loads default configurations. The 48-MHz clock is enabled and the TPS65983B persistence counters begin monitoring VBUS and VIN_3V3. These counters ensure the supply powering the TPS65983B is stable before continuing the initialization process. The initialization concludes by enabling the thermal monitoring blocks and thermal shutdown protection, along with the ADC, CRC, GPIO and NVIC blocks.

9.4.3 I²C Configuration

The TPS65983B features dual I²C busses with configurable addresses. The I²C addresses are determined according to the flow depicted in [Figure 9-55](#). The address is configured by reading device GPIO states at boot (refer to the [IC Pin Address Setting](#) section for details). When the I²C addresses are established the TPS65983B enables a limited host interface to allow for communication with the device during the boot process.

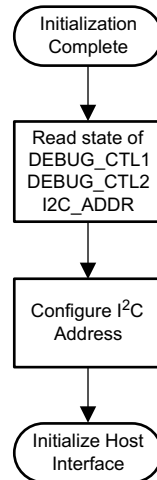


Figure 9-55. I²C Address Configuration

9.4.4 Dead-Battery Condition

After I²C configuration concludes the TPS65983B checks VIN_3V3 to determine the cause of device boot. If the device is booting from a source other than VIN_3V3, the dead battery flow is followed to allow for the rest of the system to receive power. The state of the BUSPOWERZ pin is read to determine power path configuration for dead battery operation. After the power path is configured, the TPS65983B will continue through the boot process. 图 9-56 depicts the full dead battery process.

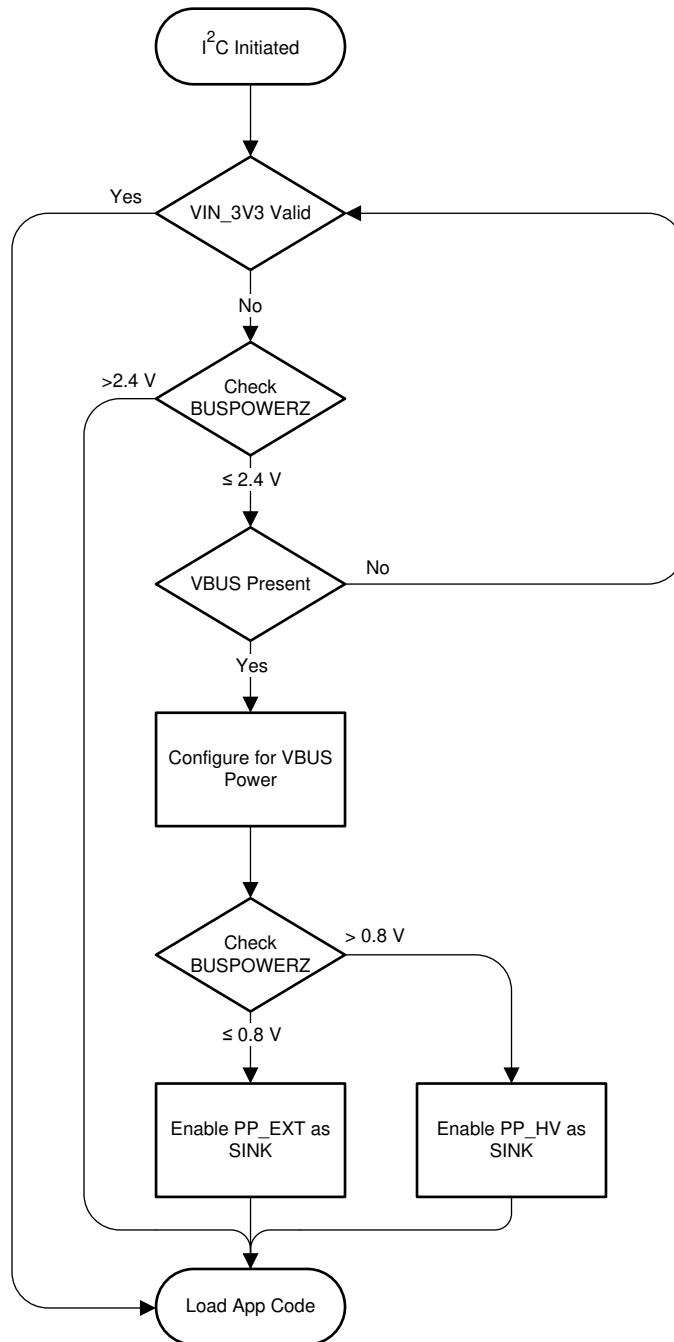


图 9-56. Dead-Battery Condition Flow Diagram

9.4.5 Application Code

The TPS65983B application code is stored in an external flash memory. The flash memory used for storing the TPS65983B application code may be shared with other devices in the system. The flash memory organization shown in [图 9-57](#) supports the sharing of the flash as well as the TPS65983B using the flash without sharing.

The flash is divided into two separate regions, the *Low Region* and the *High Region*. The size of this region is flexible and only depends on the size of the flash memory used. The two regions are used to allow updating the application code in the memory without over-writing the previous code. This ensures that the new updated code is valid before switching to the new code. For example, if a power loss occurred while writing new code, the original code is still in place and used at the next boot.

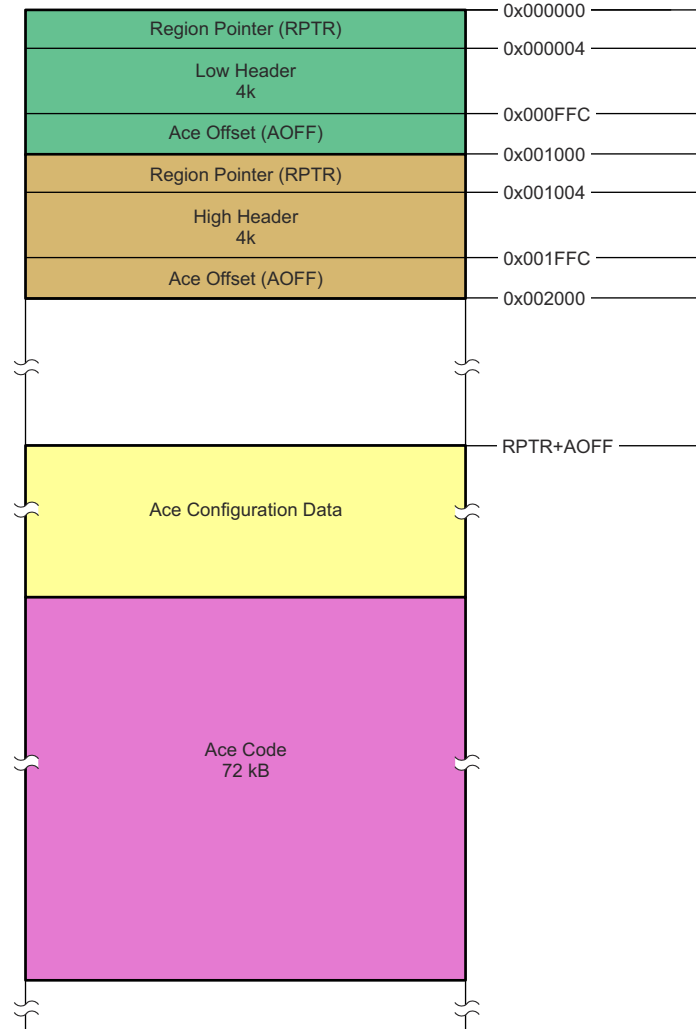


图 9-57. Flash Memory Organization

There are two 4 kB header blocks starting at address 0x000000h. The Low Header 4 kB block is at address 0x000000h and the High Header 4 kB block is at 0x001000h. Each header contains a Region Pointer (RPTR) that holds the address of the physical location in memory where the low region application code resides. Each also contains an Application Code Offset (AOFF) that contains the physical offset inside the region where the TPS65983B application code resides. The TPS65983B firmware physical location in memory is $RPTR + AOFF$. The first sections of the TPS65983B application code contain device configuration settings. This configuration determines the devices default behavior after power-up and can be customized using the TPS65983B Configuration Tool. These pointers may be valid or invalid. The Flash Read flow handles reading and determining whether a region is valid and contains good application code.

9.4.6 Flash Memory Read

The TPS65983B first attempts to load application code from the low region of the attached flash memory. If any part of the read process yields invalid data, the TPS65983B will abort the low region read and attempt to read from the high region. If both regions contain invalid data the device carries out the Invalid Memory flow. 图 9-58 shows the flash memory read flow.

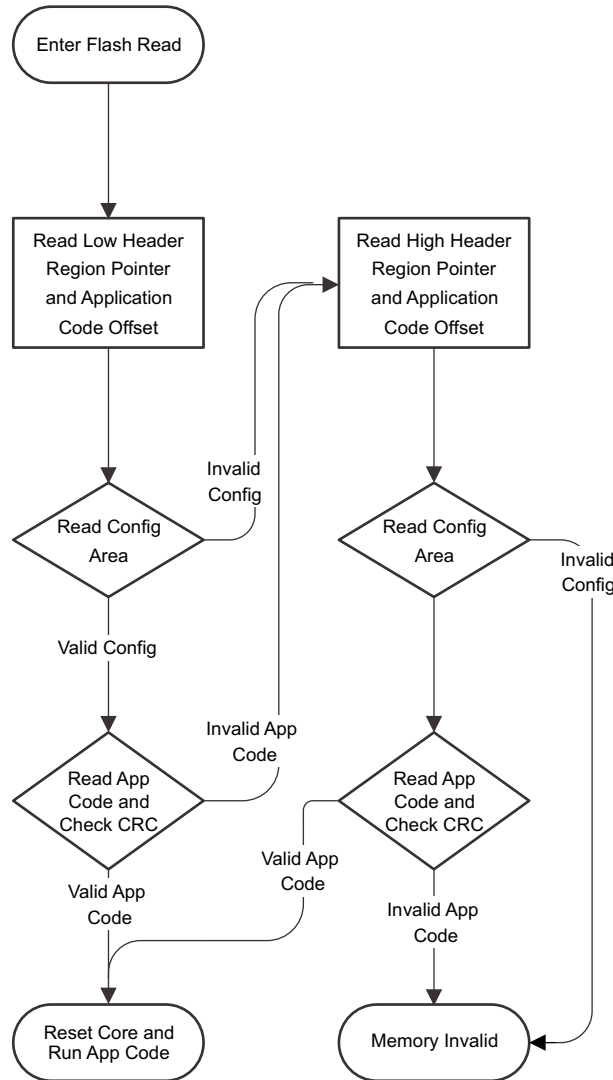


图 9-58. Flash Read Flow

9.4.7 Invalid Flash Memory

If the flash memory read fails because of invalid data, the TPS65983B carries out the memory invalid flow and presents the SWD interface on the USB Type-C SBU pins.

图 9-59 shows the invalid memory process.

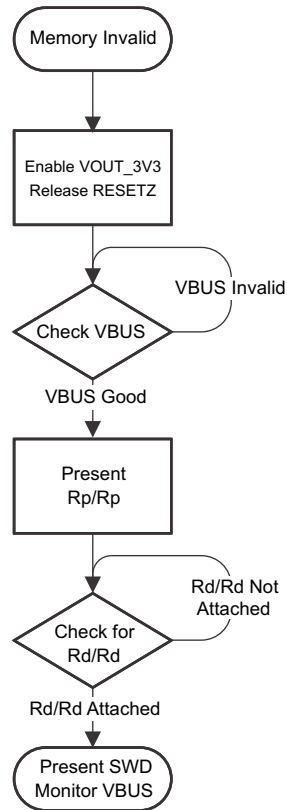


图 9-59. Memory Invalid Flow

9.4.8 UART Download

The secondary TPS65983B downloads the needed application code from the primary TPS65983B through UART. 图 9-60 depicts the UART download process.

Currently the TPS65983B firmware only supports 2 device (1 primary + 1 secondary) systems.

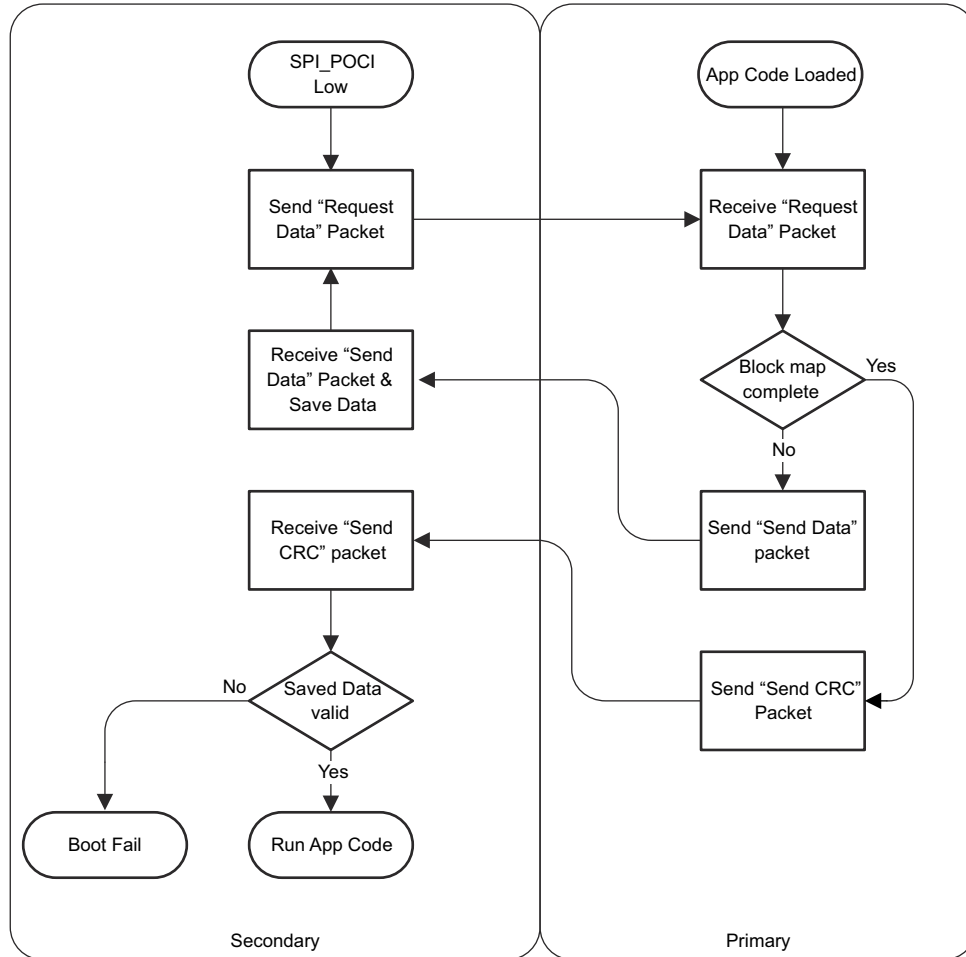


图 9-60. UART Download Process

9.4.8.1 Primary TPS65983B Flash Master and Secondary Port

A single flash can be used for two TPS65983B's in a system where the primary TPS65983B is connected to the flash and the secondary TPS65983B is connected to the primary through UART. UART data is used to pass the firmware from the primary TPS65983B to the secondary TPS65983B in the system. [图 9-61](#) shows a simplified block diagram of how a primary and secondary TPS65983B are connected using a single flash. The primary TPS65983B must have its I2C_ADDR pin tied to GND with a 0 Ω to denote it as the primary TPS65983B.

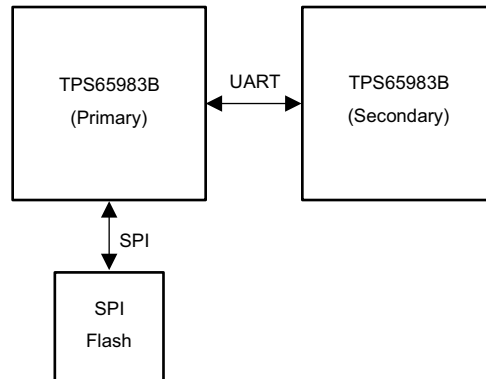


图 9-61. Primary and Secondary TPS65983B Sharing a Single Flash

9.5 Programming

9.5.1 SPI Controller Interface

The TPS65983B loads flash memory during the *Boot Code* sequence. The SPI controller electrical characteristics are defined in [SPI Controller Characteristics](#) and timing characteristics are defined in [图 8-5](#). The TPS65983B is designed to power the flash from LDO_3V3 in order to support dead-battery or no-battery conditions, and therefore pullup resistors used for the flash memory must be tied to LDO_3V3. The flash memory IC must support 12 MHz SPI clock frequency. The size of the flash must be at least 1 Mbyte (equivalent to 8 Mbit) to hold the standard application code outlined in [Application Code](#). The SPI controller of the TPS65983B supports SPI Mode 0. For Mode 0, data delay is defined such that data is output on the same cycle as chip select (SPI_CSZ pin) becomes active. The chip select polarity is active-low. The clock phase is defined such that data (on the SPI_POCI and SPI_PICO pins) is shifted out on the falling edge of the clock (SPI_CLK pin) and data is sampled on the rising edge of the clock. The clock polarity for chip select is defined such that when data is not being transferred the SPI_CLK pin is held (or idling) low. The minimum erasable sector size of the flash must be 4 kB. The W25Q80 flash memory IC is recommended. Refer to TPS65983B I²C Host Interface Specification for instructions for interacting with the attached flash memory over SPI using the host interface of the TPS65983B.

9.5.2 I²C Slave Interface

The TPS65983B has three I²C interface ports. I²C Port 1 is comprised of the I2C_SDA1, I2C_SCL1, and I2C_IRQ1Z pins. I²C Port 2 is comprised of the I2C_SDA2, I2C_SCL2, and I2C_IRQ2Z pins. These interfaces provide general status information about the TPS65983B, as well as the ability to control the TPS65983B behavior, as well as providing information about connections detected at the USB-C receptacle and supporting communications to/from a connected device and/or cable supporting BMC USB-PD. The third port is comprised of the DEBUG_CTL1 and DEBUG_CTL2 pins. This third port is a firmware emulated I²C master. The pins are generic GPIO and do not contain any dedicated hardware for I²C such as detecting starts, stops, acks, or other protocol normally associated with I²C. This third port is always a master and has no interrupt. This port is intended to master another device that has simple control based on mode and multiplexer orientation. DEBUG_CTL1 is the serial clock and DEBUG_CTL2 is serial data.

The first two ports can be a master or a slave, but the default behavior is to be a slave. Port 1 and Port 2 are interchangeable. Each port operates the same way and has the same access in and out of the core. An interrupt mask is set for each that determines what events are interrupted on that given port.

9.5.2.1 I²C Interface Description

The TPS65983B support Standard and Fast mode I²C interface. The bidirectional I²C bus consists of the serial clock (SCL) and serial data (SDA) lines. Both lines must be connected to a supply through a pullup resistor. Data transfer may be initiated only when the bus is not busy.

A master sending a Start condition, a high-to-low transition on the SDA input/output, while the SCL input is high initiates I²C communication. After the Start condition, the device address byte is sent, most significant bit (MSB) first, including the data direction bit (R/W).

After receiving the valid address byte, this device responds with an acknowledge (ACK), a low on the SDA input/output during the high of the ACK-related clock pulse. On the I²C bus, only one data bit is transferred during each clock pulse. The data on the SDA line must remain stable during the high pulse of the clock period as changes in the data line at this time are interpreted as control commands (Start or Stop). The master sends a Stop condition, a low-to-high transition on the SDA input/output while the SCL input is high.

Any number of data bytes can be transferred from the transmitter to receiver between the Start and the Stop conditions. Each byte of eight bits is followed by one ACK bit. The transmitter must release the SDA line before the receiver can send an ACK bit. The device that acknowledges must pull down the SDA line during the ACK clock pulse, so that the SDA line is stable low during the high pulse of the ACK-related clock period. When a slave receiver is addressed, it must generate an ACK after each byte is received. Similarly, the master must generate an ACK after each byte that it receives from the slave transmitter. Setup and hold times must be met to ensure proper operation

A master receiver signals an end of data to the slave transmitter by not generating an acknowledge (NACK) after the last byte has been clocked out of the slave. The master receiver holding the SDA line high does this. In this event, the transmitter must release the data line to enable the master to generate a Stop condition.

图 9-62 shows the start and stop conditions of the transfer. 图 9-63 shows the SDA and SCL signals for transferring a bit. 图 9-64 shows a data transfer sequence with the ACK or NACK at the last clock pulse.

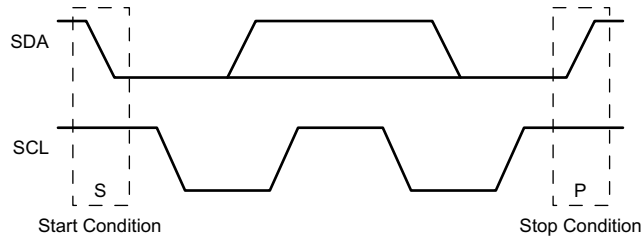


图 9-62. I²C Definition of Start and Stop Conditions

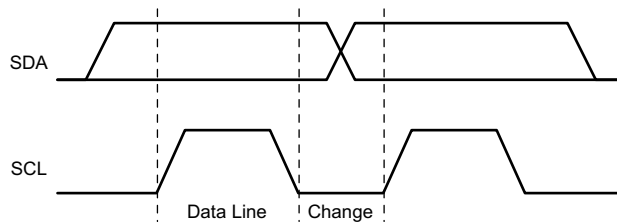


图 9-63. I²C Bit Transfer

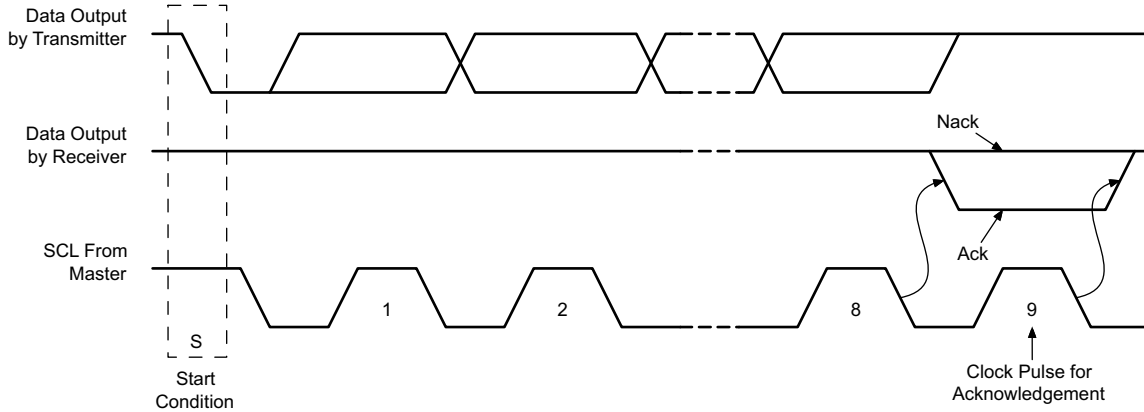


图 9-64. I²C Acknowledgment

9.5.2.2 I²C Clock Stretching

The TPS65983B features clock stretching for the I²C protocol. The TPS65983B slave I²C port may hold the clock line (SCL) low after receiving (or sending) a byte, indicating that it is not yet ready to process more data. The master communicating with the slave must not finish the transmission of the current bit and must wait until the clock line actually goes high. When the slave is clock stretching, the clock line will remain low.

The master must wait until it observes the clock line transitioning high plus an additional minimum time (4 μs for standard 100 kbps I²C) before pulling the clock low again.

Any clock pulse may be stretched but typically it is the interval before or after the acknowledgment bit.

9.5.2.3 I²C Address Setting

The boot code sets the hardware configurable unique I²C address of the TPS65983B before the port is enabled to respond to I²C transactions. The unique I²C address is determined by a combination of the digital level on the DEBUG_CTL1/DEBUG_CTL2 pins (two bits) and the analog level set by the analog I2C_ADDR strap pin (three bits) as shown in 表 9-9.

表 9-9. I²C Default Unique Address

Default I ² C Unique Address							
Bit 7	Bit 6	Bit 5	Bit 4	Bit 3	Bit 2	Bit 1	Bit 0
0	1	DEBUG_CTL2	DEBUG_CTL1	I2C_ADDR_DECODE[2:0]			R/W

Note 1: Any bit is maskable for each port independently providing firmware override of the I²C address.

9.5.2.4 Unique Address Interface

The Unique Address Interface allows for complex interaction between an I²C master and a single TPS65983B. The I²C Slave sub-address is used to receive or respond to Host Interface protocol commands. 图 9-65 and 图 9-66 show the write and read protocol for the I²C slave interface, and a key is included in 图 9-67 to explain the terminology used. The key to the protocol diagrams is in the SMBus Specification and is repeated here in part.

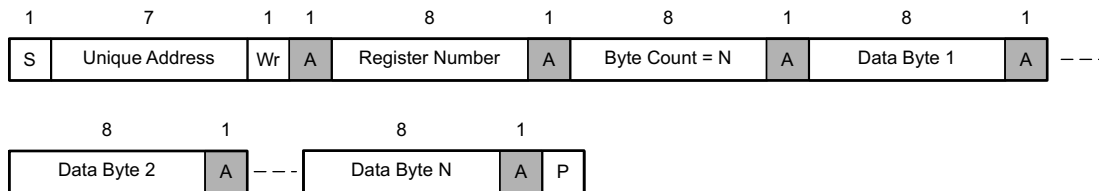


图 9-65. I²C Unique Address Write Register Protocol

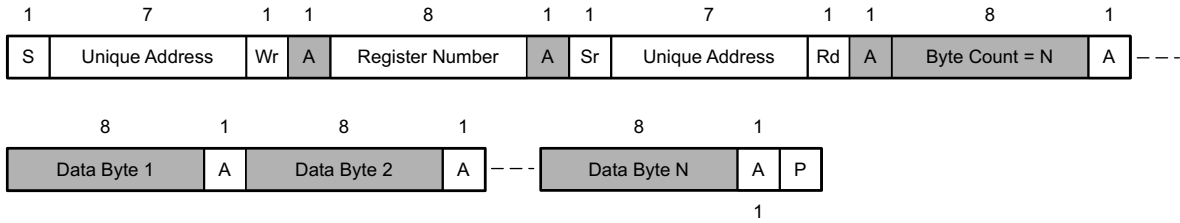
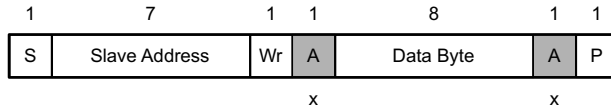


图 9-66. I²C Unique Address Read Register Protocol



- S Start Condition
- SR Repeated Start Condition
- Rd Read (bit value of 1)
- Wr Write (bit value of 0)
- x Field is required to have the value x
- A Acknowledge (this bit position may be 0 for an ACK or 1 for a NACK)
- P Stop Condition
- Master-to-Slave
- Slave-to-Master
- Continuation of protocol

图 9-67. I²C Read/Write Protocol Key

9.5.2.5 I²C Pin Address Setting

To enable the setting of multiple I²C addresses using a single TPS65983B pin, a resistance is placed externally on the I2C_ADDR pin. The internal ADC then decodes the address from this resistance value. 图 9-68 shows the decoding. DEBUG_CTL1/2 are checked at the same time for the DC condition on this pin (high or low) for setting other bits of the address described previously. Note, DEBUG_CTL1/2 are GPIO and the address decoding is done by firmware in the digital core.

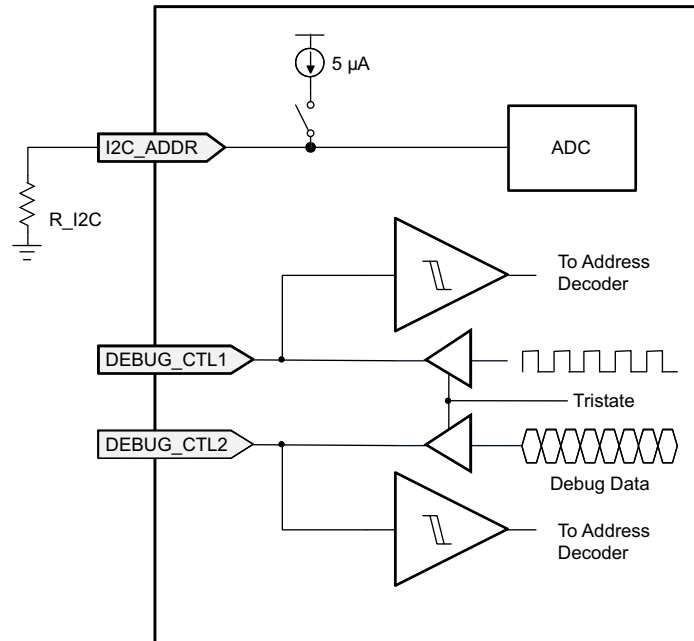


图 9-68. I²C Address Decode

表 9-10 lists the external resistance needed to set bits [3:1] of the I²C Unique Address. For the master TPS65983B, the pin is grounded.

表 9-10. I²C Address Resistance

TPS65983B DEVICE	EXTERNAL RESISTANCE (1%)	I ² C UNIQUE ADDRESS [3:1]
Master 0	0	0x00
Slave 7	38.3k	0x01
Slave 6	84.5k	0x02
Slave 5	140k	0x03
Slave 4	205k	0x04
Slave 3	280k	0x05
Slave 2	374k	0x06
Slave 1	Open	0x0F

10 Application and Implementation

Note

以下应用部分中的信息不属于 TI 器件规格的范围，TI 不担保其准确性和完整性。TI 的客户应负责确定器件是否适用于其应用。客户应验证并测试其设计，以确保系统功能。

10.1 Application Information

The typical applications of the TPS65983B include chargers, notebooks, tablets, ultrabooks, docking systems, dongles, and any other product supporting USB Type-C and/or USB-PD as a power source, power sink, data DFP, data UFP, or dual-role port (DRP). The typical applications outlined in the following sections detail a *Fully-Featured USB Type-C and PD Charger Application* and a *Dual-Port Notebook Application Supporting USB PD Charging and DisplayPort*.

10.2 Typical Application

10.2.1 Fully-Featured USB Type-C and PD Charger Application

The TPS65983B controls three separate power paths making it a flexible option for Type C PD charger applications. In addition, the TPS65983B supports VCONN power for *e-marked* cables which are required for applications which require greater than 3 A of current on VBUS. 图 10-1 below shows the high level block diagram of a Type C PD charger that is capable of supporting 5 V at 3 A, 12 V at 3 A, and 20 V at 5 A. The 5-V and 12-V outputs are supported by the TPS65983B internal FETs and the 20-V output uses the external FET path controlled by the TPS65983B NFET drive. This Type-C PD charger uses a receptacle for flexibility on cable choice.

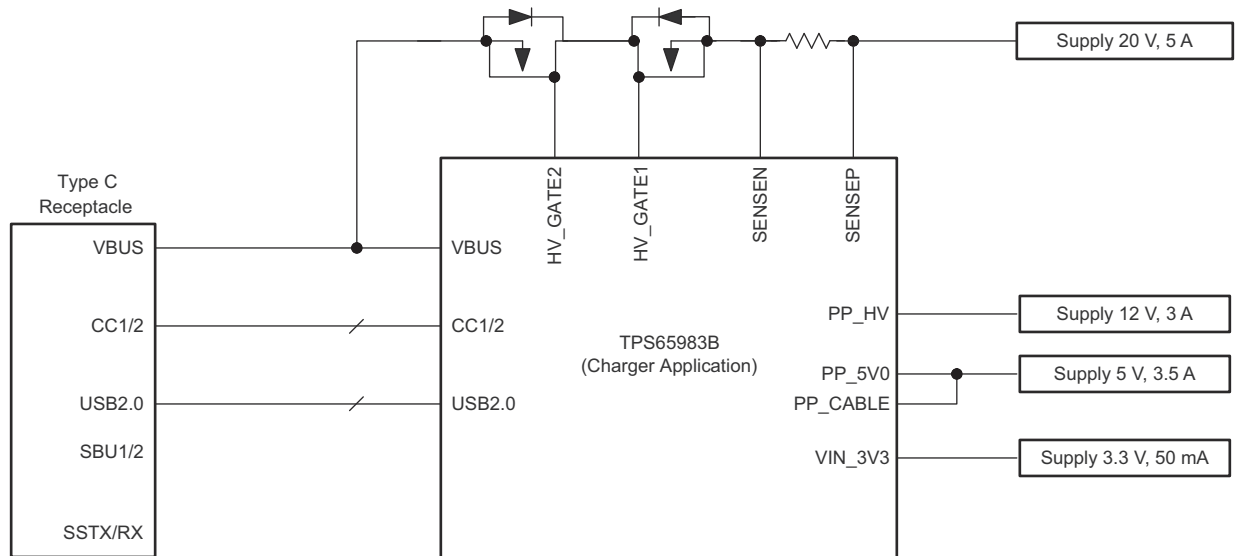


图 10-1. Type-C and PD Charger Application

10.2.1.1 Design Requirements

For a USB Type-C and PD Charger application, 表 10-1 lists the input voltage requirements and expected current capabilities.

表 10-1. Charging Application Design Parameters

DESIGN PARAMETER	EXAMPLE VALUE	DIRECTION OF CURRENT
PP_5V0 Input Voltage and Current Capabilities	5 V, 3 A	Sourcing to VBUS
PP_CABLE Input Voltage and Current Capabilities	5 V, 500 mA	Sourcing to VCONN

表 10-1. Charging Application Design Parameters (continued)

DESIGN PARAMETER	EXAMPLE VALUE	DIRECTION OF CURRENT
PP_HV Input Voltage and Current Capabilities	12 V, 3 A	Sourcing to VBUS
EXT FET Path Input Voltage and Current Capabilities	20 V, 5 A	Sourcing to VBUS
VIN_3V3 Voltage and Current Requirements	2.85 to 3.45 V, 50 mA	Internal TPS65983B Circuitry

10.2.1.1.1 External FET Path Components (PP_EXT and RSENSE)

The external FET path allows for the maximum PD power profile (20 V at 5 A) and design considerations must be taken into account for choosing the appropriate components to optimize performance.

Although a Type C PD charger will be providing power there could be a condition where a non-compliant device can be connected to the charger and force voltage back into the charger. To protect against this the external FET path detects reverse current in both directions of the current path. The TPS65983B uses “two back to back” NFETs to protect both sides of the system. Another design consideration is to rate the external NFETs above the Type C and PD specification maximum which is 20 V. In this specific design example, 30-V NFETs are used that have an average $R_{DS,ON}$ of 5 m Ω to reduce losses.

The TPS65983B supports either a 10 m Ω or a 5 m Ω sense resistor on the external FET path. This RSENSE resistor is used for current limiting and is used for the reverse current protection of the power path. A 5 m Ω sense resistor is used in the design to minimize losses and I-R voltage drop. Recommended NFET Capabilities summarizes the recommended parameters for the external NFET used. The total voltage drop seen across RSENSE and the external NFET could be determined by [方程式 5](#) below. Considering the drop in the entire system and regulating accordingly is important to ensure that the output voltage is within the specification. Use [方程式 6](#) to calculate the power lost through the external FET path.

表 10-2. Recommended NFET Capabilities

VOLTAGE RATING	CURRENT RATING	$R_{DS,ON}$
30 V (minimum)	10 A (peak current)	< 10 m Ω

$$\text{Voltage Drop} = \text{DC Current} (R_{\text{sense}} + \text{NFET1 } R_{DS,ON} + \text{NFET2 } R_{DS,ON}) \quad (5)$$

$$\text{Power Loss} = \text{Voltage Drop} \times \text{DC Current} \quad (6)$$

10.2.1.2 Detailed Design Procedure**10.2.1.2.1 TPS65983B External Flash**

The external flash contains the TPS65983B application firmware and must be sized to 1MB minimum when the flash is not shared with another IC, but a recommended minimum of 1MB is needed when the flash memory of the TPS65983B is shared with another IC. This size will allow for pointers and two copies of the firmware image to reside on the flash along with the needed headers. The flash used is the W25Q80 which is a 3.3-V flash and is powered from the LDO_3V3 output from the TPS65983B device.

10.2.1.2.2 I²C (I2C), Debug Control (DEBUG_CTL), and Single-Wire De-bugger (SWD) Resistors

I2C_ADDR, DEBUG_CTL1/2 pins must be tied to GND through a 0- Ω resistor tied to GND directly if needed to reduce solution size. Pullups on the I2C_CLK, I2C_SDA, and I2C_IRQ are used for de-bugging purposes. In most simple charger designs, I²C communication may not be needed. A 3.83-k Ω pullup resistor from SWD_DATA to LDO_3V3 and a 100-k Ω pulldown resistor from SWD_CLK to GND must also be used for de-bugging purposes.

10.2.1.2.3 Oscillator (R_OSC) Resistor

A 15-k Ω 0.1% resistor is needed for key PD BMC communication timing and the USB2.0 endpoint. A 1% 15-k Ω resistor is not recommended to be used because the internal oscillators are not controlled well enough by this loose resistor tolerance.

10.2.1.2.4 VBUS Capacitor and Ferrite Bead

A 1- μ F ceramic capacitor is placed close to the TPS65983B VBUS pins. A 6-A ferrite bead is used in this design along with four high-frequency noise 10-nF capacitors placed close to the Type-C connector to minimize noise.

10.2.1.2.5 Soft Start (SS) Capacitor

The recommended 0.22- μ F capacitor is placed on the TPS65983B SS pin.

10.2.1.2.6 USB Top (C_USB_T), USB Bottom (C_USB_B), and Sideband-Use (SBU) Connections

Although the charger is configured to be only a power source, SBU1/2, USB Top and Bottom must be routed to the Type C connector. This allows for debugging or for any specific alternate modes for power to be configured if needed. ESD protection is used in the design on all of these nets as good design practice.

10.2.1.2.7 Port Power Switch (PP_EXT, PP_HV, PP_5V0, and PP_CABLE) Capacitors

The design assumes that a DC-DC converter is connected to the paths where there is significant output capacitance on the DC-DCs to provide the additional capacitance for load steps. TI recommends for the DC-DC converters for to be capable of supporting current spikes which can occur with certain PD configurations.

The PP_EXT path is capable of supporting up to 5 A which requires additional capacitance to support system loading by the device connected to the charger. A ceramic 10- μ F (X7R/X5R) capacitor is used in this design. This capacitor must at least have a 25-V rating with a recommended 30-V-rated or greater capacitor.

The PP_HV path is capable of supporting up to 3 A which requires additional capacitance to support system loading by the device connected to the charger. A ceramic 10- μ F (X7R/X5R) capacitor coupled with a 0.1- μ F high-frequency capacitor is placed close to the TPS65983B device.

The PP_5V0 and PP_CABLE supplies are connected together therefore a ceramic 22- μ F (X7R/X5R) capacitor coupled with a 0.1- μ F high-frequency capacitor is placed close to the TPS65983B device. The PP_5V0 path can support 3 A and the PP_CABLE path supports 600 mA for active Type C PD cables.

The design assumes that a DC-DC converter is connected to the paths where there is significant output capacitance on the DC-DCs to provide the additional capacitance. It is recommended to for the DC-DC converters to be capable of supporting current spikes which can occur with certain PD configurations.

10.2.1.2.8 Cable Connection (CCn) Capacitors and RPD_Gn Connections

This charger application is designed to only be a source of power and does not support *Dead Battery*. RPD_G1 and RPD_G2 must be tied to GND and not connected to the CC1 and CC2 respectively. The CC1 and CC2 lines require a 220-pF capacitor to GND.

10.2.1.2.9 LDO_3V3, LDO_1V8A, LDO_1V8D, LDO_BMC, VOUT_3V3, VIN_3V3, and VDDIO

For all capacitances, the DC voltage must be factored into the derating of ceramic capacitors. Generally the effective capacitance is halved with voltage applied.

VIN_3V3 is connected to VDDIO which ensures that the I/Os of the TPS65983B device are configured to 3.3 V. A 1- μ F capacitor is used and is shared between VDDIO and VIN_3V3. LDO_1V8D, LDO_1V8A, and LDO_BMC each have their own 1- μ F capacitor. In this design LDO_3V3 powers the external flash of the TPS65983B device and various pullups. A 10- μ F capacitor was chosen to support these additional connections. VOUT_3V3 is not used in this design and capacitor is not needed.

10.2.1.3 Application Curve

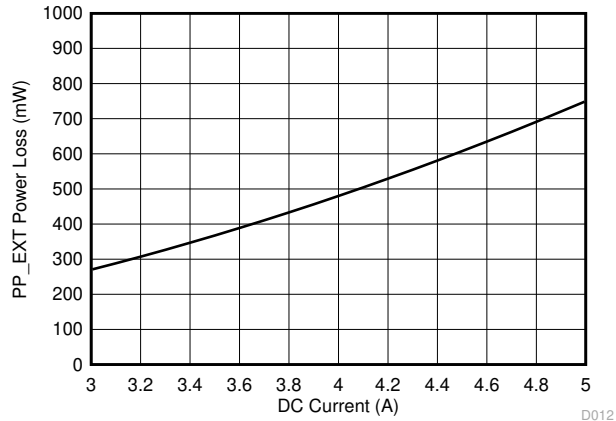


图 10-2. PP_EXT Power Loss

10.2.2 Dual-Port Notebook Application Supporting USB PD Charging and DisplayPort

The TPS65983B device features support for DisplayPort over Type-C alternate mode and manages sinking and sourcing of power in Power Delivery. The block diagram, shown in 图 10-3, depicts a two port system that is capable of charging from either Type C port over PD, DisplayPort Alternate Mode, and delivering Battery Power to a bus-powered device. With the DisplayPort support, the TPS65983B device controls an external SuperSpeed multiplexer, HD3SS460, to route the appropriate super-speed signals to the Type-C connector. The HD3SS460 is controlled through GPIOs configured by the TPS65983B application code and the HD3SS460 is designed to meet the timing requirements defined by the DisplayPort over Type-C specification. A system controller is also necessary to handle some of the dynamic aspects of Power Delivery such as reducing power capabilities when system battery power is low. Audio accessory device is supported by the design as well. Although USB_RP_P and USB_RP_N are not shown in the block diagram, they must be connected to the system-side IC that will receive and send USB2.0 high-speed data through the integrated multiplexer of the TPS65983B device.

表 10-3. Dual-Port Notebook Application Design Parameters (continued)

DESIGN PARAMETERS	EXAMPLE VALUE	DIRECTION OF CURRENT
PP_CABLE Input Voltage and Current Capabilities	5 V, 500 mA	Sourcing to VCONN
PP_HV Input Voltage and Current Capabilities	10 to 13 V, 3 A	Sourcing to VBUS (directly from Battery)
EXT FET Path Voltage and Current Capabilities	20 V, 3 A	Sourcing to VBUS or Sinking from VBUS
VIN_3V3 Voltage and Current Requirements	2.85 to 3.45 V, 50 mA	Internal TPS65983B Circuitry

10.2.2.1.1 Source Power Delivery Profiles for Type-C Ports

表 10-4 shows the summary of the source PD profiles that are supported for this specific design. PDO 1 and 2 are always be present in the system and are able to be negotiated without any other system interaction. When DC barrel Jack voltage is sensed PDO 3 becomes available for power delivery negotiation. The external sense resistor, RSENSE, is configured to only measure the current being sourced by the system. When operating as a sink of power the input current cannot be measured in this configuration.

表 10-4. Source USB PD Profiles

PDO	PDO TYPE	VOLTAGE	CURRENT OR POWER	EXTERNALLY DEPENDENT
PDO1	Fixed Supply	5 V	3 A	No
PDO2	Battery Power	10 V to 13 V	30 W	No
PDO3	Fixed Supply	20 V	3 A	Yes

10.2.2.1.2 Sink Power Delivery Profile for Type-C Ports

The two Type-C ports used in this design support Power Delivery and enable charging over a Type-C connection. 表 10-5 shows the sink profile supported by both of the ports. The reverse current blocking of the TPS65983B device allows both of the Type-C ports to negotiate a power contract, but it is good system practice for the System Controller to change the sink profile when a power contract is established. When the DC barrel jack is connected the TPS65983B device renegotiates the a PD contract to no longer charge of Type C and have the DC Barrel Jack take precedence when connected.

表 10-5. Sink USB PD Profile

RDO TYPE	VOLTAGE	CURRENT	EXTERNALLY DEPENDENT
Fixed Supply	20 V	3 A	Yes

10.2.2.2 Detailed Design Procedure

The same passive components used in the [Fully-Featured USB Type-C and PD Charger Application](#) are also applicable in this design to support all of the features of the TPS65983B. Additional design information is provided below to explain the connections between the TPS65983B device and the system controller and the TPS65983B and the HD3SS460 SuperSpeed multiplexer.

10.2.2.2.1 TPS65983B and System Controller Interaction

The TPS65983B features two I²C slave ports that can be used simultaneously, where the system controller has the ability to write to either of the I²C slave ports. Each I²C port has an I²C interrupt that will inform the system controller that a change has happened in the system. This allows the system controller to dynamically budget power and reconfigures the capabilities of a port dependent on current state of the system. For example, if a battery power contract is established and the system is running low on battery power the system controller could notify the TPS65983B to renegotiate a power contract. The system controller is also used for updating the TPS65983B firmware over I²C, where the Operating System will be able to load the Firmware update to the system controller and then the system controller would be able to update firmware update though I²C.

10.2.2.2.2 HD3SS460 Control and DisplayPort Configuration

The two Type-C ports in this design support DisplayPort simultaneously on both ports. When a system is not capable of supporting video on both ports the system controller will disable DisplayPort on the second Type-C port through I²C. 表 10-6 below shows the DisplayPort configurations supported in the system. 表 10-7 shows the summary of the TPS65983B GPIO signals control for the HD3SS460. Although the HD3SS460 is able to multiplex the required AUX_N/P signals to the SBU_1/2 pins, they are connected through the TPS65983B for additional support of custom alternate mode configurations.

表 10-6. Supported DisplayPort Configurations

CONFIGURATION	DisplayPort ROLE	DisplayPort PIN ASSIGNMENT	DisplayPort LANES
Configuration 1	DFP_D	Pin Assignment C	4 Lane
Configuration 2	DFP_D	Pin Assignment D	2 Lane and USB 3.1
Configuration 3	DFP_D	Pin Assignment E	4 Lane (Dongle Support)

表 10-7. TPS65983B and HD3SS460 GPIO Control

TPS65983B GPIO	HD3SS460 CONTROL PIN	DESCRIPTION
GPIO_0	AMSEL	Alternate Mode Selection (DP/USB3)
GPIO_3	EN	Super Speed Mux Enable
DEBUG2	POL	Type-C Cable

10.2.2.2.3 DC Barrel Jack and Type-C PD Charging

The system is design to either charge over Type-C or from the DC barrel jack. The TPS65983B detects that the DC barrel jack is connected to GPIO. In the simplest form, a voltage divider could be set to the GPIO I/O level when the DC Barrel jack voltage is present, as shown in 图 10-4. A comparator circuit is recommend and used in this design for design robustness, as shown in 图 10-5.

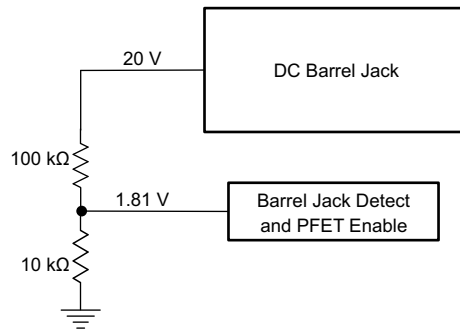


图 10-4. DC Barrel Jack Voltage Divider

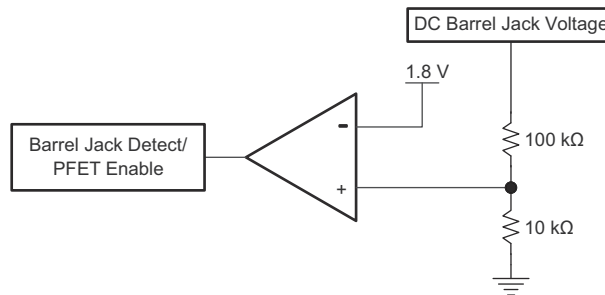


图 10-5. Barrel Jack Detect Comparator

This detect signal is used to determine if the barrel jack is present to support the 20-V PD power contracts and to hand-off charging from barrel jack to Type-C or Type-C to barrel jack. When the DC barrel jack is detected the

TPS65983B at each Type-C port will not request 20 V for charging and the system will be able to support a 20 V source power contract to another device. When the DC Barrel Jack is disconnected the TPS65983B will exit any 20-V source power contract and renegotiate a power contract. When the DC Barrel Jack is connected the TPS65983B will send updated source capabilities and renegotiate a power contract if needed.

The PFET enable will be controlled by the DC barrel jack detect comparator depicted in [Figure 10-5](#). This will allow the system to power up from dead battery through the barrel jack as well as the Type-C ports. [Figure 10-6](#) shows the flow between changing from DC barrel jack charging and USB-PD charging. The example uses back-to-back PFETs for disabling and enabling the power path for the DC Barrel Jack. It is important to use PFETs that are rated above the specified parameters to ensure robustness of the system. The DC Barrel Jack voltage in this design is assumed to be 20 V at 5 A, so the PFETs are recommended to be rated at a minimum of 30 V and 10 A of current.

The TPS65983B in this design also provides the GPIO control for the PFET gate drive that passes the DC Barrel Jack Voltage to the system. [Figure 10-6](#) shows the flow between changing from DC Barrel Jack charging and Type-C PD charging.

10.2.2.2.4 TPS65983B Dead Battery Support Primary and Secondary Port

The TPS65983B supports dead battery functionality to be able to power up from the Type-C port. This design supports dead battery using the PP_EXT path, where RPD_G1/2 and CC1/2 are connected respectively, and BUSPOWERZ is connected to GND to path 5-V VBUS into the system through the PP_EXT path. The TPS65983B will soft-start the PP_EXT (or PP_HV) path in order to comply with USB2.0 inrush current requirements. In order to enable PD functionality the TPS65983B must boot the application firmware from the flash. For the primary TPS65983B, once VBUS is detected at 5 V it will automatically start to load the application firmware from the flash. The TPS65983B will then be able to communicate over PD and establish a power contract at the required 20 V. [Figure 10-7](#) shows the boot up sequence of the primary TPS65983B.

When the TPS65983B that is not connected to the flash is connected in dead battery it will pass the 5 V from VBUS in to the battery charger where the battery would be able to generate the needed system 3.3-V rail to both of the TPS65983Bs. Once the primary TPS65983B has a valid 3.3-V supply (VBUS = 0 V on Primary TPS65983B) it will load the application firmware from the flash and pass it to the secondary TPS65983B that is connected. Once the secondary TPS65983B has loaded the application firmware over UART it will be able to negotiate a 20-V power contract. [Figure 10-8](#) shows the dead battery sequence of the secondary TPS65983B.

10.2.2.2.5 Debugging Methods

The TPS65983B has methods of de-bugging a Type-C and PD system. In addition to the resistances recommended in [I²C \(I2C\)](#), [Debug Control \(DEBUG_CTL\)](#), and [Single-Wire Debugger \(SWD Resistors\)](#), additional series resistors are used for de-bugging. The two I²C channels allow a designer to check the system state through the Host Interface Specification. By attaching 0-Ω series resistors between the I²C master and the TPS65983B and additionally adding 0-Ω series resistors between the TPS65983B and test points, a multi-master scenario can be avoided. This allows breaking the connection between the I²C channels and the system to allow I²C access to the TPS65983B from an external tool. A header is used to allow for connections without soldering; however, SMT test pads can be used to provide a place to solder *blue-wires* for testing.

Exposing the SWD_DAT and SWD_CLK pins will allow for more advanced de-bugging if needed. A header or SMT test point is also used for the SWD_DATA and SWD_CLK pins.

10.2.2.3 Application Curves

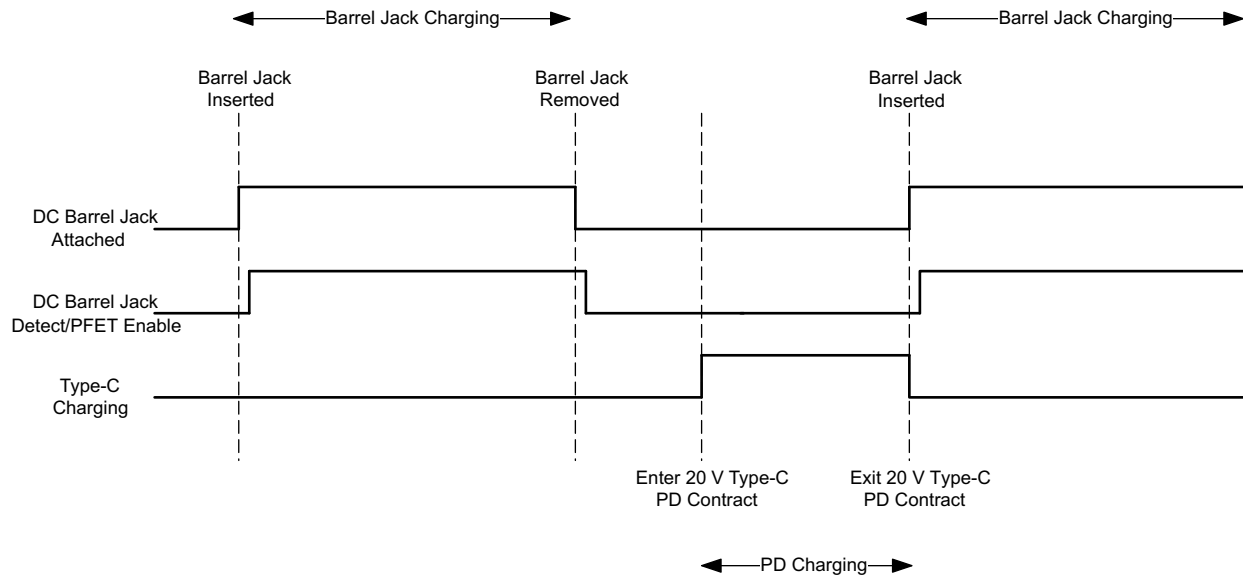


图 10-6. DC Barrel Jack and Type-C PD Charging Hand-Off

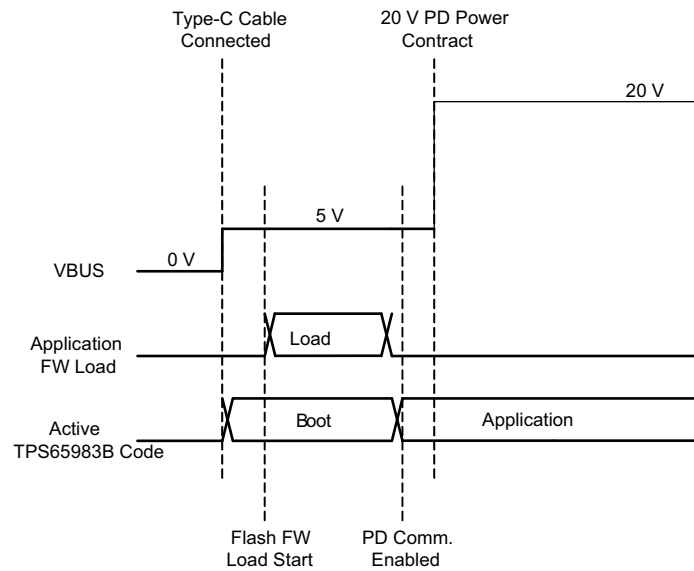


图 10-7. Primary TPS65983B Dead Battery Sequence

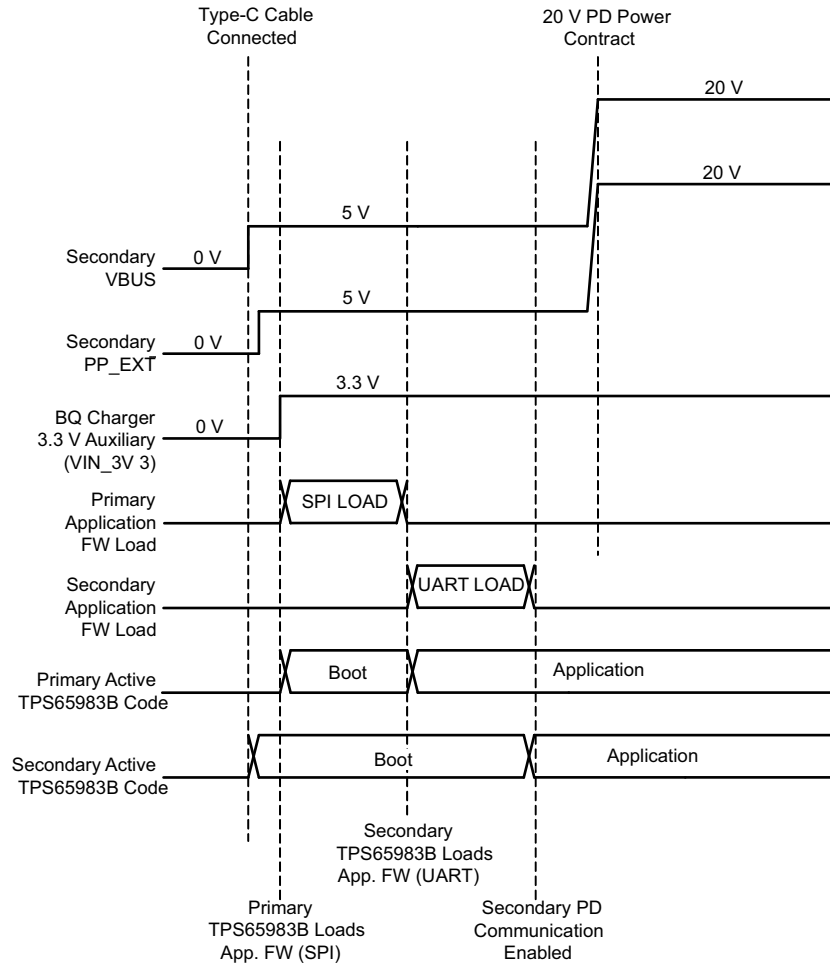


图 10-8. Secondary TPS65983B Dead Battery Sequence

11 Power Supply Recommendations

11.1 3.3 V Power

11.1.1 VIN_3V3 Input Switch

The VIN_3V3 input is the main supply to the TPS65983B. The VIN_3V3 switch (S1 in [图 9-40](#)) is a unidirectional switch from VIN_3V3 to LDO_3V3, not allowing current to flow backwards from LDO_3V3 to VIN_3V3. This switch is on when 3.3 V is available. See [表 11-1](#) for the recommended external capacitance on the VIN_3V3 pin.

11.1.2 VOUT_3V3 Output Switch

The VOUT_3V3 output switch (S2 in [图 9-40](#)) enables a low-current auxiliary supply to an external element. This switch is controlled by and is off by default. The VOUT_3V3 output has a supervisory circuit that drives the RESETZ output as a POR signal to external elements. RESETZ is also asserted by the MRESET pin or a host controller. See the [RESETZ and MRESET](#) section for more details on RESETZ. See [表 11-1](#) for the recommended external capacitance on the VOUT_3V3 pin.

11.1.3 VBUS 3.3 V LDO

The 3.3 V LDO from VBUS steps down voltage from VBUS to LDO_3V3. This allows the TPS65983B to be powered from VBUS when VIN_3V3 is not available. This LDO steps down any recommended voltage on the VBUS pin. When VBUS is 20 V, as is allowable by USB PD, the internal circuitry of the TPS65983B will operate without triggering thermal shutdown; however, a significant external load on the LDO_3V3 pin can increase temperature enough to trigger thermal shutdown. The VBUS 3.3 V LDO blocks reverse current from LDO_3V3 back to VBUS allowing VBUS to be unpowered when LDO_3V3 is driven from another source. See [表 11-1](#) for the recommended external capacitance on the VBUS and LDO_3V3 pins.

11.2 1.8 V Core Power

Internal circuitry is powered from 1.8 V. There are two LDOs that step the voltage down from LDO_3V3 to 1.8 V. One LDO powers the internal digital circuits. The other LDO powers internal low voltage analog circuits.

11.2.1 1.8 V Digital LDO

The 1.8 V Digital LDO provides power to all internal low voltage digital circuits. This includes the digital core, memory, and other digital circuits. See [表 11-1](#) for the recommended external capacitance on the LDO_1V8D pin.

11.2.2 1.8 V Analog LDO

The 1.8 V Analog LDO provides power to all internal low voltage analog circuits. See [表 11-1](#) for the recommended external capacitance on the LDO_1V8A pin.

11.3 VDDIO

The VDDIO pin provides a secondary input allowing some I/Os to be powered by a source other than LDO_3V3. The default state is power from LDO_3V3. The memory stored in the flash will configure the I/O's to use LDO_3V3 or VDDIO as a source and application code will automatically scale the input and output voltage thresholds of the I/O buffer accordingly. See [I/O Buffers](#) for more information on the I/O buffer circuitry. See [表 11-1](#) for the recommended external capacitance on the VDDIO pin.

11.3.1 Recommended Supply Load Capacitance

[表 11-1](#) lists the recommended board capacitances for the various supplies. The typical capacitance is the nominally rated capacitance that must be placed on the board as close to the pin as possible. The maximum capacitance must not be exceeded on pins for which it is specified. The minimum capacitance is minimum capacitance allowing for tolerances and voltage de-rating ensuring proper operation.

表 11-1. Recommended Supply Load Capacitance

PARAMETER	DESCRIPTION	VOLTAGE RATING	CAPACITANCE		
			MIN (ABS MIN)	TYP (TYP PLACED)	MAX (ABS MAX)
CVIN_3V3	Capacitance on VIN_3V3	6.3 V	5 μ F	10 μ F	
CLDO_3V3	Capacitance on LDO_3V3	6.3 V	5 μ F	10 μ F	25 μ F
CVOUT_3V3	Capacitance on VOUT_3V3	6.3 V	0.1 μ F	1 μ F	2.5 μ F
CLDO_1V8D	Capacitance on LDO_1V8D	4 V	500 nF	2.2 μ F	12 μ F
CLDO_1V8A	Capacitance on LDO_1V8A	4 V	500 nF	2.2 μ F	12 μ F
CLDO_BMC	Capacitance on LDO_BMC	4 V	1 μ F	2.2 μ F	4 μ F
CVDDIO	Capacitance on VDDIO. When shorted to LDO_3V3, the CLDO_3V3 capacitance may be shared.	6.3 V	0.1 μ F	1 μ F	
CVBUS	Capacitance on VBUS 1	25 V	0.5 μ F	1 μ F	12 μ F
CPP_5V0	Capacitance on PP_5V0	10 V	2.5 μ F	4.7 μ F	
CPP_HV	Capacitance on PP_HV (Source to VBUS)	25 V	2.5 μ F	4.7 μ F	
	Capacitance on PP_HV (Sink from VBUS)	25 V		47 μ F	120 μ F
CPP_CABLE	Capacitance on PP_CABLE. When shorted to PP_5V0, the CPP_5V0 capacitance may be shared.	10 V	2.5 μ F	4.7 μ F	
CPP_HVEXT	Capacitance on external high voltage source to VBUS	25 V	2.5 μ F	4.7 μ F	
	Capacitance on external high voltage sink from VBUS	25 V		47 μ F	120 μ F
CSS	Capacitance on soft start pin	6.3 V		470 nF	

11.3.2 Schottky for Current Surge Protection

To prevent the possibility of large ground currents into the TPS65983B during sudden disconnects due to inductive effects in a cable, it is recommended that a Schottky be placed from VBUS to GND as shown in 图 11-1. The NSR20F30NXT5G is recommended.

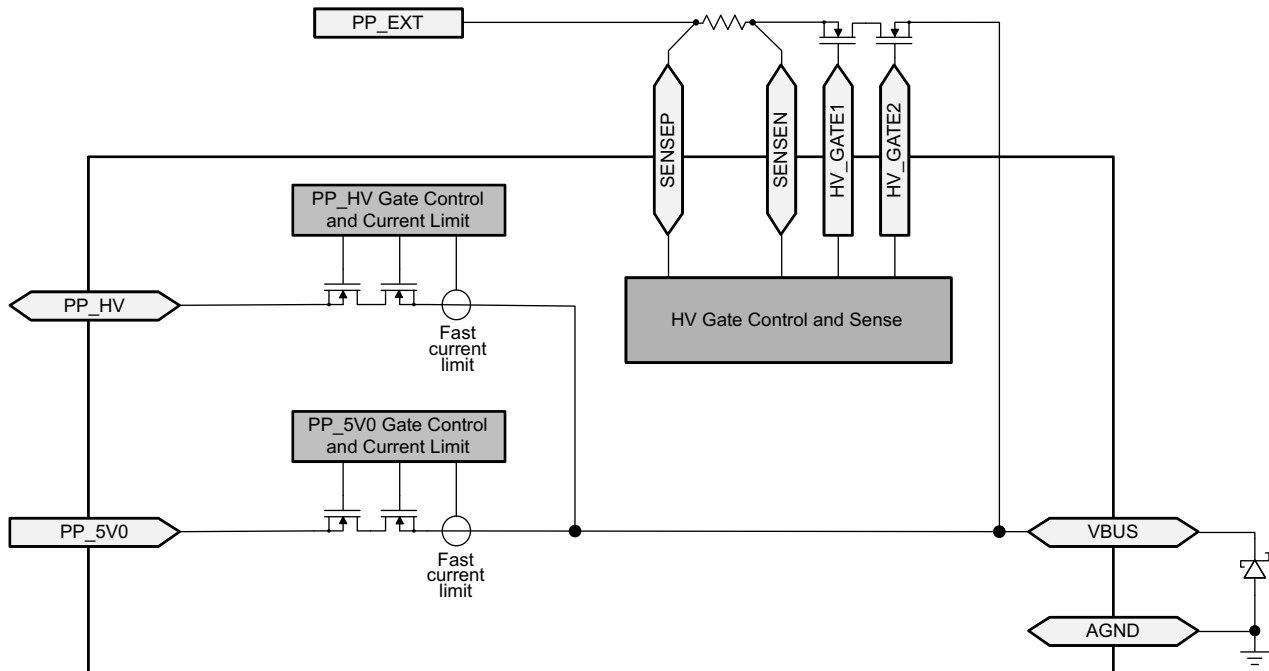


图 11-1. Schottky on VBUS for Current Surge Protection

12 Layout

12.1 Layout Guidelines

Proper routing and placement will maintain signal integrity for high-speed signals and improve the thermal dissipation from the TPS65983B power path. The combination of power and high-speed data signals are easily routed if the following guidelines are followed. It is a best practice to consult with a printed circuit board (PCB) manufacturer to verify manufacturing capabilities.

12.1.1 TPS65983B Recommended Footprints

12.1.1.1 Standard TPS65983B Footprint (Circular Pads)

图 12-1 shows the TPS65983B footprint using a 0.25mm pad diameter. This footprint is applicable to boards that will be using an HDI PCB process that uses smaller vias to fan-out into the inner layers of the PCB. This footprint requires via fill and tenting and is recommended for size-constrained applications. The circular footprint allows for easy fan-out into other layers of the PCB and better thermal dissipation into the GND planes. 图 12-2 shows the recommended via sizing for use under the balls. The size is 5mil hole and 10mil diameter. This via size will allow for approximately 1.5A current rating at 3 mΩ of DC resistance with 1.6nH of inductance. It is recommended to verify these numbers with board manufacturing processes used in fabrication of the PCB. This footprint is available for download on the on the [TPS65983B product folder](#).

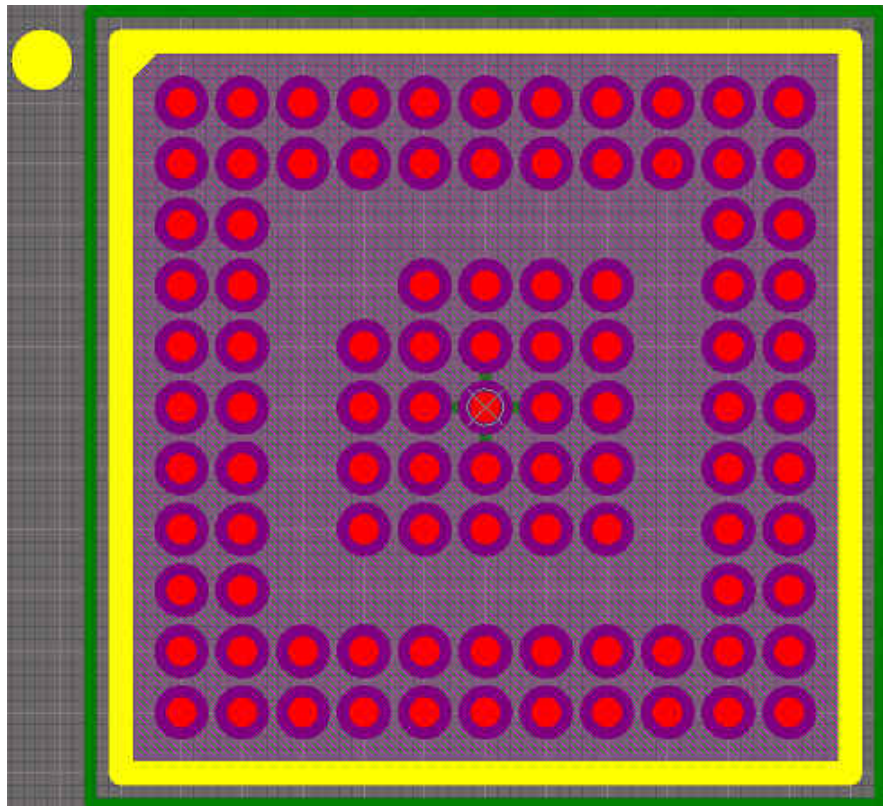


图 12-1. Top View Standard TPS65983B Footprint (Circular Pads)



图 12-2. Under Ball Recommended Via Size

12.1.2 Alternate TPS65983B Footprint (Oval Pads)

图 12-3 shows the TPS65983B footprint using oval-shaped pads in specific locations. This allows the PCB designer to route the inner perimeter balls through the top layer. The balls around the perimeter have their pads in an oval shape with the exception of the corner balls. 图 12-4 shows the sizing for the oval pads, 0.25 mm by 0.17 mm. All of the other non-oval shaped pads will have a 0.25 mm diameter. This footprint is recommended for MDI (Medium Density) PCB designs that are generally less expensive to build. The void under the TPS65983B allows for vias to route the inner signals and connect to the GND and power planes. 图 12-5 shows the recommended minimum via size (8mil hole and 16 mil diameter). The recommended 8mil vias will be rated for approximately 1.8 A of DC current and 1.5 mΩ of resistance with 1.3 nH of inductance. Some board manufactures may offer 6mil hole and 12 mil diameter vias with a mechanical drill. This footprint is available for download on the [TPS65983B product folder](#).

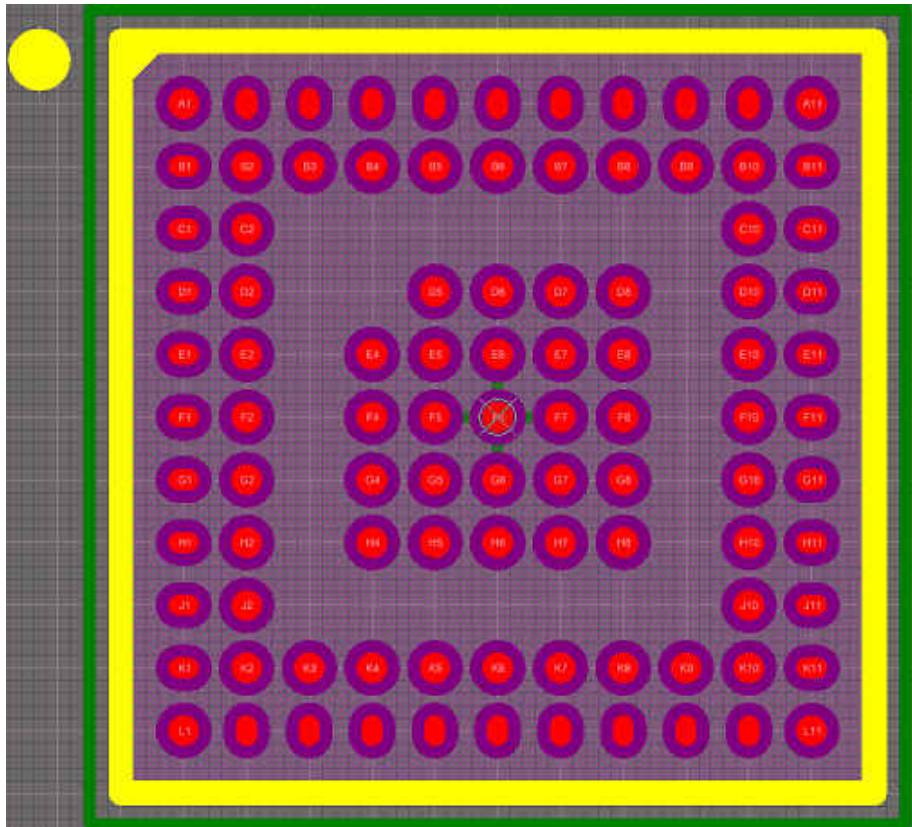


图 12-3. Top View Alternate TPS65983B Footprint (Oval Pads)

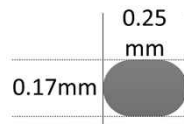


图 12-4. Oval Pad Sizing



图 12-5. Recommended Minimum Via Sizing

12.1.3 Top TPS65983B Placement and Bottom Component Placement and Layout

When the TPS65983B is placed on top and its components on bottom the solution size will be at its smallest. For systems that do not use the optional external FET path the solution size will average less than 64 mm² (8 mm × 8 mm). Systems that implement the optional external FET path will average a solution size of less than 100 mm² (10 mm × 10 mm). These averages will vary with component selection (NFETs, Passives, and other components). Selection of the oval pad TPS65983B footprint or standard TPS65983B footprint will allow for similar results.

12.1.4 Oval Pad Footprint Layout and Placement

The oval pad footprint layout is generally more difficult to route than the standard footprint due to the top layer fan-out and void via placement needed; however, when the footprint with oval pads is used, “Via on Pads,” laser-drilled vias, and HDI board processes are not required. Therefore, a footprint with oval pads is ideal for cost-optimized applications and will be used for the following the layout example. This layout example follows the charger application example (see [Typical Application](#)) and includes all necessary passive components needed for this application. This design uses both the internal and optional external FET paths for sourcing and sinking power respectively. Follow the differential impedances for High Speed signals defined by their specifications (DisplayPort - AUXN/P and USB2.0). All I/O will be fanned out to provide an example for routing out all pins, not all designs will use all of the I/O on the TPS65983B.

12.1.5 Component Placement

Placement of components on the top and bottom layers is used for this example to minimize solution size. The TPS65983B is placed on the top layer of the board and the majority of its components are placed on the bottom layer. When placing the components on the bottom layer, TI recommends placing components directly under the TPS65983B in a manner where the pads of the components are not directly under the void on the top layer. [图 12-6](#) and [图 12-7](#) show the placement in 2-D. [图 12-8](#) and [图 12-9](#) show the placement in 3-D.

12.1.6 Designs Rules and Guidance

When starting to route nets it is best to start with 4 mil clearance spacing. The designer may have to adjust the 4mil clearance to 3.5 mil when fanning out the top layer routes. With the routing of the top layer having a tight clearance, it is recommended to have the layout grid snapped to 1 mil. For certain routes on the layout done in this guide, the grid snap was set to 0.1 mil. For component spacing this design used 20 mil clearance between components. The silk screen around certain passive components may be deleted to allow for closer placement of components.

12.1.7 Routing PP_HV, PP_EXT, PP_5V0, and VBUS

On the top layer, create pours for PP_HV, PP_5V0 and VBUS to extend area to place 8 mil hole and 16 mil diameter vias to connect to the bottom layer. A minimum of 4 vias is needed to connect between the top and bottom layer. For the bottom layer, place pours that will connect the PP_HV, PP_5V0, and VBUS capacitors to their respective vias. The external FETS must also be connected through pours and place vias for the external FET gates. For 5 A systems, special consideration must be taken for ensuring enough copper is used in order to handle the higher current. For 0.5 oz copper top or bottom pours with 0.5-oz plating will require approximately a 120-mil pour width for 5-A support. When routing the 5 A through a 0.5 oz internal layer, more than 200 mil will be required to carry the current. [图 12-10](#) and [图 12-11](#) show the pours used in this example.

12.1.8 Routing Top and Bottom Passive Components

The next step is to route the connections to the passive components on the top and bottom layers. For the top layer only CC1 and CC2 capacitors will be placed on top. Routing the CC1 and CC2 lines with a 8 mil trace will facilitate the needed current for supporting powered Type C cables through VCONN. For more information on VCONN please refer to the Type C specification. [图 12-12](#) shows how to route to the CC1 and CC2 to their respective capacitors. For capacitor GND pin use a 10 mil trace if possible. This particular system support Dead Battery, which has RPD_G1/2 connected to CC1/2.

The top layer pads will have to be connected the bottom placed component through Vias (8 mil hole and 16 mil diameter recommended). For the VIN_3V3, VDDIO, LDO_3V3, LDO_1V8A, LDO1V8D, LDO_BMC, and

VOUT_3V3 use 6mil traces to route. For PP_CABLE route using an 8 mil trace and for all other routes 4 mil traces may be used. To allow for additional space for routing, stagger the component vias to leave room for routing other signal nets. 图 12-13 and 图 12-14 show the top and bottom routing. 表 12-1 provides a summary of the trace widths.

表 12-1. Routing Trace Widths

ROUTE	WIDTH (mil)
CC1, CC2, PP_CABLE	8
LDO_3V3, LDO_1V8A, LDO_1V8D, LDO_BMC, VIN_3V3, VOUT_3V3, VDDIO, HV_GATE1, HV_GATE2	6
Component GND	10

12.1.9 Void Via Placement

The void under the TPS65983B is used to via out I/O and for thermal relief vias. A minimum of 6 vias must be used for thermal dissipation to the GND planes. The thermal relief vias must be placed on the right side of the device by the power path. 图 12-15 shows the recommended placement of the vias. Note the areas under the void where vias are not placed. This is done in order to allow the external FET gate drive and sense pins to route under the TPS65983B through an inner layer. 图 12-16 shows the top layer GND pour to connect the vias and GND balls together.

12.1.10 Top Layer Routing

Once the components are routed, the rest of the area can be used to route all of the additional I/O. After all nets have been routed place a polygonal pour under to connect the TPS65983B GND pins to the GND vias. Refer to 图 12-17 for the final top routing and GND pour.

12.1.11 Inner Signal Layer Routing

The inner signal layer is used to route the I/O from the internal balls of the TPS65983B device and the external FET control and sensing. 图 12-18 shows how to route the internal layer.

12.1.12 Bottom Layer Routing

The bottom layer has most of the components placed and routed already. Place a polygon pour to connect all of the GND nets and vias on the bottom layer, refer to 图 12-19.

12.2 Layout Example

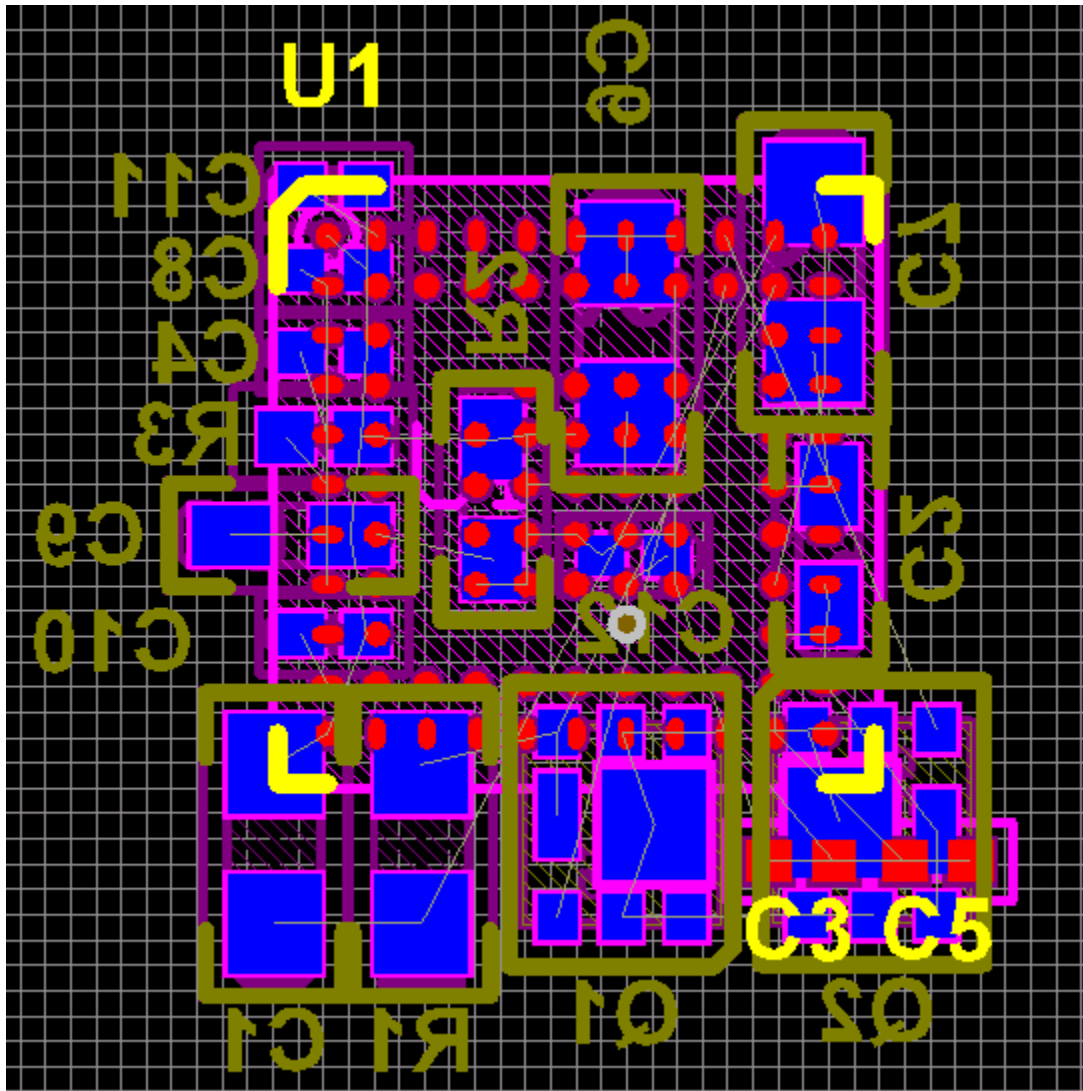


图 12-6. Example Layout (Top View in 2-D)

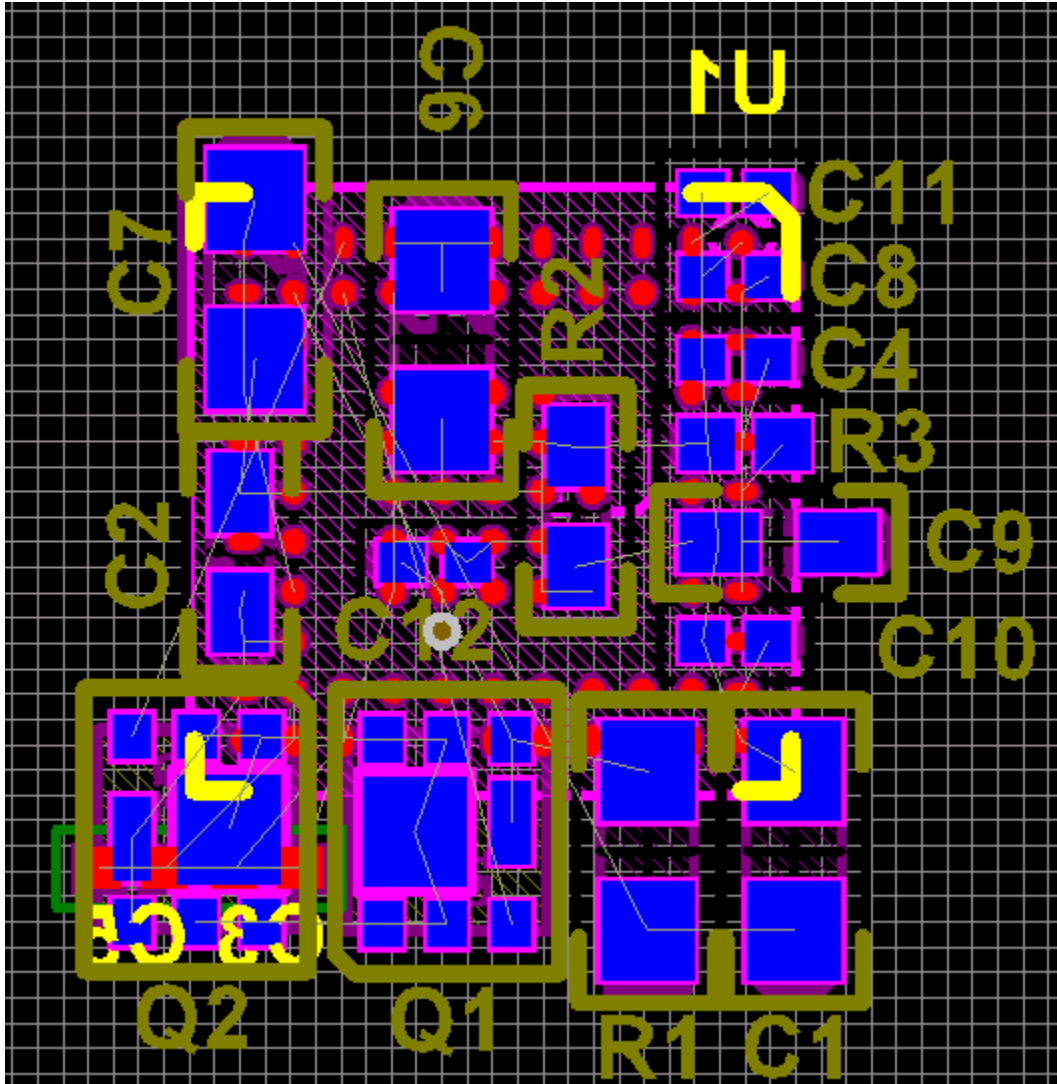


图 12-7. Example Layout (Bottom View in 2-D)

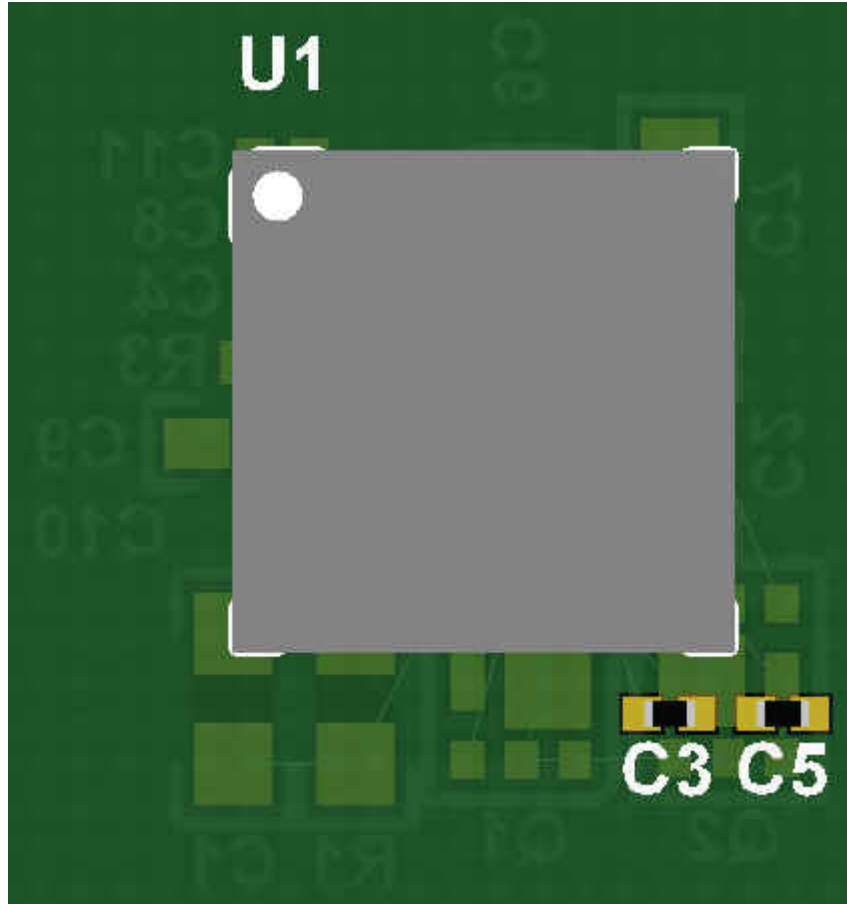


图 12-8. Example Layout (Top View in 3-D)

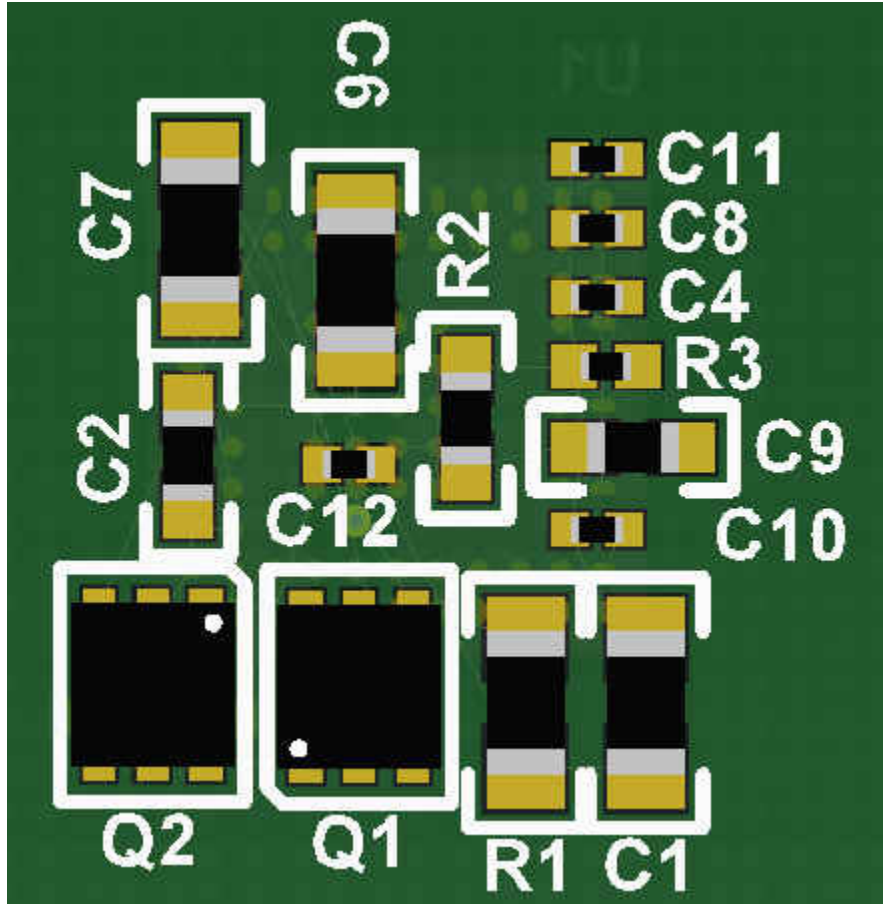


图 12-9. Example Layout (Bottom View in 3-D)

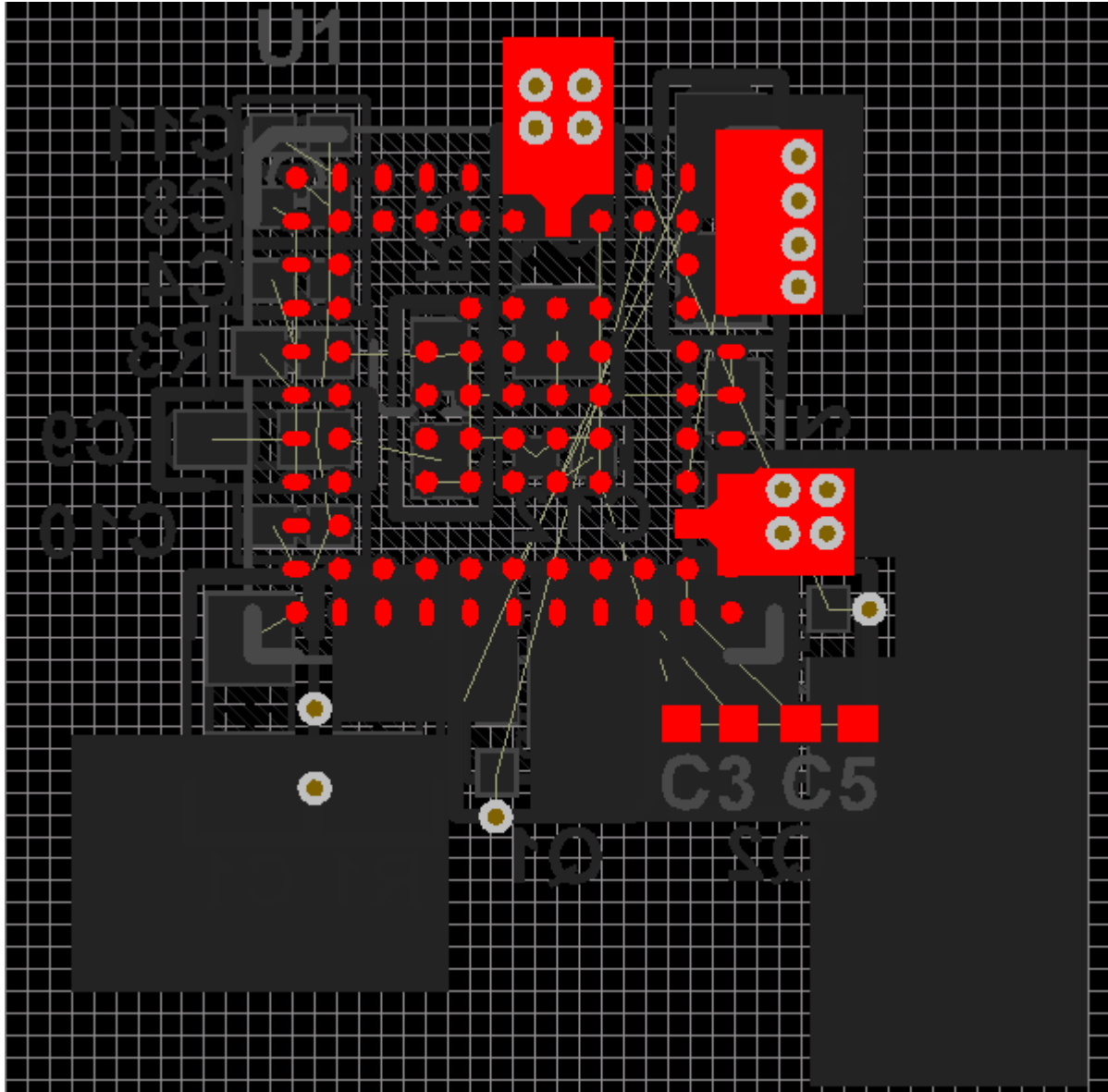


图 12-10. Top Polygonal Pours

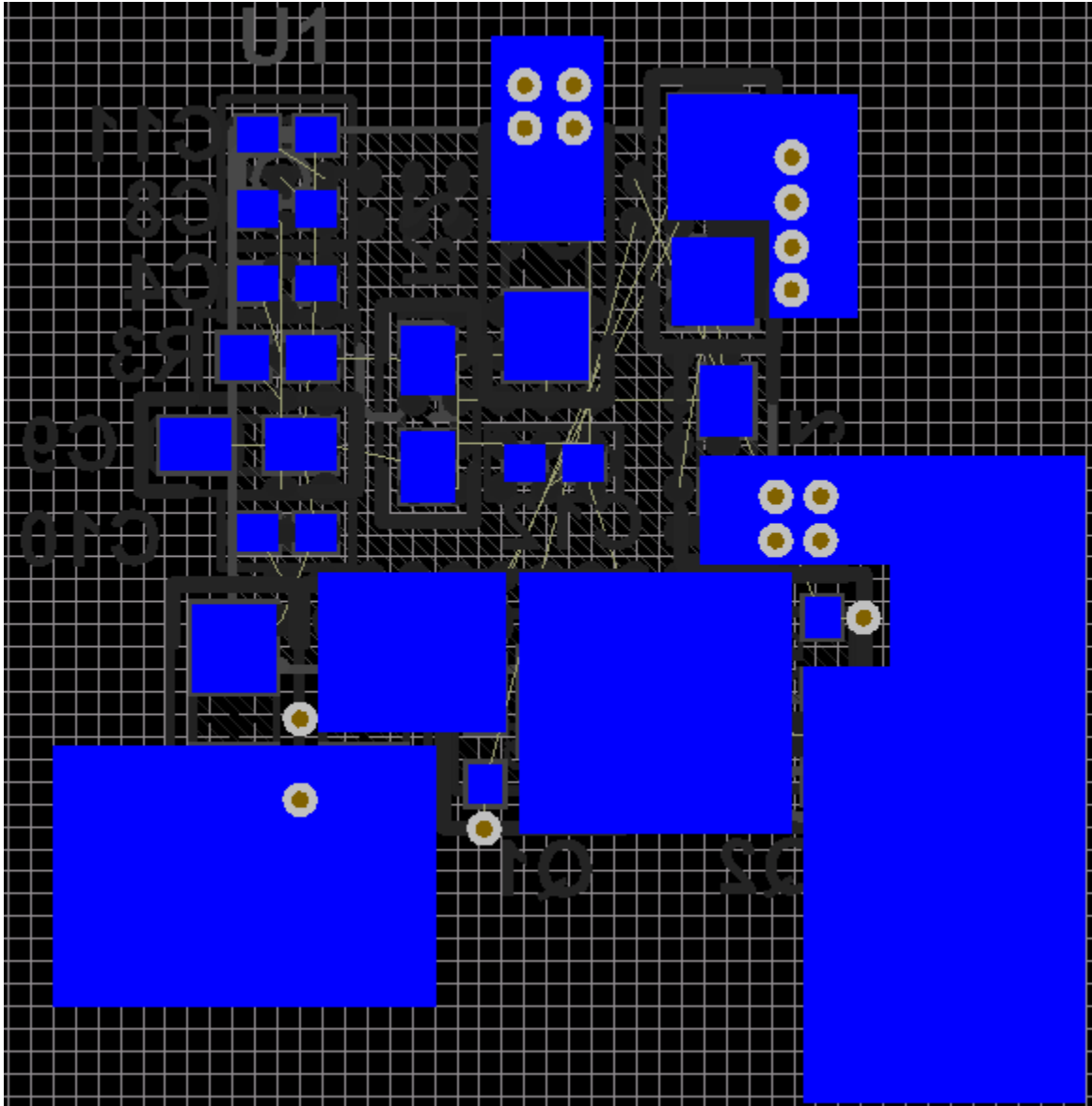


图 12-11. Bottom Polygonal Pours

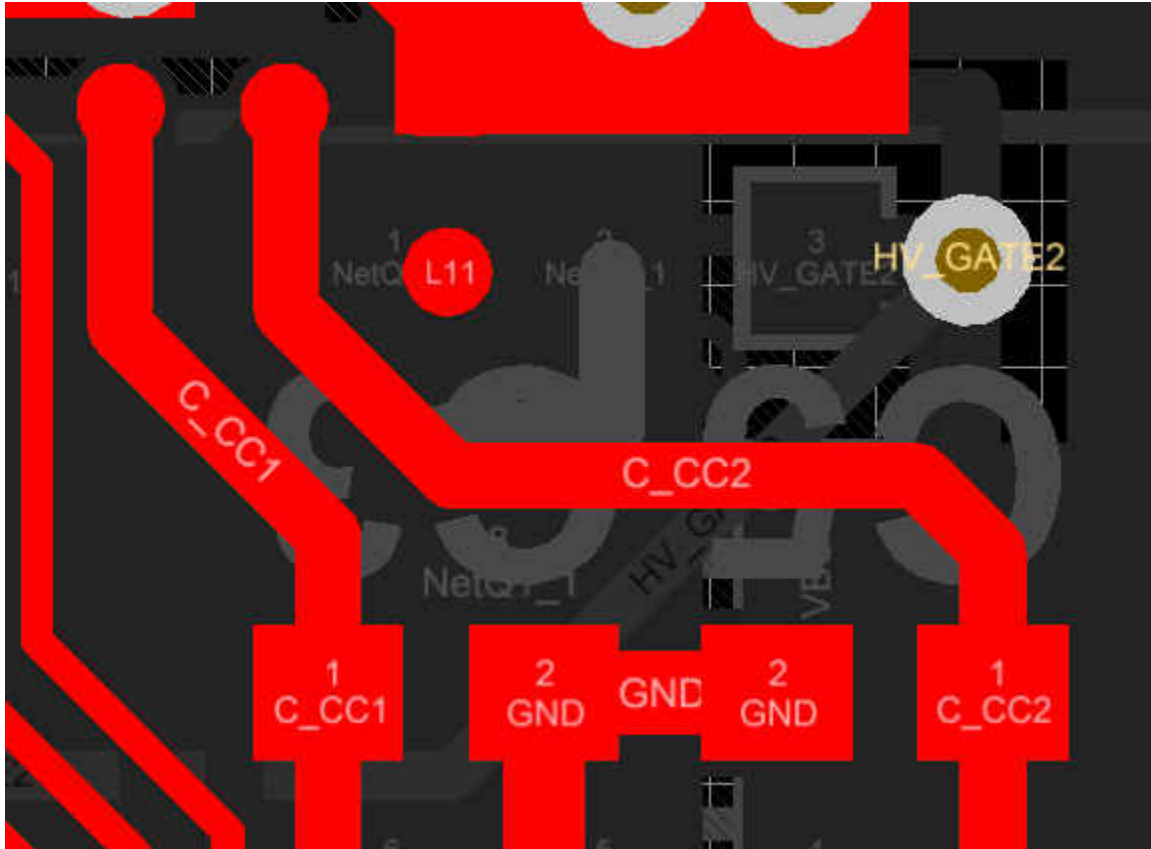


图 12-12. CC1 and CC2 Capacitor Routing

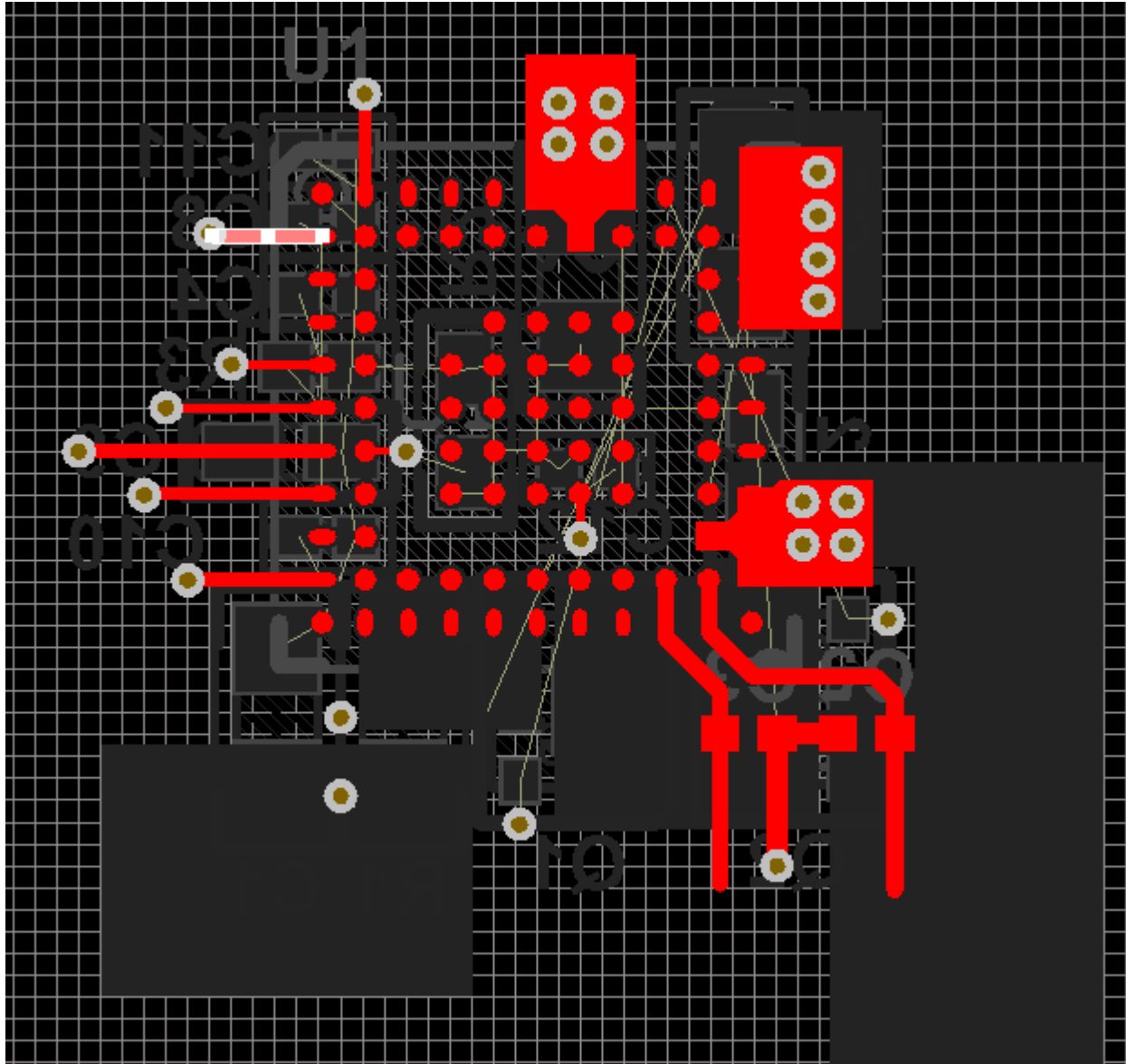


图 12-13. Top Layer Component Routing

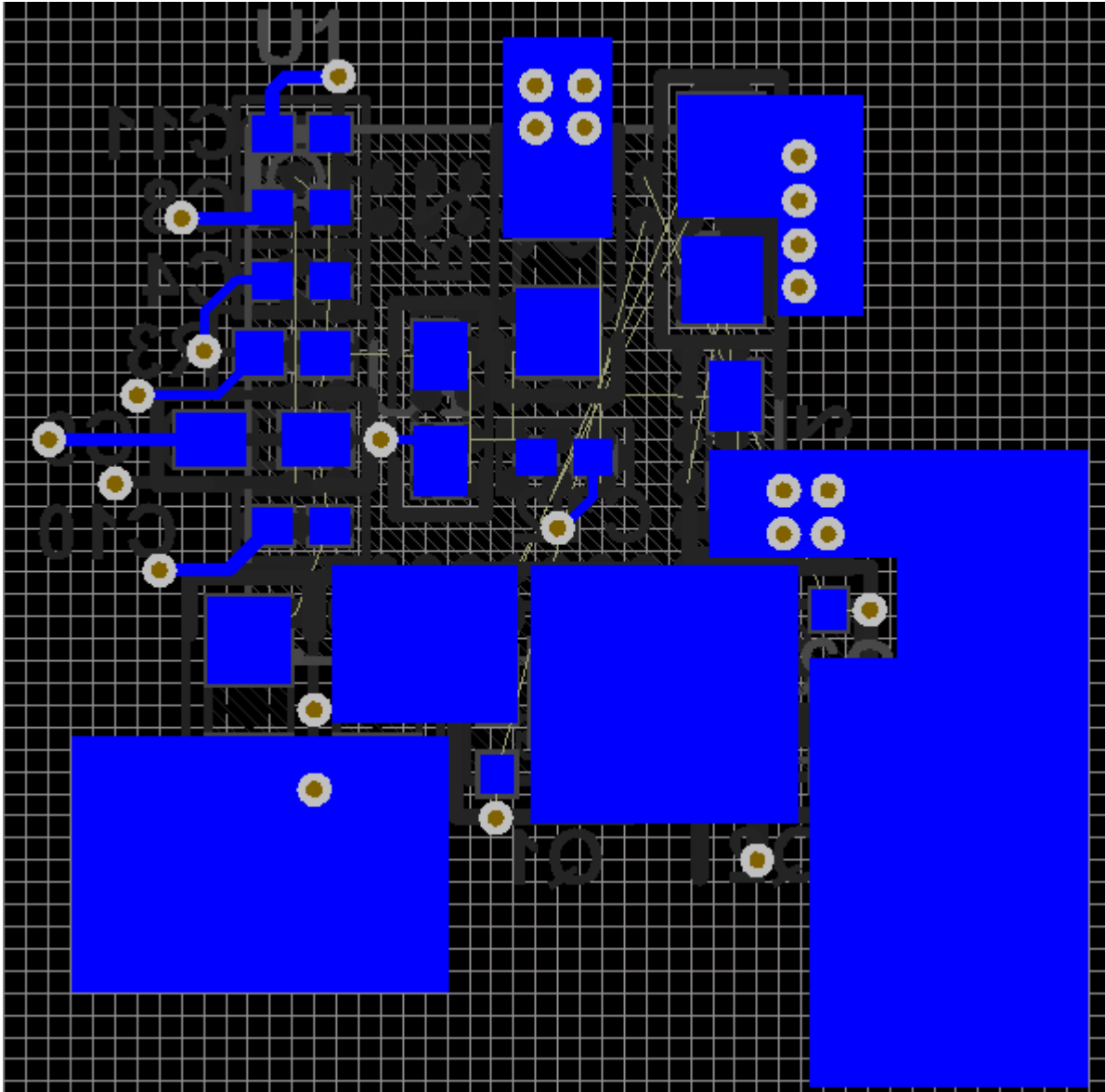


图 12-14. Bottom Layer Component Routing

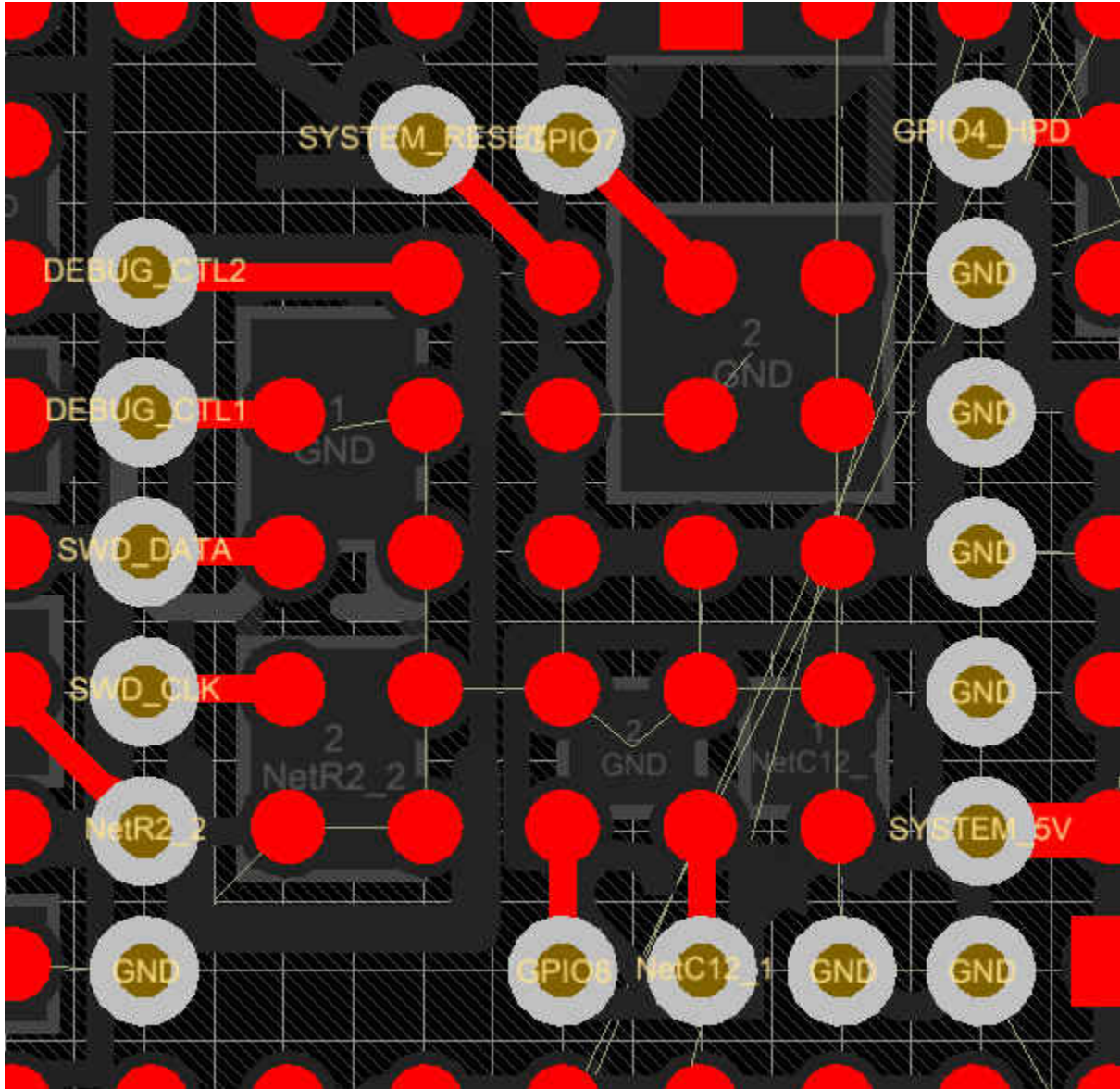


图 12-15. Void Via Placement

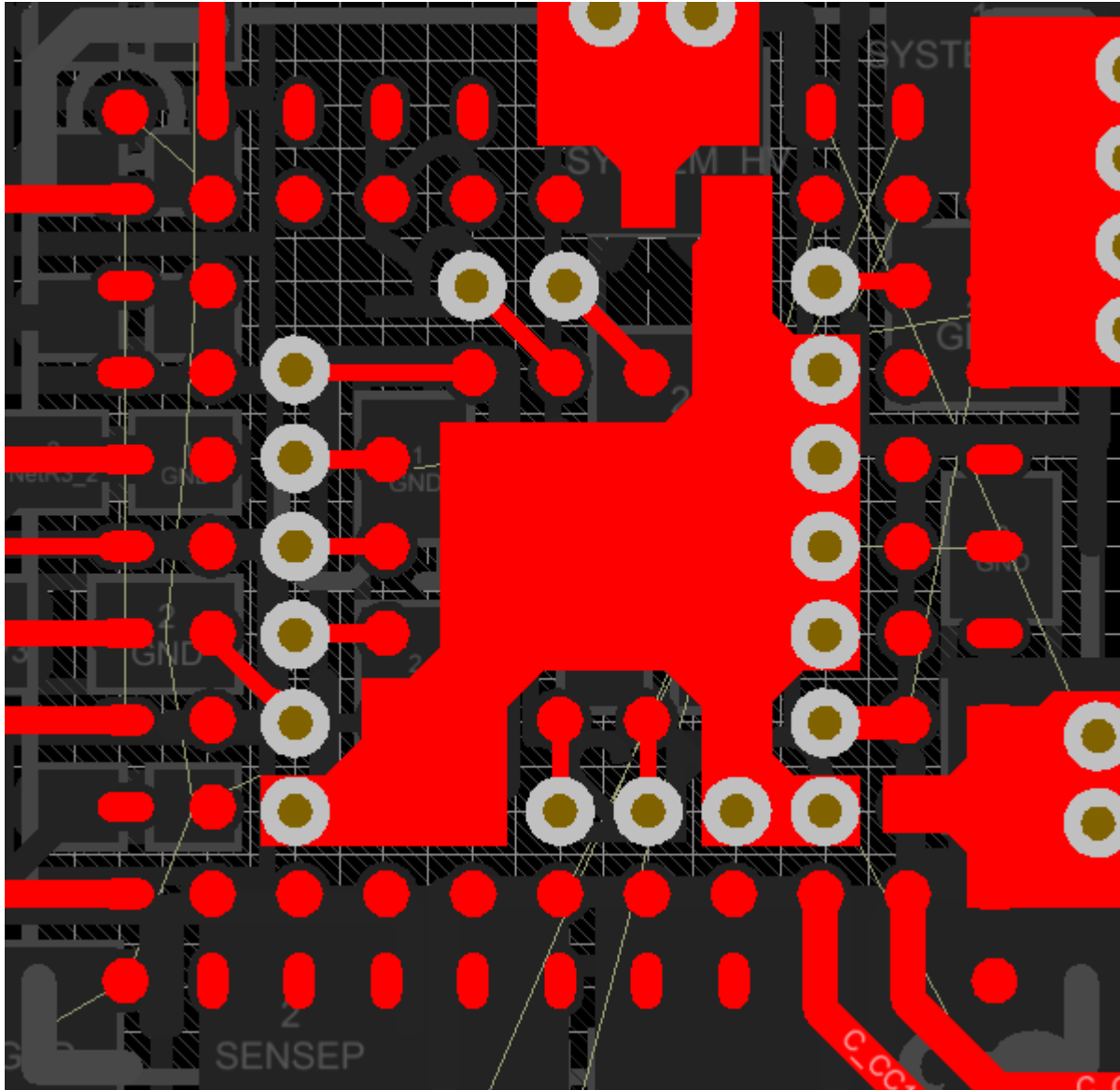


图 12-16. Top Layer GND Pour

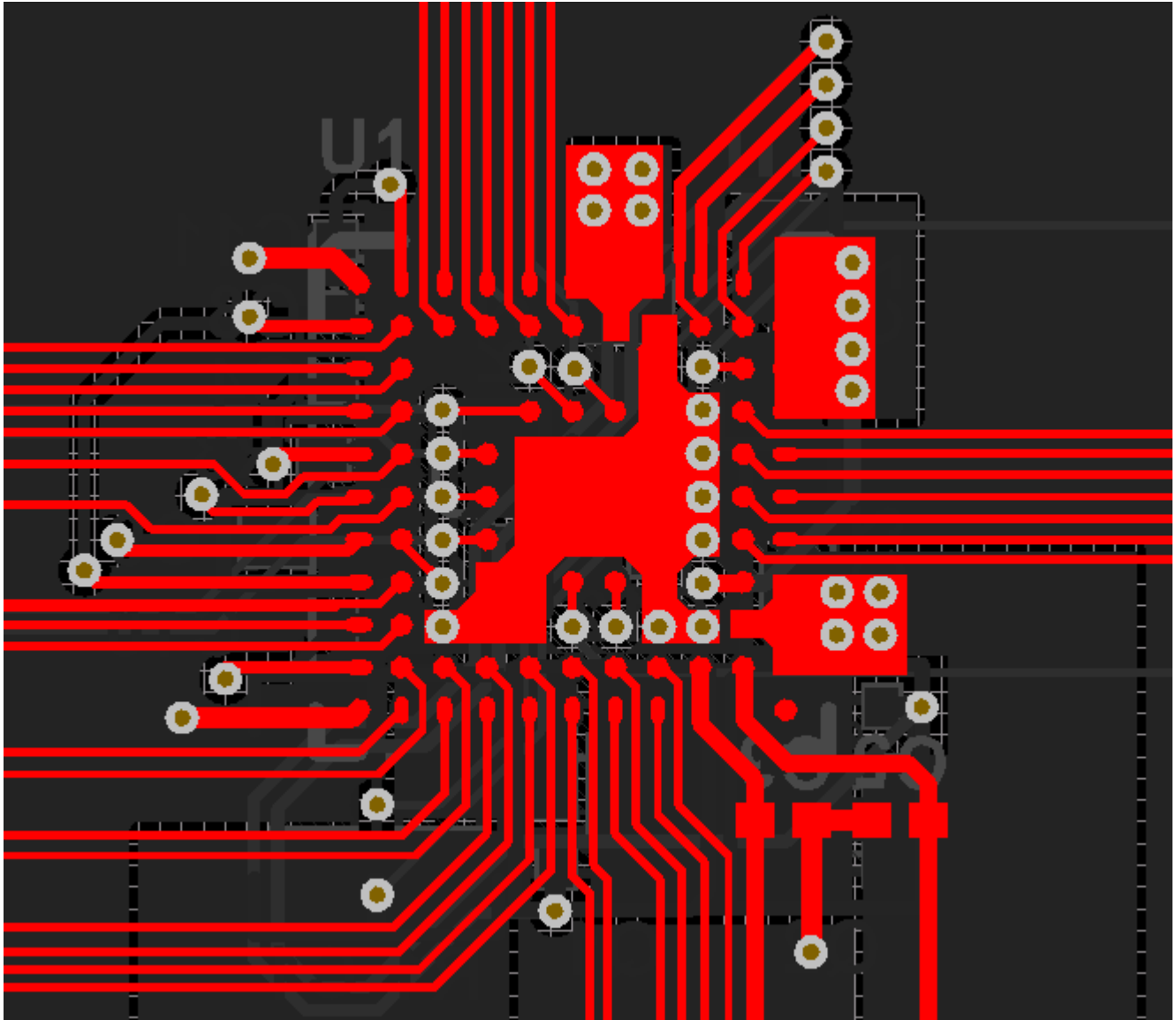


图 12-17. Final Routing and GND Pour (Top Layer)

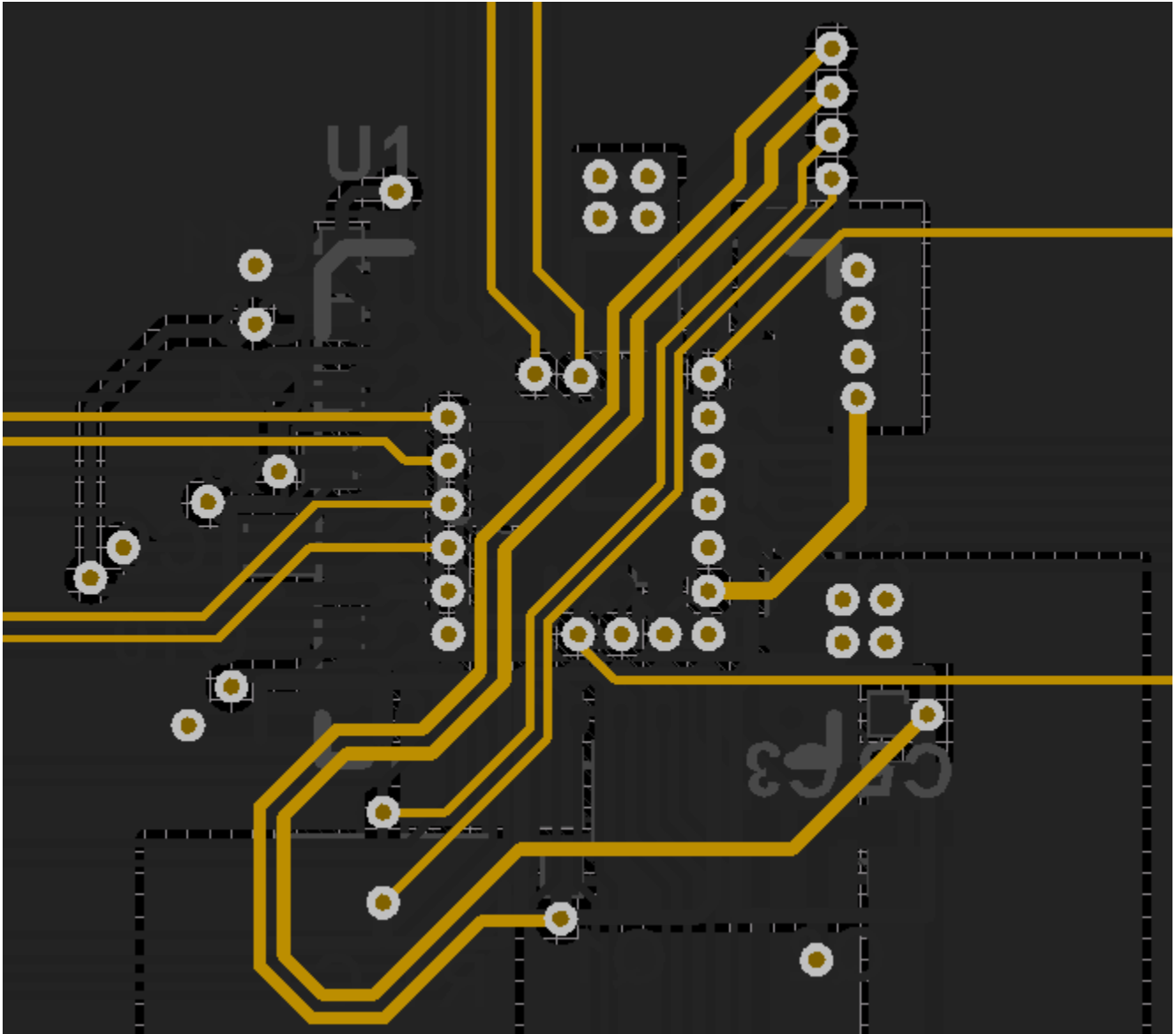


图 12-18. Final Routing (Inner Signal Layer)

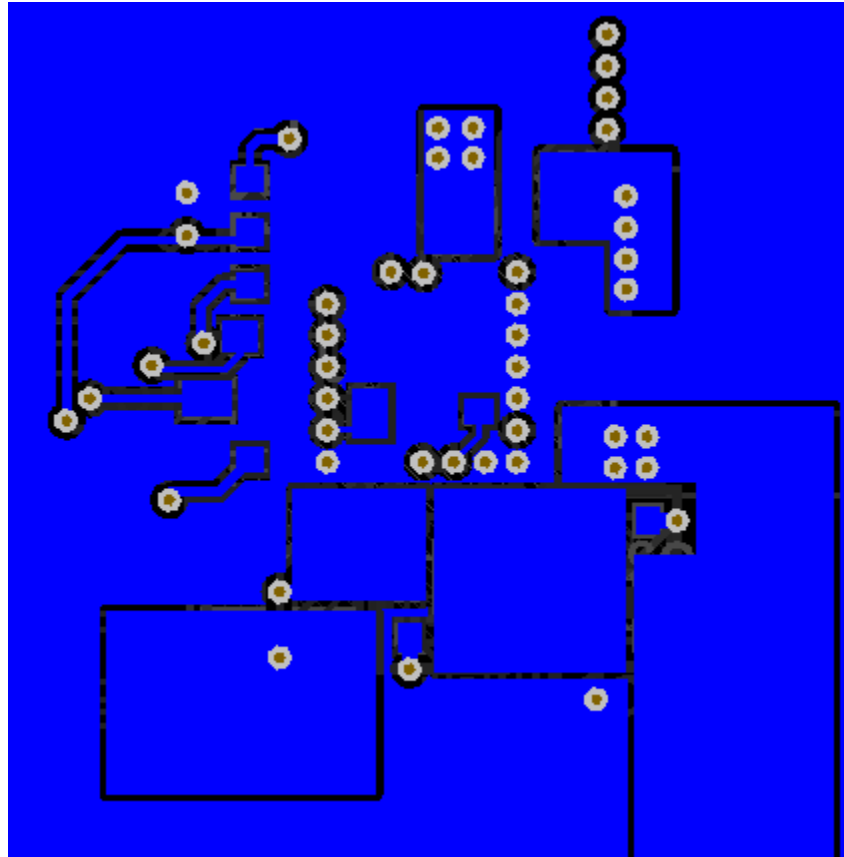


图 12-19. Final Routing (Bottom Layer)

13 Device and Documentation Support

13.1 Device Support

13.1.1 Development Support

For the TPS65983 IBIS Model go to <http://www.ti.com/product/TPS65983/toolssoftware>

13.2 Documentation Support

13.2.1 Related Documentation

- Texas Instruments, [TPS65983 Evaluation Module user's guide](#)
- NSR20F30NXT5G *Schottky Barrier Diode* data sheet, http://www.onsemi.com/pub_link/Collateral/NSR20F30-D.PDF
- *USB Battery Charging Specification*, Revision 1.2 (December 7th, 2010)
- *USB Power Delivery Specification*, Revision 2.0, V1.1 (May 7th, 2015), <http://www.usb.org/developers/docs/>
- *USB Type-C Specification* Release 1.1 (April 3rd, 2015), <http://www.usb.org/developers/usbtpec/>
- *W25Q80 8M-Bit, 16M-Bit and 32M-Bit Serial Flash Memory With Dual and Quad SPI*, <http://www.elinux.org/images/f/f5/Winbond-w25q32.pdf>

13.3 接收文档更新通知

要接收文档更新通知，请导航至 ti.com 上的器件产品文件夹。点击 [订阅更新](#) 进行注册，即可每周接收产品信息更改摘要。有关更改的详细信息，请查看任何已修订文档中包含的修订历史记录。

13.4 支持资源

[TI E2E™ 支持论坛](#) 是工程师的重要参考资料，可直接从专家获得快速、经过验证的解答和设计帮助。搜索现有解答或提出自己的问题可获得所需的快速设计帮助。

链接的内容由各个贡献者“按原样”提供。这些内容并不构成 TI 技术规范，并且不一定反映 TI 的观点；请参阅 TI 的《[使用条款](#)》。

13.5 Trademarks

TI E2E™ is a trademark of Texas Instruments.

USB Type-C® is a registered trademark of USB Implementers Forum.

所有商标均为其各自所有者的财产。

13.6 Electrostatic Discharge Caution



This integrated circuit can be damaged by ESD. Texas Instruments recommends that all integrated circuits be handled with appropriate precautions. Failure to observe proper handling and installation procedures can cause damage.

ESD damage can range from subtle performance degradation to complete device failure. Precision integrated circuits may be more susceptible to damage because very small parametric changes could cause the device not to meet its published specifications.

13.7 术语表

[TI 术语表](#) 本术语表列出并解释了术语、首字母缩略词和定义。

14 Mechanical, Packaging, and Orderable Information

The following pages include mechanical, packaging, and orderable information. This information is the most current data available for the designated devices. This data is subject to change without notice and revision of this document. For browser-based versions of this data sheet, refer to the left-hand navigation.

重要声明和免责声明

TI 提供技术和可靠性数据 (包括数据表)、设计资源 (包括参考设计)、应用或其他设计建议、网络工具、安全信息和其他资源, 不保证没有瑕疵且不做任何明示或暗示的担保, 包括但不限于对适销性、某特定用途方面的适用性或不侵犯任何第三方知识产权的暗示担保。

这些资源可供使用 TI 产品进行设计的熟练开发人员使用。您将自行承担以下全部责任: (1) 针对您的应用选择合适的 TI 产品, (2) 设计、验证并测试您的应用, (3) 确保您的应用满足相应标准以及任何其他安全、安保或其他要求。这些资源如有变更, 恕不另行通知。TI 授权您仅可将这些资源用于研发本资源所述的 TI 产品的应用。严禁对这些资源进行其他复制或展示。您无权使用任何其他 TI 知识产权或任何第三方知识产权。您应全额赔偿因在这些资源的使用中对 TI 及其代表造成的任何索赔、损害、成本、损失和债务, TI 对此概不负责。

TI 提供的产品受 TI 的销售条款 (<https://www.ti.com/legal/termsofsale.html>) 或 [ti.com](https://www.ti.com) 上其他适用条款/TI 产品随附的其他适用条款的约束。TI 提供这些资源并不会扩展或以其他方式更改 TI 针对 TI 产品发布的适用的担保或担保免责声明。

邮寄地址: Texas Instruments, Post Office Box 655303, Dallas, Texas 75265
Copyright © 2021, 德州仪器 (TI) 公司

PACKAGING INFORMATION

Orderable part number	Status (1)	Material type (2)	Package Pins	Package qty Carrier	RoHS (3)	Lead finish/ Ball material (4)	MSL rating/ Peak reflow (5)	Op temp (°C)	Part marking (6)
TPS65983BAZBHR	NRND	Production	NFBGA (ZBH) 96	2500 LARGE T&R	Yes	SNAGCU	Level-3-260C-168 HR	-10 to 85	TPS65983BA
TPS65983BAZBHR.A	NRND	Production	NFBGA (ZBH) 96	2500 LARGE T&R	Yes	SNAGCU	Level-3-260C-168 HR	-10 to 85	TPS65983BA

(1) **Status:** For more details on status, see our [product life cycle](#).

(2) **Material type:** When designated, preproduction parts are prototypes/experimental devices, and are not yet approved or released for full production. Testing and final process, including without limitation quality assurance, reliability performance testing, and/or process qualification, may not yet be complete, and this item is subject to further changes or possible discontinuation. If available for ordering, purchases will be subject to an additional waiver at checkout, and are intended for early internal evaluation purposes only. These items are sold without warranties of any kind.

(3) **RoHS values:** Yes, No, RoHS Exempt. See the [TI RoHS Statement](#) for additional information and value definition.

(4) **Lead finish/Ball material:** Parts may have multiple material finish options. Finish options are separated by a vertical ruled line. Lead finish/Ball material values may wrap to two lines if the finish value exceeds the maximum column width.

(5) **MSL rating/Peak reflow:** The moisture sensitivity level ratings and peak solder (reflow) temperatures. In the event that a part has multiple moisture sensitivity ratings, only the lowest level per JEDEC standards is shown. Refer to the shipping label for the actual reflow temperature that will be used to mount the part to the printed circuit board.

(6) **Part marking:** There may be an additional marking, which relates to the logo, the lot trace code information, or the environmental category of the part.

Multiple part markings will be inside parentheses. Only one part marking contained in parentheses and separated by a "~" will appear on a part. If a line is indented then it is a continuation of the previous line and the two combined represent the entire part marking for that device.

Important Information and Disclaimer: The information provided on this page represents TI's knowledge and belief as of the date that it is provided. TI bases its knowledge and belief on information provided by third parties, and makes no representation or warranty as to the accuracy of such information. Efforts are underway to better integrate information from third parties. TI has taken and continues to take reasonable steps to provide representative and accurate information but may not have conducted destructive testing or chemical analysis on incoming materials and chemicals. TI and TI suppliers consider certain information to be proprietary, and thus CAS numbers and other limited information may not be available for release.

In no event shall TI's liability arising out of such information exceed the total purchase price of the TI part(s) at issue in this document sold by TI to Customer on an annual basis.

TAPE AND REEL INFORMATION

QUADRANT ASSIGNMENTS FOR PIN 1 ORIENTATION IN TAPE

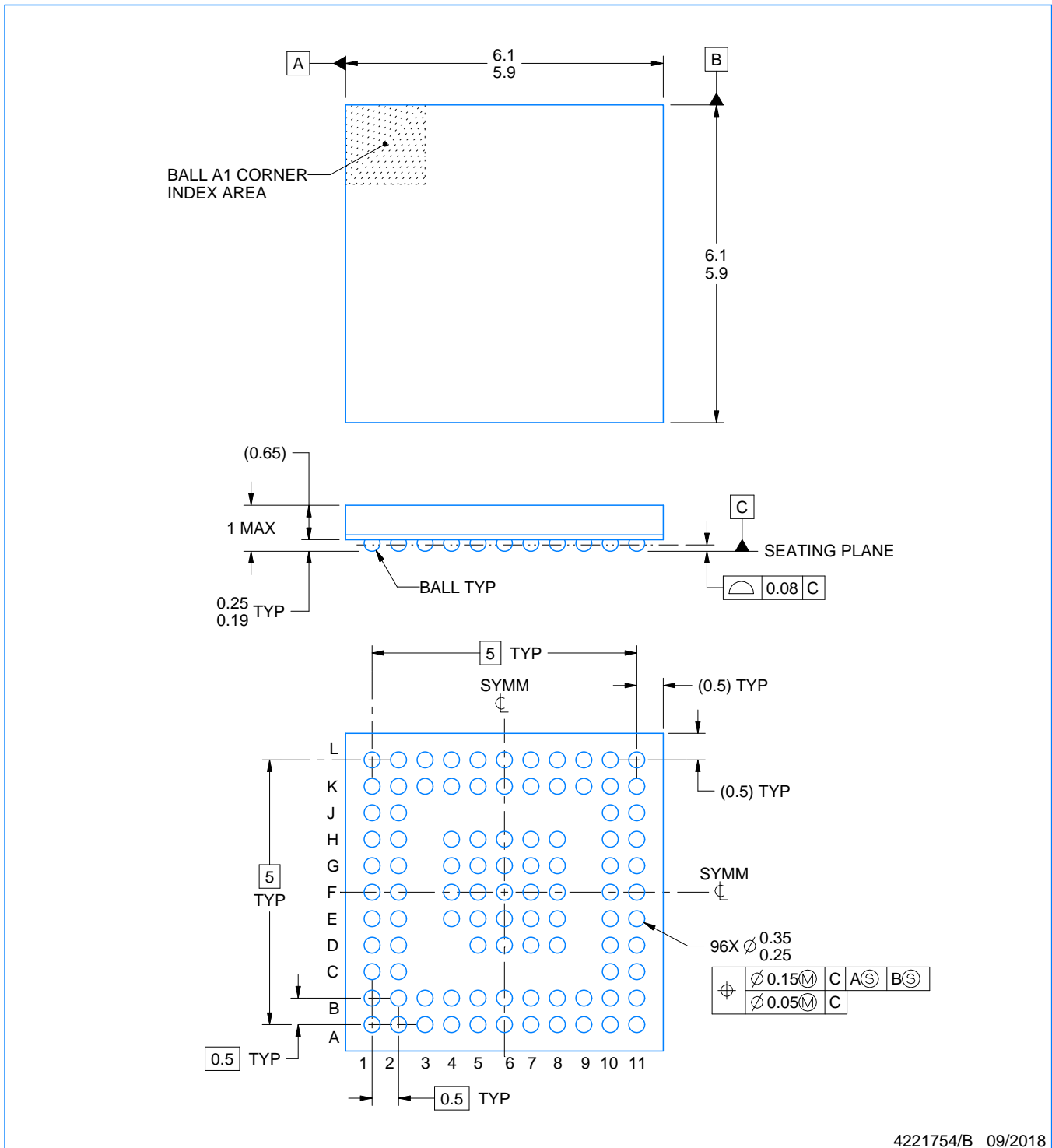
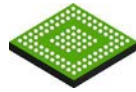

*All dimensions are nominal

Device	Package Type	Package Drawing	Pins	SPQ	Reel Diameter (mm)	Reel Width W1 (mm)	A0 (mm)	B0 (mm)	K0 (mm)	P1 (mm)	W (mm)	Pin1 Quadrant
TPS65983BAZBHR	NFBGA	ZBH	96	2500	330.0	16.4	6.3	6.3	2.1	8.0	16.0	Q1

TAPE AND REEL BOX DIMENSIONS


*All dimensions are nominal

Device	Package Type	Package Drawing	Pins	SPQ	Length (mm)	Width (mm)	Height (mm)
TPS65983BAZBHR	NFBGA	ZBH	96	2500	336.6	336.6	31.8



NOTES:

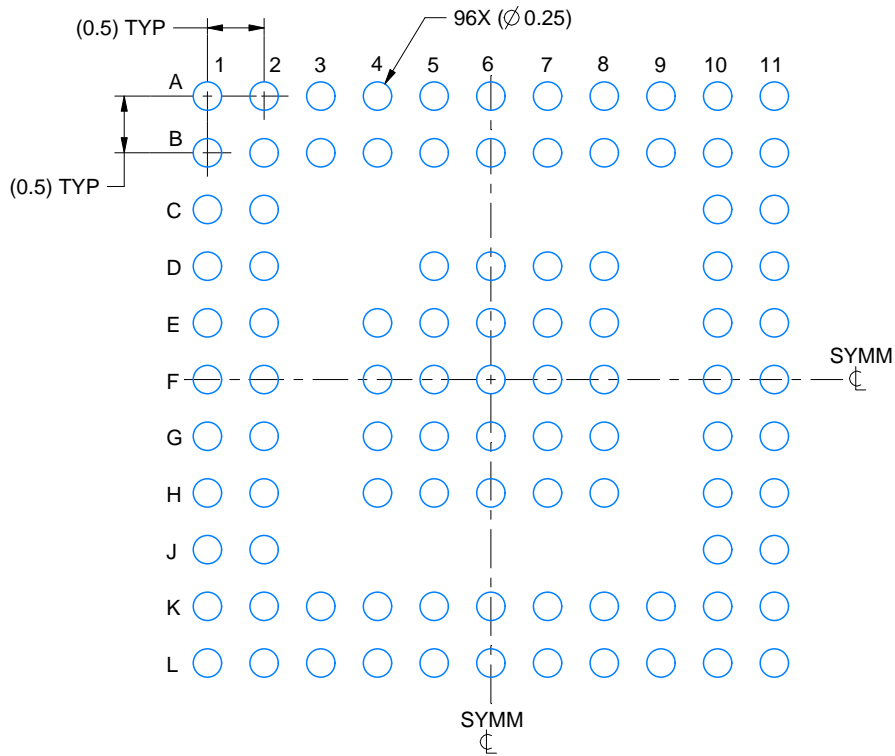
1. All linear dimensions are in millimeters. Any dimensions in parenthesis are for reference only. Dimensioning and tolerancing per ASME Y14.5M.
2. This drawing is subject to change without notice.

EXAMPLE BOARD LAYOUT

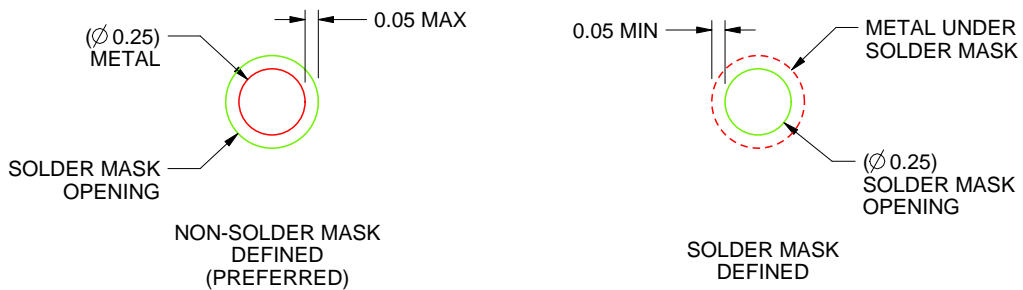
ZBH0096A

NFBGA - 1 mm max height

PLASTIC BALL GRID ARRAY



LAND PATTERN EXAMPLE
SCALE:15X



SOLDER MASK DETAILS
NOT TO SCALE

4221754/B 09/2018

NOTES: (continued)

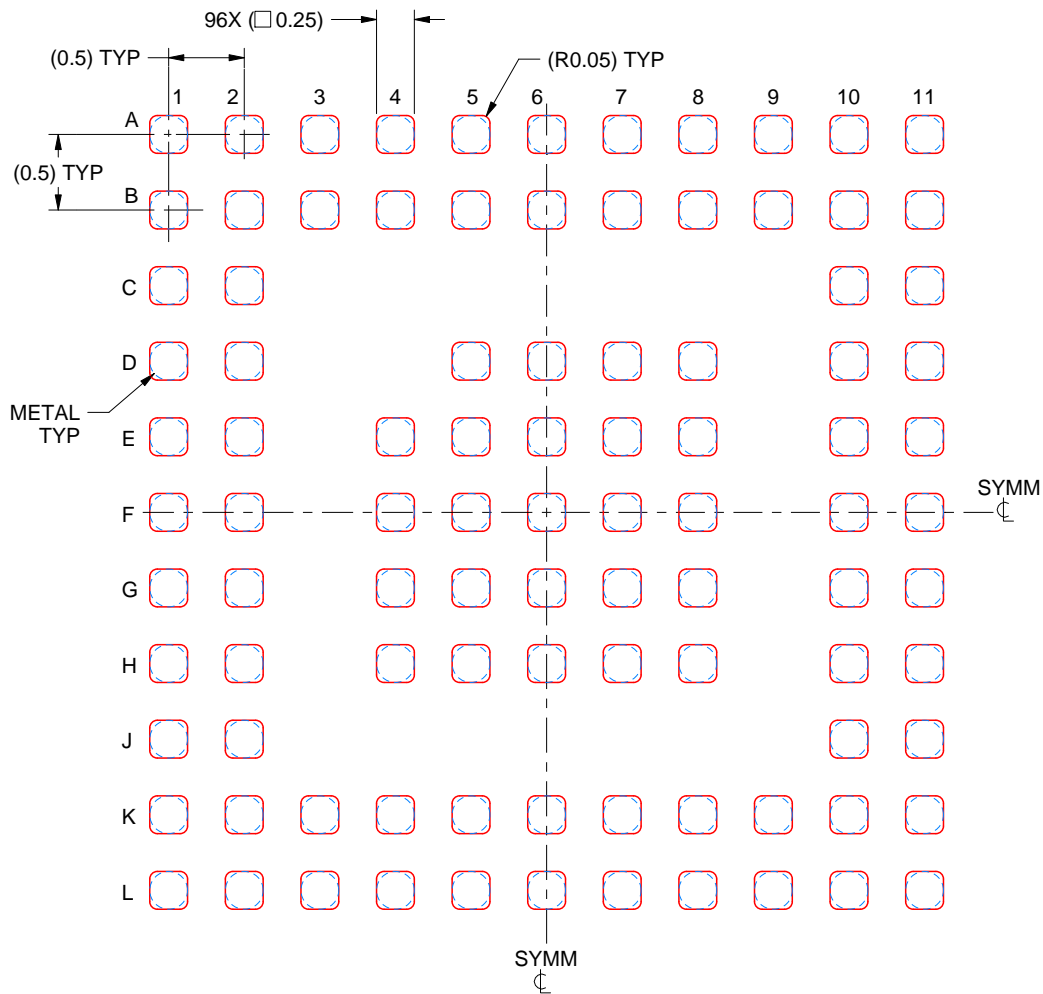
- Final dimensions may vary due to manufacturing tolerance considerations and also routing constraints. For information, see Texas Instruments literature number SPRAA99 (www.ti.com/lit/spraa99).

EXAMPLE STENCIL DESIGN

ZBH0096A

NFBGA - 1 mm max height

PLASTIC BALL GRID ARRAY



SOLDER PASTE EXAMPLE
BASED ON 0.1 mm THICK STENCIL
SCALE:20X

4221754/B 09/2018

NOTES: (continued)

5. Laser cutting apertures with trapezoidal walls and rounded corners may offer better paste release.

重要通知和免责声明

TI“按原样”提供技术和可靠性数据（包括数据表）、设计资源（包括参考设计）、应用或其他设计建议、网络工具、安全信息和其他资源，不保证没有瑕疵且不做任何明示或暗示的担保，包括但不限于对适销性、与某特定用途的适用性或不侵犯任何第三方知识产权的暗示担保。

这些资源可供使用 TI 产品进行设计的熟练开发人员使用。您将自行承担以下全部责任：(1) 针对您的应用选择合适的 TI 产品，(2) 设计、验证并测试您的应用，(3) 确保您的应用满足相应标准以及任何其他安全、安保法规或其他要求。

这些资源如有变更，恕不另行通知。TI 授权您仅可将这些资源用于研发本资源所述的 TI 产品的相关应用。严禁以其他方式对这些资源进行复制或展示。您无权使用任何其他 TI 知识产权或任何第三方知识产权。对于因您对这些资源的使用而对 TI 及其代表造成的任何索赔、损害、成本、损失和债务，您将全额赔偿，TI 对此概不负责。

TI 提供的产品受 [TI 销售条款](#)、[TI 通用质量指南](#) 或 [ti.com](#) 上其他适用条款或 TI 产品随附的其他适用条款的约束。TI 提供这些资源并不会扩展或以其他方式更改 TI 针对 TI 产品发布的适用的担保或担保免责声明。除非德州仪器 (TI) 明确将某产品指定为定制产品或客户特定产品，否则其产品均为按确定价格收入目录的标准通用器件。

TI 反对并拒绝您可能提出的任何其他或不同的条款。

版权所有 © 2025，德州仪器 (TI) 公司

最后更新日期：2025 年 10 月