

# TPS62134x 适用于 Intel Skylake 平台且具有低功耗模式输入的 17V 输入降压转换器

## 1 特性

- DCS-Control™ 架构
- 支持系统待机模式的低功耗模式
- 用于在轻载时实现高效率的省电模式
- 固定输出电压可选择 (0.7V 至 1.05V)
- 低功耗模式逻辑输入
- 静态电流为 20 $\mu$ A
- 输入电压范围: 3V 至 17V
- 输出电流: 高达 3.2A
- 可编程软启动
- 电源正常输出
- 短路保护
- 单端遥感
- 热关断保护
- 采用 3mm x 3mm 超薄型四方扁平无引线 (VQFN)-16 封装

## 2 应用

- Intel Skylake™ 平台超级本、笔记本电脑和 PC
- 标准 12V 导轨式电源
- 负载点 (POL) 由 1 至 4 节锂离子电池供电
- 固态硬盘驱动器
- 嵌入式系统

## 3 说明

TPS62134x 系列器件是一款易于使用的同步降压 DC-DC 转换器, 可兼容 Intel Skylake 平台应用, 诸如 超级本™ 和笔记本电脑。高性能 DCS-Control™ 架构可提供快速瞬态响应以及高精度输出电压。

借助其 3 至 17V 宽运行输入电压范围, 此器件非常适用于由锂离子电池或者其他电池以及由 12V 中间电源轨供电的系统。器件具有低功耗模式, 在该模式下器件可通过  $\overline{\text{LPM}}$  引脚降低输出电压。此外, 器件还可通过 VIDx 引脚支持输出电压的动态变化。 $\overline{\text{LPM}}$  和 VIDx 引脚可帮助系统在不同工作模式下最大限度地降低功耗。

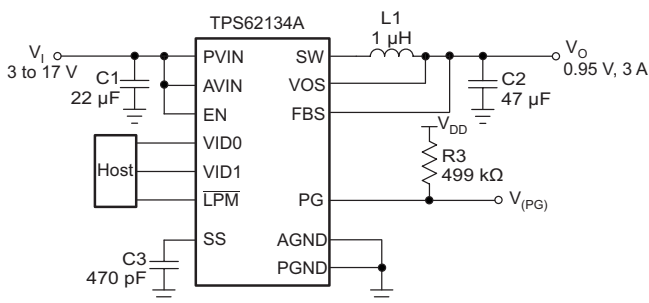
输出电压启动斜坡由 SS 引脚控制。电源排序可通过使能 (EN) 引脚和电源正常 (PG) 引脚配置。省电模式下, 器件所示静态电流约为 20 $\mu$ A, 该电流可在整个负载范围内保持高效率。短路保护和热关断功能可保护集成电路 (IC) 和外部元件, 使其不受输出接地短路时产生的强大电流的影响。该器件采用 3mm x 3mm 16 引脚超薄四方扁平无引线封装 (VQFN) 封装, 且带有散热焊盘。

### 器件信息(1)

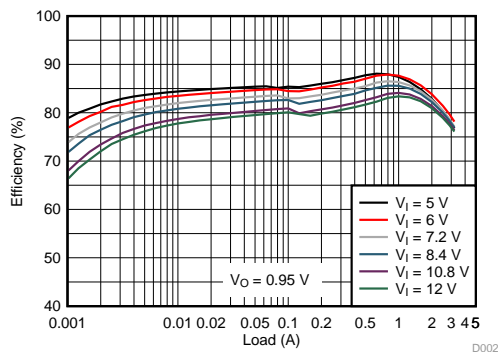
器件型号	封装	封装尺寸 (标称值)
TPS62134A	VQFN	3.00mm x 3.00mm
TPS62134B		
TPS62134C		
TPS62134D		

(1) 要了解所有可用封装, 请见数据表末尾的可订购产品附录。

## 4 典型应用电路



### TPS62134A 效率



D002



## 目录

1	特性 .....	1	9.3	Feature Description .....	8
2	应用 .....	1	9.4	Device Functional Modes .....	10
3	说明 .....	1	<b>10</b>	<b>Application and Implementation .....</b>	<b>11</b>
4	典型应用电路 .....	1	10.1	Application Information .....	11
5	修订历史记录 .....	2	10.2	Typical Application .....	11
6	<b>Device Comparison Table .....</b>	<b>3</b>	<b>11</b>	<b>Power Supply Recommendations .....</b>	<b>15</b>
7	<b>Pin Configuration and Functions .....</b>	<b>3</b>	<b>12</b>	<b>Layout .....</b>	<b>16</b>
8	<b>Specifications .....</b>	<b>4</b>	12.1	Layout Guidelines .....	16
8.1	Absolute Maximum Ratings .....	4	12.2	Layout Example .....	16
8.2	ESD Ratings .....	4	12.3	Thermal Considerations .....	17
8.3	Recommend Operating Conditions .....	4	<b>13</b>	<b>器件和文档支持 .....</b>	<b>18</b>
8.4	Thermal Information .....	4	13.1	器件支持 .....	18
8.5	Electrical Characteristic .....	5	13.2	文档支持 .....	18
8.6	Typical Characteristics .....	6	13.3	相关链接 .....	18
<b>9</b>	<b>Detailed Description .....</b>	<b>7</b>	13.4	商标 .....	18
9.1	Overview .....	7	13.5	静电放电警告 .....	18
9.2	Functional Block Diagram .....	7	13.6	术语表 .....	18
			<b>14</b>	<b>机械封装和可订购信息 .....</b>	<b>18</b>

## 5 修订历史记录

### Changes from Revision B (August 2014) to Revision C

Page

•	更改了器件信息表 .....	1
•	Added the <a href="#">Device Comparison Table</a> .....	3
•	Moved the Storage temperature From the <i>Handling Ratings</i> table to the <i>Absolute Maximum Ratings<sup>(1)</sup></i> table .....	4
•	Changed the <i>Handling Ratings</i> table to the <i>ESD Ratings</i> table .....	4
•	Changed the Output voltage accuracy, PSM mode MAX value From: 2% To: 3%, Add test condition: $\overline{\text{LPM}} = \text{High}$ . .....	5

### Changes from Revision A (August 2014) to Revision B

Page

•	Add new device to <a href="#">Device Comparison Table</a> .....	3
•	Updated the <a href="#">Functional Block Diagram</a> image .....	7
•	Add new device to <a href="#">表 1</a> .....	9
•	Updated the <a href="#">图 15</a> in the <a href="#">Application Curves</a> section .....	14
•	Updated <a href="#">公式 7</a> .....	15

### Changes from Original (August 2014) to Revision A

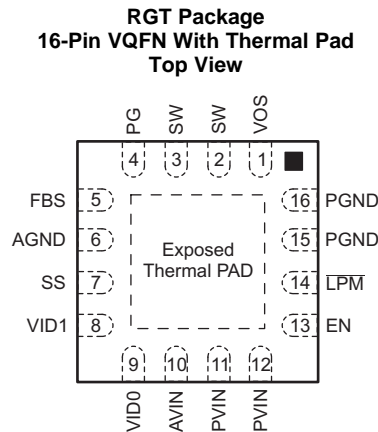
Page

•	Switched the pin names of pin 8 and 9 in the <i>Pin Functions</i> table .....	3
---	---	---

## 6 Device Comparison Table

PART NUMBER	PACKAGE MARKING	OUTPUT VOLTAGE
TPS62134A	134A	See 表 1
TPS62134B	134B	
TPS62134C	134C	
TPS62134D	134D	

## 7 Pin Configuration and Functions



### Pin Functions

PIN		TYPE	DESCRIPTION
NO.	NAME		
1	VOS	I	Output voltage sense pin and connection for the control loop circuitry. The VOS pin must be connected directly at the output capacitor.
2	SW	PWR	This pin is a switch node and is connected to the internal MOSFET switches. Connect an inductor between the SW pin and output capacitor.
3			
4	PG	O	Output power-good pin. The PG pin is an open drain and requires a pullup resistor. If this pin is not in use, leave it floating.
5	FBS	I	Output-voltage feedback pin. This pin is used for a positive remote sense of the load voltage. The FBS pin must be connected close to the load-supply node on the output bus.
6	AGND	—	Analog ground pin. The AGND pin must be connected directly to the exposed thermal pad and common ground plane.
7	SS	O	Soft-start pin. An external capacitor connected to this pin sets the soft-start time.
8	VID1	I	Output-voltage selection pins (VIDx).
9	VID0		
10	AVIN	I	Supply-voltage pin for the internal control circuitry. Connect the AVIN pin to the same source as the PVIN pin.
11	PVIN	PWR	Supply-voltage pins for the internal power stage.
12			
13	EN	I	Enable and disable input pin. An internal pulldown resistor maintains logic-level low if the pin is floating.
14	$\overline{\text{LPM}}$	I	Low-power-mode input pin.
15	PGND	—	Power ground. The PGND pin must be connected directly to the exposed thermal pad and common ground plane.
16			
—	Exposed Thermal Pad	—	The exposed thermal pad must be connected to the AGND (6) pin, PGND (15 and 16) pins, and common ground plane. The thermal pad must be soldered to achieve appropriate power dissipation and mechanical reliability.

## 8 Specifications

### 8.1 Absolute Maximum Ratings<sup>(1)</sup>

over operating junction temperature range (unless otherwise noted)

		MIN	MAX	UNIT
Voltage at pins <sup>(2)</sup>	AVIN, PVIN	-0.3	20	V
	EN, SW	-0.3	$V_I + 0.3$	
	SS, PG, VOS, VID0, VID1, LPM	-0.3	7	
	FBS	-0.3	3	
Sink current	PG	0	2	mA
Operating junction temperature, $T_J$		-40	150	°C
Storage temperature, $T_{stg}$		-65	150	°C

- (1) Stresses beyond those listed under absolute maximum ratings may cause permanent damage to the device. These are stress ratings only, and functional operation of the device at these or any other conditions beyond those indicated under recommended operating conditions is not implied. Exposure to absolute-maximum-rated conditions for extended periods may affect device reliability.
- (2) All voltage values are with respect to network ground pin.

### 8.2 ESD Ratings

			VALUE	UNIT
$V_{(ESD)}$	Electrostatic discharge	Human body model (HBM), per ANSI/ESDA/JEDEC JS-001 <sup>(1)</sup>	±2000	V
		Charged device model (CDM), per JEDEC specification JESD22-C101 <sup>(2)</sup>	±500	

- (1) JEDEC document JEP155 states that 500-V HBM allows safe manufacturing with a standard ESD control process.
- (2) JEDEC document JEP157 states that 250-V CDM allows safe manufacturing with a standard ESD control process.

### 8.3 Recommend Operating Conditions

over operating junction temperature range, unless otherwise noted.

		MIN	MAX	UNIT
$V_I$	Input voltage (AVIN, PVIN)	3	17	V
$V_{(PG)}$	PG pin pullup resistor voltage	0	6	V
$I_O$	Output current	$3\text{ V} \leq V_I < 5\text{ V}$	0	3
		$5\text{ V} \leq V_I \leq 17\text{ V}$	0	3.2
$T_J$	Operating junction temperature	-40	125	°C

### 8.4 Thermal Information

THERMAL METRIC <sup>(1)</sup>		TPS62134x RGT Package	UNIT
$R_{\theta JA}$	Junction-to-ambient thermal resistance	44.2	°C/W
$R_{\theta JC(top)}$	Junction-to-case (top) thermal resistance	51.0	
$R_{\theta JB}$	Junction-to-board thermal resistance	16.6	
$\Psi_{JT}$	Junction-to-top characterization parameter	0.9	
$\Psi_{JB}$	Junction-to-board characterization parameter	16.6	
$R_{\theta JC(bot)}$	Junction-to-case (bottom) thermal resistance	3.7	

- (1) For more information about traditional and new thermal metrics, see the *IC Package Thermal Metrics* application report, [SPRA953](#)

## 8.5 Electrical Characteristic

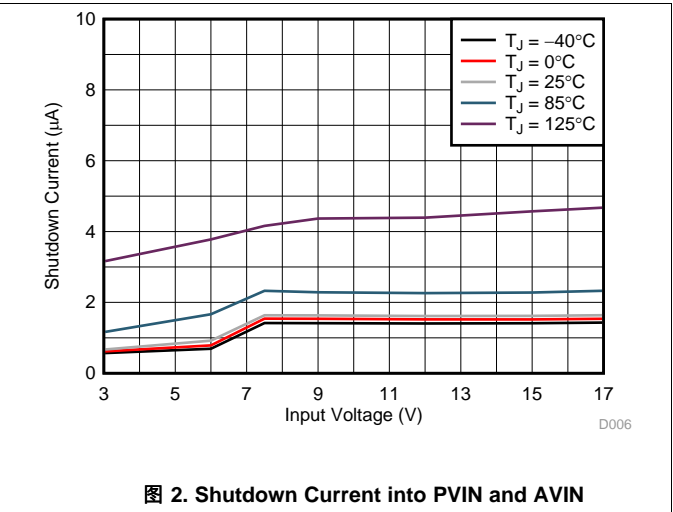
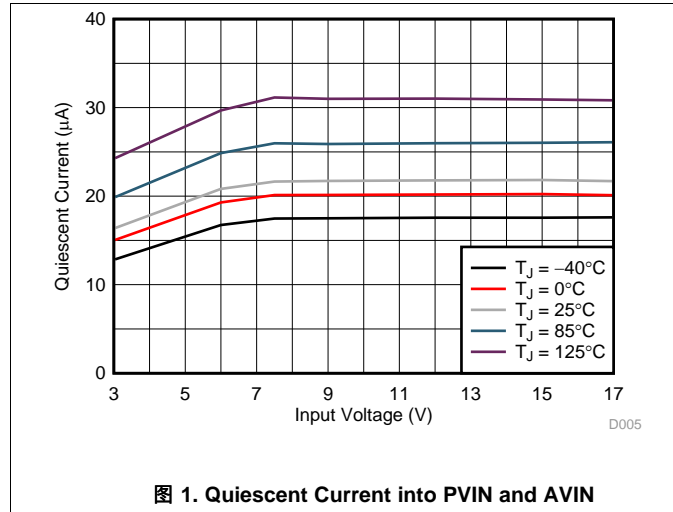
$T_J = -40\text{ }^\circ\text{C}$  to  $125\text{ }^\circ\text{C}$  and  $V_I = 3\text{ V}$  to  $17\text{ V}$ . Typical values at  $V_I = 12\text{ V}$  and  $T_J = 25\text{ }^\circ\text{C}$ , unless otherwise noted.

PARAMETER		TEST CONDITIONS	MIN	TYP	MAX	UNIT
<b>SUPPLY</b>						
$V_I$	Input voltage range		3		17	V
$I_Q$	Operating quiescent current	EN = High, no load, device not switching $T_J = -40\text{ }^\circ\text{C}$ to $85\text{ }^\circ\text{C}$		20	35	$\mu\text{A}$
		$T_J = 125\text{ }^\circ\text{C}$			58	
$I_{SD}$	Shutdown current into AVIN and PVIN	EN = Low $T_J = -40\text{ }^\circ\text{C}$ to $+85\text{ }^\circ\text{C}$		2	9	$\mu\text{A}$
		$T_J = 125\text{ }^\circ\text{C}$			18	
$V_{(UVLO)}$	Undervoltage lockout threshold	$V_I$ falling	2.6	2.7	2.8	V
		$V_I$ rising	2.8	2.9	3	
$T_{SD(th)}$	Thermal shutdown threshold	$T_J$ rising		160		$^\circ\text{C}$
$T_{SD(hys)}$	Thermal shutdown hysteresis	$T_J$ falling		20		
<b>CONTROL (EN, SS, PG, VIDx, <math>\overline{\text{LPM}}</math>)</b>						
$V_{IH}$	High-level input threshold voltage (EN, VIDx, $\overline{\text{LPM}}$ )		0.8	0.54		V
$V_{IL}$	Low-level input threshold voltage (EN, VIDx, $\overline{\text{LPM}}$ )			0.47	0.3	V
$R_{(PD)}$	Pull down resistor at EN, VIDx, $\overline{\text{LPM}}$	EN, VIDx, $\overline{\text{LPM}}$ = low		400		k $\Omega$
$R_{(DIS)}$	Output discharge resistor	EN = Low, $V_O = 1\text{ V}$		20		k $\Omega$
$I_{lkg}$	Input leakage current at EN, VIDx, $\overline{\text{LPM}}$	EN, VIDx, $\overline{\text{LPM}}$ = 3.3 V		0.01	1	$\mu\text{A}$
$V_{TH(PG)}$	Power good threshold DC voltage	$V_O$ rising	736	760	784	mV
		$V_O$ falling	696	720	752	
$V_{OL(PG)}$	Power good output low voltage	$I_{(PG)} = -2\text{ mA}$		0.07	0.3	V
$I_{lkg(PG)}$	Input leakage current at PG	$V_{(PG)} = 1.8\text{ V}$		1	400	nA
$t_d(PG)$	Power good delay time	PG rising		140		$\mu\text{s}$
		PG falling		20		
$I_{(SS)}$	SS pin source current		2.3	2.5	2.7	$\mu\text{A}$
<b>POWER SWITCH</b>						
$r_{DS(on,H)}$	High-side MOSFET on-resistance	$V_I \geq 6\text{ V}$		90	170	m $\Omega$
$r_{DS(on,L)}$	Low-side MOSFET on-resistance	$V_I \geq 6\text{ V}$		40	70	
$I_L$	High-side MOSFET DC current-limit	$V_I \geq 5\text{ V}$ , $T_J = 25\text{ }^\circ\text{C}$	3.6	4.4	5.4	A
$I_{L(LOW)}$	High-side MOSFET DC current-limit at low output voltage	$V_O \leq 0.3\text{ V}$		1.6		
<b>OUTPUT</b>						
$I_{lkg(FBS)}$	Input leakage current at FBS	$V_{(FBS)} = 1.1\text{ V}$		1	100	nA
$V_{O(A)}$	Output voltage accuracy	PWM mode	-1%		1%	
		PSM mode, $\overline{\text{LPM}} = \text{High}^{(1)}$	-1%		3%	
$\Delta V_{O(\Delta I O)}$	Load regulation <sup>(2)</sup>	$V_I = 7.2\text{ V}$ , $I_O = 0.5\text{ A}$ to $3.2\text{ A}$		0.01		%/A
$\Delta V_{O(\Delta V I)}$	Line regulation <sup>(2)</sup>	$3\text{ V} \leq V_I \leq 17\text{ V}$ , $I_O = 1\text{ A}$		0.003		%/V

(1) This is the accuracy provided by the device itself (line and load regulation effects are not included). External components effective value:  $L = 1\text{ } \mu\text{H}$  and  $C_{(OUT)} = 47\text{ } \mu\text{F}$ .

(2) Line and load regulation depend on external component selection and layout.

## 8.6 Typical Characteristics



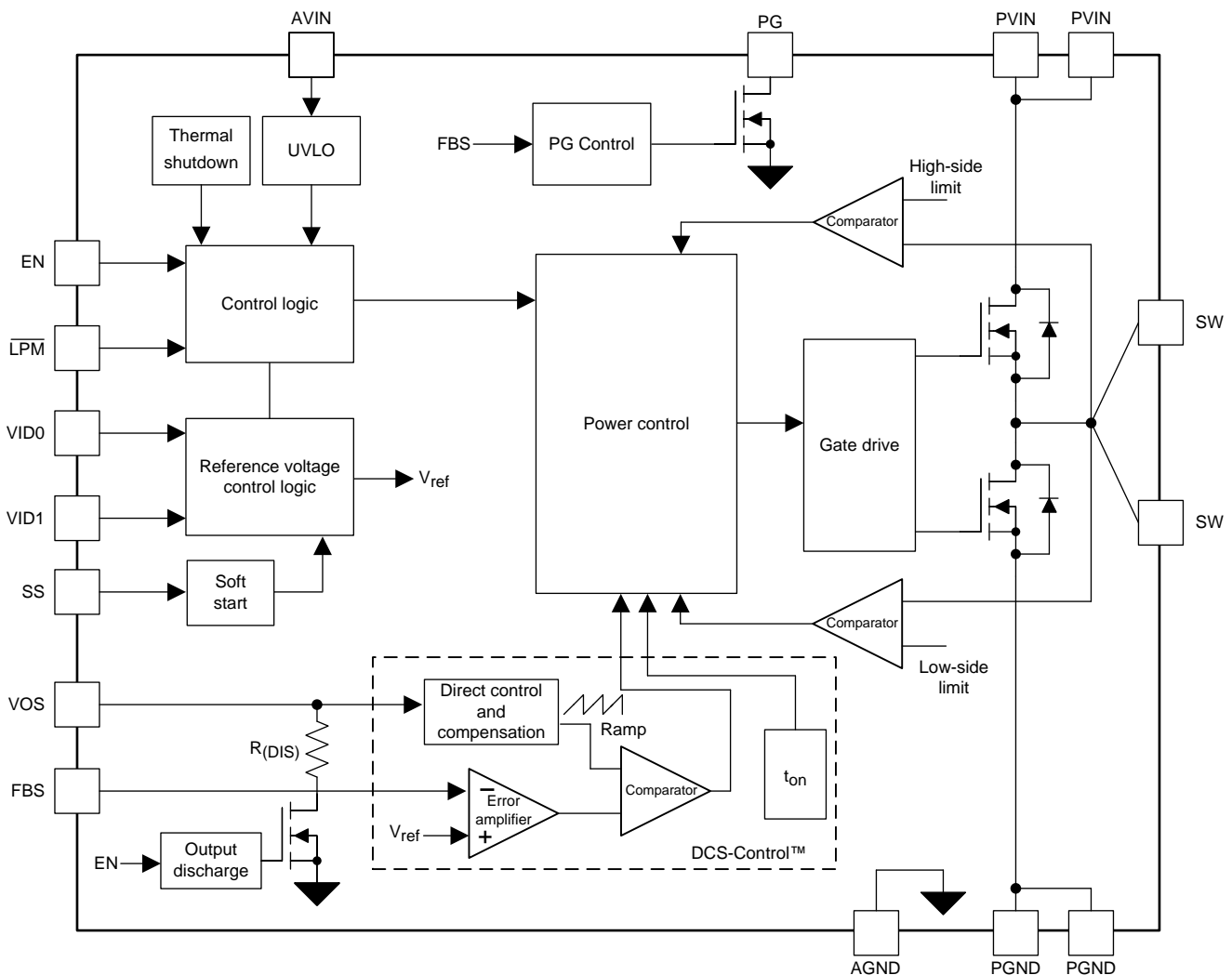
## 9 Detailed Description

### 9.1 Overview

The TPS62134x synchronous switched-mode power converters are based on DCS-Control™ (direct control with seamless transition into power-save mode), an advanced regulation topology that combines the advantages of hysteretic, voltage-mode, and current-mode control including an AC loop that is directly associated to the output voltage. This control loop uses information about output voltage changes and feeds the information directly to a fast comparator stage. The control loop provides immediate response to dynamic load changes. For accurate DC load regulation, a voltage feedback loop is used. The internally compensated regulation network achieves fast and stable operation with small external components and low ESR capacitors.

The DCS-Control™ topology supports PWM (pulse width modulation) mode for medium and heavy load conditions and a power-save mode (PSM) at light loads. During PWM mode, the devices operate at the nominal switching frequency in continuous conduction mode (CCM). This frequency is approximately 1 MHz (typical) with a controlled frequency variation depending on the input voltage. If the load current decreases, the converter enters PSM to sustain high efficiency down to very light loads. In PSM, the switching frequency decreases linearly with the load current. Because DCS-Control™ supports both operation modes within one single building block, the transition from PWM to PSM is seamless without effects on the output voltage.

### 9.2 Functional Block Diagram



## 9.3 Feature Description

### 9.3.1 Enable and Shutdown (EN)

When the EN pin is set high, the device begins operation. The EN pin allows sequencing from a host or power-good output of another device.

The devices enter shutdown mode if the EN pin is pulled low with a shutdown current of 2  $\mu$ A (typical). During shutdown, the internal power MOSFETs as well as the entire control circuitry are turned off. The output capacitor is smoothly discharged by a 20-k $\Omega$  internal resistor through the VOS pin. An internal pulldown resistor of approximately 400 k $\Omega$  is connected and maintains EN logic low, if the pin is floating. The pulldown resistor is disconnected if the EN pin is high.

### 9.3.2 Undervoltage Lockout (UVLO)

If the input voltage drops, the undervoltage lockout prevents misoperation of the device by switching off both power MOSFETs. The UVLO threshold is set to 2.7 V (typical). The device is fully operational for voltages above the UVLO threshold and turns off if the input voltage trips the threshold. The converter begins operation again when the input voltage exceeds the threshold by a hysteresis of 200 mV (typical).

### 9.3.3 Soft-Start (SS) Circuitry

The internal soft-start circuitry controls the output-voltage slope during startup. This control avoids excessive inrush current and ensures a controlled output-voltage rise time. The control also prevents unwanted voltage drops from high-impedance power sources or batteries. When the EN pin is set high to begin device operation, the device begins switching after a delay of approximately 50  $\mu$ s and  $V_O$  rises up to the nominal value set by the VIDx pins with a slope controlled by an external capacitor connected to the SS pin. Leave the SS pin floating for the fastest startup.

The device can startup into a pre-biased output. During monotonic pre-biased startup, both power MOSFETs are not allowed to turn on until the internal ramp of the device sets an output voltage above the pre-bias voltage.

If the device is in shutdown mode, undervoltage lockout, or thermal shutdown, an internal resistor pulls the SS pin down to ensure a proper low level. Returning from those states causes a new startup sequence.

### 9.3.4 Switch Current-Limit and Short Circuit Protection

The TPS62134x family of devices is protected against heavy load and short circuit events. If an output short circuit is detected ( $V_O$  drops below 0.3 V), the switch current limit is reduced to 1.6 A (typical). If the output voltage rises above 0.4 V, the device operates in normal operation again.

At heavy loads, the current-limit determines the maximum output current. The current-limit supports output currents of 3 A with input voltages below 5 V and 3.2 A with higher input voltages. If the peak current-limit ( $I_L$ ) is reached, the high-side MOSFET is turned off. Avoiding shoot-through current, the low-side MOSFET is switched on to sink the inductor current. The high-side MOSFET turns on again, only if the current in the low-side MOSFET has decreased below the low-side current-limit threshold of 3.2 A (typical).

Because of the internal propagation delay, the actual peak current of the high-side switch typically occurs above the DC value listed in the [Electrical Characteristic](#) table, especially in low duty-cycle applications. Use [公式 1](#) to calculate the dynamic current-limit.

$$I_{L(\text{dynamic})} = I_L + \frac{V_I - V_O}{L} \times 30 \text{ ns} \quad (1)$$

### 9.3.5 Output Voltage and LPM Logic Selection (VIDx and $\overline{\text{LPM}}$ )

The output voltage of the TPS62134x family of devices is selected by two VIDx pins and one  $\overline{\text{LPM}}$  pin as listed in [表 1](#). A pulldown resistor of 400 k $\Omega$  is internally connected to the VIDx pins and  $\overline{\text{LPM}}$  pin to ensure a proper logic level if the pin is high impedance or floating. The pulldown resistors are disconnected if the pins are pulled High.

The device has a low power mode (LPM) where the output voltage is reduced or disabled by using the  $\overline{\text{LPM}}$  pin. While the  $\overline{\text{LPM}}$  pin is asserted, the PG output remains high impedance. The device also achieves a dynamic output-voltage change by using the VIDx pins. This feature helps the system to minimize power consumption in standby or idle mode. The TPS62134B/D devices provide the full current even if the output voltage is set at 0.7 V in LPM mode.



**Feature Description (接下页)**
**表 1. Output Voltage Selection**

PART NUMBER (INTEL SKYLAKE VRs)	$\overline{\text{LPM}}$ LOGIC	VID1 LOGIC	VID0 LOGIC	OUTPUT VOLTAGE (V)
TPS62134A ( $V_{\text{CC(I/O)}}$ Rail)	0	x	x	<b>0 (LPM)</b>
	1	0	0	0.850
	1	0	1	0.875
	1	1	0	0.950
	1	1	1	0.975
TPS62134B ( $V_{\text{CC(PRIM\_CORE)}}$ Rail)	0	x	x	<b>0.7 (LPM)</b>
	1	0	0	0.80
	1	0	1	0.85
	1	1	0	0.90
	1	1	1	0.95
TPS62134C ( $V_{\text{CC(EDRAM)}}$ / $V_{\text{CC(EOPIO)}}$ Rail)	0	x	x	<b>0 (LPM)</b>
	1	0	0	0.80
	1	0	1	0.95
	1	1	0	1.00
	1	1	1	1.05
TPS62134D ( $V_{\text{CC(PRIM\_CORE)}}$ Rail)	0	x	x	<b>0.7 (LPM)</b>
	1	0	0	0.85
	1	0	1	0.90
	1	1	0	0.95
	1	1	1	1.00

**9.3.6 Power-Good Output (PG)**

The TPS62134x family of devices has a built-in power-good indicator. The PG signal can be used for startup sequencing of multiple rails. The PG pin is an open-drain output that requires a pullup resistor to any voltage below 6 V. The device has a fixed power-good threshold of 760 mV (rising edge) and 720 mV (falling edge). The PG rising edge has a delay time of 140  $\mu\text{s}$  (typical) and a falling edge has a delay time of 20  $\mu\text{s}$  (typical). The PG pin can sink 2-mA of current and maintain the specified logic low level. 表 2 lists the PG logic status in different operation conditions. The PG pin can be left floating if not used.

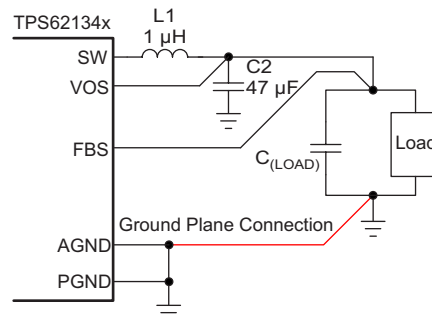
In LPM, the PG signal is latched as high impedance. When the device exits LPM, the PG has a 500- $\mu\text{s}$  blanking time to ensure that the output voltage returns to the nominal value.

**表 2. Power Good Logic**

CONDITIONS	PG LOGIC STATUS	
	HIGH IMPEDANCE	LOW
Enable	EN = high, $\overline{\text{LPM}}$ = high, $V_{\text{O}} > 760 \text{ mV}$	√
	EN = high, $\overline{\text{LPM}}$ = high, $V_{\text{O}} < 720 \text{ mV}$	√
LPM	EN = high, $\overline{\text{LPM}}$ = low	√
LPM, TPS62134B/D	EN = high, $\overline{\text{LPM}}$ = Low, $V_{\text{O}} < 0.3 \text{ V}$	√
Shutdown	EN = Low	√
Thermal shutdown		√
UVLO	$0.5 \text{ V} < V_{\text{(AVIN)}} < V_{\text{(UVLO)}}$	√
Power supply removal	$V_{\text{(AVIN)}} < 0.5 \text{ V}$	√

### 9.3.7 Single-Ended Remote Sense (FBS)

The devices allow a single-ended remote sense by connecting the FBS pin at the load. This function overcomes the parasitic resistance of the PCB traces and achieves an improved output-voltage regulation at the load. Avoid any noise coupled into the FBS trace. Use a solid ground plane to connect the ground return of the load with the AGND and PGND pins of the device. Connect the AGND and PGND pins directly to exposed thermal pad of the device. [图 3](#) shows an example.



**图 3. Remote Sense Connection**

### 9.3.8 Thermal Shutdown

The junction temperature ( $T_J$ ) of the device is monitored by an internal temperature sensor. If  $T_J$  exceeds 160°C (typical), the device goes into thermal shutdown. Both the high-side and low-side power MOSFETs are turned off. When  $T_J$  decreases below the hysteresis of 20°C, the converter resumes normal operation, beginning with a soft start.

## 9.4 Device Functional Modes

### 9.4.1 PWM Operation and Power Save Mode

The device operates with pulse width modulation (PWM) in medium and heavy load with a fixed on-time circuitry ( $t_{on}$ ). Use [公式 2](#) to calculate the on-time in steady-state operation.

$$t_{on} = 1 \mu\text{s} \times \frac{V_O}{V_I} \quad (2)$$

The typical PWM switching frequency is 1 MHz. The frequency variation in PWM is controlled and depends on  $V_I$ ,  $V_O$ , and the inductance. The switching frequency decreases with the input voltage to improve the efficiency in small duty-cycle applications.

To maintain high efficiency at light loads, the device enters PSM at the boundary to discontinuous conduction mode (DCM). In PSM, the switching frequency decreases linearly with the load current maintaining high efficiency. Use [公式 3](#) to calculate the switching frequency in PSM mode.

$$f_{S(\text{PSM})} = \frac{2 \times I_O}{t_{on}^2 \times \frac{V_I}{V_O} \times \frac{V_I - V_O}{L}} \quad (3)$$

See [图 11](#) for the switching frequency variation over load and input voltage.

## 10 Application and Implementation

### 注

Information in the following applications sections is not part of the TI component specification, and TI does not warrant its accuracy or completeness. TI's customers are responsible for determining suitability of components for their purposes. Customers should validate and test their design implementation to confirm system functionality.

### 10.1 Application Information

The TPS62134x family of devices are synchronous step-down converters based on the DCS-Control™ topology. The following section discusses the design of the external components to complete the power-supply design for power rails in the Intel Skylake platform.

### 10.2 Typical Application

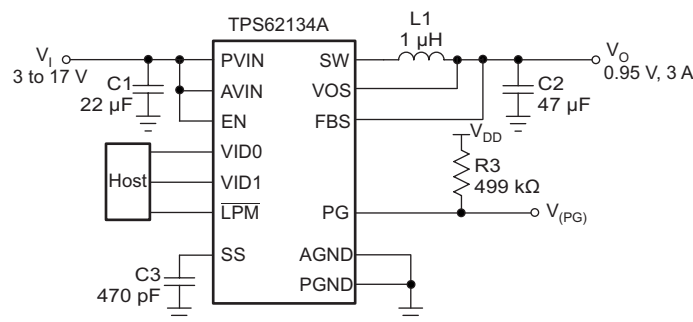


图 4. TPS62134A Typical Application

#### 10.2.1 Design Requirements

The design guideline provides component selection to operate the device within the values listed in the [Recommend Operating Conditions](#) section. Meanwhile, the design meets the time and slew rate requirements of the Intel Skylake platform for  $V_{CC(I/O)}$ ,  $V_{CC(PRIM\_CORE)}$ ,  $V_{CC(EDRAM)}$ , and  $V_{CC(EOPIO)}$  rails. [表 3](#) lists the components used for the curves in the [Application Curves](#) section.

表 3. List of Components

REFERENCE	DESCRIPTION	MANUFACTURER
TPS62134x	High efficiency step down converter	TI
L1	Inductor, 1 µH, XFL4020-102ME	Coilcraft
C1	Ceramic capacitor, 22 µF, GRM21BR61E226ME44L	Murata
C2	Ceramic capacitor, 47 µF, GRM21BR60J476ME15L	Murata
C3	Ceramic capacitor, 470 pF, GRM188R71H471KA01D	Murata
R3	Resistor, 499 kΩ	Standard

#### 10.2.2 Detailed Design Procedure

##### 10.2.2.1 Output Filter Selection

The first step of the design procedure is the selection of the output-filter components. The combinations listed in [表 4](#) are used to simplify the output filter component selection.

**表 4. Recommended LC Output Filter Combinations<sup>(1)</sup>**

INDUCTOR	OUTPUT CAPACITOR				
	22 μF	47 μF	100 μF	200 μF	400 μF
0.47 μH					
1 μH		√ <sup>(2)</sup>	√	√	
2.2 μH					

(1) The values in the table are nominal values, including device tolerances.

(2) This LC combination is the standard value and recommended for most applications.

### 10.2.2.2 Inductor Selection

The inductor selection is affected by several effects such as inductor-ripple current, output-ripple voltage, PWM-to-PSM transition point, and efficiency. In addition, the selected inductor must be rated for appropriate saturation current and DC resistance (DCR). Use [公式 4](#) to calculate the maximum inductor current under static load conditions.

$$I_{(L)\max} = I_{O\max} + \frac{\Delta I_{(L)\max}}{2}$$

$$\Delta I_{(L)\max} = \frac{V_O}{L_{\min} \times f_S} \times \left(1 - \frac{V_O}{V_I}\right)$$

where

- $I_{(L)\max}$  is the maximum inductor current
  - $\Delta I_{(L)\max}$  is the maximum peak-to-peak inductor ripple current
  - $L_{\min}$  is the minimum effective inductor value
  - $f_S$  is the actual PWM switching frequency
- (4)

Calculating the maximum inductor current using the actual operating conditions gives the minimum saturation current. A margin of approximately 20% is recommended to be added. The inductor value also determines the load current at which power save mode is entered:

$$I_{O(\text{PSM})} = \frac{\Delta I_{(L)}}{2}$$

(5)

[表 5](#) lists inductors that are recommended to use with the TPS62134x device.

**表 5. List of Inductors**

TYPE	INDUCTANCE (μH)	CURRENT (A)	DIMENSIONS (L × B × H, mm)	MANUFACTURER
XFL4020-102ME	1 μH	4.7	4 × 4 × 2	Coilcraft
DFE252012F	1 μH	5.0	2.5 × 2 × 1.2	Toko
DFE201612E	1 μH	4.1	2 × 1.6 × 1.2	Toko
PISB25201T	1 μH	3.9	2.5 × 2 × 1	Cyntec
PIME031B	1 μH	5.4	3.1 × 3.4 × 1.2	Cyntec

### 10.2.2.3 Output Capacitor

The recommended value for the output capacitor is 47 μF. The architecture of the TPS62134x family of devices allows the use of tiny ceramic output capacitors which have low equivalent series resistance (ESR). These capacitors provide low output-voltage ripple and are recommended. Using an X7R or X5R dielectric is recommended to maintain low resistance up to high frequencies and to achieve narrow capacitance variation with temperature. Using a higher value can have some advantages such as smaller voltage ripple and a tighter DC output accuracy in PWM. See *Optimizing the TPS62130/40/50/60/70 Output Filter*, [SLVA463](#) for additional information.

Note that in power save mode, the output voltage ripple depends on the output capacitance, ESR, and peak inductor current. Using ceramic capacitors provides small ESR and low ripple.

### 10.2.2.4 Input Capacitor

For most applications, using a capacitor with a value of 22  $\mu\text{F}$  is a recommended. Larger values further reduce input-current ripple. The input capacitor buffers the input voltage for transient events and also decouples the converter from the supply. A ceramic capacitor which has low ESR is recommended for best filtering and should be placed between the PVIN and PGND pins and as close as possible to those pins.

### 10.2.2.5 Soft-Start Capacitor

A capacitor connected between the SS pin and the AGND pin allows a user programmable startup slope of the output voltage. A constant current source supports 2.5  $\mu\text{A}$  to charge the external capacitance. Use 公式 6 to calculate the capacitor value required for a given soft-start time.

$$C_{(SS)} = t_{(SS)} \times \frac{2.5 \mu\text{A}}{V_O}$$

where

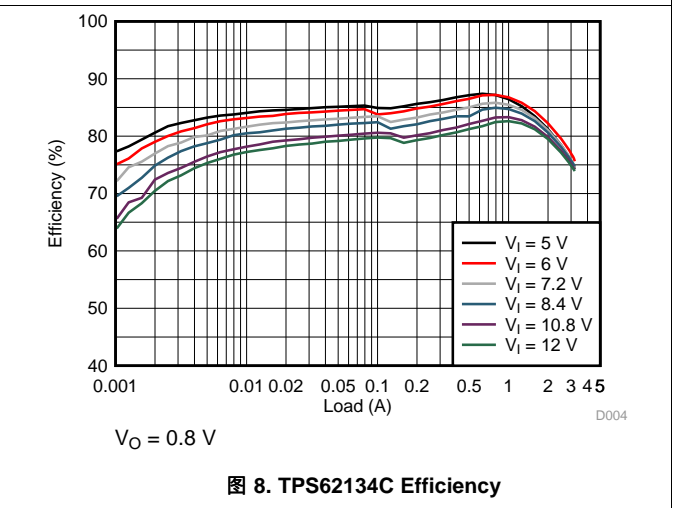
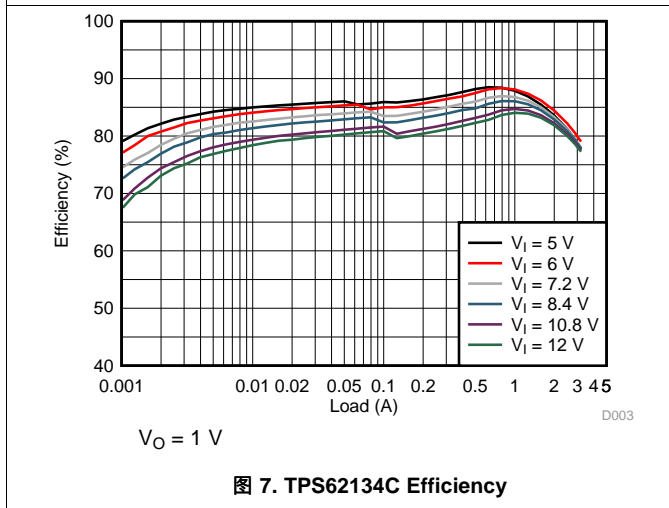
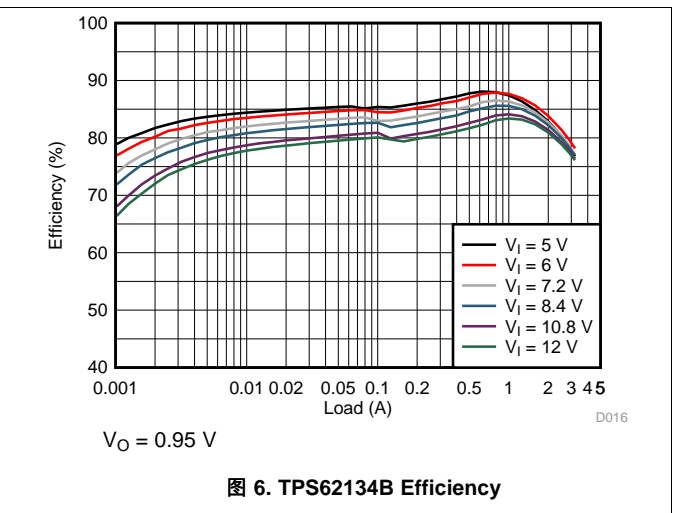
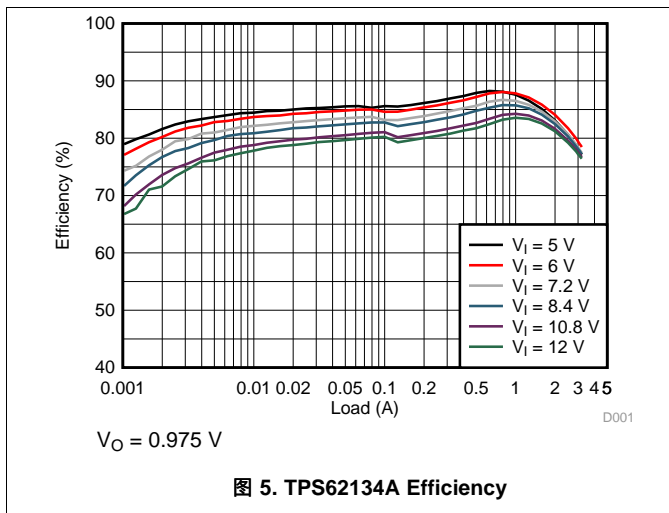
- $C_{(SS)}$  is the capacitance (F) required at the SS pin
- $t_{(SS)}$  is the desired soft-start time (s)

(6)

Leave the SS pin floating for fastest startup.

### 10.2.3 Application Curves

$T_A = 25^\circ\text{C}$  and  $V_I = 7.2 \text{ V}$ , unless otherwise noted.



$T_A = 25^\circ\text{C}$  and  $V_I = 7.2\text{ V}$ , unless otherwise noted.

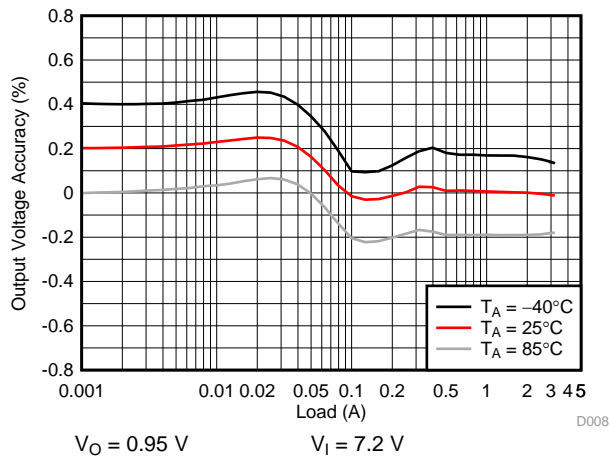


图 9. TPS62134A Load Regulation

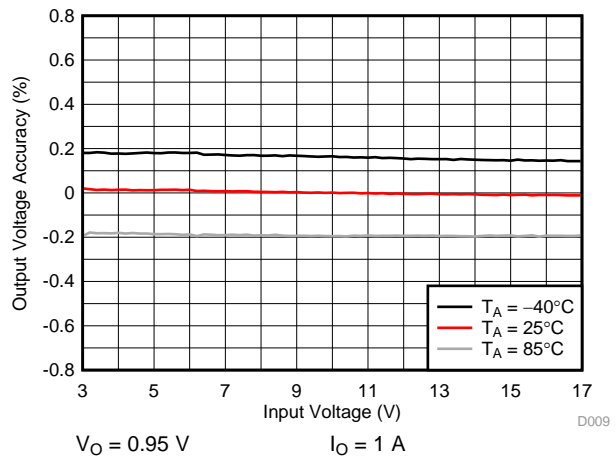


图 10. TPS62134A Line Regulation

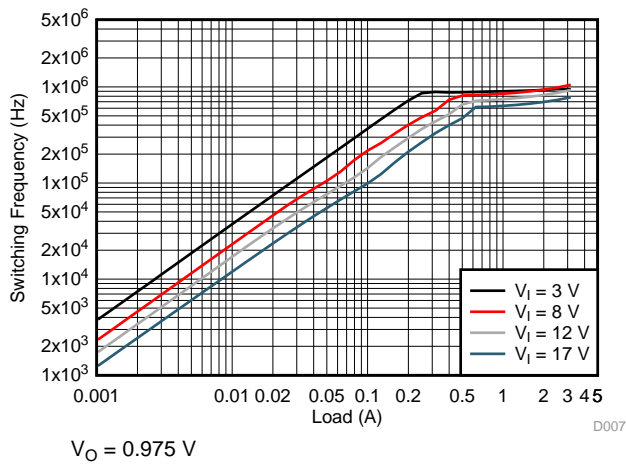


图 11. TPS62134A Switching Frequency

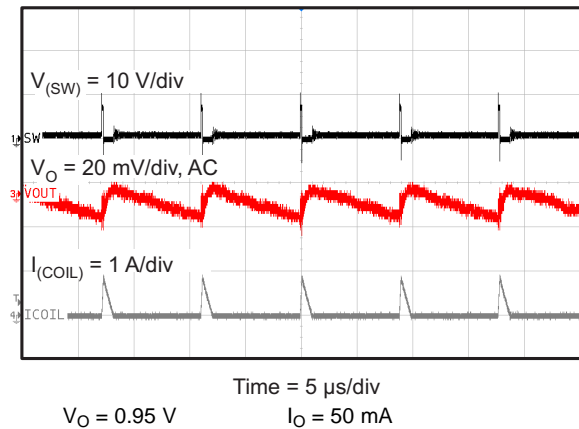


图 12. TPS62134A Output Ripple

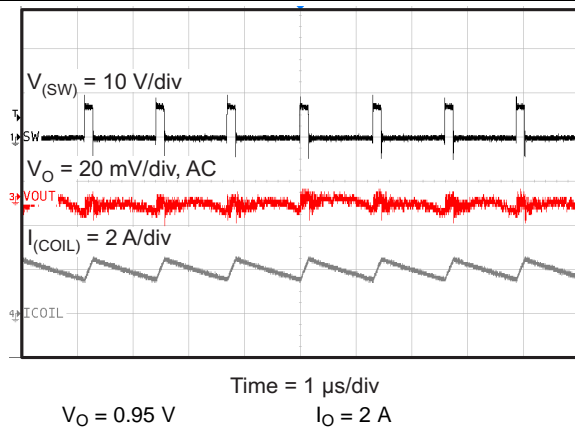


图 13. TPS62134A Output Ripple

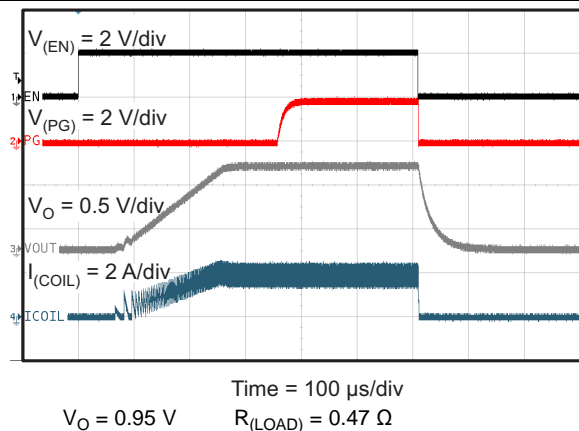


图 14. TPS62134A Startup and Shutdown

$T_A = 25^\circ\text{C}$  and  $V_I = 7.2\text{ V}$ , unless otherwise noted.

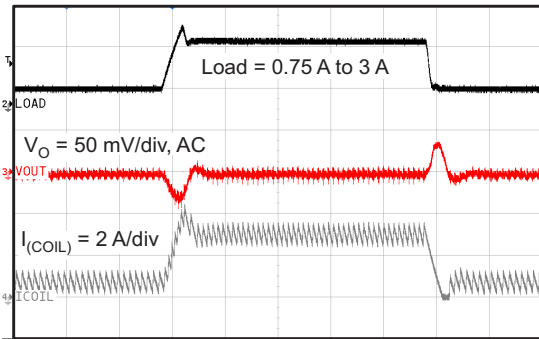


图 15. TPS62134A Load Transient

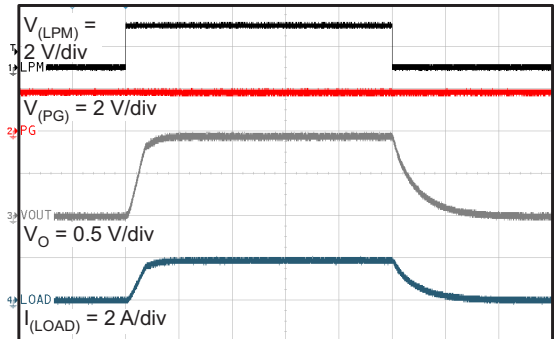


图 16. TPS62134C LPM Entry and Exit

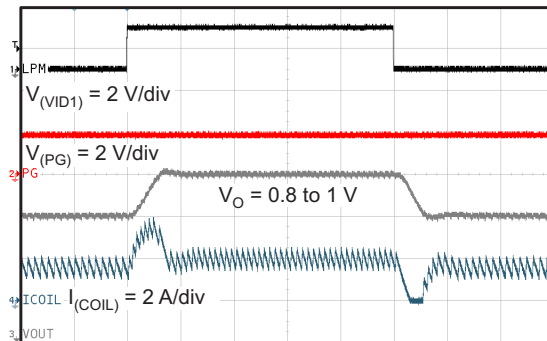


图 17. TPS62134C Minimum Speed Mode (MSM) Entry and Exit

## 11 Power Supply Recommendations

The device is designed to operate from an input voltage supply range between 3 V and 17 V. Use [公式 7](#) to calculate the average input current of the TPS62134x device.

$$I_I = \frac{1}{\eta} \times \frac{V_O \times I_O}{V_I} \tag{7}$$

Ensure that the input power supply has a sufficient current rating for the application.

## 12 Layout

### 12.1 Layout Guidelines

- TI recommends to place all components as close as possible to the device. Ensure that the input capacitor placement is as close as possible to the PVIN and PGND pins of the device.
- The VOS pin is noise sensitive and must be routed short and directly to the output of the output capacitor. This routing minimizes switch node jitter and ensures reliability.
- The direct common-ground connection of the AGND and PGND pins to the exposed thermal pad and the system ground (ground plane) is mandatory. To enhance heat dissipation of the device, the exposed thermal pad should be connected to bottom or internal layer ground planes using vias.
- Use wide and short traces for the main current paths to reduce the parasitic inductance and resistance.
- The capacitor on the SS pin should be placed close to the device and connected directly to those pins and the AGND pin.
- The inductor should be placed close to the SW pins, keeping this area small.
- Finally, the ground of the output capacitor should be located close to the PGND pins of the device.
- See [图 18](#) for an example of component placement, routing, and thermal design.

### 12.2 Layout Example

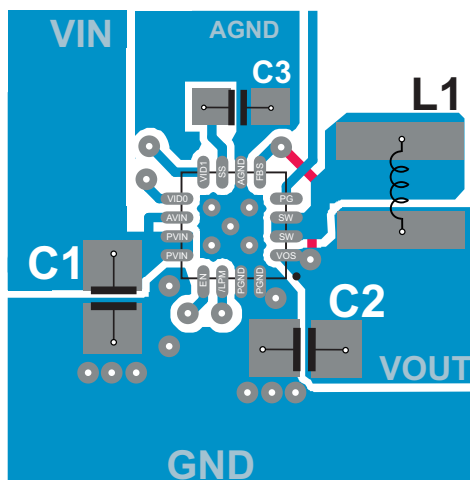


图 18. TPS62134x Layout Example



### 12.3 Thermal Considerations

Implementation of integrated circuits in low-profile and fine-pitch surface-mount packages typically requires special attention to power dissipation. Many system-dependent issues such as thermal coupling, airflow, added heat sinks and convection surfaces, and the presence of other heat-generating components affect the power-dissipation limits of a given component.

The following lists three basic approaches for enhancing thermal performance:

- Improving the power dissipation capability of the PCB design
- Improving the thermal coupling of the component to the PCB by soldering the exposed thermal pad
- Introducing airflow in the system

For more details on how to use the thermal parameters, see the application notes, *Thermal Characteristics of Linear and Logic Packages Using JEDEC PCB Designs* ([SZZA017](#)), and *Semiconductor and IC Package Thermal Metrics* ([SPRA953](#)).

## 13 器件和文档支持

### 13.1 器件支持

#### 13.1.1 第三方产品免责声明

TI 发布的与第三方产品或服务有关的信息，不能构成与此类产品或服务或保修的适用性有关的认可，不能构成此类产品或服务单独或与任何 TI 产品或服务一起的表示或认可。

### 13.2 文档支持

#### 13.2.1 相关文档

- 《优化 TPS62130/40/50/60/70 输出滤波器》，[SLVA463](#)
- 《半导体和 IC 封装热指标》，[SPRA953](#)
- 《采用 JEDEC PCB 设计的线性和逻辑封装散热特性》，[SZZA017](#)

### 13.3 相关链接

以下表格列出了快速访问链接。范围包括技术文档、支持与社区资源、工具和软件，并且可以快速访问样片或购买链接。

表 6. 相关链接

器件	产品文件夹	技术文档	工具与软件	支持与社区
TPS62134A	<a href="#">请单击此处</a>	<a href="#">请单击此处</a>	<a href="#">请单击此处</a>	<a href="#">请单击此处</a>
TPS62134B	<a href="#">请单击此处</a>	<a href="#">请单击此处</a>	<a href="#">请单击此处</a>	<a href="#">请单击此处</a>
TPS62134C	<a href="#">请单击此处</a>	<a href="#">请单击此处</a>	<a href="#">请单击此处</a>	<a href="#">请单击此处</a>
TPS62134D	<a href="#">请单击此处</a>	<a href="#">请单击此处</a>	<a href="#">请单击此处</a>	<a href="#">请单击此处</a>

### 13.4 商标

DCS-Control, the DCS-Control are trademarks of Texas Instruments.

Skylake, 超级本 are trademarks of Intel.

All other trademarks are the property of their respective owners.

### 13.5 静电放电警告



这些装置包含有限的内置 ESD 保护。存储或装卸时，应将导线一起截短或将装置放置于导电泡棉中，以防止 MOS 门极遭受静电损伤。

### 13.6 术语表

[SLYZ022](#) — TI 术语表。

这份术语表列出并解释术语、首字母缩略词和定义。

## 14 机械封装和可订购信息

以下页中包括机械封装和可订购信息。这些信息是针对指定器件可提供的最新数据。这些数据会在无通知且不对本文档进行修订的情况下发生改变。欲获得该数据表的浏览器版本，请查阅左侧的导航栏。

**PACKAGING INFORMATION**

Orderable part number	Status (1)	Material type (2)	Package   Pins	Package qty   Carrier	RoHS (3)	Lead finish/ Ball material (4)	MSL rating/ Peak reflow (5)	Op temp (°C)	Part marking (6)
<a href="#">TPS62134ARGTR</a>	Active	Production	VQFN (RGT)   16	3000   LARGE T&R	Yes	NIPDAU	Level-2-260C-1 YEAR	-40 to 85	134A
TPS62134ARGTR.B	Active	Production	VQFN (RGT)   16	3000   LARGE T&R	Yes	NIPDAU	Level-2-260C-1 YEAR	-40 to 85	134A
<a href="#">TPS62134ARGTT</a>	Active	Production	VQFN (RGT)   16	250   SMALL T&R	Yes	NIPDAU	Level-2-260C-1 YEAR	-40 to 85	134A
TPS62134ARGTT.B	Active	Production	VQFN (RGT)   16	250   SMALL T&R	Yes	NIPDAU	Level-2-260C-1 YEAR	-40 to 85	134A
<a href="#">TPS62134BRGTR</a>	Active	Production	VQFN (RGT)   16	3000   LARGE T&R	Yes	NIPDAU	Level-2-260C-1 YEAR	-40 to 85	134B
TPS62134BRGTR.B	Active	Production	VQFN (RGT)   16	3000   LARGE T&R	Yes	NIPDAU	Level-2-260C-1 YEAR	-40 to 85	134B
<a href="#">TPS62134BRGTT</a>	Active	Production	VQFN (RGT)   16	250   SMALL T&R	Yes	NIPDAU	Level-2-260C-1 YEAR	-40 to 85	134B
TPS62134BRGTT.B	Active	Production	VQFN (RGT)   16	250   SMALL T&R	Yes	NIPDAU	Level-2-260C-1 YEAR	-40 to 85	134B
<a href="#">TPS62134CRGTR</a>	Active	Production	VQFN (RGT)   16	3000   LARGE T&R	Yes	NIPDAU	Level-2-260C-1 YEAR	-40 to 85	134C
TPS62134CRGTR.B	Active	Production	VQFN (RGT)   16	3000   LARGE T&R	Yes	NIPDAU	Level-2-260C-1 YEAR	-40 to 85	134C
<a href="#">TPS62134CRGTT</a>	Active	Production	VQFN (RGT)   16	250   SMALL T&R	Yes	NIPDAU	Level-2-260C-1 YEAR	-40 to 85	134C
TPS62134CRGTT.B	Active	Production	VQFN (RGT)   16	250   SMALL T&R	Yes	NIPDAU	Level-2-260C-1 YEAR	-40 to 85	134C
<a href="#">TPS62134DRGTR</a>	Active	Production	VQFN (RGT)   16	3000   LARGE T&R	Yes	NIPDAU	Level-2-260C-1 YEAR	-40 to 85	134D
TPS62134DRGTR.B	Active	Production	VQFN (RGT)   16	3000   LARGE T&R	Yes	NIPDAU	Level-2-260C-1 YEAR	-40 to 85	134D
<a href="#">TPS62134DRGTT</a>	Active	Production	VQFN (RGT)   16	250   SMALL T&R	Yes	NIPDAU	Level-2-260C-1 YEAR	-40 to 85	134D
TPS62134DRGTT.B	Active	Production	VQFN (RGT)   16	250   SMALL T&R	Yes	NIPDAU	Level-2-260C-1 YEAR	-40 to 85	134D

(1) **Status:** For more details on status, see our [product life cycle](#).

(2) **Material type:** When designated, preproduction parts are prototypes/experimental devices, and are not yet approved or released for full production. Testing and final process, including without limitation quality assurance, reliability performance testing, and/or process qualification, may not yet be complete, and this item is subject to further changes or possible discontinuation. If available for ordering, purchases will be subject to an additional waiver at checkout, and are intended for early internal evaluation purposes only. These items are sold without warranties of any kind.

(3) **RoHS values:** Yes, No, RoHS Exempt. See the [TI RoHS Statement](#) for additional information and value definition.

(4) **Lead finish/Ball material:** Parts may have multiple material finish options. Finish options are separated by a vertical ruled line. Lead finish/Ball material values may wrap to two lines if the finish value exceeds the maximum column width.

(5) **MSL rating/Peak reflow:** The moisture sensitivity level ratings and peak solder (reflow) temperatures. In the event that a part has multiple moisture sensitivity ratings, only the lowest level per JEDEC standards is shown. Refer to the shipping label for the actual reflow temperature that will be used to mount the part to the printed circuit board.

**(6) Part marking:** There may be an additional marking, which relates to the logo, the lot trace code information, or the environmental category of the part.

Multiple part markings will be inside parentheses. Only one part marking contained in parentheses and separated by a "-" will appear on a part. If a line is indented then it is a continuation of the previous line and the two combined represent the entire part marking for that device.

**Important Information and Disclaimer:**The information provided on this page represents TI's knowledge and belief as of the date that it is provided. TI bases its knowledge and belief on information provided by third parties, and makes no representation or warranty as to the accuracy of such information. Efforts are underway to better integrate information from third parties. TI has taken and continues to take reasonable steps to provide representative and accurate information but may not have conducted destructive testing or chemical analysis on incoming materials and chemicals. TI and TI suppliers consider certain information to be proprietary, and thus CAS numbers and other limited information may not be available for release.

In no event shall TI's liability arising out of such information exceed the total purchase price of the TI part(s) at issue in this document sold by TI to Customer on an annual basis.

**TAPE AND REEL INFORMATION**

**QUADRANT ASSIGNMENTS FOR PIN 1 ORIENTATION IN TAPE**


\*All dimensions are nominal

Device	Package Type	Package Drawing	Pins	SPQ	Reel Diameter (mm)	Reel Width W1 (mm)	A0 (mm)	B0 (mm)	K0 (mm)	P1 (mm)	W (mm)	Pin1 Quadrant
TPS62134ARGTR	VQFN	RGT	16	3000	330.0	12.4	3.3	3.3	1.1	8.0	12.0	Q2
TPS62134ARGTR	VQFN	RGT	16	3000	330.0	12.4	3.3	3.3	1.1	8.0	12.0	Q2
TPS62134ARGTT	VQFN	RGT	16	250	330.0	12.4	3.3	3.3	1.1	8.0	12.0	Q2
TPS62134ARGTT	VQFN	RGT	16	250	180.0	12.4	3.3	3.3	1.1	8.0	12.0	Q2
TPS62134BRGTR	VQFN	RGT	16	3000	330.0	12.4	3.3	3.3	1.1	8.0	12.0	Q2
TPS62134BRGTR	VQFN	RGT	16	3000	330.0	12.4	3.3	3.3	1.1	8.0	12.0	Q2
TPS62134BRGTT	VQFN	RGT	16	250	180.0	12.4	3.3	3.3	1.1	8.0	12.0	Q2
TPS62134BRGTT	VQFN	RGT	16	250	180.0	12.5	3.3	3.3	1.1	8.0	12.0	Q2
TPS62134CRGTR	VQFN	RGT	16	3000	330.0	12.4	3.3	3.3	1.1	8.0	12.0	Q2
TPS62134CRGTR	VQFN	RGT	16	3000	330.0	12.4	3.3	3.3	1.1	8.0	12.0	Q2
TPS62134CRGTT	VQFN	RGT	16	250	330.0	12.4	3.3	3.3	1.1	8.0	12.0	Q2
TPS62134CRGTT	VQFN	RGT	16	250	180.0	12.4	3.3	3.3	1.1	8.0	12.0	Q2
TPS62134DRGTR	VQFN	RGT	16	3000	330.0	12.4	3.3	3.3	1.1	8.0	12.0	Q2
TPS62134DRGTR	VQFN	RGT	16	3000	330.0	12.4	3.3	3.3	1.1	8.0	12.0	Q2
TPS62134DRGTT	VQFN	RGT	16	250	180.0	12.4	3.3	3.3	1.1	8.0	12.0	Q2
TPS62134DRGTT	VQFN	RGT	16	250	330.0	12.4	3.3	3.3	1.1	8.0	12.0	Q2

**TAPE AND REEL BOX DIMENSIONS**


\*All dimensions are nominal

Device	Package Type	Package Drawing	Pins	SPQ	Length (mm)	Width (mm)	Height (mm)
TPS62134ARGTR	VQFN	RGT	16	3000	338.0	355.0	50.0
TPS62134ARGTR	VQFN	RGT	16	3000	552.0	346.0	36.0
TPS62134ARGTT	VQFN	RGT	16	250	338.0	355.0	50.0
TPS62134ARGTT	VQFN	RGT	16	250	552.0	185.0	36.0
TPS62134BRGTR	VQFN	RGT	16	3000	552.0	346.0	36.0
TPS62134BRGTR	VQFN	RGT	16	3000	338.0	355.0	50.0
TPS62134BRGTT	VQFN	RGT	16	250	552.0	185.0	36.0
TPS62134BRGTT	VQFN	RGT	16	250	205.0	200.0	33.0
TPS62134CRGTR	VQFN	RGT	16	3000	552.0	346.0	36.0
TPS62134CRGTR	VQFN	RGT	16	3000	338.0	355.0	50.0
TPS62134CRGTT	VQFN	RGT	16	250	338.0	355.0	50.0
TPS62134CRGTT	VQFN	RGT	16	250	552.0	185.0	36.0
TPS62134DRGTR	VQFN	RGT	16	3000	552.0	346.0	36.0
TPS62134DRGTR	VQFN	RGT	16	3000	338.0	355.0	50.0
TPS62134DRGTT	VQFN	RGT	16	250	552.0	185.0	36.0
TPS62134DRGTT	VQFN	RGT	16	250	338.0	355.0	50.0

**TUBE**


\*All dimensions are nominal

Device	Package Name	Package Type	Pins	SPQ	L (mm)	W (mm)	T (μm)	B (mm)
TPS62134ARGTR	RGT	VQFN	16	3000	381	4.83	2286	0
TPS62134ARGTR.B	RGT	VQFN	16	3000	381	4.83	2286	0
TPS62134ARGTT	RGT	VQFN	16	250	381	4.83	2286	0
TPS62134ARGTT.B	RGT	VQFN	16	250	381	4.83	2286	0
TPS62134BRGTR	RGT	VQFN	16	3000	381	4.83	2286	0
TPS62134BRGTR.B	RGT	VQFN	16	3000	381	4.83	2286	0
TPS62134BRGTT	RGT	VQFN	16	250	381	4.83	2286	0
TPS62134BRGTT.B	RGT	VQFN	16	250	381	4.83	2286	0
TPS62134CRGTR	RGT	VQFN	16	3000	381	4.83	2286	0
TPS62134CRGTR.B	RGT	VQFN	16	3000	381	4.83	2286	0
TPS62134CRGTT	RGT	VQFN	16	250	381	4.83	2286	0
TPS62134CRGTT.B	RGT	VQFN	16	250	381	4.83	2286	0
TPS62134DRGTR	RGT	VQFN	16	3000	381	4.83	2286	0
TPS62134DRGTR.B	RGT	VQFN	16	3000	381	4.83	2286	0
TPS62134DRGTT	RGT	VQFN	16	250	381	4.83	2286	0
TPS62134DRGTT.B	RGT	VQFN	16	250	381	4.83	2286	0

**RGT 16**

**GENERIC PACKAGE VIEW**

**VQFN - 1 mm max height**

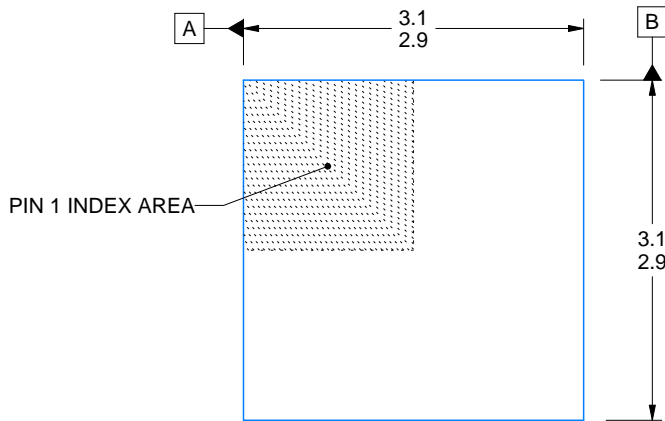
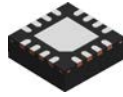
PLASTIC QUAD FLATPACK - NO LEAD



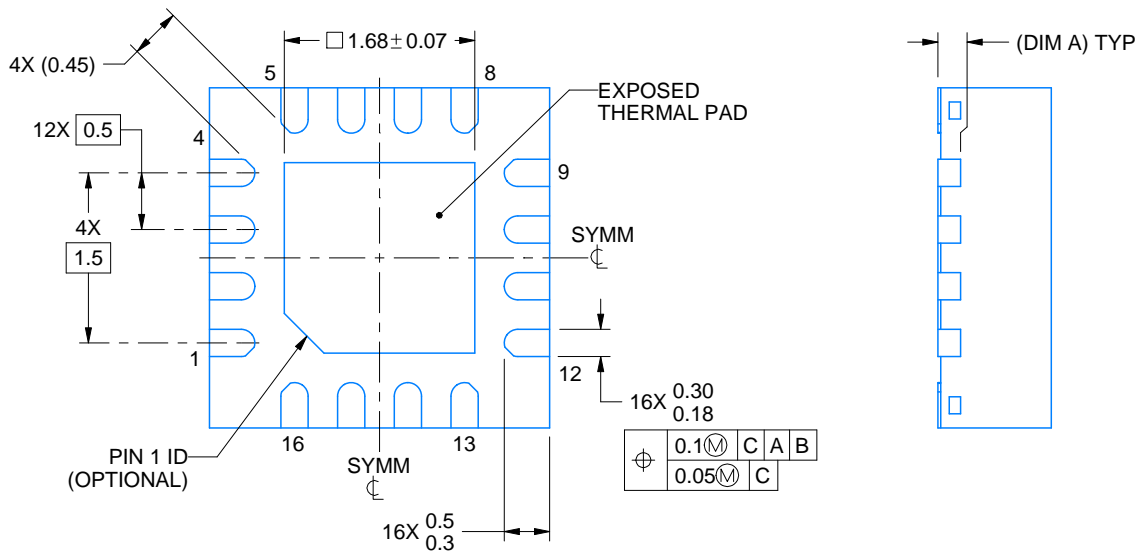
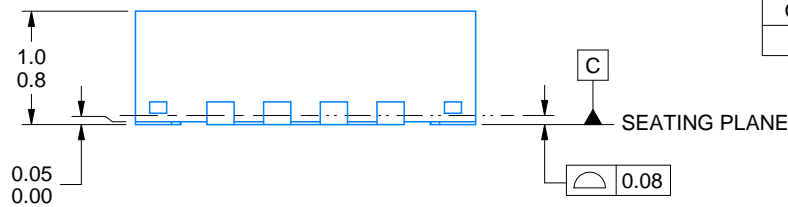
Images above are just a representation of the package family, actual package may vary.  
Refer to the product data sheet for package details.

4203495/1





SIDE WALL METAL THICKNESS DIM A	
OPTION 1	OPTION 2
0.1	0.2



4222419/E 07/2025

NOTES:

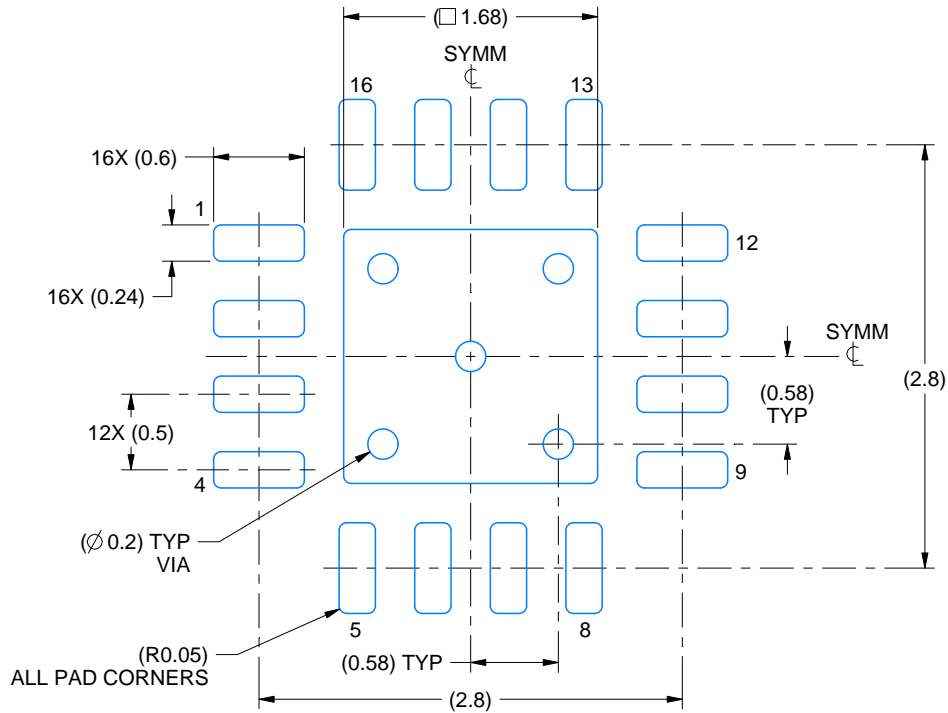
1. All linear dimensions are in millimeters. Any dimensions in parenthesis are for reference only. Dimensioning and tolerancing per ASME Y14.5M.
2. This drawing is subject to change without notice.
3. The package thermal pad must be soldered to the printed circuit board for thermal and mechanical performance.

# EXAMPLE BOARD LAYOUT

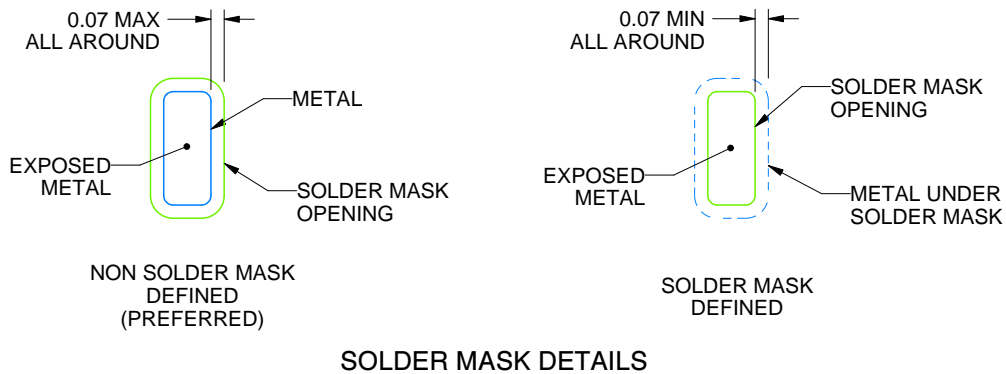
RGT0016C

VQFN - 1 mm max height

PLASTIC QUAD FLATPACK - NO LEAD



LAND PATTERN EXAMPLE  
EXPOSED METAL SHOWN  
SCALE:20X



SOLDER MASK DETAILS

4222419/E 07/2025

NOTES: (continued)

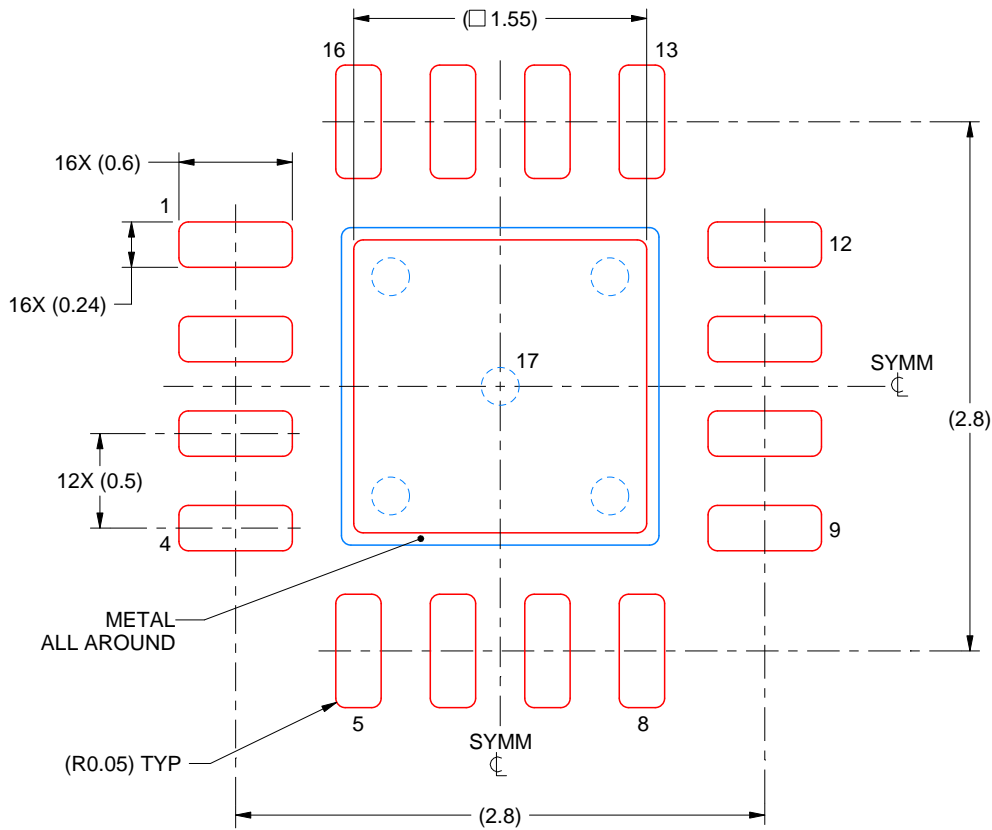
4. This package is designed to be soldered to a thermal pad on the board. For more information, see Texas Instruments literature number SLUA271 ([www.ti.com/lit/sluea271](http://www.ti.com/lit/sluea271)).
5. Vias are optional depending on application, refer to device data sheet. If any vias are implemented, refer to their locations shown on this view. It is recommended that vias under paste be filled, plugged or tented.

# EXAMPLE STENCIL DESIGN

RGT0016C

VQFN - 1 mm max height

PLASTIC QUAD FLATPACK - NO LEAD



**SOLDER PASTE EXAMPLE**  
BASED ON 0.125 mm THICK STENCIL

EXPOSED PAD 17:  
85% PRINTED SOLDER COVERAGE BY AREA UNDER PACKAGE  
SCALE:25X

4222419/E 07/2025

NOTES: (continued)

6. Laser cutting apertures with trapezoidal walls and rounded corners may offer better paste release. IPC-7525 may have alternate design recommendations.

## 重要通知和免责声明

TI“按原样”提供技术和可靠性数据（包括数据表）、设计资源（包括参考设计）、应用或其他设计建议、网络工具、安全信息和其他资源，不保证没有瑕疵且不做任何明示或暗示的担保，包括但不限于对适销性、与某特定用途的适用性或不侵犯任何第三方知识产权的暗示担保。

这些资源可供使用 TI 产品进行设计的熟练开发人员使用。您将自行承担以下全部责任：(1) 针对您的应用选择合适的 TI 产品，(2) 设计、验证并测试您的应用，(3) 确保您的应用满足相应标准以及任何其他安全、安保法规或其他要求。

这些资源如有变更，恕不另行通知。TI 授权您仅可将这些资源用于研发本资源所述的 TI 产品的相关应用。严禁以其他方式对这些资源进行复制或展示。您无权使用任何其他 TI 知识产权或任何第三方知识产权。对于因您对这些资源的使用而对 TI 及其代表造成的任何索赔、损害、成本、损失和债务，您将全额赔偿，TI 对此概不负责。

TI 提供的产品受 [TI 销售条款](#)、[TI 通用质量指南](#) 或 [ti.com](#) 上其他适用条款或 TI 产品随附的其他适用条款的约束。TI 提供这些资源并不会扩展或以其他方式更改 TI 针对 TI 产品发布的适用的担保或担保免责声明。除非德州仪器 (TI) 明确将某产品指定为定制产品或客户特定产品，否则其产品均为按确定价格收入目录的标准通用器件。

TI 反对并拒绝您可能提出的任何其他或不同的条款。

版权所有 © 2025，德州仪器 (TI) 公司

最后更新日期：2025 年 10 月