

# 具有集成反向输入极性保护的 TPS2660x 60V 2A 工业电子保险丝

## 1 特性

- 4.2V 至 60V 工作电压，绝对最大值为 62V
- 集成反向输入极性保护，低至 -60V
  - 无需额外组件
- 总 RON 为 150mΩ 的集成背对背 MOSFET
- 0.1A 至 2.23A 可调节电流限制  
(1A 时精确度为 ±5%)
- **提供功能安全**
  - 提供文档以帮助创建功能安全系统设计
- 使用最少的外部组件在浪涌期间提供负载保护 (IEC 61000-4-5)
- IMON 电流指示器输出 (精度为 ±8.5%)
- 低静态电流，工作时为 300μA，关断时为 20μA
- 可调节的 UVLO、OVP 切断、输出压摆率控制
- 反向电流阻断
- 38V 固定过压钳位 (仅限 TPS26602)
- 采用易于使用的 16 引脚 HTSSOP 和 24 引脚 VQFN 封装
- 可选电流限制故障响应选项 (自动重试、闭锁、断路器模式)
- 经 UL 2367 认证
  - 文件编号 169910
  - $R_{ILIM} \geq 5.36k\Omega$  (最大电流为 2.35A)
- UL60950 - 单点故障测试期间安全
  - 开路/短路 ILIM 检测

## 2 应用

- 可编程逻辑控制器
- 分布式控制系统 (DCS)
- 控制和自动化
- 冗余电源 ORing
- 工业级浪涌保护

## 3 说明

TPS2660x 器件是一系列功能丰富的紧凑型高电压电子保险丝，具有一整套保护功能。4.2V 至 60V 的宽电源输入范围可实现对众多常用直流总线电压的控制。器件可以承受并保护由高达 ±60V 的正负电源供电的负载。集成的背靠背 FET 提供反向电流阻断功能，因此器件非常适合在电源故障和欠压条件下要求保持输出电压的系统。该器件还具备许多可调功能，可提供负载、电源和器件保护功能包括过流保护、输出转换率和过压保护以及欠压保护。TPS2660x 内部可靠的保护控制模块以及高耐压值有助于简化针对浪涌保护的系统设计。

借助关断引脚，可以从外部控制内部 FET 的启用/禁用，还可以将器件置于低电流关断模式。为实现系统状态监视和下游负载控制，器件提供故障和精密电流监视输出。MODE 引脚有助于在三个限流故障响应 (断路器模式、闭锁模式和自动重试模式) 之间灵活地对器件进行配置。

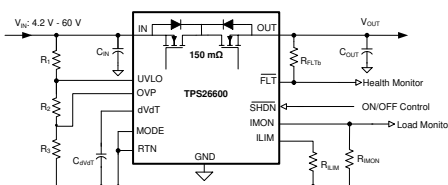
器件采用 5mm × 4.4mm、16 引脚 HTSSOP 封装和 5mm × 4mm、24 引脚 VQFN 封装；额定温度范围为 -40°C 至 +125°C。

### 器件信息<sup>(1)</sup>

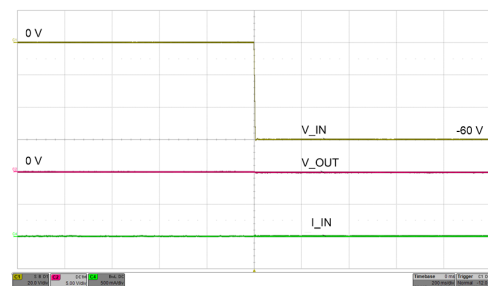
| 器件型号                             | 封装          | 封装尺寸 (标称值)      |
|----------------------------------|-------------|-----------------|
| TPS26600<br>TPS26602             | HTSSOP (16) | 5.00mm × 4.40mm |
| TPS26600<br>TPS26601<br>TPS26602 | VQFN (24)   | 5.00mm × 4.00mm |

(1) 如需了解所有可用封装，请参阅数据表末尾的可订购产品附录。

简化电路原理图



-60V 电源时的反向输入极性保护



## 目录

|          |  |           |           |   |           |
|----------|--|-----------|-----------|---|-----------|
| 1        | 特性 .....                                       | 1         | 9.4       | Device Functional Modes .....               | 27        |
| 2        | 应用 .....                                       | 1         | <b>10</b> | <b>Application and Implementation</b> ..... | <b>28</b> |
| 3        | 说明 .....                                       | 1         | 10.1      | Application Information .....               | 28        |
| 4        | 修订历史记录 .....                                   | 2         | 10.2      | Typical Application .....                   | 28        |
| 5        | <b>Device Comparison Table</b> .....           | <b>4</b>  | 10.3      | System Examples .....                       | 34        |
| 6        | <b>Pin Configuration and Functions</b> .....   | <b>4</b>  | 10.4      | Do's and Don'ts .....                       | 37        |
| 7        | <b>Specifications</b> .....                    | <b>6</b>  | <b>11</b> | <b>Power Supply Recommendations</b> .....   | <b>38</b> |
| 7.1      | Absolute Maximum Ratings .....                 | 6         | 11.1      | Transient Protection .....                  | 38        |
| 7.2      | ESD Ratings .....                              | 6         | <b>12</b> | <b>Layout</b> .....                         | <b>39</b> |
| 7.3      | Recommended Operating Conditions .....         | 6         | 12.1      | Layout Guidelines .....                     | 39        |
| 7.4      | Thermal Information .....                      | 6         | 12.2      | Layout Example .....                        | 40        |
| 7.5      | Electrical Characteristics .....               | 7         | <b>13</b> | <b>器件和文档支持</b> .....                        | <b>42</b> |
| 7.6      | Timing Requirements .....                      | 9         | 13.1      | 器件支持 .....                                  | 42        |
| 7.7      | Typical Characteristics .....                  | 10        | 13.2      | 文档支持 .....                                  | 42        |
| <b>8</b> | <b>Parameter Measurement Information</b> ..... | <b>16</b> | 13.3      | 接收文档更新通知 .....                              | 42        |
| <b>9</b> | <b>Detailed Description</b> .....              | <b>17</b> | 13.4      | 社区资源 .....                                  | 42        |
| 9.1      | Overview .....                                 | 17        | 13.5      | 商标 .....                                    | 42        |
| 9.2      | Functional Block Diagram .....                 | 18        | 13.6      | 静电放电警告 .....                                | 42        |
| 9.3      | Feature Description .....                      | 18        | 13.7      | Glossary .....                              | 42        |
|          |  |           | <b>14</b> | <b>机械、封装和可订购信息</b> .....                    | <b>42</b> |

## 4 修订历史记录

| Changes from Revision F (August 2019) to Revision G | Page |
|---|------|
| • 向 <a href="#">特性</a> 部分添加了提供功能安全的链接 .....         | 1    |

| Changes from Revision E (November 2017) to Revision F   | Page |
|---|------|
| • 将工作电压从 55V 更改为 60V，将绝对最大值从 60V 更改为 62V（在 <a href="#">特性</a> 部分） .....   | 1    |
| • 将 <a href="#">说明</a> 部分和 <a href="#">简化原理图</a> 中的输入范围从 55V 更改为 60V .....  | 1    |
| • Changed Input voltage MAX from 60 V to 62 V in the <i>Absolute Maximum Ratings</i> table .....  | 6    |
| • Changed Input voltage MAX from 55 V to 60 V in the <i>Recommended Operating Conditions</i> table .....  | 6    |
| • Changed Operating input voltage MAX from 55 V to 60 V in the <i>Electrical Characteristics</i> table .....  | 7    |
| • Added OVP <sub>MAX</sub> to the Overvoltage Protection section in the <i>Electrical Characteristics</i> table .....   | 7    |
| • Changed voltage range from 55 V to 60 V in the <i>Detailed Description</i> , <i>Application and Implementation</i> and <i>Power Supply Recommendations</i> sections ..... | 17   |

| Changes from Revision D (April 2017) to Revision E | Page |
|--|------|
| • 更新了 <a href="#">故障响应</a> 部分 .....                | 1    |

| Changes from Revision C (March 2017) to Revision D | Page |
|--|------|
| • Updated <i>Pin Functions</i> table .....         | 4    |

| Changes from Revision B (Feb 2017) to Revision C | Page |
|--|------|
| • 更新了 <a href="#">特性</a> 部分中的 UL 认证 .....        | 1    |

---

**Changes from Revision A (Aug 2016) to Revision B**
**Page**

|  |   |
|--|---|
| • 添加了 RHF 封装 .....   | 1 |
| • Changed "Reverse input supply current" from "52" to "66" in the <i>Electrical Characteristics</i> table.....   | 7 |
| • Changed "UVLO threshold voltage, falling" from "1.095" to "1.08" in the <i>Electrical Characteristics</i> table.....                                     | 7 |
| • Changed "Over-voltage threshold voltage, rising" from "1.175" to "1.17" in the <i>Electrical Characteristics</i> table.....                              | 7 |
| • Changed "Over-voltage threshold voltage, falling" from "1.095" to "1.085" in the <i>Electrical Characteristics</i> table.....                            | 7 |
| • Changed " $I_{kg(OUT)}$ " from "35" to "50" in the <i>Electrical Characteristics</i> table.....  | 8 |
| • Changed $\overline{FLT}$ input leakage current from "-100" to "-200" (MIN) and "100" to "200" (MAX) in the <i>Electrical Characteristics</i> table ..... | 8 |

---

**Changes from Original (July 2016) to Revision A**
**Page**

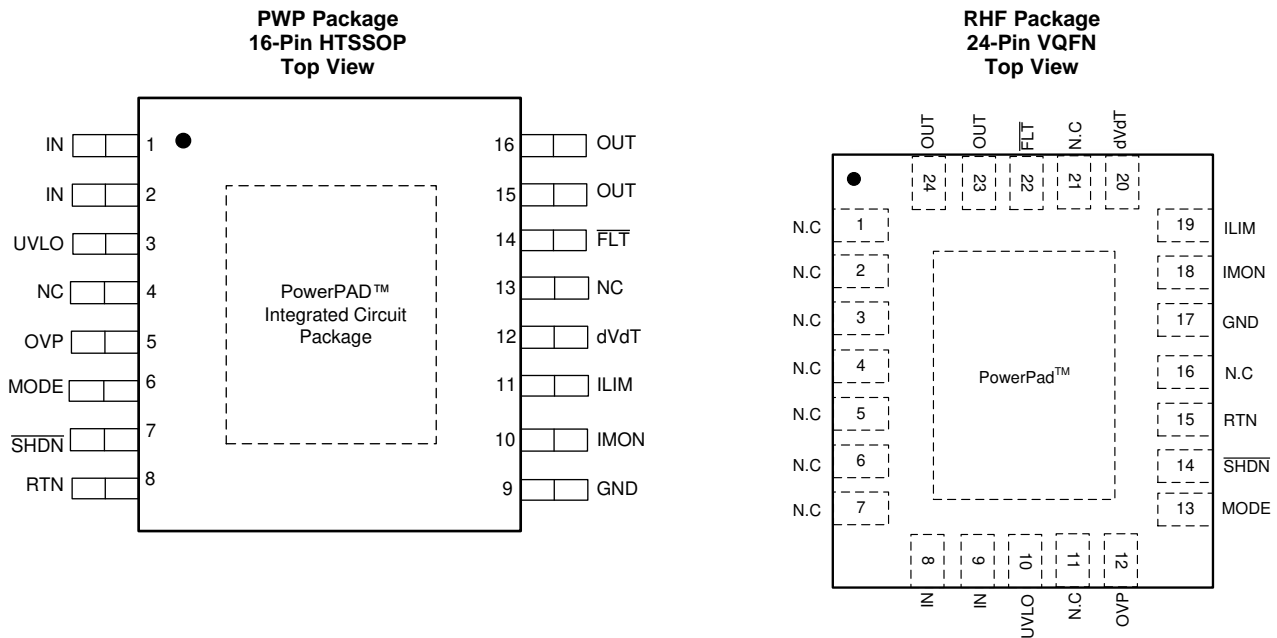
|                            |   |
|----------------------------|---|
| • 将器件状态从产品预发布 更改为生产数据..... | 1 |
|----------------------------|---|

---

## 5 Device Comparison Table

| Part Number | Overvoltage Protection          | Over Load Fault Response with MODE = Open |
|-------------|---------------------------------|---|
| TPS26600    | Overvoltage cut-off, adjustable | Circuit breaker with auto-retry           |
| TPS26601    | Overvoltage cut-off, adjustable | Circuit breaker with latch                |
| TPS26602    | Overvoltage clamp, fixed (38 V) | Circuit breaker with auto-retry           |

## 6 Pin Configuration and Functions



### Pin Functions

| NAME | PIN                    |      | TYPE  | DESCRIPTION  |
|------|------------------------|------|-------|--|
|      | TPS26600/1/2<br>HTSSOP | VQFN |       |  |
| dVdT | 12                     | 20   | I/O   | A capacitor from this pin to RTN sets output voltage slew rate. See the <a href="#">Hot Plug-In and In-Rush Current Control</a> section.   |
| FLT  | 14                     | 22   | O     | Fault event indicator. It is an open drain output. If unused, leave floating.  |
| GND  | 9                      | 17   | —     | Connect GND to system ground.  |
| ILIM | 11                     | 19   | I/O   | A resistor from this pin to RTN sets the overload and short-circuit current limit. See the <a href="#">Overload and Short Circuit Protection</a> section.  |
| IMON | 10                     | 18   | O     | Analog current monitor output. This pin sources a scaled down ratio of current through the internal FET. A resistor from this pin to RTN converts current to proportional voltage. If unused, leave it floating. |
| IN   | 1                      | 8    | Power | Power input and supply voltage of the device.  |
|      | 2                      | 9    |       |  |
| MODE | 6                      | 13   | I     | Mode selection pin for over load fault response. See the <a href="#">Device Functional Modes</a> section.  |
| N.C. | 13                     | 1-7  | —     | No connect   |
|      |                        | 11   |       |  |
|      |                        | 16   |       |  |
|      |                        | 21   |       |  |

**Pin Functions (continued)**

| NAME              | PIN          |      | TYPE  | DESCRIPTION   |
|-------------------|--------------|------|-------|---|
|                   | TPS26600/1/2 |      |       |   |
|                   | HTSSOP       | VQFN |       |   |
| OUT               | 15           | 23   | Power | Power output of the device  |
|                   | 16           | 24   |       |   |
| OVP               | 5            | 12   | I     | Input for setting the programmable overvoltage protection threshold (For TPS26600/1 only). An overvoltage event turns off the internal FET and asserts $\overline{FLT}$ to indicate the overvoltage fault. Connect OVP pin to RTN pin externally to select the internal default threshold. For overvoltage clamp response (TPS26602 Only) connect OVP to RTN externally |
| PowerPad™         | —            | —    | —     | PowerPad must be connected to RTN plane on PCB using multiple vias for enhanced thermal performance. Do not use PowerPad as the only electrical connection to RTN   |
| RTN               | 8            | 15   | —     | Reference for device internal control circuits  |
| $\overline{SHDN}$ | 7            | 14   | I     | Shutdown pin. Pulling $\overline{SHDN}$ low makes the device to enter into low power shutdown mode. Cycling $\overline{SHDN}$ pin voltage resets the device that has latched off due to a fault condition   |
| UVLO              | 3            | 10   | I     | Input for setting the programmable undervoltage lockout threshold. An undervoltage event turns off the internal FET and asserts $\overline{FLT}$ to indicate the power-failure. Connect UVLO pin to RTN pin to select the internal default threshold  |

## 7 Specifications

### 7.1 Absolute Maximum Ratings

over operating free-air temperature range (all voltages referred to GND (unless otherwise noted))<sup>(1)</sup>

|   |                                | MIN                | MAX                | UNIT |
|---|--------------------------------|--------------------|--------------------|------|
| IN, IN-OUT  | Input voltage                  | -60                | 62                 | V    |
| IN, IN-OUT (10 ms transient), T <sub>A</sub> = 25°C                         |                                | -70                | 70                 | V    |
| [IN, OUT, $\overline{\text{FLT}}$ , UVLO, $\overline{\text{SHDN}}$ ] to RTN |                                | -0.3               | 62                 | V    |
| [OVP, dVdT, ILIM, IMON, MODE] to RTN  |                                | -0.3               | 5                  | V    |
| RTN   |                                | -60                | 0.3                | V    |
| I $\overline{\text{FLT}}$ , I <sub>dVdT</sub> , I $\overline{\text{SHDN}}$  | Sink current                   |                    | 10                 | mA   |
| I <sub>dVdT</sub> , I <sub>ILIM</sub> , I <sub>IMON</sub>                   | Source current                 | Internally limited |                    |      |
| T <sub>J</sub>  | Operating junction temperature | -40                | 150                | °C   |
|   | Transient junction temperature | -65                | T <sub>(TSD)</sub> | °C   |
| T <sub>stg</sub>  | Storage temperature            | -65                | 150                | °C   |

(1) Stresses beyond those listed under *Absolute Maximum Ratings* may cause permanent damage to the device. These are stress ratings only, which do not imply functional operation of the device at these or any other conditions beyond those indicated under *Recommended Operating Conditions*. Exposure to absolute-maximum-rated conditions for extended periods may affect device reliability.

### 7.2 ESD Ratings

|  |  | VALUE | UNIT |
|--|--|-------|------|
| V <sub>(ESD)</sub> Electrostatic discharge | Human-body model (HBM), per ANSI/ESDA/JEDEC JS-001 <sup>(1)</sup>              | ±1000 | V    |
|  | Charged-device model (CDM), per JEDEC specification JESD22-C101 <sup>(2)</sup> | ±250  |      |

(1) JEDEC document JEP155 states that 500-V HBM allows safe manufacturing with a standard ESD control process.

(2) JEDEC document JEP157 states that 250-V CDM allows safe manufacturing with a standard ESD control process.

### 7.3 Recommended Operating Conditions

over operating free-air temperature range (all voltages referred to GND (unless otherwise noted))

|   |                                     | MIN  | NOM | MAX | UNIT |
|---|-------------------------------------|------|-----|-----|------|
| IN  | Input voltage                       | -55  |     | 60  | V    |
| UVLO, OUT, $\overline{\text{FLT}}$              |                                     | 0    |     | 60  |      |
| OVP, dVdT, ILIM, IMON, $\overline{\text{SHDN}}$ |                                     | 0    |     | 4   |      |
| ILIM  | Resistance                          | 5.36 |     | 120 | kΩ   |
| IMON  |                                     | 1    |     |     |      |
| IN, OUT   | External capacitance                | 0.1  |     |     | μF   |
| dVdT  |                                     | 10   |     |     | nF   |
| -dV <sub>(IN)</sub> /dt                         | V <sub>(IN)</sub> falling slew rate |      |     | 20  | V/μs |
| T <sub>J</sub>                                  | Operating junction temperature      | -40  | 25  | 125 | °C   |

### 7.4 Thermal Information

| THERMAL METRIC <sup>(1)</sup> |  | TPS2660      |            | UNIT |
|-------------------------------|--|--------------|------------|------|
|                               |  | PWP (HTSSOP) | RHF (VQFN) |      |
|                               |  | 16 PINS      | 24 PINS    |      |
| R <sub>θJA</sub>              | Junction-to-ambient thermal resistance       | 38.6         | 30.2       | °C/W |
| R <sub>θJC(top)</sub>         | Junction-to-case (top) thermal resistance    | 22.7         | 20.8       | °C/W |
| R <sub>θJB</sub>              | Junction-to-board thermal resistance         | 18.2         | 7.6        | °C/W |
| ψ <sub>JT</sub>               | Junction-to-top characterization parameter   | 0.5          | 0.2        | °C/W |
| ψ <sub>JB</sub>               | Junction-to-board characterization parameter | 18           | 7.6        | °C/W |
| R <sub>θJC(bot)</sub>         | Junction-to-case (bottom) thermal resistance | 1.5          | 1.7        | °C/W |

(1) For more information about traditional and new thermal metrics, see the [Semiconductor and IC Package Thermal Metrics](#) application report.

## 7.5 Electrical Characteristics

–40°C ≤ T<sub>A</sub> = T<sub>J</sub> ≤ +125°C, V<sub>(IN)</sub> = 24 V, V<sub>(SHDN)</sub> = 2 V, R<sub>(ILIM)</sub> = 120 kΩ, IMON = FLT = OPEN, C<sub>(OUT)</sub> = 1 μF, C<sub>(dVdT)</sub> = OPEN.  
(All voltages referenced to GND, (unless otherwise noted))

| PARAMETER                                 |   | TEST CONDITIONS  | MIN   | TYP   | MAX   | UNIT |
|---|---|--|-------|-------|-------|------|
| <b>SUPPLY VOLTAGE</b>                     |   |  |       |       |       |      |
| V <sub>(IN)</sub>                         | Operating input voltage                               |  | 4.2   |       | 60    | V    |
| V <sub>(PORR)</sub>                       | Internal POR threshold, rising                        |  | 3.9   | 4     | 4.1   | V    |
| V <sub>(PORHys)</sub>                     | Internal POR hysteresis                               |  | 250   | 275   | 300   | mV   |
| I <sub>Q(ON)</sub>                        | Supply current  | Enabled: V <sub>(SHDN)</sub> = 2 V   | 190   | 300   | 390   | μA   |
| I <sub>Q(OFF)</sub>                       |   | V <sub>(SHDN)</sub> = 0 V  | 11    | 20    | 33    | μA   |
| I <sub>(VINR)</sub>                       | Reverse input supply current                          | V <sub>(IN)</sub> = –60 V, V <sub>(OUT)</sub> = 0 V  |       |       | 66    | μA   |
| V <sub>(OVC)</sub>                        | Overvoltage clamp                                     | V <sub>(IN)</sub> > 42 V, TPS26602 only  | 36    | 37.5  | 40    | V    |
| <b>UNDERVOLTAGE LOCKOUT (UVLO) INPUT</b>  |   |  |       |       |       |      |
| V <sub>(IN_UVLO)</sub>                    | Factory set V <sub>(IN)</sub> undervoltage trip level | V <sub>(IN)</sub> rising, V <sub>(UVLO)</sub> = 0 V  | 14.25 | 14.9  | 15.75 | V    |
|   |   | V <sub>(IN)</sub> falling, V <sub>(UVLO)</sub> = 0 V   | 13.25 | 13.8  | 14.75 |      |
| V <sub>(SEL_UVLO)</sub>                   | Internal UVLO select threshold                        |  | 180   | 200   | 240   | mV   |
| V <sub>(UVLOR)</sub>                      | UVLO threshold voltage, rising                        |  | 1.175 | 1.19  | 1.225 | V    |
| V <sub>(UVLOF)</sub>                      | UVLO threshold voltage, falling                       |  | 1.08  | 1.1   | 1.125 | V    |
| I <sub>(UVLO)</sub>                       | UVLO input leakage current                            | 0 V ≤ V <sub>(UVLO)</sub> ≤ 60 V   | –100  | 0     | 100   | nA   |
| <b>LOW IQ SHUTDOWN (SHDN) INPUT</b>       |   |  |       |       |       |      |
| V <sub>(SHDN)</sub>                       | Output voltage  | I <sub>(SHDN)</sub> = 0.1 μA   | 2     | 2.7   | 3.4   | V    |
| V <sub>(SHUTF)</sub>                      | SHDN threshold voltage for low IQ shutdown, falling   |  | 0.55  | 0.76  | 0.94  | V    |
| I <sub>(SHDN)</sub>                       | Leakage current                                       | V <sub>(SHDN)</sub> = 0.4 V  | –10   |       |       | μA   |
| <b>OVERVOLTAGE PROTECTION (OVP) INPUT</b> |   |  |       |       |       |      |
| V <sub>(IN_OVP)</sub>                     | Factory set V <sub>(IN)</sub> overvoltage trip level  | V <sub>(IN)</sub> rising, V <sub>(OVP)</sub> = 0 V   | 31    | 32.6  | 34    | V    |
|   |   | V <sub>(IN)</sub> falling, V <sub>(OVP)</sub> = 0 V  | 28.5  | 30.3  | 31.5  |      |
| V <sub>(SEL_OVP)</sub>                    | Internal OVP select threshold                         |  | 180   | 200   | 240   | mV   |
| V <sub>(OVPR)</sub>                       | Overvoltage threshold voltage, rising                 |  | 1.17  | 1.19  | 1.225 | V    |
| V <sub>(OVPF)</sub>                       | Overvoltage threshold, falling                        |  | 1.085 | 1.1   | 1.125 | V    |
| I <sub>(OVP)</sub>                        | OVP input leakage current                             | 0 V ≤ V <sub>(OVP)</sub> ≤ 4 V   | –100  | 0     | 100   | nA   |
| OVP <sub>MAX</sub>                        | Maximum external OVP setting                          | TPS26600, TPS26601 only  |       |       | 55    | V    |
| <b>OUTPUT RAMP CONTROL (dVdT)</b>         |   |  |       |       |       |      |
| I <sub>(dVdT)</sub>                       | dVdT charging current                                 | V <sub>(dVdT)</sub> = 0 V  | 4     | 4.7   | 5.5   | μA   |
| R <sub>(dVdT)</sub>                       | dVdT discharging resistance                           | V <sub>(SHDN)</sub> = 0 V, with I <sub>(dVdT)</sub> = 10 mA sinking                              |       | 14    |       | Ω    |
| GAIN <sub>(dVdT)</sub>                    | dVdT to OUT gain                                      | V <sub>(OUT)</sub> /V <sub>(dVdT)</sub>  | 23.75 | 24.6  | 25.5  | V/V  |
| <b>CURRENT LIMIT PROGRAMMING (ILIM)</b>   |   |  |       |       |       |      |
| V <sub>(ILIM)</sub>                       | ILIM bias voltage                                     |  |       | 1     |       | V    |
| I <sub>(OL)</sub>                         |   | R <sub>(ILIM)</sub> = 120 kΩ, V <sub>(IN)</sub> – V <sub>(OUT)</sub> = 1 V                       | 0.085 | 0.1   | 0.115 | A    |
|   |   | R <sub>(ILIM)</sub> = 12 kΩ, V <sub>(IN)</sub> – V <sub>(OUT)</sub> = 1 V                        | 0.95  | 1     | 1.05  |      |
|   |   | R <sub>(ILIM)</sub> = 8 kΩ, V <sub>(IN)</sub> – V <sub>(OUT)</sub> = 1 V                         | 1.425 | 1.5   | 1.575 |      |
|   |   | R <sub>(ILIM)</sub> = 5.36 kΩ, V <sub>(IN)</sub> – V <sub>(OUT)</sub> = 1 V                      | 2.11  | 2.23  | 2.35  |      |
| I <sub>(OL_R-OPEN)</sub>                  | Overload current limit                                | R <sub>(ILIM)</sub> = OPEN, open resistor current limit (single point failure test: UL60950)     |       | 0.055 |       |      |
| I <sub>(OL_R-SHORT)</sub>                 |   | R <sub>(ILIM)</sub> = SHORT, shorted resistor current limit (single point failure test: UL60950) |       | 0.095 |       |      |
| I <sub>(CB)</sub>                         | Circuit breaker detection threshold                   | R <sub>(ILIM)</sub> = 120 kΩ, MODE = open  | 0.045 | 0.073 | 0.11  | A    |
|   |   | R <sub>(ILIM)</sub> = 5.36 kΩ, MODE = open   | 2     | 2.21  | 2.4   |      |

**Electrical Characteristics (continued)**

$-40^{\circ}\text{C} \leq T_A = T_J \leq +125^{\circ}\text{C}$ ,  $V_{(IN)} = 24\text{ V}$ ,  $V_{(\overline{\text{SHDN}})} = 2\text{ V}$ ,  $R_{(ILIM)} = 120\text{ k}\Omega$ ,  $\overline{\text{FLT}} = \text{OPEN}$ ,  $C_{(OUT)} = 1\text{ }\mu\text{F}$ ,  $C_{(dVdT)} = \text{OPEN}$ .  
 (All voltages referenced to GND, (unless otherwise noted))

| PARAMETER  | TEST CONDITIONS   | MIN  | TYP                            | MAX   | UNIT  |                                      |
|--|---|--|--------------------------------|-------|-------|--------------------------------------|
| $I_{(SCL)}$  | Short-circuit current limit   | $R_{(ILIM)} = 120\text{ k}\Omega$ , $V_{(IN)} - V_{(OUT)} = 5\text{ V}$                                      | 0.08                           | 0.1   | 0.12  | A                                    |
|  |   | $R_{(ILIM)} = 8\text{ k}\Omega$ , $V_{(IN)} - V_{(OUT)} = 5\text{ V}$  | 1.425                          | 1.5   | 1.575 |                                      |
|  |   | $R_{(ILIM)} = 5.36\text{ k}\Omega$ , $V_{(IN)} - V_{(OUT)} = 5\text{ V}$                                     | 2.11                           | 2.23  | 2.35  |                                      |
| $I_{(FASTTRIP)}$   | Fast-trip comparator threshold  |  | $1.87 \times I_{(OL)} + 0.015$ |       | A     |                                      |
| <b>CURRENT MONITOR OUTPUT (IMON)</b>                               |   |  |                                |       |       |                                      |
| $GAIN_{(IMON)}$  | Gain factor $I_{(IMON)}:I_{(OUT)}$  | $0.1\text{ A} \leq I_{(OUT)} \leq 2\text{ A}$  | 72                             | 78.28 | 85    | $\mu\text{A/A}$                      |
| <b>PASS FET OUTPUT (OUT)</b>                                       |   |  |                                |       |       |                                      |
| $R_{ON}$   | IN to OUT total ON resistance   | $0.1\text{ A} \leq I_{(OUT)} \leq 2\text{ A}$ , $T_J = 25^{\circ}\text{C}$                                   | 140                            | 150   | 160   | m $\Omega$                           |
|  |   | $0.1\text{ A} \leq I_{(OUT)} \leq 2\text{ A}$ , $T_J = 85^{\circ}\text{C}$                                   |                                |       | 210   |                                      |
|  |   | $0.1\text{ A} \leq I_{(OUT)} \leq 2\text{ A}$ , $-40^{\circ}\text{C} \leq T_J \leq +125^{\circ}\text{C}$     | 80                             | 150   | 250   |                                      |
| $I_{(kg)(OUT)}$  | OUT leakage current in Off state  | $V_{(IN)} = 60\text{ V}$ , $V_{(\overline{\text{SHDN}})} = 0\text{ V}$ , $V_{(OUT)} = 0\text{ V}$ , sourcing |                                |       | 12    | $\mu\text{A}$                        |
|  |   | $V_{(IN)} = 0\text{ V}$ , $V_{(\overline{\text{SHDN}})} = 0\text{ V}$ , $V_{(OUT)} = 24\text{ V}$ , sinking  |                                |       | 11    |                                      |
|  |   | $V_{(IN)} = -60\text{ V}$ , $V_{(\overline{\text{SHDN}})} = 0\text{ V}$ , $V_{(OUT)} = 0\text{ V}$ , sinking |                                |       | 50    |                                      |
| $V_{(REVTH)}$  | $V_{(IN)} - V_{(OUT)}$ threshold for reverse protection comparator, falling |  | -15                            | -10   | -5    | mV                                   |
| $V_{(FWDTH)}$  | $V_{(IN)} - V_{(OUT)}$ threshold for reverse protection comparator, rising  |  | 85                             | 96    | 110   | mV                                   |
| <b>FAULT FLAG (<math>\overline{\text{FLT}}</math>): ACTIVE LOW</b> |   |  |                                |       |       |                                      |
| $R_{(\overline{\text{FLT}})}$                                      | $\overline{\text{FLT}}$ pull-down resistance                                | $V_{(OVP)} = 2\text{ V}$ , $I_{(\overline{\text{FLT}})} = 5\text{ mA}$ sinking                               | 40                             | 85    | 160   | $\Omega$                             |
| $I_{(\overline{\text{FLT}})}$                                      | $\overline{\text{FLT}}$ input leakage current                               | $0\text{ V} \leq V_{(\overline{\text{FLT}})} \leq 60\text{ V}$   | -200                           |       | 200   | nA                                   |
| <b>THERMAL SHUT DOWN (TSD)</b>                                     |   |  |                                |       |       |                                      |
| $T_{(TSD)}$  | TSD threshold, rising   |  | 157                            |       |       | $^{\circ}\text{C}$                   |
| $T_{(TSDhyst)}$  | TSD hysteresis  |  | 10                             |       |       | $^{\circ}\text{C}$                   |
| <b>MODE</b>  |   |  |                                |       |       |                                      |
| MODE_SEL   | Thermal fault mode selection  | MODE = 402 k $\Omega$ to RTN   |                                |       |       | Current limiting with latch          |
|  |   | MODE = Open  |                                |       |       | Circuit breaker mode with auto-retry |
|  |   | MODE = Open (TPS26601 only)  |                                |       |       | Circuit breaker mode with latch      |
|  |   | MODE = Short to RTN  |                                |       |       | Current limiting with auto-retry     |

## 7.6 Timing Requirements

–40°C ≤ T<sub>A</sub> = T<sub>J</sub> ≤ +125°C, V<sub>(IN)</sub> = 24 V, V<sub>(SHDN)</sub> = 2 V, R<sub>(ILIM)</sub> = 120 kΩ, IMON =  $\overline{\text{FLT}}$  = OPEN, C<sub>(OUT)</sub> = 1 μF, C<sub>(dVdT)</sub> = OPEN.  
(All voltages referenced to GND, (unless otherwise noted))

|  |   |   | MIN | NOM                                    | MAX | UNIT |
|--|---|---|-----|--|-----|------|
| <b>IN AND UVLO INPUT</b>                               |   |   |     |  |     |      |
| UVLO_t <sub>ON(dly)</sub>                              | UVLO turnon delay   | UVLO↑ (100 mV above V <sub>(UVLOR)</sub> ) to V <sub>(OUT)</sub> = 100 mV, C <sub>(dVdT)</sub> = open                               |     | 250                                    |     | μs   |
|  |   | UVLO↑ (100 mV above V <sub>(UVLOR)</sub> ) to V <sub>(OUT)</sub> = 100 mV, C <sub>(dVdT)</sub> ≥ 10 nF, [C <sub>(dVdT)</sub> in nF] |     | 250 +<br>14.5 ×<br>C <sub>(dVdT)</sub> |     | μs   |
| UVLO_t <sub>off(dly)</sub>                             | UVLO turnoff delay  | UVLO↓ (100 mV below V <sub>(UVLOF)</sub> ) to $\overline{\text{FLT}}\downarrow$   |     | 10                                     |     | μs   |
| <b>SHUTDOWN CONTROL INPUT (SHDN)</b>                   |   |   |     |  |     |      |
| t <sub>SD(dly)</sub>                                   | SHUTDOWN exit delay   | $\overline{\text{SHDN}}\uparrow$ to V <sub>(OUT)</sub> = 100 mV, C <sub>(dVdT)</sub> ≥ 10 nF, [C <sub>(dVdT)</sub> in nF]           |     | 250 +<br>14.5 ×<br>C <sub>(dVdT)</sub> |     | μs   |
|  |   | $\overline{\text{SHDN}}\uparrow$ to V <sub>(OUT)</sub> = 100 mV, C <sub>(dVdT)</sub> = open   |     | 250                                    |     | μs   |
|  | SHUTDOWN entry delay  | $\overline{\text{SHDN}}\downarrow$ (below V <sub>(SHUTF)</sub> ) to $\overline{\text{FLT}}\downarrow$                               |     | 10                                     |     | μs   |
| <b>OVER VOLTAGE PROTECTION INPUT (OVP)</b>             |   |   |     |  |     |      |
| t <sub>OVP(dly)</sub>                                  | OVP exit delay  | OVP↓ (20 mV below V <sub>(OVPR)</sub> ) to V <sub>(OUT)</sub> = 100 mV, TPS26600 & TPS26601 only                                    |     | 200                                    |     | μs   |
|  | OVP disable delay   | OVP↑ (20 mV above V <sub>(OVPR)</sub> ) to $\overline{\text{FLT}}\downarrow$ , TPS26600 and TPS26601 only                           |     | 6                                      |     | μs   |
| <b>CURRENT LIMIT</b>                                   |   |   |     |  |     |      |
| t <sub>FASTTRIP(dly)</sub>                             | Fast-trip comparator delay                                      | I <sub>(OUT)</sub> > I <sub>(FASTTRIP)</sub>  |     | 250                                    |     | ns   |
| <b>REVERSE PROTECTION COMPARATOR</b>                   |   |   |     |  |     |      |
| t <sub>REV(dly)</sub>                                  | Reverse protection comparator delay                             | (V <sub>(IN)</sub> – V <sub>(OUT)</sub> )↓ (100 mV overdrive below V <sub>(REVTH)</sub> ) to internal FET turn OFF                  |     | 1.5                                    |     | μs   |
|  |   | (V <sub>(IN)</sub> – V <sub>(OUT)</sub> )↓ (10 mV overdrive below V <sub>(REVTH)</sub> ) to $\overline{\text{FLT}}\downarrow$       |     | 45                                     |     |      |
| t <sub>FWD(dly)</sub>                                  |   | (V <sub>(IN)</sub> – V <sub>(OUT)</sub> )↑ (10 mV overdrive above V <sub>(FWDTH)</sub> ) to $\overline{\text{FLT}}\uparrow$         |     | 70                                     |     |      |
| <b>THERMAL SHUTDOWN</b>                                |   |   |     |  |     |      |
| t <sub>retry</sub>                                     | Retry delay in TSD  |   |     | 512                                    |     | ms   |
| <b>OUTPUT RAMP CONTROL (dVdT)</b>                      |   |   |     |  |     |      |
| t <sub>dVdT</sub>                                      | Output ramp time  | $\overline{\text{SHDN}}\uparrow$ to V <sub>(OUT)</sub> = 23.9 V, with C <sub>(dVdT)</sub> = 47 nF                                   |     | 10                                     |     | ms   |
|  |   | $\overline{\text{SHDN}}\uparrow$ to V <sub>(OUT)</sub> = 23.9 V, with C <sub>(dVdT)</sub> = open                                    |     | 1.6                                    |     |      |
| <b>FAULT FLAG (<math>\overline{\text{FLT}}</math>)</b> |   |   |     |  |     |      |
| t <sub>CB(dly)</sub>                                   | $\overline{\text{FLT}}$ assertion delay in circuit breaker mode | MODE = OPEN, delay from I <sub>(OUT)</sub> > I <sub>(OL)</sub> to $\overline{\text{FLT}}\downarrow$                                 |     | 4                                      |     | ms   |
| t <sub>CBretry(dly)</sub>                              | Retry delay in circuit breaker mode                             | MODE = OPEN   |     | 540                                    |     | ms   |
| t <sub>PGOODF</sub>                                    | PGOOD delay (de-glitch) time                                    | Falling edge  |     | 875                                    |     | μs   |
| t <sub>PGOODR</sub>                                    |   | Rising edge, C <sub>(dVdT)</sub> = open   |     | 1400                                   |     |      |
|  |   | Rising edge, C <sub>(dVdT)</sub> ≥ 10 nF, [C <sub>(dVdT)</sub> in nF]   |     | 875 +<br>20 ×<br>C <sub>(dVdT)</sub>   |     |      |

### 7.7 Typical Characteristics

$-40^{\circ}\text{C} \leq T_A = T_J \leq +125^{\circ}\text{C}$ ,  $V_{(IN)} = 24\text{ V}$ ,  $V_{(SHDN)} = 2\text{ V}$ ,  $R_{(ILIM)} = 120\text{ k}\Omega$ ,  $IMON = \overline{FLT} = \text{OPEN}$ ,  $C_{(OUT)} = 1\text{ }\mu\text{F}$ ,  $C_{(dvdT)} = \text{OPEN}$ .  
(Unless stated otherwise)

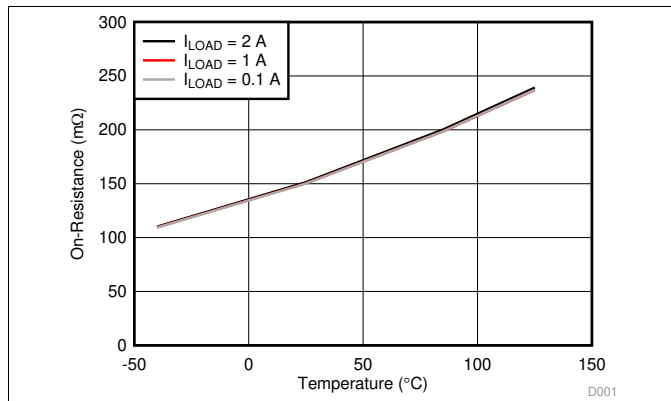


Figure 1. On-Resistance vs Temperature Across Load Current

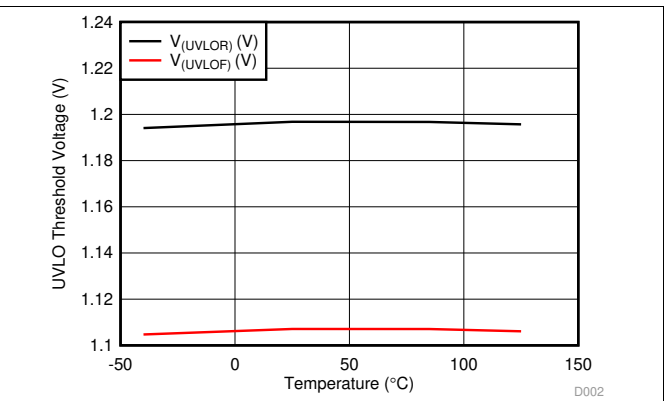


Figure 2. UVLO Threshold Voltage vs Temperature

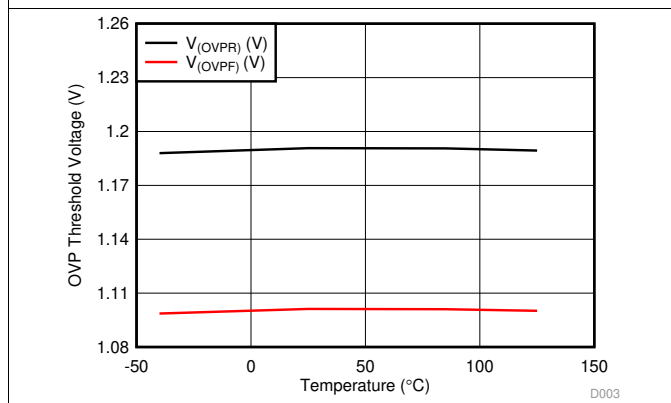


Figure 3. OVP Threshold Voltage vs Temperature

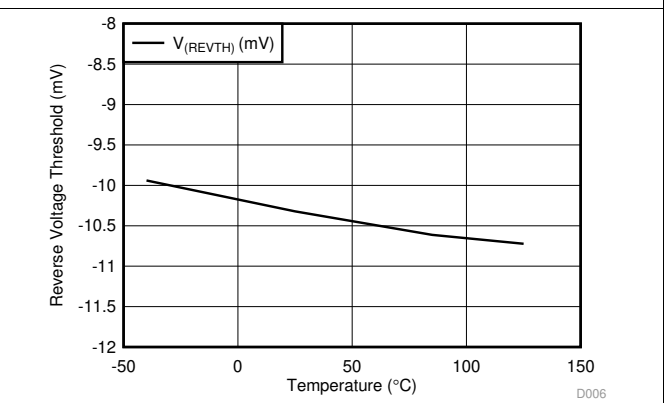


Figure 4. Reverse Voltage Threshold vs Temperature

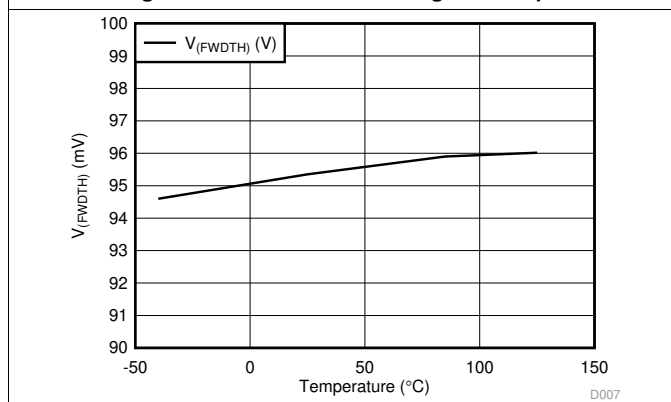


Figure 5.  $V_{(FWDTH)}$  vs Temperature

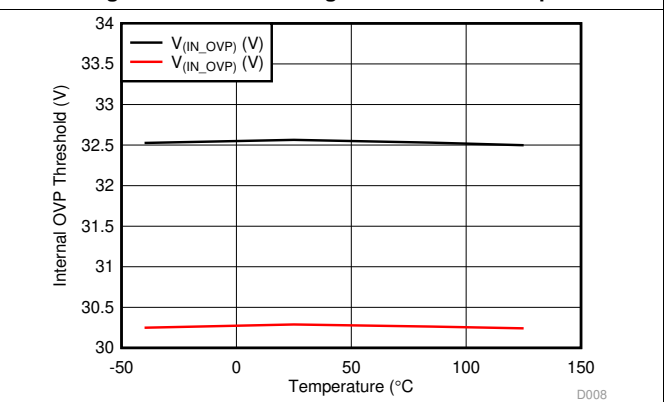


Figure 6. Internal OVP Threshold vs Temperature

Typical Characteristics (continued)

$-40^{\circ}\text{C} \leq T_A = T_J \leq +125^{\circ}\text{C}$ ,  $V_{(IN)} = 24\text{ V}$ ,  $V_{(SHDN)} = 2\text{ V}$ ,  $R_{(ILIM)} = 120\text{ k}\Omega$ ,  $\text{IMON} = \overline{\text{FLT}} = \text{OPEN}$ ,  $C_{(OUT)} = 1\text{ }\mu\text{F}$ ,  $C_{(dVdT)} = \text{OPEN}$ .  
(Unless stated otherwise)

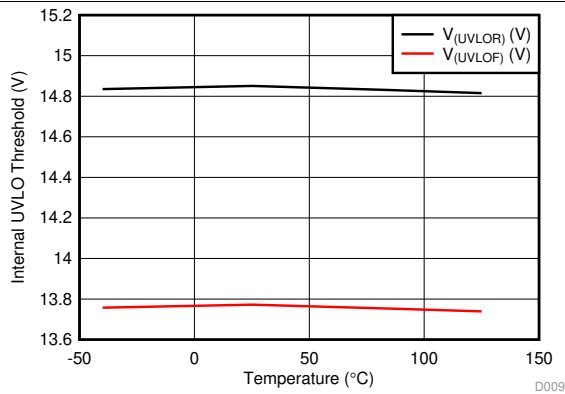


Figure 7. Internal UVLO Threshold vs Temperature

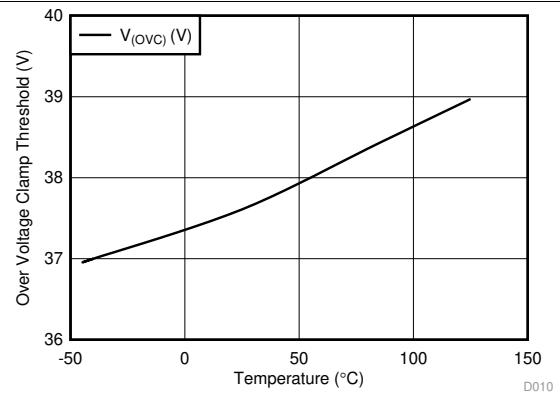


Figure 8. Overvoltage Clamp Threshold vs Temperature

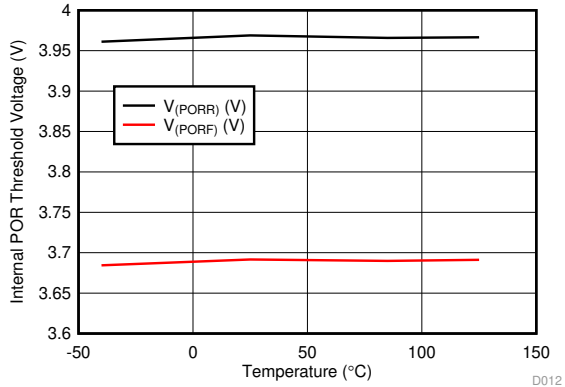


Figure 9. Internal POR Threshold Voltage vs Temperature

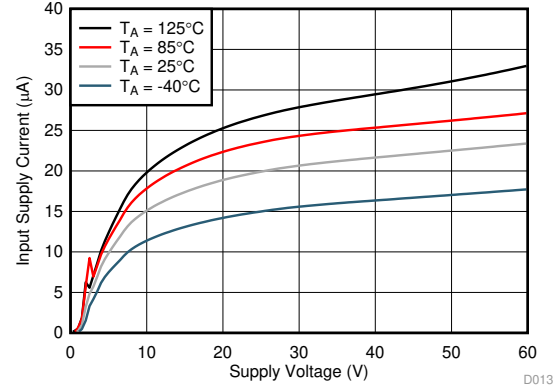


Figure 10. Input Supply Current vs Supply Voltage in Shutdown

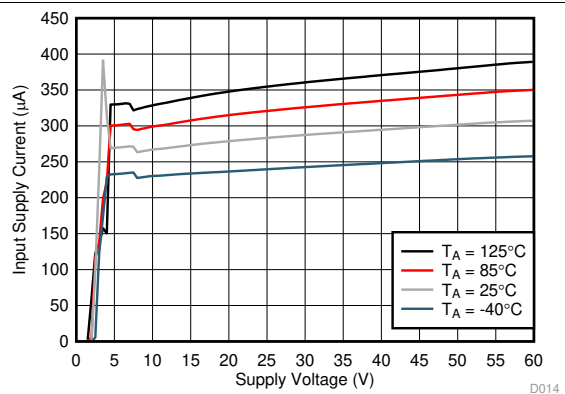


Figure 11. Input Supply Current vs Supply Voltage During Normal Operation

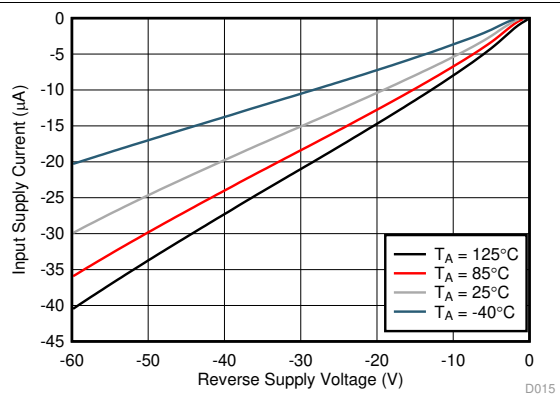


Figure 12. Input Supply Current vs Reverse Supply Voltage,  $-V_{(IN)}$

$V_{(OUT)} = 0\text{ V}$

Typical Characteristics (continued)

$-40^{\circ}\text{C} \leq T_A = T_J \leq +125^{\circ}\text{C}$ ,  $V_{(IN)} = 24\text{ V}$ ,  $V_{(SHDN)} = 2\text{ V}$ ,  $R_{(ILIM)} = 120\text{ k}\Omega$ ,  $\text{IMON} = \overline{\text{FLT}} = \text{OPEN}$ ,  $C_{(OUT)} = 1\text{ }\mu\text{F}$ ,  $C_{(dVdT)} = \text{OPEN}$ .  
(Unless stated otherwise)

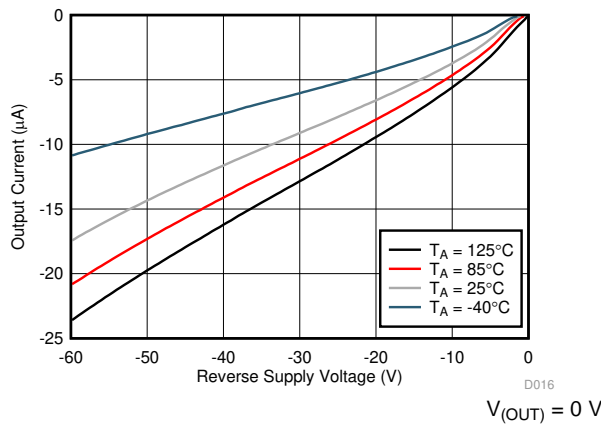


Figure 13. Output Current vs Reverse Supply Voltage,  $-V_{(IN)}$

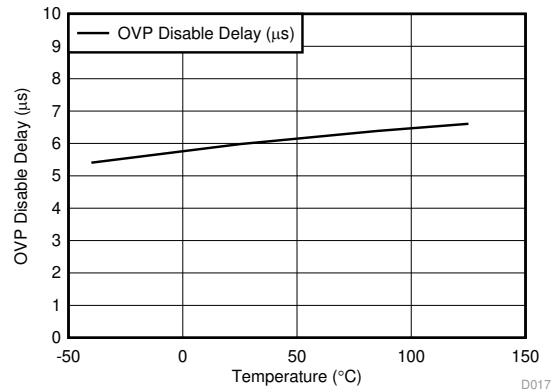


Figure 14. OVP Disable Delay vs Temperature

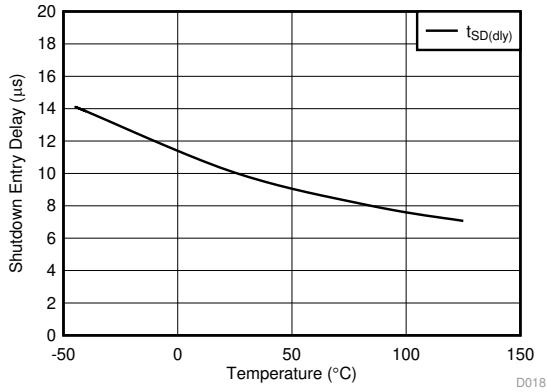


Figure 15. Shutdown Entry Delay vs Temperature

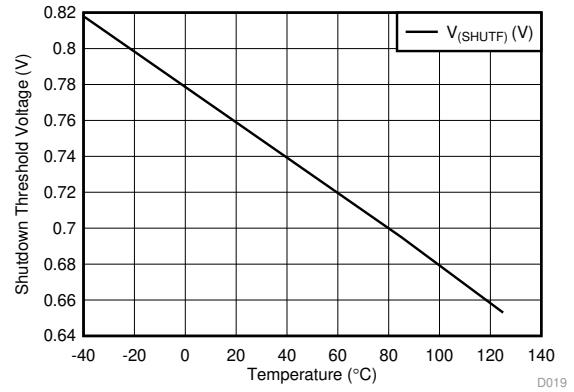


Figure 16. Shutdown Threshold Voltage Shutdown vs Temperature

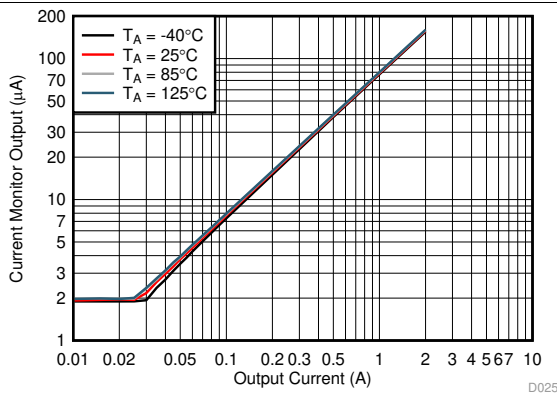


Figure 17. Current Monitor Output vs Output Current

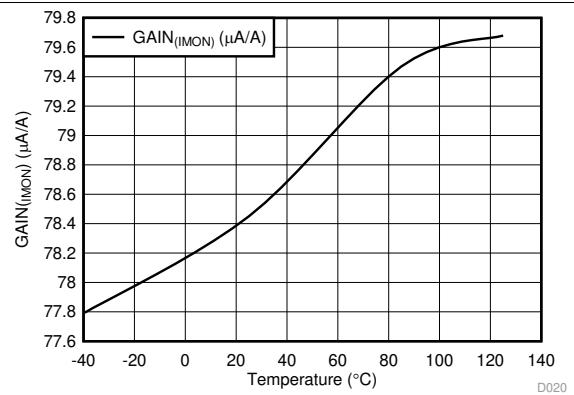


Figure 18.  $\text{GAIN}_{(\text{IMON})}$  vs Temperature

Typical Characteristics (continued)

$-40^{\circ}\text{C} \leq T_A = T_J \leq +125^{\circ}\text{C}$ ,  $V_{(IN)} = 24\text{ V}$ ,  $V_{(SHDN)} = 2\text{ V}$ ,  $R_{(ILIM)} = 120\text{ k}\Omega$ ,  $\text{IMON} = \overline{\text{FLT}} = \text{OPEN}$ ,  $C_{(OUT)} = 1\text{ }\mu\text{F}$ ,  $C_{(dVdT)} = \text{OPEN}$ .  
(Unless stated otherwise)

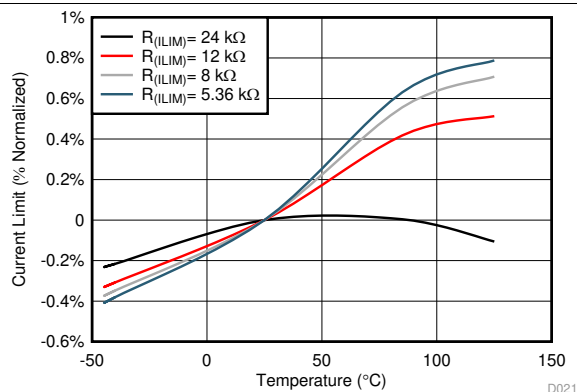


Figure 19. Current Limit (% Normalized) vs Temperature

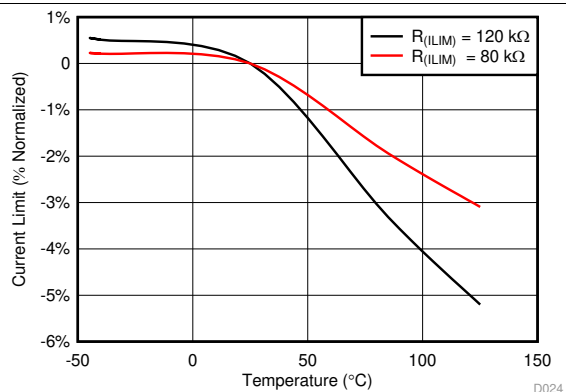


Figure 20. Current Limit (% Normalized) vs Temperature

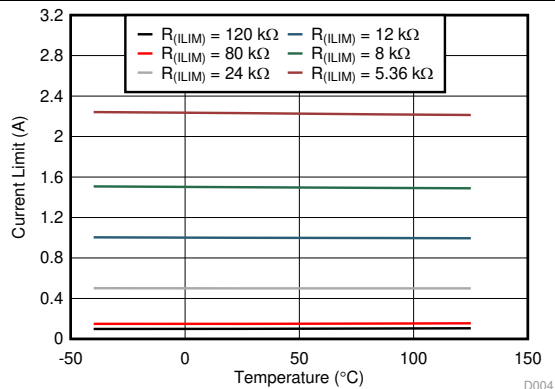


Figure 21. Over Load Current Limit vs Temperature

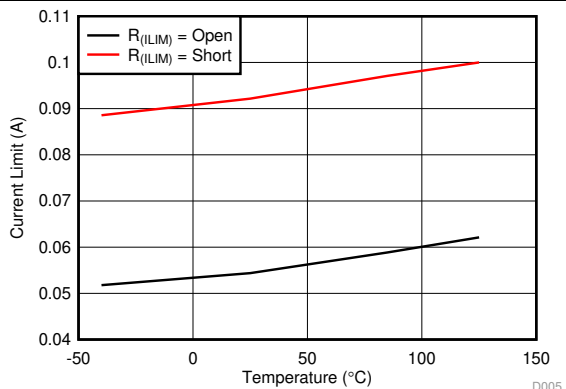


Figure 22. Current Limit for  $R_{(ILIM)} = \text{Open}$  and Short vs Temperature

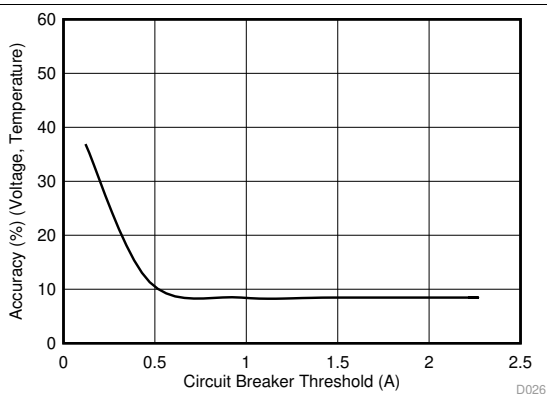


Figure 23. Circuit Breaker Threshold Accuracy vs Circuit Breaker Threshold  $I_{(CB)}$

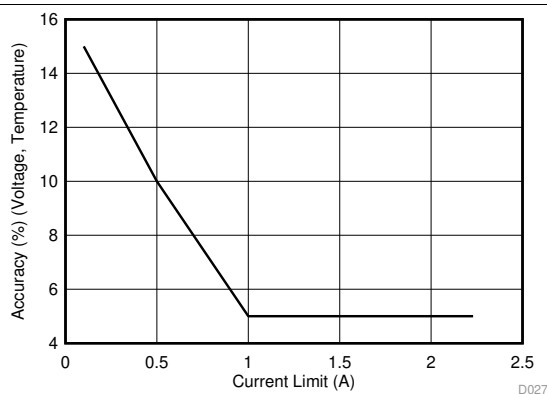


Figure 24. Current Limit Accuracy vs Current Limit,  $I_{(OL)}$

Typical Characteristics (continued)

$-40^{\circ}\text{C} \leq T_A = T_J \leq +125^{\circ}\text{C}$ ,  $V_{(IN)} = 24\text{ V}$ ,  $V_{(SHDN)} = 2\text{ V}$ ,  $R_{(ILIM)} = 120\text{ k}\Omega$ ,  $IMON = \overline{FLT} = \text{OPEN}$ ,  $C_{(OUT)} = 1\text{ }\mu\text{F}$ ,  $C_{(dVdT)} = \text{OPEN}$ .  
(Unless stated otherwise)

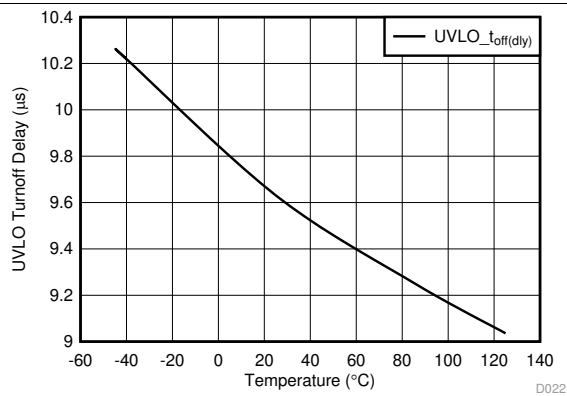
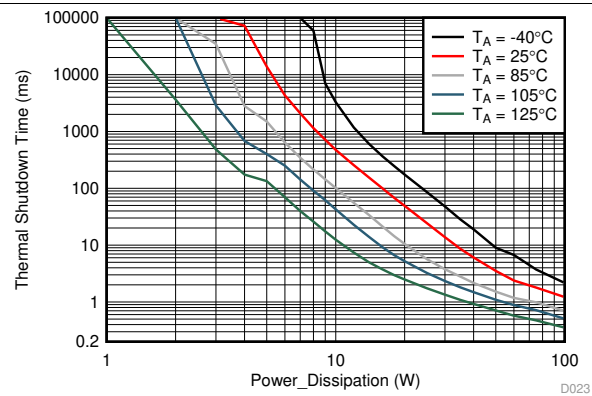
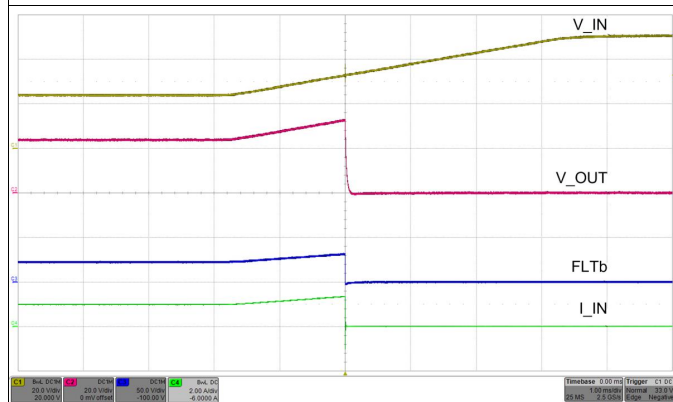


Figure 25. UVLO Turnoff Delay vs Temperature



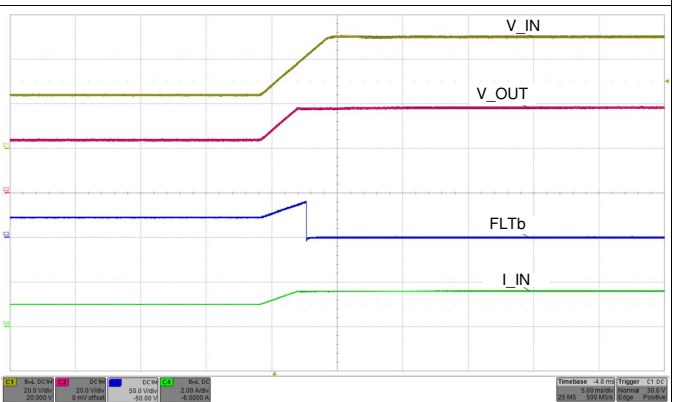
Taken on 2-Layer board, 2 oz.(0.08-mm thick) with HTSSOP device with RTN plane area: 1 cm<sup>2</sup> (Top) and 4.6 cm<sup>2</sup> (Bottom)

Figure 26. Thermal Shutdown Time vs Power Dissipation



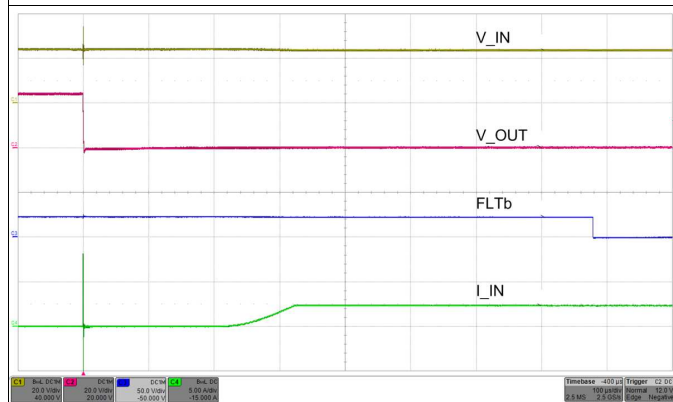
$R_{ILIM} = 5.36\text{ k}\Omega$       OVP Connected to RTN       $R_{FLTb} = 100\text{ k}\Omega$        $R_{LOAD} = 24\text{ }\Omega$

Figure 27. OVP Overvoltage Cut-Off Response



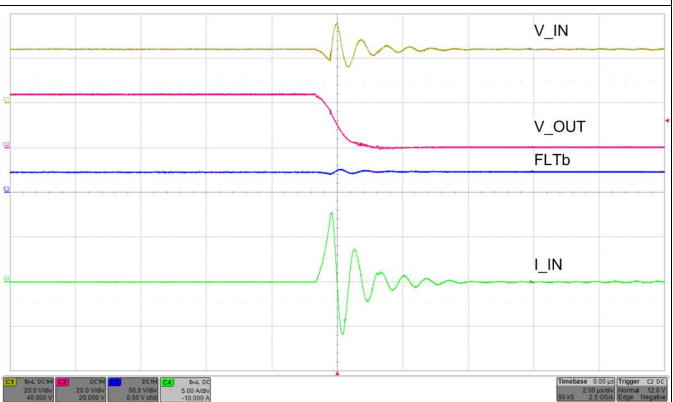
$R_{ILIM} = 5.36\text{ k}\Omega$        $R_{FLTb} = 100\text{ k}\Omega$        $R_{LOAD} = 24\text{ }\Omega$

Figure 28. OV Clamp Response (TPS26602 Only)



$R_{ILIM} = 5.36\text{ k}\Omega$        $R_{FLTb} = 100\text{ k}\Omega$

Figure 29. Hot-Short: Fast Trip Response and Current Regulation

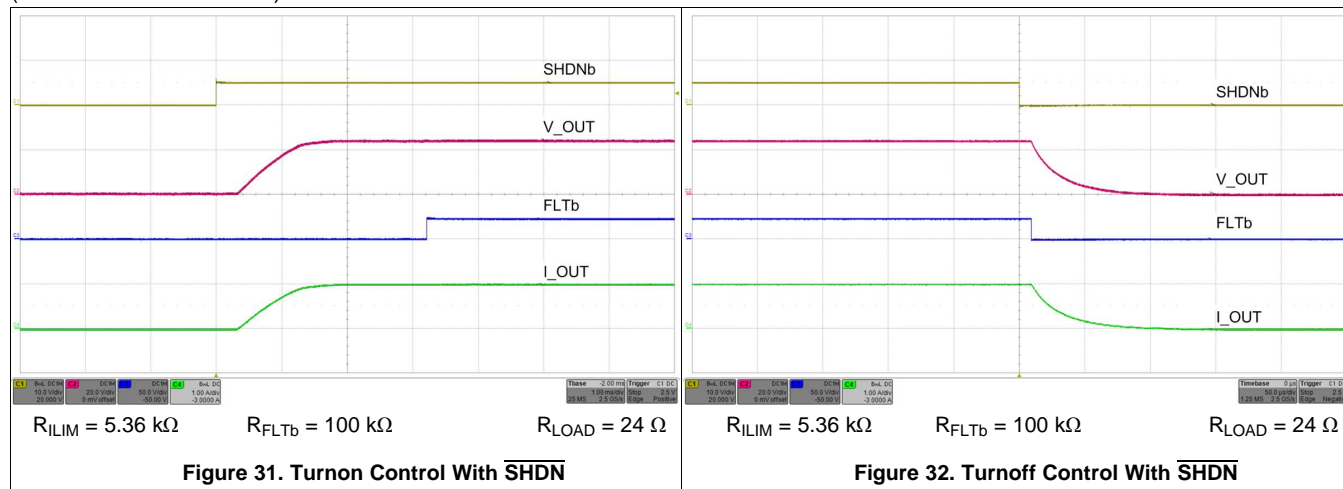


$R_{ILIM} = 5.36\text{ k}\Omega$

Figure 30. Hot-Short: Fast Trip Response (Zoomed)

### Typical Characteristics (continued)

$-40^{\circ}\text{C} \leq T_A = T_J \leq +125^{\circ}\text{C}$ ,  $V_{(IN)} = 24\text{ V}$ ,  $V_{(\overline{\text{SHDN}})} = 2\text{ V}$ ,  $R_{(ILIM)} = 120\text{ k}\Omega$ ,  $\overline{\text{IMON}} = \overline{\text{FLT}} = \text{OPEN}$ ,  $C_{(OUT)} = 1\text{ }\mu\text{F}$ ,  $C_{(dVdT)} = \text{OPEN}$ .  
(Unless stated otherwise)



## 8 Parameter Measurement Information

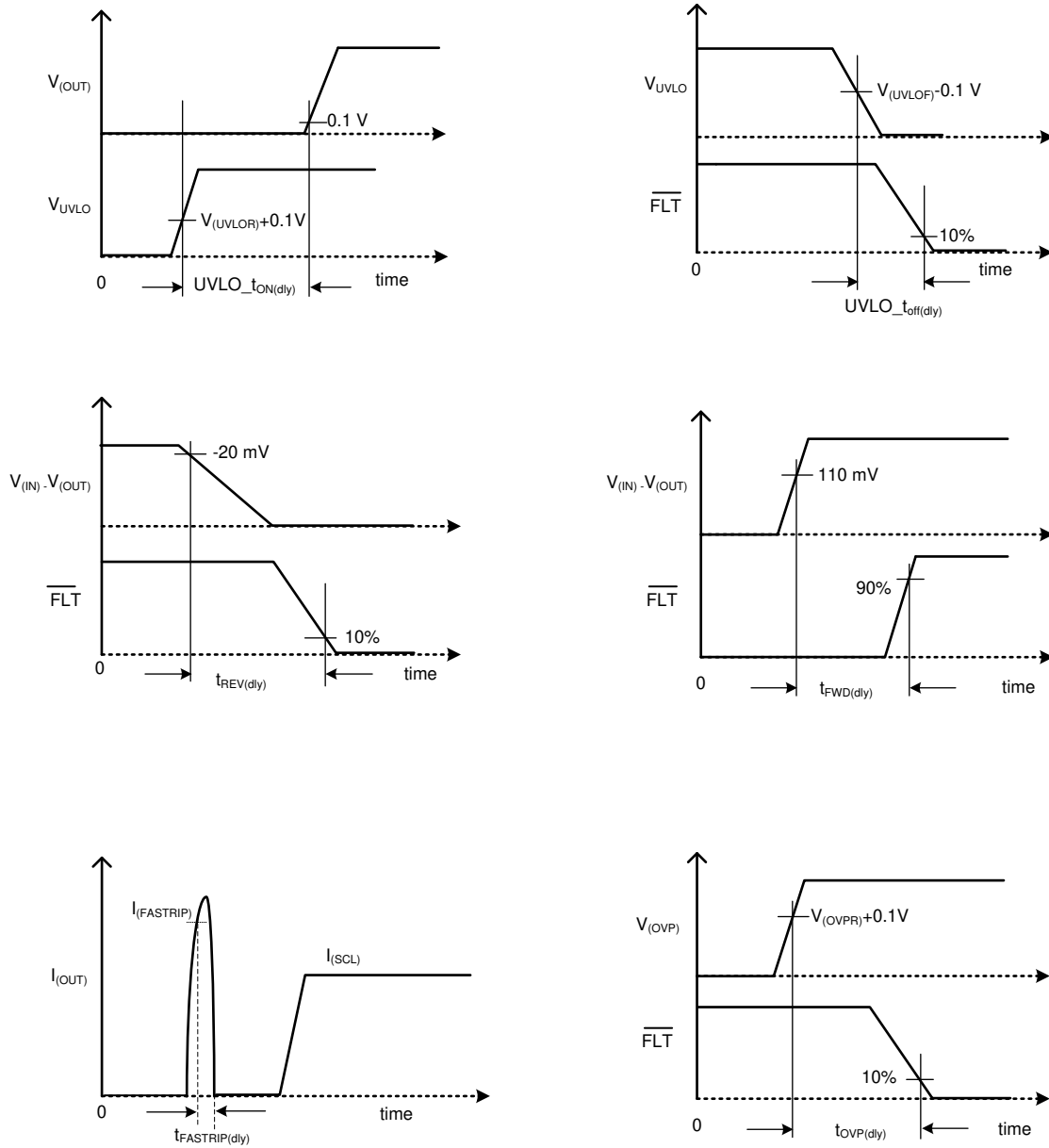


Figure 33. Timing Waveforms

## 9 Detailed Description

### 9.1 Overview

The TPS2660x is a family of high voltage industrial eFuses with integrated back-to-back MOSFETs and enhanced built-in protection circuitry. It provides robust protection for all systems and applications powered from 4.2 V to 60 V. The device can withstand  $\pm 60$  V positive and negative supply voltages without damage. For hot-pluggable boards, the device provides hot-swap power management with in-rush current control and programmable output voltage slew rate features. Load, source and device protections are provided with many programmable features including overcurrent, overvoltage, undervoltage. The precision overcurrent limit ( $\pm 5\%$  at 1 A) helps to minimize over design of the input power supply, while the fast response short circuit protection 250 ns (typical) immediately isolates the faulty load from the input supply when a short circuit is detected.

The internal robust protection control blocks of the TPS2660x along with its  $\pm 60$  V rating helps to simplify the system designs for the surge compliance ensuring complete protection of the load and the device.

The device provides precise monitoring of voltage bus for brown-out and overvoltage conditions and asserts fault signal for the downstream system. The TPS2660x monitor functions threshold accuracy of  $\pm 3\%$  ensures tight supervision of the supply bus, eliminating the need for a separate supply voltage supervisor chip.

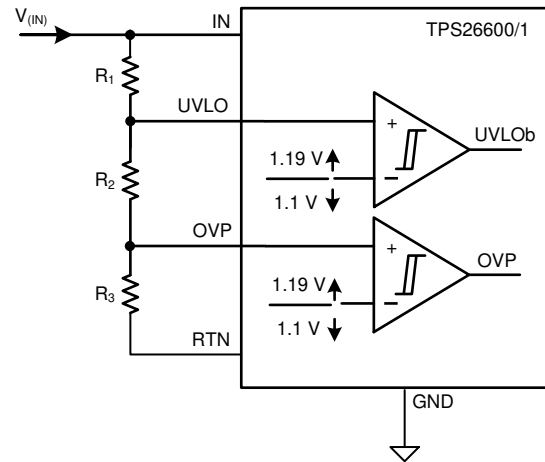
The device monitors  $V_{(IN)}$  and  $V_{(OUT)}$  to provide true reverse current blocking when a reverse condition or input power failure condition is detected. The TPS2660x is also designed to control redundant power supply systems. A pair of TPS2660x devices can be configured for Active ORing between the main power supply and the auxiliary power supply, (see the [System Examples](#) section).

Additional features of the TPS2660x include:

- Current monitor output for health monitoring of the system
- Electronic circuit breaker operation with overload timeout using MODE pin
- A choice of latch off or automatic restart mode response during current limit fault using MODE pin
- Over temperature protection to safely shutdown in the event of an overcurrent event
- De-glitched fault reporting for brown-out and overvoltage faults
- Look ahead overload current fault indication (see the [Look Ahead Overload Current Fault Indicator](#) section)



## Feature Description (continued)



**Figure 34. UVLO and OVP Thresholds Set by  $R_1$ ,  $R_2$  and  $R_3$**

The TPS2660x also features a factory set 15-V input supply undervoltage lockout  $V_{(IN\_UVLO)}$  threshold with 1 V hysteresis. This feature can be enabled by connecting the UVLO terminal directly to the RTN terminal. If the Under-Voltage Lock-Out function is not needed, the UVLO terminal must be connected to the IN terminal. UVLO terminal must not be left floating.

The device also implements an internal power ON reset (POR) function on the IN terminal. The device disables the internal circuitry when the IN terminal voltage falls below internal POR threshold  $V_{(PORF)}$ . The internal POR threshold has a hysteresis of 275 mV.

### 9.3.2 Overvoltage Protection (OVP)

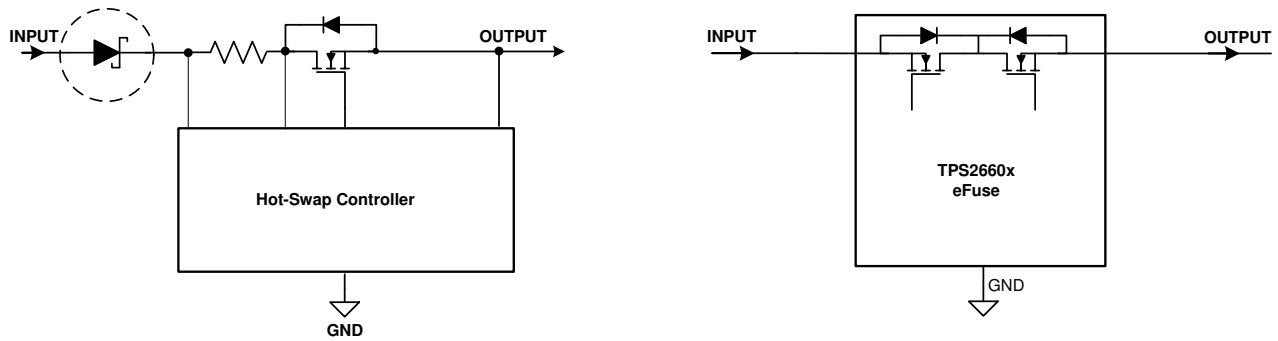
The TPS2660x incorporate circuitry to protect the system during overvoltage conditions. The TPS26600 and TPS26601 feature overvoltage cut off functionality. A voltage more than  $V_{(OVPR)}$  on OVP pin turns off the internal FET and protects the downstream load. To program the OVP threshold externally, connect a resistor divider from IN supply to OVP terminal to RTN as shown in [Figure 34](#). The TPS26600 and TPS26601 also feature a factory set 33-V Input overvoltage cut off  $V_{(IN\_OVP)}$  threshold with a 2-V hysteresis. This feature can be enabled by connecting the OVP terminal directly to the RTN terminal. [Figure 27](#) illustrates the overvoltage cut-off functionality.

The TPS26602 features an internally fixed 38 V overvoltage clamp ( $V_{(OVC)}$ ) functionality. The OVP terminal of the TPS26602 must be connected to the RTN terminal directly. The TPS26602 clamps the output voltage to  $V_{(OVC)}$ , when the input voltage exceeds 38 V. During the output voltage clamp operation, the power dissipation in the internal MOSFET is  $P_D = (V_{IN} - V_{(OVC)}) \times I_{OUT}$ . Excess power dissipation for prolonged period can make the device to enter into thermal shutdown. [Figure 28](#) illustrates the overvoltage clamp functionality.

### 9.3.3 Reverse Input Supply Protection

To protect the electronic systems from reverse input supply due to miswiring, often a power component like a schottky diode is added in series with the supply line as shown in [Figure 35](#). These additional discretes result in a lossy and bulky protection solution. The TPS2660x devices feature fully integrated reverse input supply protection and does not need an additional diode. These devices can withstand  $-60$  V reverse voltage without damage. [Figure 36](#) illustrates the reverse input polarity protection functionality.

Feature Description (continued)



Copyright © 2016, Texas Instruments Incorporated

Figure 35. Reverse Input Supply Protection Circuits - Discrete vs TPS2660x

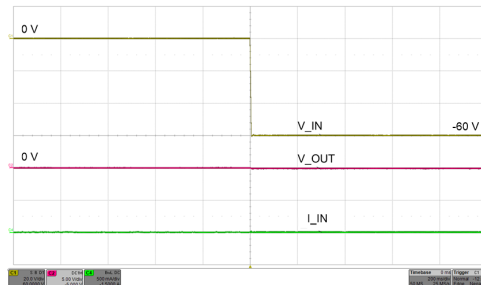


Figure 36. Reverse Input Supply Protection at -60 V

9.3.4 Hot Plug-In and In-Rush Current Control

The devices are designed to control the in-rush current upon insertion of a card into a live backplane or other "hot" power source. This limits the voltage sag on the backplane's supply voltage and prevents unintended resets of the system power. The controlled start-up also helps to eliminate conductive and radiative interferences. An external capacitor connected from the dVdT pin to RTN defines the slew rate of the output voltage at power-on as shown in [Figure 37](#) and [Figure 38](#).

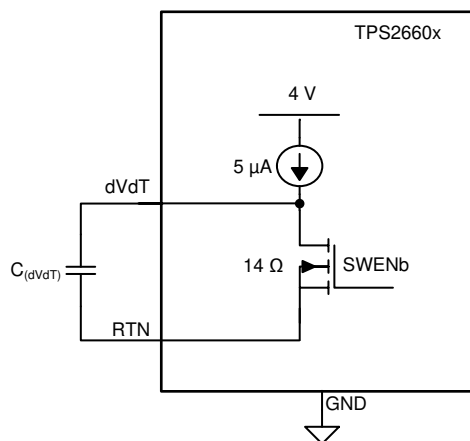


Figure 37. Output Ramp Up Time  $t_{dVdT}$  is Set by  $C_{dVdT}$

## Feature Description (continued)

The dVdT pin can be left floating to obtain a predetermined slew rate ( $t_{dVdT}$ ) on the output. When the terminal is left floating, the devices set an internal output voltage ramp rate of 23.9 V/1.6 ms. A capacitor can be connected from dVdT pin to RTN to program the output voltage slew rate slower than 23.9 V/1.6 ms. Use Equation 1 and Equation 2 to calculate the external  $C_{(dVdT)}$  capacitance.

Equation 1 governs slew rate at start-up.

$$I_{(dVdT)} = \left( \frac{C_{(dVdT)}}{\text{Gain}_{(dVdT)}} \right) \times \left( \frac{dV_{(OUT)}}{dt} \right)$$

where

- $I_{(dVdT)} = 4.7 \mu\text{A}$  (typical)

$$\frac{dV_{(OUT)}}{dt}$$

- $\frac{dV_{(OUT)}}{dt}$

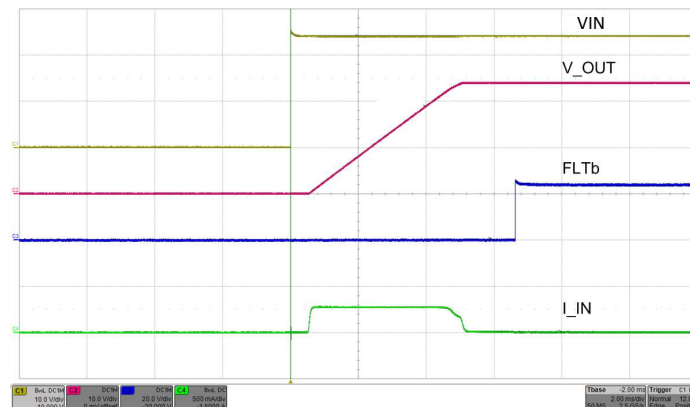
- $\text{Gain}_{(dVdT)} = \text{dVdT to } V_{OUT} \text{ gain} = 24.6$

(1)

The total ramp time ( $t_{dVdT}$ ) of  $V_{(OUT)}$  for 0 to  $V_{(IN)}$  can be calculated using Equation 2.

$$t_{dVdT} = 8 \times 10^3 \times V_{(IN)} \times C_{(dVdT)}$$

(2)



$$C_{dVdT} = 22 \text{ nF} \quad C_{OUT} = 47 \mu\text{F} \quad R_{LIM} = 5.36 \text{ k}\Omega$$

Figure 38. Hot Plug-In and In-Rush Current Control at 24-V Input

### 9.3.5 Overload and Short Circuit Protection

The device monitors the load current by sensing the voltage across the internal sense resistor. The FET current is monitored during start-up and normal operation.

#### 9.3.5.1 Overload Protection

The device offers following choices for the overload protection fault response:

- Active current limiting (Auto-retry/Latch-off modes)
- Electronic Circuit Breaker with overload timeout (Auto-retry/Latch-off modes)

See the configurations in Table 1 to select a specific overload fault response.

Table 1. Overload Fault Response Configuration Table

| MODE Pin Configuration | Overload Protection Type                   | Device             |
|------------------------|--|--------------------|
| Open                   | Electronic circuit breaker with auto-retry | TPS26600, TPS26602 |
|                        | Electronic circuit breaker with latch-off  | TPS26601           |

Feature Description (continued)

Table 1. Overload Fault Response Configuration Table (continued)

| MODE Pin Configuration                       | Overload Protection Type                | Device                       |
|--|---|------------------------------|
| Shorted to RTN                               | Active current limiting with auto-retry | TPS26600, TPS26601, TPS26602 |
| A 402-kΩ resistor across MODE pin to RTN pin | Active current limiting with latch-off  | TPS26600, TPS26601, TPS26602 |

9.3.5.1.1 Active Current Limiting

When the active current limiting mode is selected, during overload events, the device continuously regulates the load current to the overcurrent limit  $I_{OL}$  programmed by the  $R_{(ILIM)}$  resistor as shown in Equation 3.

$$I_{OL} = \frac{12}{R_{(ILIM)}}$$

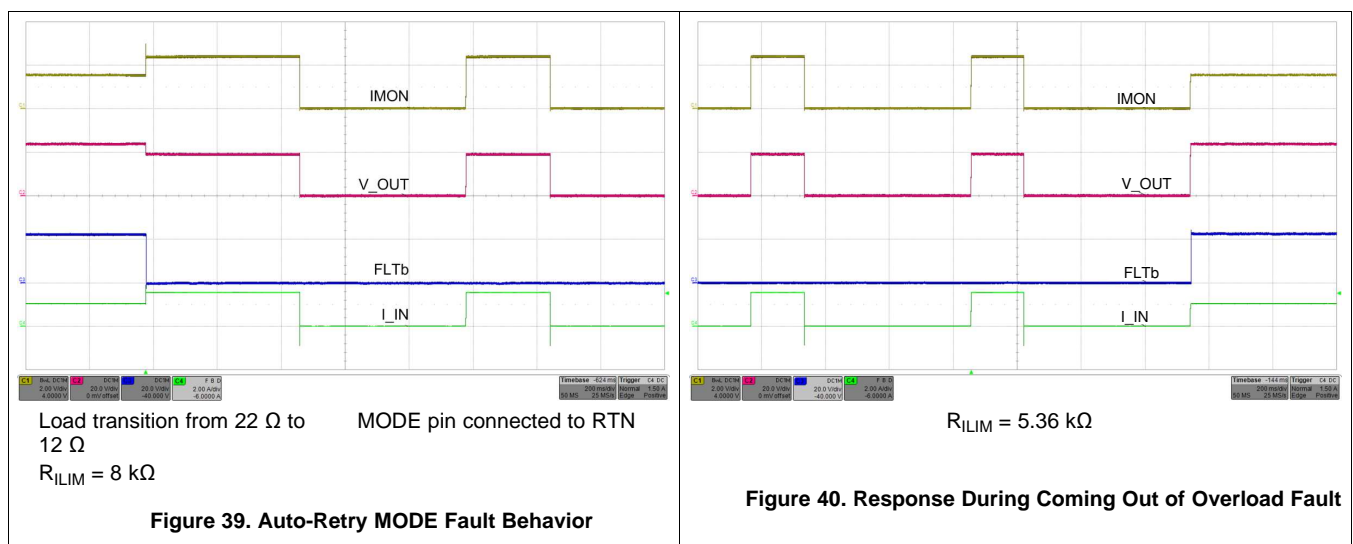
where

- $I_{OL}$  is the overload current limit in Ampere
  - $R_{(ILIM)}$  is the current limit resistor in kΩ
- (3)

During an overload condition, the internal current-limit amplifier regulates the output current to  $I_{(LIM)}$ . The  $\overline{FLT}$  signal asserts after a delay of 875 μs. The output voltage droops during the current regulation, resulting in increased power dissipation in the device. If the device junction temperature reaches the thermal shutdown threshold ( $T_{(TSD)}$ ), the internal FET is turn off. The device configured in latch-off mode stays latched off until it is reset by either of the following conditions:

- Cycling  $V_{(IN)}$  below  $V_{(PORF)}$
- Toggling  $\overline{SHDN}$

Whereas the device configured in auto-retry mode, commences an auto-retry cycle 512 ms after  $T_J < [T_{(TSD)} - 10^\circ\text{C}]$ . The  $\overline{FLT}$  signal remains asserted until the fault condition is removed and the device resumes normal operation. Figure 39 and Figure 40 illustrates behavior of the system during current limiting with auto-retry functionality.



9.3.5.1.2 Electronic Circuit Breaker with Overload Timeout, MODE = OPEN

In this mode, during overload events, the device allows the overload current to flow through the device until  $I_{(LOAD)} < I_{(FASTRIP)}$ . The circuit breaker threshold  $I_{(CB)}$  can be programmed using the  $R_{(ILIM)}$  resistor as shown in Equation 4.

$$I_{(CB)} = \frac{12}{R_{(ILIM)}} + 0.03A$$

where

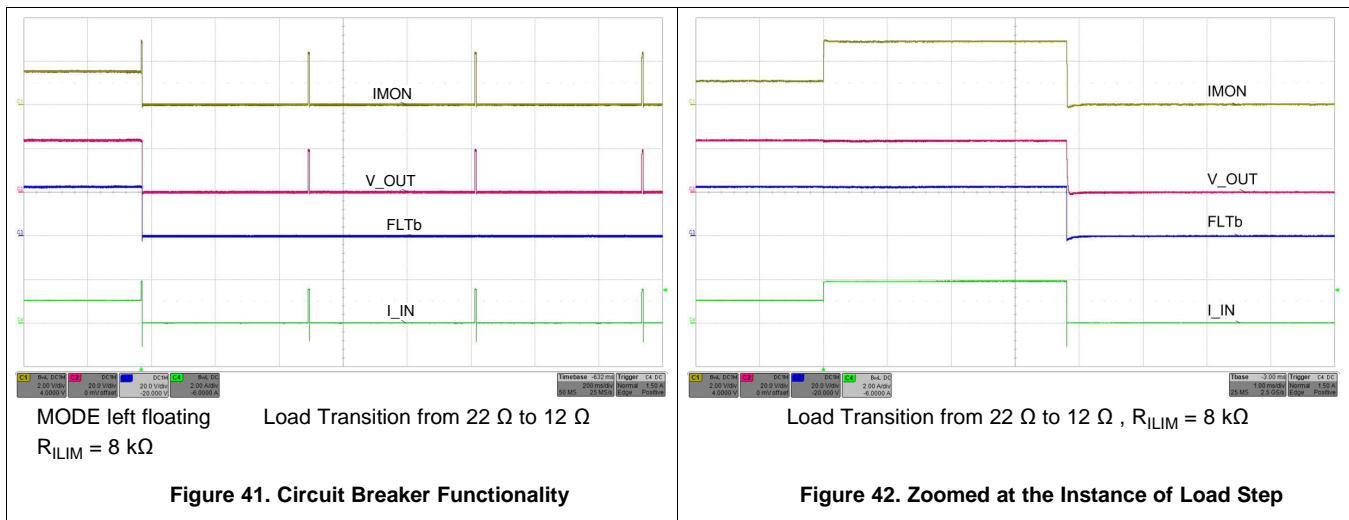
- $I_{(CB)}$  is circuit breaker current threshold in Ampere
- $R_{(ILIM)}$  is the current limit resistor in k $\Omega$

(4)

An internal timer starts when  $I_{(CB)} < I_{LOAD} < I_{FASTRIP}$ , and when the timer exceeds  $t_{CB(dly)}$ , the device turns OFF the internal FET and  $\overline{FLT}$  is asserted. Once the internal FET is turned off, the device configured in latch-off mode stays latched off, until it is reset by either of the following conditions:

- Cycling  $V_{(IN)}$  falling below  $V_{(PORF)}$
- Toggling  $\overline{SHDN}$

whereas the device configured in auto-retry mode, commences an auto-retry cycle after 540 ms. The  $\overline{FLT}$  signal remains asserted until the fault condition is removed and the device resumes normal operation. Figure 41 and Figure 42 illustrate behavior of the system during electronic circuit breaker with auto-retry functionality.



### 9.3.5.2 Short Circuit Protection

During a transient output short circuit event, the current through the device increases very rapidly. As the current-limit amplifier cannot respond quickly to this event due to its limited bandwidth, the device incorporates a fast-trip comparator, with a threshold  $I_{(FASTRIP)}$ . The fast-trip comparator turns off the internal FET within 250 ns (typical), when the current through the FET exceeds  $I_{(FASTRIP)}$  ( $I_{(OUT)} > I_{(FASTRIP)}$ ), and terminates the rapid short-circuit peak current. The fast-trip threshold is internally set to 87% higher than the programmed overload current limit ( $I_{(FASTRIP)} = 1.87 \times I_{(OL)} + 0.015$ ). The fast-trip circuit holds the internal FET off for only a few microseconds, after which the device turns back on slowly, allowing the current-limit loop to regulate the output current to  $I_{(OL)}$ . Then, device behaves similar to overload condition. Figure 43 and Figure 44 illustrate the behavior of the system when the current exceeds the fast-trip threshold.

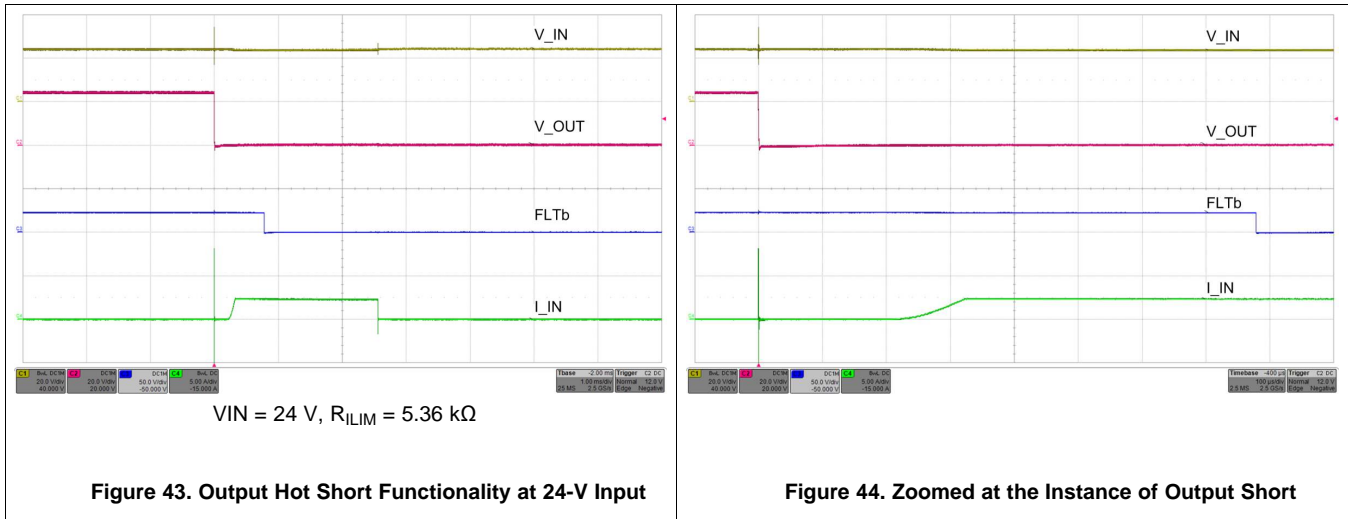
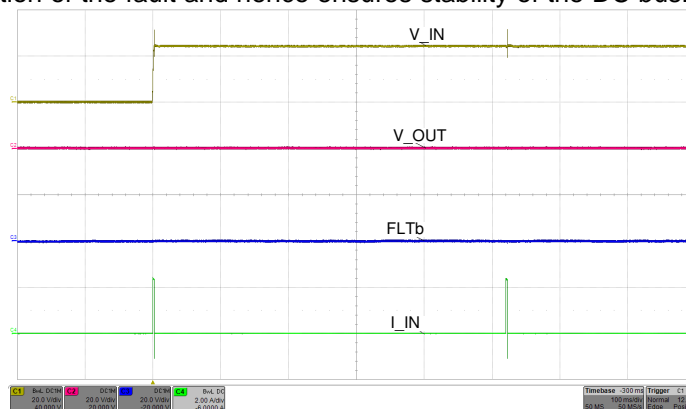


Figure 43. Output Hot Short Functionality at 24-V Input

Figure 44. Zoomed at the Instance of Output Short

### 9.3.5.2.1 Start-Up With Short-Circuit On Output

When the device is started with short-circuit on the output, it limits the load current to the current limit  $I_{(OL)}$  and behaves similar to the overload condition. Figure 45 illustrates the behavior of the device in this condition. This feature helps in quick isolation of the fault and hence ensures stability of the DC bus.



MODE pin connected to RTN  
 $V_{IN} = 24\text{ V}$   $R_{ILIM} = 5.36\text{ k}\Omega$   
**Figure 45. Start-Up With Short on Output**

### 9.3.5.3 FAULT Response

The  $\overline{FLT}$  open-drain output asserts (active low) under following conditions:

- Fault events such as undervoltage, overvoltage, over load, reverse current and thermal shutdown conditions
- When the device enters low current shutdown mode when  $\overline{SHDN}$  is pulled low
- During start-up when the internal FET GATE is not fully enhanced

The device is designed to eliminate false reporting by using an internal "de-glitch" circuit for fault conditions without the need for an external circuitry.

The  $\overline{FLT}$  signal can also be used as Power Good indicator to the downstream loads like DC-DC converters. An internal Power Good (PGOOD) signal is OR'd with the fault logic. During start-up, when the device is operating in dVdT mode, PGOOD and FLT remains low and is de-asserted after the dVdT mode is completed and the internal FET is fully enhanced. The PGOOD signal has deglitch time incorporated to ensure that internal FET is fully enhanced before heavy load is applied by the downstream converters. Rising deglitch delay is determined by  $t_{PGOOD(deg)} = \text{Maximum} \{ (875 + 20 \times C_{(dVdT)}), t_{PGOODR} \}$ , where  $C_{(dVdT)}$  is in nF and  $t_{PGOOD(deg)}$  is in  $\mu\text{s}$ .  $\overline{FLT}$  can be left open or connected to RTN when not used.  $V_{(IN)}$  falling below  $V_{(PORF)} = 3.72\text{ V}$  resets  $\overline{FLT}$ .



In case of reverse input polarity fault, an external 100-kΩ resistor is recommended between IMON pin and ADC input to limit the current through the ESD protection structures of the ADC.

### 9.3.5.5 IN, OUT, RTN, and GND Pins

The device has two pins for input (IN) and output (OUT). All IN pins must be connected together and to the power source. A ceramic bypass capacitor close to the device from IN to GND is recommended to alleviate bus transients. The recommended input operating voltage range is 4.2 to 60 V. Similarly all OUT pins must be connected together and to the load.  $V_{(OUT)}$ , in the ON condition, is calculated using Equation 8.

$$V_{(OUT)} = V_{(IN)} - (RON \times I_{(OUT)})$$

Where,

- RON is the total ON resistance of the internal FETs. (8)

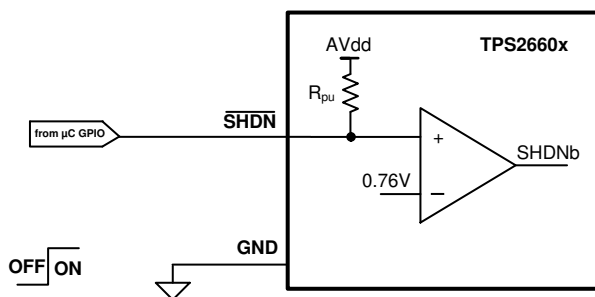
GND pin must be connected to the system ground. RTN is the device ground reference for all the internal control blocks. Connect the TPS2660x support components:  $R_{(ILIM)}$ ,  $C_{(dVdT)}$ ,  $R_{(IMON)}$ ,  $R_{(MODE)}$  and resistors for UVLO and OVP with respect to the RTN pin. Internally, the device has reverse input polarity protection block between RTN and the GND terminal. Connecting RTN pin to GND pin disables the reverse input polarity protection feature and the TPS2660x gets permanently damaged when operated under this fault event.

### 9.3.5.6 Thermal Shutdown

The device has a built-in overtemperature shutdown circuitry designed to protect the internal FETs, if the junction temperature exceeds  $T_{(TSD)}$ . After the thermal shutdown event, depending upon the mode of fault response, the device either latches off or commences an auto-retry cycle 512 ms after  $T_J < [T_{(TSD)} - 10^\circ\text{C}]$ . During the thermal shutdown, the fault pin  $\overline{FLT}$  pulls low to indicate a fault condition.

### 9.3.5.7 Low Current Shutdown Control ( $\overline{SHDN}$ )

The internal FETs and hence the load current can be switched off by pulling the  $\overline{SHDN}$  pin below 0.76 V threshold with a micro-controller GPIO pin or can be controlled remotely with an opto-isolator device as shown in Figure 48 and Figure 49. The device quiescent current reduces to 20 μA (typical) in shutdown state. To assert  $\overline{SHDN}$  low, the pull down must sink at least 10 μA at 400 mV. To enable the device,  $\overline{SHDN}$  must be pulled up to atleast 1 V. Once the device is enabled, the internal FETs turn on with dVdT mode.



**Figure 48. Shutdown Control**

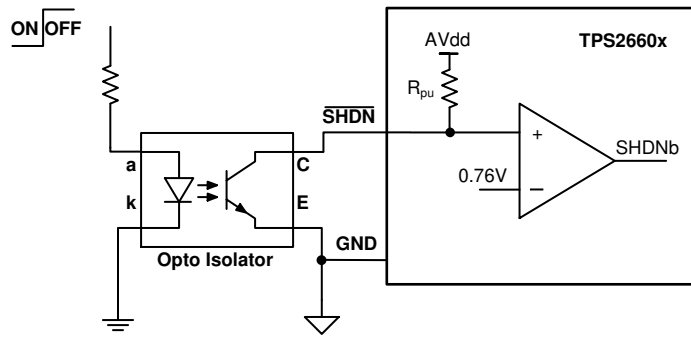


Figure 49. Opto-Isolator Shutdown Control

### 9.4 Device Functional Modes

The TPS26600, TPS26601 and TPS26602 respond differently to overload and short circuit conditions. The operational differences are explained in Table 2.

Table 2. Device Operational Differences Under Different MODE Configurations

| MODE Pin Configuration | MODE Connected to RTN (Current Limit With Auto-Retry)                       | A 402-kΩ Resistor Connected between MODE and RTN Pins (Current Limit With Latchoff) | MODE Pin = Open (Circuit Breaker with Auto-Retry - TPS26600 and TPS26602), (Circuit Breaker With Latch - TPS26601 Only) |
|------------------------|---|---|---|
| Start-up               | Inrush current controlled by dVdT   |   |   |
|                        | Inrush limited to $I_{(OL)}$ level as set by $R_{(ILIM)}$                   | Inrush limited to $I_{(OL)}$ level as set by $R_{(ILIM)}$                           | Inrush limited to $I_{(OL)}$ level as set by $R_{(ILIM)}$   |
|                        |   |   | Fault timer runs when current is limited to $I_{(OL)}$  |
|                        |   |   | Fault timer expires after $t_{CB(dly)}$ causing the FETs to turnoff   |
|                        | If $T_J > T_{(TSD)}$ , device turns off                                     | If $T_J > T_{(TSD)}$ , device turns off   | Device turns off if $T_J > T_{(TSD)}$ before timer expires  |
| Overcurrent response   | Current is limited to $I_{(OL)}$ level as set by $R_{(ILIM)}$               | Current is limited to $I_{(OL)}$ level as set by $R_{(ILIM)}$                       | Current is allowed through the device if $I_{(LOAD)} < I_{(FASTTRIP)}$  |
|                        | Power dissipation increases as $V_{(IN)} - V_{(OUT)}$ increases             | Power dissipation increases as $V_{(IN)} - V_{(OUT)}$ increases                     | Fault timer runs when the current increases above $I_{(OL)}$  |
|                        |   |   | Fault timer expires after $t_{CB(dly)}$ causing the FETs to turnoff   |
|                        | Device turns off when $T_J > T_{(TSD)}$                                     | Device turns off when $T_J > T_{(TSD)}$   | Device turns off if $T_J > T_{(TSD)}$ before timer expires  |
|                        | Device attempts restart 540 ms after $T_J < [T_{(TSD)} - 10^\circ\text{C}]$ | Device remains off  | TPS26600 and TPS26602 attempt restart 540 ms after $T_J < [T_{(TSD)} - 10^\circ\text{C}]$ . TPS26601 remains off        |
| Short-circuit response | Fast turnoff when $I_{(LOAD)} > I_{(FASTTRIP)}$                             |   |   |
|                        | Quick restart and current limited to $I_{(OL)}$ , follows standard start-up |   |   |

## 10 Application and Implementation

### NOTE

Information in the following applications sections is not part of the TI component specification, and TI does not warrant its accuracy or completeness. TI's customers are responsible for determining suitability of components for their purposes. Customers should validate and test their design implementation to confirm system functionality.

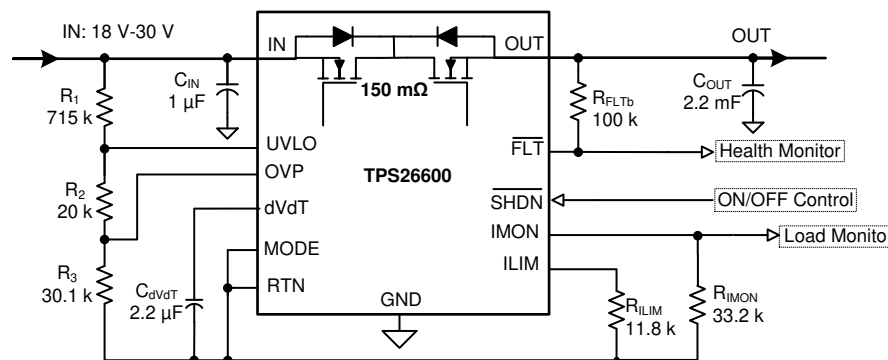
### 10.1 Application Information

The TPS2660x is an industrial eFuse, typically used for Hot-Swap and Power rail protection applications. It operates from 4.2 V to 60 V with programmable current limit, overvoltage, undervoltage and reverse polarity protections. The device aids in controlling in-rush current and provides robust protection against reverse current and filed miss-wiring conditions for systems such as PLCs, Industrial PCs, Control and Automation and Sensors. The device also provides robust protection for multiple faults on the system rail.

The [Detailed Design Procedure](#) section can be used to select component values for the device.

Alternatively, the [WEBENCH®](#) software may be used to generate a complete design. The WEBENCH® software uses an iterative design procedure and accesses a comprehensive database of components when generating a design. Additionally, a spreadsheet design tool [TPS2660x Design Calculator](#) is available in the web product folder.

### 10.2 Typical Application



**Figure 50. 24-V, 1-A eFuse Input Protection Circuit for Industrial PLC CPU**

#### 10.2.1 Design Requirements

[Table 3](#) shows the Design Requirements for TPS2660x.

**Table 3. Design Requirements**

| DESIGN PARAMETER |                                | EXAMPLE VALUE |
|------------------|--------------------------------|---------------|
| $V_{(IN)}$       | Typical input voltage          | 24 V          |
| $V_{(UV)}$       | Undervoltage lockout set point | 18 V          |
| $V_{(OV)}$       | Overvoltage cutoff set point   | 30 V          |
| $R_{L(SU)}$      | Load during start-up           | 48 $\Omega$   |
| $I_{(LIM)}$      | Current limit                  | 1 A           |
| $C_{(OUT)}$      | Load capacitance               | 2200 $\mu$ F  |
| $T_A$            | Maximum ambient temperature    | 85°C          |

## 10.2.2 Detailed Design Procedure

### 10.2.2.1 Step by Step Design Procedure

To begin the design process, the designer needs to know the following parameters:

- Input operating voltage range
- Maximum output capacitance
- Maximum current limit
- Load during start-up
- Maximum ambient temperature

This design procedure below seeks to control junction temperature of the device in both steady state and start-up conditions by proper selection of the output ramp-up time and associated support components. The designer can adjust this procedure to fit the application and design criteria.

### 10.2.2.2 Programming the Current-Limit Threshold— $R_{(ILIM)}$ Selection

The  $R_{(ILIM)}$  resistor at the ILIM pin sets the over load current limit, this can be set using [Equation 9](#).

$$R_{(ILIM)} = \frac{12}{I_{LIM}} = 12k\Omega$$

where

- $I_{LIM} = 1A$  (9)

Choose the closest standard 1% resistor value :  $R_{(ILIM)} = 11.8 k\Omega$

### 10.2.2.3 Undervoltage Lockout and Overvoltage Set Point

The undervoltage lockout (UVLO) and overvoltage trip point are adjusted using an external voltage divider network of  $R_1$ ,  $R_2$  and  $R_3$  connected between IN, UVLO, OVP and RTN pins of the device. The values required for setting the undervoltage and overvoltage are calculated by solving [Equation 10](#) and [Equation 11](#).

$$V_{(OVPR)} = \frac{R_3}{R_1 + R_2 + R_3} \times V_{(OV)} \tag{10}$$

$$V_{(UVLOR)} = \frac{R_2 + R_3}{R_1 + R_2 + R_3} \times V_{(UV)} \tag{11}$$

For minimizing the input current drawn from the power supply  $\{I_{(R123)} = V_{(IN)}/(R_1+R_2+R_3)\}$ , it is recommended to use higher value resistance for  $R_1$ ,  $R_2$  and  $R_3$ .

However, the leakage current due to external active components connected at resistor string can add error to these calculations. So, the resistor string current,  $I_{(R123)}$  must be chosen to be 20x greater than the leakage current of UVLO and OVP pins.

From the device electrical specifications,  $V_{(OVPR)} = 1.19 V$  and  $V_{(UVLOR)} = 1.19 V$ . From the design requirements,  $V_{(OV)}$  is 30 V and  $V_{(UV)}$  is 18 V. To solve the equation, first choose the value of  $R_3 = 30.1 k\Omega$  and use [Equation 10](#) to solve for  $(R_1 + R_2) = 728.7 k\Omega$ . Use [Equation 11](#) and value of  $(R_1 + R_2)$  to solve for  $R_2 = 20.05 k\Omega$  and finally  $R_1 = 708.6 k\Omega$ .

Choose the closest standard 1% resistor values:  $R_1 = 715 k\Omega$ ,  $R_2 = 20 k\Omega$ , and  $R_3 = 30.1 k\Omega$ .

The UVLO and the OVP pins can also be connected to the RTN pin to enable the internal default  $V_{(OV)} = 33 V$  and  $V_{(UV)} = 15 V$ .

The power failure is detected on falling edge of the supply. This threshold voltage is 7.5% lower than the rising threshold,  $V_{(UV)}$ . The voltage at which the device detects power fail can be calculated using [Equation 12](#).

$$V_{(PFAIL)} = 0.925 \times V_{(UV)} \tag{12}$$

### 10.2.2.4 Programming Current Monitoring Resistor— $R_{(IMON)}$

The voltage at IMON pin  $V_{(IMON)}$  represents the voltage proportional to the load current. This can be connected to an ADC of the downstream system for health monitoring of the system. The  $R_{(IMON)}$  must be configured based on the maximum input voltage range of the ADC used.  $R_{(IMON)}$  is set using Equation 13.

$$R_{(IMON)} = \frac{V_{(IMONmax)}}{I_{(LIM)} \times 75 \times 10^{-6}} \tag{13}$$

For  $I_{(LIM)} = 1 \text{ A}$ , and considering the operating voltage range of ADC from 0 V to 2.5 V,  $V_{(IMONmax)}$  is 2.5 V and  $R_{(IMON)}$  is determined by Equation 14.

$$R_{(IMON)} = \frac{2.5}{1 \times 75 \times 10^{-6}} = 33.3\text{k}\Omega \tag{14}$$

Selecting the  $R_{(IMON)}$  value less than determined ensures that ADC limits are not exceeded for maximum value of the load current. Choose the closest standard 1% resistor value :  $R_{(IMON)} = 33.2 \text{ k}\Omega$ .

If current monitoring up to  $I_{(FASTRIP)}$  is desired,  $R_{(IMON)}$  can be reduced by a factor of 1.8 as shown Equation 5.

### 10.2.2.5 Setting Output Voltage Ramp Time—( $t_{dVdT}$ )

For a successful design, the junction temperature of the device must be kept below the absolute-maximum rating during dynamic (start-up) and steady state conditions. The dynamic power dissipation is often an order magnitude greater than the steady state power dissipation. It is important to determine the right start-up time and the in-rush current limit for the system to avoid thermal shutdown during start-up with and without load.

The ramp-up capacitor  $C_{(dVdT)}$  is calculated considering the two possible cases:

#### 10.2.2.5.1 Case 1: Start-Up Without Load—Only Output Capacitance $C_{(OUT)}$ Draws Current During Start-Up

During start-up, as the output capacitor charges, the voltage difference across the internal FET decreases, and the power dissipation decreases. Typical ramp-up of the output voltage, inrush current and instantaneous power dissipated in the device during start-up are shown in Figure 51. The average power dissipated in the device during start-up is equal to the area of triangular plot (red curve in Figure 52) averaged over  $t_{dVdT}$ .

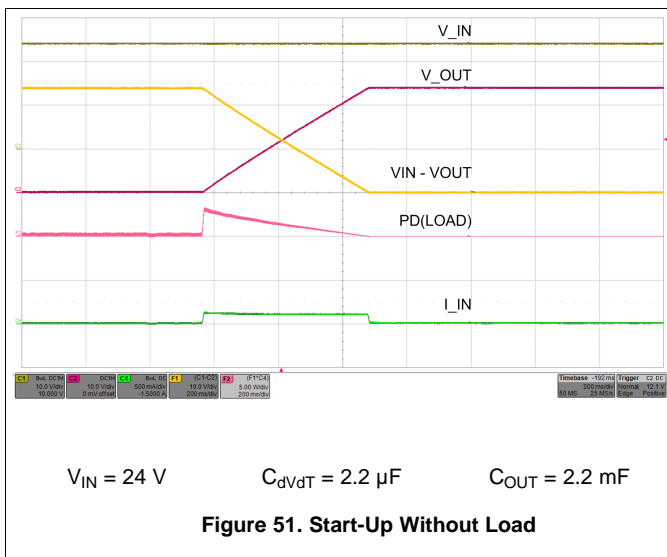


Figure 51. Start-Up Without Load

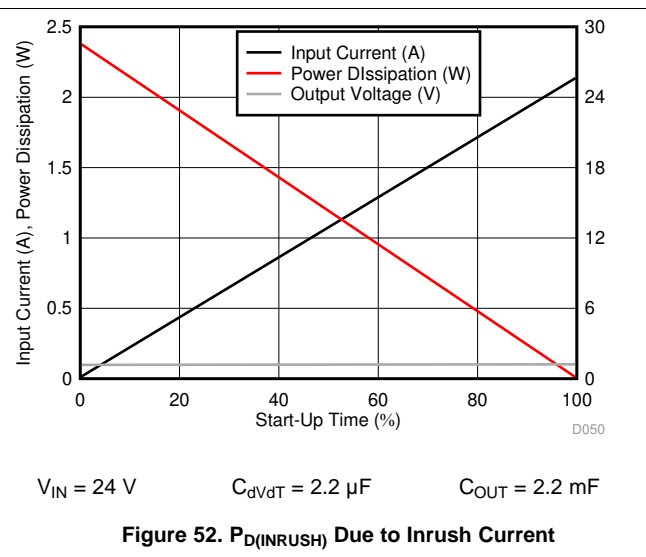


Figure 52.  $P_{D(INRUSH)}$  Due to Inrush Current

The inrush current is determined as shown in Equation 15.

$$I = C \times \frac{dV}{dT} \geq I_{(INRUSH)} = C_{(OUT)} \times \frac{V_{(IN)}}{t_{dVdT}} \tag{15}$$

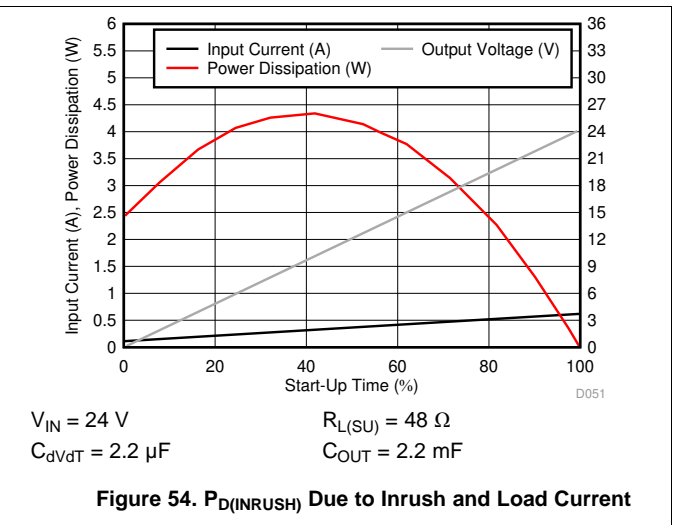
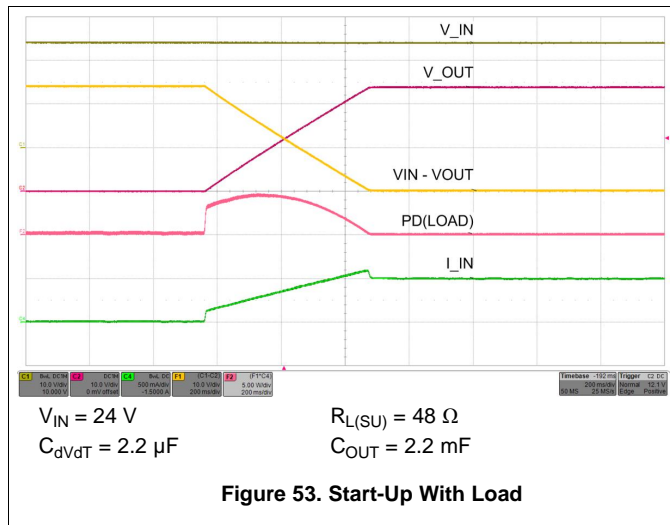
Average power dissipated during start-up is given by Equation 16.

$$P_{D(INRUSH)} = 0.5 \times V_{(IN)} \times I_{(INRUSH)} \quad (16)$$

Equation 16 assumes that the load does not draw any current until the output voltage reaches its final value.

### 10.2.2.5.2 Case 2: Start-Up With Load—Output Capacitance $C_{(OUT)}$ and Load Draws Current During Start-Up

When the load draws current during the turnon sequence, additional power is dissipated in the device. Considering a resistive load  $R_{L(SU)}$  during start-up, typical ramp-up of output voltage, load current and the instantaneous power dissipation in the device are shown in Figure 53. Instantaneous power dissipation with respect to time is plotted in Figure 54. The additional power dissipation during start-up is calculated using Equation 17.



$$P_{D(Load)} = \frac{1}{6} \times \frac{V_{(IN)}^2}{R_{L(SU)}} \quad (17)$$

Total power dissipated in the device during start-up is given by Equation 18.

$$P_{D(STARTUP)} = P_{D(INRUSH)} + P_{D(Load)} \quad (18)$$

Total current during start-up is given by Equation 19.

$$I_{(STARTUP)} = I_{(INRUSH)} + I_{L(t)} \quad (19)$$

For the design example under discussion,

Select the inrush current  $I_{(INRUSH)} = 0.1\text{ A}$  and calculate  $t_{dVdT}$  using Equation 20.

$$t_{(dVdT)} = 2.2\text{m} \times \frac{24}{0.1} = 0.528\text{s} \quad (20)$$

For a given start-up time,  $C_{dVdT}$  capacitance value is calculated using Equation 21.

$$C_{(dVdT)} = \frac{t_{(dVdT)}}{8 \times 10^3 \times V_{(IN)}} = 2.7\ \mu\text{F}$$

where

- $t_{(dVdT)} = 0.528\text{ s}$
  - $V_{(IN)} = 24\text{ V}$
- (21)

Choose the closest standard value: 2.2- $\mu\text{F}$ /16-V capacitor.

The inrush power dissipation is calculated, using Equation 22.

$$P_{D(INRUSH)} = 0.5 \times V_{(IN)} \times I_{(INRUSH)} = 1.2W$$

where

- $V_{(IN)} = 24\text{ V}$
  - $I_{(INRUSH)} = 0.1\text{ A}$
- (22)

Considering the start-up with 48-Ω load, the additional power dissipation, is calculated using Equation 23.

$$P_{D(LOAD)} = \left(\frac{1}{6}\right) \times \frac{V_{(IN)}^2}{R_{L(SU)}} = 2\text{ W}$$

where

- $V_{(IN)} = 24\text{ V}$
  - $R_{L(SU)} = 48\ \Omega$
- (23)

The total device power dissipation during start-up is given by Equation 24.

$$P_{D(STARTUP)} = P_{D(INRUSH)} + P_{D(LOAD)} = 3.2W$$

where

- $P_{D(INRUSH)} = 1.2\text{ W}$
  - $P_{D(LOAD)} = 2\text{ W}$
- (24)

The power dissipation with or without load, for a selected start-up time must not exceed the thermal shutdown limits as shown in Figure 55.

From the thermal shutdown limit graph, at  $T_A = 85^\circ\text{C}$ , thermal shutdown time for 3.2 W is close to 28000 ms. It is safe to have a minimum 30% margin to allow for variation of the system parameters such as load, component tolerance, input voltage and layout. Selected 2.2-μF  $C_{dVdT}$  capacitor and 528-ms start-up time ( $t_{dVdT}$ ) are within limit for successful start-up with 48-Ω load.

Higher value  $C_{(dVdT)}$  capacitor can be selected to further reduce the power dissipation during start-up.

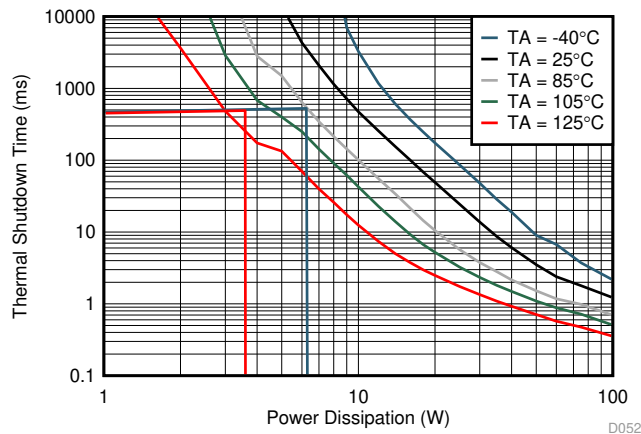


Figure 55. Thermal Shutdown Time vs Power Dissipation

### 10.2.2.5.3 Support Component Selections— $R_{FLTb}$ and $C_{(IN)}$

The  $R_{FLTb}$  serves as pull-up for the open-drain fault output. The current sink by this pin must not exceed 10 mA (see the *Absolute Maximum Ratings* table). Typical resistance value in the range of 10 kΩ to 100 kΩ is recommended for  $R_{FLTb}$ . The  $C_{IN}$  is a local bypass capacitor to suppress noise at the input. Typical capacitance value in the range of 0.1 μF to 1 μF is recommended for  $C_{(IN)}$ .

### 10.2.3 Application Curves

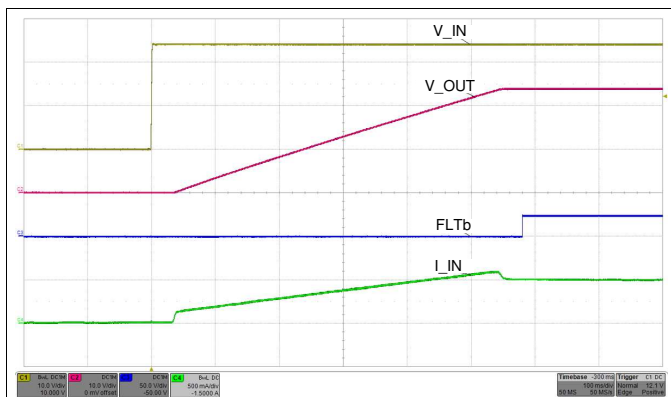


Figure 56. Start-Up With VIN—48-Ω Load

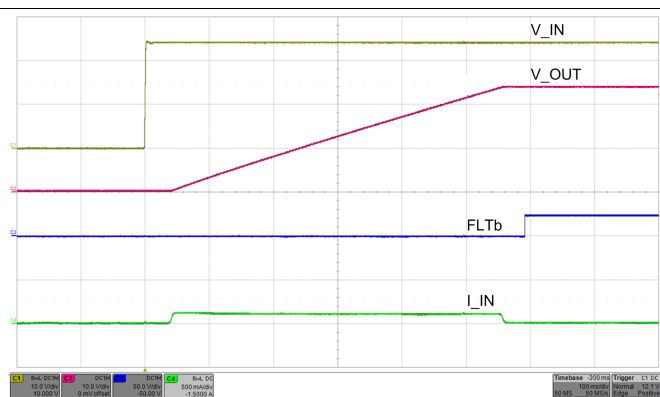


Figure 57. Start-Up With VIN—No Load



Figure 58. Power Fail With 24-Ω Load—Supports 1-A Load for 10-ms Power Fail

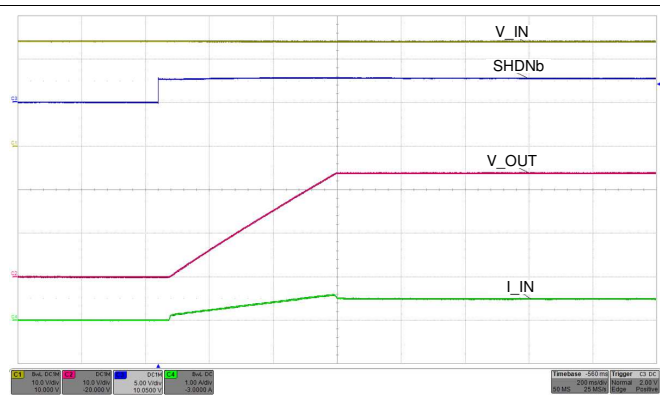


Figure 59. Start-Up With Shutdown Pin—48-Ω Load

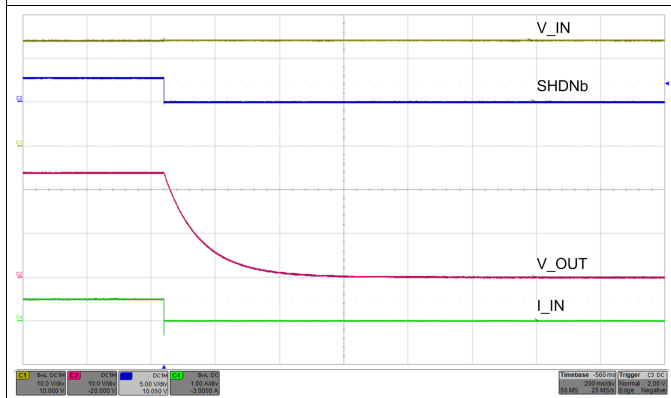


Figure 60. Power Down With Shutdown Pin—48-Ω Load

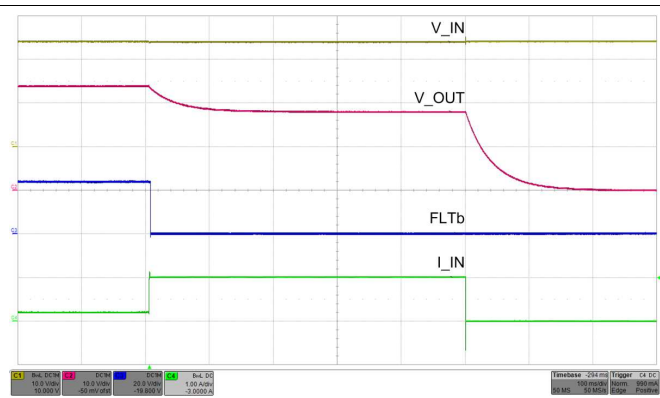


Figure 61. Over Load Response—Load Stepped from 100-Ω to 18-Ω Load

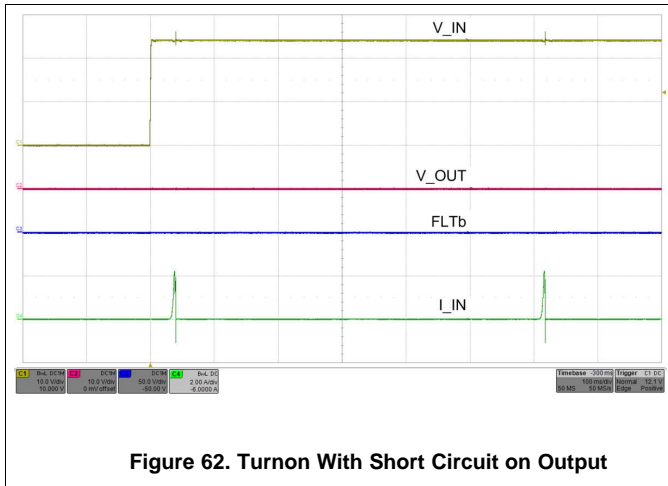


Figure 62. Turnon With Short Circuit on Output

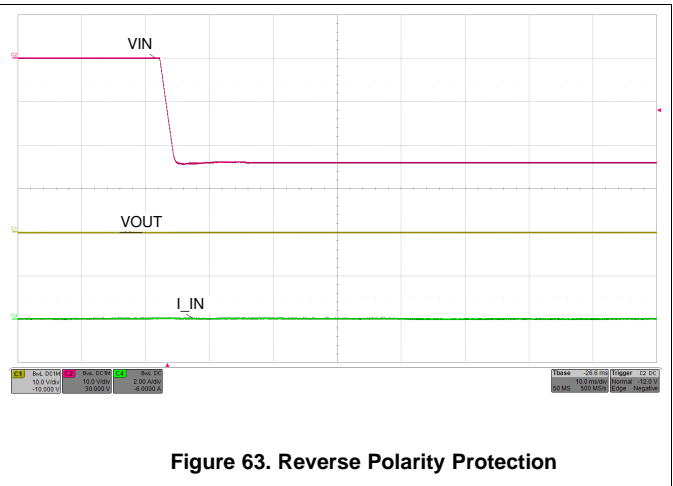


Figure 63. Reverse Polarity Protection

### 10.3 System Examples

#### 10.3.1 Active ORing Operation

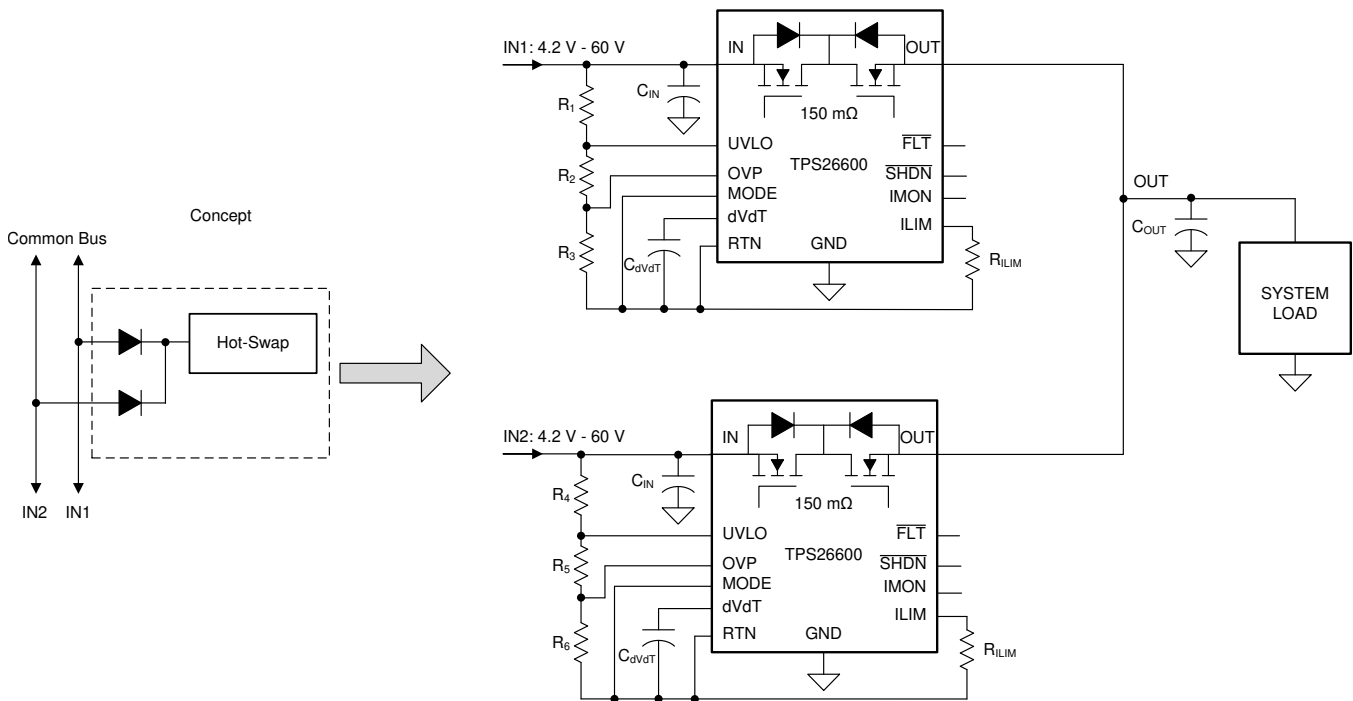


Figure 64. Active ORing Application Schematic

Figure 64 shows a typical redundant power supply configuration of the system. Schottky ORing diodes have been popular for connecting parallel power supplies, such as parallel operation of wall adapter with a battery or a hold-up storage capacitor. The disadvantage of using ORing diodes is high voltage drop and associated power loss. The TPS2660x with integrated, N-channel back to back FETs provide a simple and efficient solution.

A fast reverse comparator controls the internal FET and it is turned ON or OFF with hysteresis as shown in Figure 65. The internal FET is turned off within 1.5  $\mu$ s (typical) as soon as  $V_{(IN)} - V_{(OUT)}$  falls below  $-110$  mV. It turns on within 40  $\mu$ s (typical) once the differential forward voltage  $V_{(IN)} - V_{(OUT)}$  exceeds 100 mV. Figure 66 and Figure 67 show typical switch-over waveforms of Active ORing implementation using the TPS26600.

System Examples (continued)

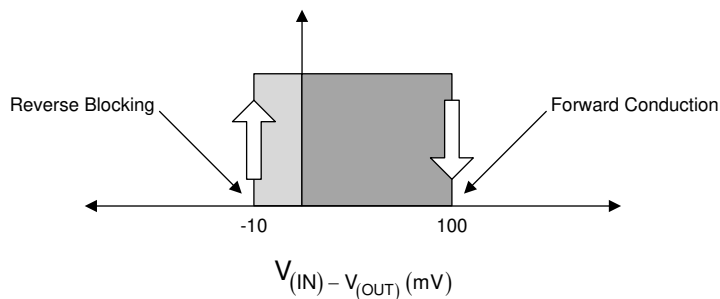


Figure 65. Active ORing Thresholds

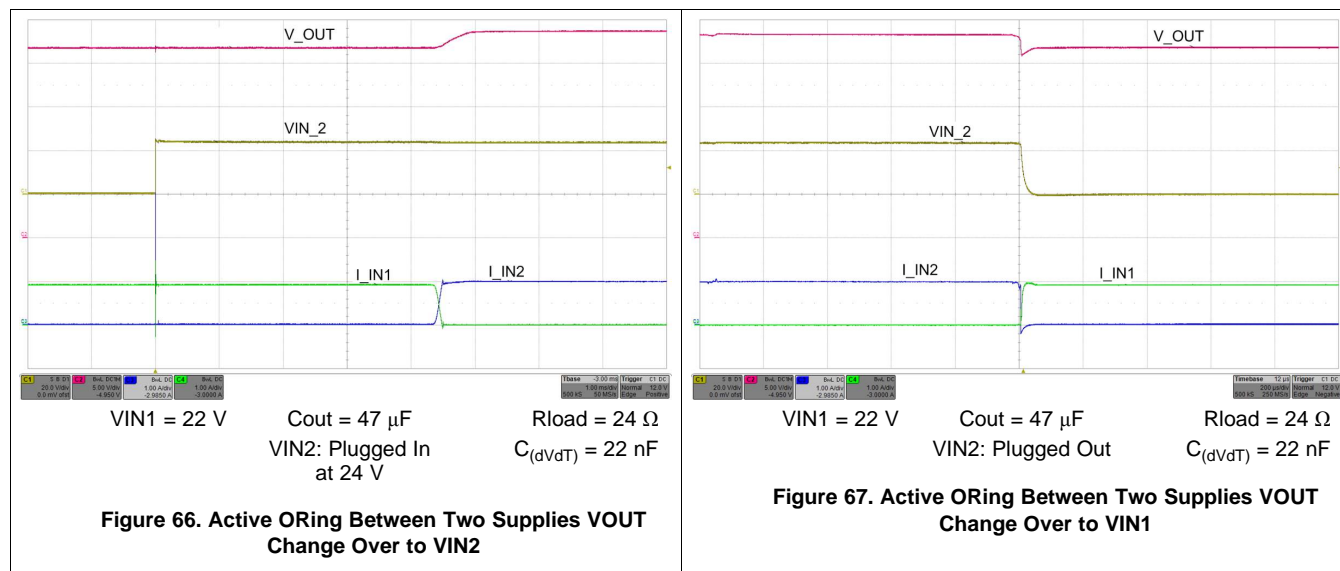


Figure 66. Active ORing Between Two Supplies VOUT Change Over to VIN2

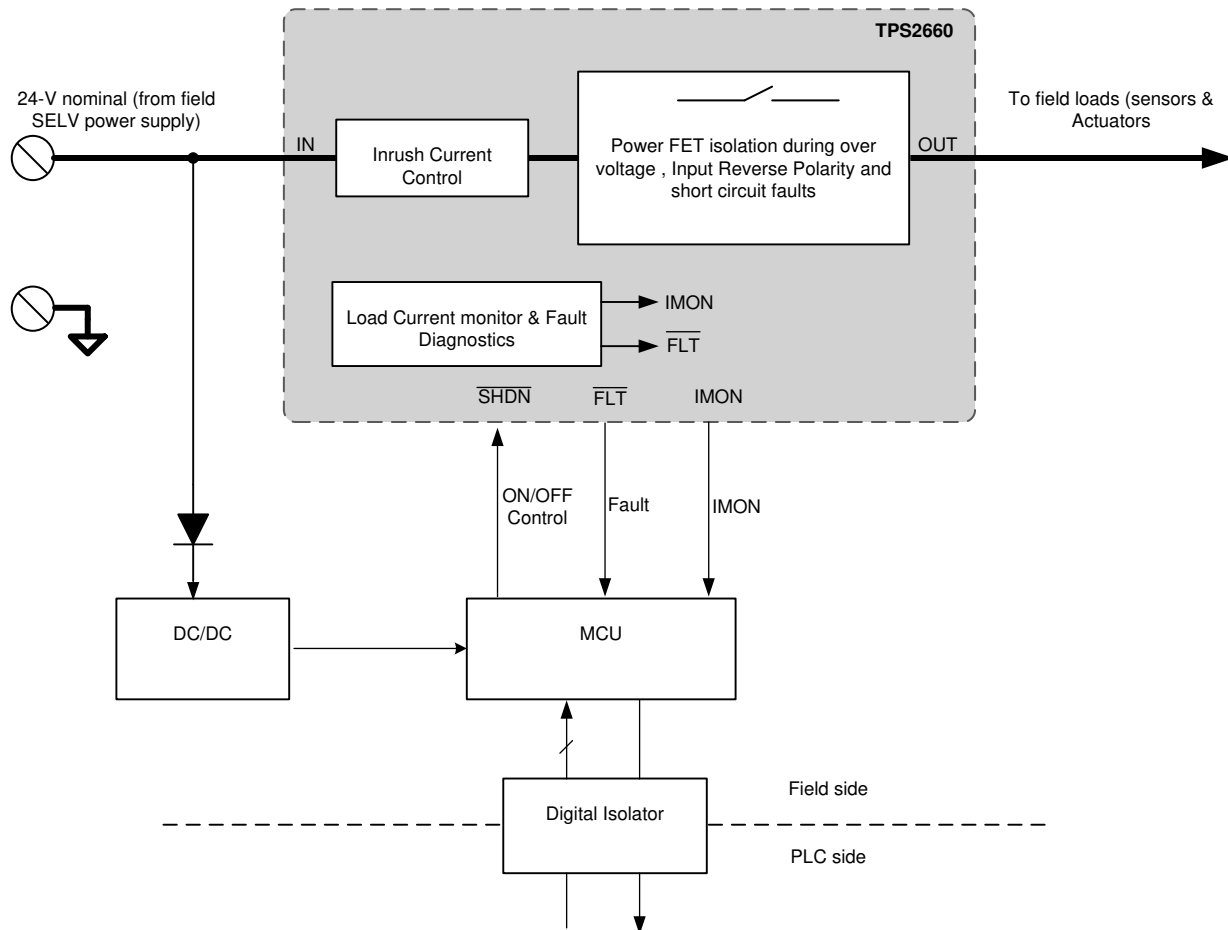
Figure 67. Active ORing Between Two Supplies VOUT Change Over to VIN1

NOTE

All control pins of the un-powered TPS2660x device in the Active ORing configuration will measure approximately 0.7 V drop with respect to GND. The system micro-controller should ignore IMON and FLT pin voltage measurements of this device when these signals are being monitored.

## System Examples (continued)

### 10.3.2 Field Supply Protection in PLC, DCS I/O Modules



**Figure 68. Power Delivery Circuit Block Diagram in I/O Modules**

The PLC or Distributed Control System (DCS) I/O modules are often connected to an external field power supply to support higher power requirements of the field loads like sensors and actuators. Power-supply faults or miswiring can damage the loads or cause the loads not to operate correctly. The TPS2660x can be used as a front end protection circuit to protect and provide stable supply to the field loads. Under voltage, Over voltage and reverse polarity protection features of the TPS2660x prevent the loads to experience voltages outside the operating range, which can permanently damage the loads.

Field power supply is often connected to multiple I/O modules and is capable of delivering more current than a single I/O module can handle. Overcurrent protection scheme of the TPS2660x limits the current from the power supply to the module so that the maximum current does not rise above what the board is designed for. Fast short circuit protection scheme isolates the faulty load from the field supply quickly and prevents the field supply to dip and cause interrupts in the other I/O modules connected to the same field supply. High accurate ( $\pm 5\%$  at 1 A) current limit facilitates more I/O modules to be connected to field supply. Load current monitor (IMON) and fault indication (FLT) features facilitate continuous load monitoring.

The TPS2660x also acts as a smart diode with protection against reverse current during output side miswiring. Reverse current can potentially damage the field power supply and cause the I/O modules to run hot or may cause permanent damage.

If the field power supply is connected in reverse polarity (which is not unlikely as field power supplies are usually connected with screw terminals), field loads can permanently get damaged due to the reverse voltage. The reverse polarity protection feature of the TPS2660x prevents the reverse voltage to appear at the load side.

## System Examples (continued)

### 10.3.3 Simple 24-V Power Supply Path Protection

With the TPS2660x, a simple 24-V power supply path protection can be realized using a minimum of three external components as shown in the schematic diagram in Figure 69. The external components required are: a  $R_{(ILIM)}$  resistor to program the current limit,  $C_{(IN)}$  and  $C_{(OUT)}$  capacitors.

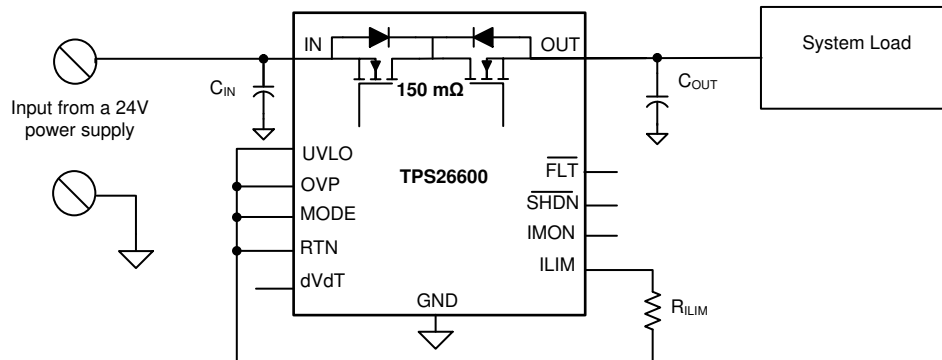


Figure 69. TPS26600 Configured for a Simple 24-V Supply Path Protection

Protection features with this configuration include:

- Load and device protection from reverse input polarity fault down to  $-60V$
- 15 V (typical) rising under voltage lock-out threshold
- 33 V (typical) rising overvoltage cut-off threshold
- Protection from 60 V from the external SELV supply
- Inrush current control with 24V/1.6 ms output voltage slew rate
- Reverse Current Blocking
- Accurate current limiting with Auto-Retry

### 10.4 Do's and Don'ts

- Do not connect RTN to GND. Connecting RTN to GND disables the Reverse Polarity protection feature
- Do connect the TPS2660x support components  $R_{(ILIM)}$ ,  $C_{(dVdT)}$ ,  $R_{(IMON)}$ ,  $R_{(MODE)}$  and UVLO, OVP resistors with respect to RTN pin
- Do connect device PowerPAD to the RTN plane for an enhanced thermal performance

## 11 Power Supply Recommendations

The TPS2660x eFuse is designed for the supply voltage range of  $4.2\text{ V} \leq V_{\text{IN}} \leq 60\text{ V}$ . If the input supply is located more than a few inches from the device, an input ceramic bypass capacitor higher than  $0.1\text{ }\mu\text{F}$  is recommended. Power supply must be rated higher than the current limit set to avoid voltage droops during overcurrent and short circuit conditions.

### 11.1 Transient Protection

In case of short circuit and over load current limit, when the device interrupts current flow, input inductance generates a positive voltage spike on the input and output inductance generates a negative voltage spike on the output. The peak amplitude of voltage spikes (transients) is dependent on value of inductance in series to the input or output of the device. Such transients can exceed the *Absolute Maximum Ratings* of the device if steps are not taken to address the issue.

Typical methods for addressing transients include

- Minimizing lead length and inductance into and out of the device
- Using large PCB GND plane
- Schottky diode across the output to absorb negative spikes
- A low value ceramic capacitor ( $C_{\text{IN}}$ ) to approximately  $0.1\text{ }\mu\text{F}$  to absorb the energy and dampen the transients.

The approximate value of input capacitance can be estimated with [Equation 25](#).

$$V_{\text{spike(Absolute)}} = V_{\text{(IN)}} + I_{\text{(Load)}} \times \sqrt{\frac{L_{\text{(IN)}}}{C_{\text{(IN)}}}}$$

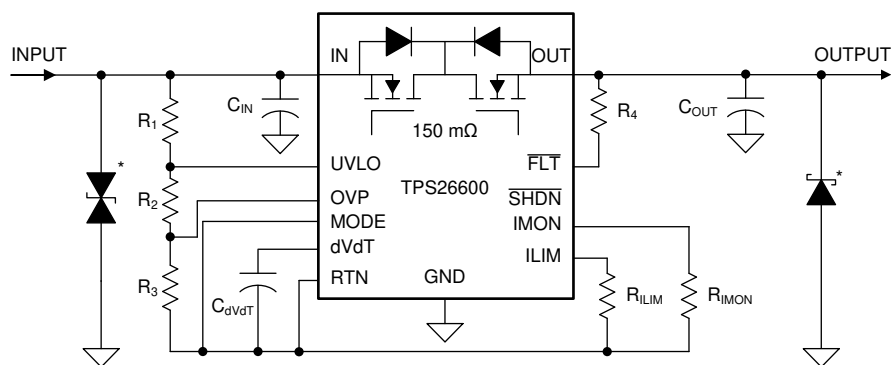
where

- $V_{\text{(IN)}}$  is the nominal supply voltage
- $I_{\text{(LOAD)}}$  is the load current
- $L_{\text{(IN)}}$  equals the effective inductance seen looking into the source
- $C_{\text{(IN)}}$  is the capacitance present at the input

(25)

Some applications may require additional Transient Voltage Suppressor (TVS) to prevent transients from exceeding the *Absolute Maximum Ratings* of the device. These transients can occur during positive and negative surge tests on the supply lines. In such applications it is recommended to place at least  $1\text{ }\mu\text{F}$  of input capacitor to limit the falling slew rate of the input voltage within a maximum of  $20\text{ V}/\mu\text{s}$ .

The circuit implementation with optional protection components (a ceramic capacitor, TVS and schottky diode) is shown in [Figure 70](#).



\* Optional components needed for suppression of transients

**Figure 70. Circuit Implementation With Optional Protection Components**

## 12 Layout

### 12.1 Layout Guidelines

- For all the applications, a 0.1  $\mu\text{F}$  or higher value ceramic decoupling capacitor is recommended between IN terminal and GND.
- The optimum placement of decoupling capacitor is closest to the IN and GND terminals of the device. Care must be taken to minimize the loop area formed by the bypass-capacitor connection, the IN terminal, and the GND terminal of the IC. See [Figure 71](#) and [Figure 72](#) for PCB layout examples with HTSSOP and VQFN packages respectively.
- High current carrying power path connections must be as short as possible and must be sized to carry at least twice the full-load current.
- RTN, which is the reference ground for the device must be a copper plane or island.
- Locate all the TPS2660x support components  $R_{(ILIM)}$ ,  $C_{(dVdT)}$ ,  $R_{(IMON)}$ , and MODE, UVLO, OVP resistors close to their connection pin. Connect the other end of the component to the RTN with shortest trace length.
- The trace routing for the  $R_{(ILIM)}$  and  $R_{(IMON)}$  components to the device must be as short as possible to reduce parasitic effects on the current limit and current monitoring accuracy. These traces must not have any coupling to switching signals on the board.
- Protection devices such as TVS, snubbers, capacitors, or diodes must be placed physically close to the device they are intended to protect, and routed with short traces to reduce inductance. For example, a protection Schottky diode is recommended to address negative transients due to switching of inductive loads, and it must be physically close to the OUT and GND pins.
- Thermal Considerations: When properly mounted, the PowerPAD package provides significantly greater cooling ability. To operate at rated power, the PowerPAD must be soldered directly to the board RTN plane directly under the device. Other planes, such as the bottom side of the circuit board can be used to increase heat sinking in higher current applications. Designs that do not need reverse input polarity protection can have RTN, GND and PowerPAD connected together. PowerPAD in these designs can be connected to the PCB ground plane.

## 12.2 Layout Example

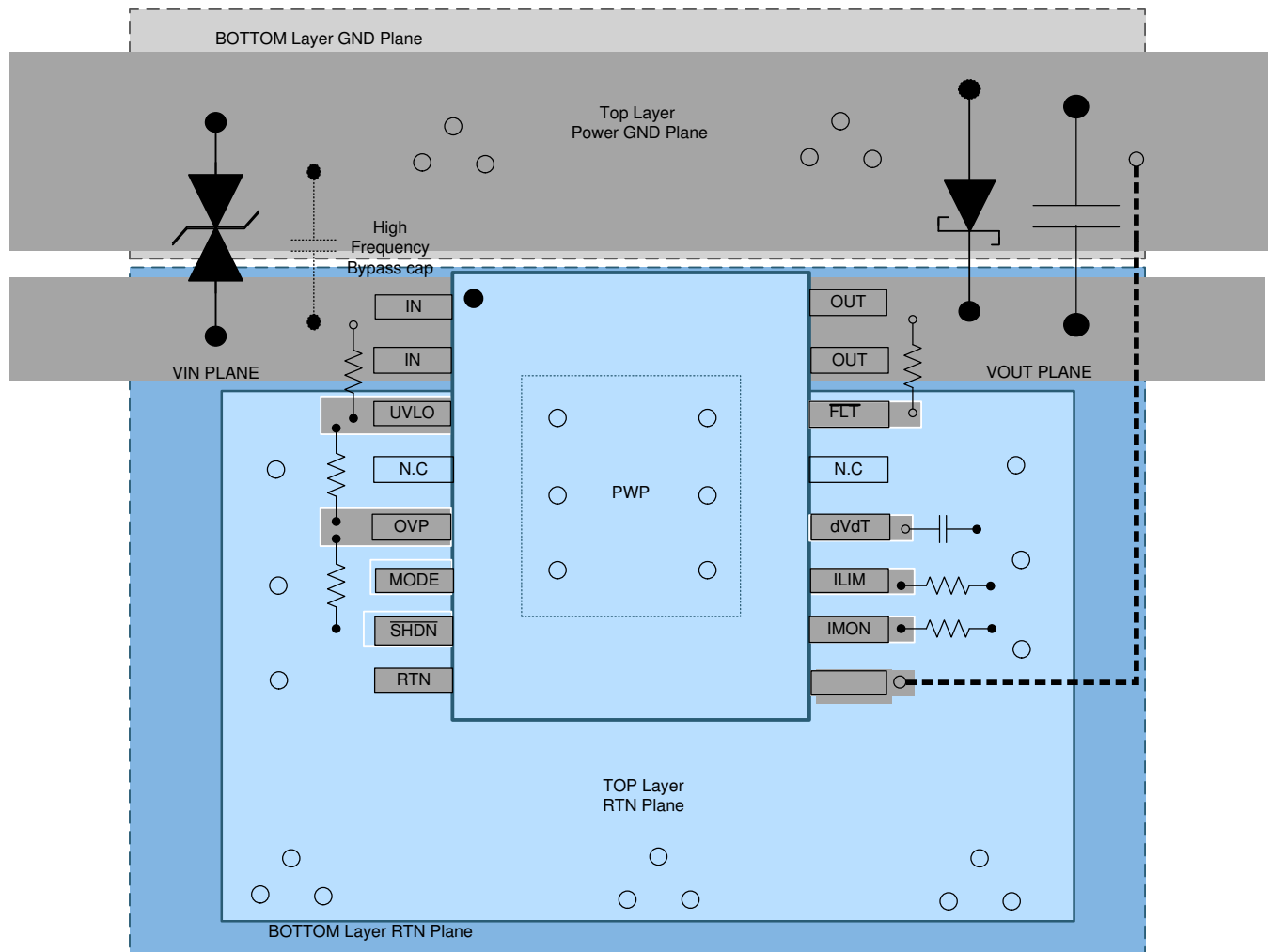



Figure 71. Typical PCB Layout Example With HTSSOP Package With a 2 Layer PCB

Layout Example (continued)

-  Top Layer
-  Bottom layer GND plane
-  Top Layer RTN Plane
-  Bottom Layer RTN Plane
-  Via to Bottom Layer
-  Track in bottom layer

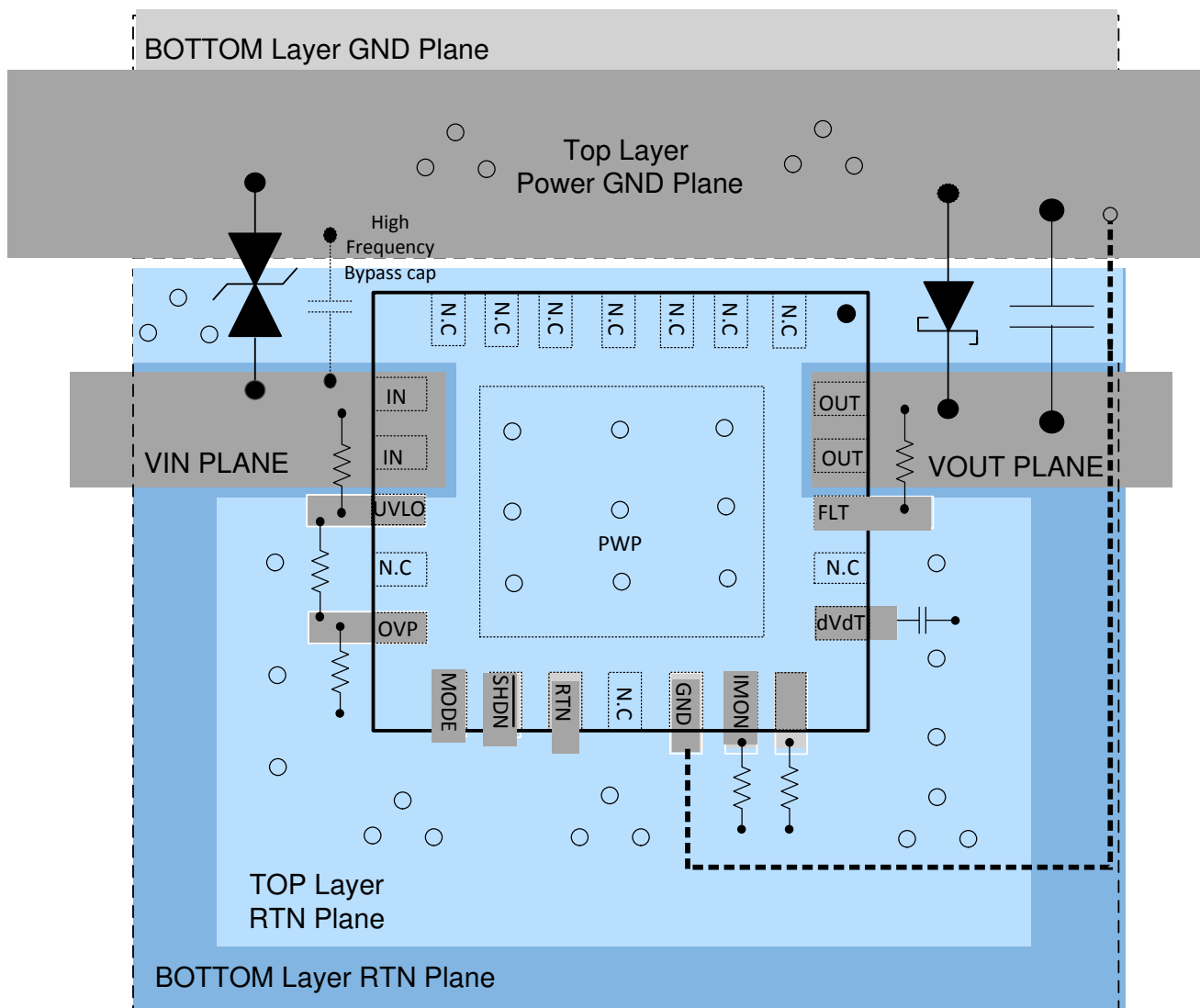


Figure 72. Typical PCB Layout Example With VQFN Package With a 2 Layer PCB

## 13 器件和文档支持

### 13.1 器件支持

有关 TPS26600 PSpice 瞬态模式，请参阅 [SLVMBR3B](#)。

有关 TPS26602 PSpice 瞬态模式，请参阅 [SLVMBR4C](#)。

### 13.2 文档支持

#### 13.2.1 相关文档

请参阅如下相关文档：

- 《[TPS26600-02EVM: TPS2660x 评估模块用户指南](#)》
- 《[使用负载开关和电子保险丝的电源多路复用](#)》
- 《[TPS2660 简化 PLC 系统中的浪涌和电源故障保护电路](#)》

### 13.3 接收文档更新通知

要接收文档更新通知，请导航至 [TI.com.cn](http://TI.com.cn) 上的器件产品文件夹。单击右上角的通知我进行注册，即可每周接收产品信息更改摘要。有关更改的详细信息，请查看任何已修订文档中包含的修订历史记录。

### 13.4 社区资源

[TI E2E™ support forums](#) are an engineer's go-to source for fast, verified answers and design help — straight from the experts. Search existing answers or ask your own question to get the quick design help you need.

Linked content is provided "AS IS" by the respective contributors. They do not constitute TI specifications and do not necessarily reflect TI's views; see TI's [Terms of Use](#).

### 13.5 商标

E2E is a trademark of Texas Instruments.

All other trademarks are the property of their respective owners.

### 13.6 静电放电警告



ESD 可能会损坏该集成电路。德州仪器 (TI) 建议通过适当的预防措施处理所有集成电路。如果不遵守正确的处理措施和安装程序，可能会损坏集成电路。

ESD 的损坏小至导致微小的性能降级，大至整个器件故障。精密的集成电路可能更容易受到损坏，这是因为非常细微的参数更改都可能导致器件与其发布的规格不相符。

### 13.7 Glossary

[SLYZ022](#) — *TI Glossary*.

This glossary lists and explains terms, acronyms, and definitions.

## 14 机械、封装和可订购信息

以下页面包含机械、封装和可订购信息。这些信息是指定器件的最新可用数据。数据如有变更，恕不另行通知，且不会对此文档进行修订。如需获取此数据表的浏览器版本，请查阅左侧的导航栏。

**PACKAGING INFORMATION**

| Orderable part number        | Status<br>(1) | Material type<br>(2) | Package   Pins    | Package qty   Carrier | RoHS<br>(3) | Lead finish/<br>Ball material<br>(4) | MSL rating/<br>Peak reflow<br>(5) | Op temp (°C) | Part marking<br>(6) |
|------------------------------|---------------|----------------------|-------------------|-----------------------|-------------|--------------------------------------|-----------------------------------|--------------|---------------------|
| <a href="#">TPS26600PWPR</a> | Active        | Production           | HTSSOP (PWP)   16 | 2000   LARGE T&R      | Yes         | NIPDAU                               | Level-2-260C-1 YEAR               | -40 to 125   | 26600               |
| TPS26600PWPR.A               | Active        | Production           | HTSSOP (PWP)   16 | 2000   LARGE T&R      | Yes         | NIPDAU                               | Level-2-260C-1 YEAR               | -40 to 125   | 26600               |
| <a href="#">TPS26600PWPT</a> | Active        | Production           | HTSSOP (PWP)   16 | 250   SMALL T&R       | Yes         | NIPDAU                               | Level-2-260C-1 YEAR               | -40 to 125   | 26600               |
| TPS26600PWPT.A               | Active        | Production           | HTSSOP (PWP)   16 | 250   SMALL T&R       | Yes         | NIPDAU                               | Level-2-260C-1 YEAR               | -40 to 125   | 26600               |
| TPS26600PWPTG4               | Active        | Production           | HTSSOP (PWP)   16 | 250   SMALL T&R       | Yes         | NIPDAU                               | Level-2-260C-1 YEAR               | -40 to 125   | 26600               |
| TPS26600PWPTG4.A             | Active        | Production           | HTSSOP (PWP)   16 | 250   SMALL T&R       | Yes         | NIPDAU                               | Level-2-260C-1 YEAR               | -40 to 125   | 26600               |
| <a href="#">TPS26600RHFR</a> | Active        | Production           | VQFN (RHF)   24   | 3000   LARGE T&R      | Yes         | NIPDAU                               | Level-2-260C-1 YEAR               | -40 to 125   | TPS<br>26600        |
| TPS26600RHFR.A               | Active        | Production           | VQFN (RHF)   24   | 3000   LARGE T&R      | Yes         | NIPDAU                               | Level-2-260C-1 YEAR               | -40 to 125   | TPS<br>26600        |
| <a href="#">TPS26600RHFT</a> | Active        | Production           | VQFN (RHF)   24   | 250   SMALL T&R       | Yes         | NIPDAU                               | Level-2-260C-1 YEAR               | -40 to 125   | TPS<br>26600        |
| TPS26600RHFT.A               | Active        | Production           | VQFN (RHF)   24   | 250   SMALL T&R       | Yes         | NIPDAU                               | Level-2-260C-1 YEAR               | -40 to 125   | TPS<br>26600        |
| TPS26600RHFTG4               | Active        | Production           | VQFN (RHF)   24   | 250   SMALL T&R       | Yes         | NIPDAU                               | Level-2-260C-1 YEAR               | -40 to 125   | TPS<br>26600        |
| TPS26600RHFTG4.A             | Active        | Production           | VQFN (RHF)   24   | 250   SMALL T&R       | Yes         | NIPDAU                               | Level-2-260C-1 YEAR               | -40 to 125   | TPS<br>26600        |
| <a href="#">TPS26601RHFR</a> | Active        | Production           | VQFN (RHF)   24   | 3000   LARGE T&R      | Yes         | NIPDAU                               | Level-2-260C-1 YEAR               | -40 to 125   | TPS<br>26601        |
| TPS26601RHFR.A               | Active        | Production           | VQFN (RHF)   24   | 3000   LARGE T&R      | Yes         | NIPDAU                               | Level-2-260C-1 YEAR               | -40 to 125   | TPS<br>26601        |
| <a href="#">TPS26601RHFT</a> | Active        | Production           | VQFN (RHF)   24   | 250   SMALL T&R       | Yes         | NIPDAU                               | Level-2-260C-1 YEAR               | -40 to 125   | TPS<br>26601        |
| TPS26601RHFT.A               | Active        | Production           | VQFN (RHF)   24   | 250   SMALL T&R       | Yes         | NIPDAU                               | Level-2-260C-1 YEAR               | -40 to 125   | TPS<br>26601        |
| TPS26601RHFTG4               | Active        | Production           | VQFN (RHF)   24   | 250   SMALL T&R       | Yes         | NIPDAU                               | Level-2-260C-1 YEAR               | -40 to 125   | TPS<br>26601        |
| TPS26601RHFTG4.A             | Active        | Production           | VQFN (RHF)   24   | 250   SMALL T&R       | Yes         | NIPDAU                               | Level-2-260C-1 YEAR               | -40 to 125   | TPS<br>26601        |
| <a href="#">TPS26602PWPR</a> | Active        | Production           | HTSSOP (PWP)   16 | 2000   LARGE T&R      | Yes         | NIPDAU                               | Level-2-260C-1 YEAR               | -40 to 125   | 26602               |
| TPS26602PWPR.A               | Active        | Production           | HTSSOP (PWP)   16 | 2000   LARGE T&R      | Yes         | NIPDAU                               | Level-2-260C-1 YEAR               | -40 to 125   | 26602               |

| Orderable part number        | Status<br>(1) | Material type<br>(2) | Package   Pins    | Package qty   Carrier | RoHS<br>(3) | Lead finish/<br>Ball material<br>(4) | MSL rating/<br>Peak reflow<br>(5) | Op temp (°C) | Part marking<br>(6) |
|------------------------------|---------------|----------------------|-------------------|-----------------------|-------------|--------------------------------------|-----------------------------------|--------------|---------------------|
| <a href="#">TPS26602PWPT</a> | Active        | Production           | HTSSOP (PWP)   16 | 250   SMALL T&R       | Yes         | NIPDAU                               | Level-2-260C-1 YEAR               | -40 to 125   | 26602               |
| TPS26602PWPT.A               | Active        | Production           | HTSSOP (PWP)   16 | 250   SMALL T&R       | Yes         | NIPDAU                               | Level-2-260C-1 YEAR               | -40 to 125   | 26602               |
| TPS26602PWPTG4               | Active        | Production           | HTSSOP (PWP)   16 | 250   SMALL T&R       | Yes         | NIPDAU                               | Level-2-260C-1 YEAR               | -40 to 125   | 26602               |
| TPS26602PWPTG4.A             | Active        | Production           | HTSSOP (PWP)   16 | 250   SMALL T&R       | Yes         | NIPDAU                               | Level-2-260C-1 YEAR               | -40 to 125   | 26602               |
| <a href="#">TPS26602RHFR</a> | Active        | Production           | VQFN (RHF)   24   | 3000   LARGE T&R      | Yes         | NIPDAU                               | Level-2-260C-1 YEAR               | -40 to 125   | TPS<br>26602        |
| TPS26602RHFR.A               | Active        | Production           | VQFN (RHF)   24   | 3000   LARGE T&R      | Yes         | NIPDAU                               | Level-2-260C-1 YEAR               | -40 to 125   | TPS<br>26602        |
| TPS26602RHFRG4               | Active        | Production           | VQFN (RHF)   24   | 3000   LARGE T&R      | Yes         | NIPDAU                               | Level-2-260C-1 YEAR               | -40 to 125   | TPS<br>26602        |
| TPS26602RHFRG4.A             | Active        | Production           | VQFN (RHF)   24   | 3000   LARGE T&R      | Yes         | NIPDAU                               | Level-2-260C-1 YEAR               | -40 to 125   | TPS<br>26602        |
| <a href="#">TPS26602RHFT</a> | Active        | Production           | VQFN (RHF)   24   | 250   SMALL T&R       | Yes         | NIPDAU                               | Level-2-260C-1 YEAR               | -40 to 125   | TPS<br>26602        |
| TPS26602RHFT.A               | Active        | Production           | VQFN (RHF)   24   | 250   SMALL T&R       | Yes         | NIPDAU                               | Level-2-260C-1 YEAR               | -40 to 125   | TPS<br>26602        |

(1) **Status:** For more details on status, see our [product life cycle](#).

(2) **Material type:** When designated, preproduction parts are prototypes/experimental devices, and are not yet approved or released for full production. Testing and final process, including without limitation quality assurance, reliability performance testing, and/or process qualification, may not yet be complete, and this item is subject to further changes or possible discontinuation. If available for ordering, purchases will be subject to an additional waiver at checkout, and are intended for early internal evaluation purposes only. These items are sold without warranties of any kind.

(3) **RoHS values:** Yes, No, RoHS Exempt. See the [TI RoHS Statement](#) for additional information and value definition.

(4) **Lead finish/Ball material:** Parts may have multiple material finish options. Finish options are separated by a vertical ruled line. Lead finish/Ball material values may wrap to two lines if the finish value exceeds the maximum column width.

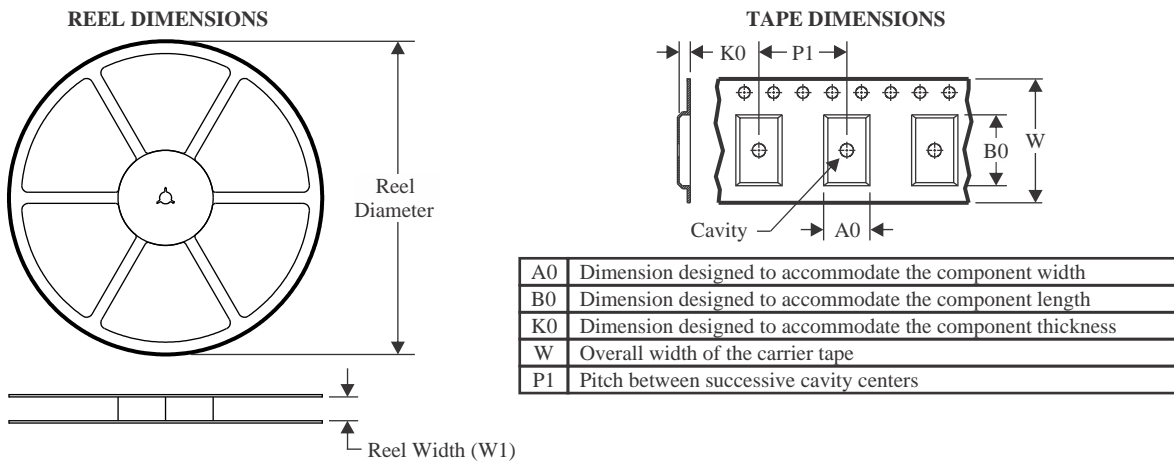
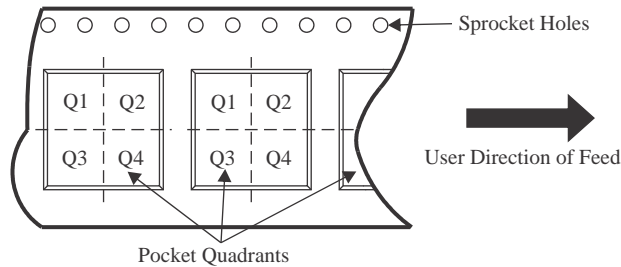
(5) **MSL rating/Peak reflow:** The moisture sensitivity level ratings and peak solder (reflow) temperatures. In the event that a part has multiple moisture sensitivity ratings, only the lowest level per JEDEC standards is shown. Refer to the shipping label for the actual reflow temperature that will be used to mount the part to the printed circuit board.

(6) **Part marking:** There may be an additional marking, which relates to the logo, the lot trace code information, or the environmental category of the part.

Multiple part markings will be inside parentheses. Only one part marking contained in parentheses and separated by a "~" will appear on a part. If a line is indented then it is a continuation of the previous line and the two combined represent the entire part marking for that device.

**Important Information and Disclaimer:** The information provided on this page represents TI's knowledge and belief as of the date that it is provided. TI bases its knowledge and belief on information provided by third parties, and makes no representation or warranty as to the accuracy of such information. Efforts are underway to better integrate information from third parties. TI has taken and continues to take reasonable steps to provide representative and accurate information but may not have conducted destructive testing or chemical analysis on incoming materials and chemicals. TI and TI suppliers consider certain information to be proprietary, and thus CAS numbers and other limited information may not be available for release.

In no event shall TI's liability arising out of such information exceed the total purchase price of the TI part(s) at issue in this document sold by TI to Customer on an annual basis.

**TAPE AND REEL INFORMATION**

**QUADRANT ASSIGNMENTS FOR PIN 1 ORIENTATION IN TAPE**


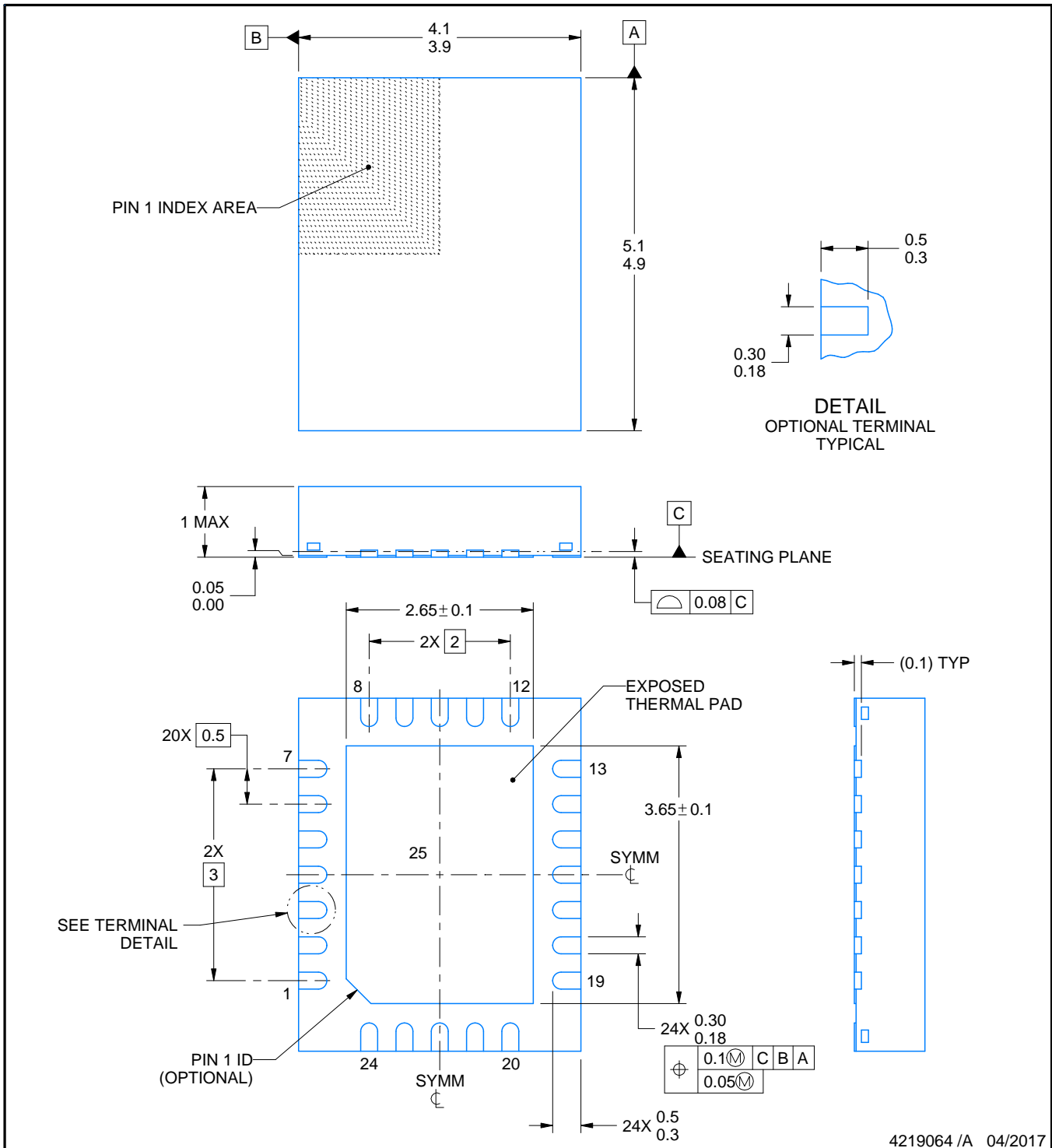
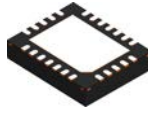
\*All dimensions are nominal

| Device         | Package Type | Package Drawing | Pins | SPQ  | Reel Diameter (mm) | Reel Width W1 (mm) | A0 (mm) | B0 (mm) | K0 (mm) | P1 (mm) | W (mm) | Pin1 Quadrant |
|----------------|--------------|-----------------|------|------|--------------------|--------------------|---------|---------|---------|---------|--------|---------------|
| TPS26600PWPR   | HTSSOP       | PWP             | 16   | 2000 | 330.0              | 12.4               | 6.9     | 5.6     | 1.6     | 8.0     | 12.0   | Q1            |
| TPS26600PWPT   | HTSSOP       | PWP             | 16   | 250  | 180.0              | 12.4               | 6.9     | 5.6     | 1.6     | 8.0     | 12.0   | Q1            |
| TPS26600PWPTG4 | HTSSOP       | PWP             | 16   | 250  | 180.0              | 12.4               | 6.9     | 5.6     | 1.6     | 8.0     | 12.0   | Q1            |
| TPS26600RHFR   | VQFN         | RHF             | 24   | 3000 | 330.0              | 12.4               | 4.3     | 5.3     | 1.3     | 8.0     | 12.0   | Q1            |
| TPS26600RHFT   | VQFN         | RHF             | 24   | 250  | 180.0              | 12.4               | 4.3     | 5.3     | 1.3     | 8.0     | 12.0   | Q1            |
| TPS26600RHFTG4 | VQFN         | RHF             | 24   | 250  | 180.0              | 12.4               | 4.3     | 5.3     | 1.3     | 8.0     | 12.0   | Q1            |
| TPS26601RHFR   | VQFN         | RHF             | 24   | 3000 | 330.0              | 12.4               | 4.3     | 5.3     | 1.3     | 8.0     | 12.0   | Q1            |
| TPS26601RHFT   | VQFN         | RHF             | 24   | 250  | 180.0              | 12.4               | 4.3     | 5.3     | 1.3     | 8.0     | 12.0   | Q1            |
| TPS26601RHFTG4 | VQFN         | RHF             | 24   | 250  | 180.0              | 12.4               | 4.3     | 5.3     | 1.3     | 8.0     | 12.0   | Q1            |
| TPS26602PWPR   | HTSSOP       | PWP             | 16   | 2000 | 330.0              | 12.4               | 6.9     | 5.6     | 1.6     | 8.0     | 12.0   | Q1            |
| TPS26602PWPT   | HTSSOP       | PWP             | 16   | 250  | 180.0              | 12.4               | 6.9     | 5.6     | 1.6     | 8.0     | 12.0   | Q1            |
| TPS26602PWPTG4 | HTSSOP       | PWP             | 16   | 250  | 180.0              | 12.4               | 6.9     | 5.6     | 1.6     | 8.0     | 12.0   | Q1            |
| TPS26602RHFR   | VQFN         | RHF             | 24   | 3000 | 330.0              | 12.4               | 4.3     | 5.3     | 1.3     | 8.0     | 12.0   | Q1            |
| TPS26602RHFR   | VQFN         | RHF             | 24   | 3000 | 330.0              | 12.4               | 4.3     | 5.3     | 1.3     | 8.0     | 12.0   | Q1            |
| TPS26602RHFRG4 | VQFN         | RHF             | 24   | 3000 | 330.0              | 12.4               | 4.3     | 5.3     | 1.3     | 8.0     | 12.0   | Q1            |
| TPS26602RHFT   | VQFN         | RHF             | 24   | 250  | 180.0              | 12.4               | 4.3     | 5.3     | 1.3     | 8.0     | 12.0   | Q1            |

**TAPE AND REEL BOX DIMENSIONS**


\*All dimensions are nominal

| Device         | Package Type | Package Drawing | Pins | SPQ  | Length (mm) | Width (mm) | Height (mm) |
|----------------|--------------|-----------------|------|------|-------------|------------|-------------|
| TPS26600PWPR   | HTSSOP       | PWP             | 16   | 2000 | 350.0       | 350.0      | 43.0        |
| TPS26600PWPT   | HTSSOP       | PWP             | 16   | 250  | 210.0       | 185.0      | 35.0        |
| TPS26600PWPTG4 | HTSSOP       | PWP             | 16   | 250  | 210.0       | 185.0      | 35.0        |
| TPS26600RHFR   | VQFN         | RHF             | 24   | 3000 | 367.0       | 367.0      | 35.0        |
| TPS26600RHFT   | VQFN         | RHF             | 24   | 250  | 210.0       | 185.0      | 35.0        |
| TPS26600RHFTG4 | VQFN         | RHF             | 24   | 250  | 210.0       | 185.0      | 35.0        |
| TPS26601RHFR   | VQFN         | RHF             | 24   | 3000 | 367.0       | 367.0      | 35.0        |
| TPS26601RHFT   | VQFN         | RHF             | 24   | 250  | 210.0       | 185.0      | 35.0        |
| TPS26601RHFTG4 | VQFN         | RHF             | 24   | 250  | 210.0       | 185.0      | 35.0        |
| TPS26602PWPR   | HTSSOP       | PWP             | 16   | 2000 | 350.0       | 350.0      | 43.0        |
| TPS26602PWPT   | HTSSOP       | PWP             | 16   | 250  | 210.0       | 185.0      | 35.0        |
| TPS26602PWPTG4 | HTSSOP       | PWP             | 16   | 250  | 210.0       | 185.0      | 35.0        |
| TPS26602RHFR   | VQFN         | RHF             | 24   | 3000 | 367.0       | 367.0      | 35.0        |
| TPS26602RHFR   | VQFN         | RHF             | 24   | 3000 | 346.0       | 346.0      | 33.0        |
| TPS26602RHFRG4 | VQFN         | RHF             | 24   | 3000 | 367.0       | 367.0      | 35.0        |
| TPS26602RHFT   | VQFN         | RHF             | 24   | 250  | 210.0       | 185.0      | 35.0        |



4219064 /A 04/2017

NOTES:

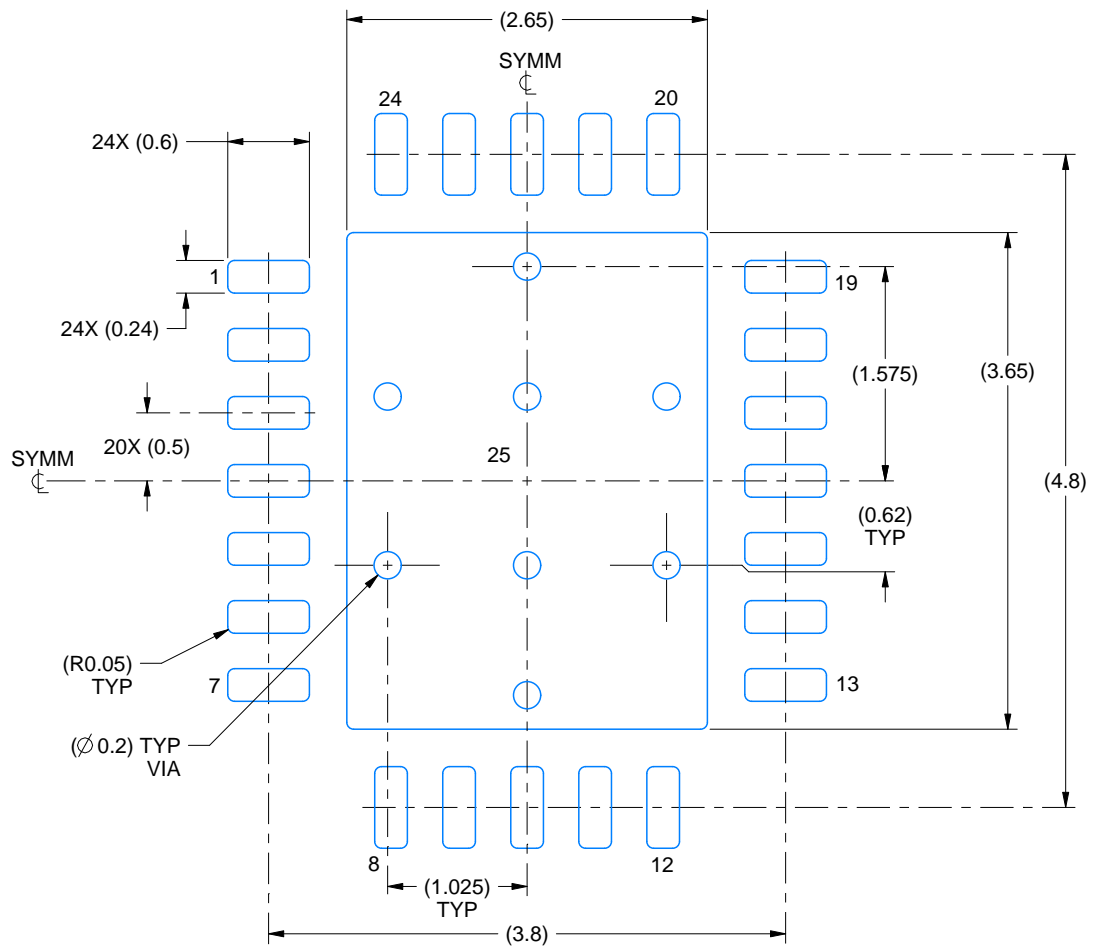
1. All linear dimensions are in millimeters. Any dimensions in parenthesis are for reference only. Dimensioning and tolerancing per ASME Y14.5M.
2. This drawing is subject to change without notice.
3. The package thermal pad must be soldered to the printed circuit board for thermal and mechanical performance.

# EXAMPLE BOARD LAYOUT

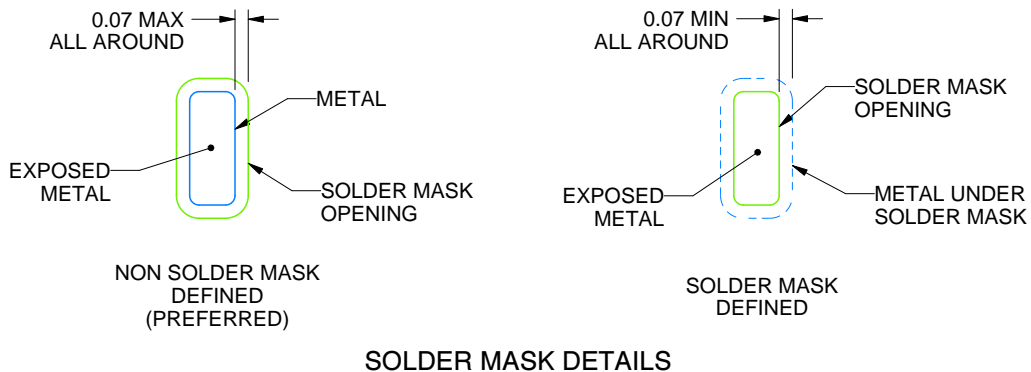
RHF0024A

VQFN - 1 mm max height

PLASTIC QUAD FLATPACK - NO LEAD



LAND PATTERN EXAMPLE  
EXPOSED METAL SHOWN  
SCALE:18X



SOLDER MASK DETAILS

4219064 /A 04/2017

NOTES: (continued)

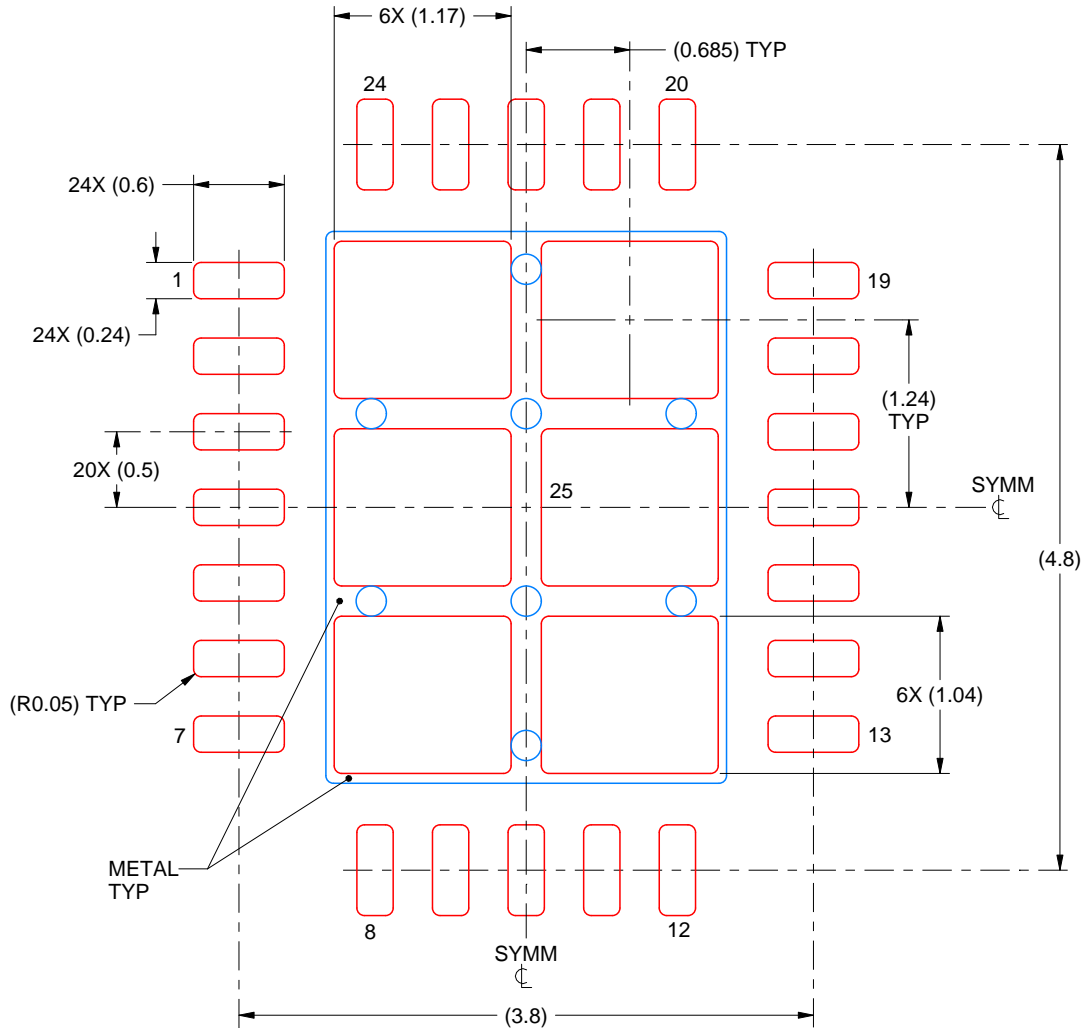
- This package is designed to be soldered to a thermal pad on the board. For more information, see Texas Instruments literature number SLUA271 ([www.ti.com/lit/slua271](http://www.ti.com/lit/slua271)).
- Vias are optional depending on application, refer to device data sheet. If any vias are implemented, refer to their locations shown on this view. It is recommended that vias under paste be filled, plugged or tented.

# EXAMPLE STENCIL DESIGN

RHF0024A

VQFN - 1 mm max height

PLASTIC QUAD FLATPACK - NO LEAD



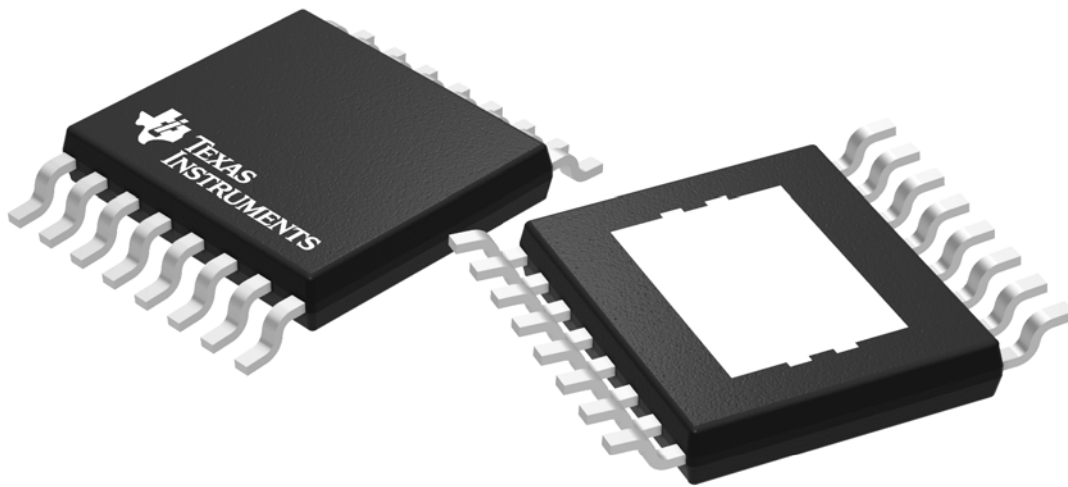
**SOLDER PASTE EXAMPLE**  
 BASED ON 0.125 mm THICK STENCIL

EXPOSED PAD 25  
 75% PRINTED SOLDER COVERAGE BY AREA UNDER PACKAGE  
 SCALE:20X

4219064 /A 04/2017

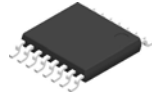
NOTES: (continued)

6. Laser cutting apertures with trapezoidal walls and rounded corners may offer better paste release. IPC-7525 may have alternate design recommendations.



Images above are just a representation of the package family, actual package may vary.  
Refer to the product data sheet for package details.

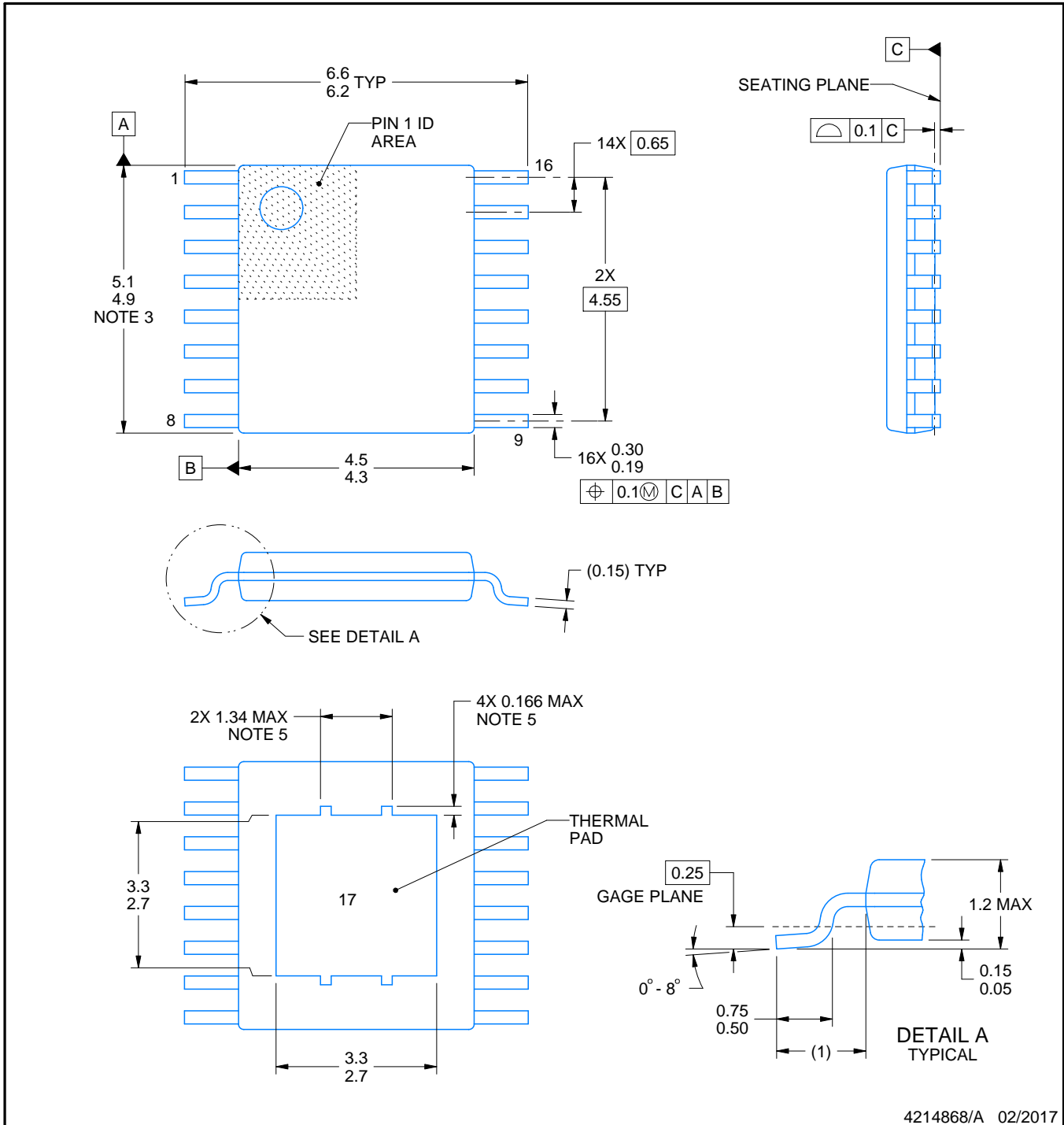
# PWP0016A



# PACKAGE OUTLINE

## PowerPAD™ HTSSOP - 1.2 mm max height

PLASTIC SMALL OUTLINE



4214868/A 02/2017

### NOTES:

PowerPAD is a trademark of Texas Instruments.

1. All linear dimensions are in millimeters. Any dimensions in parenthesis are for reference only. Dimensioning and tolerancing per ASME Y14.5M.
2. This drawing is subject to change without notice.
3. This dimension does not include mold flash, protrusions, or gate burrs. Mold flash, protrusions, or gate burrs shall not exceed 0.15 mm per side.
4. Reference JEDEC registration MO-153.
5. Features may not be present.

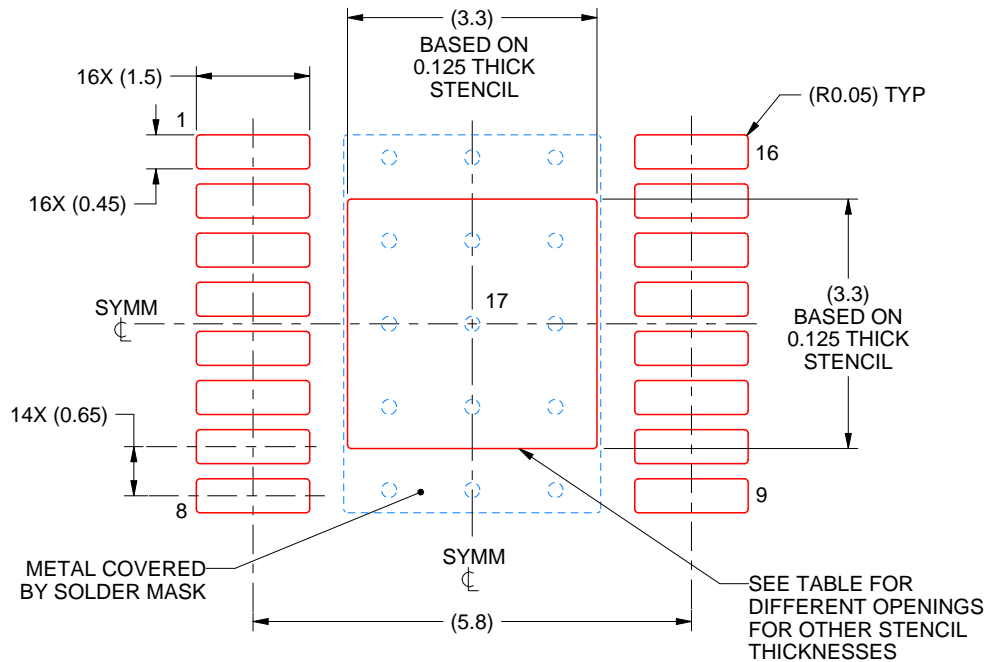


# EXAMPLE STENCIL DESIGN

PWP0016A

PowerPAD™ HTSSOP - 1.2 mm max height

PLASTIC SMALL OUTLINE



SOLDER PASTE EXAMPLE  
 EXPOSED PAD  
 100% PRINTED SOLDER COVERAGE BY AREA  
 SCALE:10X

| STENCIL THICKNESS | SOLDER STENCIL OPENING |
|-------------------|------------------------|
| 0.1               | 3.69 X 3.69            |
| 0.125             | 3.3 X 3.3 (SHOWN)      |
| 0.15              | 3.01 X 3.01            |
| 0.175             | 2.79 X 2.79            |

4214868/A 02/2017

NOTES: (continued)

10. Laser cutting apertures with trapezoidal walls and rounded corners may offer better paste release. IPC-7525 may have alternate design recommendations.
11. Board assembly site may have different recommendations for stencil design.

## 重要通知和免责声明

TI“按原样”提供技术和可靠性数据（包括数据表）、设计资源（包括参考设计）、应用或其他设计建议、网络工具、安全信息和其他资源，不保证没有瑕疵且不做任何明示或暗示的担保，包括但不限于对适销性、与某特定用途的适用性或不侵犯任何第三方知识产权的暗示担保。

这些资源可供使用 TI 产品进行设计的熟练开发人员使用。您将自行承担以下全部责任：(1) 针对您的应用选择合适的 TI 产品，(2) 设计、验证并测试您的应用，(3) 确保您的应用满足相应标准以及任何其他安全、安保法规或其他要求。

这些资源如有变更，恕不另行通知。TI 授权您仅可将这些资源用于研发本资源所述的 TI 产品的相关应用。严禁以其他方式对这些资源进行复制或展示。您无权使用任何其他 TI 知识产权或任何第三方知识产权。对于因您对这些资源的使用而对 TI 及其代表造成的任何索赔、损害、成本、损失和债务，您将全额赔偿，TI 对此概不负责。

TI 提供的产品受 [TI 销售条款](#)、[TI 通用质量指南](#) 或 [ti.com](#) 上其他适用条款或 TI 产品随附的其他适用条款的约束。TI 提供这些资源并不会扩展或以其他方式更改 TI 针对 TI 产品发布的适用的担保或担保免责声明。除非德州仪器 (TI) 明确将某产品指定为定制产品或客户特定产品，否则其产品均为按确定价格收入目录的标准通用器件。

TI 反对并拒绝您可能提出的任何其他或不同的条款。

版权所有 © 2026，德州仪器 (TI) 公司

最后更新日期：2025 年 10 月