

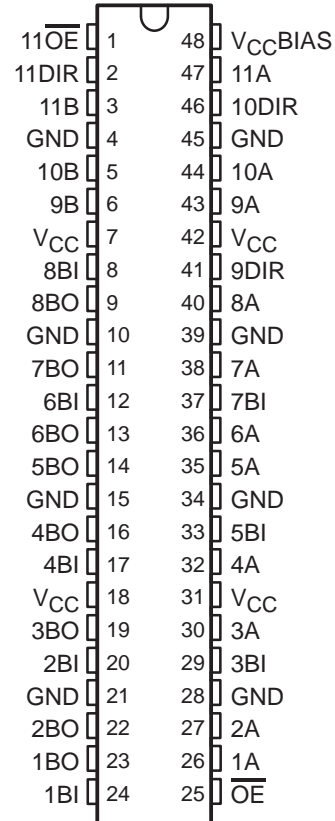
# SN74ABTE16246

## 11-BIT INCIDENT-WAVE SWITCHING BUS TRANSCEIVER WITH 3-STATE AND OPEN-COLLECTOR OUTPUTS

SCBS227J – JULY 1993 – REVISED AUGUST 2003

- Member of the Texas Instruments Widebus™ Family
- Supports the VME64 ETL Specification
- Reduced TTL-Compatible Input Threshold Range
- High-Drive Outputs ( $I_{OH} = -60$  mA,  $I_{OL} = 90$  mA) Support Equivalent 25- $\Omega$  Incident-Wave Switching
- $V_{CCBIAS}$  Pin Minimizes Signal Distortion During Live Insertion
- Internal Pullup Resistor on  $\overline{OE}$  Keeps Outputs in High-Impedance State During Power Up or Power Down
- Distributed  $V_{CC}$  and GND Pins Minimize High-Speed Switching Noise
- Equivalent 25- $\Omega$  Series Damping Resistor on B Port
- Bus Hold on Data Inputs Eliminates the Need for External Pullup/Pulldown Resistors

DGG OR DL PACKAGE  
(TOP VIEW)



### description/ordering information

The SN74ABTE16246 is an 11-bit noninverting transceiver designed for asynchronous two-way communication between buses. This device has open-collector and 3-state outputs. The device allows data transmission from the A bus to the B bus or from the B bus to the A bus, depending on the logic level at the direction-control (DIR) input. The output-enable ( $\overline{OE}$ ) input can be used to disable the device so that the buses are effectively isolated. When  $\overline{OE}$  is low, the device is active.

The B port has an equivalent 25- $\Omega$  series output resistor to reduce ringing. Active bus-hold inputs on the B port hold unused or floating inputs at a valid logic level.

The A port provides for the precharging of the outputs via  $V_{CCBIAS}$ , which establishes a voltage between 1.3 V and 1.7 V when  $V_{CC}$  is not connected.

Active bus-hold circuitry holds unused or undriven inputs at a valid logic state. Use of pullup or pulldown resistors with the bus-hold circuitry is not recommended.

### ORDERING INFORMATION

T <sub>A</sub>	PACKAGE†		ORDERABLE PART NUMBER	TOP-SIDE MARKING
-40°C to 85°C	SSOP – DL	Tube	SN74ABTE16246DL	ABTE16246
		Tape and reel	SN74ABTE16246DLR	
	TSSOP – DGG	Tape and reel	SN74ABTE16246DGGR	ABTE16246

† Package drawings, standard packing quantities, thermal data, symbolization, and PCB design guidelines are available at [www.ti.com/sc/package](http://www.ti.com/sc/package).



Please be aware that an important notice concerning availability, standard warranty, and use in critical applications of Texas Instruments semiconductor products and disclaimers thereto appears at the end of this data sheet.

Widebus is a trademark of Texas Instruments.

PRODUCTION DATA information is current as of publication date. Products conform to specifications per the terms of Texas Instruments standard warranty. Production processing does not necessarily include testing of all parameters.



POST OFFICE BOX 655303 • DALLAS, TEXAS 75265

Copyright © 2003, Texas Instruments Incorporated

**SN74ABTE16246**

**11-BIT INCIDENT-WAVE SWITCHING BUS TRANSCEIVER  
WITH 3-STATE AND OPEN-COLLECTOR OUTPUTS**

SCBS227J – JULY 1993 – REVISED AUGUST 2003

**FUNCTION TABLE**

INPUTS					OPERATION
$\overline{OE}$	9DIR	10DIR	11DIR	11 $\overline{OE}$	
H	X	X	X	X	Isolation
L	X	X	X	X	1BI–8BI data to 1A–8A bus (OC <sup>†</sup> ), 1A–8A data to 1BO–8BO bus
L	L	X	X	X	9A data to 9B bus
L	H	X	X	X	9B data to 9A bus
L	X	L	X	X	10A data to 10B bus
L	X	H	X	X	10B data to 10A bus
L	X	X	L	L	11A data to 11B bus
L	X	X	L	H	11A, 11B isolation
L	X	X	H	X	11B data to 11A bus

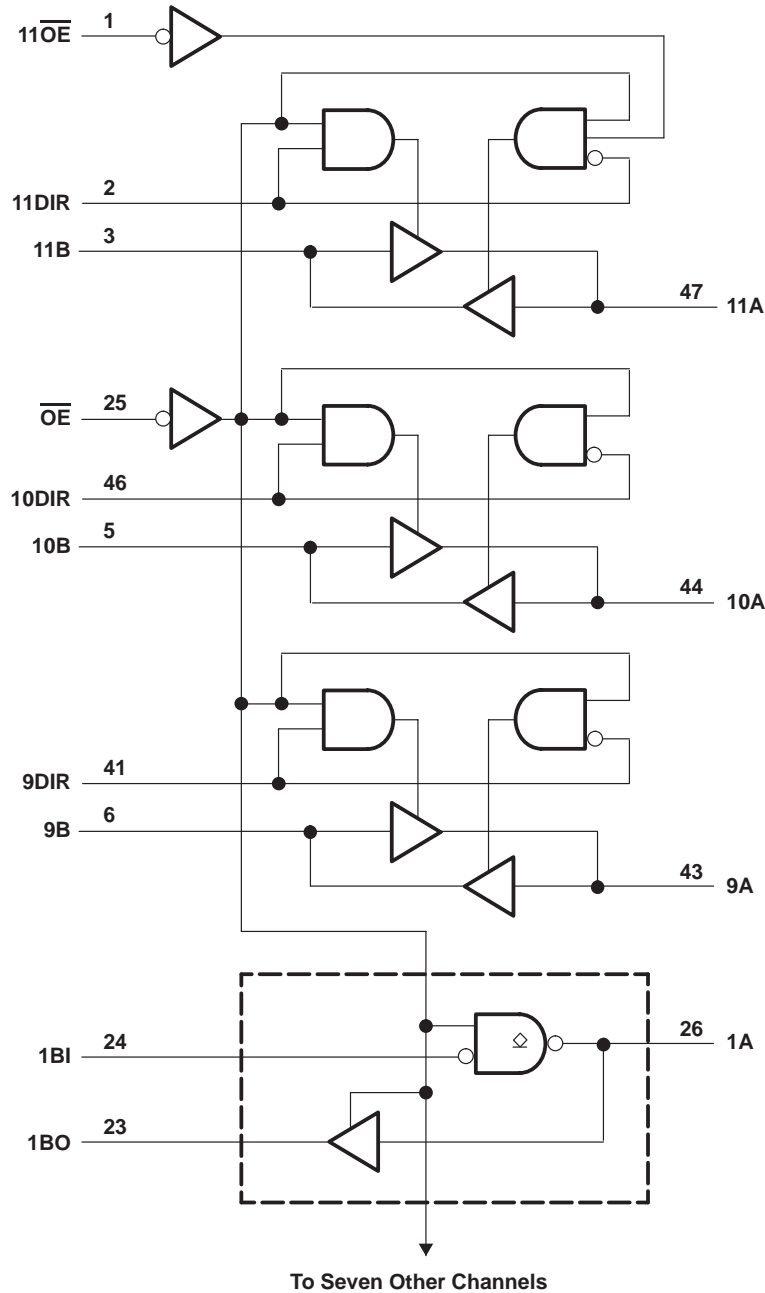
<sup>†</sup> OC = Open-collector outputs



**SN74ABTE16246**  
**11-BIT INCIDENT-WAVE SWITCHING BUS TRANSCEIVER**  
**WITH 3-STATE AND OPEN-COLLECTOR OUTPUTS**

SCBS227J – JULY 1993 – REVISED AUGUST 2003

logic diagram (positive logic)



# SN74ABTE16246

## 11-BIT INCIDENT-WAVE SWITCHING BUS TRANSCEIVER WITH 3-STATE AND OPEN-COLLECTOR OUTPUTS

SCBS227J – JULY 1993 – REVISED AUGUST 2003

### absolute maximum ratings over operating free-air temperature range (unless otherwise noted)†

Supply voltage range, $V_{CC}$ and $V_{CCBIAS}$	–0.5 V to 7 V
Input voltage range, $V_I$ (except I/O ports) (see Note 1)	–0.5 V to 7 V
Voltage range applied to any output in the high or power-off state, $V_O$	–0.5 V to 5.5 V
Current into any output in the low state, $I_O$	128 mA
Input clamp current, $I_{IK}$ ( $V_I < 0$ )	–18 mA
Output clamp current, $I_{OK}$ ( $V_O < 0$ )	–50 mA
Package thermal impedance, $\theta_{JA}$ (see Note 2): DGG package	70°C/W
DL package	63°C/W
Storage temperature range, $T_{stg}$	–65°C to 150°C

† Stresses beyond those listed under “absolute maximum ratings” may cause permanent damage to the device. These are stress ratings only, and functional operation of the device at these or any other conditions beyond those indicated under “recommended operating conditions” is not implied. Exposure to absolute-maximum-rated conditions for extended periods may affect device reliability.

- NOTES: 1. The input and output negative-voltage ratings may be exceeded if the input and output clamp-current ratings are observed.  
2. The package thermal impedance is calculated in accordance with JESD 51-7.

### recommended operating conditions (see Note 3)

		MIN	NOM	MAX	UNIT
$V_{CC}$ , $V_{CCBIAS}$	Supply voltage	4.5	5	5.5	V
$V_{IH}$	High-level input voltage	$\overline{OE}$	2		V
		Except $\overline{OE}$	1.6		
$V_{IL}$	Low-level input voltage	$\overline{OE}$		0.8	V
		Except $\overline{OE}$		1.4	
$V_{OH}$	High-level output voltage	1A–8A	0	5.5	V
$V_I$	Input voltage	0		$V_{CC}$	V
$I_{OH}$	High-level output current	B bus		–12	mA
		9A–11A		–64	
$I_{OL}$	Low-level output current	B bus		12	mA
		A bus		90	
$\Delta t/\Delta v$	Input transition rise or fall rate	Outputs enabled		10	ns/V
$T_A$	Operating free-air temperature	–40		85	°C

NOTE 3: All unused control inputs of the device must be held at  $V_{CC}$  or GND to ensure proper device operation. Refer to the TI application report, *Implications of Slow or Floating CMOS Inputs*, literature number SCBA004.



**SN74ABTE16246**  
**11-BIT INCIDENT-WAVE SWITCHING BUS TRANSCEIVER**  
**WITH 3-STATE AND OPEN-COLLECTOR OUTPUTS**

SCBS227J – JULY 1993 – REVISED AUGUST 2003

**electrical characteristics over recommended operating free-air temperature range (unless otherwise noted)**

PARAMETER		TEST CONDITIONS		MIN	TYP†	MAX	UNIT	
$V_{IK}$		$V_{CC} = 4.5\text{ V}$ ,	$I_I = -18\text{ mA}$			-1.2	V	
$V_{OH}$	B port	$V_{CC} = 5.5\text{ V}$ ,	$I_{OH} = -100\text{ }\mu\text{A}$			$V_{CC}-0.2$	V	
		$V_{CC} = 4.5\text{ V}$	$I_{OH} = -1\text{ mA}$	2.4				
			$I_{OH} = -12\text{ mA}$	2				
	9A–11A	$V_{CC} = 5.5\text{ V}$ ,	$I_{OH} = -1\text{ mA}$			4.5		
		$V_{CC} = 4.5\text{ V}$	$I_{OH} = -32\text{ mA}$	2.4				
			$I_{OH} = -64\text{ mA}$	2				
$I_{OH}$	1A–8A	$V_{CC} = 4.5\text{ V}$ ,	$V_{OH} = 5.5\text{ V}$			20	$\mu\text{A}$	
$V_{OL}$	B port	$V_{CC} = 4.5\text{ V}$	$I_{OL} = 1\text{ mA}$			0.4	V	
			$I_{OL} = 12\text{ mA}$			0.8		
	A port	$V_{CC} = 4.5\text{ V}$	$I_{OL} = 64\text{ mA}$			0.55		
			$I_{OL} = 90\text{ mA}$			0.9		
$V_{hys}$					100		mV	
$I_{I(\text{hold})}$	B port	$V_{CC} = 4.5\text{ V}$	$V_I = 0.8\text{ V}$	100			$\mu\text{A}$	
			$V_I = 2\text{ V}$	-100				
		$V_{CC} = 5.5\text{ V}$ ,	$V_I = 0\text{ to }5.5\text{ V}$			$\pm 500$		
$I_I$	Control inputs	$V_{CC} = 5.5\text{ V}$	$V_I = V_{CC}\text{ or GND}$			$\pm 1$	$\mu\text{A}$	
	A or B ports	$V_{CC} = 5.5\text{ V}$ , $\overline{OE} = V_{CC}$		$\pm 20$				
$I_{OZH}^\ddagger$	9A–11A	$V_{CC} = 5.5\text{ V}$ ,	$V_O = 2.7\text{ V}$			10	$\mu\text{A}$	
$I_{OZL}^\ddagger$	9A–11A	$V_{CC} = 5.5\text{ V}$ ,	$V_O = 0.5\text{ V}$			-10	$\mu\text{A}$	
$I_O$	A port	$V_{CC} = 5.5\text{ V}$ ,	$V_O = 2.5\text{ V}$			-50	mA	
	B port					-25		-90
$I_{off}$		$V_{CC} = 0$ , $V_I$ or $V_O \leq 4.5\text{ V}$ ,	$V_{CCBIAS} = 0$			$\pm 100$	$\mu\text{A}$	
$I_{CC}$	A or B ports	$V_{CC} = 5.5\text{ V}$ , $I_O = 0$ , $V_I = V_{CC}\text{ or GND}$	Outputs high	28	36		mA	
			Outputs low	38	48			
			Outputs disabled	20	32			
$I_{CCD}$	A or B ports	$V_{CC} = 5\text{ V}$ , $C_L = 50\text{ pF}$	$\overline{OE}$ high	0.02			mA/ MHz	
			$\overline{OE}$ low	0.33				
$C_i$	Control inputs	$V_I = 2.5\text{ V or }0.5\text{ V}$			2.5	4	pF	
$C_{io}$	I/O ports	$V_O = 2.5\text{ V or }0.5\text{ V}$			4.5	8	pF	

† All typical values are at  $V_{CC} = 5\text{ V}$ ,  $T_A = 25^\circ\text{C}$ .

‡ The parameters  $I_{OZH}$  and  $I_{OZL}$  include the input leakage current.

# SN74ABTE16246

## 11-BIT INCIDENT-WAVE SWITCHING BUS TRANSCEIVER WITH 3-STATE AND OPEN-COLLECTOR OUTPUTS

SCBS227J – JULY 1993 – REVISED AUGUST 2003

### live-insertion specifications over recommended operating free-air temperature range

PARAMETER		TEST CONDITIONS			MIN	TYP†	MAX	UNIT	
I <sub>CC</sub> (V <sub>CC</sub> BIAS)		V <sub>CC</sub> = 0 to 4.5 V,	V <sub>CC</sub> BIAS = 4.5 V to 5.5 V,	I <sub>O</sub> (DC) = 0	250	700	μA		
		V <sub>CC</sub> = 4.5 V to 5.5 V‡,	V <sub>CC</sub> BIAS = 4.5 V to 5.5 V,	I <sub>O</sub> (DC) = 0	20				
V <sub>O</sub>	A port	V <sub>CC</sub> = 0	V <sub>CC</sub> BIAS = 4.5 V to 5.5 V			1.1	1.5	1.9	V
			V <sub>CC</sub> BIAS = 4.75 V to 5.25 V			1.3	1.5	1.7	
I <sub>O</sub>	A port	V <sub>CC</sub> = 0,	V <sub>CC</sub> BIAS = 4.5 V	V <sub>O</sub> = 0	-20	-100	μA		
				V <sub>O</sub> = 3 V	20	100			

† All typical values are at V<sub>CC</sub> = 5 V, T<sub>A</sub> = 25°C.

‡ V<sub>CC</sub> – 0.5 V < V<sub>CC</sub>BIAS

### switching characteristics over recommended ranges of supply voltage and operating free-air temperature, C<sub>L</sub> = 50 pF (unless otherwise noted) (see Figure 2)

PARAMETER	FROM (INPUT)	TO (OUTPUT)	V <sub>CC</sub> = 5 V, T <sub>A</sub> = 25°C			MIN	MAX	UNIT
			MIN	TYP	MAX			
t <sub>PLH</sub>	A	B	1.5	3.1	4.2	1.5	5.2	ns
t <sub>PHL</sub>			1.5	3.5	4.6	1.5	5.2	
t <sub>PLH</sub>	9B–11B	9A–11A	1.5	3	3.8	1.5	4.5	ns
t <sub>PHL</sub>			1.5	3.2	4	1.5	4.5	
t <sub>PLH</sub> §	1B–8B	1A–8A	1.5	3.2	4	1.5	4.5	ns
t <sub>PLH</sub> ¶			7.5	8.9	9.7	7.5	10.3	
t <sub>PHL</sub>			1.5	3.2	4	1.5	4.5	
t <sub>PZH</sub>	OE	9A–11A	2	4.3	5.3	2	6.2	ns
t <sub>PZL</sub>		1A–11A	2	4.4	5.4	2	6.8	
t <sub>PZH</sub>	OE	B	2	4.3	6	2	7.1	ns
t <sub>PZL</sub>			2	4.5	6.4	2	7.3	
t <sub>PHZ</sub>	OE	9A–11A	2	4.2	5.9	2	6.7	ns
t <sub>PLZ</sub>		1A–11A	2	3.5	4.6	2	5.1	
t <sub>PHZ</sub>	OE	B	2.5	4.3	6.2	2.5	7	ns
t <sub>PLZ</sub>			2	3.6	5	2	5.5	

§ Measurement point is V<sub>OL</sub> + 0.3 V.

¶ Measurement point is V<sub>OL</sub> + 1.5 V.



**SN74ABTE16246**  
**11-BIT INCIDENT-WAVE SWITCHING BUS TRANSCEIVER**  
**WITH 3-STATE AND OPEN-COLLECTOR OUTPUTS**

SCBS227J – JULY 1993 – REVISED AUGUST 2003

**extended switching characteristics over recommended ranges of supply voltage and operating free-air temperature,  $C_L = 50$  pF (unless otherwise noted) (see Figure 2)**

PARAMETER	FROM (INPUT)	TO (OUTPUT)	LOAD	$V_{CC} = 5$ V, $T_A = 25^\circ$ C			MIN	MAX	UNIT
				MIN	TYP	MAX			
$t_{PLH}$	9B–11B	9A–11A	$R_X = 13 \Omega$	1.5	3.2	4	1.5	4.8	ns
$t_{PHL}$				1.5	3.8	4.7	1.5	5.6	
$t_{PHL}$	1B–8B	1A–8A	$R_X = 13 \Omega$	1.5	3.3	4.2	1.5	4.8	ns
$t_{PLH}$	9B–11B	9A–11A	$R_X = 26 \Omega$	1.5	3.1	4	1.5	4.6	ns
$t_{PHL}$				1.5	3.5	4.4	1.5	4.9	
$t_{PHL}$	1B–8B	1A–8A	$R_X = 26 \Omega$	1.5	3.1	4	1.5	4.4	ns
$t_{PLH}$	9B–11B	1A–8A	$R_X = 56 \Omega$	1.5	3	3.8	1.5	4.5	ns
$t_{PHL}$				1.5	3.3	4.2	1.5	4.7	
$t_{PHL}$	1B–8B	1A–8A	$R_X = 56 \Omega$	1.5	3	4	1.5	4.4	ns
$t_{sk(p)}$	B	A	$R_X = \text{Open}$	0.1	0.6		2	ns	
	A	B	$R_X = \text{Open}$	0.4	0.8		2		
	B	A	$R_X = 26 \Omega$	0.3	0.8		2		
$t_{sk(o)}$	B	A	$R_X = \text{Open}$	0.3	0.7		1.3	ns	
	A	B	$R_X = \text{Open}$	0.7	1.1		1.3		
	B	A	$R_X = 26 \Omega$	0.5	1		1.3		
$t_t^\dagger$	B	A	$R_X = 26 \Omega$	0.5	0.8	1.5	0.5	1.5	ns
$t_t^\ddagger$	A	B	$R_X = \text{Open}$	3.5	5.5	7.3	3.5	7.9	ns

$^\dagger t_t$  is measured between 1 V and 2 V of the output waveform.

$^\ddagger t_t$  is measured between 10% and 90% of the output waveform.

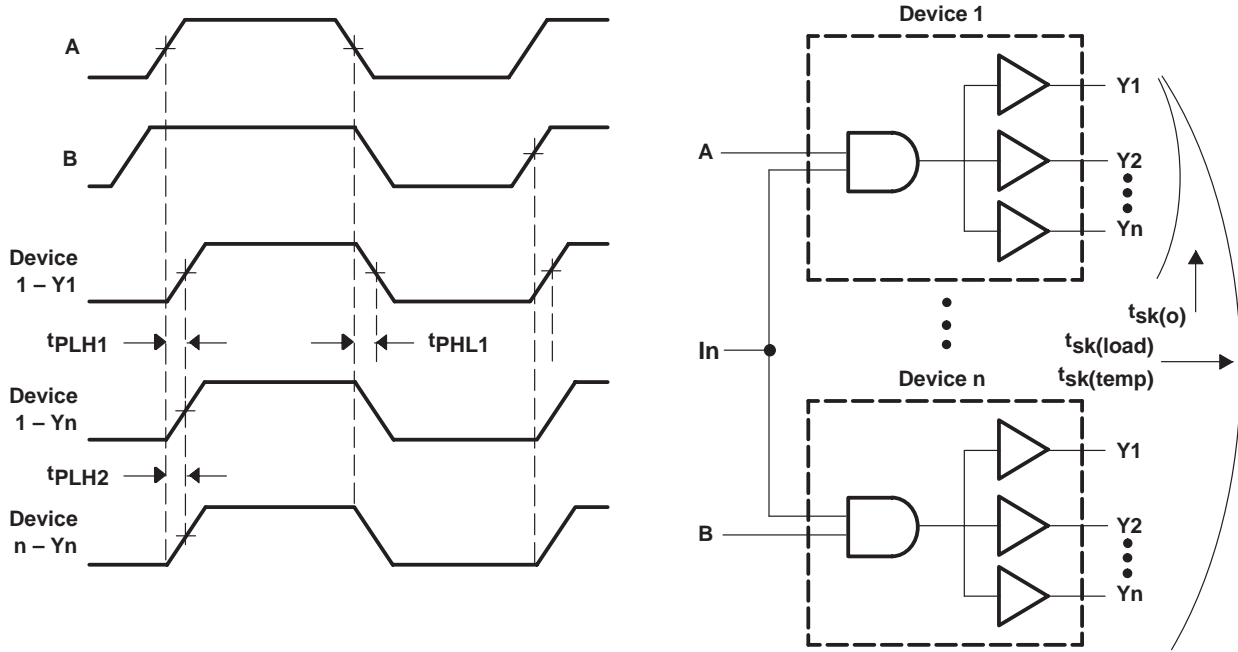
**extended output characteristics over recommended ranges of supply voltage and operating free-air temperature,  $C_L = 50$  pF (see Figures 1 and 2)**

PARAMETER	FROM (INPUT)	TO (OUTPUT)	TEST CONDITIONS	LOAD	MIN	MAX	UNIT
$t_{sk(temp)}$	A	B	$V_{CC} = \text{constant},$ $\Delta T_A = 20^\circ$ C			2.5	ns
	B	A		$R_X = 56 \Omega$		4	
$t_{sk(load)}$	B	A	$V_{CC} = \text{constant},$ Temperature = constant	$R_X = 13, 26, \text{ or } 56 \Omega$		4	ns

**SN74ABTE16246**  
**11-BIT INCIDENT-WAVE SWITCHING BUS TRANSCEIVER**  
**WITH 3-STATE AND OPEN-COLLECTOR OUTPUTS**

SCBS227J – JULY 1993 – REVISED AUGUST 2003

**PARAMETER MEASUREMENT INFORMATION**



- NOTES: A. Pulse skew,  $t_{sk(p)}$ , is defined as the difference in propagation-delay times  $t_{PLH1}$  and  $t_{PHL1}$  on the same terminal at identical operating conditions.
- B. Output skew,  $t_{sk(o)}$ , is defined as the difference in propagation delay of any two outputs of the same device switching in the same direction (e.g.,  $|t_{PLH1} - t_{PLH2}|$ ).
- C. Temperature skew,  $t_{sk(temp)}$ , is the output skew of two devices, both having the same value of  $V_{CC} \pm 1\%$  and with package temperature differences of  $20^{\circ}\text{C}$ .
- D. Load skew,  $t_{sk(load)}$ , is measured with  $R_X$  in Figure 2 at  $13\ \Omega$  for one unit and  $56\ \Omega$  for the other unit.

**Figure 1. Voltage Waveforms for Extended Characteristics**

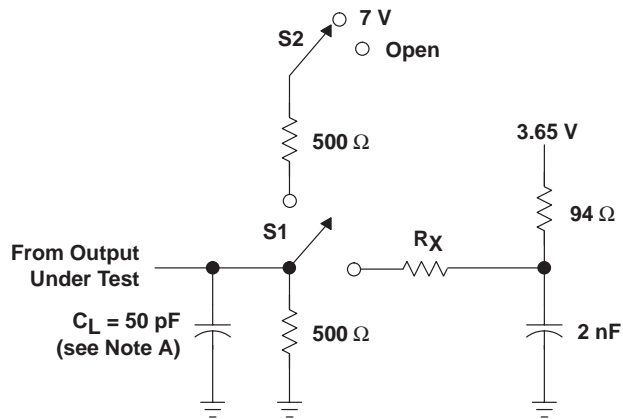


# SN74ABTE16246

## 11-BIT INCIDENT-WAVE SWITCHING BUS TRANSCEIVER WITH 3-STATE AND OPEN-COLLECTOR OUTPUTS

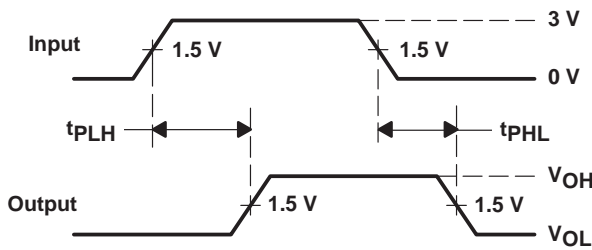
SCBS227J – JULY 1993 – REVISED AUGUST 2003

### PARAMETER MEASUREMENT INFORMATION

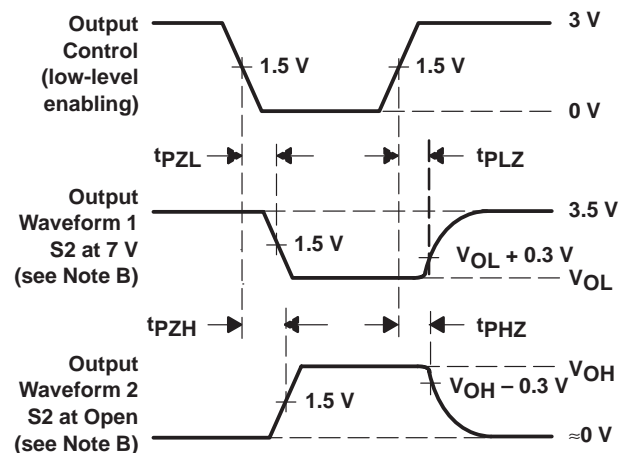


$R_X = 13, 26, \text{ or } 56 \Omega$

**LOAD CIRCUIT**



**VOLTAGE WAVEFORMS  
PROPAGATION DELAY TIMES**



**VOLTAGE WAVEFORMS  
ENABLE AND DISABLE TIMES**

SWITCHING TABLE LOADS	S1	S2
$t_{PLH}/t_{PHL}$ (9A–11A and B port)	Up	Open
$t_{PLH}/t_{PHL}$ (1A–8A)	Up	7 V
$t_{PLZ}/t_{PZL}$	Up	7 V
$t_{PHZ}/t_{PZH}$ (except 1A–8A)	Up	Open

EXTENDED SWITCHING TABLE LOADS	S1	S2
$t_{PLH}/t_{PHL}/t_{sk}$ (A port)	Down	X
$t_{PLH}/t_{PHL}/t_{sk}$ (B port)	Up	Open
$t_t$ (A port) (see Note E)	Down	X
$t_t$ (B port) (see Note F)	Up	Open

- NOTES:
- A.  $C_L$  includes probe and jig capacitance.
  - B. Waveform 1 is for an output with internal conditions such that the output is low except when disabled by the output control. Waveform 2 is for an output with internal conditions such that the output is high except when disabled by the output control.
  - C. All input pulses are supplied by generators having the following characteristics:  $PRR \leq 10 \text{ MHz}$ ,  $Z_O = 50 \Omega$ ,  $t_r \leq 2.5 \text{ ns}$ ,  $t_f \leq 2.5 \text{ ns}$ .
  - D. The outputs are measured one at a time with one transition per measurement.
  - E.  $t_t$  is measured between 1 V and 2 V of the output waveform.
  - F.  $t_t$  is measured between 10% and 90% of the output waveform.

**Figure 2. Load Circuit and Voltage Waveforms**

**PACKAGING INFORMATION**

Orderable part number	Status (1)	Material type (2)	Package   Pins	Package qty   Carrier	RoHS (3)	Lead finish/ Ball material (4)	MSL rating/ Peak reflow (5)	Op temp (°C)	Part marking (6)
74ABTE16246DGGRG4	Active	Production	TSSOP (DGG)   48	2000   LARGE T&R	Yes	NIPDAU	Level-1-260C-UNLIM	-40 to 85	ABTE16246
74ABTE16246DGGRG4.B	Active	Production	TSSOP (DGG)   48	2000   LARGE T&R	Yes	NIPDAU	Level-1-260C-UNLIM	-40 to 85	ABTE16246
<a href="#">SN74ABTE16246DGGR</a>	Active	Production	TSSOP (DGG)   48	2000   LARGE T&R	Yes	NIPDAU	Level-1-260C-UNLIM	-40 to 85	ABTE16246
SN74ABTE16246DGGR.B	Active	Production	TSSOP (DGG)   48	2000   LARGE T&R	Yes	NIPDAU	Level-1-260C-UNLIM	-40 to 85	ABTE16246
<a href="#">SN74ABTE16246DL</a>	Active	Production	SSOP (DL)   48	25   TUBE	Yes	NIPDAU	Level-1-260C-UNLIM	-40 to 85	ABTE16246
SN74ABTE16246DL.B	Active	Production	SSOP (DL)   48	25   TUBE	Yes	NIPDAU	Level-1-260C-UNLIM	-40 to 85	ABTE16246
<a href="#">SN74ABTE16246DLR</a>	Active	Production	SSOP (DL)   48	1000   LARGE T&R	Yes	NIPDAU	Level-1-260C-UNLIM	-40 to 85	ABTE16246
SN74ABTE16246DLR.B	Active	Production	SSOP (DL)   48	1000   LARGE T&R	Yes	NIPDAU	Level-1-260C-UNLIM	-40 to 85	ABTE16246

(1) **Status:** For more details on status, see our [product life cycle](#).

(2) **Material type:** When designated, preproduction parts are prototypes/experimental devices, and are not yet approved or released for full production. Testing and final process, including without limitation quality assurance, reliability performance testing, and/or process qualification, may not yet be complete, and this item is subject to further changes or possible discontinuation. If available for ordering, purchases will be subject to an additional waiver at checkout, and are intended for early internal evaluation purposes only. These items are sold without warranties of any kind.

(3) **RoHS values:** Yes, No, RoHS Exempt. See the [TI RoHS Statement](#) for additional information and value definition.

(4) **Lead finish/Ball material:** Parts may have multiple material finish options. Finish options are separated by a vertical ruled line. Lead finish/Ball material values may wrap to two lines if the finish value exceeds the maximum column width.

(5) **MSL rating/Peak reflow:** The moisture sensitivity level ratings and peak solder (reflow) temperatures. In the event that a part has multiple moisture sensitivity ratings, only the lowest level per JEDEC standards is shown. Refer to the shipping label for the actual reflow temperature that will be used to mount the part to the printed circuit board.

(6) **Part marking:** There may be an additional marking, which relates to the logo, the lot trace code information, or the environmental category of the part.

Multiple part markings will be inside parentheses. Only one part marking contained in parentheses and separated by a "-" will appear on a part. If a line is indented then it is a continuation of the previous line and the two combined represent the entire part marking for that device.

**Important Information and Disclaimer:**The information provided on this page represents TI's knowledge and belief as of the date that it is provided. TI bases its knowledge and belief on information provided by third parties, and makes no representation or warranty as to the accuracy of such information. Efforts are underway to better integrate information from third parties. TI has taken and continues to take reasonable steps to provide representative and accurate information but may not have conducted destructive testing or chemical analysis on incoming materials and chemicals. TI and TI suppliers consider certain information to be proprietary, and thus CAS numbers and other limited information may not be available for release.

In no event shall TI's liability arising out of such information exceed the total purchase price of the TI part(s) at issue in this document sold by TI to Customer on an annual basis.

**TAPE AND REEL INFORMATION**

**QUADRANT ASSIGNMENTS FOR PIN 1 ORIENTATION IN TAPE**


\*All dimensions are nominal

Device	Package Type	Package Drawing	Pins	SPQ	Reel Diameter (mm)	Reel Width W1 (mm)	A0 (mm)	B0 (mm)	K0 (mm)	P1 (mm)	W (mm)	Pin1 Quadrant
74ABTE16246DGGRG4	TSSOP	DGG	48	2000	330.0	24.4	8.6	13.0	1.8	12.0	24.0	Q1
SN74ABTE16246DGGR	TSSOP	DGG	48	2000	330.0	24.4	8.6	13.0	1.8	12.0	24.0	Q1
SN74ABTE16246DLR	SSOP	DL	48	1000	330.0	32.4	11.35	16.2	3.1	16.0	32.0	Q1

**TAPE AND REEL BOX DIMENSIONS**


\*All dimensions are nominal

Device	Package Type	Package Drawing	Pins	SPQ	Length (mm)	Width (mm)	Height (mm)
74ABTE16246DGGRG4	TSSOP	DGG	48	2000	356.0	356.0	45.0
SN74ABTE16246DGGR	TSSOP	DGG	48	2000	356.0	356.0	45.0
SN74ABTE16246DLR	SSOP	DL	48	1000	356.0	356.0	53.0

**TUBE**


\*All dimensions are nominal

Device	Package Name	Package Type	Pins	SPQ	L (mm)	W (mm)	T (μm)	B (mm)
SN74ABTE16246DL	DL	SSOP	48	25	473.7	14.24	5110	7.87
SN74ABTE16246DL.B	DL	SSOP	48	25	473.7	14.24	5110	7.87



# EXAMPLE BOARD LAYOUT

DGG0048A

TSSOP - 1.2 mm max height

SMALL OUTLINE PACKAGE



LAND PATTERN EXAMPLE  
SCALE:6X



SOLDER MASK DETAILS

4214859/B 11/2020

NOTES: (continued)

- 5. Publication IPC-7351 may have alternate designs.
- 6. Solder mask tolerances between and around signal pads can vary based on board fabrication site.



# EXAMPLE STENCIL DESIGN

DGG0048A

TSSOP - 1.2 mm max height

SMALL OUTLINE PACKAGE



SOLDER PASTE EXAMPLE  
BASED ON 0.125 mm THICK STENCIL  
SCALE:6X

4214859/B 11/2020

NOTES: (continued)

7. Laser cutting apertures with trapezoidal walls and rounded corners may offer better paste release. IPC-7525 may have alternate design recommendations.
8. Board assembly site may have different recommendations for stencil design.

DGG (R-PDSO-G\*\*)

PLASTIC SMALL-OUTLINE PACKAGE

48 PINS SHOWN



- NOTES: A. All linear dimensions are in millimeters.  
 B. This drawing is subject to change without notice.  
 C. Body dimensions do not include mold protrusion not to exceed 0,15.  
 D. Falls within JEDEC MO-153



## IMPORTANT NOTICE AND DISCLAIMER

TI PROVIDES TECHNICAL AND RELIABILITY DATA (INCLUDING DATASHEETS), DESIGN RESOURCES (INCLUDING REFERENCE DESIGNS), APPLICATION OR OTHER DESIGN ADVICE, WEB TOOLS, SAFETY INFORMATION, AND OTHER RESOURCES "AS IS" AND WITH ALL FAULTS, AND DISCLAIMS ALL WARRANTIES, EXPRESS AND IMPLIED, INCLUDING WITHOUT LIMITATION ANY IMPLIED WARRANTIES OF MERCHANTABILITY, FITNESS FOR A PARTICULAR PURPOSE OR NON-INFRINGEMENT OF THIRD PARTY INTELLECTUAL PROPERTY RIGHTS.

These resources are intended for skilled developers designing with TI products. You are solely responsible for (1) selecting the appropriate TI products for your application, (2) designing, validating and testing your application, and (3) ensuring your application meets applicable standards, and any other safety, security, regulatory or other requirements.

These resources are subject to change without notice. TI grants you permission to use these resources only for development of an application that uses the TI products described in the resource. Other reproduction and display of these resources is prohibited. No license is granted to any other TI intellectual property right or to any third party intellectual property right. TI disclaims responsibility for, and you fully indemnify TI and its representatives against any claims, damages, costs, losses, and liabilities arising out of your use of these resources.

TI's products are provided subject to [TI's Terms of Sale](#), [TI's General Quality Guidelines](#), or other applicable terms available either on [ti.com](#) or provided in conjunction with such TI products. TI's provision of these resources does not expand or otherwise alter TI's applicable warranties or warranty disclaimers for TI products. Unless TI explicitly designates a product as custom or customer-specified, TI products are standard, catalog, general purpose devices.

TI objects to and rejects any additional or different terms you may propose.

Copyright © 2025, Texas Instruments Incorporated

Last updated 10/2025