

## 适用于隔离电源的 SN6505x 低噪声 1A 变压器驱动器

### 1 特性

- 用于变压器的推挽式驱动器
- 宽输入电压范围：2.25V 至 5.5V
- 高输出驱动：5V 电源下为 1A
- 低  $R_{ON}$ ，4.5V 电源时的最大值为  $0.25\ \Omega$
- 超低 EMI
- 扩频时钟
- 精密内部振荡器选项：160kHz (SN6505A) 和 420kHz (SN6505B)
- 通过外部时钟输入同步多个器件
- 转换率控制
- 1.7A 限流
- 低关断电流： $< 1\ \mu\text{A}$
- 热关断
- 宽温度范围： $-55^\circ\text{C}$  至  $125^\circ\text{C}$
- 小型 6 引脚 SOT23 (DBV) 封装
- 支持软启动，可减小浪涌电流

### 2 应用

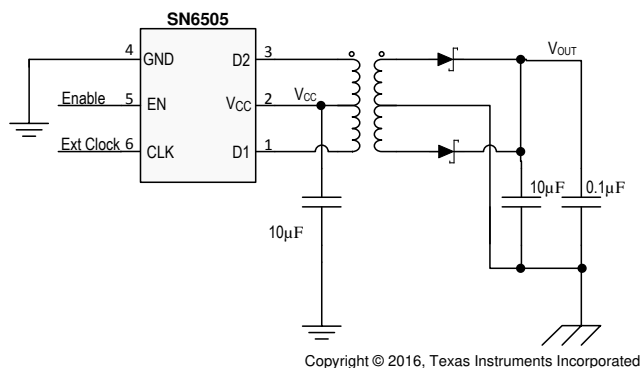
- 用于控制器局域网 (CAN)、RS-485、RS-422、RS-232、串行外设接口 (SPI)、I2C、低功耗局域网 (LAN) 的隔离电源
- 低噪声隔离式 USB 电源
- 过程控制
- 电信电源
- 无线电电源
- 分布式电源
- 医疗仪器
- 精密仪器
- 低噪声灯丝电源

### 3 说明

SN6505x 是一款低噪声、低 EMI 的推挽式变压器驱动器，专为小型隔离式电源而设计。该器件通过 2.25V 至 5V 的直流电源来驱动薄型、中间抽头的变压器。通过输出开关电压的转换速率控制和扩频时钟 (SSC) 可实现超低噪声和 EMI。SN6505x 包含一个振荡器，然后是一个栅极驱动器电路，此电路提供补偿输出信号以驱动接地参考 N 通道电源开关。该器件包含两个 1A 电源 MOSFET 开关，以确保在重负载条件下正常启动。开关时钟也可由外部提供，以准确放置开关谐波或者在与多个变压器驱动器搭配工作时。内部保护特性包括 1.7A 限流、欠压锁定、热关断和先断后合电路。SN6505x 具有软启动功能，可防止大负载电容器在上电过程中出现高浪涌电流。SN6505A 有 160kHz 内部振荡器，适用于需要大幅降低辐射的应用；而 SN6505B 有 420kHz 内部振荡器，适用于需要更高效率和更小变压器尺寸的应用。SN6505x 采用小型 6 引脚 SOT23/DBV 封装。该器件的运行温度范围为  $-55^\circ\text{C}$  至  $125^\circ\text{C}$ 。

#### 器件信息

器件型号	封装	封装尺寸 (标称值)
SN6505A	SOT23 (6 引脚)	2.90mm × 1.60mm
SN6505B		



简化版原理图



## Table of Contents

1 特性.....	1	8.3 Feature Description.....	18
2 应用.....	1	8.4 Device Functional Modes.....	20
3 说明.....	1	<b>9 Application and Implementation.....</b>	<b>21</b>
<b>4 Revision History.....</b>	<b>2</b>	9.1 Application Information.....	21
<b>5 Pin Configuration and Functions.....</b>	<b>3</b>	9.2 Typical Application.....	22
<b>6 Specifications.....</b>	<b>4</b>	<b>10 Power Supply Recommendations.....</b>	<b>33</b>
6.1 Absolute Maximum Ratings.....	4	<b>11 Layout.....</b>	<b>34</b>
6.2 ESD Ratings.....	4	11.1 Layout Guidelines.....	34
6.3 Recommended Operating Conditions.....	4	11.2 Layout Example.....	34
6.4 Thermal Information.....	4	<b>12 Device and Documentation Support.....</b>	<b>35</b>
6.5 Electrical Characteristics.....	5	12.1 Device Support.....	35
6.6 Timing Requirements.....	6	12.2 Documentation Support.....	35
6.7 Typical Characteristics, SN6505A.....	7	12.3 Related Links.....	35
6.8 Typical Characteristics, SN6505B.....	9	12.4 Receiving Notification of Documentation Updates..	35
<b>7 Parameter Measurement Information.....</b>	<b>16</b>	12.5 Community Resources.....	35
<b>8 Detailed Description.....</b>	<b>18</b>	12.6 Trademarks.....	35
8.1 Overview.....	18	<b>13 Mechanical, Packaging, and Orderable</b>	
8.2 Functional Block Diagram.....	18	<b>Information.....</b>	<b>35</b>

## 4 Revision History

Changes from Revision H (July 2019) to Revision I (August 2023)	Page
• <a href="#">节 6.8</a> , added new graphs.....	9
• Added new transformers to <a href="#">表 9-3</a> .....	28
Changes from Revision G (November 2018) to Revision H (July 2019)	Page
• Added HCT-SM-1.3-8-2 transformer to <a href="#">表 9-3</a> .....	28
• Added EPC3668G-LF transformer to <a href="#">表 9-3</a> table.....	28
• Added DA2303-AL transformer to <a href="#">表 9-3</a> table.....	28
• Added DA2304-AL transformer to <a href="#">表 9-3</a> .....	28
Changes from Revision F (September 2016) to Revision G (November 2018)	Page
• 通篇进行了编辑更正和修改.....	1
• Added <a href="#">节 8.4.1.1</a> description in <a href="#">节 8.4</a> section.....	20
• Changed 3 V to 2.25 V in the description of <a href="#">节 9.2.2.1</a> section.....	22
• Changed Schottky diode RB168M-40 to RB168MM-40 in <a href="#">节 9.2.2.3</a> section.....	23
• Changed $f_{min}$ to 138 kHz for SN6505A and 363 kHz for SN6505B in <a href="#">节 9.2.2.5.1</a> section and updated <a href="#">方程式 4</a> .....	25
• Changed load current, $V_{DO-max}$ , $V_{O-max}$ , $R_{DS-max}$ and $I_{D-max}$ values and updated <a href="#">方程式 11</a> in <a href="#">节 9.2.2.5.2</a> Example.....	25
• Changed LDO from 'No' to 'Yes' for transformer ORDER NO. 750313638 and 750313626 in <a href="#">表 9-3</a> .....	28
• Updated <a href="#">图 9-9</a> .....	31
• Changed the <i>Electrostatic Discharge Caution</i> statement.....	35
Changes from Revision E (August 2016) to Revision F (September 2016)	Page
• Changed text From: "connected as possible" To: "connected as close as possible" in <a href="#">节 10</a> .....	33
Changes from Revision D (August 2016) to Revision E (August 2016)	Page
• Changed <a href="#">表 9-3</a> , and added Note 1.....	28

**Changes from Revision C (August 2016) to Revision D (August 2016) Page**

- 节 6.7, added 图 6-1 and 图 6-2 back into the datasheet ..... 7
- 节 6.7, added 图 6-9 to 图 6-47 back into the datasheet ..... 7
- 节 6.8, added 图 6-11 and 图 6-12 back into the data sheet ..... 9
- 节 6.8, added 图 6-45 and 图 6-46 back into the data sheet ..... 9
- Changed 表 9-3 ..... 28

**Changes from Revision B (February 2016) to Revision C (August 2016) Page**

- Changed the 节 6.7 section..... 7
- Added the 节 6.8 section..... 9
- Changed 表 9-3 ..... 28

**Changes from Revision A (October 2015) to Revision B (February 2016) Page**

- Changed the 节 6.4 table From: 16 Pin DW (SOIC) To: 6 Pin DBV (SOT-23) ..... 4

**Changes from Revision \* (September 2015) to Revision A (October 2015) Page**

- 量产版本..... 1

**5 Pin Configuration and Functions**

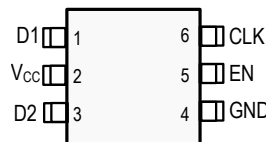


图 5-1. DBV Package SOT-23 (6 Pin) Top View

表 5-1. Pin Functions

PIN			DESCRIPTION
NAME	NO.	TYPE	
D1	1	O	Open drain output of the first power MOSFETs. Typically connected to the outer terminals of the center tap transformer. Because large currents flow through these pins, their external traces should be kept short.
V <sub>CC</sub>	2	P	This is the device supply pin. It should be bypassed with a 4.7 μF or greater, low ESR capacitor. When V <sub>CC</sub> ≤ 2.25 V, an internal undervoltage lockout circuit trips and turns both outputs off.
D2	3	O	Open drain output of the second power MOSFETs. Typically connected to the outer terminals of the center tap transformer. Because large currents flow through these pins, their external traces should be kept short.
GND	4	P	GND is connected to the source of the power MOSFET switches via an internal sense circuit. Because large currents flow through it, the GND terminals must be connected to a low-inductance quality ground plane.
EN	5	I	The EN pin turns the device on or off. Grounding or leaving this pin floating disables all internal circuitry. If unused this pin should be tied directly to V <sub>CC</sub> .
CLK	6	I	This pin is used to run the device with external clock. Internally it is pulled down to GND. If valid clock is not detected on this pin, the device shifts automatically to internal clock.

## 6 Specifications

### 6.1 Absolute Maximum Ratings

over operating free-air temperature range (unless otherwise noted)<sup>(1)</sup>. All typical values are at  $T_A = 25^\circ\text{C}$ ,  $V_{CC} = 5\text{ V}$ .

		MIN	MAX	UNIT
Supply voltage <sup>(2)</sup>	$V_{CC}$	- 0.5	6	V
Voltage	EN, CLK	- 0.5	$V_{CC} + 0.5$ <sup>(3)</sup>	
Output switch voltage	D1, D2		16	V
Peak output switch current	$I_{(D1)PK}$ , $I_{(D2)PK}$		2.4	A
Junction temperature, $T_J$		-55	150	$^\circ\text{C}$
Storage temperature range, $T_{stg}$		- 65	150	$^\circ\text{C}$

- (1) Stresses beyond those listed under Absolute Maximum Ratings cause permanent damage to the device. These are stress ratings only and functional operation of the device at these or any other conditions beyond those indicated under [# 6.3](#) is not implied. Exposure to absolute-maximum-rated conditions for extended periods affects device reliability.
- (2) All voltage values except differential I/O bus voltages are with respect to the local ground terminal (GND) and are peak voltage values.
- (3) Maximum voltage of 6V.

### 6.2 ESD Ratings

			VALUE	UNIT
$V_{(ESD)}$	Electrostatic discharge	Human body model (HBM), per ANSI/ESDA/JEDEC JS-001, all pins <sup>(1)</sup>	$\pm 6000$	V
		Charged device model (CDM), per JEDEC specification JESD22-C101, all pins <sup>(2)</sup>	$\pm 1500$	

- (1) JEDEC document JEP155 states that 500-V HBM allows safe manufacturing with a standard ESD control process.
- (2) JEDEC document JEP157 states that 250-V CDM allows safe manufacturing with a standard ESD control process.

### 6.3 Recommended Operating Conditions

		MIN	TYP	MAX	UNIT
$V_{CC}$	Supply voltage	2.25		5.5	V
$I_{D1}$ , $I_{D2}$	Output switch current - Primary side	2.25 V < $V_{CC}$ < 2.8 V		0.75	A
		2.8 V < $V_{CC}$ < 5.5 V		1	
$T_A$	Ambient temperature	- 55		125	$^\circ\text{C}$

### 6.4 Thermal Information

THERMAL METRIC <sup>(1)</sup>		SN6505	UNIT
		DBV (SOT-23)	
		6 PINS	
$R_{\theta JA}$	Junction-to-ambient thermal resistance	137.7	$^\circ\text{C/W}$
$R_{\theta JC(top)}$	Junction-to-case (top) thermal resistance	57.7	$^\circ\text{C/W}$
$R_{\theta JB}$	Junction-to-board thermal resistance	46.0	$^\circ\text{C/W}$
$\psi_{JT}$	Junction-to-top characterization parameter	13.4	$^\circ\text{C/W}$
$\psi_{JB}$	Junction-to-board characterization parameter	44.9	$^\circ\text{C/W}$
$R_{\theta JC(bottom)}$	Junction-to-case(bottom) thermal resistance	N/A	$^\circ\text{C/W}$

- (1) For more information about traditional and new thermal metrics, see the [Semiconductor and IC Package Thermal Metrics application report](#).

## 6.5 Electrical Characteristics

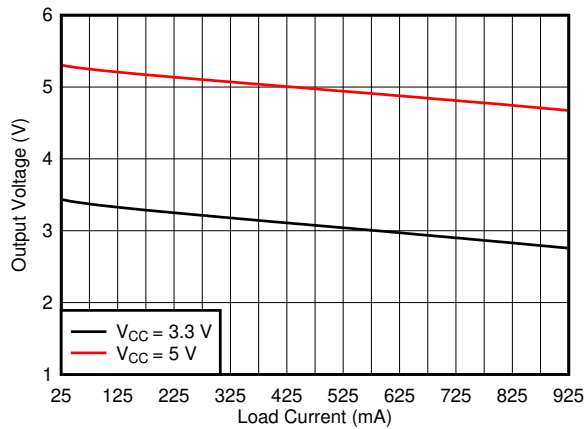
over full-range of recommended operating conditions, unless otherwise noted. All typical values are at  $T_A = 25^\circ\text{C}$ ,  $V_{CC} = 5\text{ V}$ .

PARAMETER		TEST CONDITIONS	MIN	TYP	MAX	UNIT
<b>VOLTAGE SUPPLY</b>						
$I_{(V_{CC})}$	Supply Current ( $2.8\text{ V} < V_{CC} < 5.5$ ) (SN6505A)	$R_L = 50\ \Omega$		1	1.4	mA
	Supply Current ( $2.8\text{ V} < V_{CC} < 5.5$ ) (SN6505B)	$R_L = 50\ \Omega$		1.56	2.3	mA
$I_{IH}$	Leakage Current on EN and CLK pin	$EN / CLK = V_{CC}$		10	20	$\mu\text{A}$
$I_{DIS}$	$V_{CC}$ current for EN = 0			0.1		$\mu\text{A}$
$I_{LKG(D1)}$ $I_{LKG(D2)}$	Leakage Current on D1, D2 for EN=0	Voltage of D1, D2 = $V_{CC}$		0.1		$\mu\text{A}$
$V_{CC+ (UVLO)}$	Positive-going UVLO threshold				2.25	V
$V_{CC- (UVLO)}$	Negative-going UVLO threshold		1.7			V
$V_{HYS (UVLO1)}$	UVLO threshold hysteresis			0.3		V
$V_{IN(ON)}$	EN, CLK pin logic high threshold				0.7	$V_{CC}$
$V_{IN(OFF)}$	EN, CLK pin logic low threshold		0.3			$V_{CC}$
$V_{IN(HYS)}$	EN, CLK pin threshold hysteresis			0.2		$V_{CC}$
<b>CLK</b>						
$F_{SW}$	D1, D2 average switching Frequency (SN6505A)	$R_L = 50\ \Omega$ to $V_{CC}$ ; Refer to <a href="#">图 7-3</a>	138	160	203	Khz
	D1, D2 average switching Frequency (SN6505B)	$R_L = 50\ \Omega$ to $V_{CC}$ ; Refer to <a href="#">图 7-3</a> .	363	424	517	kHz
$F_{(EXT)}$	External clock frequency on CLK pin (SN6505A)		100		600	kHz
	External clock frequency on CLK pin (SN6505B)		100		1600	kHz
<b>OUTPUT STAGE</b>						
DMM	Average ON time mismatch between D1 and D2	$R_L = 50\ \Omega$		0%		
$R_{(ON)}$	Output switch on resistance	$V_{CC} = 4.5\text{ V}$ , ID1, ID2 = 1 A		0.16	0.25	$\Omega$
		$V_{CC} = 2.8\text{ V}$ , ID1, ID2 = 1 A		0.19	0.31	$\Omega$
		$V_{CC} = 2.25\text{ V}$ , ID1, ID2 = 0.5 A		0.21	0.45	$\Omega$
$V_{(SLEW)}$	Voltage slew rates on D1 and D2 for SN6505A	$R_L = 50\ \Omega$ to $V_{CC}$ ; Refer to <a href="#">图 7-3</a>		48		V/ $\mu\text{s}$
$I_{(SLEW)}$	Current slew rates at D1 and D2 for SN6505A	$R_L = 5\ \Omega$ through transformer; Refer to <a href="#">图 7-4</a>		11		A/ $\mu\text{s}$
$V_{(SLEWHF)}$	Voltage slew rates on D1 and D2 for SN6505B	$R_L = 50\ \Omega$ to $V_{CC}$ ; Refer to <a href="#">图 7-3</a>		152		V/ $\mu\text{s}$
$I_{(SLEWHF)}$	Current slew rates at D1 and D2 for SN6505B	$R_L = 5\ \Omega$ through transformer; Refer to <a href="#">图 7-4</a>		41		A/ $\mu\text{s}$
$I_{LIM}$	Current clamp limit ( $2.8\text{ V} < V_{CC} < 5.5\text{ V}$ )		1.42	1.75	2.15	A
	Current clamp limit ( $2.25\text{ V} < V_{CC} < 2.8\text{ V}$ )		0.65		1.85	A
<b>THERMAL SHUT DOWN</b>						
$T_{SD+}$	$T_{SD}$ turn on temperature		154	168	181	$^\circ\text{C}$
$T_{SD-}$	$T_{SD}$ turn off temperature		135	150	166	$^\circ\text{C}$
$T_{SD-}$	$T_{SD}$ hysteresis		13	17		$^\circ\text{C}$

## 6.6 Timing Requirements

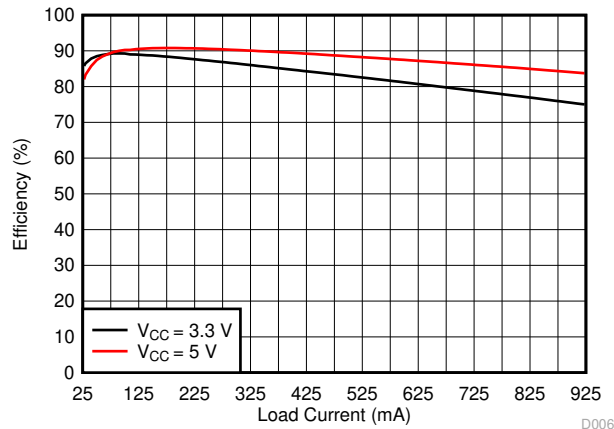
			MIN	NOM	MAX	UNIT
<b>CLK</b>						
$t_{\text{CLKTIMER}}$	Duration after which device switches to internal clock in case of invalid external clock		10		25	$\mu\text{s}$
<b>OUTPUT STAGE</b>						
$t_{\text{BBM}}$	Break-before-make time (SN6505A)	Measured as voltage with $R_L = 50 \Omega$ to $V_{\text{CC}}$ , Refer to <a href="#">图 7-3</a>		115		ns
	Break-before-make time (SN6505B)	Measured as voltage with $R_L = 50 \Omega$ to $V_{\text{CC}}$ , Refer to <a href="#">图 7-3</a>		90		ns
<b>SOFT-START</b>						
$t_{\text{SS}}$	Soft-start time	10% to 90% transition time on $V_{\text{OUT}}$ With transformer $C_{\text{LOAD}} = 40 \mu\text{F}$ $R_L = 5 \Omega$	1	4.25	8	ms
$t_{\text{SSdelay}}$	Soft-start time delay	From power up to 90% transition time on $V_{\text{OUT}}$ With transformer $C_{\text{LOAD}} = 40 \mu\text{F}$ $R_L = 5 \Omega$	3.5	8.5	18	ms

## 6.7 Typical Characteristics, SN6505A



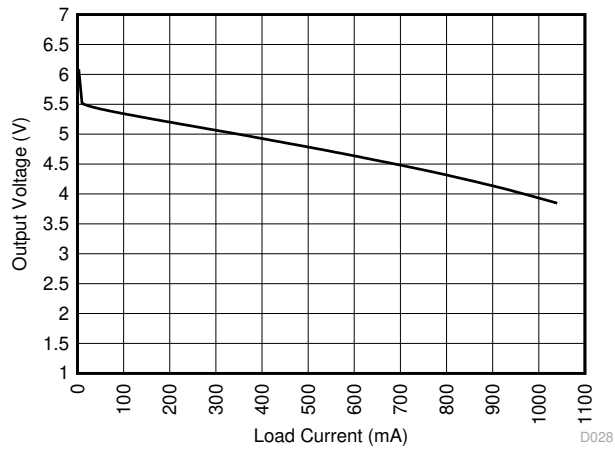
SN6505A + Würth 750315240

图 6-1. Output Voltage vs Load Current



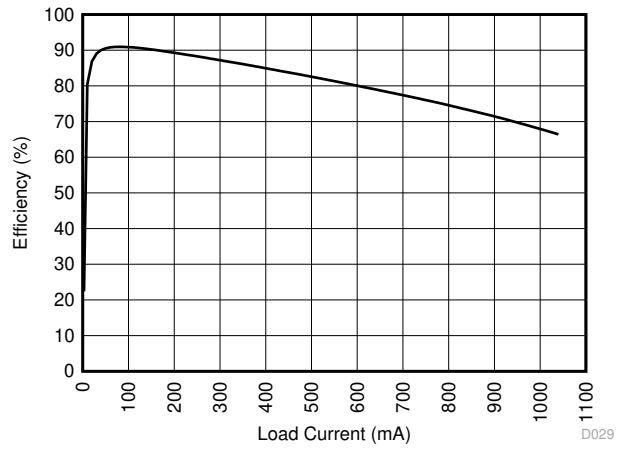
SN6505A + Würth 750315240

图 6-2. Efficiency vs Load Current



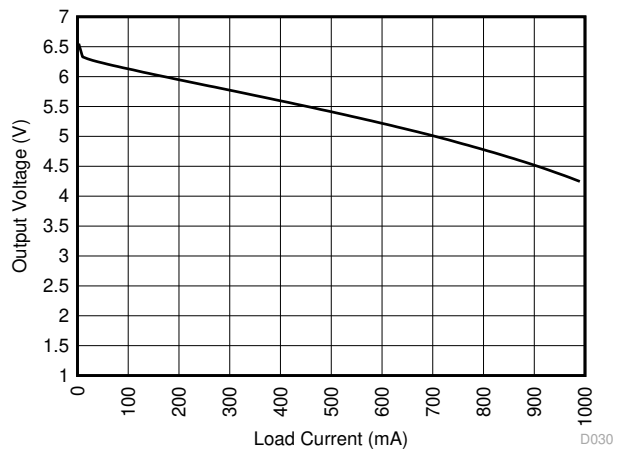
SN6505A + Würth 750316031 V<sub>CC</sub> = 3.3 V

图 6-3. Output Voltage vs Load Current



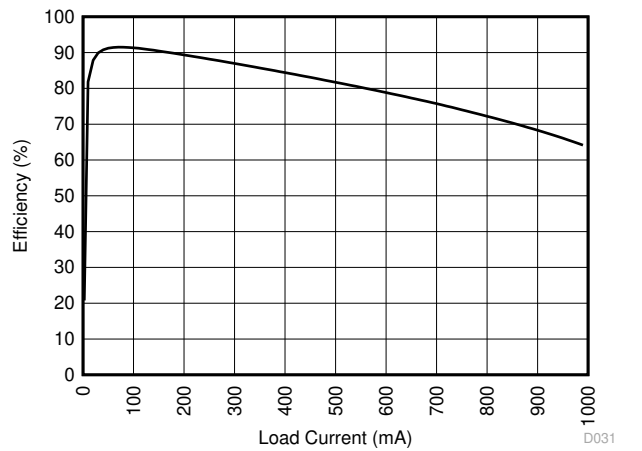
SN6505A + Würth 750316031 V<sub>CC</sub> = 3.3 V

图 6-4. Efficiency vs Load Current



SN6505A + Würth 750316032 V<sub>CC</sub> = 3.3 V

图 6-5. Output Voltage vs Load Current



SN6505A + Würth 750316032 V<sub>CC</sub> = 3.3 V

图 6-6. Efficiency vs Load Current

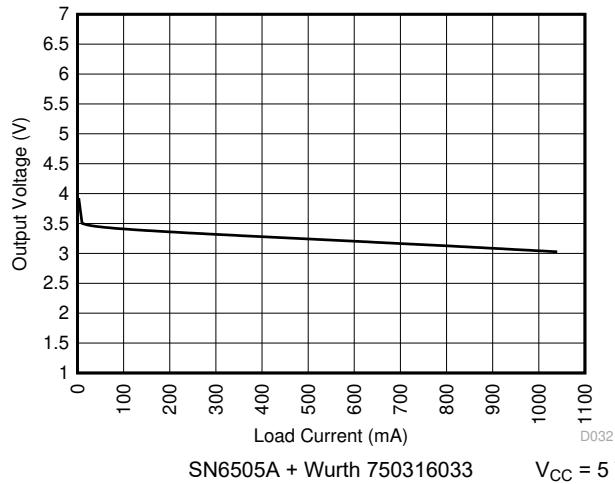


图 6-7. Output Voltage vs Load Current

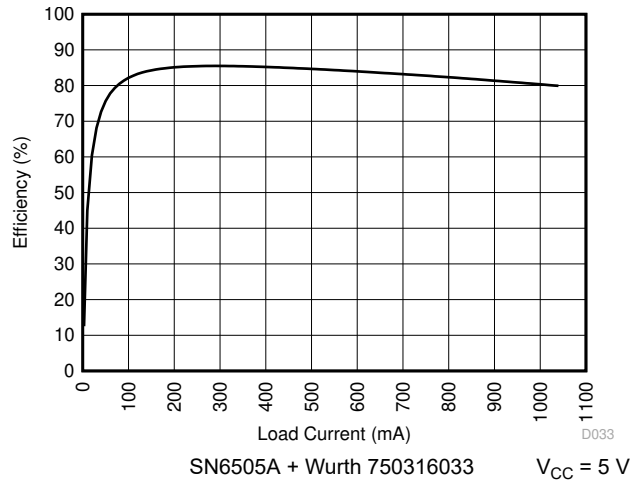


图 6-8. Efficiency vs Load Current

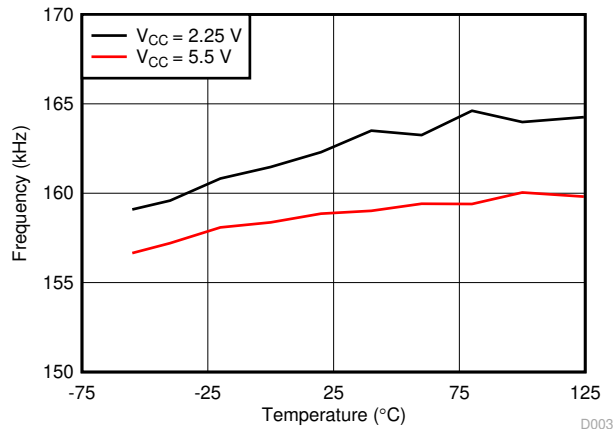


图 6-9. Frequency vs Free-Air Temperature

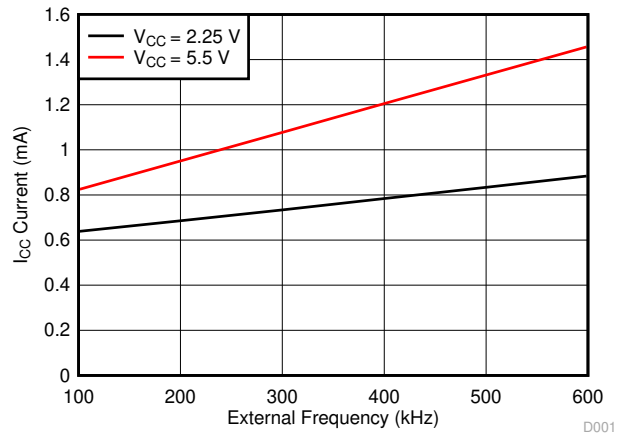


图 6-10. Current vs External Frequency

## 6.8 Typical Characteristics, SN6505B

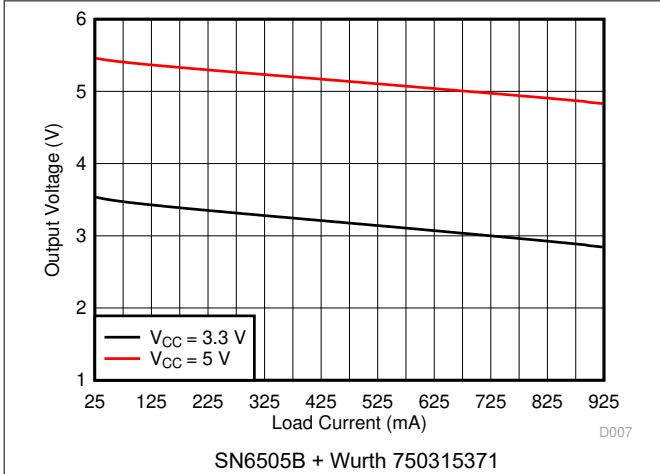


图 6-11. Output Voltage vs Load Current

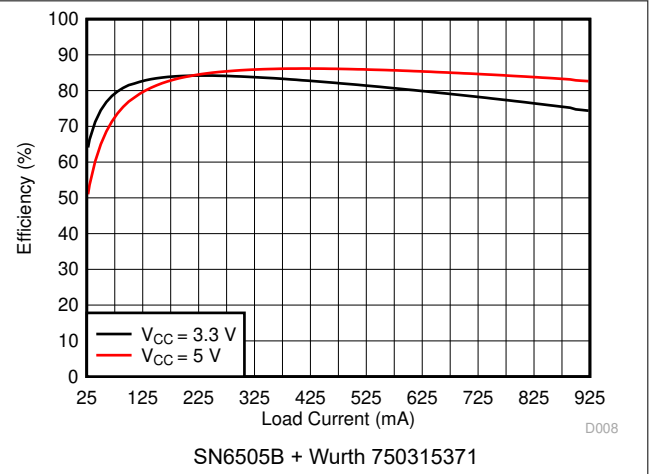


图 6-12. Efficiency vs Load Current

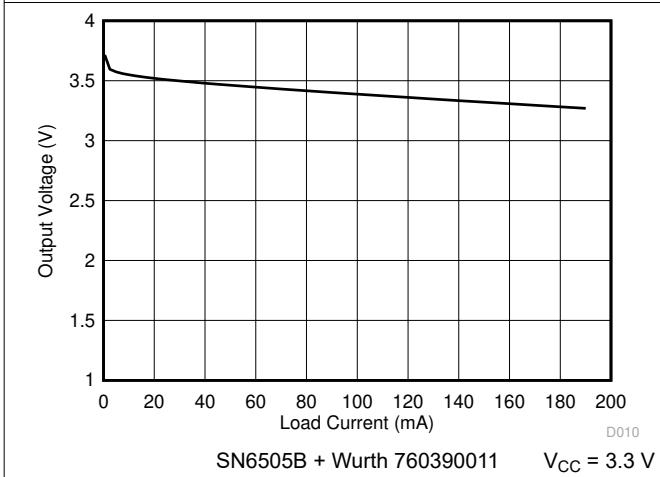


图 6-13. Output Voltage vs Load Current

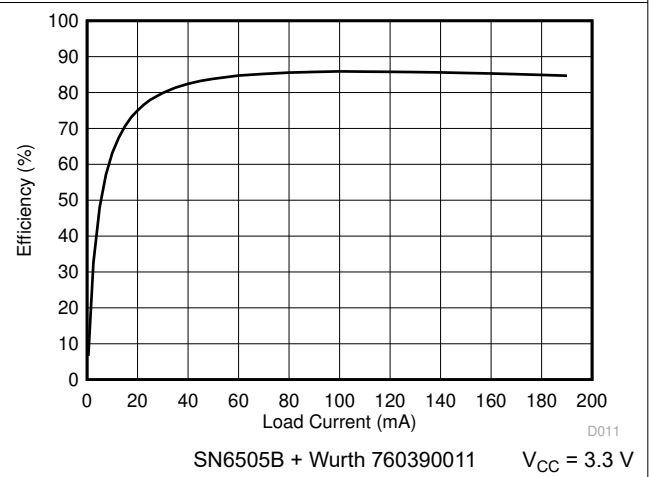


图 6-14. Efficiency vs Load Current

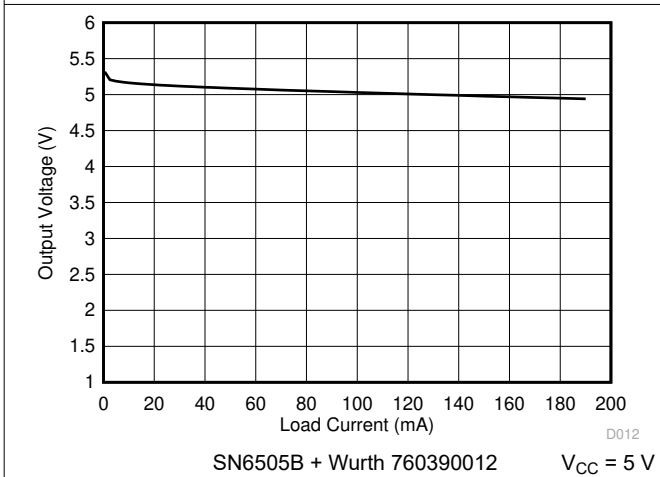


图 6-15. Output Voltage vs Load Current

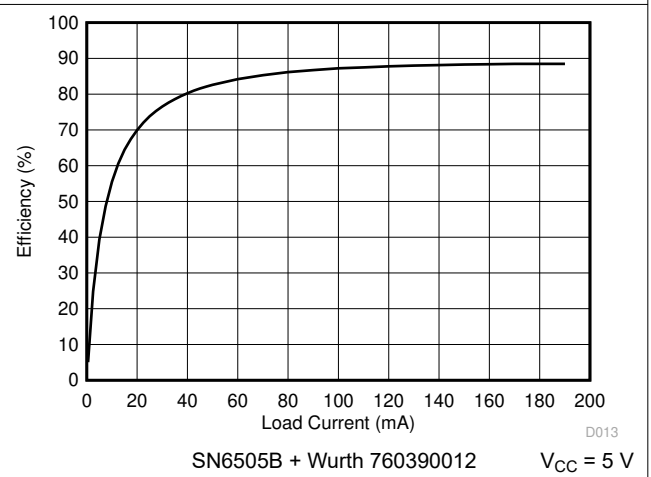
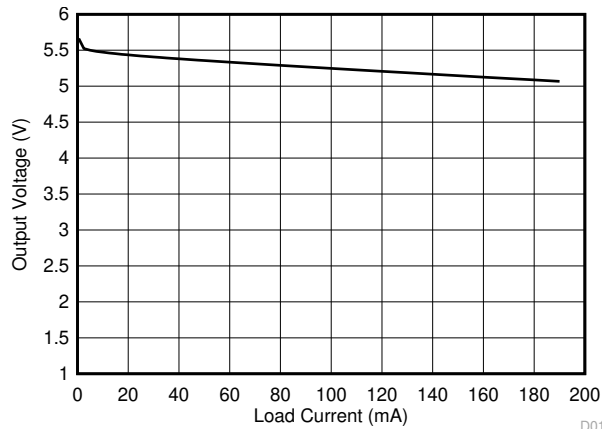
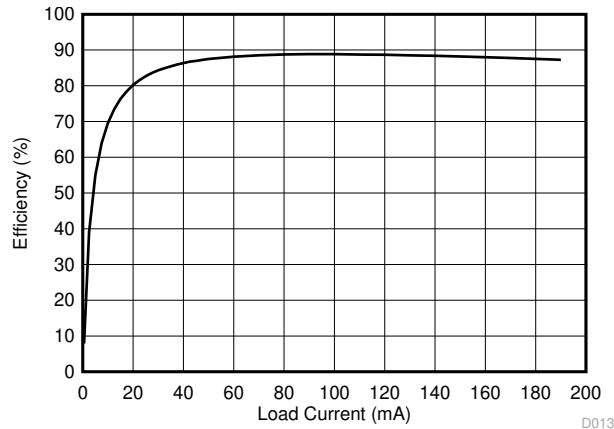


图 6-16. Efficiency vs Load Current



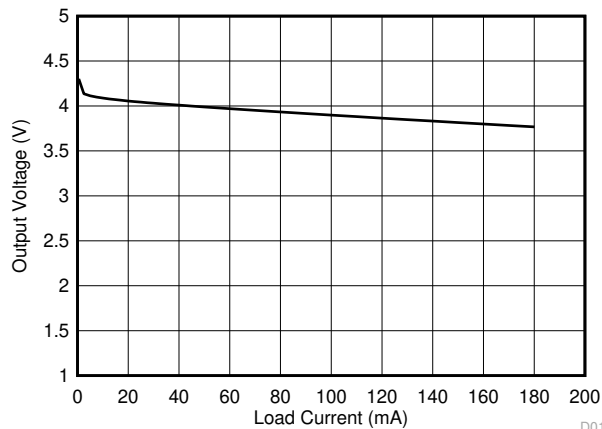
SN6505B + Würth 760390013  $V_{CC} = 3.3\text{ V}$

图 6-17. Output Voltage vs Load Current



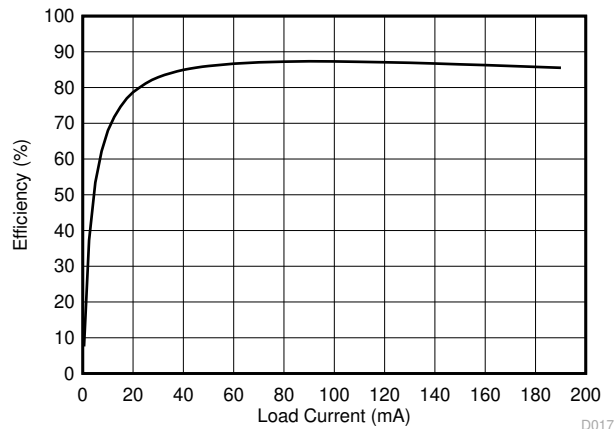
SN6505B + Würth 760390013  $V_{CC} = 3.3\text{ V}$

图 6-18. Efficiency vs Load Current



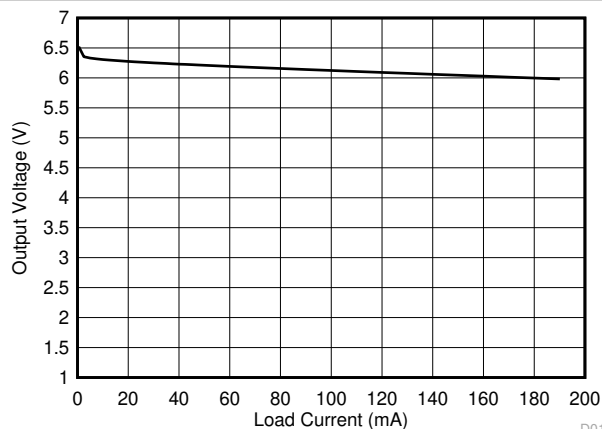
SN6505B + Würth 760390014  $V_{CC} = 3.3\text{ V}$

图 6-19. Output Voltage vs Load Current



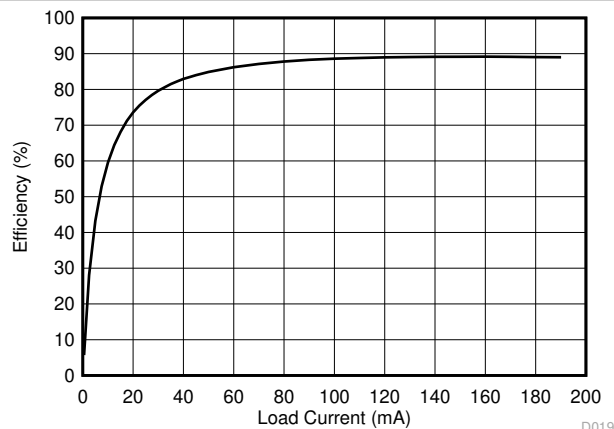
SN6505B + Würth 760390014  $V_{CC} = 3.3\text{ V}$

图 6-20. Efficiency vs Load Current



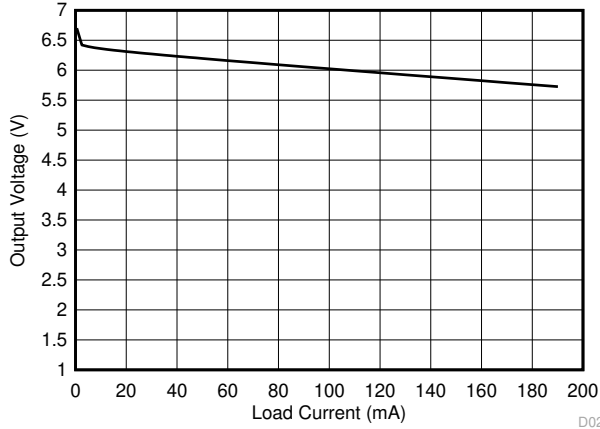
SN6505B + Würth 760390014  $V_{CC} = 5\text{ V}$

图 6-21. Output Voltage vs Load Current



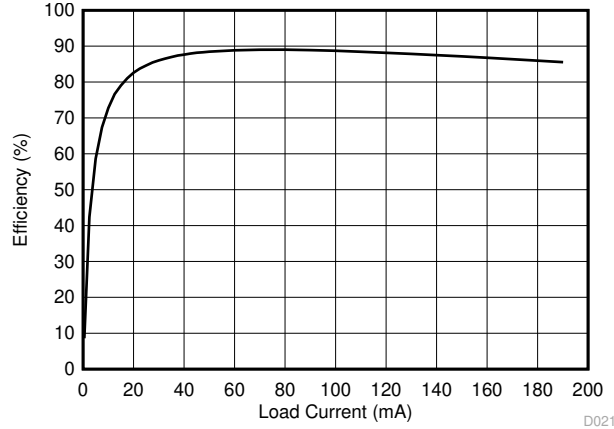
SN6505B + Würth 760390014  $V_{CC} = 5\text{ V}$

图 6-22. Efficiency vs Load Current



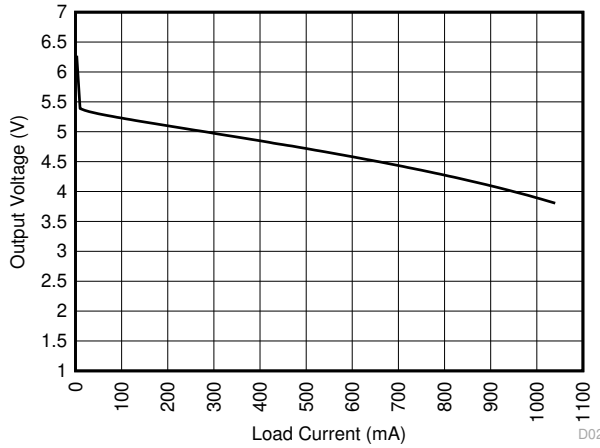
SN6505B + Würth 760390015  $V_{CC} = 3.3\text{ V}$

图 6-23. Output Voltage vs Load Current



SN6505B + Würth 760390015  $V_{CC} = 3.3\text{ V}$

图 6-24. Efficiency vs Load Current



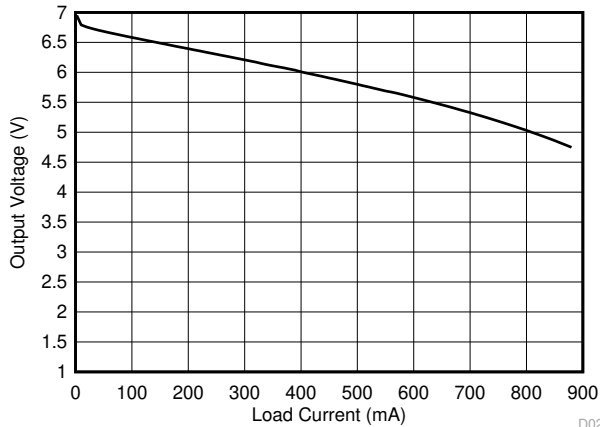
SN6505B + Würth 750316028  $V_{CC} = 3.3\text{ V}$

图 6-25. Output Voltage vs Load Current



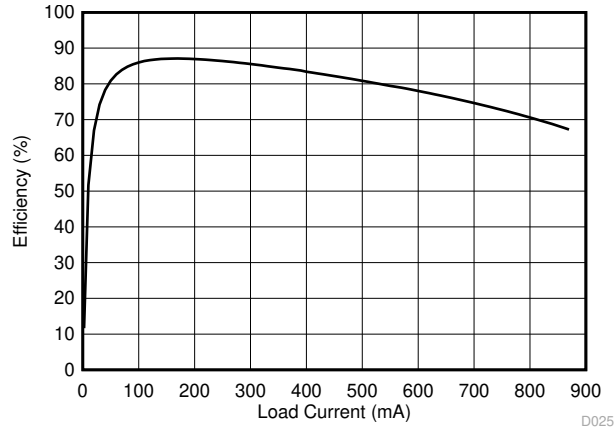
SN6505B + Würth 750316028  $V_{CC} = 3.3\text{ V}$

图 6-26. Efficiency vs Load Current



SN6505B + Würth 750316029  $V_{CC} = 3.3\text{ V}$

图 6-27. Output Voltage vs Load Current



SN6505B + Würth 750316029  $V_{CC} = 3.3\text{ V}$

图 6-28. Efficiency vs Load Current

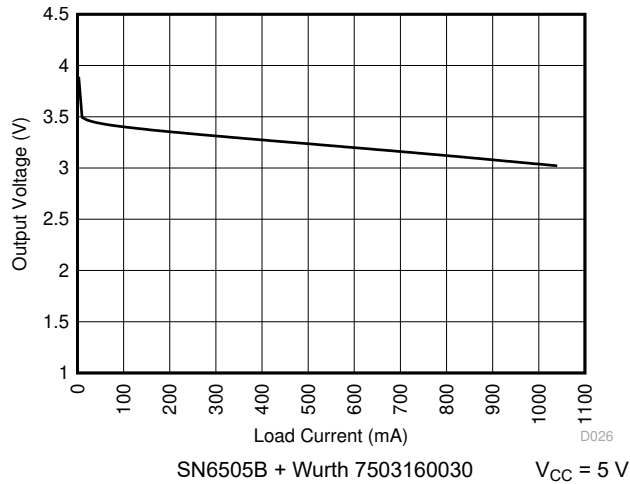


图 6-29. Output Voltage vs Load Current

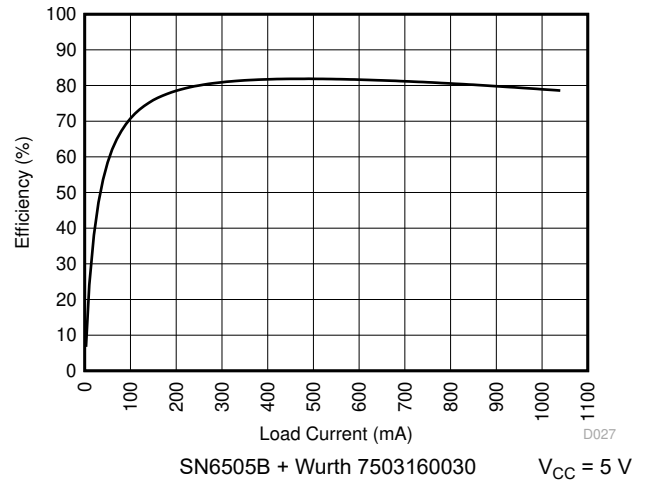


图 6-30. Efficiency vs Load Current

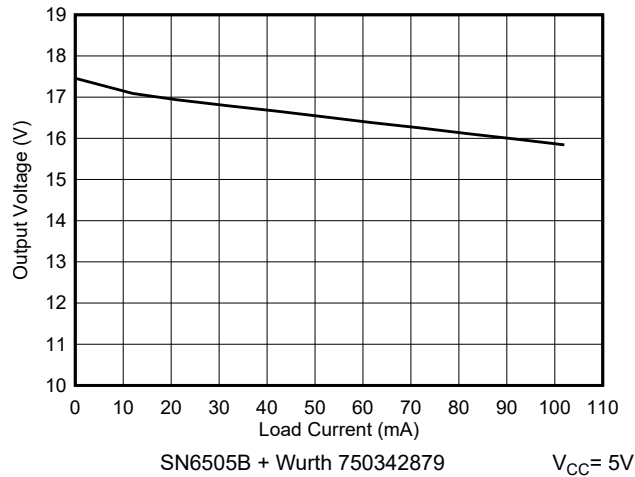


图 6-31. Output Voltage vs Load Current

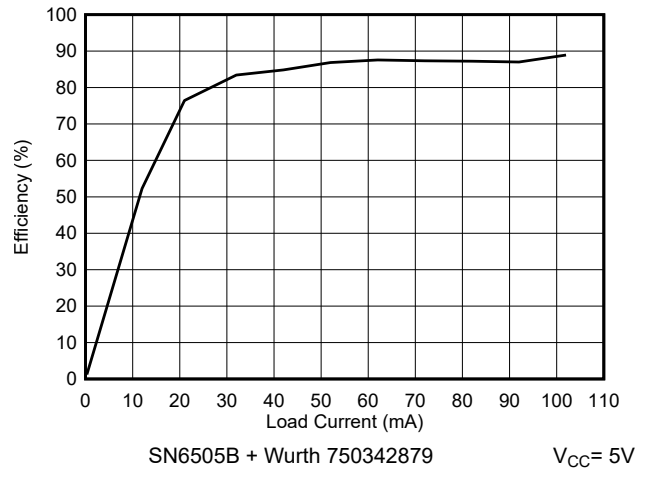


图 6-32. Efficiency vs Load Current

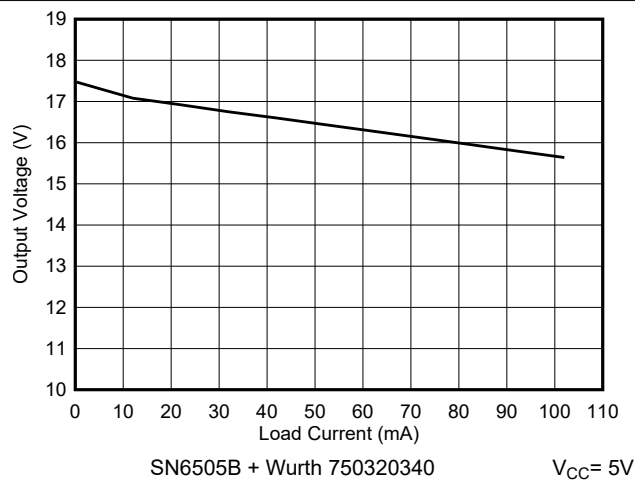


图 6-33. Output Voltage vs Load Current

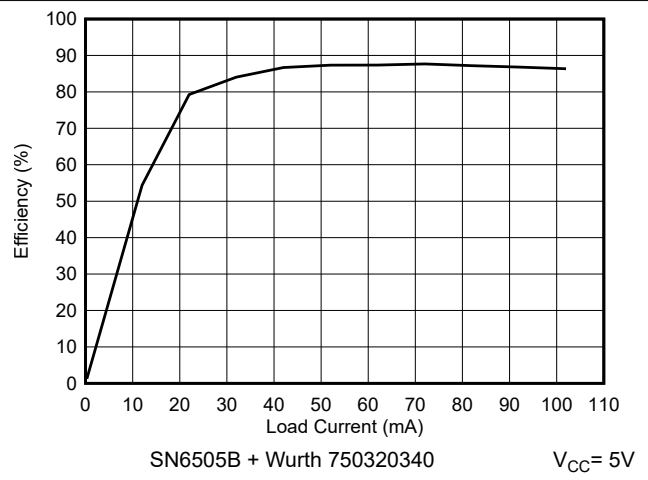
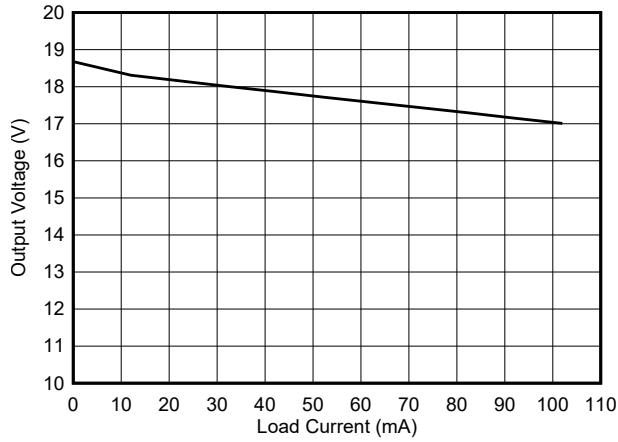
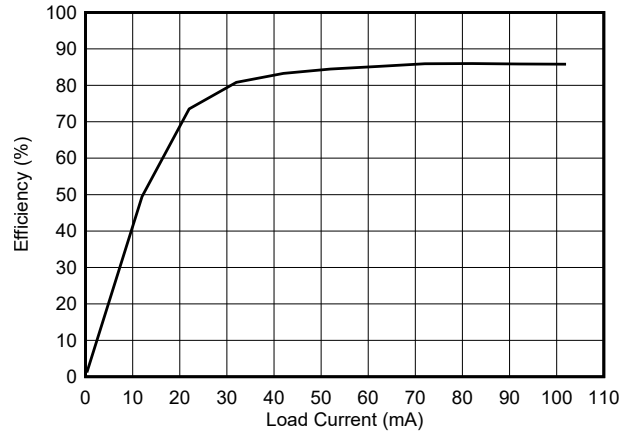


图 6-34. Efficiency vs Load Current



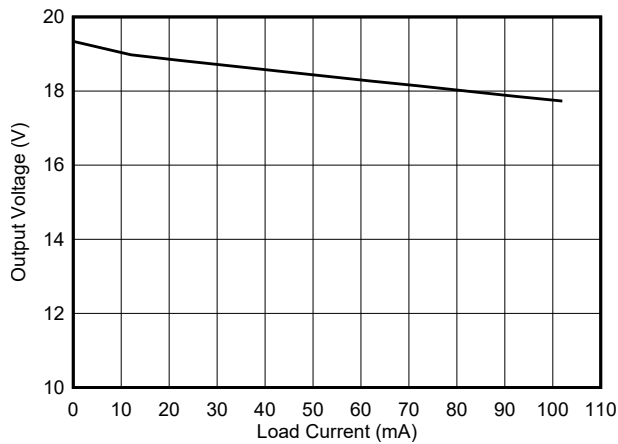
SN6505B + Würth 78931812518  $V_{CC}=5V$

**图 6-35. Output Voltage vs Load Current**



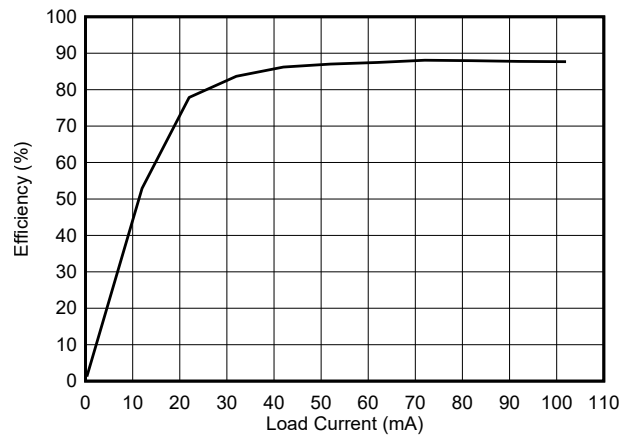
SN6505B + Würth 78931812518  $V_{CC}=5V$

**图 6-36. Efficiency vs Load Current**



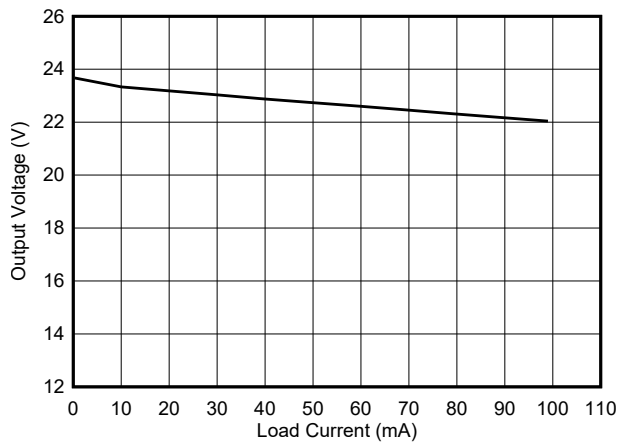
SN6505B + Würth 750343725  $V_{CC}=5V$

**图 6-37. Output Voltage vs Load Current**



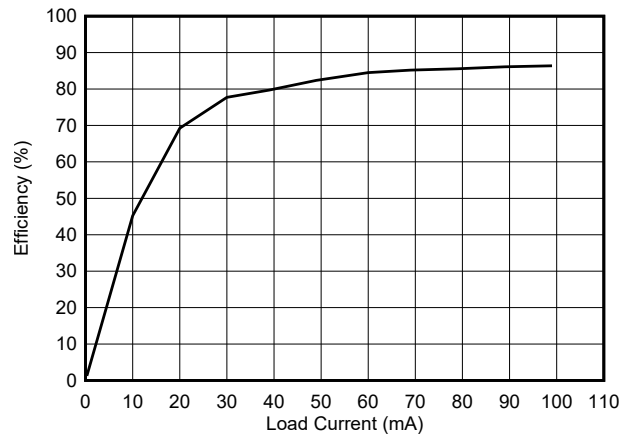
SN6505B + Würth 750343725  $V_{CC}=5V$

**图 6-38. Efficiency vs Load Current**



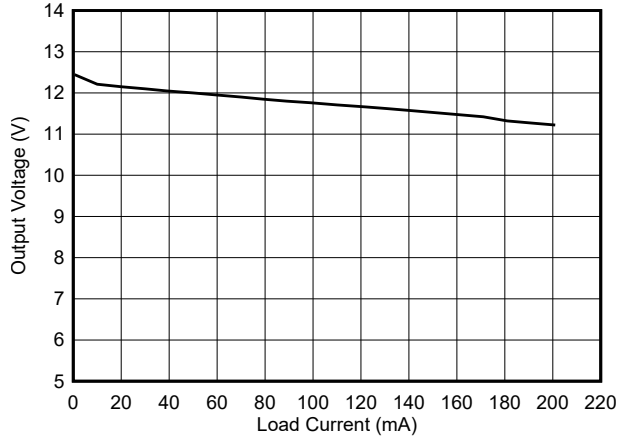
SN6505B + Würth 78931812523  $V_{CC}=5V$

**图 6-39. Output Voltage vs Load Current**



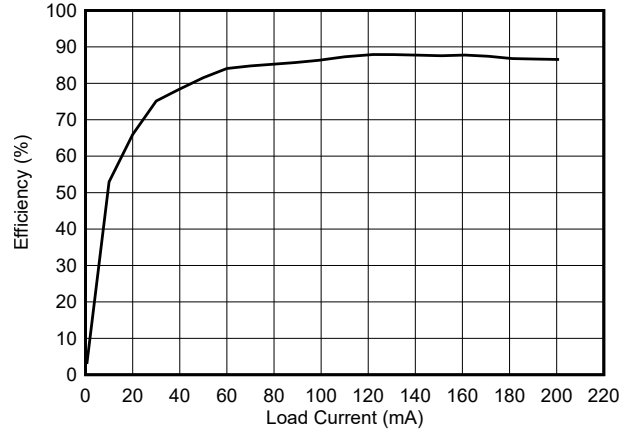
SN6505B + Würth 78931812523  $V_{CC}=5V$

**图 6-40. Efficiency vs Load Current**



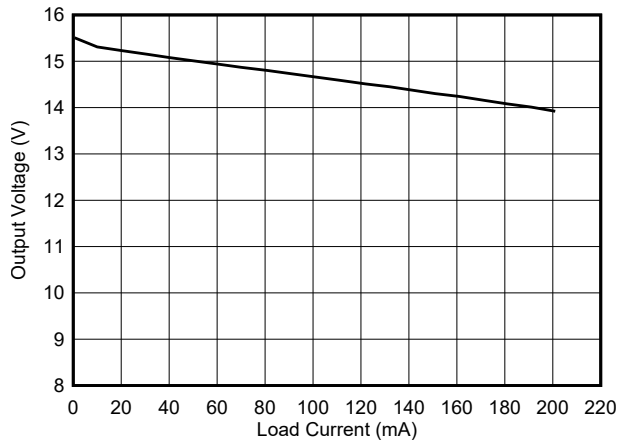
SN6505B + Würth 78931812512  $V_{CC} = 5V$

图 6-41. Output Voltage vs Load Current



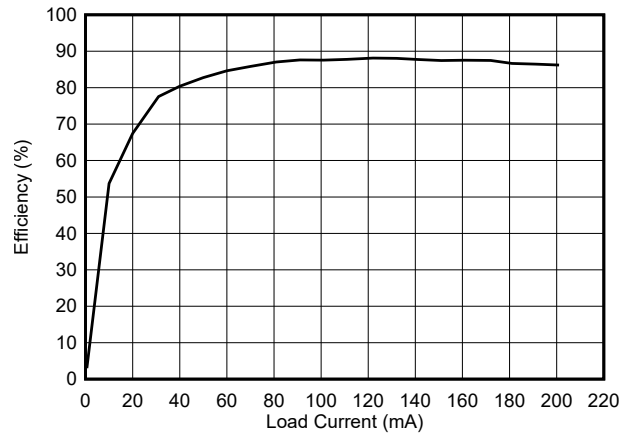
SN6505B + Würth 78931812512  $V_{CC} = 5V$

图 6-42. Efficiency vs Load Current



SN6505B + Würth 78931812515  $V_{CC} = 5V$

图 6-43. Output Voltage vs Load Current



SN6505B + Würth 78931812515  $V_{CC} = 5V$

图 6-44. Efficiency vs Load Current

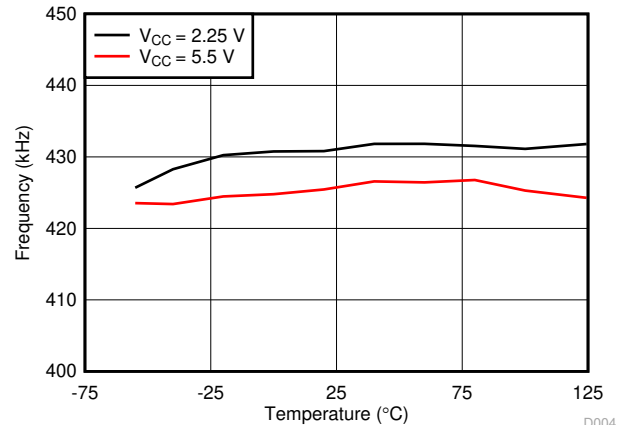


图 6-45. Frequency vs Free-Air Temperature

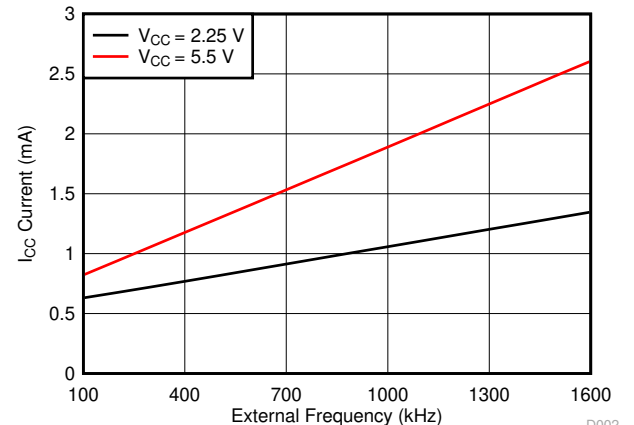


图 6-46. Current vs External Frequency

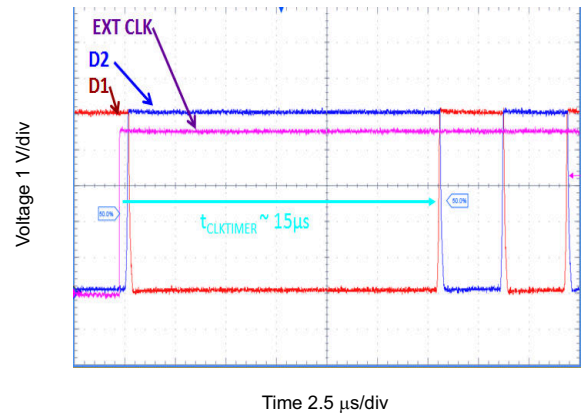


图 6-47. Scope Capture of SN6505 Switching from External to Internal Clock

## 7 Parameter Measurement Information

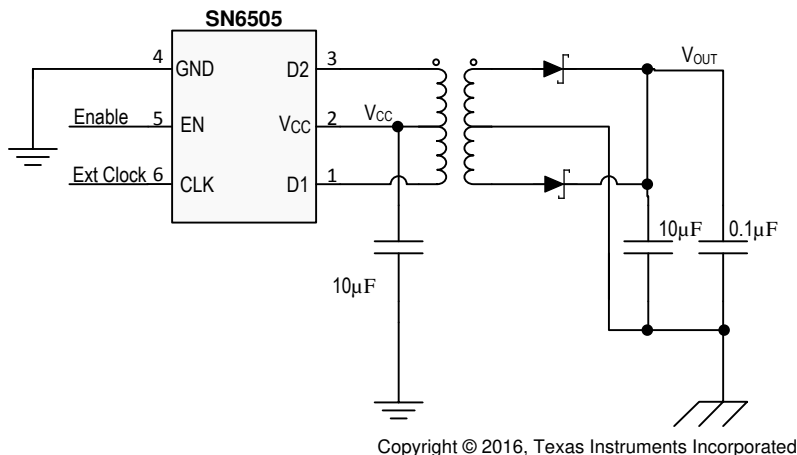


图 7-1. Measurement Circuit for Unregulated Output (TP1)

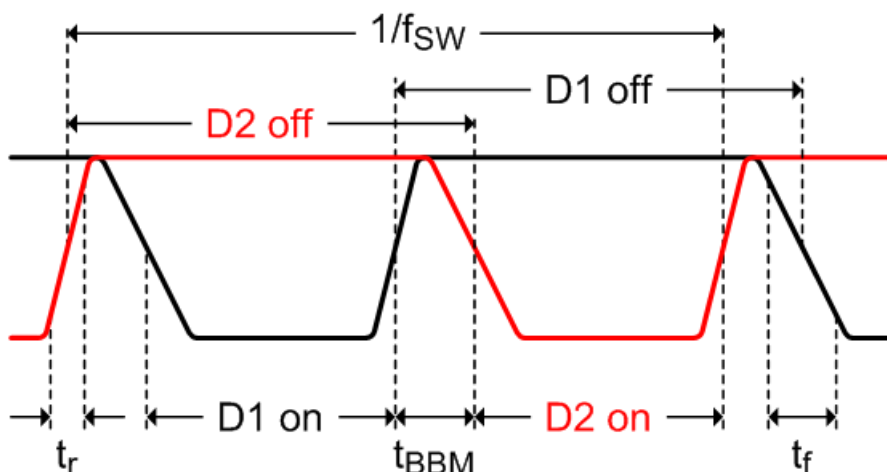


图 7-2. Timing Diagram

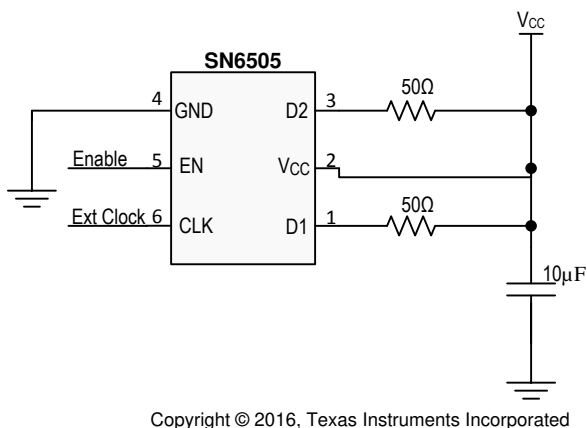
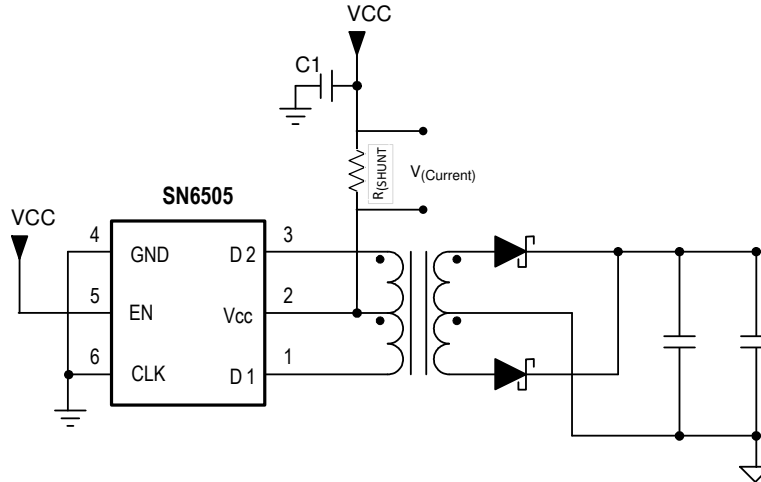


图 7-3. Test Circuit for  $F_{SW}$ ,  $V_{(slew)}$ ,  $t_{BBM}$



Copyright © 2016, Texas Instruments Incorporated

图 7-4.  $I_{(slew)}$  Test Setup

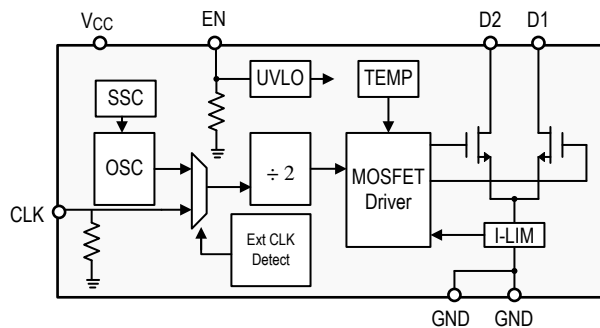
## 8 Detailed Description

### 8.1 Overview

The SN6505 is a transformer driver designed for low-cost, small form-factor, isolated DC/DC converters utilizing the push-pull topology. The device includes an oscillator that feeds a gate-drive circuit. The gate-drive, comprising a frequency divider and a break-before-make (BBM) logic, provides two complementary output signals which alternately turn the two output transistors on and off.

The output frequency of the oscillator is divided down by two. A subsequent break-before-make logic inserts a dead-time between the high-pulses of the two signals. Before either one of the gates can assume logic high, the BBM logic ensures a short time period during which both signals are low and both transistors are high-impedance. This short period, is required to avoid shorting out both ends of the primary. The resulting output signals, present the gate-drive signals for the output transistors.

### 8.2 Functional Block Diagram



### 8.3 Feature Description

#### 8.3.1 Push-Pull Converter

Push-pull converters require transformers with center-taps to transfer power from the primary to the secondary (see [Figure 8-1](#)).

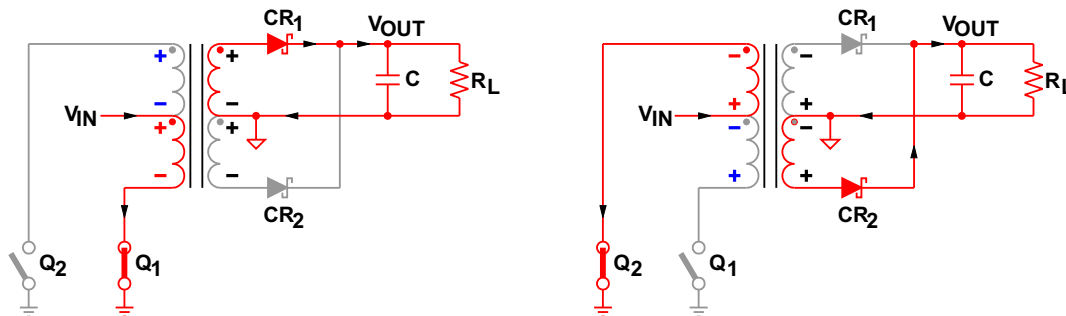


图 8-1. Switching Cycles of a Push-Pull Converter

When  $Q_1$  conducts,  $V_{IN}$  drives a current through the lower half of the primary to ground, thus creating a negative voltage potential at the lower primary end with regards to the  $V_{IN}$  potential at the center-tap.

At the same time the voltage across the upper half of the primary is such that the upper primary end is positive with regards to the center-tap in order to maintain the previously established current flow through  $Q_2$ , which now has turned high-impedance. The two voltage sources, each of which equaling  $V_{IN}$ , appear in series and cause a voltage potential at the open end of the primary of  $2 \times V_{IN}$  with regards to ground.

Per dot convention the same voltage polarities that occur at the primary also occur at the secondary. The positive potential of the upper secondary end therefore forward biases diode  $CR_1$ . The secondary current starting from the upper secondary end flows through  $CR_1$ , charges capacitor  $C$ , and returns through the load impedance  $R_L$  back to the center-tap.

When  $Q_2$  conducts,  $Q_1$  goes high-impedance and the voltage polarities at the primary and secondary reverse. Now the lower end of the primary presents the open end with a  $2 \times V_{IN}$  potential against ground. In this case  $CR_2$  is forward biased while  $CR_1$  is reverse biased and current flows from the lower secondary end through  $CR_2$ , charging the capacitor and returning through the load to the center-tap.

### 8.3.2 Core Magnetization

图 8-2 shows the ideal magnetizing curve for a push-pull converter with  $B$  as the magnetic flux density and  $H$  as the magnetic field strength. When  $Q_1$  conducts the magnetic flux is pushed from  $A$  to  $A'$ , and when  $Q_2$  conducts the flux is pulled back from  $A'$  to  $A$ . The difference in flux and thus in flux density is proportional to the product of the primary voltage,  $V_P$ , and the time,  $t_{ON}$ , it is applied to the primary:  $B \approx V_P \times t_{ON}$ .

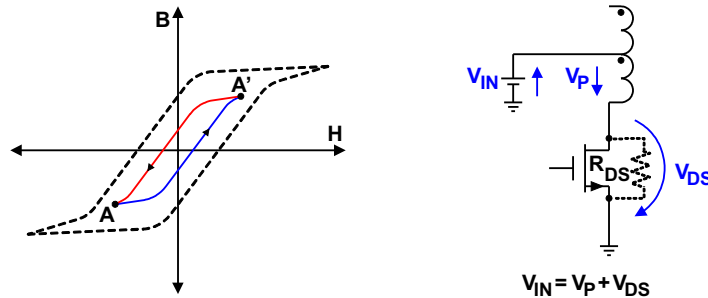


图 8-2. Core Magnetization and Self-Regulation Through Positive Temperature Coefficient of  $R_{DS(on)}$

This volt-seconds (V-t) product is important as it determines the core magnetization during each switching cycle. If the V-t products of both phases are not identical, an imbalance in flux density swing results with an offset from the origin of the B-H curve. If balance is not restored, the offset increases with each following cycle and the transformer slowly creeps toward the saturation region.

## 8.4 Device Functional Modes

The functional modes of the device are divided into start-up, operating, and off-mode.

### 8.4.1 Start-Up Mode

When the supply voltage at  $V_{CC}$  ramps up to 2.25 V, the internal oscillator starts operating. The output stage begins switching but the amplitude of the drain signals at D1 and D2 has not reached its full maximum yet.

#### 8.4.1.1 Soft-Start

SN6505A and SN6505B devices support soft-start feature. Upon power up or when EN pin transitions from Low to High, the gate drive of the output power-MOSFET is gradually increased over a period of time from 0 V to  $V_{CC}$ . Soft-start prevents high inrush current from  $V_{CC}$  while charging large secondary side decoupling capacitors, and also prevents overshoot in secondary voltage during power-up.

### 8.4.2 Operating Mode

When the device supply has reached its nominal value  $\pm 10\%$  the oscillator is fully operating. However variations over supply voltage and operating temperature can vary the switching frequencies at D1 and D2.


### 8.4.3 Shutdown-Mode

The device has a dedicated enable pin to put the device in very low power mode to save power when not in use. Enable pin has an internal pull down resistor which keeps device disabled when not driven. When disabled or when  $V_{CC}$  is  $< 1.7$  V, both drain outputs, D1 and D2, are tri-stated.

### 8.4.4 Spread Spectrum Clocking

Radiated emissions is an important concern in high current switching power supplies. SN6505 addresses this by modulating its internal clock in such a way that the emitting energy is spread over multiple frequency bins. This Spread Spectrum clocking feature greatly improves the emissions performance of the entire power supply block and hence relieves the system designer from one major concern in isolated power supply design.

### 8.4.5 External Clock Mode

The SN6505 has a CLK pin which can be used to synchronize the device with system clock and in turn with other SN6505 devices so that the system can control the exact switching frequency of the device. The Rising edge of the CLK is used to divide a clock by two and used to drive the gates.  9-2 shows the timing diagram for the same. The device also has external clock fail safe feature which automatically switches the device to the internal clock if a valid input clock is not present for long ( $t_{CLKTIMER}$ ). The in-built emissions reduction scheme of Spread Spectrum clocking is disabled when external clock is present.

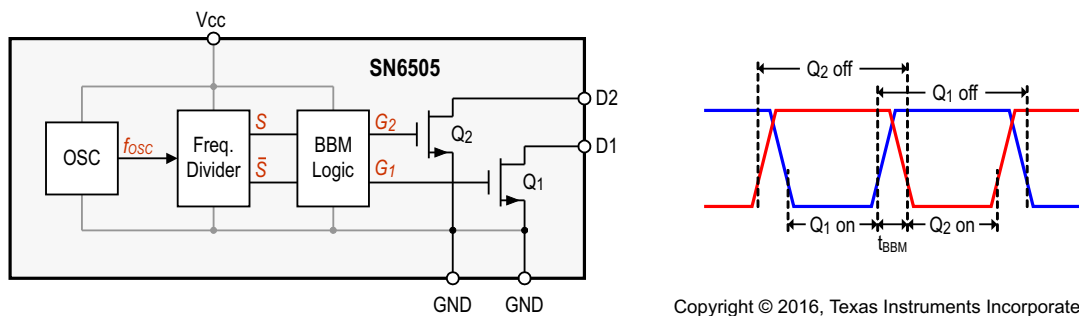
## 9 Application and Implementation

### 备注

Information in the following applications sections is not part of the TI component specification, and TI does not warrant its accuracy or completeness. TI's customers are responsible for determining suitability of components for their purposes. Customers should validate and test their design implementation to confirm system functionality.

### 9.1 Application Information

The SN6505 is a transformer driver designed for low-cost, small form-factor, isolated DC/DC converters using the push-pull topology. The device includes an oscillator that feeds a gate-drive circuit. The gate-drive, comprising a frequency divider and a break-before-make (BBM) logic, provides two complementary output signals which alternately turn the two output transistors on and off.



Copyright © 2016, Texas Instruments Incorporated

图 9-1. Block Diagram and Output Timing With Break-Before-Make Action

The output frequency of the oscillator is divided down by an asynchronous divider that provides two complementary output signals,  $S$  and  $\bar{S}$ , with a 50% duty cycle. A subsequent break-before-make logic inserts a dead-time between the high-pulses of the two signals. The resulting output signals,  $G_1$  and  $G_2$ , present the gate-drive signals for the output transistors  $Q_1$  and  $Q_2$ . As shown in 图 9-2, before either one of the gates can assume logic high, there must be a short time period during which both signals are low and both transistors are high-impedance. This short period, known as break-before-make time, is required to avoid shorting out both ends of the primary.

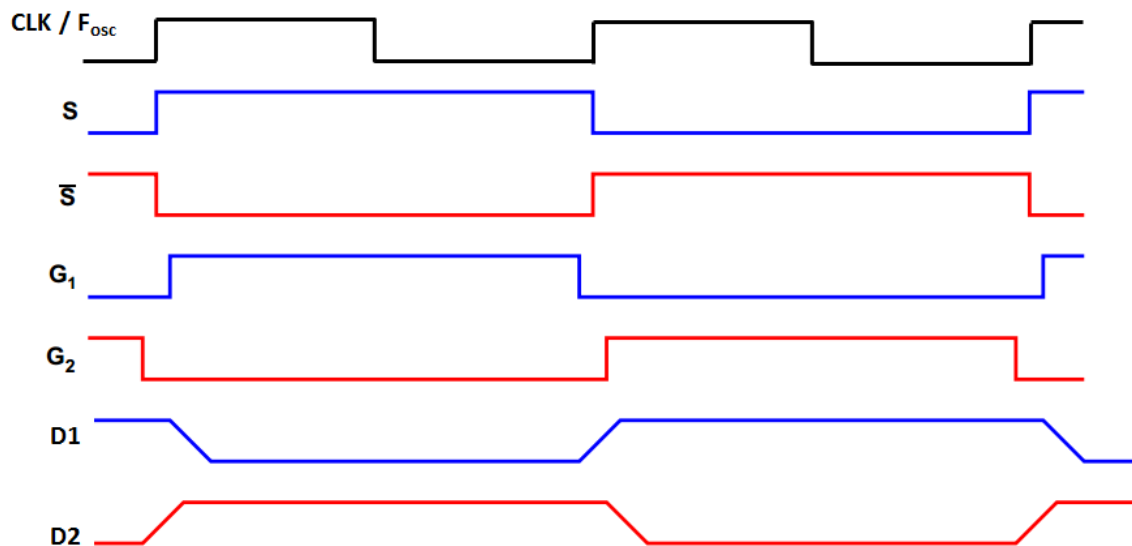
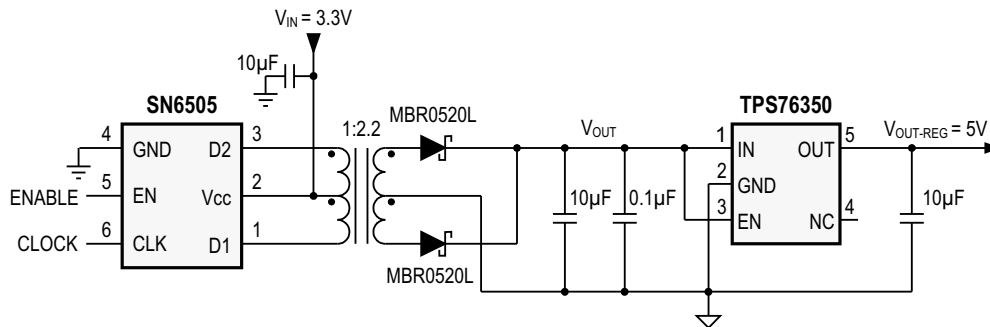


图 9-2. Detailed Output Signal Waveforms

## 9.2 Typical Application



Copyright © 2016, Texas Instruments Incorporated

图 9-3. Typical Application Schematic

### 9.2.1 Design Requirements

For this design example, use the parameters listed in 表 9-1 as design parameters.

表 9-1. Design Parameters

DESIGN PARAMETER	EXAMPLE VALUE
Input voltage range	3.3 V ± 3%
Output voltage	5 V
Maximum load current	100 mA

### 9.2.2 Detailed Design Procedure

The following recommendations on components selection focus on the design of an efficient push-pull converter with high current drive capability. Contrary to popular belief, the output voltage of the unregulated converter output drops significantly over a wide range in load current. The characteristic curve in 图 6-1 and 图 6-11 for example, shows that the difference between  $V_{OUT}$  at minimum load and  $V_{OUT}$  at maximum load exceeds a transceiver's supply range. Therefore, in order to provide a stable, load independent supply while maintaining maximum possible efficiency the implementation of a low dropout regulator (LDO) is strongly advised.

The final converter circuit is shown in 图 9-8. The measured  $V_{OUT}$  and efficiency characteristics for the regulated and unregulated outputs are shown in 图 6-2 and 图 6-12.

#### 9.2.2.1 Drive Capability

The transformer driver is designed for low-power push-pull converters with input and output voltages in the range of 2.25 V to 5.5 V. While converter designs with higher output voltages are possible, care must be taken that higher turns ratios don't lead to primary currents that exceed the specified current limits of the device.

#### 9.2.2.2 LDO Selection

The minimum requirements for a suitable low dropout regulator are:

- Its current drive capability should slightly exceed the specified load current of the application to prevent the LDO from dropping out of regulation. Therefore, for a load current of 600 mA, choose a 600 mA to 750 mA LDO. While regulators with higher drive capabilities are acceptable, they also usually possess higher dropout voltages that will reduce overall converter efficiency.
- The internal dropout voltage,  $V_{DO}$ , at the specified load current should be as low as possible to maintain efficiency. For a low-cost 750 mA LDO, a  $V_{DO}$  of 600 mV at 750 mA is common. Be aware; however, that this lower value is usually specified at room temperature and can increase by a factor of 2 over temperature, which in turn will raise the required minimum input voltage.
- The required minimum input voltage preventing the regulator from dropping out of line regulation is given with:

$$V_{I-\min} = V_{DO-\max} + V_{O-\max} \quad (1)$$

This means in order to determine  $V_I$  for worst-case condition, the user must take the maximum values for  $V_{DO}$  and  $V_O$  specified in the LDO data sheet for rated output current (that is, 600 mA) and add them together. Also specify that the output voltage of the push-pull rectifier at the specified load current is equal or higher than  $V_{I-\min}$ . If it is not, the LDO will lose line-regulation and any variations at the input passes straight through to the output. Hence, below  $V_{I-\min}$  the output voltage follows the input and the regulator behaves like a simple conductor.

- The maximum regulator input voltage must be higher than the rectifier output under no-load. Under this condition there is no secondary current reflected back to the primary, thus making the voltage drop across  $R_{DS-on}$  negligible and allowing the entire converter input voltage to drop across the primary. At this point, the secondary reaches its maximum voltage of

$$V_{S-\max} = V_{IN-\max} \times n \quad (2)$$

with  $V_{IN-\max}$  as the maximum converter input voltage and  $n$  as the transformer turns ratio. Thus to prevent the LDO from damage the maximum regulator input voltage must be higher than  $V_{S-\max}$ . 表 9-2 lists the maximum secondary voltages for various turns ratios commonly applied in push-pull converters.

**表 9-2. Required Maximum LDO Input Voltages for Various Push-Pull Configurations**

PUSH-PULL CONVERTER				LDO
CONFIGURATION	$V_{IN-\max}$ [V]	URNS-RATIO	$V_{S-\max}$ [V]	$V_{I-\max}$ [V]
3.3 $V_{IN}$ to 3.3 $V_{OUT}$	3.6	1.5 ± 3%	5.6	6 to 10
3.3 $V_{IN}$ to 5 $V_{OUT}$	3.6	2.2 ± 3%	8.2	10
5 $V_{IN}$ to 5 $V_{OUT}$	5.5	1.5 ± 3%	8.5	10

### 9.2.2.3 Diode Selection

A rectifier diode should always possess low-forward voltage to provide as much voltage to the converter output as possible. When used in high-frequency switching applications, such as the SN6505 however, the diode must also possess a short recovery time. Schottky diodes meet both requirements and are therefore strongly recommended in push-pull converter designs. A good choice for low-volt applications and ambient temperatures of up to 85°C is the low-cost Schottky rectifier MBR0520L with a typical forward voltage of 275 mV at 100-mA forward current. For higher output voltages such as ±10 V and above use the MBR0530 which provides a higher DC blocking voltage of 30 V.

Lab measurements have shown that at temperatures higher than 100°C the leakage currents of the above Schottky diodes increase significantly. This can cause thermal runaway leading to the collapse of the rectifier output voltage. Therefore, for ambient temperatures higher than 85°C use low-leakage Schottky diodes, such as RB168MM-40.

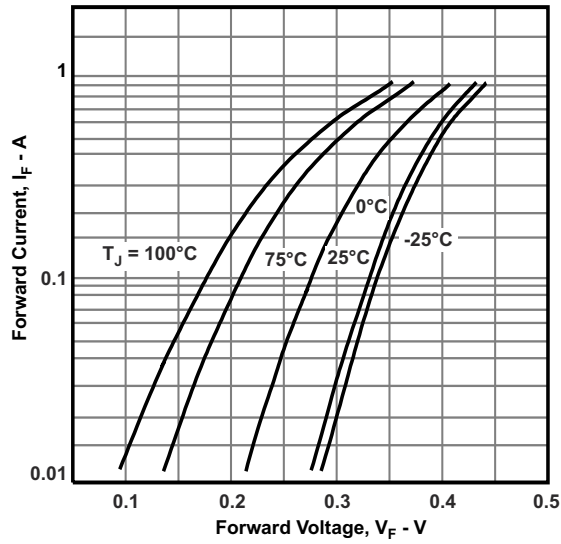


图 9-4. Diode Forward Characteristics for MBR0520L

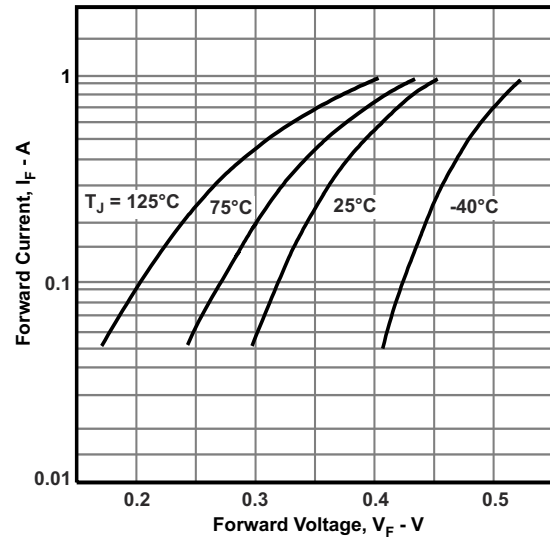


图 9-5. Diode Forward Characteristics MBR0530

### 9.2.2.4 Capacitor Selection

The capacitors in the converter circuit in [图 9-8](#) are multi-layer ceramic chip (MLCC) capacitors.

As with all high speed CMOS ICs, the device requires a bypass capacitor in the range of 10 nF to 100 nF.

The input bulk capacitor at the center-tap of the primary supports large currents into the primary during the fast switching transients. For minimum ripple make this capacitor 1  $\mu$ F to 10  $\mu$ F. In a 2-layer PCB design with a dedicated ground plane, place this capacitor close to the primary center-tap to minimize trace inductance. In a 4-layer board design with low-inductance reference planes for ground and  $V_{IN}$ , the capacitor can be placed at the supply entrance of the board. To ensure low-inductance paths use two vias in parallel for each connection to a reference plane or to the primary center-tap.

The bulk capacitor at the rectifier output smooths the output voltage. Make this capacitor 1  $\mu$ F to 10  $\mu$ F.

The small capacitor at the regulator input is not necessarily required. However, good analog design practice suggests, using a small value of 47 nF to 100 nF improves the regulator's transient response and noise rejection.

The LDO output capacitor buffers the regulated output for the subsequent isolator and transceiver circuitry. The choice of output capacitor depends on the LDO stability requirements specified in the data sheet. However, in most cases, a low-ESR ceramic capacitor in the range of 4.7  $\mu$ F to 10  $\mu$ F will satisfy these requirements.

### 9.2.2.5 Transformer Selection

#### 9.2.2.5.1 V-t Product Calculation

To prevent a transformer from saturation its V-t product must be greater than the maximum V-t product applied by the device. The maximum voltage delivered by the device is the nominal converter input plus 10%. The maximum time this voltage is applied to the primary is half the period of the lowest frequency at the specified input voltage. Therefore, the transformer's minimum V-t product is determined through:

$$Vt_{\min} \geq V_{IN-\max} \times \frac{T_{\max}}{2} = \frac{V_{IN-\max}}{2 \times f_{\min}} \quad (3)$$

Taking an example of  $f_{\min}$  as 138 kHz for [SN6505A](#) and 363 kHz for [SN6505B](#) with a 5 V supply, [方程式 3](#) yields the minimum V-t products of:

$$Vt_{\min} \geq \frac{5.5 \text{ V}}{2 \times 138 \text{ kHz}} = 20 \text{ V}\mu\text{s} \quad \text{for SN6505A, and}$$

$$Vt_{\min} \geq \frac{5.5 \text{ V}}{2 \times 363 \text{ kHz}} = 7.6 \text{ V}\mu\text{s} \quad \text{for SN6505B applications.} \quad (4)$$

Common V-t values for low-power center-tapped transformers range from 22  $\text{V}\mu\text{s}$  to 150  $\text{V}\mu\text{s}$  with typical footprints of 10 mm x 12 mm. However, transformers specifically designed for PCMCIA applications provide as little as 11  $\text{V}\mu\text{s}$  and come with a significantly reduced footprint of 6 mm x 6 mm only.

While Vt-wise all of these transformers can be driven by the device, other important factors such as isolation voltage, transformer wattage, and turns ratio must be considered before making the final decision.

#### 9.2.2.5.2 Turns Ratio Estimate

Assume the rectifier diodes and linear regulator has been selected. Also, it has been determined that the transformer chosen must have a V-t product of at least 11  $\text{V}\mu\text{s}$ . However, before searching the manufacturer web sites for a suitable transformer, the user still needs to know its minimum turns ratio that allows the push-pull converter to operate flawlessly over the specified current and temperature range. This minimum transformation ratio is expressed through the ratio of minimum secondary to minimum primary voltage multiplied by a correction factor that takes the transformer's typical efficiency of 97% into account:

$$V_{P-\min} = V_{IN-\min} - V_{DS-\max} \quad (5)$$

$V_{S-\min}$  must be large enough to allow for a maximum voltage drop,  $V_{F-\max}$ , across the rectifier diode and still provide sufficient input voltage for the regulator to remain in regulation. From the 节 9.2.2.2 section, this minimum input voltage is known and by adding  $V_{F-\max}$  gives the minimum secondary voltage with:

$$V_{S-\min} = V_{F-\max} + V_{DO-\max} + V_{O-\max} \quad (6)$$

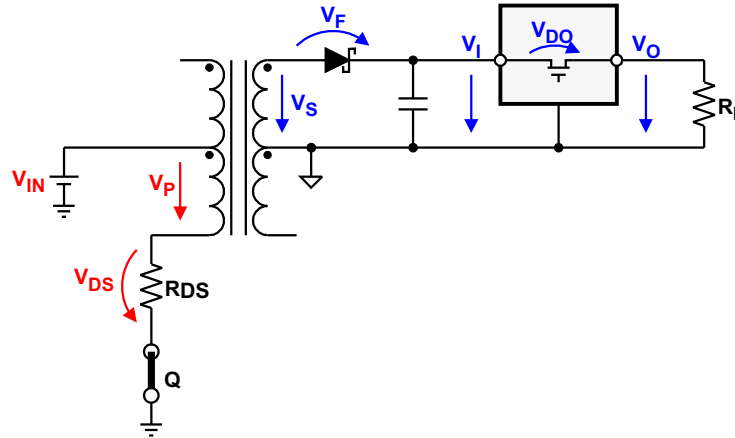


图 9-6. Establishing the Required Minimum Turns Ratio Through  $N_{\min} = 1.031 \times V_{S-\min} / V_{P-\min}$

Then calculating the available minimum primary voltage,  $V_{P-\min}$ , involves subtracting the maximum possible drain-source voltage of the device,  $V_{DS-\max}$ , from the minimum converter input voltage  $V_{IN-\min}$ :

$$V_{P-\min} = V_{IN-\min} - V_{DS-\max} \quad (7)$$

$V_{DS-\max}$  however, is the product of the maximum  $R_{DS(on)}$  and  $I_D$  values for a given supply specified in the data sheet:

$$V_{DS-\max} = R_{DS-\max} \times I_{D-\max} \quad (8)$$

Then inserting 方程式 8 into 方程式 7 yields:

$$V_{P-\min} = V_{IN-\min} - R_{DS-\max} \times I_{D-\max} \quad (9)$$

and inserting 方程式 9 and 方程式 6 into 方程式 5 provides the minimum turns ration with:

$$n_{\min} = 1.031 \times \frac{V_{F-\max} + V_{DO-\max} + V_{O-\max}}{V_{IN-\min} - R_{DS-\max} \times I_{D-\max}} \quad (10)$$

### Example:

For a 3.3  $V_{IN}$  to 5  $V_{OUT}$  converter using the rectifier diode MBR0520L and the 5 V LDO, the data sheet values taken for a load current of 600 mA and a maximum temperature of 85°C are  $V_{F-\max} = 0.2$  V,  $V_{DO-\max} = 0.5$  V, and  $V_{O-\max} = 5.1$  V.

Then assuming that the converter input voltage is taken from a 3.3 V controller supply with a maximum  $\pm 2\%$  accuracy makes  $V_{IN-\min} = 3.234$  V. Finally the maximum values for drain-source resistance and drain current at 3.3 V are taken from the data sheet with  $R_{DS-\max} = 0.31 \Omega$  and  $I_{D-\max} = 1$  A.

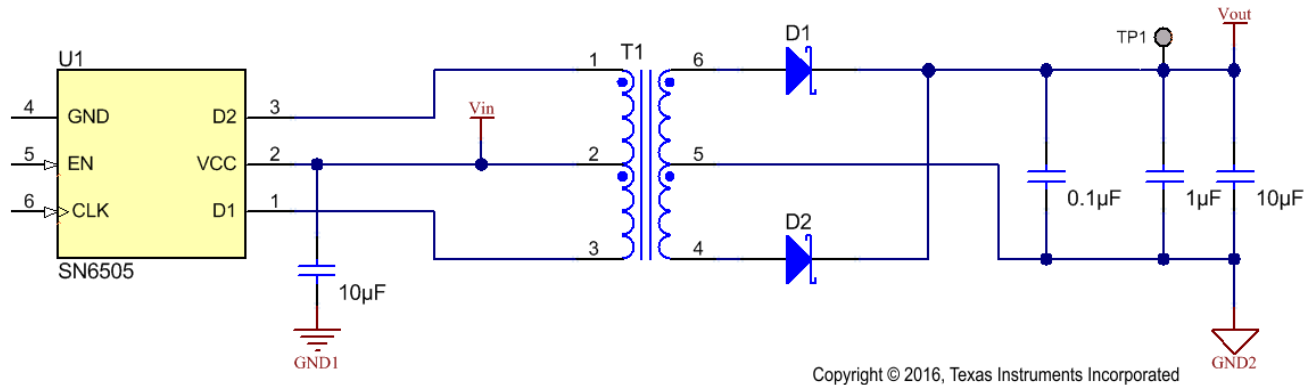
Inserting the values above into 方程式 10 yields a minimum turns ratio of:

$$\eta_{\min} = 1.031 \times \frac{0.2 \text{ V} + 0.5 \text{ V} + 5.1 \text{ V}}{3.234 \text{ V} - 0.31 \Omega \times 1 \text{ A}} = 2.05 \quad (11)$$

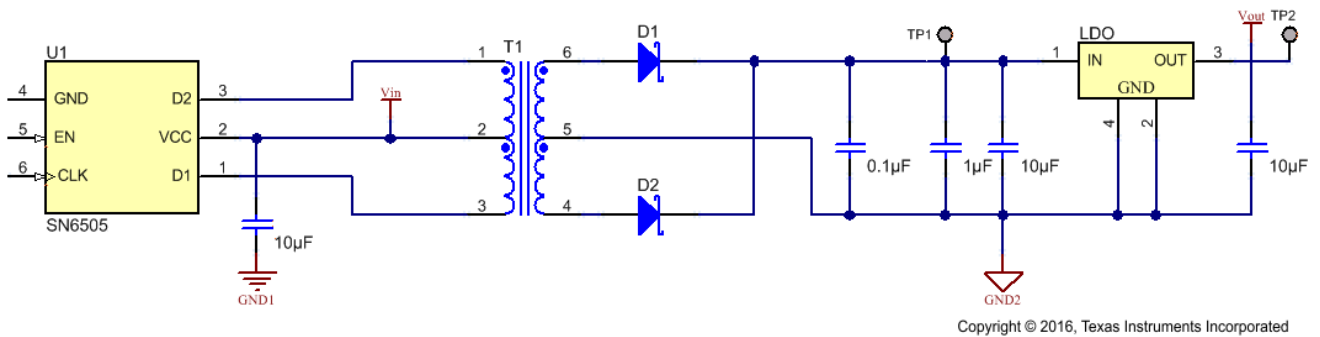
Most commercially available transformers for 3-to-5 V push-pull converters offer turns ratios between 2.0 and 2.3 with a common tolerance of  $\pm 3\%$ .

**9.2.2.5.3 Recommended Transformers**

Depending on the application, use the minimum configuration in [图 9-7](#) or standard configuration in [图 9-8](#).



**图 9-7. Unregulated Output for Low-Current Loads With Wide Supply Range**



**图 9-8. Regulated Output for Stable Supplies and High Current Loads**

The Würth Electronics Midcom isolation transformers in [表 9-3](#) are optimized designs for the device, providing high efficiency and small form factor at low-cost.

The 1:1.1 and 1:1.7 turns-ratios are designed for logic applications with wide supply rails and low load currents. These applications operate without LDO, thus achieving further cost-reduction.

**表 9-3. Recommended Isolation Transformers Optimized for the Device**

URNS RATIO	V × T (V μs)	ISOLATION (V <sub>RMS</sub> )	DIMENSIONS (mm)	APPLICATION	LDO <sup>(1)</sup>	ORDER NO.	MANUFACTURER
1:1.1 ±2%	7	2500	6.73 x 10.05 x 4.19	3.3 V → 3.3 V, 100mA, SN6505B Refer to 图 6-13 and 图 6-14	No	760390011	Würth Electronics / Midcom
1:1.1 ±2%	11			5 V → 5 V, 100mA, SN6505B Refer to 图 6-15 and 图 6-16		760390012	
1:1.7 ±2%				3.3 V → 5 V, 100mA, SN6505B Refer to 图 6-17 and 图 6-18		760390013	
1:1.3 ±2%				3.3 V → 3.3 V, 100mA, SN6505B Refer to 图 6-19 and 图 6-20	760390014		
1:1.3 ±2%				5 V → 5 V, 100mA, SN6505B Refer to 图 6-21 and 图 6-22	760390014		
1:2.1 ±2%				3.3 V → 5 V, 100mA, SN6505B Refer to 图 6-23 and 图 6-24	760390015		
1.23:1 ±2%				5 V → 3.3 V, 100mA, SN6505B	750313710		
1:1.7 ±2%			8.9	8.3 x 12.6 x 4.1	3.3 V → 3.3 V, 1A, SN6505B Refer to 图 6-25 and 图 6-26	No	
1:2.1 ±2%	3.3 V → 5 V, 1A, SN6505B Refer to 图 6-27 and 图 6-28				750316029		
1.3:1 ±2%	5 V → 3.3 V, 1A, SN6505B Refer to 图 6-29 and 图 6-30				750316030		
1:1.1 ±2%	3.3 V → 3.3 V, 1A, SN6505B 5 V → 5 V, 1A, SN6505B Refer to 图 6-11 and 图 6-12				750315371		
1:1.1 ±2%	11		9.14 x 12.7 x 7.37	3.3 V → 3.3 V, 100mA, SN6505B	Yes	750313734	
1:1.1 ±2%				5 V → 5 V, 100mA, SN6505B		750313734	
1:1.7 ±2%				3.3 V → 5 V, 100mA, SN6505B		750313769	
1:1.3 ±2%		3.3 V → 3.3 V, 100mA, SN6505B 5 V → 5 V, 100mA, SN6505B		750313638			
1:2.1 ±2%		3.3 V → 5 V, 100mA, SN6505B		750313626			
1.3:1 ±2%		5 V → 3.3 V, 100mA, SN6505B		750313638			
1:1.75 ±2%		41		12.32 x 15.41 x 11.05	3.3 V → 3.3 V, 1A, SN6505A Refer to 图 6-3 and 图 6-4	Yes	750316031
1:2 ±2%	3.3 V → 5 V, 1A, SN6505A Refer to 图 6-5 and 图 6-6		750316032				
1.3:1 ±2%	5.0 V → 3.3 V, 1A, SN6505A Refer to 图 6-7 and 图 6-8		750316033				
1:1.1 ±2%	23	12.32 x 15.41 x 11.89	3.3 V → 3.3 V, 1A, SN6505A 5 V → 5 V, 1A, SN6505A Refer to 图 6-1 and 图 6-2		750315240		
1:3.5 ±2%	9	9.14 x 12.95 x 7.62	5 V → 17.5 V, 100mA, SN6505B Refer to 图 6-31, and 图 6-32		750342879		
1:3.9 ±2%		9.17 x 12.7 x 7.62	5V → 19.5 V, 100mA, SN6505B Refer to 图 6-33, and 图 6-34		750343725		
1:3.75 ±2%	9.5	8.3 x 12.6 x 4.1	5V → 18.75 V, 100mA, SN6505B Refer to 图 6-35, and 图 6-35	No	78931812518		
1:4.75 ±2%			5V → 23.75V, 100mA, SN6505B Refer to 图 6-37, and 图 6-38		78931812523		
1:2.5 ±2%			5V → 12.5V, 200mA, SN6505B Refer to 图 6-39, and 图 6-40		78931812512		
1:3.13 ±2%			5V → 15.65V, 200mA, SN6505B Refer to 图 6-41, and 图 6-42		78931812515		
1:3.5 ±2%	16	6000	9.14 x 12.7 x 7.62	5V → 17.5V, 100mA, SN6505B Refer to 图 6-43, and 图 6-44		750320340	
1:1.3 ±3%	11	5000	10.4 x 12.2 x 6.1	3.3 V → 3.3 V, 300mA, SN6505B 5 V → 5 V, 300mA, SN6505B	No	HCT-SM-1.3-8-2	Bourns

表 9-3. Recommended Isolation Transformers Optimized for the Device (continued)

TURNS RATIO	$V \times T$ (V $\mu$ s)	ISOLATION (V <sub>RMS</sub> )	DIMENSIONS (mm)	APPLICATION	LDO <sup>(1)</sup>	ORDER NO.	MANUFACTURER
1:1.1 $\pm$ 2%	9.2	2500	7.01 x 11 x 4.19	3.3 V $\rightarrow$ 3.3 V, 150mA, SN6505B 5 V $\rightarrow$ 5 V, 150mA, SN6505B	No	EPC3668G-LF	PCA Electronics
1:1.5 $\pm$ 3%	34.4	2500	10 x 12.07 x 5.97	3.3 V $\rightarrow$ 3.3 V, 1A, SN6505A/B 5 V $\rightarrow$ 5 V, 1A, SN6505A/B	Yes	DA2303-AL	Coilcraft
1:2.2 $\pm$ 3%	21.5	2500	10 x 12.07 x 5.97	3.3 V $\rightarrow$ 5 V, 1A, SN6505A/B		DA2304-AL	

(1) For configurations with LDO, a higher voltage than the required output voltage is generated, to allow for LDO drop-out. Figures show the voltage and efficiency at the LDO input.

### 9.2.3 Application Curves

See the [节 6.7](#) and [节 6.8](#) for application curves with transformers optimized for the device, providing high efficiency and small form factor at low-cost.

## 9.2.4 System Examples

### 9.2.4.1 Higher Output Voltage Designs

The device can drive push-pull converters that provide high output voltages of up to 30 V, or bipolar outputs of up to  $\pm 15$  V. Using commercially available center-tapped transformers, with their rather low turns ratios of 0.8 to 5, requires different rectifier topologies to achieve high output voltages. 图 9-9 to 图 9-11 show some of these topologies together with their respective open-circuit output voltages.

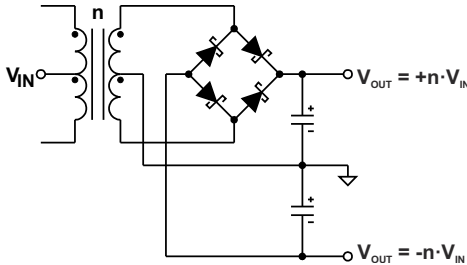


图 9-9. Bridge Rectifier With Center-Tapped Secondary Enables Bipolar Outputs

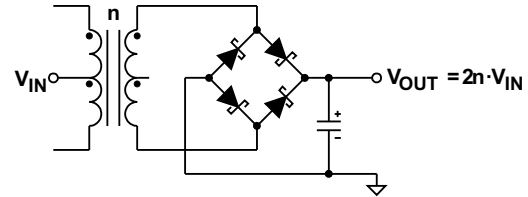


图 9-10. Bridge Rectifier Without Center-Tapped Secondary Performs Voltage Doubling

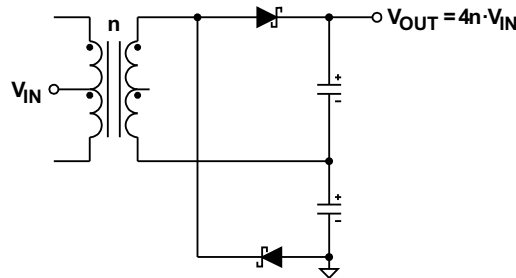


图 9-11. Half-Wave Rectifier Without Centered Ground and Center-Tapped Secondary Performs Voltage Doubling Twice, Hence Quadrupling  $V_{IN}$

### 9.2.4.2 Application Circuits

The following application circuits are shown for a 3.3 V input supply commonly taken from the local, regulated microcontroller supply. For 5 V input voltages requiring different turn ratios refer to the transformer manufacturers and their web sites listed in 表 9-4.

表 9-4. Transformer Manufacturers

MANUFACTURER	MORE INFORMATION
Coilcraft Inc.	<a href="http://www.coilcraft.com">http://www.coilcraft.com</a>
Halo-Electronics Inc.	<a href="http://www.haloelectronics.com">http://www.haloelectronics.com</a>
Murata Power Solutions	<a href="http://www.murata-ps.com">http://www.murata-ps.com</a>
Würth Electronics Midcom Inc	<a href="http://www.midcom-inc.com">http://www.midcom-inc.com</a>



## 10 Power Supply Recommendations

The device is designed to operate from an input voltage supply range between 2.5 V and 5 V nominal. This input supply must be regulated within  $\pm 10\%$ . If the input supply is located more than a few inches from the device, a 0.1  $\mu\text{F}$  by-pass capacitor should be connected as close as possible to the device  $V_{\text{CC}}$  pin and a 10  $\mu\text{F}$  capacitor should be connected close to the transformer center-tap pin.

## 11 Layout

### 11.1 Layout Guidelines

- The  $V_{IN}$  pin must be buffered to ground with a low-ESR ceramic bypass-capacitor. The recommended capacitor value can range from 1  $\mu$ F to 10  $\mu$ F. The capacitor must have a voltage rating of 10 V minimum and a X5R or X7R dielectric.
- The optimum placement is closest to the  $V_{IN}$  and GND pins at the board entrance to minimize the loop area formed by the bypass-capacitor connection, the  $V_{IN}$  terminal, and the GND pin. See [图 11-1](#) for a PCB layout example.
- The connections between the device D1 and D2 pins and the transformer primary endings, and the connection of the device  $V_{CC}$  pin and the transformer center-tap must be as close as possible for minimum trace inductance.
- The connection of the device  $V_{CC}$  pin and the transformer center-tap must be buffered to ground with a low-ESR ceramic bypass-capacitor. The recommended capacitor value can range from 1  $\mu$ F to 10  $\mu$ F. The capacitor must have a voltage rating of 16 V minimum and a X5R or X7R dielectric.
- The device GND pins must be tied to the PCB ground plane using two vias for minimum inductance.
- The ground connections of the capacitors and the ground plane should use two vias for minimum inductance.
- The rectifier diodes should be Schottky diodes with low forward voltage in the 10 mA to 100 mA current range to maximize efficiency.
- The  $V_{OUT}$  pin must be buffered to ISO-Ground with a low-ESR ceramic bypass-capacitor. The recommended capacitor value can range from 1  $\mu$ F to 10  $\mu$ F. The capacitor must have a voltage rating of 16 V minimum and a X5R or X7R dielectric.

### 11.2 Layout Example

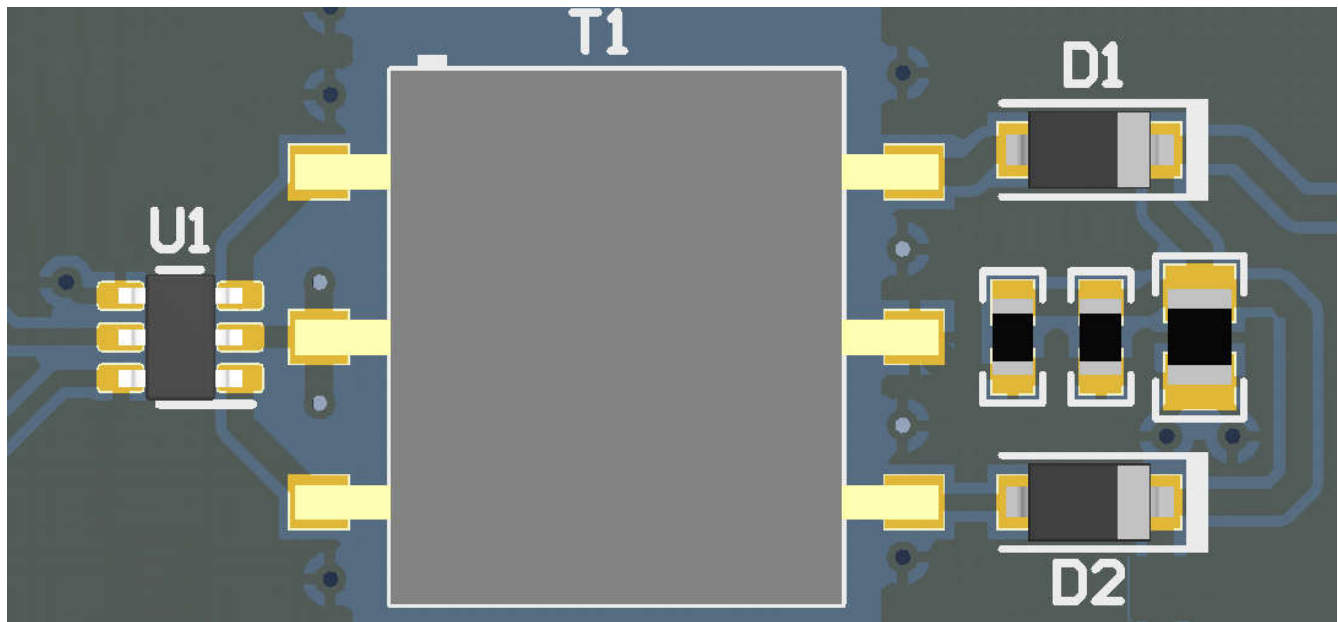


图 11-1. Layout Example of a 2-Layer Board

## 12 Device and Documentation Support

### 12.1 Device Support

### 12.2 Documentation Support

#### 12.2.1 Related Documentation

For related documentation see the following:

- Texas Instruments, [Digital Isolator Design Guide](#)
- Texas Instruments, [Isolation Glossary](#)
- Texas Instruments, [How to Isolate Signal and Power in Isolated CAN Systems TI TechNote](#)
- Texas Instruments, [Small Form-Factor Reinforced Isolated IGBT Gate Drive Reference Design for 3-Phase Inverter TI Design](#)

### 12.3 Related Links

The table below lists quick access links. Categories include technical documents, support and community resources, tools and software, and quick access to order now.

表 12-1. Related Links

PARTS	PRODUCT FOLDER	ORDER NOW	TECHNICAL DOCUMENTS	TOOLS & SOFTWARE	SUPPORT & COMMUNITY
SN6505A	<a href="#">Click here</a>	<a href="#">Click here</a>	<a href="#">Click here</a>	<a href="#">Click here</a>	<a href="#">Click here</a>
SN6505B	<a href="#">Click here</a>	<a href="#">Click here</a>	<a href="#">Click here</a>	<a href="#">Click here</a>	<a href="#">Click here</a>

### 12.4 Receiving Notification of Documentation Updates

To receive notification of documentation updates, navigate to the device product folder on ti.com. In the upper right corner, click on *Alert me* to register and receive a weekly digest of any product information that has changed. For change details, review the revision history included in any revised document.

### 12.5 Community Resources

### 12.6 Trademarks

所有商标均为其各自所有者的财产。

## 13 Mechanical, Packaging, and Orderable Information

The following pages include mechanical, packaging, and orderable information. This information is the most current data available for the designated devices. This data is subject to change without notice and revision of this document. For browser-based versions of this data sheet, refer to the left-hand navigation.

**PACKAGING INFORMATION**

Orderable part number	Status (1)	Material type (2)	Package   Pins	Package qty   Carrier	RoHS (3)	Lead finish/ Ball material (4)	MSL rating/ Peak reflow (5)	Op temp (°C)	Part marking (6)
<a href="#">SN6505ADBVR</a>	Active	Production	SOT-23 (DBV)   6	3000   LARGE T&R	Yes	NIPDAU	Level-1-260C-UNLIM	-55 to 125	(650A, 65AQ)
SN6505ADBVR.A	Active	Production	SOT-23 (DBV)   6	3000   LARGE T&R	Yes	NIPDAU	Level-1-260C-UNLIM	-55 to 125	(650A, 65AQ)
<a href="#">SN6505ADBVT</a>	Active	Production	SOT-23 (DBV)   6	250   SMALL T&R	Yes	NIPDAU	Level-1-260C-UNLIM	-55 to 125	(650A, 65AQ)
SN6505ADBVT.A	Active	Production	SOT-23 (DBV)   6	250   SMALL T&R	Yes	NIPDAU	Level-1-260C-UNLIM	-55 to 125	(650A, 65AQ)
<a href="#">SN6505BDBVR</a>	Active	Production	SOT-23 (DBV)   6	3000   LARGE T&R	Yes	NIPDAU	Level-1-260C-UNLIM	-55 to 125	(650B, 65BQ)
SN6505BDBVR.A	Active	Production	SOT-23 (DBV)   6	3000   LARGE T&R	Yes	NIPDAU	Level-1-260C-UNLIM	-55 to 125	(650B, 65BQ)
SN6505BDBVRG4	Active	Production	SOT-23 (DBV)   6	3000   LARGE T&R	Yes	NIPDAU	Level-1-260C-UNLIM	-55 to 125	65BQ
SN6505BDBVRG4.A	Active	Production	SOT-23 (DBV)   6	3000   LARGE T&R	Yes	NIPDAU	Level-1-260C-UNLIM	-55 to 125	65BQ
<a href="#">SN6505BDBVT</a>	Active	Production	SOT-23 (DBV)   6	250   SMALL T&R	Yes	NIPDAU	Level-1-260C-UNLIM	-55 to 125	(650B, 65BQ)
SN6505BDBVT.A	Active	Production	SOT-23 (DBV)   6	250   SMALL T&R	Yes	NIPDAU	Level-1-260C-UNLIM	-55 to 125	(650B, 65BQ)

(1) **Status:** For more details on status, see our [product life cycle](#).

(2) **Material type:** When designated, preproduction parts are prototypes/experimental devices, and are not yet approved or released for full production. Testing and final process, including without limitation quality assurance, reliability performance testing, and/or process qualification, may not yet be complete, and this item is subject to further changes or possible discontinuation. If available for ordering, purchases will be subject to an additional waiver at checkout, and are intended for early internal evaluation purposes only. These items are sold without warranties of any kind.

(3) **RoHS values:** Yes, No, RoHS Exempt. See the [TI RoHS Statement](#) for additional information and value definition.

(4) **Lead finish/Ball material:** Parts may have multiple material finish options. Finish options are separated by a vertical ruled line. Lead finish/Ball material values may wrap to two lines if the finish value exceeds the maximum column width.

(5) **MSL rating/Peak reflow:** The moisture sensitivity level ratings and peak solder (reflow) temperatures. In the event that a part has multiple moisture sensitivity ratings, only the lowest level per JEDEC standards is shown. Refer to the shipping label for the actual reflow temperature that will be used to mount the part to the printed circuit board.

(6) **Part marking:** There may be an additional marking, which relates to the logo, the lot trace code information, or the environmental category of the part.

Multiple part markings will be inside parentheses. Only one part marking contained in parentheses and separated by a "~" will appear on a part. If a line is indented then it is a continuation of the previous line and the two combined represent the entire part marking for that device.

**Important Information and Disclaimer:** The information provided on this page represents TI's knowledge and belief as of the date that it is provided. TI bases its knowledge and belief on information provided by third parties, and makes no representation or warranty as to the accuracy of such information. Efforts are underway to better integrate information from third parties. TI has taken and continues to take reasonable steps to provide representative

and accurate information but may not have conducted destructive testing or chemical analysis on incoming materials and chemicals. TI and TI suppliers consider certain information to be proprietary, and thus CAS numbers and other limited information may not be available for release.

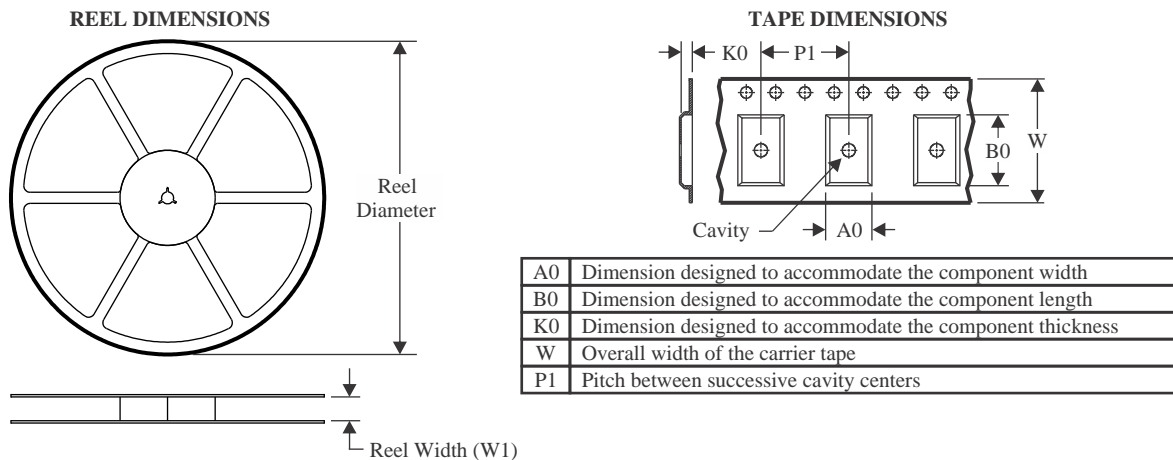
In no event shall TI's liability arising out of such information exceed the total purchase price of the TI part(s) at issue in this document sold by TI to Customer on an annual basis.

**OTHER QUALIFIED VERSIONS OF SN6505A, SN6505B :**

- Automotive : [SN6505A-Q1](#), [SN6505B-Q1](#)

NOTE: Qualified Version Definitions:

- Automotive - Q100 devices qualified for high-reliability automotive applications targeting zero defects

**TAPE AND REEL INFORMATION**

**QUADRANT ASSIGNMENTS FOR PIN 1 ORIENTATION IN TAPE**


\*All dimensions are nominal

Device	Package Type	Package Drawing	Pins	SPQ	Reel Diameter (mm)	Reel Width W1 (mm)	A0 (mm)	B0 (mm)	K0 (mm)	P1 (mm)	W (mm)	Pin1 Quadrant
SN6505ADBVR	SOT-23	DBV	6	3000	178.0	9.0	3.23	3.17	1.37	4.0	8.0	Q3
SN6505ADBVR	SOT-23	DBV	6	3000	180.0	8.4	3.2	3.2	1.4	4.0	8.0	Q3
SN6505ADBVT	SOT-23	DBV	6	250	180.0	8.4	3.2	3.2	1.4	4.0	8.0	Q3
SN6505BDBVR	SOT-23	DBV	6	3000	180.0	8.4	3.2	3.2	1.4	4.0	8.0	Q3
SN6505BDBVRG4	SOT-23	DBV	6	3000	180.0	8.4	3.2	3.2	1.4	4.0	8.0	Q3
SN6505BDBVT	SOT-23	DBV	6	250	178.0	9.0	3.23	3.17	1.37	4.0	8.0	Q3
SN6505BDBVT	SOT-23	DBV	6	250	180.0	8.4	3.2	3.2	1.4	4.0	8.0	Q3

**TAPE AND REEL BOX DIMENSIONS**


\*All dimensions are nominal

Device	Package Type	Package Drawing	Pins	SPQ	Length (mm)	Width (mm)	Height (mm)
SN6505ADBVR	SOT-23	DBV	6	3000	180.0	180.0	18.0
SN6505ADBVR	SOT-23	DBV	6	3000	210.0	185.0	35.0
SN6505ADBVT	SOT-23	DBV	6	250	210.0	185.0	35.0
SN6505BDBVR	SOT-23	DBV	6	3000	210.0	185.0	35.0
SN6505BDBVRG4	SOT-23	DBV	6	3000	210.0	185.0	35.0
SN6505BDBVT	SOT-23	DBV	6	250	180.0	180.0	18.0
SN6505BDBVT	SOT-23	DBV	6	250	210.0	185.0	35.0

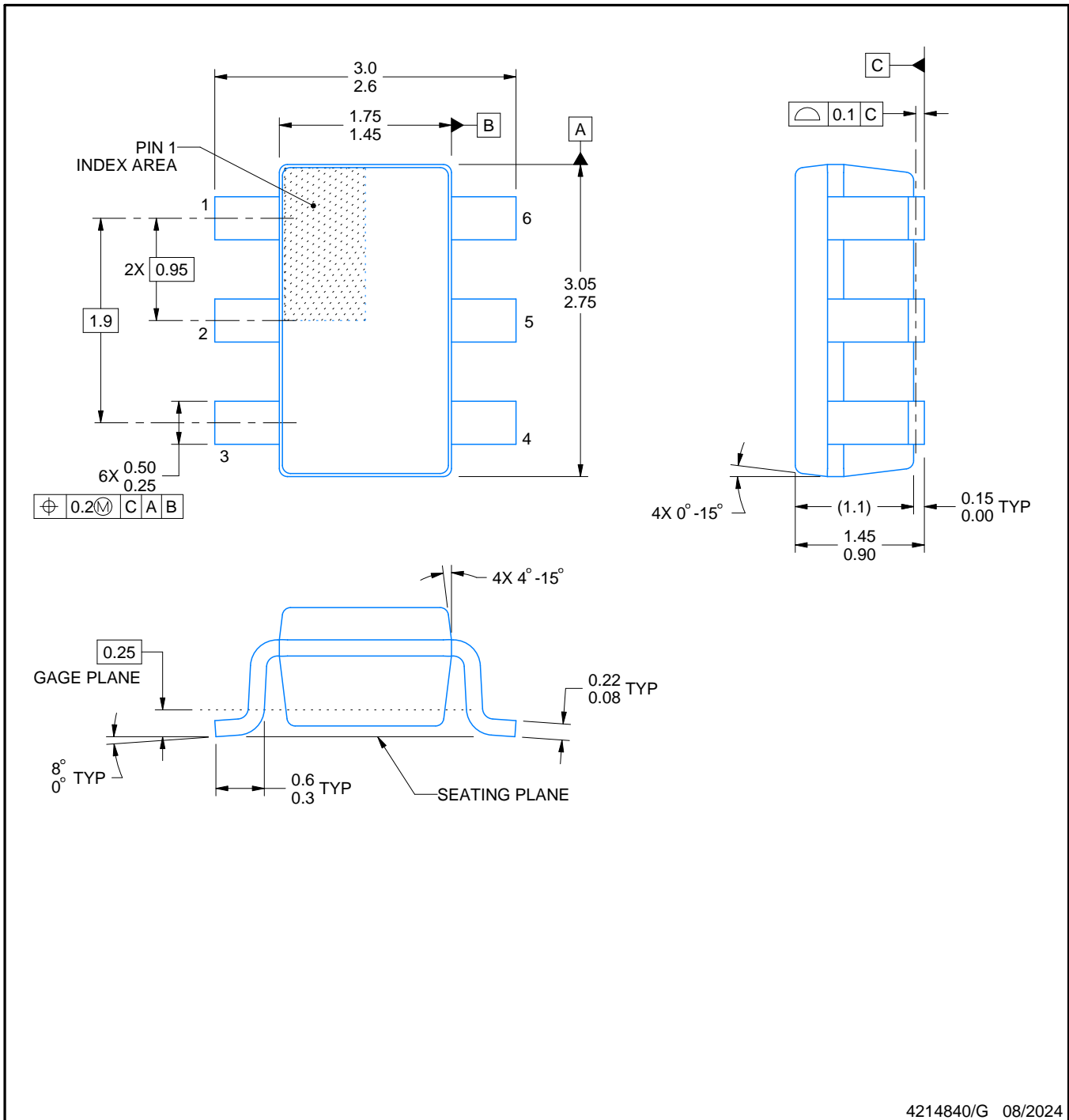
# DBV0006A



# PACKAGE OUTLINE

SOT-23 - 1.45 mm max height

SMALL OUTLINE TRANSISTOR



4214840/G 08/2024

**NOTES:**

1. All linear dimensions are in millimeters. Any dimensions in parenthesis are for reference only. Dimensioning and tolerancing per ASME Y14.5M.
2. This drawing is subject to change without notice.
3. Body dimensions do not include mold flash or protrusion. Mold flash and protrusion shall not exceed 0.25 per side.
4. Leads 1,2,3 may be wider than leads 4,5,6 for package orientation.
5. Reference JEDEC MO-178.

# EXAMPLE BOARD LAYOUT

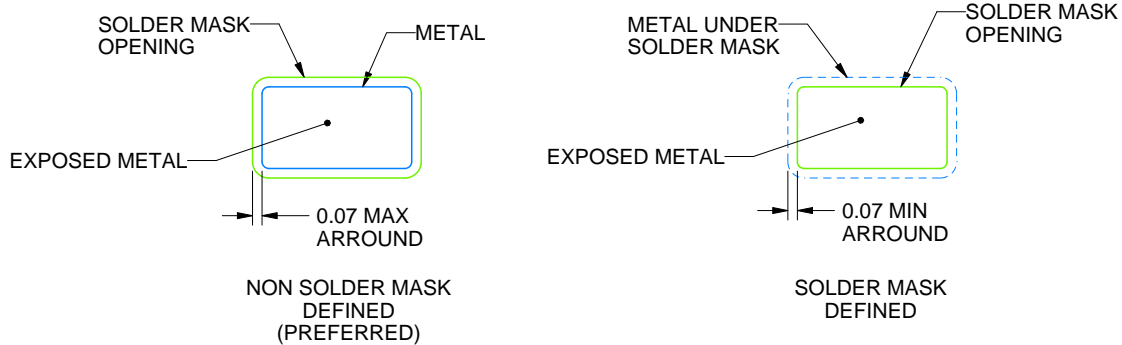
DBV0006A

SOT-23 - 1.45 mm max height

SMALL OUTLINE TRANSISTOR



LAND PATTERN EXAMPLE  
EXPOSED METAL SHOWN  
SCALE:15X



SOLDER MASK DETAILS

4214840/G 08/2024

NOTES: (continued)

6. Publication IPC-7351 may have alternate designs.

7. Solder mask tolerances between and around signal pads can vary based on board fabrication site.

# EXAMPLE STENCIL DESIGN

DBV0006A

SOT-23 - 1.45 mm max height

SMALL OUTLINE TRANSISTOR



SOLDER PASTE EXAMPLE  
BASED ON 0.125 mm THICK STENCIL  
SCALE:15X

4214840/G 08/2024

NOTES: (continued)

8. Laser cutting apertures with trapezoidal walls and rounded corners may offer better paste release. IPC-7525 may have alternate design recommendations.
9. Board assembly site may have different recommendations for stencil design.

## 重要通知和免责声明

TI“按原样”提供技术和可靠性数据（包括数据表）、设计资源（包括参考设计）、应用或其他设计建议、网络工具、安全信息和其他资源，不保证没有瑕疵且不做任何明示或暗示的担保，包括但不限于对适销性、与某特定用途的适用性或不侵犯任何第三方知识产权的暗示担保。

这些资源可供使用 TI 产品进行设计的熟练开发人员使用。您将自行承担以下全部责任：(1) 针对您的应用选择合适的 TI 产品，(2) 设计、验证并测试您的应用，(3) 确保您的应用满足相应标准以及任何其他安全、安保法规或其他要求。

这些资源如有变更，恕不另行通知。TI 授权您仅可将这些资源用于研发本资源所述的 TI 产品的相关应用。严禁以其他方式对这些资源进行复制或展示。您无权使用任何其他 TI 知识产权或任何第三方知识产权。对于因您对这些资源的使用而对 TI 及其代表造成的任何索赔、损害、成本、损失和债务，您将全额赔偿，TI 对此概不负责。

TI 提供的产品受 [TI 销售条款](#)、[TI 通用质量指南](#) 或 [ti.com](#) 上其他适用条款或 TI 产品随附的其他适用条款的约束。TI 提供这些资源并不会扩展或以其他方式更改 TI 针对 TI 产品发布的适用的担保或担保免责声明。除非德州仪器 (TI) 明确将某产品指定为定制产品或客户特定产品，否则其产品均为按确定价格收入目录的标准通用器件。

TI 反对并拒绝您可能提出的任何其他或不同的条款。

版权所有 © 2026，德州仪器 (TI) 公司

最后更新日期：2025 年 10 月