

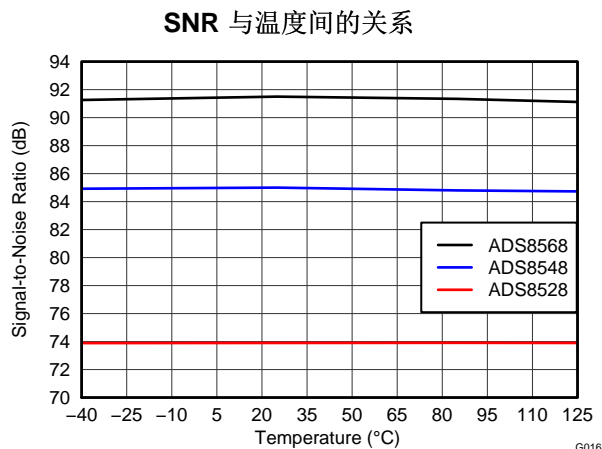
# ADS85x8 12 位、14 位和 16 位 8 通道同时采样 ADC

## 1 特性

- 12 位、14 位和 16 位 ADC 系列（各成员器件的引脚和软件彼此兼容）
- 每通道的最大数据速率：
  - ADS8528: 650kSPS (PAR) 或 480kSPS (SER)
  - ADS8548: 600kSPS (PAR) 或 450kSPS (SER)
  - ADS8568: 510kSPS (PAR) 或 400kSPS (SER)
- 出色的交流性能：
  - 信噪比：  
ADS8528: 73.9dB; ADS8548: 85dB; ADS8568: 91.5dB
  - 总谐波失真：  
ADS8528: -89dB; ADS8548: -91dB; ADS8568: -94dB
- 可编程、经缓冲的内部基准：  
0.5V–2.5V 或 0.5V–3.0V，最高支持  $\pm 12V$  的输入电压范围
- 可选并行或串行接口
- 采用自动休眠模式的可扩展低功耗操作：10kSPS 时仅为 32mW
- 可在扩展工业温度范围内完全额定运行

## 2 应用

- 保护中继器
- 电源质量测量
- 多轴电机控制
- 可编程逻辑控制器
- 工业数据采集



## 3 说明

ADS85x8 具备 8 个基于逐次逼近寄存器 (SAR) 的低功耗 12 位、14 位或 16 位模数转换器 (ADC)，每个 ADC 都配有真正的双极输入。这些通道分组为四对，能够以高达 650kSPS 的速率同时采集信号。

这些器件允许选择并行或串行接口，并且支持菊花链连接。可编程基准允许处理幅值最高可达  $\pm 12V$  的模拟输入信号。

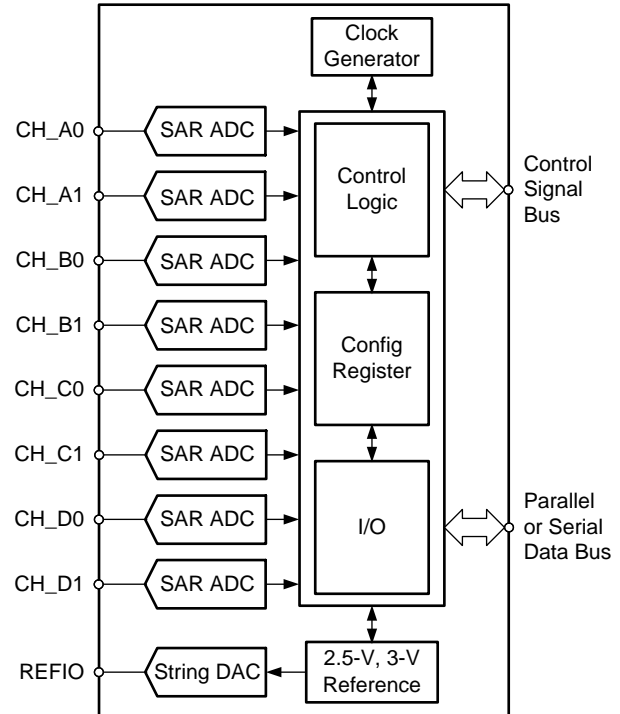
ADS85x8 系列采用 64 引脚超薄四方扁平无引线 (VQFN) 和薄型四方扁平 (LQFP) 封装，并且支持自动休眠模式，可最大限度地降低功耗。整个系列的额定工作温度范围为  $-40^{\circ}\text{C}$  至  $+125^{\circ}\text{C}$ 。

器件信息<sup>(1)</sup>

器件型号	封装	封装尺寸 (标称值)
ADS85x8	VQFN (64)	9.00mm x 9.00mm
	LQFP (64)	10.00mm x 10.00mm

(1) 要了解所有可用封装，请参见数据表末尾的可订购产品附录。

简化框图



## 目录

1 特性 .....	1	8.1 Equivalent Circuits .....	26
2 应用 .....	1	<b>9 Detailed Description</b> .....	<b>26</b>
3 说明 .....	1	9.1 Overview .....	26
4 修订历史记录 .....	2	9.2 Functional Block Diagram .....	27
<b>5 Device Comparison Table</b> .....	<b>4</b>	9.3 Feature Description .....	28
<b>6 Pin Configuration and Functions</b> .....	<b>4</b>	9.4 Device Functional Modes .....	34
<b>7 Specifications</b> .....	<b>9</b>	9.5 Register Maps .....	39
7.1 Absolute Maximum Ratings .....	9	<b>10 Application and Implementation</b> .....	<b>41</b>
7.2 ESD Ratings .....	9	10.1 Application Information .....	41
7.3 Recommended Operating Conditions .....	9	10.2 Typical Application .....	41
7.4 Thermal Information .....	9	<b>11 Power Supply Recommendations</b> .....	<b>46</b>
7.5 Electrical Characteristics: General .....	10	<b>12 Layout</b> .....	<b>46</b>
7.6 Electrical Characteristics: ADS8528 .....	13	12.1 Layout Guidelines .....	46
7.7 Electrical Characteristics: ADS8548 .....	14	12.2 Layout Example .....	47
7.8 Electrical Characteristics: ADS8568 .....	15	<b>13 器件和文档支持</b> .....	<b>48</b>
7.9 Serial Interface Timing Requirements .....	16	13.1 文档支持 .....	48
7.10 Parallel Interface Timing Requirements (Read Access) .....	17	13.2 相关链接 .....	48
7.11 Parallel Interface Timing Requirements (Write Access) .....	17	13.3 社区资源 .....	48
7.12 Typical Characteristics .....	20	13.4 商标 .....	48
<b>8 Parameter Measurement information</b> .....	<b>26</b>	13.5 静电放电警告 .....	48
		13.6 Glossary .....	48
		<b>14 机械、封装和可订购信息</b> .....	<b>48</b>

## 4 修订历史记录

注：之前版本的页码可能与当前版本有所不同。

### Changes from Revision B (November 2015) to Revision C Page

• Changed <a href="#">Figure 45</a> : changed capacitor values from 820 nF to 820 pF .....	42
--	----

### Changes from Revision A (October 2011) to Revision B Page

• 已添加 ESD 额定值表，建议运行条件表，特性 描述部分，器件功能模式部分，寄存器映射部分，应用和实施部分，电源相关建议部分，布局部分，器件和文档支持部分以及机械、封装和可订购信息部分 .....	1
• Changed title of <i>Device Comparison Table</i> , deleted footnote 1 .....	4
• Added <i>Storage temperature</i> parameter to <i>Absolute Maximum Ratings</i> table .....	9
• Changed <i>Clock cycles per conversion</i> to be a single parameter instead of part of $t_{CONV}$ parameter in <i>Serial Interface Timing Requirements</i> table .....	16
• Changed $t_{BUFS}$ parameter in <i>Serial Interface Timing Requirements</i> table .....	16
• Added footnote 3 to <i>Serial Interface Timing Requirements</i> table .....	16
• Changed <i>Clock cycles per conversion</i> to be a single parameter instead of part of $t_{CONV}$ parameter in <i>Parallel Interface Timing Requirements (Read Access)</i> table .....	17
• Changed $t_{BUCS}$ parameter in <i>Parallel Interface Timing Requirements (Read Access)</i> table .....	17
• Added footnote 3 to <i>Parallel Interface Timing Requirements (Read Access)</i> table .....	17
• Changed <i>Data Readout and BUSY/INT Signal</i> section .....	30
• Added <i>Sequential Operation</i> section .....	31
• Changed description of initiating a new conversion in <i>Reset and Power-Down Modes</i> section .....	38

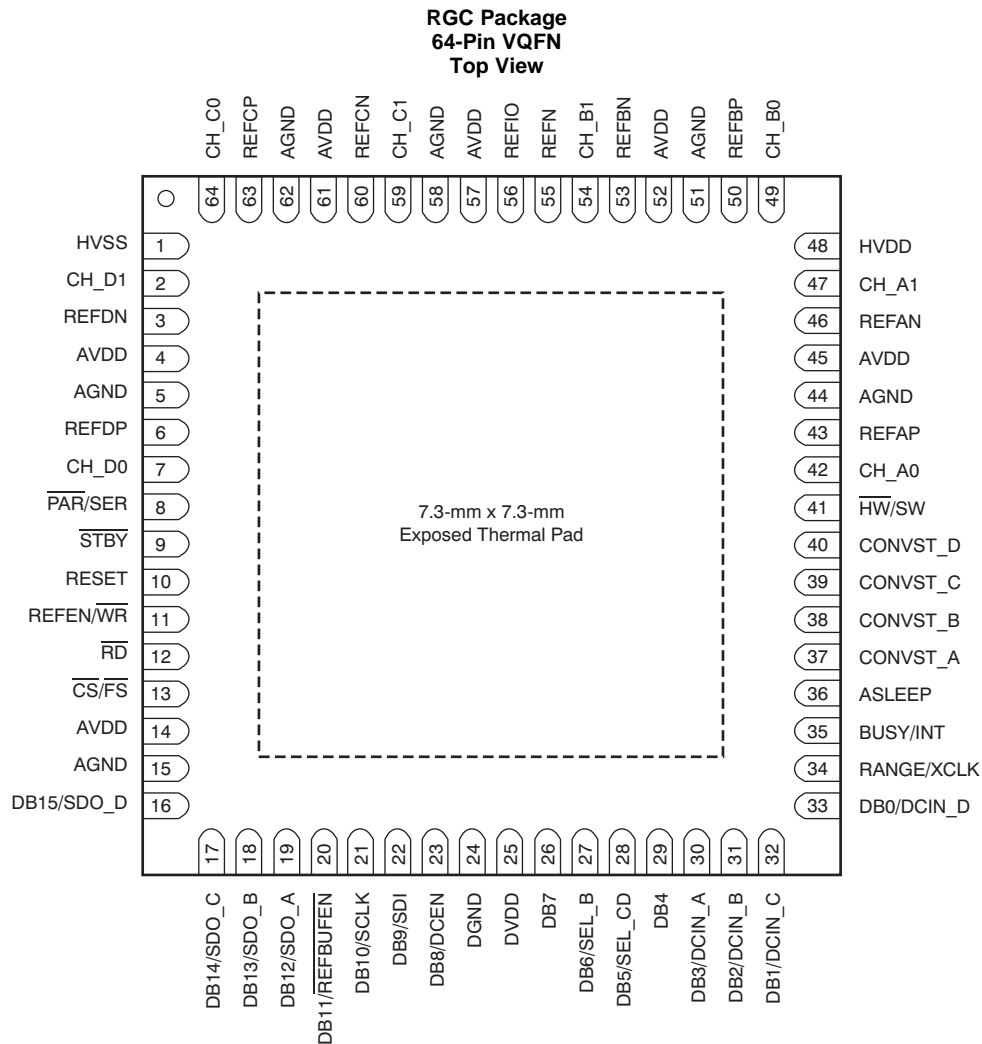
**Changes from Original (August 2011) to Revision A****Page**

- 
- Deleted INL column from Family/Ordering Information table ..... 4
  - Changed DC Accuracy, *INL* parameter in ADS8568 Electrical Characteristics table..... 15
-

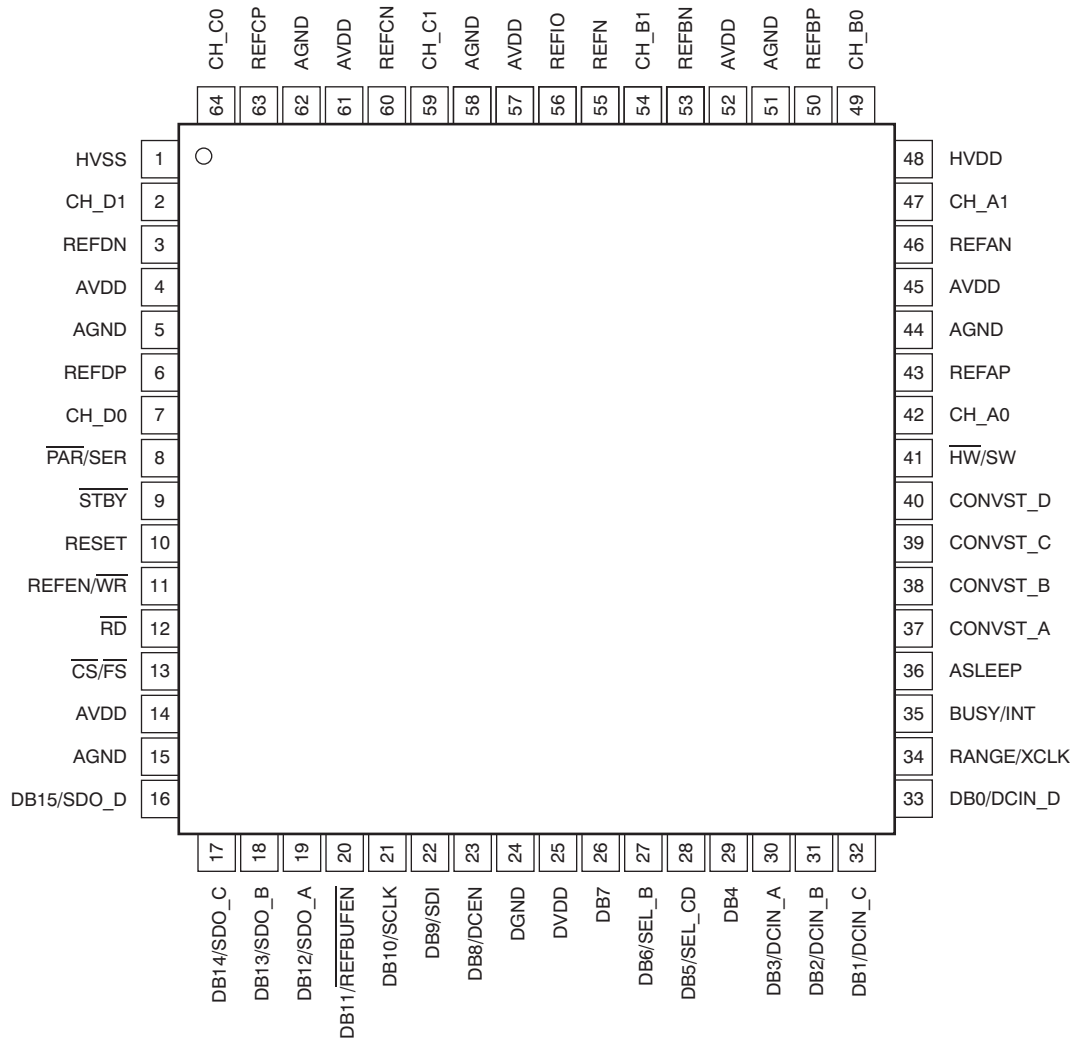
## 5 Device Comparison Table

PRODUCT	RESOLUTION (Bits)	MAXIMUM DATA RATE: PAR, SER (kSPS per Channel)	SNR (dB, Typ)	THD (dB, Typ)
<a href="#">ADS8528</a>	12	650, 480	73.9	-89
<a href="#">ADS8548</a>	14	600, 450	85	-91
<a href="#">ADS8568</a>	16	510, 400	91.5	-94

## 6 Pin Configuration and Functions



**PM Package  
64-Pin LQFP  
Top View**



### Pin Functions

PIN		TYPE <sup>(1)</sup>	DESCRIPTION	
NAME	NO.		PARALLEL INTERFACE ( $\overline{\text{PAR}}/\text{SER} = 0$ )	SERIAL INTERFACE ( $\overline{\text{PAR}}/\text{SER} = 1$ )
AGND	5, 15, 44, 51, 58, 62	P	Analog ground; connect to the analog ground plane.	
ASLEEP	36	DI	Auto-sleep enable input. When low, the device operates in normal mode. When high, the device functions in auto-sleep mode where the hold mode and the actual conversion is activated six conversion clock ( $t_{\text{CLK}}$ ) cycles after issuing a conversion start using a CONVST_x. This mode is recommended to save power if the device runs at a lower data rate; see the <a href="#">Reset and Power-Down Modes</a> section for more details.	
AVDD	4, 14, 45, 52, 57, 61	P	Analog power supply. Decouple according to the <a href="#">Power Supply Recommendations</a> section.	
BUSY/INT	35	DO	When CONFIG bit C27 = 0 (BUSY/INT), this pin is a converter busy status output. This pin transitions high when a conversion is started and transitions low for a single conversion clock cycle ( $t_{\text{CLK}}$ ) whenever a channel pair conversion is completed and stays low when the conversion of the last channel pair completes. When bit C27 = 1 (BUSY/INT in CONFIG), this pin is an interrupt output. This pin transitions high after a conversion completes and remains high until the next read access. This mode can only be used if all eight channels are sampled simultaneously (all CONVST_x tied together). The polarity of the BUSY/INT output can be changed using the C26 bit (BUSY L/H) in the Configuration register.	
CH_A0	42	AI	Analog input of channel A0; channel A is the master channel pair that is always active. The input voltage range is controlled by the RANGE pin in hardware mode or by Configuration register (CONFIG) bit C24 (RANGE_A) in software mode. In cases where channel pairs of the device are used at different data rates, channel pair A must always run at the highest data rate.	
CH_A1	47	AI	Analog input of channel A1; channel A is the master channel pair that is always active. The input voltage range is controlled by the RANGE pin in hardware mode or by CONFIG bit C24 (RANGE_A) in software mode. In cases where channel pairs of the device are used at different data rates, channel pair A must always run at the highest data rate.	
CH_B0	49	AI	Analog input of channel B0. The input voltage range is controlled by the RANGE pin in hardware mode or by CONFIG bit C23 (RANGE_B) in software mode.	
CH_B1	54	AI	Analog input of channel B1. The input voltage range is controlled by the RANGE pin in hardware mode or by CONFIG bit C23 (RANGE_B) in software mode.	
CH_C0	64	AI	Analog input of channel C0. The input voltage range is controlled by the RANGE pin in hardware mode or by CONFIG bit C21 (RANGE_C) in software mode.	
CH_C1	59	AI	Analog input of channel C1. The input voltage range is controlled by the RANGE pin in hardware mode or by CONFIG bit C21 (RANGE_C) in software mode.	
CH_D0	7	AI	Analog input of channel D0. The input voltage range is controlled by the RANGE pin in hardware mode or by CONFIG bit C19 (RANGE_D) in software mode. This pin can be powered down using CONFIG bit C18 (PD_D) in software mode.	
CH_D1	2	AI	Analog input of channel D1. The input voltage range is controlled by the RANGE pin in hardware mode or by CONFIG bit C19 (RANGE_D) in software mode. This pin can be powered down using CONFIG bit C18 (PD_D) in software mode.	
CONVST_A	37	DI	Conversion start of channel pair A. The rising edge of this signal initiates simultaneous conversion of analog signals at inputs CH_A[1:0]. This signal resets the internal channel state machine that causes the data output to start with conversion results of channel A0 with the next read access.	
CONVST_B	38	DI	Conversion start of channel pair B. The rising edge of this signal initiates simultaneous conversion of analog signals at inputs CH_B[1:0].	
CONVST_C	39	DI	Conversion start of channel pair C. The rising edge of this signal initiates simultaneous conversion of analog signals at inputs CH_C[1:0].	
CONVST_D	40	DI	Conversion start of channel pair D. The rising edge of this signal initiates simultaneous conversion of analog signals at inputs CH_D[1:0].	
$\overline{\text{CS}}/\overline{\text{FS}}$	13	DI, DI	Chip-select input. When low, the parallel interface is enabled. When high, the interface is disabled.	Frame synchronization. The $\overline{\text{FS}}$ falling edge controls the frame transfer.
DB0/DCIN_D	33	DIO, DI	Data bit 0 (LSB) input/output	When DCEN = 1 and SEL_CD = 1, this pin is the daisy-chain data input for SDO_D of the previous device in the chain. When DCEN = 0, connect to DGND.
DB1/DCIN_C	32	DIO, DI	Data bit 1 input/output	When DCEN = 1 and SEL_CD = 1, this pin is the daisy-chain data input for SDO_C of the previous device in the chain. When DCEN = 0, connect to DGND.
DB2/DCIN_B	31	DIO, DI	Data bit 2 input/output	When DCEN = 1 and SEL_B = 1, this pin is the daisy-chain data input for SDO_B of the previous device in the chain. When DCEN = 0, connect to DGND.
DB3/DCIN_A	30	DIO, DI	Data bit 3 input/output	When DCEN = 1, this pin is the daisy-chain data input for SDO_A of the previous device in the chain. When DCEN = 0, connect to DGND.

(1) AI = analog input; AIO = analog input/output; DI = digital input; DIO = digital input/output; DO = digital output; and P = power supply.

**Pin Functions (continued)**

PIN		TYPE <sup>(1)</sup>	DESCRIPTION	
NAME	NO.		PARALLEL INTERFACE ( $\overline{\text{PAR}}/\text{SER} = 0$ )	SERIAL INTERFACE ( $\overline{\text{PAR}}/\text{SER} = 1$ )
DB4	29	DIO	Data bit 4 input/output	Connect to DGND
DB5/SEL_CD	28	DIO, DI	Data bit 5 input/output	Select SDO_C and SDO_D input. When high, data from channel pair C are available on SDO_C and data from channel pair D are available on SDO_D. When low and SEL_B = 1, data from channel pairs A and C are available on SDO_A and data from channel pairs B and D are available on SDO_B. When low and SEL_B = 0, data from all eight channels are available on SDO_A.
DB6/SEL_B	27	DIO, DI	Data bit 6 input/output	Select SDO_B input. When low, SDO_B is disabled and data from all eight channels are only available through SDO_A. When high and SEL_CD = 0, data from channel pairs B and D are available on SDO_B. When SEL_CD = 1, data from channel pair B are available on SDO_B.
DB7	26	DIO	Data bit 7 input/output	Must be connected to DGND
DB8/DCEN	23	DIO, DI	Data bit 8 input/output	Daisy-chain enable input. When high, DB[3:0] serve as daisy-chain inputs DCIN_[A:D]. If daisy-chain mode is not used, connect to DGND.
DB9/SDI	22	DIO, DI	Data bit 9 input/output	Hardware mode ( $\overline{\text{HW}}/\text{SW} = 0$ ): connect to DGND. Software mode ( $\text{HW}/\text{SW} = 1$ ): serial data input.
DB10/SCLK	21	DIO, DI	Data bit 10 input/output	Serial interface clock input.
DB11/ REFBUFEN	20	DIO, DI	Data bit 11 input/output. Output is MSB for the ADS8528.	Hardware mode ( $\text{HW}/\text{SW} = 0$ ): reference buffer enable input. When low, all internal reference buffers are enabled (mandatory if internal reference is used). When high, all reference buffers are disabled. Software mode ( $\overline{\text{HW}}/\text{SW} = 1$ ): connect to DGND or DVDD. The internal reference buffers are controlled by CONFIG bit C14 (REFBUFEN).
DB12/SDO_A	19	DIO, DO	Data bit 12 input/output. Output is sign extension for the ADS8528.	Data output for channel pair A. When SEL_CD = 0, data from channel pair C are also available on this output. When SEL_CD = 0 and SEL_B = 0, SDO_A functions as single data output for all eight channels.
DB13/SDO_B	18	DIO, DO	Data bit 13 input/output. Output is sign extension for the ADS8528 and MSB for the ADS8548.	When SEL_B = 1, this pin is the data output for channel pair B. When SEL_B = 0, tie this pin to DGND. When SEL_CD = 0, data from channel pair D are also available on this output.
DB14/SDO_C	17	DIO, DO	Data bit 14 input/output. Output is sign extension for the ADS8528 and ADS8548.	When SEL_CD = 1, this pin is the data output for channel pair C. When SEL_CD = 0, tie this pin to DGND.
DB15/SDO_D	16	DIO, DO	Data bit 15 (MSB) input/output. Output is sign extension for the ADS8528 and ADS8548.	When SEL_CD = 1, this pin is the data output for channel pair D. When SEL_CD = 0, tie this pin to DGND.
DGND	24	P	Buffer I/O ground, connect to digital ground plane	
DVDD	25	P	Buffer I/O supply, connect to digital supply. Decouple according to the <a href="#">Power Supply Recommendations</a> section.	
HVDD	48	P	Positive supply voltage for the analog inputs. Decouple according to the <a href="#">Power Supply Recommendations</a> section.	
HVSS	1	P	Negative supply voltage for the analog inputs. Decouple according to the <a href="#">Power Supply Recommendations</a> section.	
$\overline{\text{HW}}/\text{SW}$	41	DI	Mode selection input. When low, hardware mode is selected and the device functions according to the settings of the external pins. When high, software mode is selected and the device is configured by writing to the Configuration register (CONFIG).	
$\overline{\text{PAR}}/\text{SER}$	8	DI	Interface mode selection input. When low, the parallel interface is selected. When high, the serial interface is enabled.	
RANGE/XCLK	34	DI/DI/DO	Hardware mode ( $\overline{\text{HW}}/\text{SW} = 0$ ): analog input voltage range select input. When low, the analog input voltage range is $\pm 4$ VREF. When high, the analog input voltage range is $\pm 2$ VREF. Software mode ( $\text{HW}/\text{SW} = 1$ ): this pin is an external conversion clock input if CONFIG bit C29 = 1 (CLKSEL); or an internal conversion clock output if CONFIG bit C28 = 1 (CLKOUT_EN). If this pin is not used, connect to DGND.	
$\overline{\text{RD}}$	12	DI/DI	Read data input. When low, the parallel data output is enabled (if $\overline{\text{CS}} = 0$ ). When high, the data output is disabled.	Must be connected to DGND.

**Pin Functions (continued)**

PIN		TYPE <sup>(1)</sup>	DESCRIPTION	
NAME	NO.		PARALLEL INTERFACE ( $\overline{\text{PAR}}/\text{SER} = 0$ )	SERIAL INTERFACE ( $\overline{\text{PAR}}/\text{SER} = 1$ )
REFAN	46	AI	Decoupling capacitor input for reference of channel pair A. Connect to the decoupling capacitor and AGND according to the <a href="#">Power Supply Recommendations</a> section.	
REFAP	43	AI	Decoupling capacitor input for reference of channel pair A. Connect to the decoupling capacitor according to the <a href="#">Power Supply Recommendations</a> section.	
REFBN	53	AI	Decoupling capacitor input for reference of channel pair B. Connect to the decoupling capacitor and AGND according to the <a href="#">Power Supply Recommendations</a> section.	
REFBP	50	AI	Decoupling capacitor input for reference of channel pair B. Connect to the decoupling capacitor according to the <a href="#">Power Supply Recommendations</a> section.	
REFCN	60	AI	Decoupling capacitor input for reference of channel pair C. Connect to the decoupling capacitor and AGND according to the <a href="#">Power Supply Recommendations</a> section.	
REFCP	63	AI	Decoupling capacitor input for reference of channel pair C. Connect to the decoupling capacitor according to the <a href="#">Power Supply Recommendations</a> section.	
REFDN	3	AI	Decoupling capacitor input for reference of channel pair D. Connect to the decoupling capacitor and AGND according to the <a href="#">Power Supply Recommendations</a> section.	
REFDP	6	AI	Decoupling capacitor input for the channel pair D reference. Connect to the decoupling capacitor according to the <a href="#">Power Supply Recommendations</a> section.	
REFEN/ $\overline{\text{WR}}$	11	DI/DI	<p>Hardware mode (<math>\overline{\text{HW}}/\text{SW} = 0</math>): internal reference enable input. When high, the internal reference is enabled (the reference buffers are also enabled). When low, the internal reference is disabled and an external reference is applied at REFIO.</p> <p>Software mode (<math>\overline{\text{HW}}/\text{SW} = 1</math>): write input. The parallel data input is enabled when <math>\overline{\text{CS}}</math> and <math>\overline{\text{WR}}</math> are low. The internal reference is enabled by CONFIG bit C15 (REFEN).</p>	<p>Hardware mode (<math>\overline{\text{HW}}/\text{SW} = 0</math>): internal reference enable input. When high, the internal reference is enabled (the reference buffers are also enabled). When low, the internal reference is disabled and an external reference is applied at REFIO.</p> <p>Software mode (<math>\overline{\text{HW}}/\text{SW} = 1</math>): connect to DGND or DVDD. The internal reference is enabled by CONFIG bit C15 (REFEN).</p>
REFIO	56	AIO	Reference voltage input/output. The internal reference is enabled by the REFEN/ $\overline{\text{WR}}$ pin in hardware mode or by CONFIG bit C15 (REFEN) in software mode. The output value is controlled by the internal digital-to-analog converter (DAC), CONFIG bits C[9:0]. Connect to a decoupling capacitor according to the <a href="#">Power Supply Recommendations</a> section.	
REFN	55	AI	Negative reference input/output pin. Connect to a decoupling capacitor and AGND according to the <a href="#">Power Supply Recommendations</a> section.	
RESET	10	DI	Reset input, active high. This pin aborts any ongoing conversions and resets the internal Configuration register (CONFIG) to 000003FFh. A valid reset pulse must be at least 50 ns long.	
$\overline{\text{STBY}}$	9	DI	<p>Hardware mode (<math>\overline{\text{HW}}/\text{SW} = 0</math>): standby mode input. When low, the entire device is powered down (including the internal conversion clock source and reference). When high, the device operates in normal mode.</p> <p>Software mode (<math>\overline{\text{HW}}/\text{SW} = 1</math>): connect to DGND or DVDD. The standby mode can be activated using CONFIG bit C25 (<math>\overline{\text{STBY}}</math>).</p>	



## 7 Specifications

### 7.1 Absolute Maximum Ratings

over operating free-air temperature range (unless otherwise noted)<sup>(1)</sup>

		MIN	MAX	UNIT
Supply voltage	HVDD to AGND	-0.3	18	V
	HVSS to AGND	-18	0.3	
	AVDD to AGND	-0.3	6	
	DVDD to DGND	-0.3	6	
Analog input voltage		HVSS - 0.3	HVDD + 0.3	V
Reference input voltage with respect to AGND		AGND - 0.3	AVDD + 0.3	V
Digital input voltage with respect to DGND		DGND - 0.3	DVDD + 0.3	V
Ground voltage difference AGND to DGND			±0.3	V
Input current to all pins except supply			±10	mA
Maximum virtual junction temperature, T <sub>J</sub>			150	°C
Storage temperature, T <sub>stg</sub>		-65	150	°C

(1) Stresses beyond those listed under *Absolute Maximum Ratings* may cause permanent damage to the device. These are stress ratings only, which do not imply functional operation of the device at these or any other conditions beyond those indicated under *Recommended Operating Conditions*. Exposure to absolute-maximum-rated conditions for extended periods may affect device reliability.

### 7.2 ESD Ratings

			VALUE	UNIT
V <sub>(ESD)</sub>	Electrostatic discharge	Human-body model (HBM), per ANSI/ESDA/JEDEC JS-001 <sup>(1)</sup>	±2500	V
		Charged-device model (CDM), per JEDEC specification JESD22-C101 <sup>(2)</sup>	±500	

(1) JEDEC document JEP155 states that 500-V HBM allows safe manufacturing with a standard ESD control process.

(2) JEDEC document JEP157 states that 250-V CDM allows safe manufacturing with a standard ESD control process.

### 7.3 Recommended Operating Conditions

over operating free-air temperature range (unless otherwise noted)

		MIN	NOM	MAX	UNIT
AVDD	Analog supply voltage	4.5	5.0	5.5	V
DVDD	Buffer I/O supply voltage	2.7	3.3	5.5	V
HVDD	Input positive supply voltage	5.0	15.0	16.5	V
HVSS	Input negative supply voltage	-16.5	-15.0	-5.0	V
T <sub>A</sub>	Operating ambient temperature range	-40	25	125	°C

### 7.4 Thermal Information

THERMAL METRIC <sup>(1)</sup>		ADS85x8		UNIT
		RGC (VQFN)	PM (LQFP)	
		64 PINS	64 PINS	
R <sub>θJA</sub>	Junction-to-ambient thermal resistance	22	48.5	°C/W
R <sub>θJC(top)</sub>	Junction-to-case (top) thermal resistance	9.0	9.4	°C/W
R <sub>θJB</sub>	Junction-to-board thermal resistance	3.6	21.9	°C/W
ψ <sub>JT</sub>	Junction-to-top characterization parameter	0.1	0.3	°C/W
ψ <sub>JB</sub>	Junction-to-board characterization parameter	2.9	21.4	°C/W
R <sub>θJC(bot)</sub>	Junction-to-case (bottom) thermal resistance	0.3	n/a	°C/W

(1) For more information about traditional and new thermal metrics, see the *Semiconductor and IC Package Thermal Metrics* application report, [SPRA953](#).

## 7.5 Electrical Characteristics: General

All minimum and maximum specifications are at  $T_A = -40^\circ\text{C}$  to  $+125^\circ\text{C}$ , specified supply voltage range,  $V_{REF} = 2.5\text{ V}$  (internal),  $V_{IN} = \pm 10\text{ V}$ , and  $f_{DATA} = \text{max}$ , unless otherwise noted. Typical values are at  $T_A = 25^\circ\text{C}$ ,  $HVDD = 15\text{ V}$ ,  $HVSS = -15\text{ V}$ ,  $AVDD = 5\text{ V}$ , and  $DVDD = 3.3\text{ V}$ .

PARAMETER		TEST CONDITIONS	MIN	TYP	MAX	UNIT
<b>ANALOG INPUT</b>						
CHXX	Bipolar full-scale range	RANGE pin, RANGE bit = 0	-4 VREF		4 VREF	V
		RANGE pin, RANGE bit = 1	-2 VREF		2 VREF	
	Input capacitance	Input range = $\pm 4\text{ VREF}$		10		pF
		Input range = $\pm 2\text{ VREF}$		20		
	Input leakage current	No ongoing conversion	-1		1	$\mu\text{A}$
	Aperture delay			5		ns
	Aperture delay matching	Common CONVST for all channels		100		ps
	Aperture jitter			50		ps
PSRR	Power-supply rejection ratio	At output code FFFFh, related to HVDD and HVSS		-78		dB
<b>REFERENCE VOLTAGE OUTPUT (REF<sub>OUT</sub>)</b>						
VREF	Reference voltage	2.5-V operation, REF <sub>DAC</sub> = 3FFh	2.485	2.5	2.515	V
		2.5-V operation, REF <sub>DAC</sub> = 3FFh at 25°C	2.496	2.5	2.504	
		3.0-V operation, REF <sub>DAC</sub> = 3FFh	2.985	3.0	3.015	
		3.0-V operation, REF <sub>DAC</sub> = 3FFh at 25°C	2.995	3.0	3.005	
dVREF/dT	Reference voltage drift		$\pm 10$			ppm/°C
PSRR	Power-supply rejection ratio	At output code FFFFh, related to AVDD		-77		dB
I <sub>REF<sub>OUT</sub></sub>	Output current	At dc current	-2		2	mA
I <sub>REF<sub>SC</sub></sub>	Short-circuit current <sup>(1)</sup>			50		mA
t <sub>REF<sub>ON</sub></sub>	Turn-on settling time			10		ms
	External load capacitance	At REF <sub>xP</sub> , REF <sub>xN</sub> pins	4.7	10		$\mu\text{F}$
		At REF <sub>IO</sub> pin	100	470		nF
REF <sub>DAC</sub>	Tuning range	Internal reference output voltage range	0.2 VREF		VREF	V
	REF <sub>DAC</sub> resolution		10			Bits
DNL <sub>DAC</sub>	REF <sub>DAC</sub> differential nonlinearity		-1	$\pm 0.1$	1	LSB
INL <sub>DAC</sub>	REF <sub>DAC</sub> integral nonlinearity		-2	$\pm 0.1$	2	LSB
V <sub>OSDAC</sub>	REF <sub>DAC</sub> offset error	VREF = 0.5 V (DAC = 0CDh)	-4	$\pm 0.65$	4	LSB
<b>REFERENCE VOLTAGE INPUT (REF<sub>IN</sub>)</b>						
VREF <sub>IN</sub>	Reference input voltage		0.5	2.5	3.025	V
	Input resistance			100		M $\Omega$
	Input capacitance			5		pF
	Reference input current				1	$\mu\text{A}$
<b>DIGITAL INPUTS<sup>(2)</sup> (CMOS with Schmitt-Trigger Logic Family)</b>						
	High-level input voltage		0.7 DVDD		DVDD + 0.3	V
	Low-level input voltage		DGND - 0.3		0.3 DVDD	V
	Input current	V <sub>I</sub> = DVDD to DGND	-50		50	nA
	Input capacitance			5		pF
<b>DIGITAL OUTPUTS<sup>(2)</sup></b>						
	Output capacitance			5		pF
	Load capacitance				30	pF
	High-impedance-state output current		-50		50	nA
	Logic family			CMOS		
V <sub>OH</sub>	High-level output voltage	I <sub>OH</sub> = 100 $\mu\text{A}$	DVDD - 0.6			V
V <sub>OL</sub>	Low-level output voltage	I <sub>OH</sub> = -100 $\mu\text{A}$			DGND + 0.4	V

(1) Reference output current is not limited internally.

(2) Specified by design.

**Electrical Characteristics: General (continued)**

All minimum and maximum specifications are at  $T_A = -40^\circ\text{C}$  to  $+125^\circ\text{C}$ , specified supply voltage range,  $V_{REF} = 2.5\text{ V}$  (internal),  $V_{IN} = \pm 10\text{ V}$ , and  $f_{DATA} = \text{max}$ , unless otherwise noted. Typical values are at  $T_A = 25^\circ\text{C}$ ,  $HVDD = 15\text{ V}$ ,  $HVSS = -15\text{ V}$ ,  $AVDD = 5\text{ V}$ , and  $DVDD = 3.3\text{ V}$ .

PARAMETER		TEST CONDITIONS	MIN	TYP	MAX	UNIT
<b>POWER-SUPPLY REQUIREMENTS</b>						
AVDD	Analog supply voltage		4.5	5.0	5.5	V
DVDD	Buffer I/O supply voltage		2.7	3.3	5.5	V
HVDD	Input positive supply voltage		5.0	15.0	16.5	V
HVSS	Input negative supply voltage		-16.5	-15.0	-5.0	V
IAVDD	Analog supply current	ADS8528, $f_{DATA} = \text{maximum}$		37.9	50.1	mA
		ADS8548, $f_{DATA} = \text{maximum}$		37.3	49.3	
		ADS8568, $f_{DATA} = \text{maximum}$		36.6	48.4	
		$f_{DATA} = 250\text{ kSPS}$ , auto-sleep mode		20.3	30.0	
		$f_{DATA} = 200\text{ kSPS}$ , auto-sleep mode		17		
		$f_{DATA} = 10\text{ kSPS}$ , normal operation		30		
		$f_{DATA} = 10\text{ kSPS}$ , auto-sleep mode		4.6		
		Auto-sleep mode, no ongoing conversion, internal conversion clock			7.0	
	Power-down mode			0.03		
IDVDD	Buffer I/O supply current	$f_{DATA} = \text{maximum}$		0.5	2.0	mA
		$f_{DATA} = 250\text{ kSPS}$		0.5	1.4	
		$f_{DATA} = 200\text{ kSPS}$		0.5		
		$f_{DATA} = 10\text{ kSPS}$		0.4		
		Auto-sleep mode, no ongoing conversion, internal conversion clock			0.35	
		Power-down mode			0.01	
IHVDD	Input positive supply current	ADS8528, $f_{DATA} = \text{maximum}$		3.0	4.2	mA
		ADS8548, $f_{DATA} = \text{maximum}$		2.8	3.9	
		ADS8568, $f_{DATA} = \text{maximum}$		2.3	3.2	
		$f_{DATA} = 250\text{ kSPS}$		1.8	2.4	
		$f_{DATA} = 200\text{ kSPS}$		1.5		
		$f_{DATA} = 10\text{ kSPS}$		0.4		
		Auto-sleep mode, no ongoing conversion, internal conversion clock			0.45	
		Power-down mode			0.01	

**Electrical Characteristics: General (continued)**

All minimum and maximum specifications are at  $T_A = -40^\circ\text{C}$  to  $+125^\circ\text{C}$ , specified supply voltage range,  $V_{REF} = 2.5\text{ V}$  (internal),  $V_{IN} = \pm 10\text{ V}$ , and  $f_{DATA} = \text{max}$ , unless otherwise noted. Typical values are at  $T_A = 25^\circ\text{C}$ ,  $HVDD = 15\text{ V}$ ,  $HVSS = -15\text{ V}$ ,  $AVDD = 5\text{ V}$ , and  $DVDD = 3.3\text{ V}$ .

PARAMETER		TEST CONDITIONS	MIN	TYP	MAX	UNIT	
<b>POWER-SUPPLY REQUIREMENTS (continued)</b>							
IHVSS	Input negative supply current	ADS8528, $f_{DATA} = \text{maximum}$		3.4	4.5	mA	
		ADS8548, $f_{DATA} = \text{maximum}$		3.3	4.4		
		ADS8568, $f_{DATA} = \text{maximum}$		2.7	3.6		
		$f_{DATA} = 250\text{ kSPS}$		2.1	2.6		
		$f_{DATA} = 200\text{ kSPS}$		1.7			
		$f_{DATA} = 10\text{ kSPS}$		0.4			
		Auto-sleep mode, no ongoing conversion, internal conversion clock					0.35
		Power-down mode					0.01
Power dissipation <sup>(3)</sup>		ADS8528, $f_{DATA} = \text{maximum}$		287.1	430.1	mW	
		ADS8548, $f_{DATA} = \text{maximum}$		279.7	419.1		
		ADS8568, $f_{DATA} = \text{maximum}$		259.7	389.4		
		$f_{DATA} = 250\text{ kSPS}$ , auto-sleep mode		161.7	255.2		
		$f_{DATA} = 200\text{ kSPS}$ , auto-sleep mode		151.2			
		$f_{DATA} = 10\text{ kSPS}$ , normal operation		163.3			
		$f_{DATA} = 10\text{ kSPS}$ , auto-sleep mode		36.3			
		Auto-sleep mode, no ongoing conversion, internal conversion clock					53.6
Power-down mode				0.6			

(3) Maximum power dissipation values are specified with  $HVDD = 15\text{ V}$  and  $HVSS = -15\text{ V}$ .

## 7.6 Electrical Characteristics: ADS8528

All minimum and maximum specifications are at  $T_A = -40^\circ\text{C}$  to  $+125^\circ\text{C}$ , specified supply voltage range,  $V_{REF} = 2.5\text{ V}$  (internal),  $V_{IN} = \pm 10\text{ V}$ , and  $f_{DATA} = \text{max}$ , unless otherwise noted. Typical values are at  $T_A = 25^\circ\text{C}$ ,  $HVDD = 15\text{ V}$ ,  $HVSS = -15\text{ V}$ ,  $AVDD = 5\text{ V}$ , and  $DVDD = 3.3\text{ V}$ .

PARAMETER		TEST CONDITIONS	MIN	TYP	MAX	UNIT
<b>SAMPLING DYNAMICS</b>						
	Conversion time	Internal conversion clock			1.33	$\mu\text{s}$
$f_{DATA}$	Throughput rate	Serial interface, all four SDOx active			480	kSPS
		Parallel interface			650	
<b>DC ACCURACY</b>						
	Resolution			12		Bits
	No missing codes		12			Bits
INL	Integral linearity error <sup>(1)</sup>		-0.75	$\pm 0.2$	0.75	LSB
DNL	Differential linearity error		-0.5	$\pm 0.2$	0.5	LSB
	Offset error		-1.5	$\pm 0.5$	1.5	mV
	Offset error matching		-0.65		0.65	mV
	Offset error drift			$\pm 3.5$		$\mu\text{V}/^\circ\text{C}$
	Gain error	Referenced to voltage at REFIO	-0.5%	$\pm 0.25\%$	0.5%	
	Gain error matching	Between channels of any pair	-0.2%		0.2%	
		Between any two channels	-0.4%		0.4%	
	Gain error drift	Referenced to voltage at REFIO		$\pm 6$		ppm/ $^\circ\text{C}$
<b>AC ACCURACY</b>						
SNR	Signal-to-noise ratio	At $f_{IN} = 10\text{ kHz}$	73	73.9		dB
SINAD	Signal-to-noise ratio + distortion	At $f_{IN} = 10\text{ kHz}$	73	73.8		dB
THD	Total harmonic distortion <sup>(2)</sup>	At $f_{IN} = 10\text{ kHz}$		-89	-84	dB
SFDR	Spurious-free dynamic range	At $f_{IN} = 10\text{ kHz}$	84	92		dB
	Channel-to-channel isolation	At $f_{IN} = 10\text{ kHz}$		120		dB
BW	-3-dB small-signal bandwidth	In 4-VREF mode		48		MHz
		In 2-VREF mode		24		

- (1) Integral nonlinearity is defined as the maximum deviation from a straight line passing through the end-points of the ideal ADC transfer function expressed as the number of LSBs or percentage of the specified full-scale range.
- (2) Calculated on the first nine harmonics of the input frequency.

## 7.7 Electrical Characteristics: ADS8548

All minimum and maximum specifications are at  $T_A = -40^\circ\text{C}$  to  $+125^\circ\text{C}$ , specified supply voltage range,  $V_{REF} = 2.5\text{ V}$  (internal),  $V_{IN} = \pm 10\text{ V}$ , and  $f_{DATA} = \text{max}$ , unless otherwise noted. Typical values are at  $T_A = 25^\circ\text{C}$ ,  $HVDD = 15\text{ V}$ ,  $HVSS = -15\text{ V}$ ,  $AVDD = 5\text{ V}$ , and  $DVDD = 3.3\text{ V}$ .

PARAMETER		TEST CONDITIONS	MIN	TYP	MAX	UNIT
<b>SAMPLING DYNAMICS</b>						
	Conversion time	Internal conversion clock			1.45	$\mu\text{s}$
$f_{DATA}$	Throughput rate	Serial interface, all four SDOx active			450	kSPS
		Parallel interface			600	
<b>DC ACCURACY</b>						
	Resolution			14		Bits
	No missing codes		14			Bits
INL	Integral linearity error <sup>(1)</sup>		-1	$\pm 0.5$	1	LSB
DNL	Differential linearity error		-1	$\pm 0.25$	1	LSB
	Offset error		-1.5	$\pm 0.5$	1.5	mV
	Offset error matching		-0.65		0.65	mV
	Offset error drift			$\pm 3.5$		$\mu\text{V}/^\circ\text{C}$
	Gain error	Referenced to voltage at REFIO	-0.5%	$\pm 0.25\%$	0.5%	
	Gain error matching	Between channels of any pair	-0.2%		0.2%	
		Between any two channels	-0.4%		0.4%	
	Gain error drift	Referenced to voltage at REFIO		$\pm 6$		ppm/ $^\circ\text{C}$
<b>AC ACCURACY</b>						
SNR	Signal-to-noise ratio	At $f_{IN} = 10\text{ kHz}$	84	85		dB
SINAD	Signal-to-noise ratio + distortion	At $f_{IN} = 10\text{ kHz}$	83	84		dB
THD	Total harmonic distortion <sup>(2)</sup>	At $f_{IN} = 10\text{ kHz}$		-91	-86	dB
SFDR	Spurious-free dynamic range	At $f_{IN} = 10\text{ kHz}$	86	92		dB
	Channel-to-channel isolation	At $f_{IN} = 10\text{ kHz}$		120		dB
BW	-3-dB small-signal bandwidth	In 4-VREF mode		48		MHz
		In 2-VREF mode		24		

- (1) Integral nonlinearity is defined as the maximum deviation from a straight line passing through the end-points of the ideal ADC transfer function expressed as the number of LSBs or percentage of the specified full-scale range.
- (2) Calculated on the first nine harmonics of the input frequency.

## 7.8 Electrical Characteristics: ADS8568

All minimum and maximum specifications are at  $T_A = -40^{\circ}\text{C}$  to  $+125^{\circ}\text{C}$ , specified supply voltage range,  $V_{REF} = 2.5\text{ V}$  (internal),  $V_{IN} = \pm 10\text{ V}$ , and  $f_{DATA} = \text{max}$ , unless otherwise noted. Typical values are at  $T_A = 25^{\circ}\text{C}$ ,  $HVDD = 15\text{ V}$ ,  $HVSS = -15\text{ V}$ ,  $AVDD = 5\text{ V}$ , and  $DVDD = 3.3\text{ V}$ .

PARAMETER		TEST CONDITIONS	MIN	TYP	MAX	UNIT
<b>SAMPLING DYNAMICS</b>						
	Conversion time	Internal conversion clock			1.7	$\mu\text{s}$
$f_{DATA}$	Throughput rate	Serial interface, all four SDOx active			400	kSPS
		Parallel interface			510	
<b>DC ACCURACY</b>						
	Resolution			16		Bits
	No missing codes		16			Bits
INL	Integral linearity error <sup>(1)</sup>	At $T_A = -40^{\circ}\text{C}$ to $+85^{\circ}\text{C}$ , VQFN package (RGC)	-3	$\pm 1.5$	3	LSB
		At $T_A = -40^{\circ}\text{C}$ to $+125^{\circ}\text{C}$ , VQFN package (RGC)	-4	$\pm 1.5$	4	
		At $T_A = -40^{\circ}\text{C}$ to $+85^{\circ}\text{C}$ , LQFP package (PM)	-4	$\pm 1.5$	4	
		At $T_A = -40^{\circ}\text{C}$ to $+125^{\circ}\text{C}$ , LQFP package (PM)	-4.5	$\pm 1.5$	4.5	
DNL	Differential linearity error	At $T_A = -40^{\circ}\text{C}$ to $+85^{\circ}\text{C}$	-1	$\pm 0.75$	1.75	LSB
		At $T_A = -40^{\circ}\text{C}$ to $+125^{\circ}\text{C}$	-1	$\pm 0.75$	2	
	Offset error		-1.5	$\pm 0.5$	1.5	mV
	Offset error matching		-0.65		0.65	mV
	Offset error drift			$\pm 3.5$		$\mu\text{V}/^{\circ}\text{C}$
	Gain error	Referenced to voltage at REFIO	-0.5%	$\pm 0.25\%$	0.5%	
	Gain error matching	Between channels of any pair	-0.2%		0.2%	
		Between any two channels	-0.4%		0.4%	
	Gain error drift	Referenced to voltage at REFIO		$\pm 6$		ppm/ $^{\circ}\text{C}$
<b>AC ACCURACY</b>						
SNR	Signal-to-noise ratio	At $f_{IN} = 10\text{ kHz}$ , $T_A = -40^{\circ}\text{C}$ to $+85^{\circ}\text{C}$	90	91.5		dB
		At $f_{IN} = 10\text{ kHz}$ , $T_A = -40^{\circ}\text{C}$ to $+125^{\circ}\text{C}$	89	91.5		
SINAD	Signal-to-noise ratio + distortion	At $f_{IN} = 10\text{ kHz}$ , $T_A = -40^{\circ}\text{C}$ to $+85^{\circ}\text{C}$	87	90		dB
		At $f_{IN} = 10\text{ kHz}$ , $T_A = -40^{\circ}\text{C}$ to $+125^{\circ}\text{C}$	86.5	90		
THD	Total harmonic distortion <sup>(2)</sup>	At $f_{IN} = 10\text{ kHz}$ , $T_A = -40^{\circ}\text{C}$ to $+85^{\circ}\text{C}$		-94	-90	dB
		At $f_{IN} = 10\text{ kHz}$ , $T_A = -40^{\circ}\text{C}$ to $+125^{\circ}\text{C}$		-94	-89.5	
SFDR	Spurious-free dynamic range	At $f_{IN} = 10\text{ kHz}$ , $T_A = -40^{\circ}\text{C}$ to $+85^{\circ}\text{C}$	90	95		dB
		At $f_{IN} = 10\text{ kHz}$ , $T_A = -40^{\circ}\text{C}$ to $+125^{\circ}\text{C}$	89.5	95		
	Channel-to-channel isolation	At $f_{IN} = 10\text{ kHz}$		120		dB
BW	-3-dB small-signal bandwidth	In 4-VREF mode		48		MHz
		In 2-VREF mode		24		

- (1) Integral nonlinearity is defined as the maximum deviation from a straight line passing through the end-points of the ideal ADC transfer function expressed as the number of LSBs or percentage of the specified full-scale range.
- (2) Calculated on the first nine harmonics of the input frequency.

## 7.9 Serial Interface Timing Requirements

over recommended operating free-air temperature range ( $T_A$ ),  $AVDD = 5\text{ V}$ , and  $DVDD = 2.7\text{ V}$  to  $5.5\text{ V}$  (unless otherwise noted)<sup>(1)</sup>

		MIN	NOM	MAX	UNIT
$t_{SCVX}$	CONVST_x high to XCLK rising edge setup time (CLKSEL = 1)	6			ns
$t_{XCLK}$	External conversion clock period	ADS8528	66.67		ns
		ADS8548	72.46		
		ADS8568	85.11		
	External conversion clock frequency	ADS8528	1	15.0	MHz
		ADS8548	1	13.8	
		ADS8568	1	11.75	
	External conversion clock duty cycle	40%		60%	
$t_{CVL}$	CONVST_x low time	20			ns
$t_{ACQ}$	Acquisition time	280			ns
	Clock cycles per conversion	ADS85x8, $t_{CCLK}$ or $t_{XCLK}$	19	20	Cycles
$t_{CONV}$	Conversion time	ADS8528, CLKSEL = 0		1.33	$\mu\text{s}$
		ADS8548, CLKSEL = 0		1.45	
		ADS8568, CLKSEL = 0		1.7	
$t_{DCVB}$	CONVST_x high to BUSY high delay			25	ns
$t_{BUFS}$	BUSY low to $\overline{FS}$ low time	ADS85x8, CLKSEL = 1	0		ns
		ADS8528, CLKSEL = 0 <sup>(2)</sup>	67		
		ADS8548, CLKSEL = 0 <sup>(2)</sup>	73		
		ADS8568, CLKSEL = 0 <sup>(2)</sup>	86		
$t_{FSCV}$	Bus access finished to next conversion start time	ADS8528	0		ns
		ADS8548	20		
		ADS8568	40		
$t_{SCLK}$	Serial clock period	0.022		10	$\mu\text{s}$
	Serial clock frequency	0.1		45	MHz
	Serial clock duty cycle	40%		60%	
$t_{DMSB}$	$\overline{FS}$ low to MSB valid delay			12	ns
$t_{HDO}$	Output data to SCLK falling edge hold time	5			ns
$t_{PDDO}$	SCLK falling edge to new data valid propagation delay			17	ns
$t_{DTRI}$	$\overline{FS}$ high to SDO_x three-state delay			10	ns
$t_{SUDI}$	Input data to SCLK falling edge setup time	3			ns
$t_{HDI}$	Input data to SCLK falling edge hold time	5			ns

(1) All input signals are specified with  $t_R = t_F = 1.5\text{ ns}$  (10% to 90% of  $DVDD$ ) and timed from a voltage level of  $(V_{IL} + V_{IH}) / 2$ .

(2) The device runs with an internal conversion clock. Data can be retrieved after the maximum conversion time  $t_{CONV(max)}$ , independently from the BUSY signal. When referring the data readout to the falling edge of the BUSY signal,  $t_{BUFS(min)}$  must be taken into account (see the [Data Readout and BUSY/INT Signal](#) section).



## 7.10 Parallel Interface Timing Requirements (Read Access)

over recommended operating free-air temperature range ( $T_A$ ),  $AVDD = 5\text{ V}$ , and  $DVDD = 2.7\text{ V}$  to  $5.5\text{ V}$  (unless otherwise noted)<sup>(1)</sup>

			MIN	NOM	MAX	UNIT
$t_{CVL}$	CONVST_x low time		20			ns
$t_{ACQ}$	Acquisition time		280			ns
	Clock cycles per conversion	ADS85x8, $t_{CCLK}$ or $t_{XCLK}$	19		20	Cycles
$t_{CONV}$	Conversion time	ADS8528, CLKSEL = 0			1.33	$\mu\text{s}$
		ADS8548, CLKSEL = 0			1.45	
		ADS8568, CLKSEL = 0			1.7	
$t_{DCVB}$	CONVST_x high to BUSY high delay				25	ns
$t_{BUCS}$	BUSY low to $\overline{CS}$ low time	ADS85x8, CLKSEL = 1	0			ns
		ADS8528, CLKSEL = 0 <sup>(2)</sup>	67			
		ADS8548, CLKSEL = 0 <sup>(2)</sup>	73			
		ADS8568, CLKSEL = 0 <sup>(2)</sup>	86			
$t_{CSCV}$	Bus access finished to next conversion start time <sup>(3)</sup>	ADS8528	0			ns
		ADS8548	20			
		ADS8568	40			
$t_{CSRd}$	$\overline{CS}$ low to $\overline{RD}$ low time		0			ns
$t_{RDcS}$	$\overline{RD}$ high to $\overline{CS}$ high time		0			ns
$t_{RDl}$	$\overline{RD}$ pulse duration		20			ns
$t_{RDh}$	Minimum time between two read accesses		2			ns
$t_{PDdO}$	$\overline{RD}$ or $\overline{CS}$ falling edge to data valid propagation delay				15	ns
$t_{HD0}$	Output data to $\overline{RD}$ or $\overline{CS}$ rising edge hold time		5			ns
$t_{DTRI}$	$\overline{CS}$ high to DB[15:0] three-state delay				10	ns

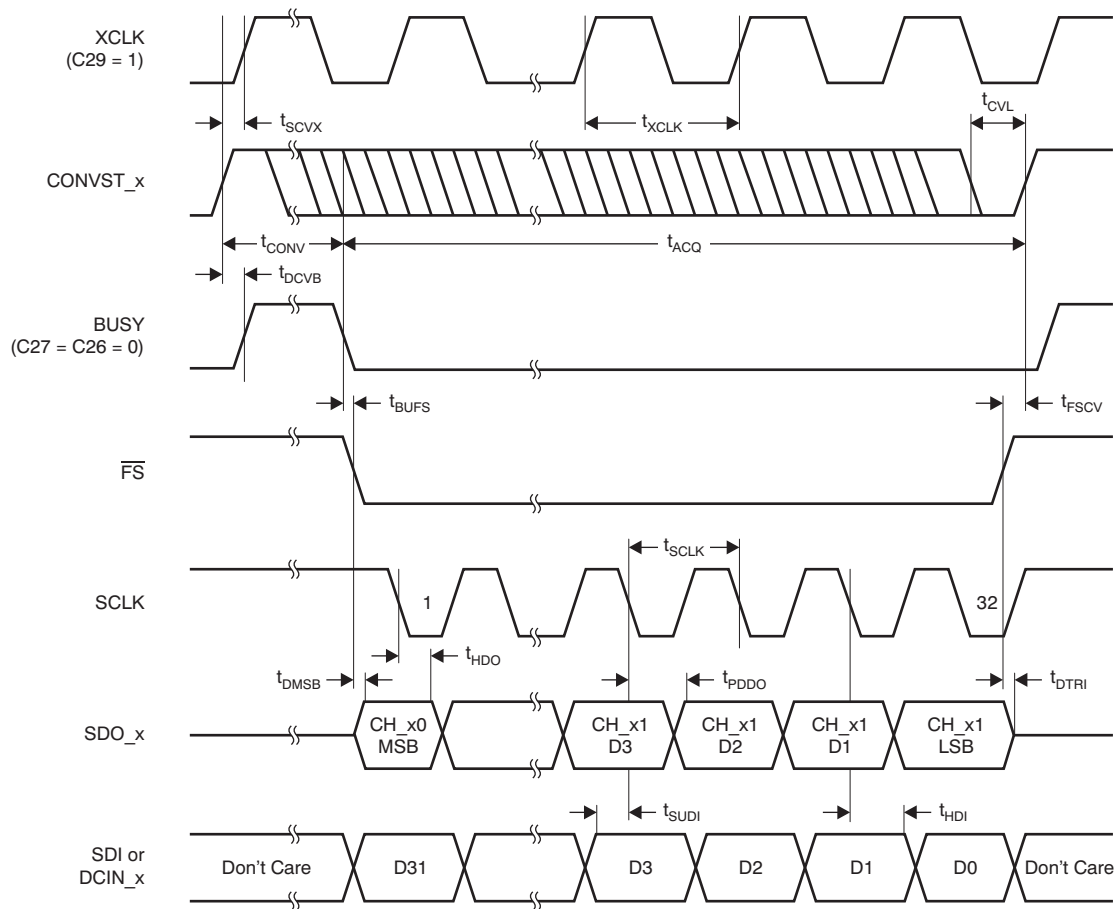
- (1) All input signals are specified with  $t_R = t_F = 1.5\text{ ns}$  (10% to 90% of  $DVDD$ ) and timed from a voltage level of  $(V_{IL} + V_{IH}) / 2$ .
- (2) The device runs with an internal conversion clock. Data can be retrieved after the maximum conversion time  $t_{CONV(max)}$ , independently from the BUSY signal. When referring the data readout to the falling edge of the BUSY signal,  $t_{BUCS(min)}$  must be taken into account (see the [Data Readout and BUSY/INT Signal](#) section).
- (3) See the  $\overline{CS}$  signal or  $\overline{RD}$ , whichever occurs first.

## 7.11 Parallel Interface Timing Requirements (Write Access)

over recommended ambient temperature range ( $T_A$ ),  $AVDD = 5\text{ V}$ , and  $DVDD = 2.7\text{ V}$  to  $5.5\text{ V}$  (unless otherwise noted)<sup>(1)</sup>

			MIN	NOM	MAX	UNIT
$t_{CSWR}$	$\overline{CS}$ low to $\overline{WR}$ low time		0			ns
$t_{WRl}$	$\overline{WR}$ low pulse duration		15			ns
$t_{WRh}$	Minimum time between two write accesses		10			ns
$t_{WRcS}$	$\overline{WR}$ high to $\overline{CS}$ high time		0			ns
$t_{SUDI}$	Output data to $\overline{WR}$ rising edge setup time		5			ns
$t_{HDI}$	Data output to $\overline{WR}$ rising edge hold time		5			ns

- (1) All input signals are specified with  $t_R = t_F = 1.5\text{ ns}$  (10% to 90% of  $DVDD$ ) and timed from a voltage level of  $(V_{IL} + V_{IH}) / 2$ .



**Figure 1. Serial Operation Timing Diagram (All Four SDO\_x Active)**

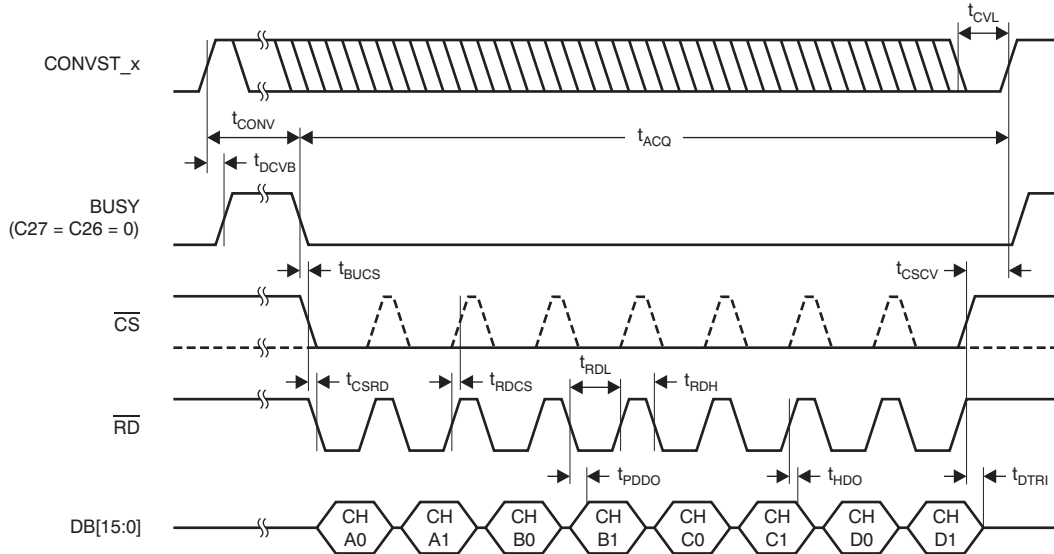


Figure 2. Parallel Read Access Timing Diagram

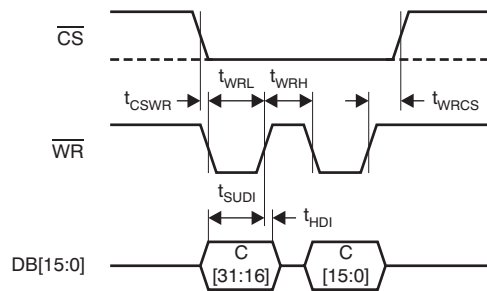


Figure 3. Parallel Write Access Timing Diagram

### 7.12 Typical Characteristics

graphs are valid for all devices of the family, at  $T_A = 25^\circ\text{C}$ ,  $HVDD = 15\text{ V}$ ,  $HVSS = -15\text{ V}$ ,  $AVDD = 5\text{ V}$ ,  $DVDD = 3.3\text{ V}$ ,  $VREF = 2.5\text{ V}$  (internal),  $V_{IN} = \pm 10\text{ V}$ , and  $f_{DATA} = \text{maximum}$  (unless otherwise noted)

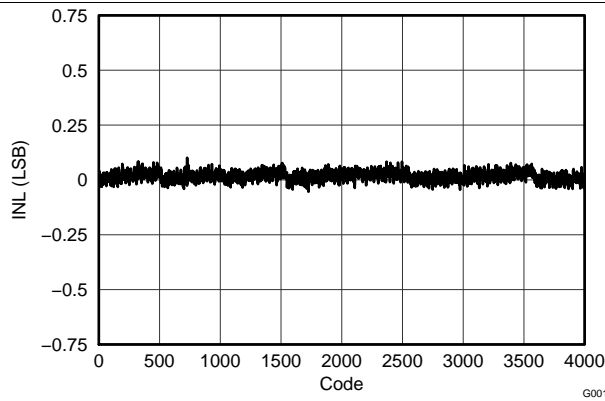


Figure 4. Integral Nonlinearity vs Code (ADS8528)

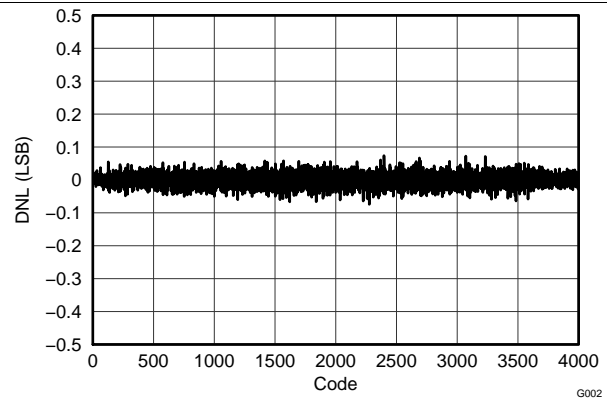


Figure 5. Differential Nonlinearity vs Code (ADS8528)

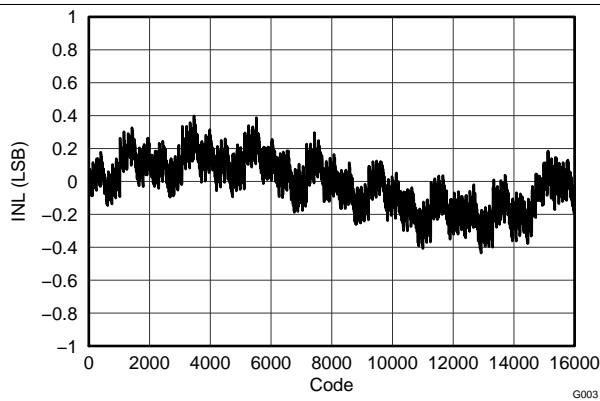


Figure 6. Integral Nonlinearity vs Code (ADS8548  $\pm 10\text{-}V_{IN}$  Range)

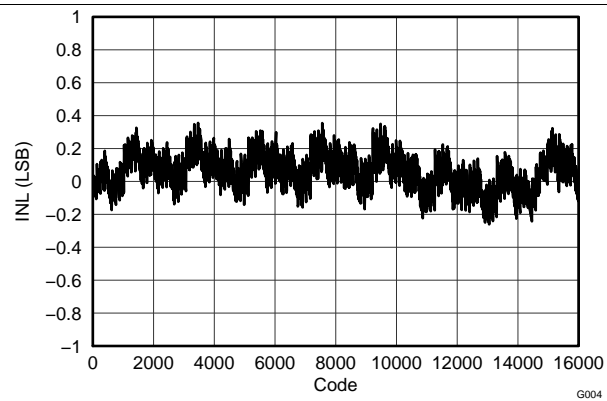


Figure 7. Integral Nonlinearity vs Code (ADS8548  $\pm 5\text{-}V_{IN}$  Range)

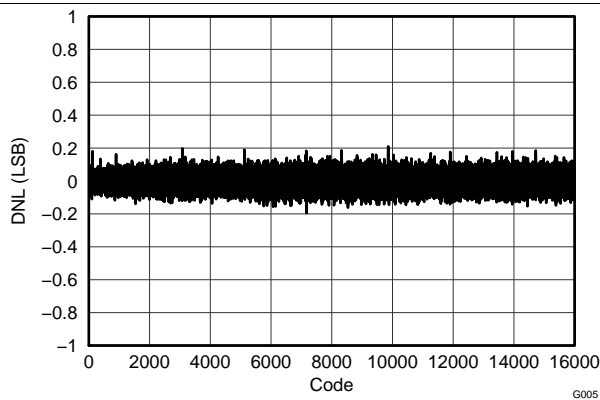


Figure 8. Differential Nonlinearity vs Code (ADS8548  $\pm 10\text{-}V_{IN}$  Range)

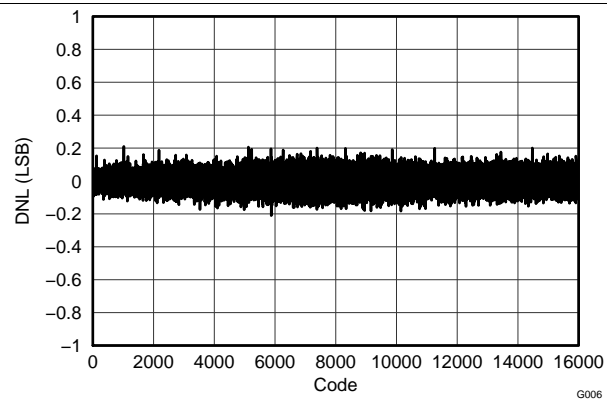


Figure 9. Differential Nonlinearity vs Code (ADS8548  $\pm 5\text{-}V_{IN}$  Range)

Typical Characteristics (continued)

graphs are valid for all devices of the family, at  $T_A = 25^\circ\text{C}$ ,  $HVDD = 15\text{ V}$ ,  $HVSS = -15\text{ V}$ ,  $AVDD = 5\text{ V}$ ,  $DVDD = 3.3\text{ V}$ ,  $VREF = 2.5\text{ V}$  (internal),  $V_{IN} = \pm 10\text{ V}$ , and  $f_{DATA} = \text{maximum}$  (unless otherwise noted)

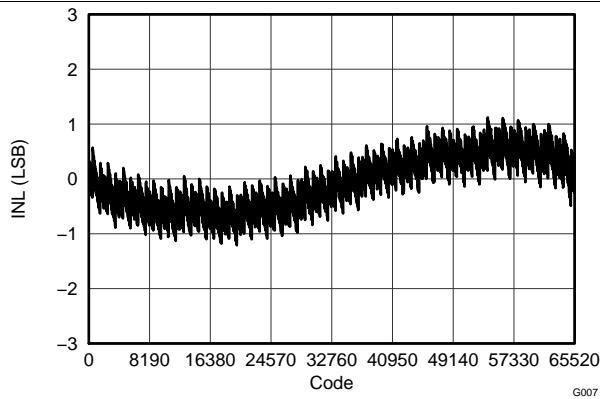


Figure 10. Integral Nonlinearity vs Code (ADS8568  $\pm 10\text{-}V_{IN}$  Range)

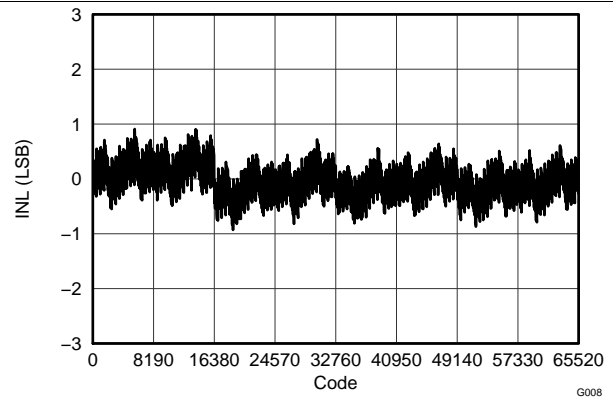


Figure 11. Integral Nonlinearity vs Code (ADS8568  $\pm 5\text{-}V_{IN}$  Range)

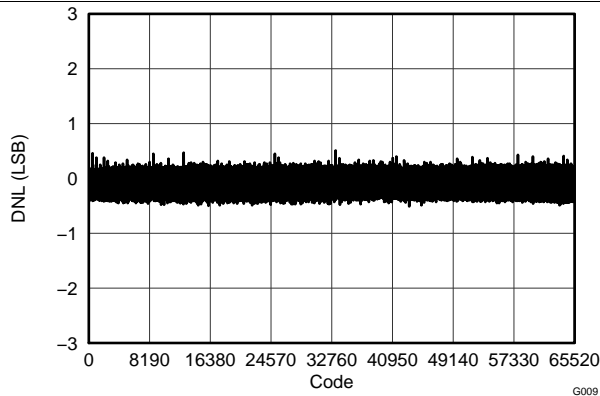


Figure 12. Differential Nonlinearity vs Code (ADS8568  $\pm 10\text{-}V_{IN}$  Range)

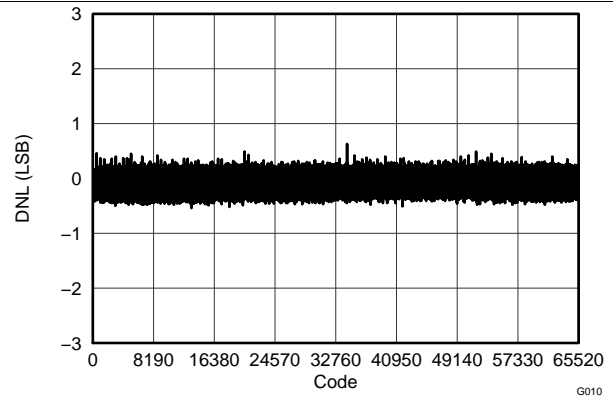


Figure 13. Differential Nonlinearity vs Code (ADS8568  $\pm 5\text{-}V_{IN}$  Range)

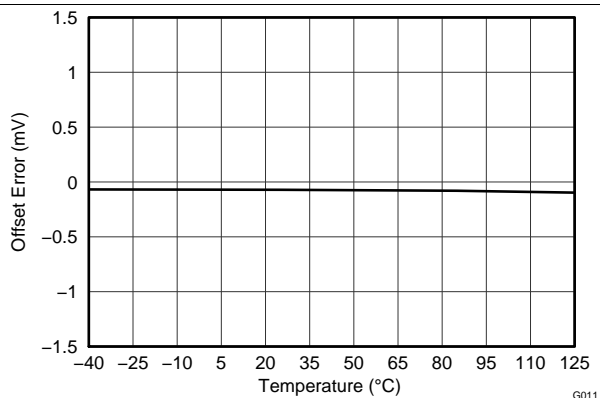


Figure 14. Offset Error vs Temperature

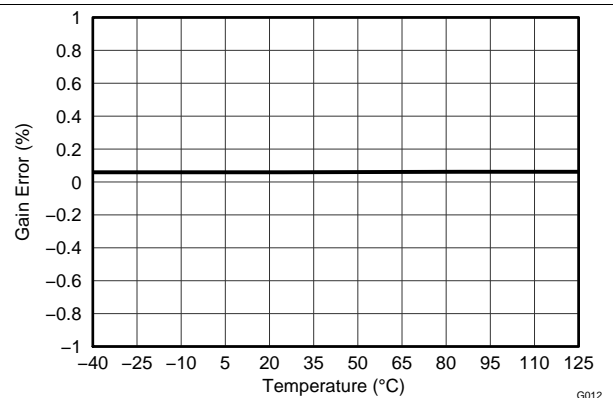
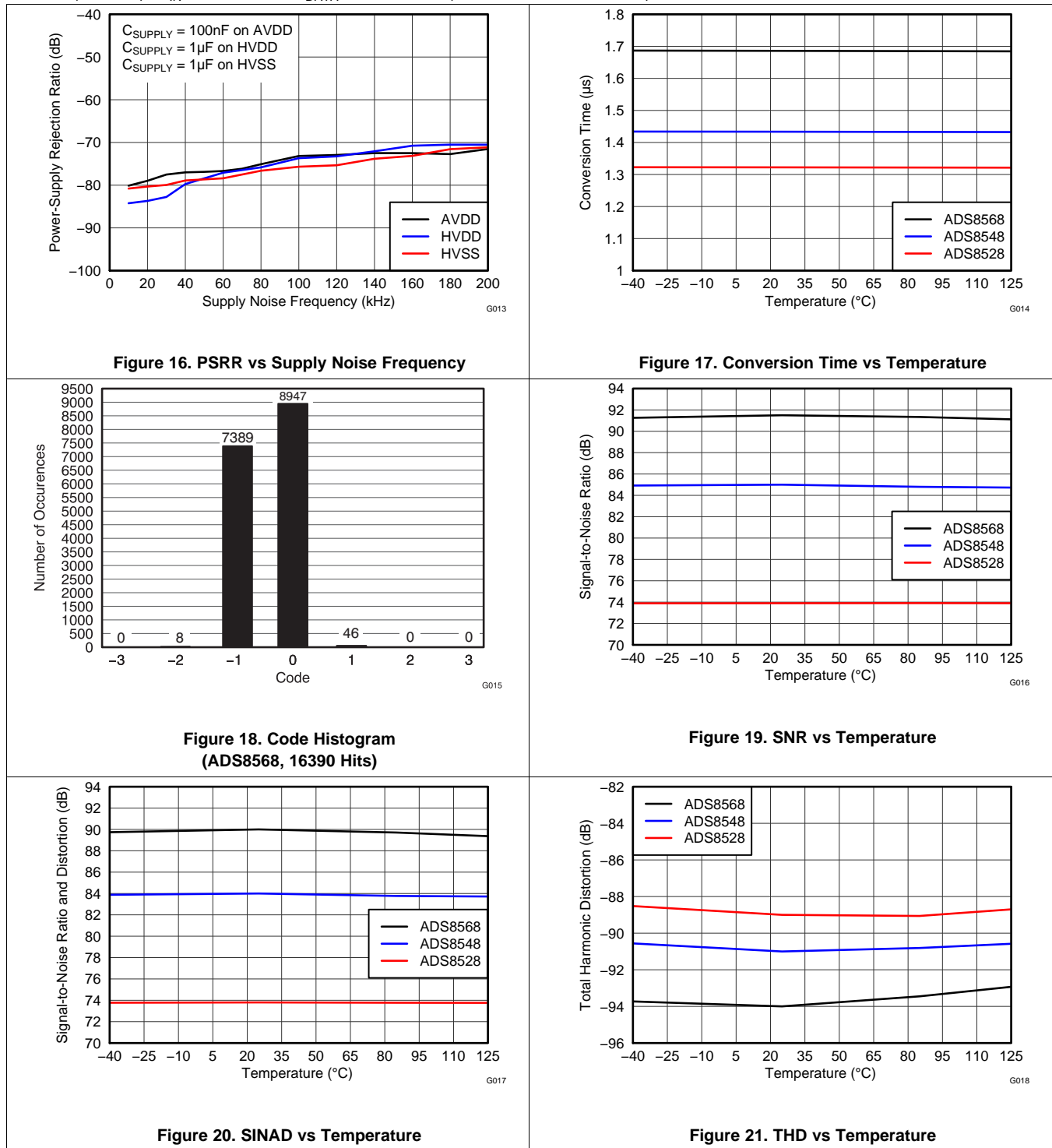


Figure 15. Gain Error vs Temperature

Typical Characteristics (continued)

graphs are valid for all devices of the family, at  $T_A = 25^\circ\text{C}$ ,  $HVDD = 15\text{ V}$ ,  $HVSS = -15\text{ V}$ ,  $AVDD = 5\text{ V}$ ,  $DVDD = 3.3\text{ V}$ ,  $VREF = 2.5\text{ V}$  (internal),  $V_{IN} = \pm 10\text{ V}$ , and  $f_{DATA} = \text{maximum}$  (unless otherwise noted)



### Typical Characteristics (continued)

graphs are valid for all devices of the family, at  $T_A = 25^\circ\text{C}$ ,  $HVDD = 15\text{ V}$ ,  $HVSS = -15\text{ V}$ ,  $AVDD = 5\text{ V}$ ,  $DVDD = 3.3\text{ V}$ ,  $V_{REF} = 2.5\text{ V}$  (internal),  $V_{IN} = \pm 10\text{ V}$ , and  $f_{DATA} = \text{maximum}$  (unless otherwise noted)

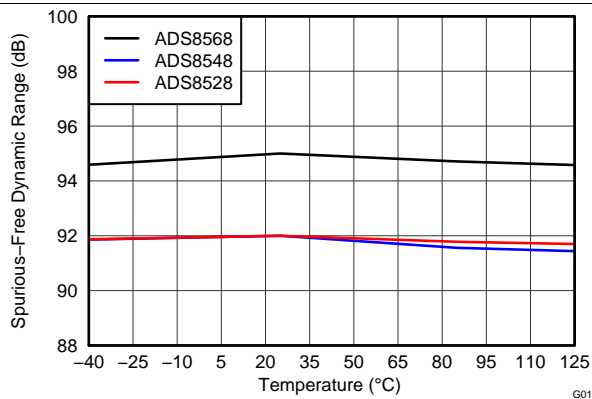


Figure 22. SFDR vs Temperature

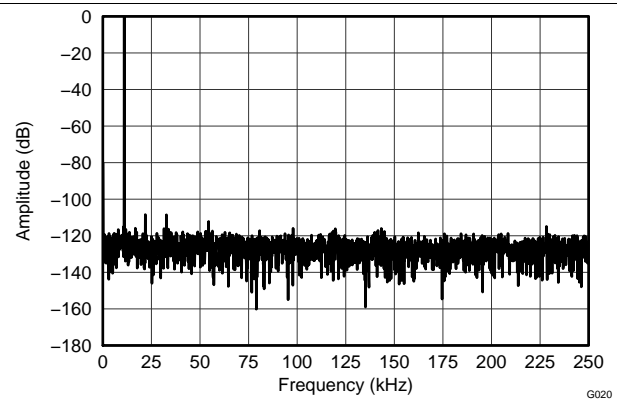


Figure 23. Frequency Spectrum  
(ADS8568, 2048-Point FFT,  $f_{IN} = 10\text{ kHz}$ ,  $\pm 10\text{-}V_{IN}$  Range)

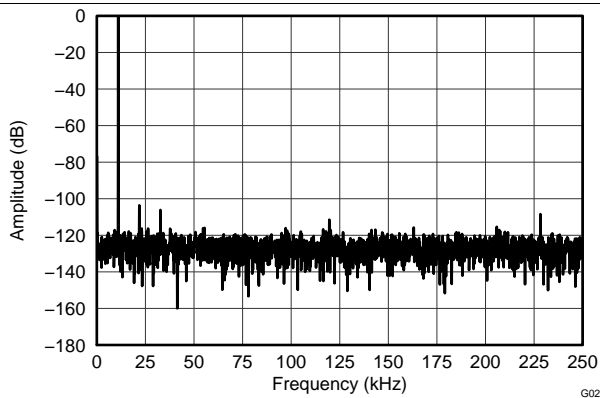


Figure 24. Frequency Spectrum  
(ADS8568, 2048-Point FFT,  $f_{IN} = 10\text{ kHz}$ ,  $\pm 5\text{-}V_{IN}$  Range)

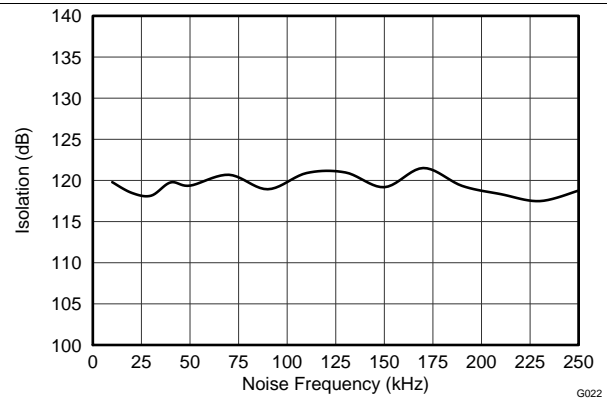


Figure 25. Channel-to-Channel Isolation vs  
Input Noise Frequency

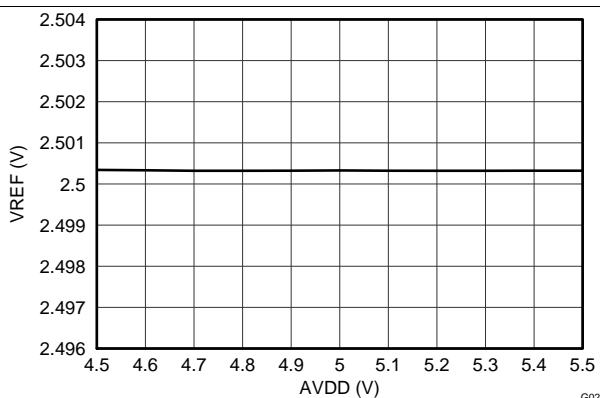


Figure 26. Internal Reference Voltage vs  
Analog Supply Voltage (2.5-V Mode)

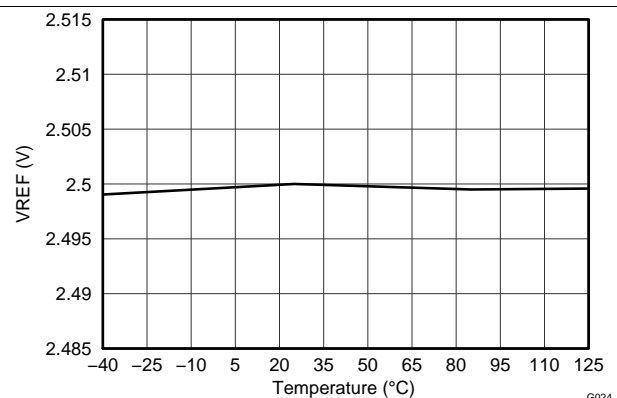


Figure 27. Internal Reference Voltage vs Temperature  
(2.5-V Mode)

### Typical Characteristics (continued)

graphs are valid for all devices of the family, at  $T_A = 25^\circ\text{C}$ ,  $HVDD = 15\text{ V}$ ,  $HVSS = -15\text{ V}$ ,  $AVDD = 5\text{ V}$ ,  $DVDD = 3.3\text{ V}$ ,  $VREF = 2.5\text{ V}$  (internal),  $V_{IN} = \pm 10\text{ V}$ , and  $f_{DATA} = \text{maximum}$  (unless otherwise noted)

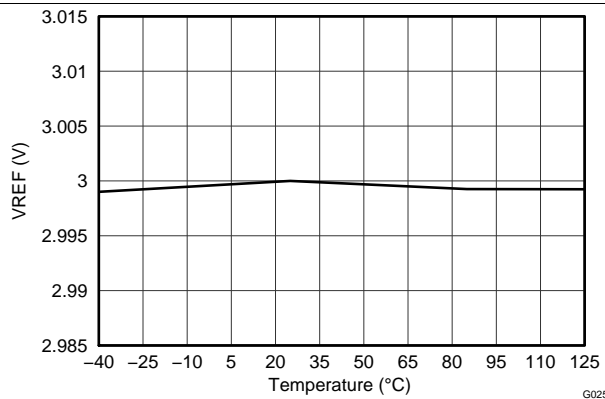


Figure 28. Internal Reference Voltage vs Temperature (3.0-V Mode)

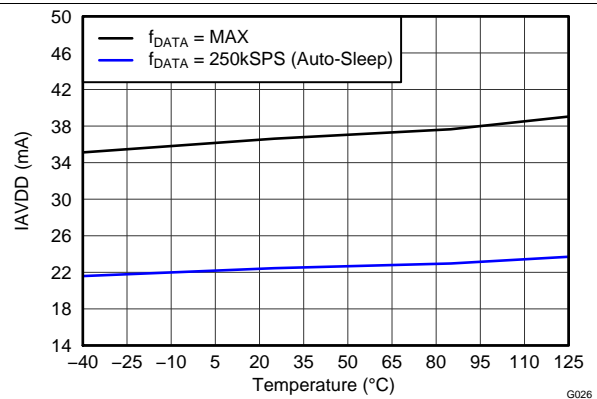


Figure 29. ADS8568 Analog Supply Current vs Temperature

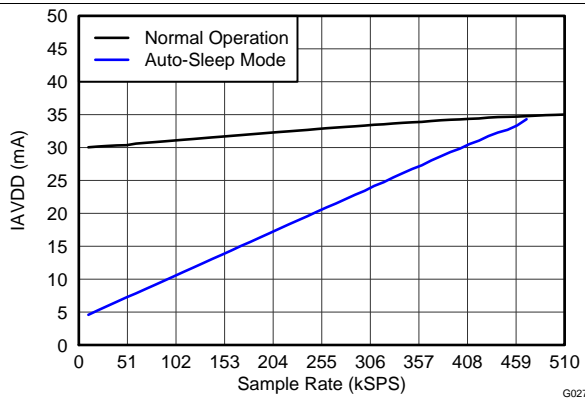


Figure 30. ADS8568 Analog Supply Current vs Data Rate

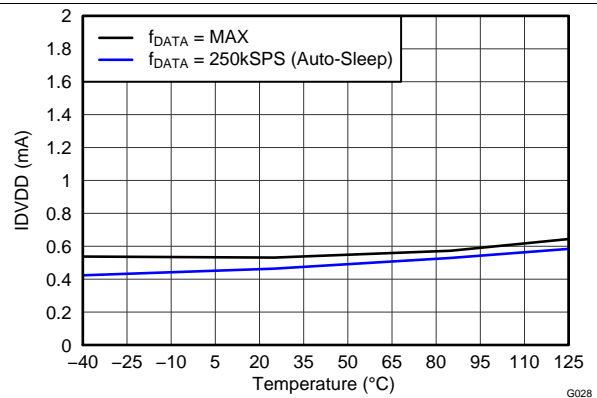


Figure 31. Buffer I/O Supply Current vs Temperature

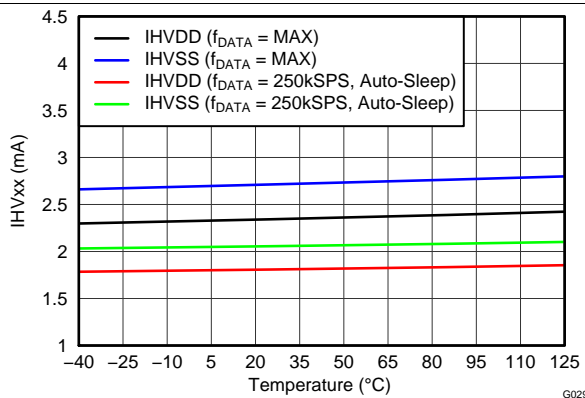


Figure 32. ADS8568 Input Supply Current vs Temperature

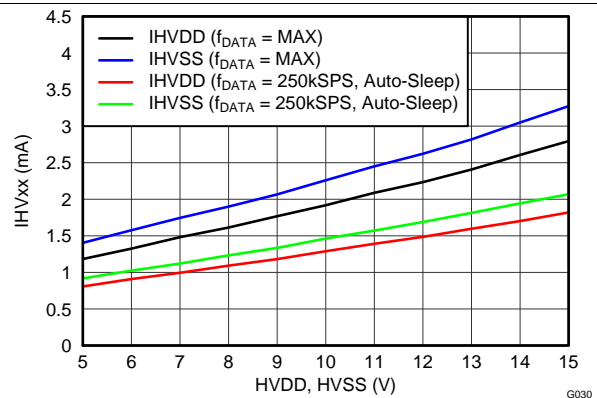
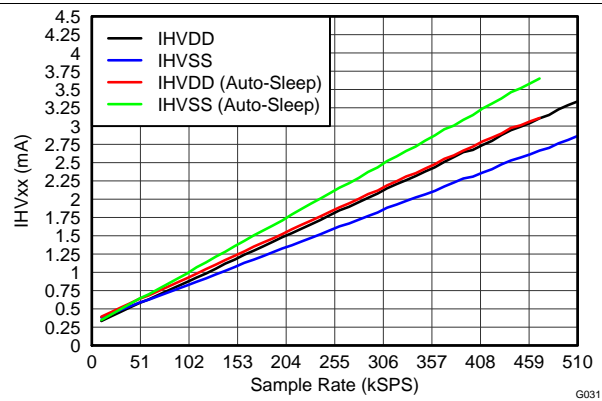


Figure 33. ADS8568 Input Supply Current vs Input Supply Voltage



**Typical Characteristics (continued)**

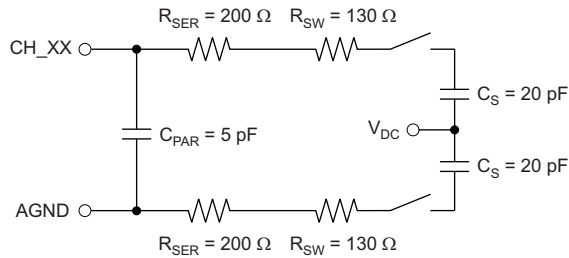
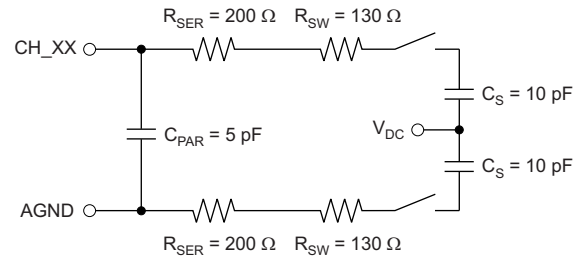
graphs are valid for all devices of the family, at  $T_A = 25^\circ\text{C}$ ,  $HVDD = 15\text{ V}$ ,  $HVSS = -15\text{ V}$ ,  $AVDD = 5\text{ V}$ ,  $DVDD = 3.3\text{ V}$ ,  $VREF = 2.5\text{ V}$  (internal),  $V_{IN} = \pm 10\text{ V}$ , and  $f_{DATA} = \text{maximum}$  (unless otherwise noted)



**Figure 34. ADS8568 Input Supply Current vs Data Rate**

## 8 Parameter Measurement information

### 8.1 Equivalent Circuits

 Input Range:  $\pm 2$  VREF

 Input Range:  $\pm 4$  VREF

**Figure 35. Equivalent Input Circuits**

## 9 Detailed Description

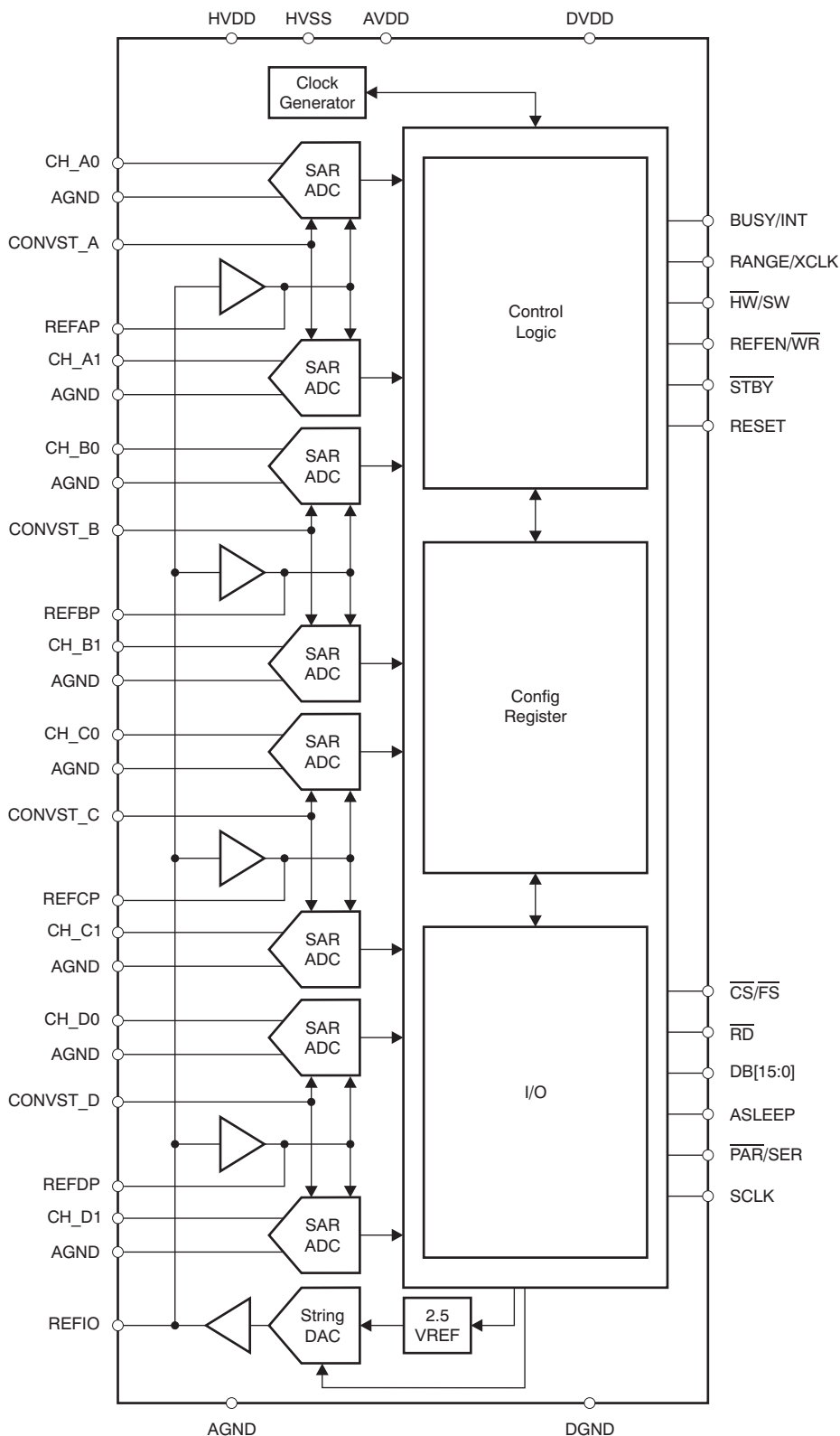
### 9.1 Overview

The ADS85x8 series includes eight 12-, 14-, and 16-bit analog-to-digital converters (ADCs) that operate based on the successive approximation register (SAR) architecture. This architecture is designed on the charge redistribution principle that inherently includes a sample-and-hold function. The eight analog inputs are grouped into four channel pairs. These channel pairs can be sampled and converted simultaneously, preserving the relative phase information of the signals of each pair. Separate conversion start signals allow simultaneous sampling on each channel pair of four, six, or eight channels. These devices accept single-ended, bipolar analog input signals in the selectable ranges of  $\pm 4$  VREF or  $\pm 2$  VREF with an absolute value of up to  $\pm 12$  V; see the [Analog Inputs](#) section.

The devices offer an internal 2.5-V or 3-V reference source followed by a 10-bit digital-to-analog converter (DAC) that allows the reference voltage VREF to be adjusted in 2.44-mV or 2.93-mV steps, respectively.

The ADS85x8 also offer a selectable parallel or serial interface that can be used in hardware or software mode; see the [Device Configuration](#) section for details. The [Analog](#) and [Digital](#) sections describe the functionality and control of the device in detail.

9.2 Functional Block Diagram



## 9.3 Feature Description

### 9.3.1 Analog

This section addresses the analog input circuit, the ADCs and control signals, and the reference design of the device.

#### 9.3.1.1 Analog Inputs

The inputs and the converters are of single-ended bipolar type. The absolute voltage range can be selected using the RANGE pin (in hardware mode) or RANGE\_x bits (in software mode) in the [Configuration \(CONFIG\) register](#) to either  $\pm 4$  VREF or  $\pm 2$  VREF. With the internal reference set to 2.5 V (VREF bit C13 = 0 in the CONFIG register), the input voltage range can be  $\pm 10$  V or  $\pm 5$  V. With the internal reference source set to 3 V (CONFIG bit C13 = 1), an input voltage range of  $\pm 12$  V or  $\pm 6$  V can be configured. The logic state of the RANGE pin is latched with the falling edge of BUSY (if CONFIG bit C26 = 0).

The input current on the analog inputs depends on the actual sample rate, input voltage, and signal source impedance. Essentially, the current into the analog inputs charges the internal capacitor array only during the sampling period ( $t_{ACQ}$ ). The source of the analog input voltage must be able to charge the input capacitance of 10 pF in  $\pm 4$ -VREF mode or of 20 pF in  $\pm 2$ -VREF mode to a 12-, 14-, or 16-bit accuracy level within the acquisition time; see [Figure 35](#). During the conversion period, there is no further input current flow and the input impedance is greater than 1 M $\Omega$ . To ensure a defined start condition, the sampling capacitors of the ADS85x8 are pre-charged to a fixed internal voltage before switching into sampling mode.

To maintain the linearity of the converter, the inputs must always remain within the specified range defined in the [Electrical Characteristics](#) table. The minimum  $-3$ -dB bandwidth of the driving operational amplifier can be calculated using [Equation 1](#):

$$f_{3dB} = \frac{\ln(2)(n + 1)}{2\pi t_{ACQ}}$$

where

- $n = 12, 14, \text{ or } 16$ ;  $n$  is the resolution of the ADS85x8 (1)

With a minimum acquisition time of  $t_{ACQ} = 280$  ns, the required minimum bandwidth of the driving amplifier is 5.2 MHz for the ADS8528, 6.0 MHz for the ADS8548, or 6.7 MHz for the ADS8568. The required bandwidth can be lower if the application allows a longer acquisition time. A gain error occurs if a given application does not fulfill the bandwidth requirement shown in [Equation 1](#).

A driving operational amplifier may not be required if the impedance of the signal source ( $R_{SOURCE}$ ) fulfills the requirement of [Equation 2](#):

$$R_{SOURCE} < \frac{t_{ACQ}}{C_S \ln(2)(n + 1)} - (R_{SER} + R_{SW})$$

where

- $n = 12, 14, \text{ or } 16$ ;  $n$  is the resolution of the ADC
- $C_S = 10$  pF is the sample capacitor value in  $V_{IN} = \pm 4$ -VREF mode
- $R_{SER} = 200$   $\Omega$  is the input resistor value
- and  $R_{SW} = 130$   $\Omega$  is the switch resistance value (2)

With a minimum acquisition time of  $t_{ACQ} = 280$  ns, the maximum source impedance must be less than 2.7 k $\Omega$  for the ADS8528, 2.3 k $\Omega$  for the ADS8548, and 2.0 k $\Omega$  for the ADS8568 in  $\pm 4$ V-REF mode, or less than 1.2 k $\Omega$  for the ADS8528, 1.0 k $\Omega$  for the ADS8548, and 0.8 k $\Omega$  for the ADS8568 in  $\pm 2$ -VREF mode. The source impedance can be higher if the application allows a longer acquisition time.

#### 9.3.1.2 Analog-to-Digital Converter (ADC)

The device includes eight ADCs that operate with either an internal or an external conversion clock.

## Feature Description (continued)

### 9.3.1.3 Conversion Clock

The device uses either an internally-generated (CCLK) or an external (XCLK) conversion clock signal (in software mode only). In default mode, the device generates an internal clock. In this case, a complete conversion including the pre-charging of the sample capacitors takes 19 to 20 clock cycles, depending on the setup time of the incoming CONVST\_x signal with relation to the CCLK rising edge.

When the CLKSEL bit is set high (CONFIG bit C29), an external conversion clock can be applied on pin 34. A complete conversion process requires 19 clock cycles in this case if the  $t_{SCVX}$  timing requirement is fulfilled. The external clock can remain low between conversions.

If the application requires lowest power dissipation at low data rates, using the auto-sleep mode activated with pin 36 (ASLEEP) is recommended. In this case, a conversion cycle takes up to 26 clock cycles (see the [Reset and Power-Down Modes](#) section for more details).

### 9.3.1.4 CONVST\_x

The analog inputs of each channel pair (CH\_x0, CH\_x1) are held with the rising edge of the corresponding CONVST\_x signal. The conversion automatically starts with the next rising edge of the conversion clock. CONVST\_A is a master conversion start that resets the internal state machine and causes the data output to start with the result of channel A0. In cases where channel pairs of the device are used at different data rates, CONVST\_A must always be the one used at the highest frequency.

A conversion start must not be issued during an ongoing conversion on the corresponding channel pair. However, conversions are allowed to be initiated on other input pairs; see the [Sequential Operation](#) section for more details.

If a parallel interface is used, the content of the output port depends on which CONVST\_x signals are issued. [Figure 36](#) shows examples of different scenarios with all channel pairs active.

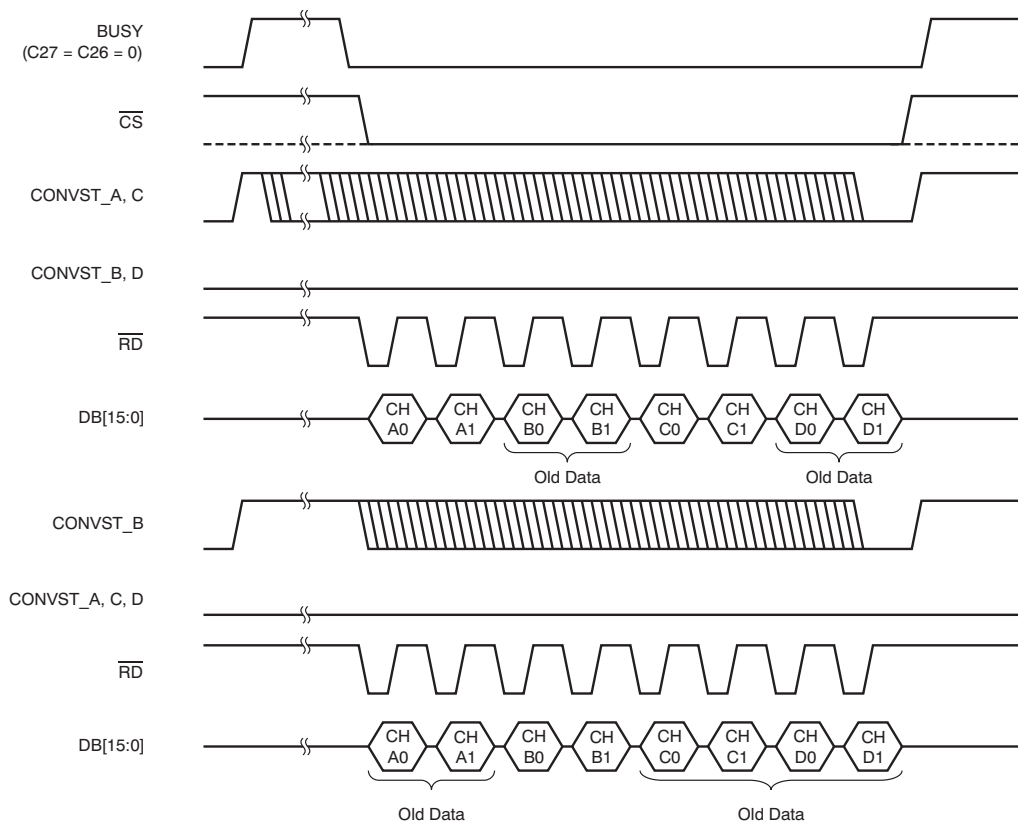


Figure 36. Data Output versus CONVST\_x (All Channels Active)

## Feature Description (continued)

### 9.3.1.5 Data Readout and BUSY/INT Signal

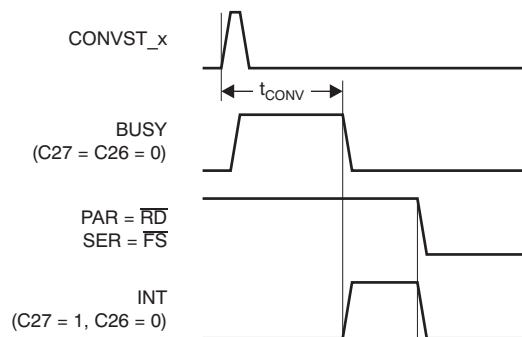
The BUSY signal indicates if a conversion is in progress. The BUSY signal goes high with a rising edge of any CONVST\_x signal and returns low again when the last channel pair completes the conversion cycle.

When operating the device with an external clock (CONFIG bit 29, CLKSEL = 1), data readout can be initiated immediately after the falling edge of the BUSY signal or after 19 complete conversion clock cycles (XCLK), respectively.

When using the device with an internal conversion clock (CONFIG bit 29, CLKSEL = 0), data can be retrieved after  $t_{\text{CONV(max)}}$  independently from the BUSY signal. In case the data readout is referred to the falling edge of the BUSY signal, the readout sequence cannot start before  $t_{\text{BUFS/BUCS}}$  after the falling edge, corresponding to 1 CCLK cycle (for example, 86 ns for the ADS8568).

In contrast, the INT signal goes high when a new conversion result is loaded in the output register (which occurs when the conversion completes) and remains high until the next read access, as shown in [Figure 37](#).

The polarity of the BUSY/INT signal can be changed using CONFIG bit C26. The mode of pin 35 can be controlled using CONFIG bit C27.

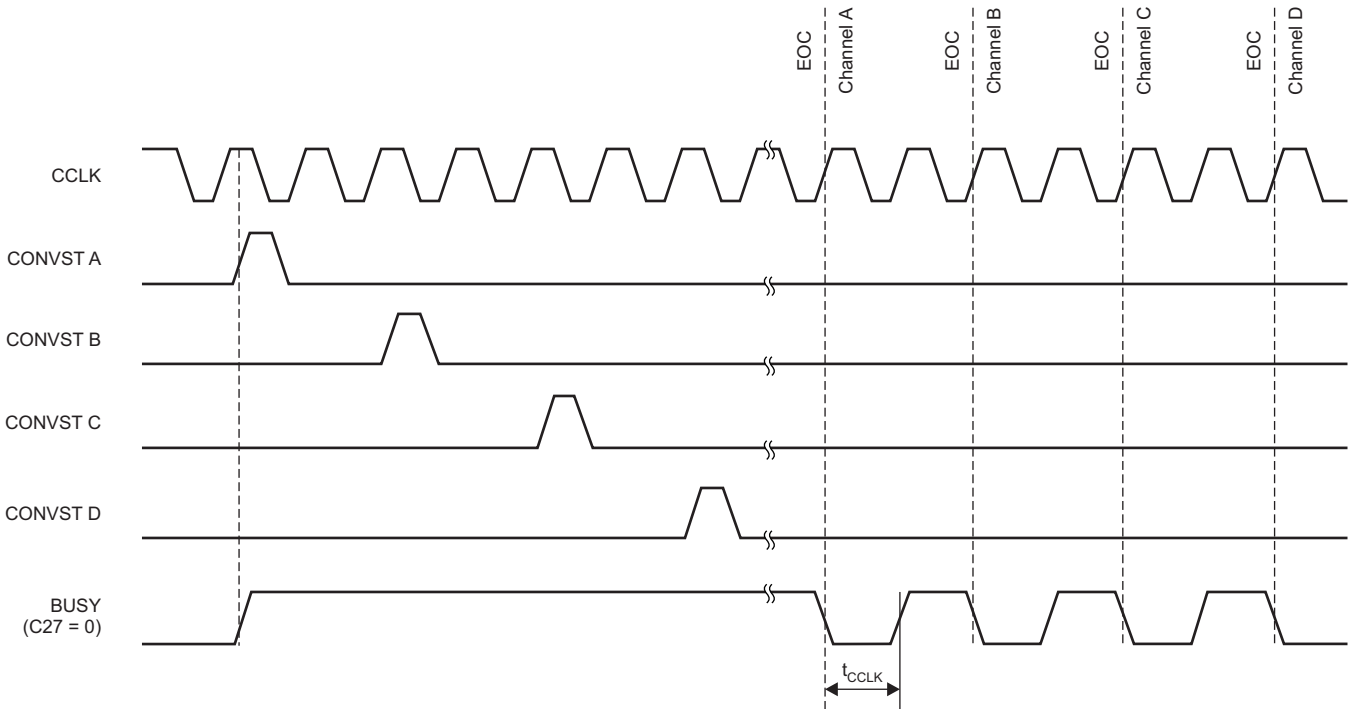


**Figure 37. BUSY versus INT Behavior of Pin 35**

## Feature Description (continued)

### 9.3.1.6 Sequential Operation

The four channel pairs of the ADS8528, ADS8548, and ADS8568 can run in sequential mode, with the corresponding CONVST\_x signals interleaved. In this case, the BUSY output transitions low for a single conversion clock cycle ( $t_{\text{CCLK}}$ ) whenever a channel pair completes a conversion. BUSY finally remains low when the conversion of the last channel pair completes. Figure 38 shows the behavior of the BUSY output in this mode.



NOTE: EOC = end of conversion (internal signal).

**Figure 38. Sequential Operation Timing Diagram**

For best performance, operation with an external clock is recommended (CONFIG bit 29, CLKSEL = 1). Initiate each conversion start during the high phase of the external clock; see Figure 40.

The time between two CONVST\_x pulses must be at least one conversion clock cycle. In case the skew of the CONVST\_x signals is less than one conversion clock cycle, the data readout cannot be started before  $t_{\text{CCLK}}$  after the falling edge of the BUSY signal.

### 9.3.1.7 Reference

The ADS85x8 provides an internal, low-drift, 2.5-V reference source. To increase the input voltage range, the reference voltage can be switched to 3-V mode using the VREF bit (CONFIG bit C13). The reference feeds a 10-bit string-DAC controlled by the REFDAC[9:0] bits in the Configuration (CONFIG) register. The buffered DAC output is connected to the REFIO pin. In this way, the voltage at this pin is programmable in 2.44-mV steps (2.92 mV in 3-V mode) and adjustable to the applications needs without additional external components. The actual output voltage can be calculated using Equation 3:

$$V_{\text{REF}} = \frac{\text{Range} \times (\text{Code} + 1)}{1024}$$

where

- Range = the chosen maximum reference voltage output range (2.5 V or 3 V)
- Code = the decimal value of the DAC register content

(3)

## Feature Description (continued)

**Table 1** lists some examples of internal reference DAC settings with a reference range set to 2.5 V. However, to ensure proper performance, the DAC output voltage must not be programmed below 0.5 V.

Decouple the buffered output of the DAC with a 100-nF capacitor (minimum); for best performance, a 470-nF capacitor is recommended. If the internal reference is placed into power-down (default), an external reference voltage can drive the REFIO pin.

**Table 1. DAC Settings Examples (2.5-V Operation)**

VREFOUT	DECIMAL CODE	BINARY CODE	HEXADECIMAL CODE
0.5 V	204	00 1100 1100	CCh
1.25 V	511	01 1111 1111	1FFh
2.5 V	1023	11 1111 1111	3FFh

The voltage at the REFIO pin is buffered with four internal amplifiers, one for each ADC pair. The output of each buffer must be decoupled with a 10-μF capacitor between the pin pairs of 3 and 6, 43 and 46, 50 and 53, and 60 and 63. The 10-μF capacitors are available as ceramic 0805-SMD components and in X5R quality.

The internal reference buffers can be powered down to decrease the power dissipation of the device. In this case, external reference drivers can be connected to the REFAP, REFBP, REFCP, and REFDP pins. With 10-μF decoupling capacitors, the minimum required bandwidth can be calculated using [Equation 4](#):

$$f_{3dB} = \frac{\ln(2)}{2\pi t_{CONV}} \quad (4)$$

With the minimum  $t_{CONV}$  of 1.33 μs, the external reference buffers require a minimum bandwidth of 83 kHz.

### 9.3.2 Digital

This section describes the digital control and the timing of the device in detail.

#### 9.3.2.1 Device Configuration

Depending on the desired mode of operation, the ADS85x8 can be configured using the external pins or the Configuration register (CONFIG), as shown in [Table 2](#).

**Table 2. ADS85x8 Configuration Settings**

INTERFACE MODE	HARDWARE MODE ( $\overline{HW}/SW = 0$ )	SOFTWARE MODE ( $\overline{HW}/SW = 1$ )
Parallel ( $\overline{PAR}/SER = 0$ )	Configuration using pins and (optionally) Configuration register bits C30, C29, C[27:26], C22, C20, C18, C14, C13, and C[9:0]	Configuration using Configuration register bits C[31:0] only; status of pins 9, 11, 20, and 34 are disregarded (if C29 = C28 = 0)
Serial ( $\overline{PAR}/SER = 1$ )	Configuration using pins and (optionally) Configuration register bits C30, C29, C[27:26], C22, C20, C18, C13, and C[9:0]	Configuration using Configuration register bits C[31:0] only; status of pins 9, 11, 20, and 34 are disregarded (if C29 = C28 = 0)



### 9.3.2.2 Parallel Interface

To use the device with the parallel interface, hold the  $\overline{\text{PAR/SER}}$  pin low. The maximum achievable data throughput rate is 650 kSPS for the ADS8528, 600 kSPS for the ADS8548, and 510 kSPS for the ADS8568 in this case.

Access to the ADS85x8 is controlled as illustrated in [Figure 2](#) and [Figure 3](#).

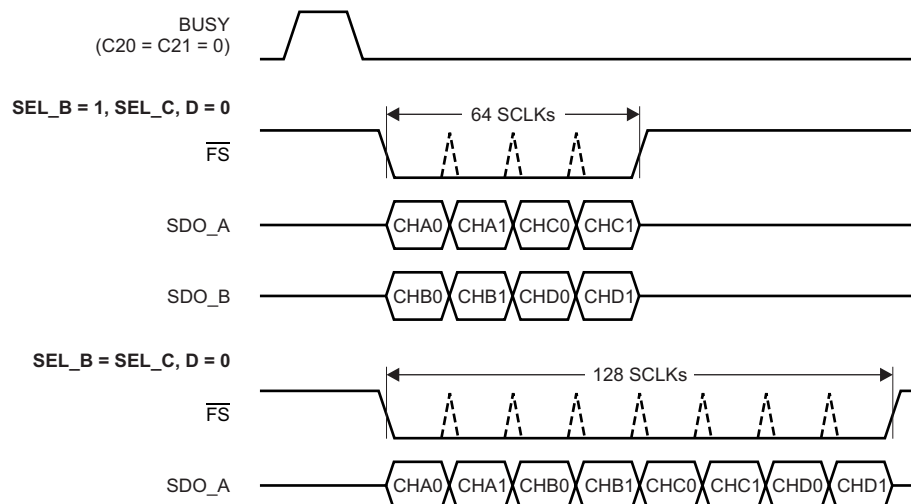
### 9.3.2.3 Serial Interface

The serial interface mode is selected by setting the  $\overline{\text{PAR/SER}}$  pin high. In this case, each data transfer starts with the falling edge of the frame synchronization input ( $\overline{\text{FS}}$ ). The conversion results are presented on the serial data output pins SDO\_A (always active), SDO\_B, SDO\_C, and SDO\_D, depending on the selections made using the SEL\_xx pins. Starting with the most significant bit (MSB), the output data are changed with the SCLK falling edge. The ADS8528 and ADS8548 output data maintain the LSB-aligned, 16-bit format with leading bits containing the extended sign (see [Table 3](#)). Serial data input SDI are latched with the SCLK falling edge.

The serial interface can be used with one, two, or four output ports. Port SDO\_B can be enabled using pin 27 (SEL\_B) and ports SDO\_C and SDO\_D are enabled using pin 28 (SEL\_CD). If all four serial data output ports are selected, data can be read with either two 16-bit data transfers or with a single 32-bit data transfer. The data of channels CH\_x0 are available first, followed by data from channels CH\_x1. The maximum achievable data throughput rate is 480 kSPS for the ADS8528, 450 kSPS for the ADS8548, and 400 kSPS for the ADS8568 in this case.

If the application allows a data transfer using two ports only, the SDO\_A and SDO\_B outputs are used. The device outputs data from channel CH\_A0 followed by CH\_A1, CH\_C0, and CH\_C1 on SDO\_A; data from channel CH\_B0 followed by CH\_B1, CH\_D0, and CH\_D1 occur on SDO\_B. In this case, a data transfer of four 16-bit words, two 32-bit words, or one continuous 64-bit word is supported. The maximum achievable data throughput rate is 360 kSPS for the ADS8528, 345 kSPS for the ADS8548, and 315 kSPS for the ADS8568 in this case.

The output SDO\_A is always active and exclusively used if only one serial data port is used in the application. Data are available in the following order: CH\_A0, CH\_A1, CH\_B0, CH\_B1, CH\_C0, CH\_C1, CH\_D0, and CH\_D1. Data can be read using eight 16-bit transfers, four 32-bit transfers, two 64-bit transfers, or a single 128-bit transfer. The maximum achievable data throughput rate is 235 kSPS for the ADS8528, 230 kSPS for the ADS8548 and 215 kSPS for the ADS8568 in this case. [Figure 1](#) and [Figure 39](#) illustrate all possible scenarios in more detail.



**Figure 39. Data Output with One or Two Active SDOs (All Input Channels Active and Converted)**

### 9.3.2.4 Output Data Format

The data output format of the ADS85x8 is binary two's complement, as shown in [Table 3](#). For the ADS8528 and ADS8548 (that deliver 12-bit or 14-bit conversion results, respectively), the leading bits of either the 16-bit frame (serial interface) or the output pins (DB[15:12] for the ADS8528 or DB[15:14] for the ADS8548 in parallel mode) deliver a sign extension.

**Table 3. Output Data Format**

DESCRIPTION	INPUT VOLTAGE VALUE	BINARY CODE HEXADECIMAL CODE		
		ADS8528	ADSS8548	ADS8568
Positive full-scale	4 VREF or 2 VREF	0000 0111 1111 1111 07FFh	0001 1111 1111 1111 1FFFh	0111 1111 1111 1111 7FFFh
Midscale 0.5 LSB	VREF / (2 x resolution)	0000 0000 0000 0000 0000h	0000 0000 0000 0000 0000h	0000 0000 0000 0000 0000h
Midscale -0.5 LSB	-VREF / (2 x resolution)	1111 1111 1111 1111 FFFFh	1111 1111 1111 1111 FFFFh	1111 1111 1111 1111 FFFFh
Negative full-scale	-4 VREF or -2 VREF	1111 1000 0000 0000 F800h	1110 0000 0000 0000 E000h	1000 0000 0000 0000 8000h

## 9.4 Device Functional Modes

### 9.4.1 Hardware Mode

With the  $\overline{\text{HW}}/\text{SW}$  input (pin 41) set low, the device functions are controlled via the pins and, optionally, Configuration register bits C30, C29, C[27:26], C22, C20, C18, C14 (in parallel interface mode only), C13, and C[9:0].

The device can generally be used in hardware mode but can be switched to software mode to initialize or adjust the Configuration register settings (for example, the internal reference DAC) and back to hardware mode thereafter.

### 9.4.2 Software Mode

When the  $\overline{\text{HW}}/\text{SW}$  input is set high, the device operates in software mode with functionality set only by the Configuration register bits (corresponding pin settings are ignored).

If the parallel interface is used, an update of all Configuration register settings is performed by issuing two 16-bit write accesses on pins DB[15:0] (to avoid losing data, the entire sequence must be finished before starting a new conversion). Do not hold  $\overline{\text{CS}}$  low during these two accesses. To enable the actual update of the register settings, the first bit (C31) must be set to 1 during the access.

If the serial interface is used, the update of the register contents can be performed continuously (combined read/write access). Optionally, to reduce the data transfer on the SDI line and the electromagnetic interference (EMI) of the system, the SDI input can be pulled low when a register update is not required. [Figure 40](#) illustrates the different Configuration register update options.

Device Functional Modes (continued)

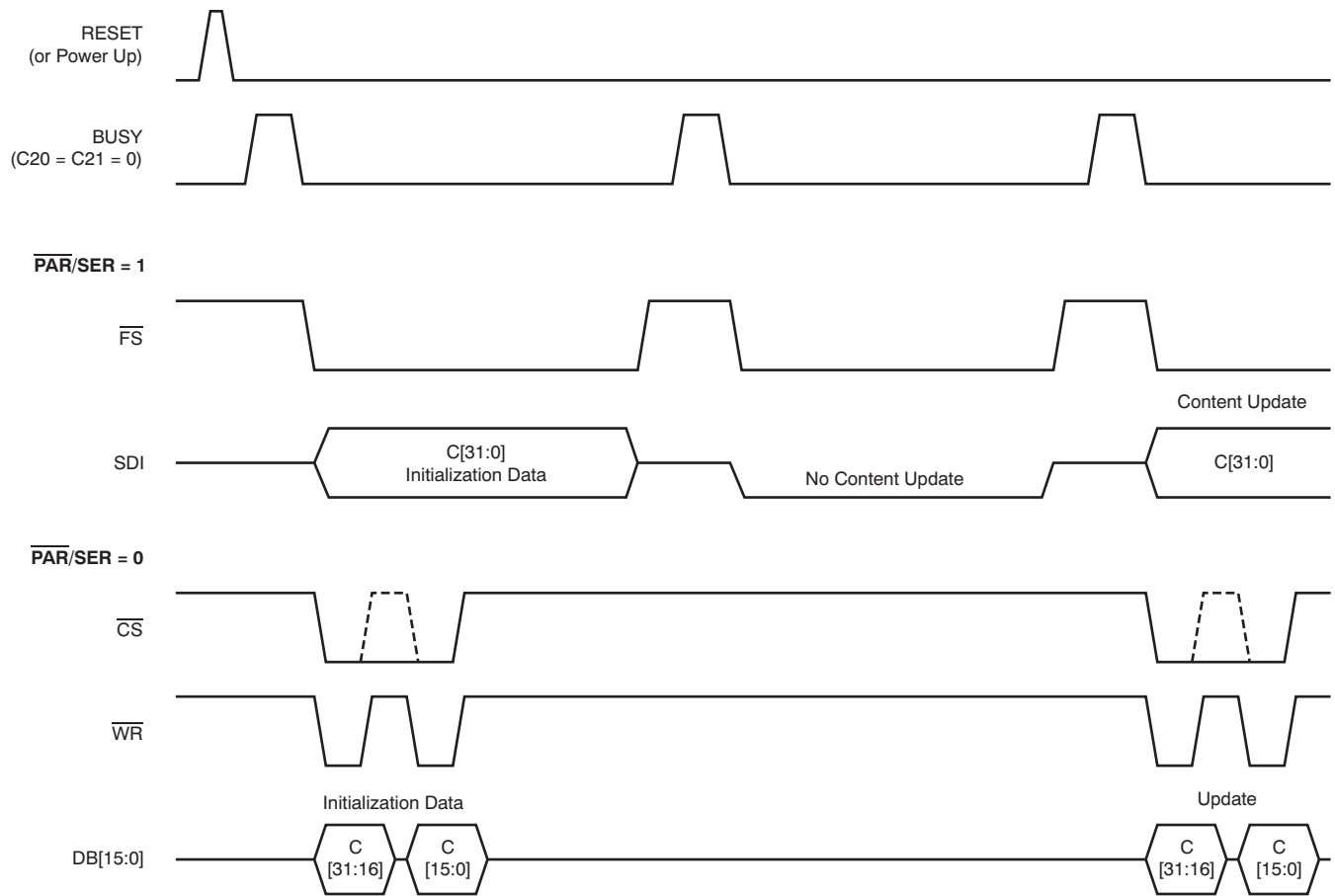


Figure 40. Configuration Register Update Options

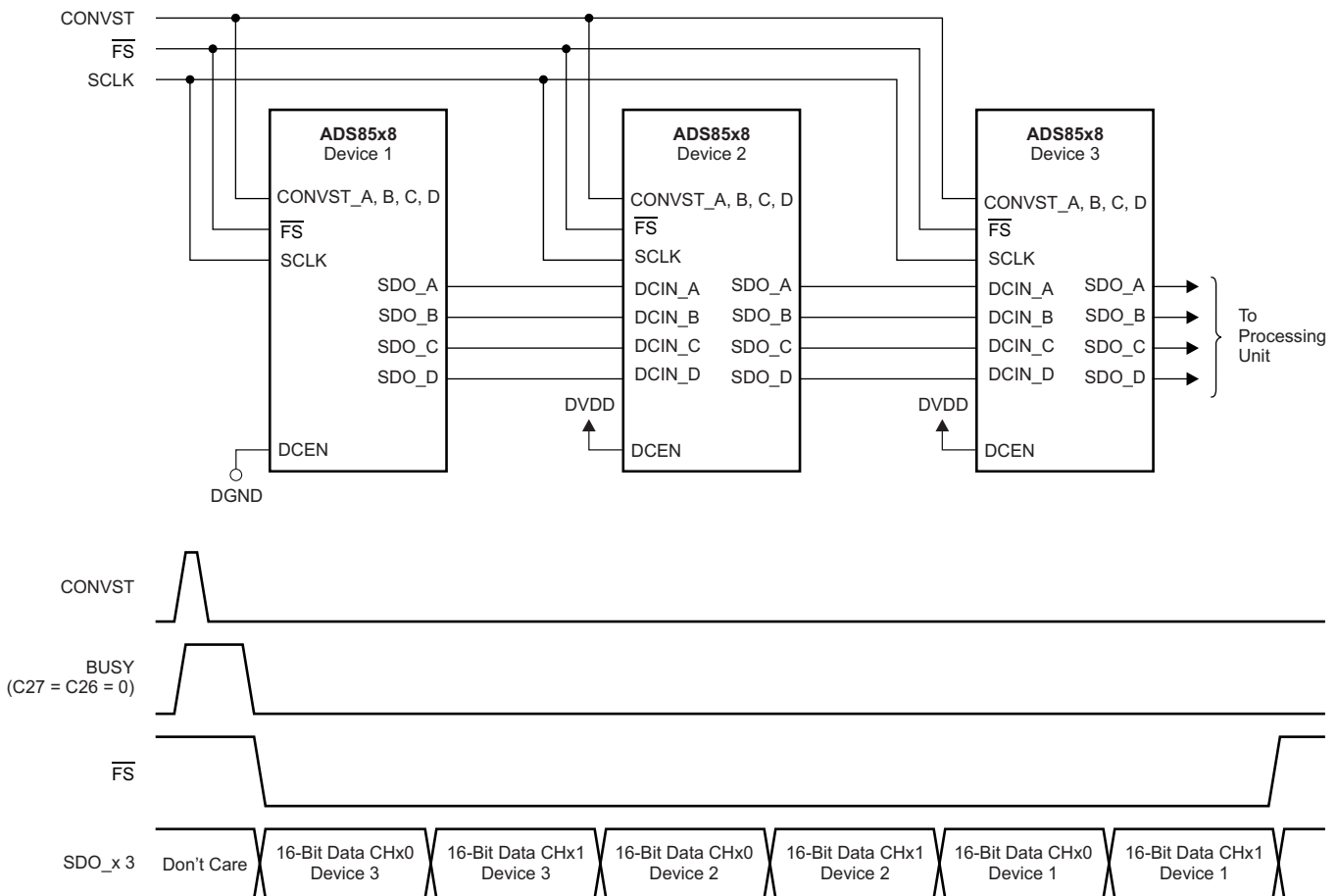
## Device Functional Modes (continued)

### 9.4.3 Daisy-Chain Mode

The serial interface of the ADS85x8 supports a daisy-chain feature that allows cascading of multiple devices to minimize the board space requirements and simplify routing of the data and control lines. In this case, the DB3/DCIN\_A, DB2/DCIN\_B, DB1/DCIN\_C, and DB0/DCIN\_D pins are used as serial data inputs for channels A, B, C, and D, respectively. Figure 41 shows an example of a daisy-chain connection of three devices sharing a common CONVST line to allow simultaneous sampling of 24 analog channels along with the corresponding timing diagram.

To activate the daisy-chain mode, the DCEN pin must be pulled high. However, the DCEN of the first device in the chain must remain low.

In applications where not all channel pairs are used, declaring the device with disabled channel pairs to be the first in the daisy-chain is recommended.



**Figure 41. Example of Daisy-Chaining Three Devices**

### 9.4.4 Reset and Power-Down Modes

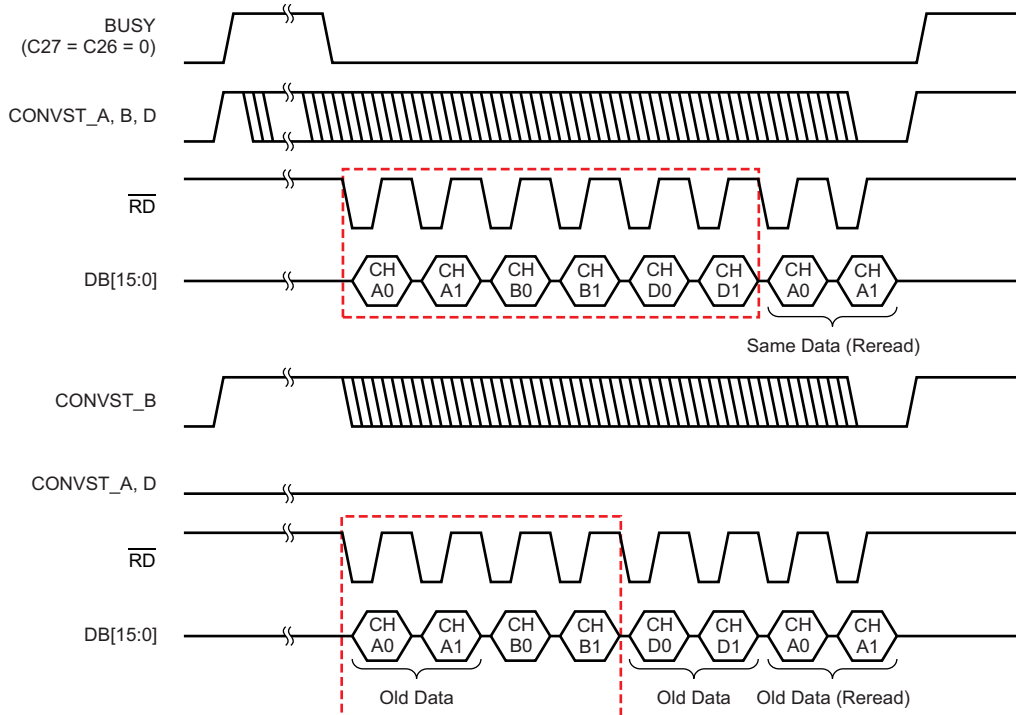
The device supports two reset mechanisms: a power-on reset (POR) and a pin-controlled reset (RESET) that can be issued using pin 10. Both the POR and RESET function as a master reset that causes any ongoing conversion to be interrupted, the Configuration register content to be set to the default value, and all channels to be switched into sample mode.

When the device is powered up, POR sets the device in default mode when AVDD reaches 1.2 V. In normal operation, glitches on the AVDD supply below this threshold trigger a device reset.

### Device Functional Modes (continued)

The entire device, except for the digital interface, can be powered down by pulling the  $\overline{\text{STBY}}$  pin low (pin 9). Data can be retrieved when in standby mode because the digital interface section remains active. To power the device on again, the  $\overline{\text{STBY}}$  pin must be brought high. The device is ready to start a new conversion after the 10 ms required to activate and settle the internal circuitry. This user-controlled approach can be used in applications that require lower data throughput rates at lowest power dissipation. The content of CONFIG is not changed during standby mode and is not required to perform a reset after returning to normal operation.

Although standby mode affects the entire device, each device channel pair (except channel pair A, which is the master channel pair and is always active) can also be individually switched off by setting the Configuration register bits C22, C20, and C18 (PD\_x). If a certain channel pair is powered-down in this manner, the output register is disabled as shown in Figure 42. When reactivated, the relevant channel pair requires 10 ms to fully settle before starting a new conversion.



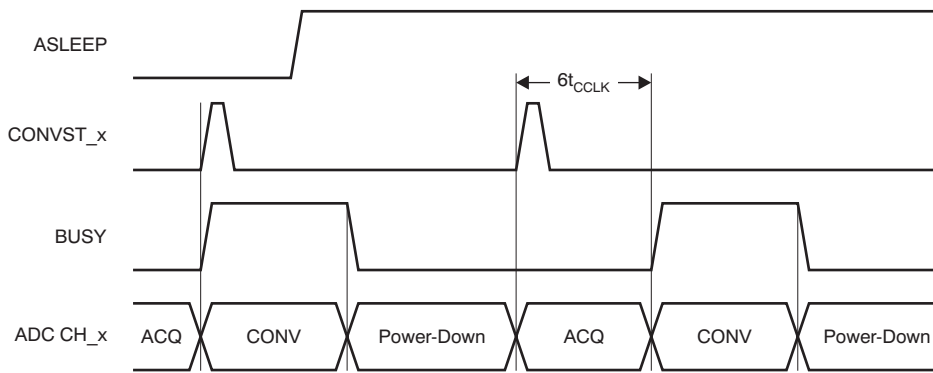
(1) Channel pair C disabled (PD\_C = 1),  $\overline{\text{CS}} = 0$ .

NOTE: Boxed areas indicate the minimum required frame to acquire all new conversion results. The read access can be interrupted, thereafter.

**Figure 42. Example of Data Output Order With Channel Pair C Powered Down<sup>(1)</sup>**

## Device Functional Modes (continued)

Auto-sleep mode is enabled by pulling pin 36 (ASLEEP) high. If auto-sleep mode is enabled, the ADS85x8 automatically reduce the current requirement to 7 mA (IAVDD) after finishing a conversion; thus, the end of conversion actually activates this power-down mode. Triggering a new conversion by applying a positive CONVST\_x edge starts the wake-up sequence to put the device back into normal operation. At the beginning, all required building blocks power-up and the sampling switches close again. This sequence takes six to seven conversion clock cycles of either the internal or external clock. During this time, the sampling capacitance must be recharged to the input signal with the required 12-bit, 14-bit, or 16-bit accuracy level. The bandwidth requirements of the driving operational amplifier described in the [Analog Inputs](#) section must be fulfilled. At the end of the sequence, the new sample is taken and the conversion starts automatically, as shown in [Figure 43](#). Therefore, a complete conversion process takes 25 to 26 conversion clock cycles; thus, the maximum throughput rate in auto-sleep mode is reduced to a maximum of 400 kSPS for the ADS8528, 375 kSPS for the ADS8548, and 330 kSPS for the ADS8568 in serial interface mode. In parallel mode, the maximum data rates are 510 kSPS for the ADS8528, 470 kSPS for the ADS8548, and 400 kSPS for the ADS8568. If enabled, the internal reference remains active during auto-sleep mode. [Table 4](#) compares the analog current requirements of the device in different modes.



**Figure 43. Auto-Sleep Power-Down Mode**

**Table 4. Maximum Analog Current (IAVDD) Demand of the ADS85x8**

OPERATIONAL MODE	ANALOG CURRENT (IAVDD)	ENABLED, DISABLED BY	ACTIVATED BY	NORMAL OPERATION TO POWER-DOWN DELAY	RESUMED BY	POWER-UP TO NORMAL OPERATION DELAY	POWER-UP TO NEXT CONVERSION START TIME
Normal operation	12.5 mA/ch pair at maximum data rate	Power on	CONVST_x	—	—	—	—
		Power off					
Auto-sleep	1.75 mA/ch pair	ASLEEP = 1	Each end of conversion	At BUSY falling edge	CONVST_x	Immediate	$7 \times t_{\text{CLK max}}$
		ASLEEP = 0					
Power-down of channel pair X	16 $\mu\text{A}$ (channel pair X)	$\overline{\text{HW}}/\text{SW} = 1$	PD_x = 1 (CONFIG bit)	Immediate	PD_x = 0 (CONFIG bit)	Immediate after completing CONFIG update	10 ms
		$\overline{\text{HW}}/\text{SW} = 0$					
Power-down (entire device)	30 $\mu\text{A}$	Power on	$\overline{\text{STBY}} = 0$	Immediate	$\overline{\text{STBY}} = 1$	Immediate	10 ms
		Power off					

## 9.5 Register Maps

### 9.5.1 Configuration (CONFIG) Register

The Configuration register settings can only be changed in software mode and are not affected when switching to hardware mode thereafter. The register values are independent from input pin settings. Changes are active with the second  $\overline{WR}$  rising edge in parallel interface mode or with the 32nd SCLK falling edge of the access where the register content is updated in serial mode. The CONFIG content is defined in [CONFIG: Configuration Register \(default = 000003FFh\)](#).

#### 9.5.1.1 CONFIG: Configuration Register (default = 000003FFh)

**Figure 44. CONFIG Register**

31	30	29	28	27	26	25	24
WRITE_EN	READ_EN	CLKSEL	CLKOUT	BUSY/INT	BUSY_POL	STBY	RANGE_A
23	22	21	20	19	18	17	16
RANGE_B	PD_B	RANGE_C	PD_C	RANGE_D	PD_D	Don't care	Don't care
15	14	13	12	11	10	9	8
REFEN	REFBUF	VREF	Don't care	Don't care	Don't care	D9	D8
7	6	5	4	3	2	1	0
D7	D6	D5	D4	D3	D2	D1	D0

#### Bit 31 **WRITE\_EN: Register update enable**

This bit is not active in hardware mode.  
0 = Register content update disabled (default)  
1 = Register content update enabled

#### Bit 30 **READ\_EN: Register read-out access enable**

This bit is not active in hardware mode.  
0 = Normal operation (conversion results available on SDO\_A)  
1 = Configuration register contents output on SDO\_A with next two accesses (READ\_EN automatically resets to 0 thereafter)

#### Bit 29 **CLKSEL: Conversion clock selector**

This bit is active in hardware mode.  
0 = Normal operation with internal conversion clock; mandatory in hardware mode (default)  
1 = External conversion clock applied through pin 34 (XCLK) is used (conversion takes 19 clock cycles)

#### Bit 28 **CLKOUT: Internal conversion clock output enable**

This bit is not active in hardware mode.  
0 = Normal operation (default)  
1 = Internal conversion clock is available at pin 34

#### Bit 27 **BUSY/INT: Busy/interrupt selector**

This bit is active in hardware mode.  
0 = BUSY/INT pin is in BUSY mode (default)  
1 = BUSY/INT pin is in interrupt mode (INT); can only be used if all eight channels are sampled simultaneously (all CONVST\_x tied together)

#### Bit 26 **BUSY\_POL: BUSY/INT polarity selector**

This bit is active in hardware mode.  
0 = BUSY/INT active high (default)  
1 = BUSY/INT active low

- Bit 25**            **STBY: Power-down enable**  
 This bit is not active in hardware mode.  
 0 = Normal operation (default)  
 1 = Entire device is powered down (including the internal clock and reference)
- Bit 24**            **RANGE\_A: Input voltage range selector for channel pair A**  
 This bit is not active in hardware mode.  
 0 = Input voltage range: 4 VREF (default)  
 1 = Input voltage range: 2 VREF
- Bit 23**            **RANGE\_B: Input voltage range selector for channel pair B**  
 This bit is not active in hardware mode.  
 0 = Input voltage range: 4 VREF (default)  
 1 = Input voltage range: 2 VREF
- Bit 22**            **PD\_B: Power-down enable for channel pair B**  
 This bit is active in hardware mode.  
 0 = Normal operation (default)  
 1 = Channel pair B is powered down
- Bit 21**            **RANGE\_C: Input voltage range selector for channel pair C**  
 This bit is not active in hardware mode.  
 0 = Input voltage range: 4 VREF (default)  
 1 = Input voltage range: 2 VREF
- Bit 20**            **PD\_C: Power-down enable for channel pair C**  
 This bit is active in hardware mode.  
 0 = Normal operation (default)  
 1 = Channel pair C is powered down
- Bit 19**            **RANGE\_D: Input voltage range selector for channel pair D**  
 This bit is not active in hardware mode.  
 0 = Input voltage range: 4 VREF (default)  
 1 = Input voltage range: 2 VREF
- Bit 18**            **PD\_D: Power-down enable for channel pair D**  
 This bit is active in hardware mode.  
 0 = Normal operation (default)  
 1 = Channel pair D is powered down
- Bits 17-16**        **Not used (default = 0)**
- Bit 15**            **REF\_EN: Internal reference enable**  
 This bit is not active in hardware mode.  
 0 = Internal reference source disabled (default)  
 1 = Internal reference source enabled
- Bit 14**            **REFBUF: Internal reference buffers disable**  
 This bit is active in hardware mode if the parallel interface is used.  
 0 = Internal reference buffers enabled (default)  
 1 = Internal reference buffers disabled
- Bit 13**            **VREF: Internal reference voltage selector**  
 This bit is active in hardware mode.  
 0 = Internal reference voltage set to 2.5 V (default)  
 1 = Internal reference voltage set to 3.0 V
- Bits 12-10**        **Not used (default = 0)**



**Bits 9-0****D[9:0]: REFDAC setting bits**

These bits are active in hardware mode.

These bits correspond to the settings of the internal reference DACs (compare to the [Reference](#) section). Bit 9 is the MSB of the DAC. Default value is 3FFh (2.5 V, typ).

## 10 Application and Implementation

---

### NOTE

Information in the following applications sections is not part of the TI component specification, and TI does not warrant its accuracy or completeness. TI's customers are responsible for determining suitability of components for their purposes. Customers should validate and test their design implementation to confirm system functionality.

---

### 10.1 Application Information

The ADS85x8 enables high-precision measurement of up to eight analog signals simultaneously. The [Typical Application](#) section summarizes some of the typical use cases for the ADS85x8 and the main steps and components used around the analog-to-digital converter (ADC).

### 10.2 Typical Application

The accurate measurement of electrical variables in a power grid is extremely critical because this measurement helps determine the operating status and running quality of the grid. Such accurate measurements also help diagnose problems with the power network, thereby enabling prompt solutions and minimizing down time. The key electrical variables measured in 3-phase power systems are the three line voltages, the neutral voltage at the load, the three line currents, and the neutral return current; see [Figure 45](#). These variables enable metrology and power automation systems to determine the amplitude, frequency, and phase information in order to perform harmonic analysis, power factor calculations, and power quality assessment, among others.

Typical Application (continued)

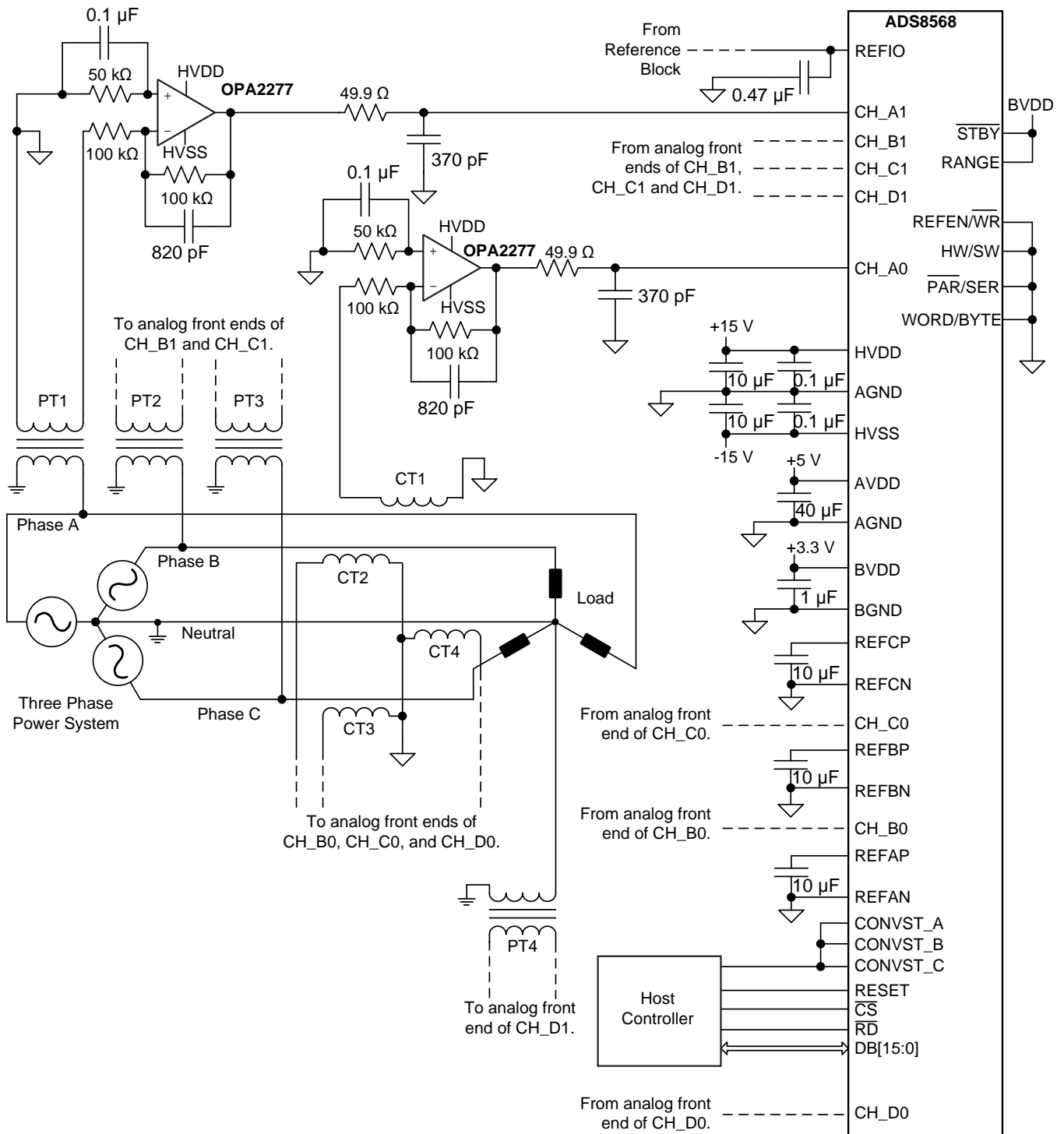


Figure 45. Simultaneous Acquisition of Voltage and Current in a 3-Phase Power System

## Typical Application (continued)

### 10.2.1 Design Requirements

To begin the design process, a few parameters must be decided upon. The designer must know the following:

- Output range of the potential transformers (elements labeled PT1, PT2, and PT3 in Figure 45)
- Output range of the current transformers (elements labeled CT1, CT2, and CT3 in Figure 45)
- Input impedance required from the analog front-end for each channel
- Fundamental frequency of the power system
- Number of harmonics that must be acquired, and
- Type of signal conditioning required from the analog front-end for each channel

### 10.2.2 Detailed Design Procedure

Figure 46 shows the topology chosen to meet the design requirements.

#### NOTE

A feedback capacitor  $C_F$  is included in order to provide a low-pass filter characteristic and attenuate signals outside the band of interest.

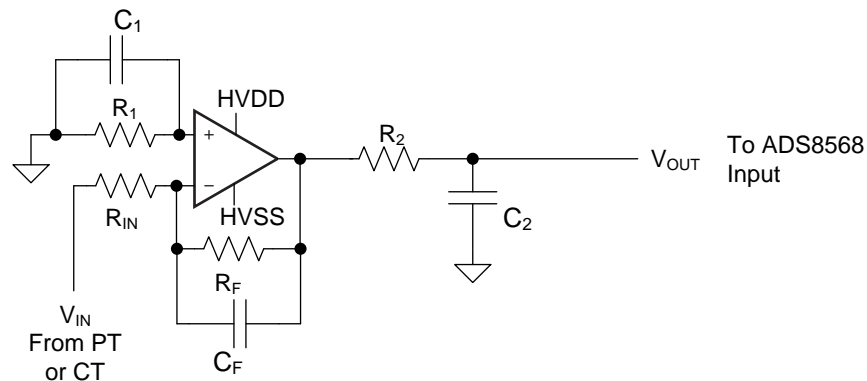


Figure 46. Op Amp in an Inverting Configuration

The potential transformers and current transformers used in the system depicted in Figure 45 provide the eight inputs required. These transformers have a  $\pm 10$ -V output range. Although the PT and CT elements provide isolation from the power system, the value of  $R_{IN}$  is selected as 100 k $\Omega$  in order to provide an additional, high-impedance safety element in the current path leading up to the input of the ADC. Moreover, selecting a low-frequency gain of  $-1$  V/V (as shown in Equation 5) provides a  $\pm 10$ -V output that can be fed into the ADS8568; therefore, the value of  $R_F$  is selected as 100 k $\Omega$  too.

$$V_{out} |_{Low f} = -\frac{R_F}{R_{IN}} V_{in} = -\frac{100 \text{ k}\Omega}{100 \text{ k}\Omega} V_{in} = -V_{in} \quad (5)$$

The primary goal of the acquisition system depicted in Figure 45 is to measure up to 20 harmonics in a 60-Hz power network. With this goal in mind, the analog front-end must have sufficient bandwidth to measure signals up to 1260 Hz as shown in Equation 6.

$$f_{MAX} = (20 + 1)60 \text{ Hz} = 1260 \text{ Hz} \quad (6)$$

Based on the bandwidth from in Equation 6, the ADS8568 is set to simultaneously sample all six channels at 15.36 kSPS, thus providing enough samples to clearly resolve even the highest harmonic required.

The passband of the configuration shown in Figure 46 is determined by the  $-3$ -dB frequency according to Equation 7. The value of  $C_F$  is selected as 820 pF because  $C_F$  is a standard capacitance value available in 0603 size (surface-mount component) and such values, combined with that of  $R_F$ , result in sufficient bandwidth to accommodate the required 20 harmonics (at 60 Hz).

**Typical Application (continued)**

$$f_{-3dB} = \frac{1}{2\pi R_F C_F} = \frac{1}{2\pi (100\text{ k}\Omega)(820\text{ pF})} = 1940\text{ Hz} \quad (7)$$

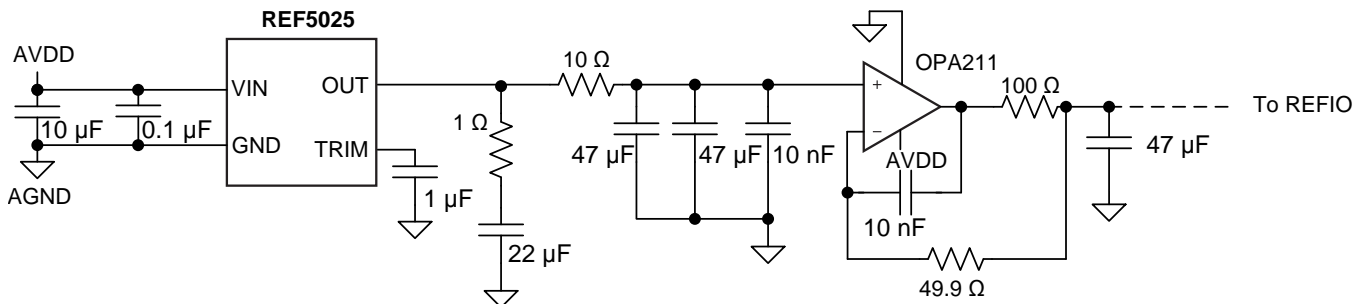
The value of  $R_1$  is selected as the parallel combination of  $R_{IN}$  and  $R_F$  to prevent the input bias current of the operational amplifier from generating an offset error.

The value of component  $C_1$  is chosen as  $0.1\text{ }\mu\text{F}$  to provide a low-impedance path for noise signals that can be picked up by  $R_1$ , thus improving the EMI robustness and noise performance of the system.

The [OPA2277](#) is chosen for its low input offset voltage, low drift, bipolar swing, sufficient gain-bandwidth product, and low quiescent current. For additional information on the procedure to select SAR ADC input drivers, see the TIPD151 verified design guide, [16-Bit 100-KSPS 4-Channel Multiplexed Data Acquisition System Design Guide](#).

The charge injection damping circuit is composed by  $R_2$  ( $49.9\text{ }\Omega$ ) and  $C_2$  ( $370\text{ pF}$ ); these components reject high-frequency noise and meet the settling requirements of the ADS8568 input.

[Figure 47](#) shows the reference block used in this design.



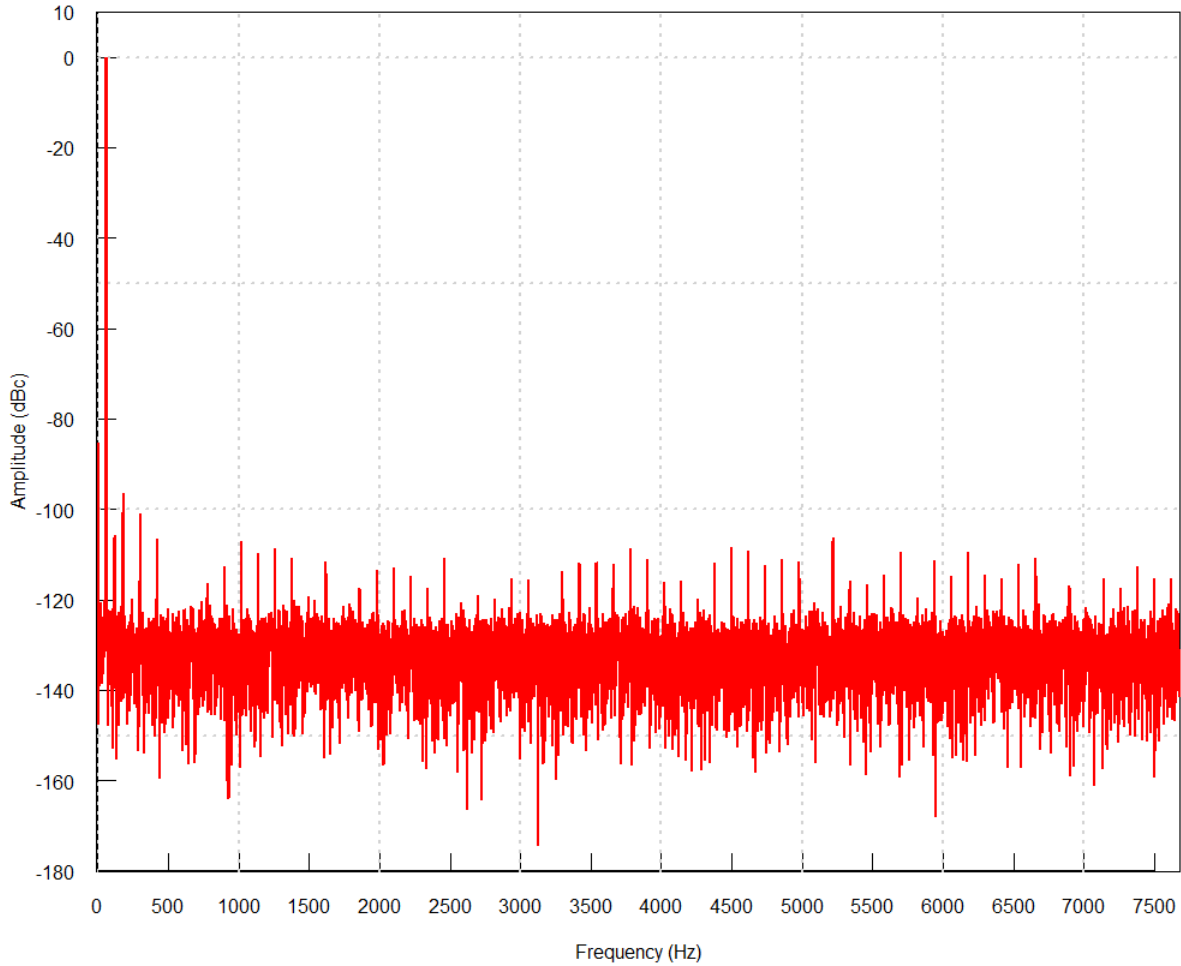
**Figure 47. Reference Block**

For more information on the design of charge injection damping circuits and reference driving circuits for SAR ADCs, see the TIPD149 verified design reference guide, [Power-Optimized 16-Bit 1-MSPS Data Acquisition Block for Lowest Distortion and Noise](#).

**Typical Application (continued)**

**10.2.3 Application Curve**

Figure 48 shows the frequency spectrum of the data acquired by the ADS8568 for a sinusoidal, 20-V<sub>PP</sub> input at 60 Hz.



**Figure 48. Frequency Spectrum for a Sinusoidal 20-V<sub>PP</sub> Signal at 60 Hz**

The ac performance parameters are:

- SNR: 91.16 dB
- THD: -94.34 dB
- SNDR: 89.45 dB
- SFDR: 96.56 dB

## 11 Power Supply Recommendations

The ADS85x8 require four separate supplies: an analog supply for the ADC (AVDD), the buffer I/O supply for the digital interface (DVDD), and the two high-voltage supplies driving the analog input circuitry (HVDD and HVSS). Generally, there are no specific requirements with regard to the power sequencing of the device. However, when HVDD is supplied before AVDD, the internal electrostatic discharge (ESD) structure conducts, increasing the IHVDD beyond the specified value until AVDD is applied.

The AVDD supply provides power to the internal circuitry of the ADC. If run at maximum data rate, the IAVDD is too high to allow use of a passive filter between the digital board supply of the application and the AVDD pins. A linear regulator is recommended to generate the analog supply voltage. Decouple each AVDD pin to AGND with a 100-nF ceramic capacitor. In addition, place a single 10- $\mu$ F capacitor close to the device but without compromising the placement of the smaller capacitors. Optionally, each supply pin can be decoupled using a 1- $\mu$ F ceramic capacitor without the requirement of the additional 10- $\mu$ F capacitor.

The DVDD supply is only used to drive the digital I/O buffers and allows seamless interface with most state-of-the-art processors and controllers. Resulting from the low IDVDD value, a 10- $\Omega$  series resistor can be used on the DVDD pin to reduce the noise energy from the external digital circuitry influencing the performance of the device. Place a 1- $\mu$ F bypass ceramic capacitor (or alternatively, a pair of 100-nF and 10- $\mu$ F capacitors) between pins 24 and 25.

The high-voltage supplies (HVSS and HVDD) are connected to the analog inputs. These supplies are not required to be of symmetrical nature with regard to AGND. Noise and glitches on these supplies directly couple into the input signals. Place a 100-nF ceramic decoupling capacitor, located as close to the device as possible, between pins 1, 48, and AGND. An additional 10- $\mu$ F capacitor is used that must be placed close to the device but without compromising the placement of the smaller capacitors.

## 12 Layout

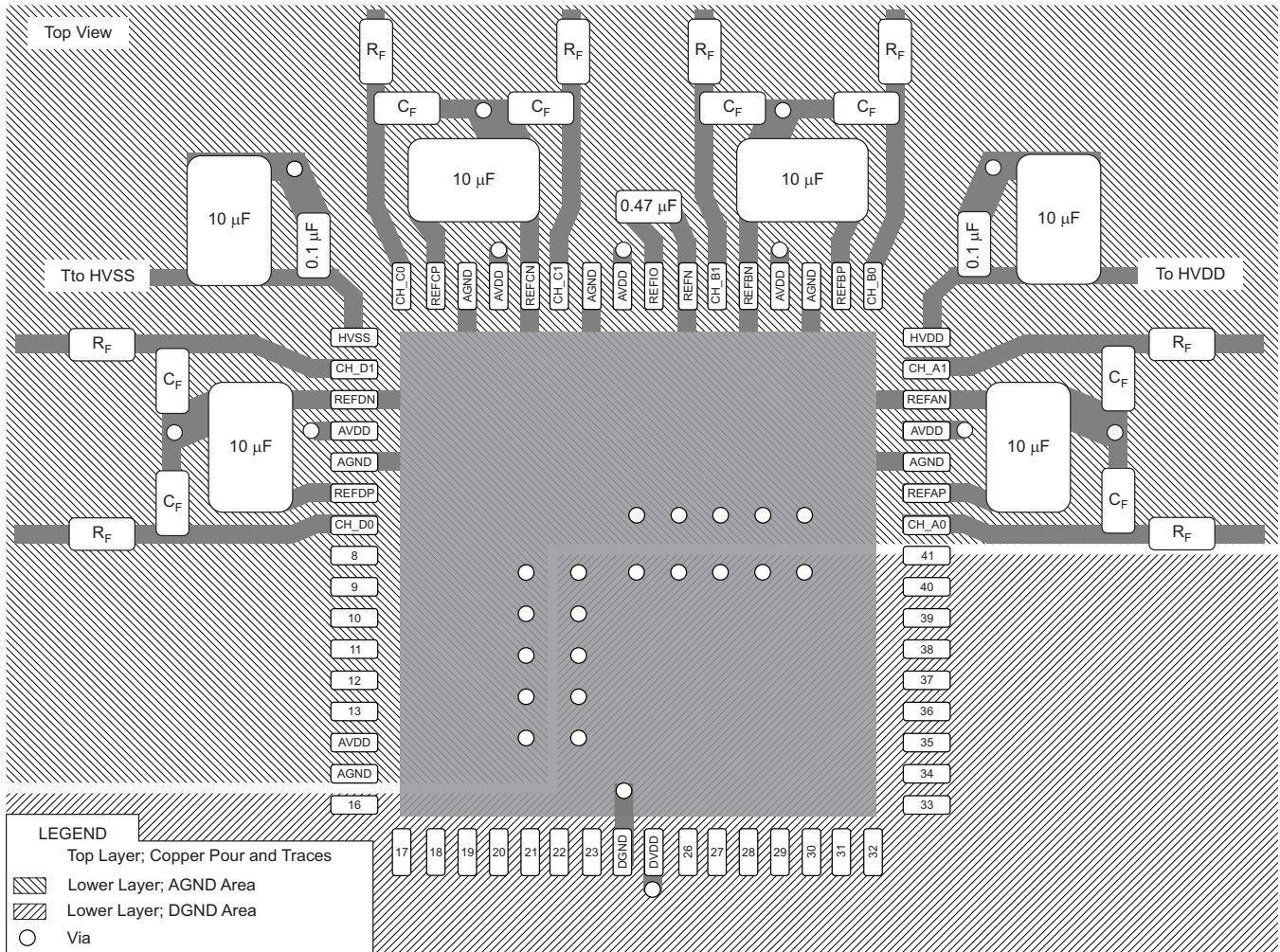
### 12.1 Layout Guidelines

All ground pins must be connected to a clean ground reference. Keep this connection as short as possible to minimize the inductance of these paths. Using vias is recommended to connect the pads directly to the corresponding ground plane. In designs without ground planes, keep the ground trace as wide and as short as possible to reduce inductance. Avoid connections that are too close to the grounding point of a microcontroller or digital signal processor.

Depending on the circuit density on the board, placement of the analog and digital components, and the related current loops, a single solid ground plane for the entire printed circuit board (PCB) or dedicated analog and digital ground areas can be used. In case of separated ground areas, ensure that a low-impedance connection is between the analog and digital ground of the ADC by placing a bridge underneath (or next to) the ADC. Otherwise, even short undershoots on the digital interface with a value less than  $-300$  mV lead to the conduction of ESD diodes, causing current to flow through the substrate and either degrading the analog performance or even damaging the device. Using a common ground plane underneath the device is recommended as a local ground reference for all xGND pins; see [Figure 49](#). During PCB layout, care must be taken to avoid any return currents crossing sensitive analog areas or signals.

## 12.2 Layout Example

Figure 49 shows a layout recommendation for the ADS85x8 along with the proper decoupling and reference capacitors placement and connections. The layout recommendation takes into account the actual size of the components used.



- (1) All AVDD and DVDD decoupling capacitors are placed on the bottom layer underneath the device power-supply pins and are connected by vias. All 100-nF ceramic capacitors are placed as close as possible to the device and the 10-µF capacitors are also placed close but without compromising the placement of the smaller capacitors.

Figure 49. Layout Recommendation

## 13 器件和文档支持

### 13.1 文档支持

#### 13.1.1 相关文档

相关文档如下：

- 《OPA2277 数据表》，[SBOS079](#)
- REF5025 数据表，[SBOS410](#)
- TIPD151 经验证的设计指南，《[16 位 100KSPS 4 通道多路复用数据采集系统设计指南](#)》
- TIPD149 经验证的设计参考指南，《[适用于实现最低失真和最低噪声的功耗优化型 16 位 1MSPS 数据采集模块](#)》

### 13.2 相关链接

下面的表格列出了快速访问链接。范围包括技术文档、支持和社区资源、工具和软件，以及样片或购买的快速访问。

表 5. 相关链接

器件	产品文件夹	样片与购买	技术文档	工具与软件	支持与社区
ADS8528	<a href="#">请单击此处</a>	<a href="#">请单击此处</a>	<a href="#">请单击此处</a>	<a href="#">请单击此处</a>	<a href="#">请单击此处</a>
ADS8548	<a href="#">请单击此处</a>	<a href="#">请单击此处</a>	<a href="#">请单击此处</a>	<a href="#">请单击此处</a>	<a href="#">请单击此处</a>
ADS8568	<a href="#">请单击此处</a>	<a href="#">请单击此处</a>	<a href="#">请单击此处</a>	<a href="#">请单击此处</a>	<a href="#">请单击此处</a>

### 13.3 社区资源

The following links connect to TI community resources. Linked contents are provided "AS IS" by the respective contributors. They do not constitute TI specifications and do not necessarily reflect TI's views; see TI's [Terms of Use](#).

**TI E2E™ Online Community** *TI's Engineer-to-Engineer (E2E) Community*. Created to foster collaboration among engineers. At [e2e.ti.com](http://e2e.ti.com), you can ask questions, share knowledge, explore ideas and help solve problems with fellow engineers.

**Design Support** *TI's Design Support* Quickly find helpful E2E forums along with design support tools and contact information for technical support.

### 13.4 商标

E2E is a trademark of Texas Instruments.

All other trademarks are the property of their respective owners.

### 13.5 静电放电警告



这些装置包含有限的内置 ESD 保护。存储或装卸时，应将导线一起截短或将装置放置于导电泡棉中，以防止 MOS 门极遭受静电损伤。

### 13.6 Glossary

[SLYZ022](#) — *TI Glossary*.

This glossary lists and explains terms, acronyms, and definitions.

## 14 机械、封装和可订购信息

以下页中包括机械、封装和可订购信息。这些信息是针对指定器件可提供的最新数据。这些数据会在无通知且不对本文档进行修订的情况下发生改变。欲获得该数据表的浏览器版本，请查阅左侧的导航栏。



**PACKAGING INFORMATION**

Orderable part number	Status (1)	Material type (2)	Package   Pins	Package qty   Carrier	RoHS (3)	Lead finish/ Ball material (4)	MSL rating/ Peak reflow (5)	Op temp (°C)	Part marking (6)
<a href="#">ADS8528SPM</a>	Active	Production	LQFP (PM)   64	160   JEDEC TRAY (10+1)	Yes	NIPDAU	Level-3-260C-168 HR	-40 to 125	ADS8528
ADS8528SPM.A	Active	Production	LQFP (PM)   64	160   JEDEC TRAY (10+1)	Yes	NIPDAU	Level-3-260C-168 HR	-40 to 125	ADS8528
<a href="#">ADS8528SPMR</a>	Active	Production	LQFP (PM)   64	1000   LARGE T&R	Yes	NIPDAU	Level-3-260C-168 HR	-40 to 125	ADS8528
ADS8528SPMR.A	Active	Production	LQFP (PM)   64	1000   LARGE T&R	Yes	NIPDAU	Level-3-260C-168 HR	-40 to 125	ADS8528
<a href="#">ADS8528SRGCR</a>	Active	Production	VQFN (RGC)   64	2000   LARGE T&R	Yes	NIPDAU	Level-3-260C-168 HR	-40 to 125	ADS8528
ADS8528SRGCR.A	Active	Production	VQFN (RGC)   64	2000   LARGE T&R	Yes	NIPDAU	Level-3-260C-168 HR	-40 to 125	ADS8528
<a href="#">ADS8528SRGCT</a>	Active	Production	VQFN (RGC)   64	250   SMALL T&R	Yes	NIPDAU	Level-3-260C-168 HR	-40 to 125	ADS8528
ADS8528SRGCT.A	Active	Production	VQFN (RGC)   64	250   SMALL T&R	Yes	NIPDAU	Level-3-260C-168 HR	-40 to 125	ADS8528
ADS8528SRGCTG4	Active	Production	VQFN (RGC)   64	250   SMALL T&R	Yes	NIPDAU	Level-3-260C-168 HR	-40 to 125	ADS8528
ADS8528SRGCTG4.A	Active	Production	VQFN (RGC)   64	250   SMALL T&R	Yes	NIPDAU	Level-3-260C-168 HR	-40 to 125	ADS8528
<a href="#">ADS8548SPM</a>	Active	Production	LQFP (PM)   64	160   JEDEC TRAY (10+1)	Yes	NIPDAU	Level-3-260C-168 HR	-40 to 125	ADS8548
ADS8548SPM.A	Active	Production	LQFP (PM)   64	160   JEDEC TRAY (10+1)	Yes	NIPDAU	Level-3-260C-168 HR	-40 to 125	ADS8548
ADS8548SPM.B	Active	Production	LQFP (PM)   64	160   JEDEC TRAY (10+1)	Yes	NIPDAU	Level-3-260C-168 HR	-40 to 125	ADS8548
<a href="#">ADS8548SPMR</a>	Active	Production	LQFP (PM)   64	1000   LARGE T&R	Yes	NIPDAU	Level-3-260C-168 HR	-40 to 125	ADS8548
ADS8548SPMR.A	Active	Production	LQFP (PM)   64	1000   LARGE T&R	Yes	NIPDAU	Level-3-260C-168 HR	-40 to 125	ADS8548
ADS8548SPMR.B	Active	Production	LQFP (PM)   64	1000   LARGE T&R	Yes	NIPDAU	Level-3-260C-168 HR	-40 to 125	ADS8548
<a href="#">ADS8548SRGCR</a>	Active	Production	VQFN (RGC)   64	2000   LARGE T&R	Yes	NIPDAU	Level-3-260C-168 HR	-40 to 125	ADS8548
ADS8548SRGCR.A	Active	Production	VQFN (RGC)   64	2000   LARGE T&R	Yes	NIPDAU	Level-3-260C-168 HR	-40 to 125	ADS8548
ADS8548SRGCR.B	Active	Production	VQFN (RGC)   64	2000   LARGE T&R	Yes	NIPDAU	Level-3-260C-168 HR	-40 to 125	ADS8548
<a href="#">ADS8548SRGCT</a>	Active	Production	VQFN (RGC)   64	250   SMALL T&R	Yes	NIPDAU	Level-3-260C-168 HR	-40 to 125	ADS8548
ADS8548SRGCT.A	Active	Production	VQFN (RGC)   64	250   SMALL T&R	Yes	NIPDAU	Level-3-260C-168 HR	-40 to 125	ADS8548
ADS8548SRGCT.B	Active	Production	VQFN (RGC)   64	250   SMALL T&R	Yes	NIPDAU	Level-3-260C-168 HR	-40 to 125	ADS8548
<a href="#">ADS8568SPM</a>	Active	Production	LQFP (PM)   64	160   JEDEC TRAY (10+1)	Yes	NIPDAU	Level-3-260C-168 HR	-40 to 125	ADS8568
ADS8568SPM.A	Active	Production	LQFP (PM)   64	160   JEDEC TRAY (10+1)	Yes	NIPDAU	Level-3-260C-168 HR	-40 to 125	ADS8568

Orderable part number	Status (1)	Material type (2)	Package   Pins	Package qty   Carrier	RoHS (3)	Lead finish/ Ball material (4)	MSL rating/ Peak reflow (5)	Op temp (°C)	Part marking (6)
ADS8568SPMG4	Active	Production	LQFP (PM)   64	160   JEDEC TRAY (10+1)	Yes	NIPDAU	Level-3-260C-168 HR	-40 to 125	ADS8568
ADS8568SPMG4.A	Active	Production	LQFP (PM)   64	160   JEDEC TRAY (10+1)	Yes	NIPDAU	Level-3-260C-168 HR	-40 to 125	ADS8568
<a href="#">ADS8568SPMR</a>	Active	Production	LQFP (PM)   64	1000   LARGE T&R	Yes	NIPDAU	Level-3-260C-168 HR	-40 to 125	ADS8568
ADS8568SPMR.A	Active	Production	LQFP (PM)   64	1000   LARGE T&R	Yes	NIPDAU	Level-3-260C-168 HR	-40 to 125	ADS8568
<a href="#">ADS8568SRGCR</a>	Active	Production	VQFN (RGC)   64	2000   LARGE T&R	Yes	NIPDAU	Level-3-260C-168 HR	-40 to 125	ADS8568
ADS8568SRGCR.A	Active	Production	VQFN (RGC)   64	2000   LARGE T&R	Yes	NIPDAU	Level-3-260C-168 HR	-40 to 125	ADS8568
<a href="#">ADS8568SRGCT</a>	Active	Production	VQFN (RGC)   64	250   SMALL T&R	Yes	NIPDAU	Level-3-260C-168 HR	-40 to 125	ADS8568
ADS8568SRGCT.A	Active	Production	VQFN (RGC)   64	250   SMALL T&R	Yes	NIPDAU	Level-3-260C-168 HR	-40 to 125	ADS8568
ADS8568SRGCTG4	Active	Production	VQFN (RGC)   64	250   SMALL T&R	Yes	NIPDAU	Level-3-260C-168 HR	-40 to 125	ADS8568
ADS8568SRGCTG4.A	Active	Production	VQFN (RGC)   64	250   SMALL T&R	Yes	NIPDAU	Level-3-260C-168 HR	-40 to 125	ADS8568

(1) **Status:** For more details on status, see our [product life cycle](#).

(2) **Material type:** When designated, preproduction parts are prototypes/experimental devices, and are not yet approved or released for full production. Testing and final process, including without limitation quality assurance, reliability performance testing, and/or process qualification, may not yet be complete, and this item is subject to further changes or possible discontinuation. If available for ordering, purchases will be subject to an additional waiver at checkout, and are intended for early internal evaluation purposes only. These items are sold without warranties of any kind.

(3) **RoHS values:** Yes, No, RoHS Exempt. See the [TI RoHS Statement](#) for additional information and value definition.

(4) **Lead finish/Ball material:** Parts may have multiple material finish options. Finish options are separated by a vertical ruled line. Lead finish/Ball material values may wrap to two lines if the finish value exceeds the maximum column width.

(5) **MSL rating/Peak reflow:** The moisture sensitivity level ratings and peak solder (reflow) temperatures. In the event that a part has multiple moisture sensitivity ratings, only the lowest level per JEDEC standards is shown. Refer to the shipping label for the actual reflow temperature that will be used to mount the part to the printed circuit board.

(6) **Part marking:** There may be an additional marking, which relates to the logo, the lot trace code information, or the environmental category of the part.

Multiple part markings will be inside parentheses. Only one part marking contained in parentheses and separated by a "-" will appear on a part. If a line is indented then it is a continuation of the previous line and the two combined represent the entire part marking for that device.

**Important Information and Disclaimer:** The information provided on this page represents TI's knowledge and belief as of the date that it is provided. TI bases its knowledge and belief on information provided by third parties, and makes no representation or warranty as to the accuracy of such information. Efforts are underway to better integrate information from third parties. TI has taken and continues to take reasonable steps to provide representative

and accurate information but may not have conducted destructive testing or chemical analysis on incoming materials and chemicals. TI and TI suppliers consider certain information to be proprietary, and thus CAS numbers and other limited information may not be available for release.

In no event shall TI's liability arising out of such information exceed the total purchase price of the TI part(s) at issue in this document sold by TI to Customer on an annual basis.

**TAPE AND REEL INFORMATION**

**QUADRANT ASSIGNMENTS FOR PIN 1 ORIENTATION IN TAPE**


\*All dimensions are nominal

Device	Package Type	Package Drawing	Pins	SPQ	Reel Diameter (mm)	Reel Width W1 (mm)	A0 (mm)	B0 (mm)	K0 (mm)	P1 (mm)	W (mm)	Pin1 Quadrant
ADS8528SPMR	LQFP	PM	64	1000	330.0	24.4	13.0	13.0	2.1	16.0	24.0	Q2
ADS8528SRGCR	VQFN	RGC	64	2000	330.0	16.4	9.3	9.3	1.1	12.0	16.0	Q2
ADS8528SRGCT	VQFN	RGC	64	250	180.0	16.4	9.3	9.3	1.1	12.0	16.0	Q2
ADS8528SRGCTG4	VQFN	RGC	64	250	180.0	16.4	9.3	9.3	1.1	12.0	16.0	Q2
ADS8548SPMR	LQFP	PM	64	1000	330.0	24.4	13.0	13.0	2.1	16.0	24.0	Q2
ADS8548SRGCR	VQFN	RGC	64	2000	330.0	16.4	9.3	9.3	1.1	12.0	16.0	Q2
ADS8548SRGCT	VQFN	RGC	64	250	180.0	16.4	9.3	9.3	1.1	12.0	16.0	Q2
ADS8568SPMR	LQFP	PM	64	1000	330.0	24.4	13.0	13.0	2.1	16.0	24.0	Q2
ADS8568SRGCR	VQFN	RGC	64	2000	330.0	16.4	9.3	9.3	1.1	12.0	16.0	Q2
ADS8568SRGCT	VQFN	RGC	64	250	180.0	16.4	9.3	9.3	1.1	12.0	16.0	Q2
ADS8568SRGCTG4	VQFN	RGC	64	250	180.0	16.4	9.3	9.3	1.1	12.0	16.0	Q2

**TAPE AND REEL BOX DIMENSIONS**


\*All dimensions are nominal

Device	Package Type	Package Drawing	Pins	SPQ	Length (mm)	Width (mm)	Height (mm)
ADS8528SPMR	LQFP	PM	64	1000	350.0	350.0	43.0
ADS8528SRGCR	VQFN	RGC	64	2000	367.0	367.0	38.0
ADS8528SRGCT	VQFN	RGC	64	250	210.0	185.0	35.0
ADS8528SRGCTG4	VQFN	RGC	64	250	210.0	185.0	35.0
ADS8548SPMR	LQFP	PM	64	1000	350.0	350.0	43.0
ADS8548SRGCR	VQFN	RGC	64	2000	367.0	367.0	38.0
ADS8548SRGCT	VQFN	RGC	64	250	210.0	185.0	35.0
ADS8568SPMR	LQFP	PM	64	1000	350.0	350.0	43.0
ADS8568SRGCR	VQFN	RGC	64	2000	367.0	367.0	38.0
ADS8568SRGCT	VQFN	RGC	64	250	210.0	185.0	35.0
ADS8568SRGCTG4	VQFN	RGC	64	250	210.0	185.0	35.0

**TRAY**


Chamfer on Tray corner indicates Pin 1 orientation of packed units.

\*All dimensions are nominal

Device	Package Name	Package Type	Pins	SPQ	Unit array matrix	Max temperature (°C)	L (mm)	W (mm)	K0 (µm)	P1 (mm)	CL (mm)	CW (mm)
ADS8528SPM	PM	LQFP	64	160	8 X 20	150	315	135.9	7620	15.2	13.1	13
ADS8528SPM.A	PM	LQFP	64	160	8 X 20	150	315	135.9	7620	15.2	13.1	13
ADS8548SPM	PM	LQFP	64	160	8 X 20	150	315	135.9	7620	15.2	13.1	13
ADS8548SPM.A	PM	LQFP	64	160	8 X 20	150	315	135.9	7620	15.2	13.1	13
ADS8548SPM.B	PM	LQFP	64	160	8 X 20	150	315	135.9	7620	15.2	13.1	13
ADS8568SPM	PM	LQFP	64	160	8 X 20	150	315	135.9	7620	15.2	13.1	13
ADS8568SPM.A	PM	LQFP	64	160	8 X 20	150	315	135.9	7620	15.2	13.1	13
ADS8568SPMG4	PM	LQFP	64	160	8 X 20	150	315	135.9	7620	15.2	13.1	13
ADS8568SPMG4.A	PM	LQFP	64	160	8 X 20	150	315	135.9	7620	15.2	13.1	13



4215162/A 03/2017

NOTES:

1. All linear dimensions are in millimeters. Any dimensions in parenthesis are for reference only. Dimensioning and tolerancing per ASME Y14.5M.
2. This drawing is subject to change without notice.
3. This dimension does not include mold flash, protrusions, or gate burrs. Mold flash, protrusions, or gate burrs shall not exceed 0.15 mm per side.
4. Reference JEDEC registration MS-026.

# EXAMPLE BOARD LAYOUT

PM0064A

LQFP - 1.6 mm max height

PLASTIC QUAD FLATPACK



LAND PATTERN EXAMPLE  
EXPOSED METAL SHOWN  
SCALE:8X



SOLDER MASK DETAILS

4215162/A 03/2017

NOTES: (continued)

5. Publication IPC-7351 may have alternate designs.
6. Solder mask tolerances between and around signal pads can vary based on board fabrication site.
7. For more information, see Texas Instruments literature number SLMA004 ([www.ti.com/lit/slma004](http://www.ti.com/lit/slma004)).



# EXAMPLE STENCIL DESIGN

PM0064A

LQFP - 1.6 mm max height

PLASTIC QUAD FLATPACK



NOTES: (continued)

- 8. Laser cutting apertures with trapezoidal walls and rounded corners may offer better paste release. IPC-7525 may have alternate design recommendations.
- 9. Board assembly site may have different recommendations for stencil design.

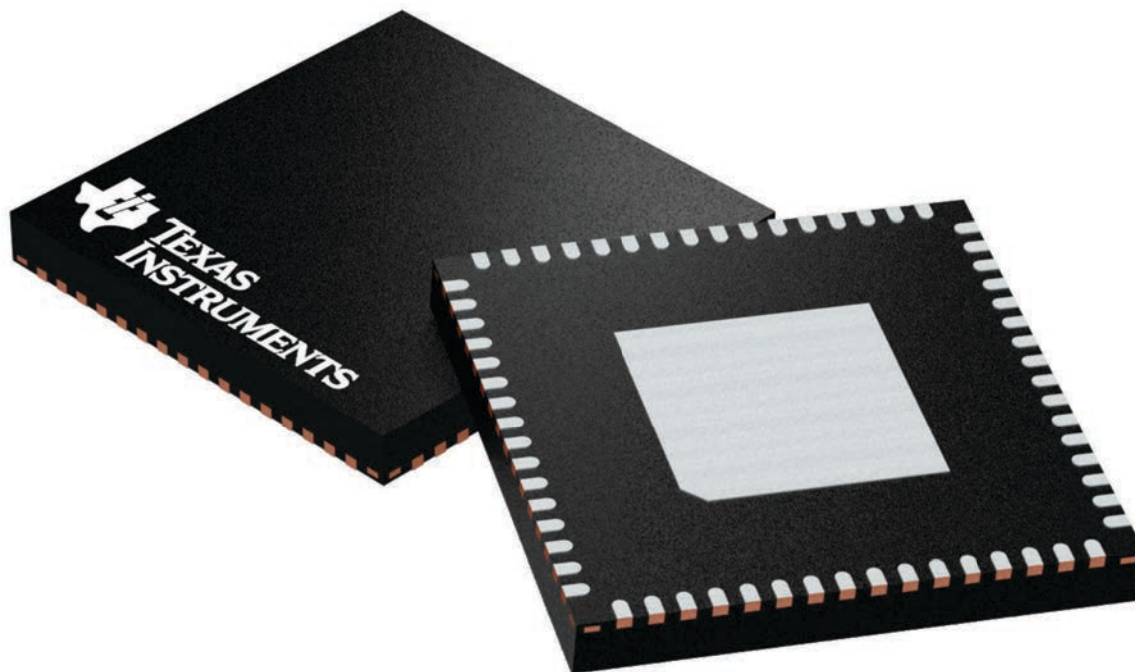
## GENERIC PACKAGE VIEW

**RGC 64**

**VQFN - 1 mm max height**

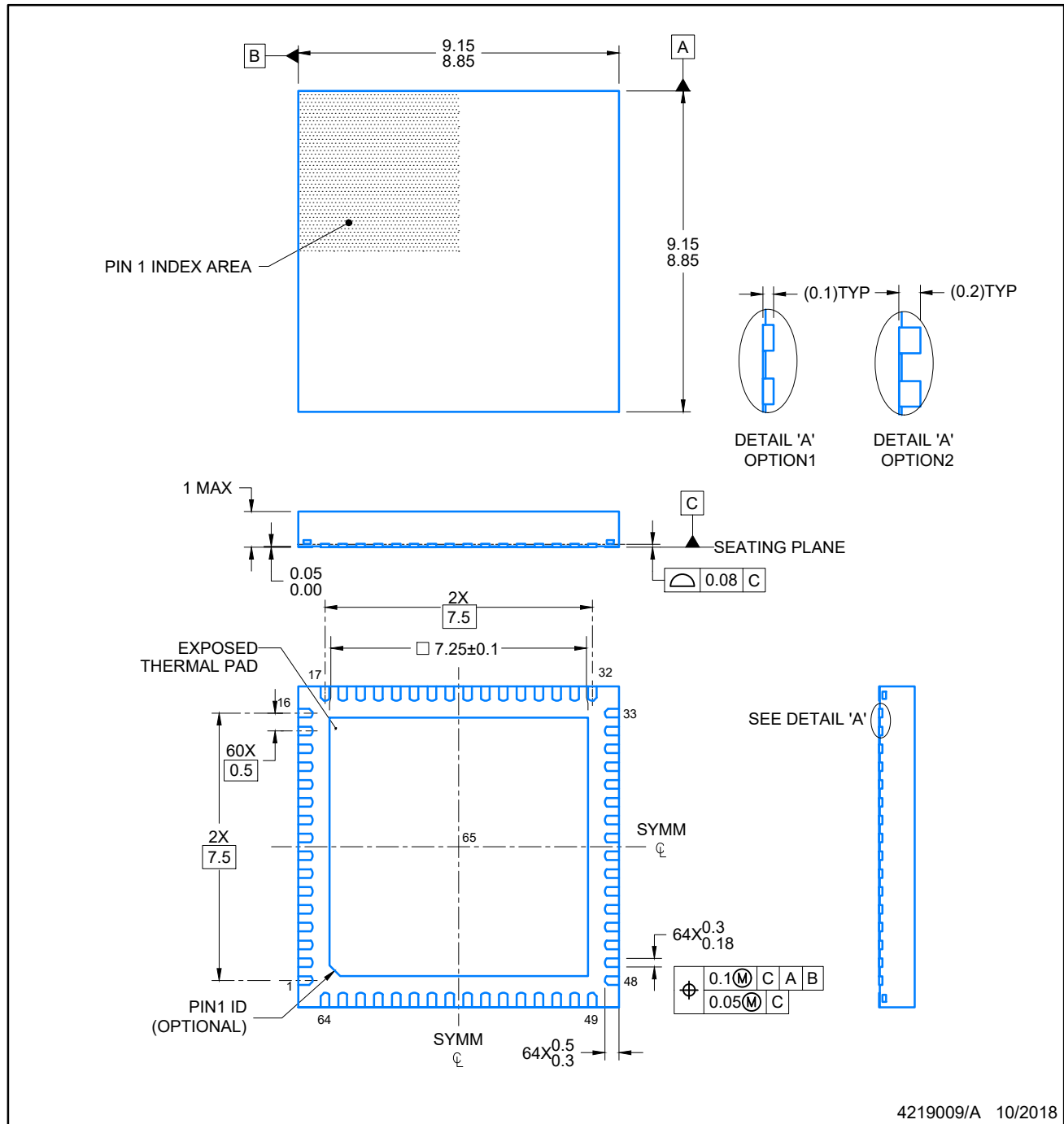
9 x 9, 0.5 mm pitch

PLASTIC QUAD FLATPACK - NO LEAD



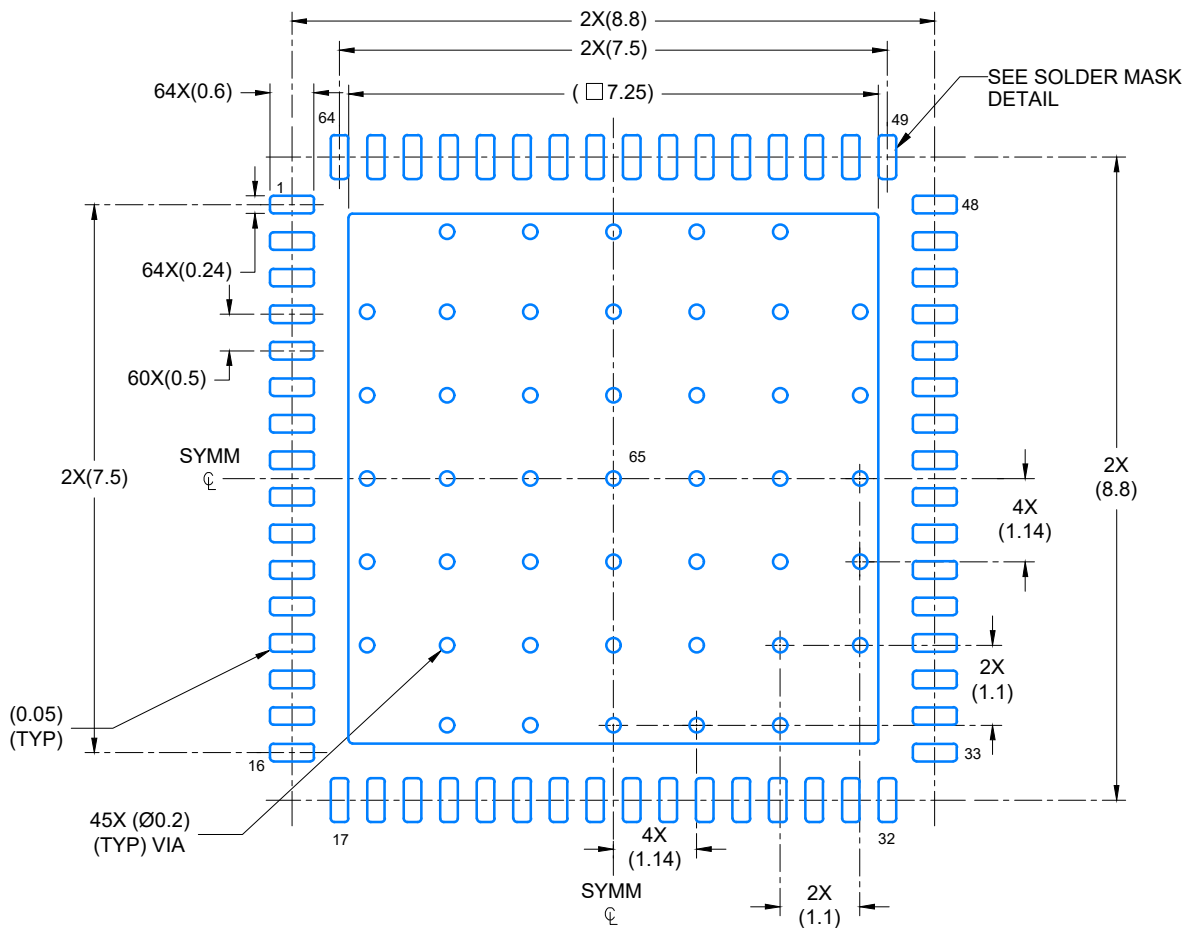
Images above are just a representation of the package family, actual package may vary.  
Refer to the product data sheet for package details.

4224597/A

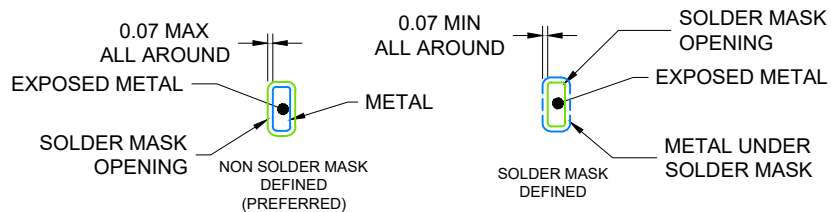


NOTES:

1. All linear dimensions are in millimeters. Any dimensions in parenthesis are for reference only. Dimensioning and tolerancing per ASME Y14.5M.
2. This drawing is subject to change without notice.
3. The package thermal pad must be soldered to the printed circuit board for optimal thermal and mechanical performance.



LAND PATTERN EXAMPLE  
SCALE: 10X

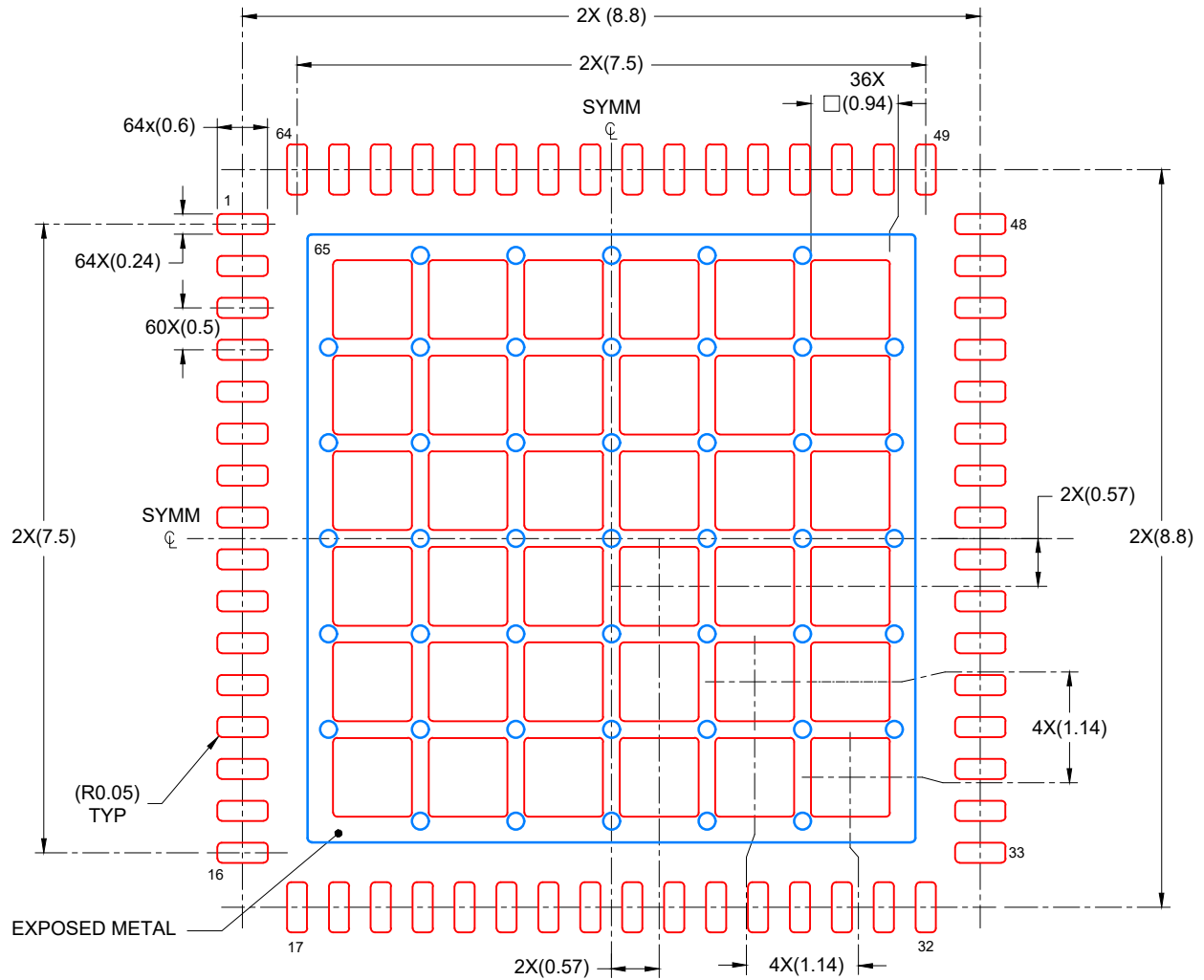


SOLDER MASK DETAILS

4219009/A 10/2018

NOTES: (continued)

4. This package is designed to be soldered to a thermal pad on the board. For more information, see Texas Instruments literature number SLUA271 ([www.ti.com/lit/sluea271](http://www.ti.com/lit/sluea271)).
5. Vias are optional depending on application, refer to device data sheet. If any vias are implemented, refer to their locations shown on this view. It is recommended that vias under paste be filled, plugged or tented.



SOLDER PASTE EXAMPLE  
 BASED ON 0.125 mm THICK STENCIL

EXPOSED PAD  
 60% PRINTED COVERAGE BY AREA  
 SCALE: 12X

4219009/A 10/2018

NOTES: (continued)

6. Laser cutting apertures with trapezoidal walls and rounded corners may offer better paste release. IPC-7525 may have alternate design recommendations.

## 重要通知和免责声明

TI“按原样”提供技术和可靠性数据（包括数据表）、设计资源（包括参考设计）、应用或其他设计建议、网络工具、安全信息和其他资源，不保证没有瑕疵且不做任何明示或暗示的担保，包括但不限于对适销性、与某特定用途的适用性或不侵犯任何第三方知识产权的暗示担保。

这些资源可供使用 TI 产品进行设计的熟练开发人员使用。您将自行承担以下全部责任：(1) 针对您的应用选择合适的 TI 产品，(2) 设计、验证并测试您的应用，(3) 确保您的应用满足相应标准以及任何其他安全、安保法规或其他要求。

这些资源如有变更，恕不另行通知。TI 授权您仅可将这些资源用于研发本资源所述的 TI 产品的相关应用。严禁以其他方式对这些资源进行复制或展示。您无权使用任何其他 TI 知识产权或任何第三方知识产权。对于因您对这些资源的使用而对 TI 及其代表造成的任何索赔、损害、成本、损失和债务，您将全额赔偿，TI 对此概不负责。

TI 提供的产品受 [TI 销售条款](#)、[TI 通用质量指南](#) 或 [ti.com](#) 上其他适用条款或 TI 产品随附的其他适用条款的约束。TI 提供这些资源并不会扩展或以其他方式更改 TI 针对 TI 产品发布的适用的担保或担保免责声明。除非德州仪器 (TI) 明确将某产品指定为定制产品或客户特定产品，否则其产品均为按确定价格收入目录的标准通用器件。

TI 反对并拒绝您可能提出的任何其他或不同的条款。

版权所有 © 2025，德州仪器 (TI) 公司

最后更新日期：2025 年 10 月