

## ADS8353-Q1 汽车类 16 位双通道 同步采样 600kSPS 模数转换器

### 1 特性

- 符合面向汽车应用的 AEC-Q100 标准：
  - 温度等级 1：-40°C 至 +125°C，T<sub>A</sub>
  - 器件 HBM ESD 分类等级 2
  - 器件 CDM ESD 分类等级 C4B
- 功能安全型
  - 可提供用于功能安全系统设计的文档
- 16 位分辨率
- 两个通道同步采样
- 支持单端和伪差分输入
- 两个软件可选的单极输入范围：
  - (0V 至 V<sub>REF</sub>) 或 (0V 至 2x V<sub>REF</sub>)
- 高达 600kSPS 的采样速度
- 出色的直流性能：
  - ±0.6LSB DNL
  - ±1LSB INL
  - ±0.05% 增益误差
- 出色的交流性能：
  - 89dB SNR
  - 100dB THD
- 双路、低漂移 (10ppm/°C)、可编程 2.5V 内部基准电压

### 2 应用

- 电池管理系统 (BMS)
- 直流/直流转换器
- 能量存储电源转换系统 (PCS)
- 太阳能电弧保护

### 3 说明

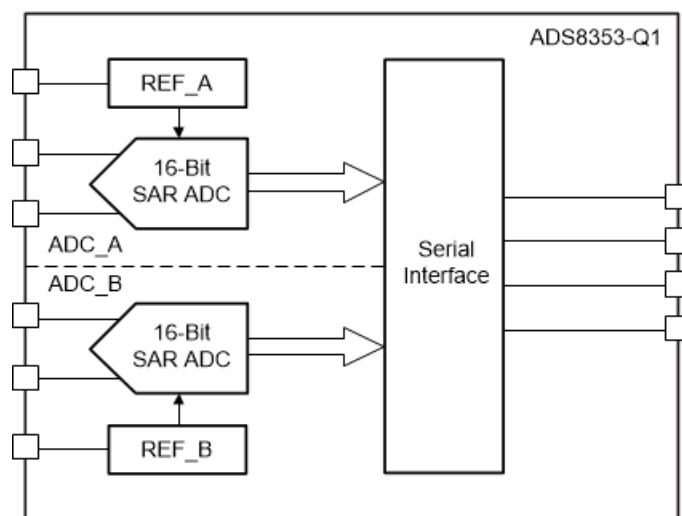
ADS8353-Q1 是一款 16 位双通道高速同步采样模数转换器 (ADC)，可支持单端和伪差分模拟输入。

ADS8353-Q1 包含两个可用于系统级增益校准的独立可编程基准源。并且配有一个可在宽电源供电范围内运行的灵活串行接口，从而轻松实现与多种主机控制器的通信。该系列器件支持两种低功耗模式，可针对给定输出优化功耗。ADS8353-Q1 的额定工作温度范围为 -40°C 至 +125°C，采用 16 引脚 TSSOP 封装。

#### 封装信息<sup>(1)</sup>

器件型号	封装	封装尺寸 (标称值)
ADS8353-Q1	TSSOP (16)	5.00mm × 4.40mm

(1) 如需了解所有可用封装，请参阅数据表末尾的可订购产品附录。



典型应用图



## Table of Contents

<b>1 特性</b> .....	1	7.3 Feature Description.....	14
<b>2 应用</b> .....	1	7.4 Device Functional Modes.....	21
<b>3 说明</b> .....	1	7.5 Programming.....	21
<b>4 Revision History</b> .....	2	7.6 Register Maps.....	29
<b>5 Pin Configuration and Functions</b> .....	3	<b>8 Application and Implementation</b> .....	33
<b>6 Specifications</b> .....	4	8.1 Application Information.....	33
6.1 Absolute Maximum Ratings.....	4	8.2 Typical Application.....	35
6.2 ESD Ratings.....	4	8.3 Power Supply Recommendations.....	36
6.3 Thermal Information.....	4	8.4 Layout.....	37
6.4 Recommended Operating Conditions.....	5	<b>9 Device and Documentation Support</b> .....	39
6.5 Electrical Characteristics.....	6	9.1 Device Support.....	39
6.6 Timing Requirements.....	8	9.2 Documentation Support.....	39
6.7 Switching Characteristics.....	8	9.3 接收文档更新通知.....	39
6.8 Timing Diagram.....	9	9.4 支持资源.....	39
6.9 Typical Characteristics.....	10	9.5 Trademarks.....	39
<b>7 Detailed Description</b> .....	13	9.6 Electrostatic Discharge Caution.....	39
7.1 Overview.....	13	9.7 术语表.....	39
7.2 Functional Block Diagram.....	13		

## 4 Revision History

注：以前版本的页码可能与当前版本的页码不同

<b>Changes from Revision A (March 2019) to Revision B (July 2022)</b>	<b>Page</b>
• 更新了整个文档中的表格、图和交叉参考的编号格式 .....	1
• 更改了特定于汽车的特性要点.....	1
• 向特性部分添加了功能安全型要点.....	1
• 更改了出色的直流性能子要点：将 $\pm 1\text{LSB}$ (DNL 典型值) 更改为 $\pm 0.6\text{LSB}$ (DNL)，并将 $\pm 1\text{LSB}$ (INL 典型值) 更改为 $\pm 1\text{LSB}$ (INL) .....	1
• 更改了应用部分.....	1

<b>Changes from Revision * (January 2019) to Revision A (March 2019)</b>	<b>Page</b>
• 将器件状态从“预告信息”更改为“量产数据” .....	1

## 5 Pin Configuration and Functions

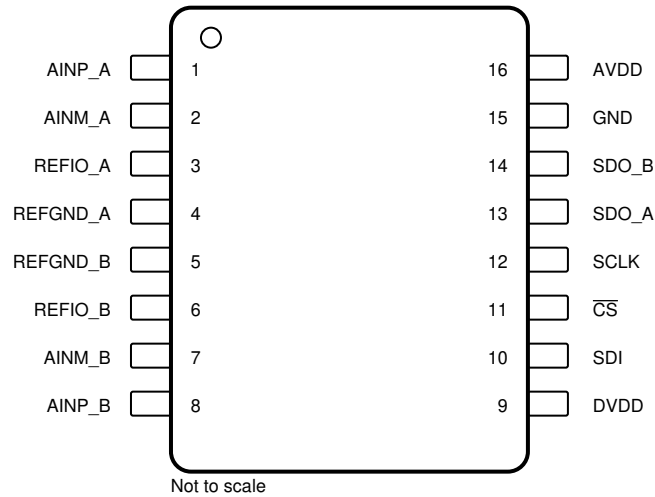


图 5-1. PW Package, 16-Pin TSSOP (Top View)

表 5-1. Pin Functions

PIN		TYPE	DESCRIPTION
NAME	TSSOP		
AINM_A	2	Analog input	Negative analog input, channel A
AINM_B	7	Analog input	Negative analog input, channel B
AINP_A	1	Analog input	Positive analog input, channel A
AINP_B	8	Analog input	Positive analog input, channel B
AVDD	16	Supply	Supply voltage for ADC operation
$\overline{\text{CS}}$	11	Digital input	Chip-select signal; active low
DVDD	9	Digital I/O supply	Digital I/O supply
GND	15	Supply	Digital ground
REFGND_A	4	Supply	Reference ground potential A
REFGND_B	5	Supply	Reference ground potential B
REFIO_A	3	Analog input/output	Reference voltage input/output, channel A
REFIO_B	6	Analog input/output	Reference voltage input/output, channel B
SCLK	12	Digital input	Clock for serial communication
SDI	10	Digital input	Data input for serial communication
SDO_A	13	Digital output	Data output for serial communication, channel A and channel B
SDO_B	14	Digital output	Data output for serial communication, channel B

## 6 Specifications

### 6.1 Absolute Maximum Ratings

over operating ambient temperature range (unless otherwise noted)<sup>(1)</sup>

	MIN	MAX	UNIT
AVDD to REFGND_x <sup>(2)</sup> or GND	- 0.3	6	V
DVDD to GND	- 0.3	6	V
Analog (AINP_x and AINM_x) <sup>(3)</sup> and reference input (REFIO_x) voltage with respect to REFGND_x	REFGND_x - 0.3	AVDD + 0.3	V
Digital input voltage with respect to GND	DVDD + 0.3	DVDD + 0.3	V
REFGND_x	GND - 0.3	GND + 0.3	V
Input current to any pin except supply pins	-10	10	mA
Junction temperature, T <sub>J</sub>	- 40	125	°C
Storage temperature, T <sub>stg</sub>	- 65	150	°C

- (1) Stresses beyond those listed under *Absolute Maximum Rating* may cause permanent damage to the device. These are stress ratings only, which do not imply functional operation of the device at these or any other conditions beyond those indicated under *Recommended Operating Condition*. Exposure to absolute-maximum-rated conditions for extended periods may affect device reliability.
- (2) REFGND\_x refers to REFGND\_A and REFGND\_B. REFIO\_x refers to REFIO\_A and REFIO\_B.
- (3) AINP\_x refers AINP\_A and AINP\_B. AINM\_x refers to AINM\_A and AINM\_B.

### 6.2 ESD Ratings

			VALUE	UNIT	
V <sub>(ESD)</sub>	Electrostatic discharge	Human-body model (HBM), per AEC Q100-002 <sup>(1)</sup>	±2000	V	
		Charged-device model (CDM), per AEC Q100-001, level C4B	Corner pins (1,8,9 and 16)		±750
			All other pins		±500

- (1) AEC Q100-002 indicates that HBM stressing shall be in accordance with the ANSI/ESDA/JEDEC JS-001 specification.

### 6.3 Thermal Information

THERMAL METRIC <sup>(1)</sup>		ADS8353-Q1	UNIT
		PW (TSSOP)	
		16 PINS	
R <sub>θJA</sub>	Junction-to-ambient thermal resistance	99	°C/W
R <sub>θJC(top)</sub>	Junction-to-case (top) thermal resistance	29.6	°C/W
R <sub>θJB</sub>	Junction-to-board thermal resistance	45	°C/W
Ψ <sub>JT</sub>	Junction-to-top characterization parameter	1.4	°C/W
Y <sub>JB</sub>	Junction-to-board characterization parameter	44.5	°C/W
R <sub>θJC(bot)</sub>	Junction-to-case (bottom) thermal resistance	N/A	°C/W

- (1) For more information about traditional and new thermal metrics, see the [Semiconductor and IC Package Thermal Metrics](#) application report.

## 6.4 Recommended Operating Conditions

over operating free-air temperature range (unless otherwise noted)

PARAMETER		TEST CONDITIONS	MIN	TYP	MAX	UNIT
<b>POWER SUPPLY</b>						
AVDD	Analog supply voltage (AVDD to AGND)	V <sub>REF</sub> range, internal reference	4.5	5	5.5	V
		V <sub>REF</sub> range, external reference V <sub>EXT_REF</sub> < 4.5 V	4.5	5	5.5	
		V <sub>REF</sub> range, external reference V <sub>EXT_REF</sub> > 4.5 V	V <sub>EXT_REF</sub>	5	5.5	
		2x V <sub>REF</sub> range, internal reference	5	5	5.5	
		2x V <sub>REF</sub> range, external reference	2 x V <sub>EXT_REF</sub>	5	5.5	
DVDD	Digital supply voltage		1.65	3.3	5.5	V
<b>ANALOG INPUTS (Single-Ended Configuration)</b>						
FSR	Full-scale input range (AINP_x to AINM_x) <sup>(1)</sup>	V <sub>REF</sub> range, single-ended input, AINM_x = GND	0		V <sub>REF</sub>	V
		2x V <sub>REF</sub> range, single-ended input, AINM_x = GND	0		2 x V <sub>REF</sub>	
V <sub>INP</sub>	Absolute input voltage (AINP_x to REFGND_x) <sup>(2)</sup>	V <sub>REF</sub> range	0		V <sub>REF</sub>	V
		2x V <sub>REF</sub> range, AVDD ≥ 2x V <sub>REF</sub>	0		2 x V <sub>REF</sub>	
V <sub>INM</sub>	Absolute input voltage (AINM_x to REFGND_x)	V <sub>REF</sub> range, single-ended input	- 0.1		0.1	V
		2x V <sub>REF</sub> range, single-ended input, AVDD ≥ 2 x V <sub>REF</sub>	- 0.1		0.1	
<b>ANALOG INPUTS (Pseudo-Differential Configuration)</b>						
FSR	Full-scale input range (AINP_x-AINM_x)	V <sub>REF</sub> range, pseudo-differential input, AINM_x = V <sub>REF</sub> /2	- V <sub>REF</sub> / 2		V <sub>REF</sub> / 2	V
		2x V <sub>REF</sub> range, pseudo-differential input, AINM_x = V <sub>REF</sub> , AVDD ≥ 2x V <sub>REF</sub>	- V <sub>REF</sub>		V <sub>REF</sub>	
V <sub>INP</sub>	Absolute input voltage (AINP_x to REFGND_x)	V <sub>REF</sub> range	0		V <sub>REF</sub>	V
		2x V <sub>REF</sub> range, AVDD ≥ 2x V <sub>REF</sub>	0		2 x V <sub>REF</sub>	
V <sub>INM</sub>	Absolute input voltage (AINM_x -REFGND_x)	V <sub>REF</sub> range, pseudo-differential input	V <sub>REF</sub> / 2 - 0.1		V <sub>REF</sub> / 2 + 0.1	V
		2x V <sub>REF</sub> range, single-ended input, AVDD ≥ 2x V <sub>REF</sub>	V <sub>REF</sub> - 0.1		V <sub>REF</sub> + 0.1	
<b>EXTERNAL REFERENCE INPUT</b>						
V <sub>REFIO</sub>	REFIO_x <sup>(3)</sup> input voltage	V <sub>REF</sub> range	2.4	2.5	AVDD	V
		2x V <sub>REF</sub> range	2.4	2.5	AVDD / 2	
<b>TEMPERATURE RANGE</b>						
T <sub>A</sub>	Ambient temperature		- 40	25	125	°C

(1) AINP\_x refers to analog input pins AINP\_A and AINP\_B. AINM\_x refers to analog input pins AINM\_A and AINM\_B.

(2) REFGND\_x refers to reference ground pins REFGND\_A and REFGND\_B.

(3) REFIO\_x refers to voltage reference inputs REFIO\_A and REFIO\_B.

## 6.5 Electrical Characteristics

at AVDD = 5 V, DVDD = 3.3 V,  $V_{REF\_A} = V_{REF\_B} = V_{REF} = 2.5$  V (internal), and  $f_{DATA} = 600$  kSPS (unless otherwise noted); minimum and maximum values at  $T_A = -40^{\circ}\text{C}$  to  $125^{\circ}\text{C}$ ; typical values are at  $T_A = 25^{\circ}\text{C}$

PARAMETER		TEST CONDITIONS	MIN	TYP	MAX	UNIT
<b>ANALOG INPUTS</b>						
$C_i$	Input capacitance	In sample mode		40		pF
		In hold mode		4		
$I_{lkg}$	Input leakage current			0.1		$\mu\text{A}$
<b>RESOLUTION</b>						
	Resolution		16			Bits
<b>DC ACCURACY</b>						
NMC	No missing codes			16		Bits
INL	Integral nonlinearity		- 4	$\pm 1$	4	LSB
DNL	Differential nonlinearity			$\pm 0.6$		LSB
$E_{IO}$	Input offset error		- 1	$\pm 0.5$	1	mV
	$E_{IO}$ match	ADC_A to ADC_B	- 1	$\pm 0.5$	1	mV
$dE_{IO}/dT$	Input offset thermal drift			1		$\mu\text{V}/^{\circ}\text{C}$
$E_G$	Gain error	Referenced to the voltage at REFIO_x	- 0.1	$\pm 0.05$	0.1	%FS
	$E_G$ match	ADC_A to ADC_B	- 0.1	$\pm 0.05$	0.1	%FS
$dE_G/dT$	Gain error thermal drift	Referenced to the voltage at REFIO_x		1		ppm/ $^{\circ}\text{C}$
<b>AC ACCURACY</b>						
SINAD	Signal-to-noise + distortion	$V_{REF} = 2.5$ V, $V_{REF}$ input range	80.2	83		dB
		$V_{REF} = 2.5$ V, $2x V_{REF}$ input range		83.9		
		$V_{REF} = 5$ V, $V_{REF}$ input range		88.7		
SNR	Signal-to-noise ratio	$V_{REF} = 2.5$ V, $V_{REF}$ input range	80.5	83		dB
		$V_{REF} = 2.5$ V, $2x V_{REF}$ input range		84		
		$V_{REF} = 5$ V, $V_{REF}$ input range		89		
THD	Total harmonic distortion	$V_{REF} = 2.5$ V, $V_{REF}$ input range		- 100		dB
		$V_{REF} = 2.5$ V, $2x V_{REF}$ input range		- 100		
		$V_{REF} = 5$ V, $V_{REF}$ input range		- 100		
SFDR	Spurious-free dynamic range	$V_{REF} = 2.5$ V, $V_{REF}$ input range		105		dB
		$V_{REF} = 2.5$ V, $2x V_{REF}$ input range		105		
		$V_{REF} = 5$ V, $V_{REF}$ input range		105		
<b>INTERNAL VOLTAGE REFERENCE</b>						
$V_{REFOUT}$	Reference output voltage	REFDAC_x = 1FFh (default) at $25^{\circ}\text{C}$	2.495	2.5	2.505	V
$V_{REF-match}$	VREF_A to VREF_B matching	REFDAC_x = 1FFh (default) at $25^{\circ}\text{C}$		$\pm 1$		mV
REFDAC_x resolution <sup>(1)</sup>				1.1		mV
$dV_{REFOUT}/dT$	Reference voltage temperature drift	REFDAC_x = 1FFh (default) at $25^{\circ}\text{C}$		$\pm 10$		ppm/ $^{\circ}\text{C}$
$dV_{REFOUT}/dt$	Long-term stability	1000 hours		150		ppm
$R_O$	Internal reference output impedance			1		$\Omega$
$I_{REFOUT}$	Reference output dc current			2		mA
$C_{REFOUT}$	Reference output capacitor			10		$\mu\text{F}$
$t_{REFON}$	Reference output settling time			8		ms
<b>VOLTAGE REFERENCE INPUT</b>						
$I_{REF}$	Average reference input current	Per ADC		300		$\mu\text{A}$

## 6.5 Electrical Characteristics (continued)

at AVDD = 5 V, DVDD = 3.3 V, V<sub>REF\_A</sub> = V<sub>REF\_B</sub> = V<sub>REF</sub> = 2.5 V (internal), and f<sub>DATA</sub> = 600 kSPS (unless otherwise noted); minimum and maximum values at T<sub>A</sub> = -40°C to 125°C; typical values are at T<sub>A</sub> = 25°C

PARAMETER		TEST CONDITIONS	MIN	TYP	MAX	UNIT
C <sub>REF</sub>	External ceramic reference capacitor			10		μF
I <sub>lkg(dc)</sub>	DC leakage current			±0.1		μA
<b>SAMPLING DYNAMICS</b>						
t <sub>A</sub>	Aperture delay			8		ns
	t <sub>A</sub> match	ADC_A to ADC_B		40		ps
t <sub>AJIT</sub>	Aperture jitter			50		ps
<b>DIGITAL INPUTS</b>						
V <sub>IH</sub>	High-level input voltage	DVDD > 2.3 V	0.7 DVDD		DVDD + 0.3	V
		DVDD ≤ 2.3 V	0.8 DVDD		DVDD + 0.3	
V <sub>IL</sub>	Low-level input voltage	DVDD > 2.3 V	- 0.3		0.3 DVDD	V
		DVDD ≤ 2.3 V	- 0.3		0.2 DVDD	
	Input current			±10		nA
<b>DIGITAL OUTPUTS</b>						
V <sub>OH</sub>	High-level output voltage	I <sub>OH</sub> = 500-μA source	0.8 DVDD		DVDD	V
V <sub>OL</sub>	Low-level output voltage	I <sub>OL</sub> = 500-μA sink	0		0.2 DVDD	V
<b>POWER SUPPLY</b>						
AIDD	Analog supply current	AVDD = 5 V, fastest throughput internal reference		8.5	10	mA
		AVDD = 5 V, fastest throughput external reference <sup>(2)</sup>		7.5	3.6	
		AVDD = 5V, no conversion internal reference		5.5	7	
		AVDD = 5 V, no conversion external reference <sup>(2)</sup>		4.5		
		AVDD = 5 V, STANDBY mode internal reference		2.5		
		AVDD = 5 V, STANDBY mode external reference <sup>(2)</sup>		1		
		Power-down mode		10	50	μA
DIDD	Digital supply current	DVDD = 3.3 V, C <sub>load</sub> = 10 pF, fastest throughput		0.5		mA
		DVDD = 5 V, C <sub>load</sub> = 10 pF, fastest throughput		1		
P <sub>D</sub>	Power dissipation (normal operation)	AVDD = 5 V, fastest throughput, internal reference		42.5	50	mW

(1) Refer to the Reference section for more details.

(2) With internal reference powered down, CFR.B6 = 0.

## 6.6 Timing Requirements

at AVDD = 5 V, DVDD = 1.65 V to 5.5 V, and maximum throughput (unless otherwise noted); minimum and maximum values at T<sub>A</sub> = - 40°C to +125°C; typical values at T<sub>A</sub> = 25°C.

		MIN	NOM	MAX	UNIT
t <sub>PH_CK</sub>	CLOCK high time	0.4		0.6	t <sub>CLK</sub>
t <sub>PL_CK</sub>	CLOCK low time	0.4		0.6	t <sub>CLK</sub>
f <sub>CLK</sub>	CLOCK frequency			20	MHz
t <sub>ACQ</sub>	Acquisition time	32-clock, dual SDO mode		33 x t <sub>CLK</sub> - t <sub>CONV</sub>	ns
		32-clock, single SDO mode		49 x t <sub>CLK</sub> - t <sub>CONV</sub>	
t <sub>CONV</sub>	Conversion time			730	ns
t <sub>PH_CS</sub>	$\overline{CS}$ high time	40			ns
t <sub>PH_CS_SHRT</sub>	$\overline{CS}$ high time after frame abort	150			ns
t <sub>SU_CSCK</sub>	Setup time: $\overline{CS}$ falling edge to SCLK falling edge	15			ns
t <sub>D_CKCS</sub>	Delay time: Last SCLK falling edge to $\overline{CS}$ rising edge	15			ns
t <sub>SU_CKDI</sub>	Setup time: DIN data valid to SCLK falling edge	5			ns
t <sub>HT_CKDI</sub>	Hold time: SCLK falling edge to (previous) data valid on DIN	5			ns
t <sub>PU_STDBY</sub>	Power-up time from STANDBY mode	1			μs
t <sub>PU_SPD</sub>	Power-up time from SPD mode	With internal reference		3	ms
		With external reference		1	

## 6.7 Switching Characteristics

at AVDD = 5 V, DVDD = 1.65 V to 5.5 V, and maximum throughput (unless otherwise noted); minimum and maximum values at T<sub>A</sub> = - 40°C to +125°C; typical values at T<sub>A</sub> = 25°C.

PARAMETER		TEST CONDITIONS	MIN	TYP	MAX	UNIT
t <sub>THROUGHPUT</sub>	Throughput time		1.666			μs
f <sub>THROUGHPUT</sub>	Throughput				600	kSPS
t <sub>DV_CSDO</sub>	Delay time: $\overline{CS}$ falling edge to data enable				12	ns
t <sub>DZ_CSDO</sub>	Delay time: $\overline{CS}$ rising edge to data going to 3-state				12	ns
t <sub>D_CKDO</sub>	Delay time: SCLK falling edge to next data valid				20	ns



## 6.8 Timing Diagram

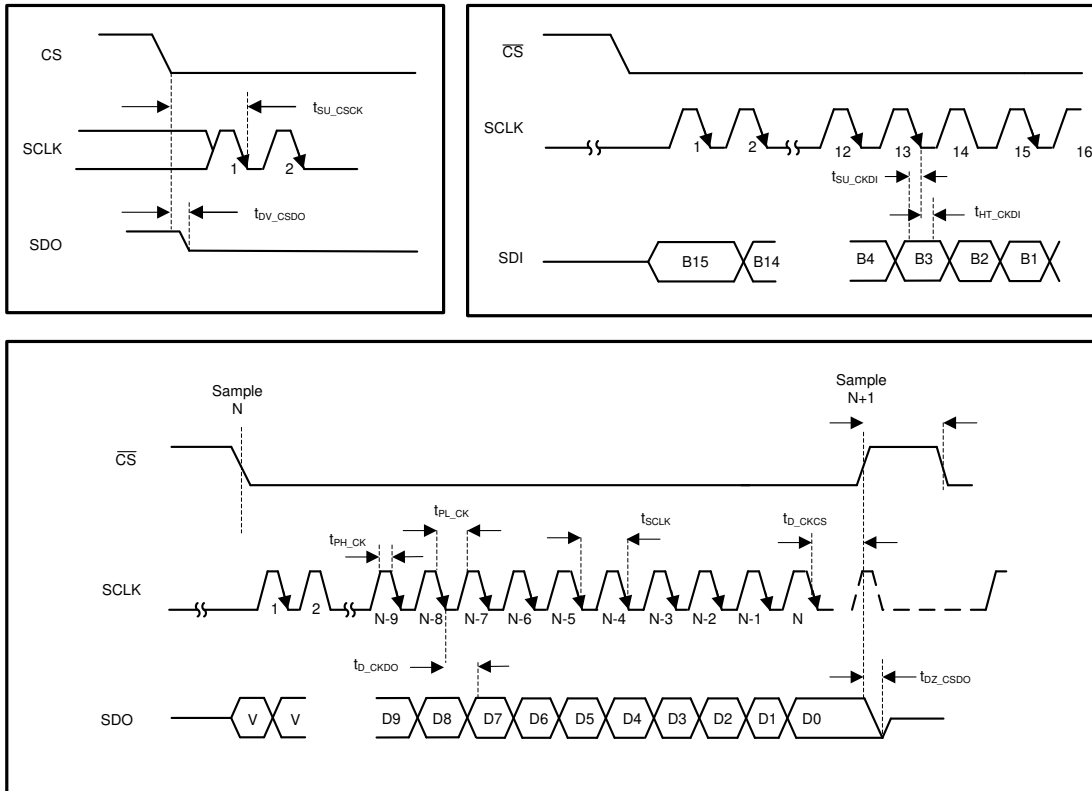


图 6-1. Serial Interface Timing Diagram

## 6.9 Typical Characteristics

at  $T_A = 25^\circ\text{C}$ ,  $AVDD = 5\text{ V}$ ,  $DVDD = 3.3\text{ V}$ ,  $V_{REF} = 2.5\text{ V}$  (internal), and  $f_{DATA} = 600\text{ kSPS}$  (unless otherwise noted)

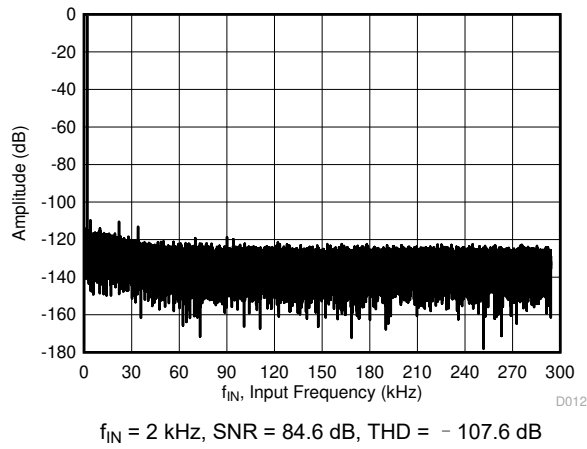


图 6-2. Typical FFT

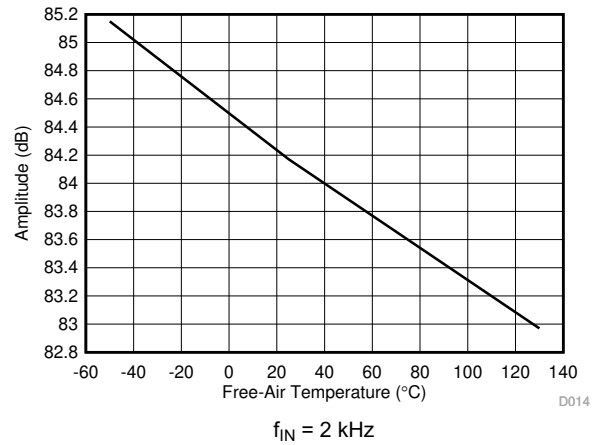


图 6-3. SNR vs Temperature

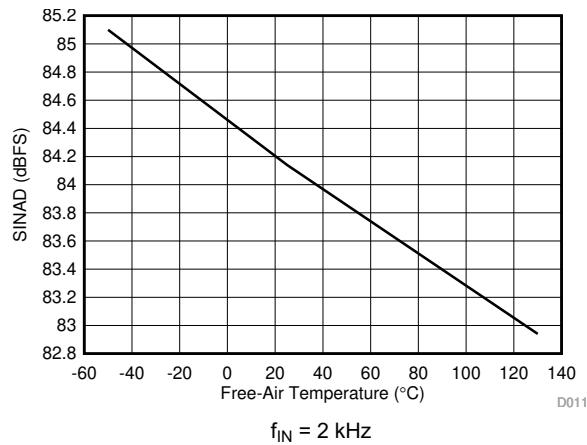


图 6-4. SINAD vs Temperature

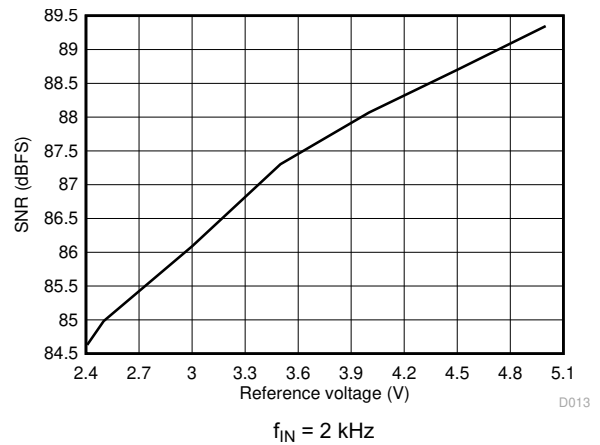


图 6-5. SNR vs Reference Voltage

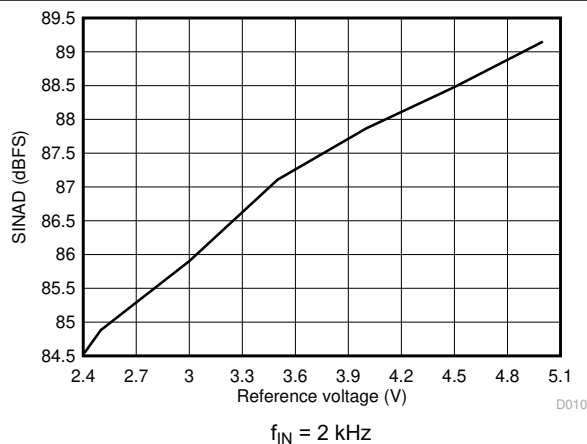


图 6-6. SINAD vs Reference Voltage

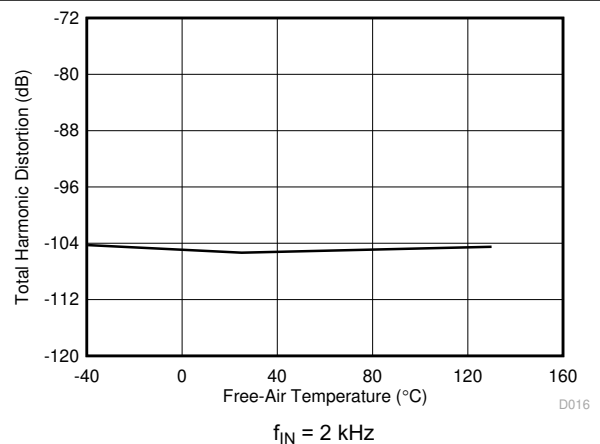


图 6-7. THD vs Temperature

### 6.9 Typical Characteristics (continued)

at  $T_A = 25^\circ\text{C}$ ,  $AVDD = 5\text{ V}$ ,  $DVDD = 3.3\text{ V}$ ,  $V_{REF} = 2.5\text{ V}$  (internal), and  $f_{DATA} = 600\text{ kSPS}$  (unless otherwise noted)

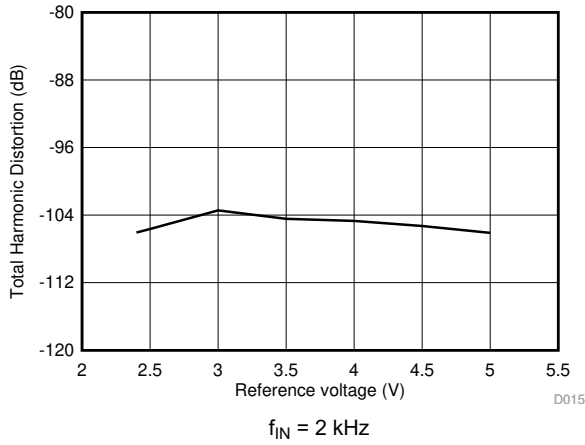


图 6-8. THD vs Reference Voltage

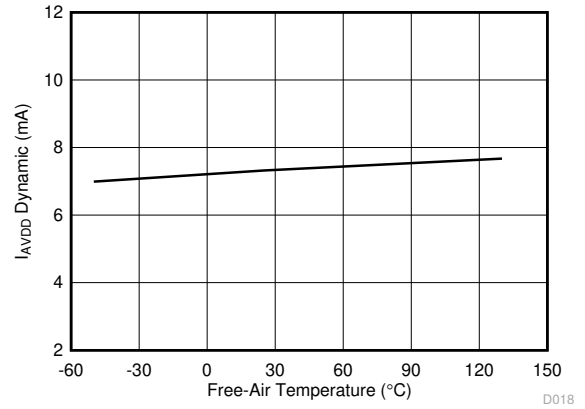


图 6-9. Analog Supply Current vs Temperature

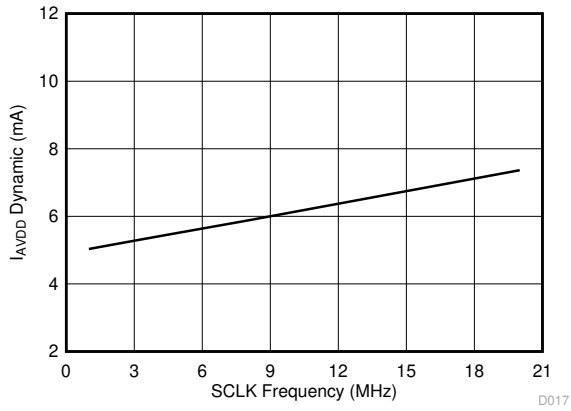


图 6-10. Analog Supply Current vs SCLK Frequency

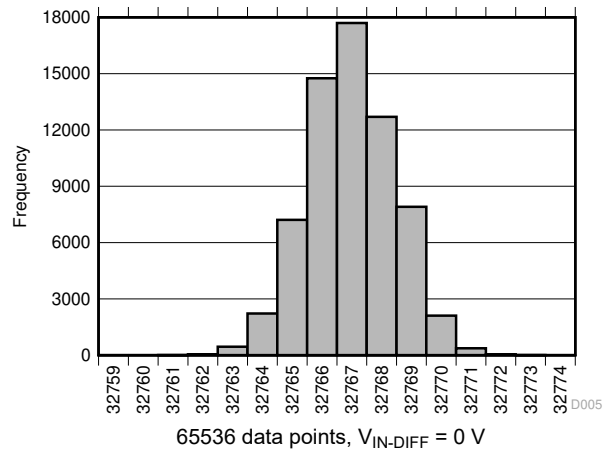


图 6-11. DC Histogram

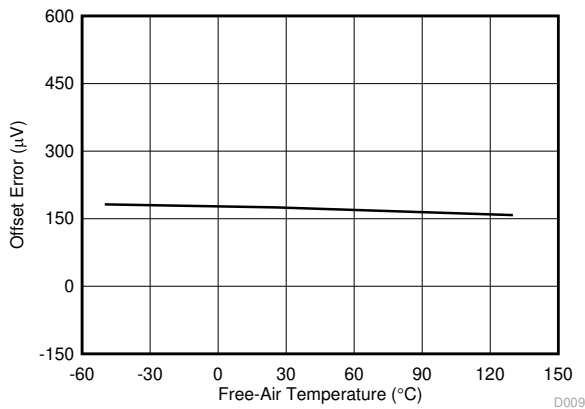


图 6-12. Offset Error vs Temperature

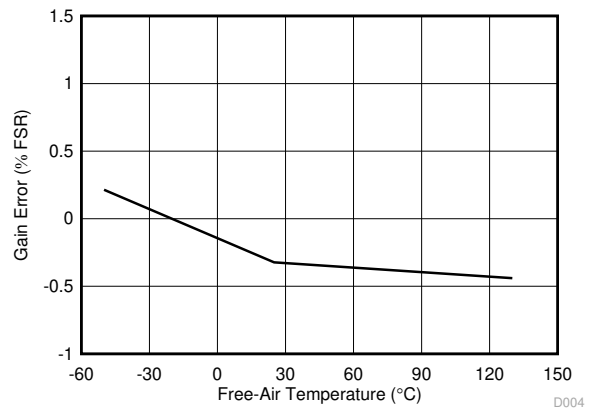


图 6-13. Gain Error vs Temperature

### 6.9 Typical Characteristics (continued)

at  $T_A = 25^\circ\text{C}$ ,  $AVDD = 5\text{ V}$ ,  $DVDD = 3.3\text{ V}$ ,  $V_{REF} = 2.5\text{ V}$  (internal), and  $f_{DATA} = 600\text{ kSPS}$  (unless otherwise noted)

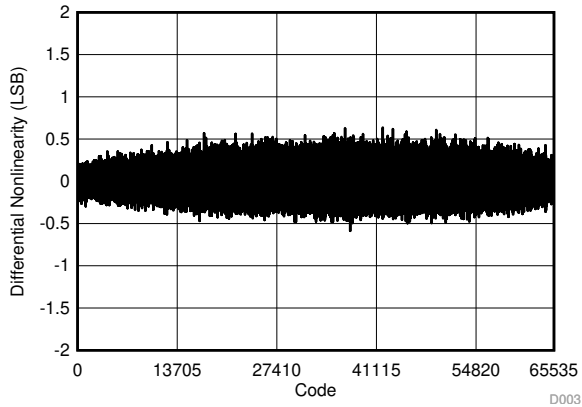


图 6-14. Typical DNL

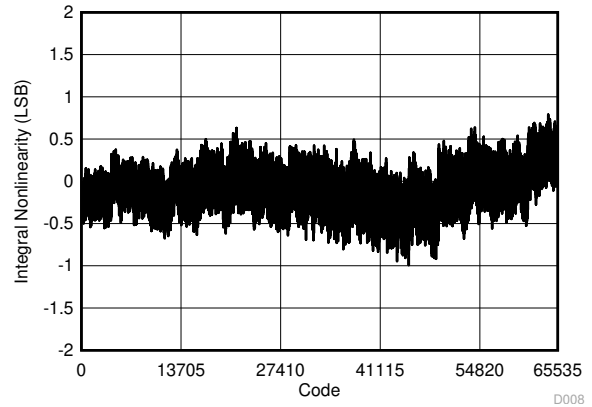


图 6-15. Typical INL

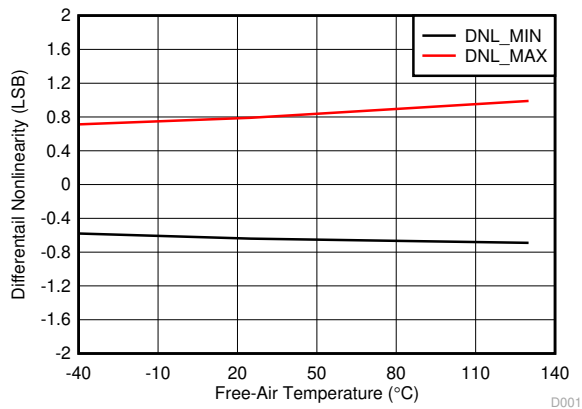


图 6-16. DNL vs Temperature

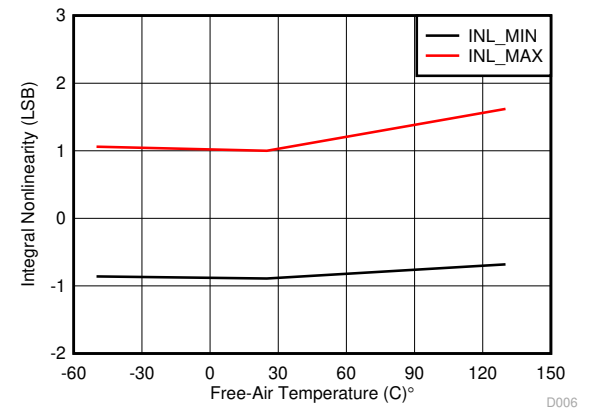


图 6-17. INL vs Temperature

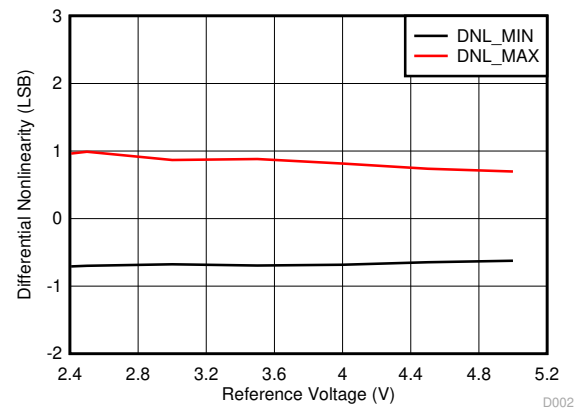


图 6-18. DNL vs Reference Voltage

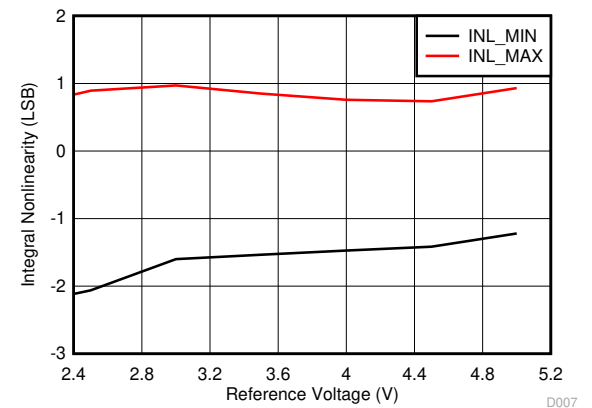


图 6-19. INL vs Reference Voltage

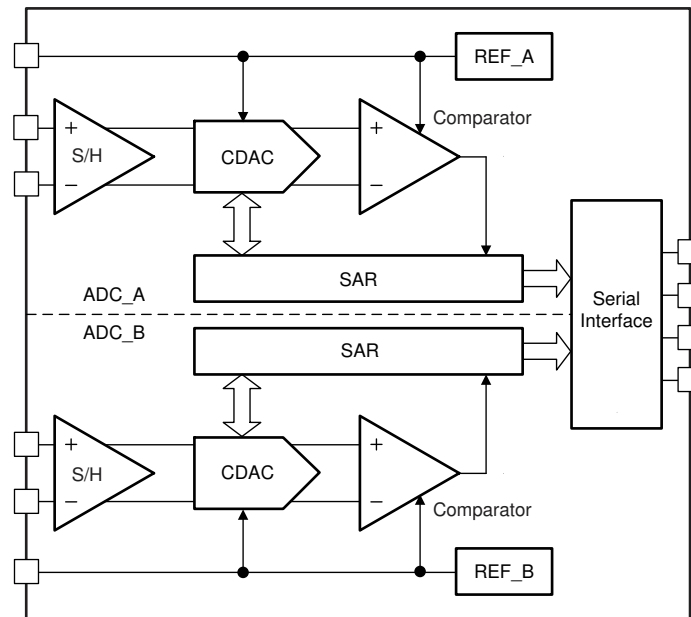
## 7 Detailed Description

### 7.1 Overview

The ADS8353-Q1 is a 16-bit, dual-channel, high-speed, simultaneous-sampling, analog-to-digital converter (ADC). The ADS8353-Q1 supports single-ended and pseudo-differential input signals. The device provides a simple, serial interface to the host controller and operates over a wide range of analog and digital power supplies.

The device has two independently programmable internal references to achieve system-level gain error correction. The [Functional Block Diagram](#) section provides a functional block diagram of the device.

### 7.2 Functional Block Diagram



## 7.3 Feature Description

### 7.3.1 Reference

The device has two simultaneous sampling ADCs (ADC\_A and ADC\_B). ADC\_A and ADC\_B operate with reference voltages present on the REFIO\_A and REFIO\_B pins, respectively. Decouple the REFIO\_A and REFIO\_B pins with the REFGND\_A and REFGND\_B pins, respectively, with 10-μF decoupling capacitors.

图 7-1 shows that the device supports operation either with an internal or external reference source. The reference voltage source is determined by setting bit 6 of the configuration register (CFR.B6). This bit is common to ADC\_A and ADC\_B.

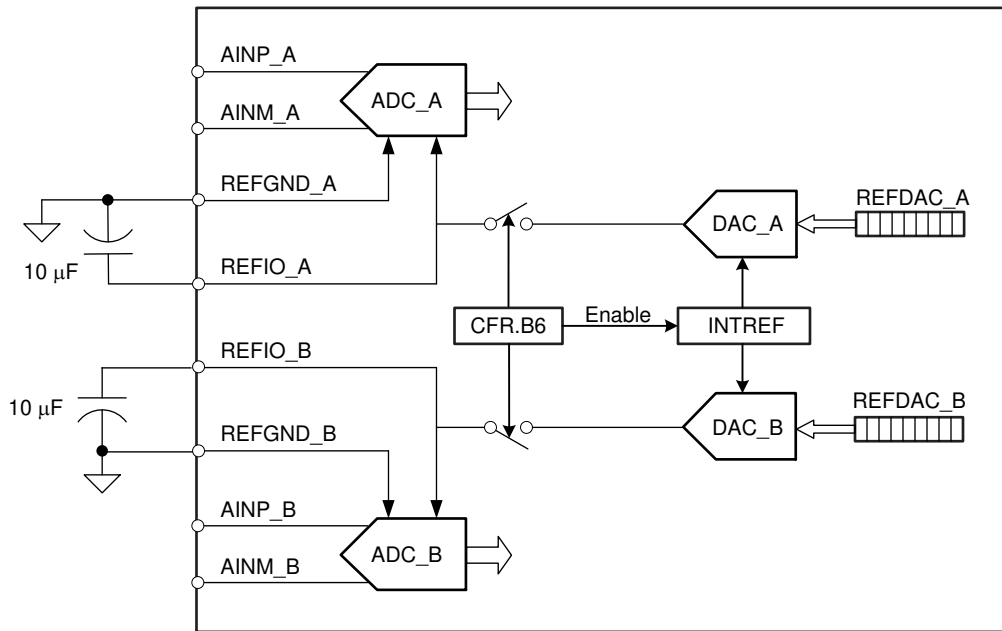


图 7-1. Reference Configurations and Connections

When CFR.B6 is 0, the device shuts down the internal reference source (INTREF) and ADC\_A and ADC\_B operate on external reference voltages provided by the user on the REFIO\_A and REFIO\_B pins, respectively.

When CFR.B6 is 1, the device operates with the internal reference source (INTREF) connected to REFIO\_A and REFIO\_B via DAC\_A and DAC\_B, respectively. In this configuration,  $V_{REF\_A}$  and  $V_{REF\_B}$  can be changed independently by writing to the respective user-programmable registers, REFDAC\_A and REFDAC\_B, respectively. See the [Register Maps](#) section for more details.



$$2 \times V_{\text{REF}_B} \leq AVDD \leq AVDD(\text{max})$$

(4)



### 7.3.2.2 Analog Input: Single-Ended and Pseudo-Differential Configurations

The ADS8353-Q1 can support single-ended or pseudo-differential input configurations.

For supporting single-ended inputs, B7 in the configuration register (CFR.B7) must be set to 0 (CFR.B7 = 0) and AINM\_A and AINM\_B must be externally connected to GND.

For supporting pseudo-differential inputs, CFR.B7 must be set to 1 (CFR.B7 = 1) and AINM\_A and AINM\_B must be externally connected to FSR\_ADC\_A / 2 and FSR\_ADC\_B / 2, respectively. CFR.B7 is common to both ADCs.

The CFR.B9 and CFR.B7 settings can be combined as shown in [表 7-1](#) to select the desired input configuration.

**表 7-1. Input Configurations**

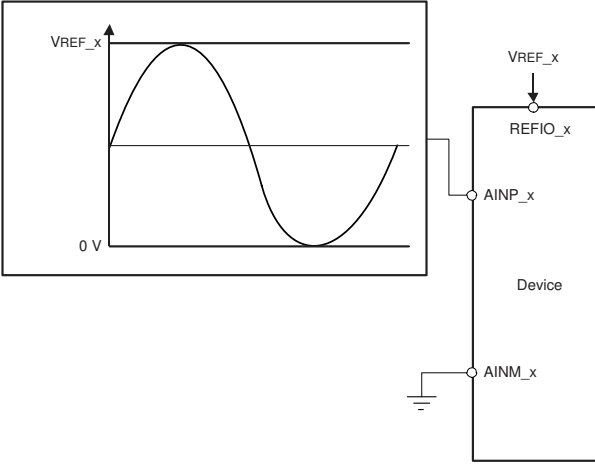
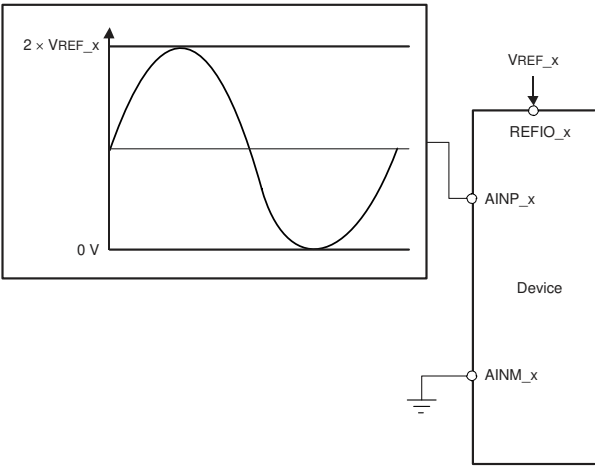
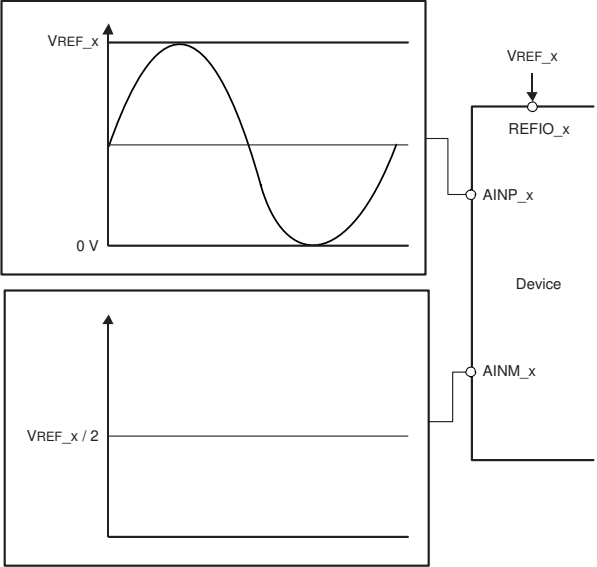
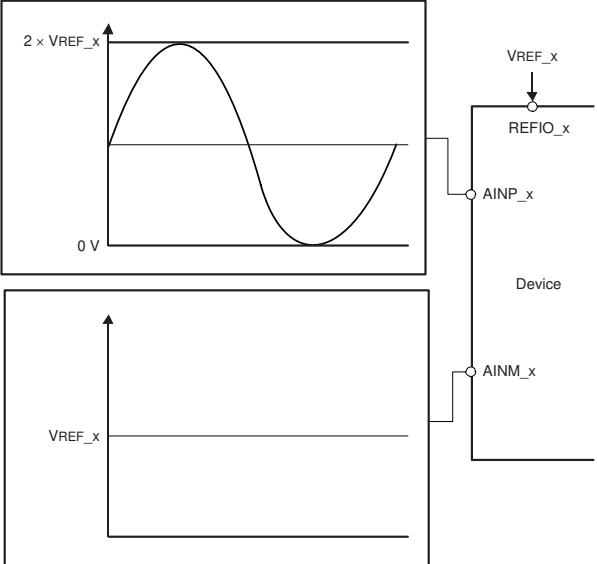
INPUT RANGE SELECTION	AINM SELECTION	CONNECTION DIAGRAM
CFR.B9 = 0 (FSR_ADC_A = 0 to $V_{REF\_A}$ ) (FSR_ADC_B = 0 to $V_{REF\_B}$ )	CFR.B7 = 0 (AINM_A = GND) (AINM_B = GND)	
CFR.B9 = 1 (FSR_ADC_A = 0 to $2 \times V_{REF\_A}$ ) (FSR_ADC_B = 0 to $2 \times V_{REF\_B}$ )	CFR.B7 = 0 (AINM_A = GND) (AINM_B = GND)	

表 7-1. Input Configurations (continued)

INPUT RANGE SELECTION	AINM SELECTION	CONNECTION DIAGRAM
<p>CFR.B9 = 0 (FSR_ADC_A = V<sub>REF_A</sub>) (FSR_ADC_B = V<sub>REF_B</sub>)</p>	<p>CFR.B7 = 1 (AINM_A = V<sub>REF_A</sub>/2) (AINM_B = V<sub>REF_B</sub>/2)</p>	
<p>CFR.B9 = 1 (FSR_ADC_A = 2 x V<sub>REF_A</sub>) (FSR_ADC_B = 2 x V<sub>REF_B</sub>)</p>	<p>CFR.B7 = 1 (AINM_A = V<sub>REF_A</sub>) (AINM_B = V<sub>REF_B</sub>)</p>	

### 7.3.3 Transfer Function

The device supports two input configurations:

1. Single-ended inputs, CFR.B7 = 0 (default), or
2. Pseudo-differential inputs, CFR.B7 = 1

The device also supports two output data formats:

1. Straight binary output, CFR.B4 = 0 (default), or
2. Two's compliment output, CFR.B4 = 1

方程式 5 calculates the device resolution:

$$1 \text{ LSB} = (\text{FSR\_ADC\_x}) / (2^N) \quad (5)$$

where:

- N = 16
- FSR\_ADC\_x = the full-scale input range of the ADC (see the [Analog Inputs](#) section for more details)

表 7-2 和 表 7-3 show the different input voltages and the corresponding output codes from the device.

表 7-2. Transfer Characteristics for Straight Binary Output (CFR.B4 = 0, Default)

INPUT CONFIGURATION	INPUT VOLTAGE			OUTPUT CODE (Hex)	
				STRAIGHT BINARY (CFR.B4 = 0, Default)	
	AINP_x	AINM_x	AINP_x - AINM_x	CODE	ADS8353-Q1
Single-ended (CFR.B7 = 0, default)	$\leq 1 \text{ LSB}$	0	$\leq 1 \text{ LSB}$	ZC	0000
	$\text{FSR\_ADC\_x} / 2$		$\text{FSR\_ADC\_x} / 2$	MC	7FFF
	$\geq \text{FSR\_ADC\_x} - 1 \text{ LSB}$		$\geq \text{FSR\_ADC\_x} - 1 \text{ LSB}$	FSC	FFFF
Pseudo-differential (CFR.B7 = 1)	$\leq 1 \text{ LSB}$	$\text{FSR\_ADC\_x} / 2$	$\leq -\text{FSR\_ADC\_x} / 2 + 1 \text{ LSB}$	ZC	0000
	$\text{FSR\_ADC\_x} / 2$		0	MC	7FFF
	$\geq \text{FSR\_ADC\_x} - 1 \text{ LSB}$		$\geq \text{FSR\_ADC\_x} / 2 - 1 \text{ LSB}$	FSC	FFFF

表 7-3. Transfer Characteristics for Two's Compliment Output (CFR.B4 = 1)

INPUT CONFIGURATION	INPUT VOLTAGE			OUTPUT CODE (Hex)	
				TWO'S COMPLIMENT (CFR.B4 = 1, Default)	
	AINP_x	AINM_x	AINP_x - AINM_x	CODE	ADS8353-Q1
Single-ended (CFR.B7 = 0, default)	$\leq 1 \text{ LSB}$	0	$\leq 1 \text{ LSB}$	NFSC	8000
	$\text{FSR\_ADC\_x} / 2$		$\text{FSR\_ADC\_x} / 2$	MC	0000
	$\geq \text{FSR\_ADC\_x} - 1 \text{ LSB}$		$\geq \text{FSR\_ADC\_x} - 1 \text{ LSB}$	PFSC	7FFF
Pseudo-differential (CFR.B7 = 1)	$\leq 1 \text{ LSB}$	$\text{FSR\_ADC\_x} / 2$	$\leq -\text{FSR\_ADC\_x} / 2 + 1 \text{ LSB}$	NFSC	8000
	$\text{FSR\_ADC\_x} / 2$		0	MC	0000
	$\geq \text{FSR\_ADC\_x} - 1 \text{ LSB}$		$\geq \text{FSR\_ADC\_x} / 2 - 1 \text{ LSB}$	PFSC	7FFF

Figure 7-3 shows the ideal device transfer characteristics for the single-ended analog input.

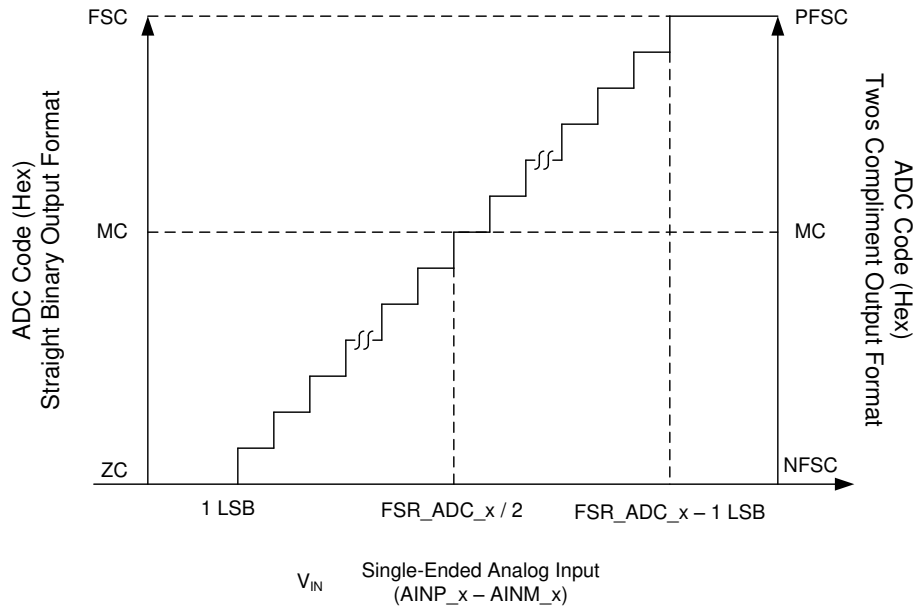


Figure 7-3. Ideal Transfer Characteristics for a Single-Ended Analog Input

Figure 7-4 shows the ideal device transfer characteristics for the pseudo-differential analog input.

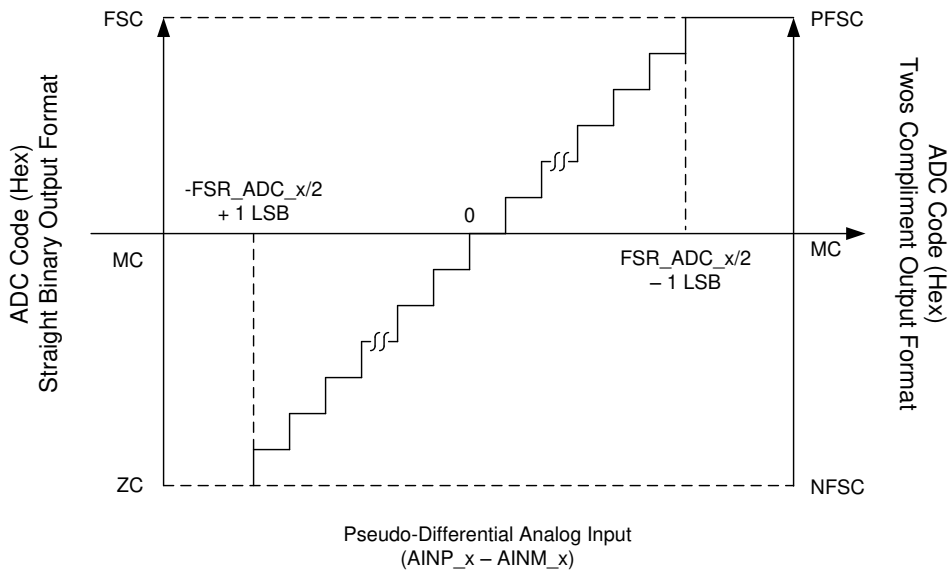


Figure 7-4. Ideal Transfer Characteristics for a Pseudo-Differential Analog Input

## 7.4 Device Functional Modes

The device provides three user-programmable registers: the configuration register (CFR), the REFDAC\_A register, and the REFDAC\_B register. These registers support write (see the [Write to User-Programmable Registers](#) section) and readback (see the [Reading User-Programmable Registers](#) section) operations and allow the ADC behavior to be customized for specific application requirements.

The device supports two interface modes (see the [Conversion Data Read](#) section), two low-power modes (see the [Low-Power Modes](#) section), and a short-cycling or reconversion feature (see the [Frame Abort, Reconversion, or Short-Cycling](#) section).

## 7.5 Programming

### 7.5.1 Serial Interface

The device uses the serial clock (SCLK) for synchronizing data transfers in and out of the device.

The  $\overline{CS}$  signal defines one conversion and serial transfer frame. A frame starts with a  $\overline{CS}$  falling edge and ends with a  $\overline{CS}$  rising edge. Between the start and end of the frame, a minimum of  $N$  SCLK falling edges must be provided to validate the read or write operation. As shown in [Table 7-4](#),  $N$  depends upon the interface mode used to read the conversion result. When  $N$  SCLK falling edges are provided, the write operation attempted in the frame is validated and the internal user-programmable registers are updated on the subsequent  $\overline{CS}$  rising edge. This  $\overline{CS}$  rising edge also ends the frame.

**表 7-4. SCLK Falling Edges for a Valid Write Operation**

INTERFACE MODE	MINIMUM SCLK FALLING EDGES REQUIRED TO VALIDATE WRITE OPERATION $N$
32-CLK, dual-SDO mode (default); see the <a href="#">32-CLK, Dual-SDO Mode (CFR.B11 = 0, CFR.B10 = 0, Default)</a> section	32
32-CLK, single-SDO mode; see the <a href="#">32-CLK, Single-SDO Mode (CFR.B11 = 0, CFR.B10 = 1)</a> section	48

If  $\overline{CS}$  is brought high before providing  $N$  SCLK falling edges, the write operation attempted in the frame is not valid. See the [Frame Abort, Reconversion, or Short-Cycling](#) section for more details.

### 7.5.2 Write to User-Programmable Registers

The device features three user-programmable registers: the configuration register (CFR), the REFDAC\_A register, and the REFDAC\_B register. These registers can be written with the device SDI pin. The first 16 bits of data on SDI are latched into the device on the first 16 SCLK falling edges. However, the new configuration takes effect only when the read or write operation is validated. If these registers are not required to update, SDI must remain low during the respective frames.

The first four SDI data bits (B[15:12]) determine what operation is performed (that is, either a read or write operation or no operation), which register address the operation uses, and the function of the next 12 SDI data bits (B[11:0]). [Table 7-5](#) lists the various combinations supported for B[15:12].

**表 7-5. Data Write Operation**

B15	B14	B13	B12	OPERATION	FUNCTION OF BITS B[11:0]
0	0	0	0	No operation is performed	These bits are ignored
0	0	0	1	REFDAC_A read	000h; see the <a href="#">Reading User-Programmable Registers</a> section
0	0	1	0	REFDAC_B read	000h; see the <a href="#">Reading User-Programmable Registers</a> section
0	0	1	1	CFR read	000h; see the <a href="#">Reading User-Programmable Registers</a> section
1	0	0	0	CFR write	See the <a href="#">CFR register</a>
1	0	0	1	REFDAC_A write	See the <a href="#">REFDAC register</a>
1	0	1	0	REFDAC_B write	See the <a href="#">REFDAC register</a>
1	0	1	1	No operation is performed	These bits are ignored

表 7-5. Data Write Operation (continued)

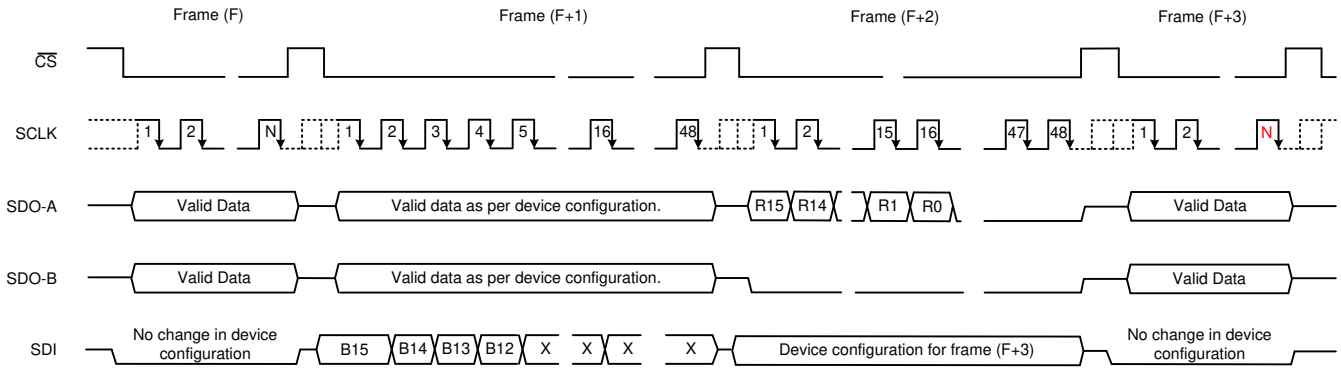
B15	B14	B13	B12	OPERATION	FUNCTION OF BITS B[11:0]
X	1	X	X	No operation is performed	These bits are ignored

### 7.5.3 Data Read Operation

The device supports two types of read operations: reading user-programmable registers and reading conversion results.

#### 7.5.3.1 Reading User-Programmable Registers

The device supports a readback option for all user-programmable registers: CFR, REFDAC\_A, and REFDAC\_B. 图 7-5 shows a detailed timing diagram for this operation.



N is a function of the device configuration, as described in 表 7-4.

图 7-5. Register Readback Timing

To readback the user-programmable register settings, transmit the appropriate control word, as shown in 表 7-6, to the device during frame (F+1). Frame (F+1) must have at least 48 SCLK falling edges.

表 7-6. Control Word to Readback User-Programmable Registers

USER-PROGRAMMABLE REGISTER	CONTROL WORD TO BE PROGRAMMED IN FRAME (F+1)	
	B[15:12] (Binary)	B[11:0] (Hex)
CFR	0011b	000h
REFDAC_A	0001b	000h
REFDAC_B	0010b	000h

Frame (F+2) must have at least 48 SCLK falling edges. During frame (F+2), SDO\_A outputs the contents of the selected user-programmable register on the first 16 SCLK falling edges (as shown in 表 7-7) and then outputs 0's for any subsequent SCLK falling edges. The SDO\_B pin outputs 0's for all SCLK falling edges.

表 7-7. Register Data Read Back

USER-PROGRAMMABLE REGISTER	DATA READ ON SDO-A IN FRAME (F+2)									
	R15	R14	R13	R12	R11	—	R3	R2	R1	R0
CFR	0	0	1	1	CFG.B11	—	CFG.B3	CFG.B2	CFG.B1	CFG.B0
REFDAC_A	0	0	0	1	REFDAC_A.D8	—	REFDAC_A.D0	0	0	0
REFDAC_B	0	0	1	0	REFDAC_B.D8	—	REFDAC_B.D0	0	0	0

Register settings programmed during frame (F+2) determine the device configuration in frame (F+3).

### 7.5.3.2 Conversion Data Read

The device provides two different interface modes for reading the conversion result. These modes offer flexible hardware connections and firmware programming. 表 7-8 shows how to select one of the two interface modes.

表 7-8. Interface Mode Selection

CFR.B11	CFR.B10	INTERFACE MODE	MINIMUM SCLK FALLING EDGES REQUIRED TO VALIDATE WRITE OPERATION N
0	0	32-CLK, dual-SDO mode (default)	32
0	1	32-CLK, single-SDO mode	48

In the 32-CLK interface modes, the device uses an internal clock to convert the sampled analog signal. The conversion is completed during the first 16 periods of SCLK and the conversion result can be read on the subsequent SCLK falling edges.

The following sections detail the various interface modes supported by the device.

#### 7.5.3.2.1 32-CLK, Dual-SDO Mode (CFR.B11 = 0, CFR.B10 = 0, Default)

The 32-CLK, dual-SDO mode is the default mode supported by the device. This mode can also be selected by writing CFR.B11 = 0 and CFR.B10 = 0.

In this mode, the SDO\_A pin outputs the ADC\_A conversion result and the SDO\_B pin outputs the ADC\_B conversion result. 图 7-6 shows a detailed timing diagram for this mode.

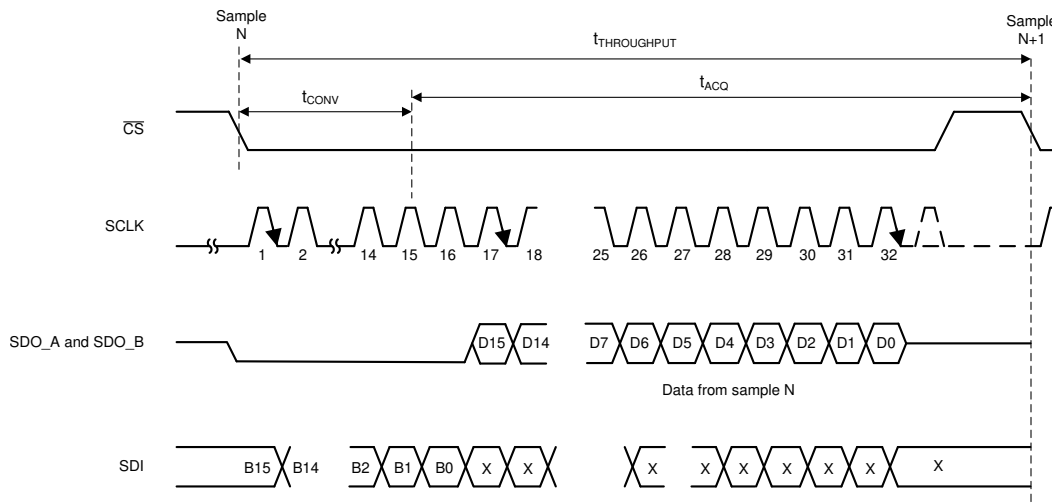


图 7-6. 32-CLK, Dual-SDO Mode Timing Diagram

A  $\overline{CS}$  falling edge brings the serial data bus out of 3-state and also outputs a 0 on the SDO\_A and SDO\_B pins. The device converts the sampled analog input during the conversion time ( $t_{CONV}$ ). SDO\_A and SDO\_B read 0 during this period. After completing the conversion process, the sample-and-hold circuit returns to sample mode. The device outputs the MSBs of ADC\_A and ADC\_B on the SDO\_A and SDO\_B pins, respectively, on the 16th SCLK falling edge. As shown in 表 7-9, the subsequent SCLK falling edges are used to shift out the rest of the bits of the conversion result.

表 7-9. Data Launch Edge

DEVICE	PINS	LAUNCH EDGE													
		$\overline{CS}$	SCLK												$\overline{CS}$
		↓	↓ 1	—	↓ 15	↓ 16	—	↓ 27	↓ 28	↓ 29	↓ 30	↓ 31	↓ 32 ...	↑	
ADS8353-Q1	SDO-A	0	0	—	0	D15_A	—	D4_A	D3_A	D2_A	D1_A	D0_A	0 ...	Hi-Z	
	SDO-B	0	0	—	0	D15_B	—	D4_B	D3_B	D2_B	D1_B	D0_B	0 ...	Hi-Z	



In this mode, at least 32 SCLK falling edges must be given to validate the read or write frame. A  $\overline{CS}$  rising edge ends the frame and puts the serial bus into 3-state.

See the [Timing Requirements](#) table for timing specifications specific to this serial interface mode.

### 7.5.3.2.2 32-CLK, Single-SDO Mode (CFR.B11 = 0, CFR.B10 = 1)

The 32-CLK, single-SDO mode provides the option of using only one SDO pin (SDO\_A) to read conversion results from both ADCs (ADC\_A and ADC\_B). SDO\_B remains in 3-state and can be treated as a no connect (NC) pin.

This mode can be selected by writing CFR.B11 = 0 and CFR.B10 = 1. 图 7-7 shows a detailed timing diagram for this mode.

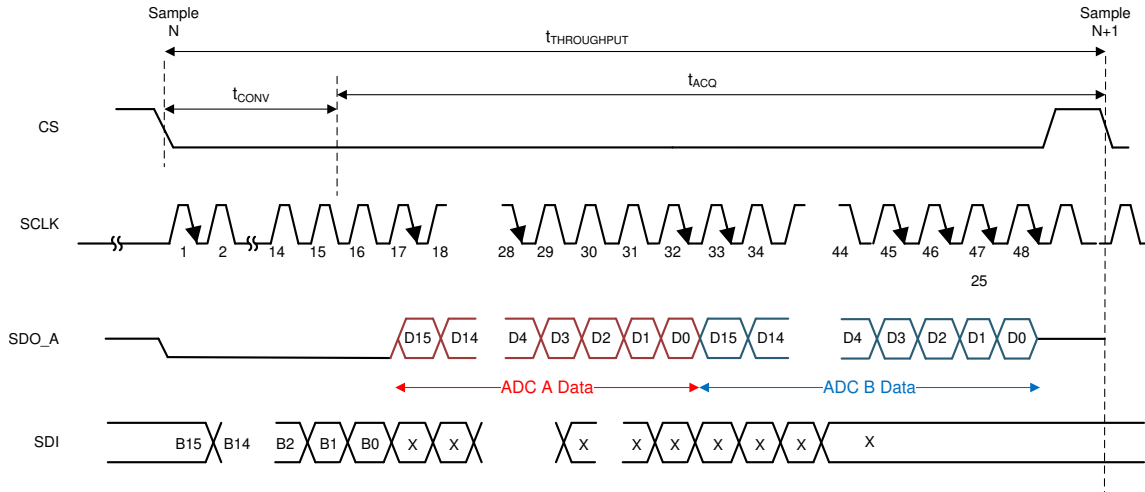


图 7-7. 32-CLK, Single-SDO Mode Timing Diagram

A  $\overline{CS}$  falling edge brings the serial data bus out of 3-state and also outputs a 0 on the SDO\_A pin. The device converts the sampled analog input during the conversion time ( $t_{CONV}$ ). SDO\_A reads 0 during this period. After completing the conversion process, the sample-and-hold circuit goes back into sample mode. The device outputs the MSB of ADC\_A on the SDO\_A pin on the 16th SCLK falling edge. As shown in 表 7-10, the subsequent SCLK falling edges are used to shift out the conversion result of ADC\_A followed by the conversion result of ADC\_B on the SDO\_A pin.

表 7-10. Data Launch Edge

DEVICE	PIN	LAUNCH EDGE																			
		$\overline{CS}$		SCLK																$\overline{CS}$	
		↓	↑	—	↓ 15	↓ 16	—	↓ 27	↓ 28	↓ 29	↓ 30	↓ 31	↓ 32	—	↓ 43	↓ 44	↓ 45	↓ 46	↓ 47	↓ 48 ...	↑
ADS8353-Q1	SDO-A	0	0	—	0	D15_A	—	D4_A	D3_A	D2_A	D1_A	D0_A	D15_B	—	D4_B	D3_B	D2_B	D1_B	D0_B	0 ...	Hi-Z

In this mode, at least 48 SCLK falling edges must be given to validate the read or write frame. A  $\overline{CS}$  rising edge ends the frame and puts the serial bus into 3-state.

See the [Timing Requirements](#) table for timing specifications specific to this serial interface mode.

### 7.5.4 Low-Power Modes

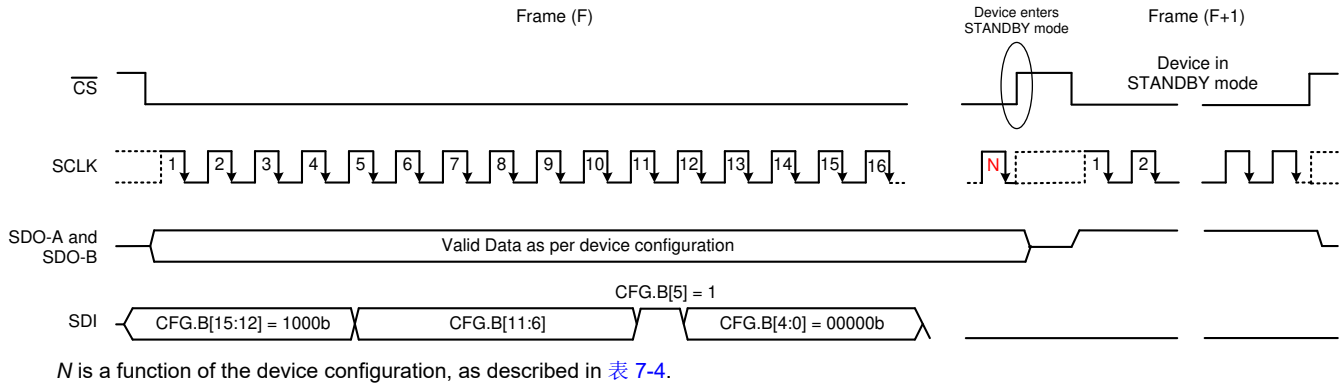
In normal mode of operation, all internal circuits of the device are always powered up and the device is always ready to commence a new conversion. This mode enables the device to support the rated throughput. The device also supports two low-power modes to optimize the power consumption at lower throughputs: STANDBY mode and software power-down (SPD) mode.

### 7.5.4.1 STANDBY Mode

The device supports a STANDBY mode of operation where some of the internal circuits of the device are powered down. However, if bit 6 in configuration register is set to 1 (CFR.B6 = 1), then the internal reference is not powered down and the contents of the REFDAC\_A and REFDAC\_B registers are retained to enable faster power-up to a normal mode of operation.

As shown in [图 7-8](#), a valid write operation in frame (F) programs the configuration register with B5 set to 1 (CFR.B5 = 1) and places the device into a STANDBY mode of operation on the following  $\overline{CS}$  rising edge. While in STANDBY mode, SDO\_A and SDO\_B output all 1s when  $\overline{CS}$  is low and remain in 3-state when  $\overline{CS}$  is high.

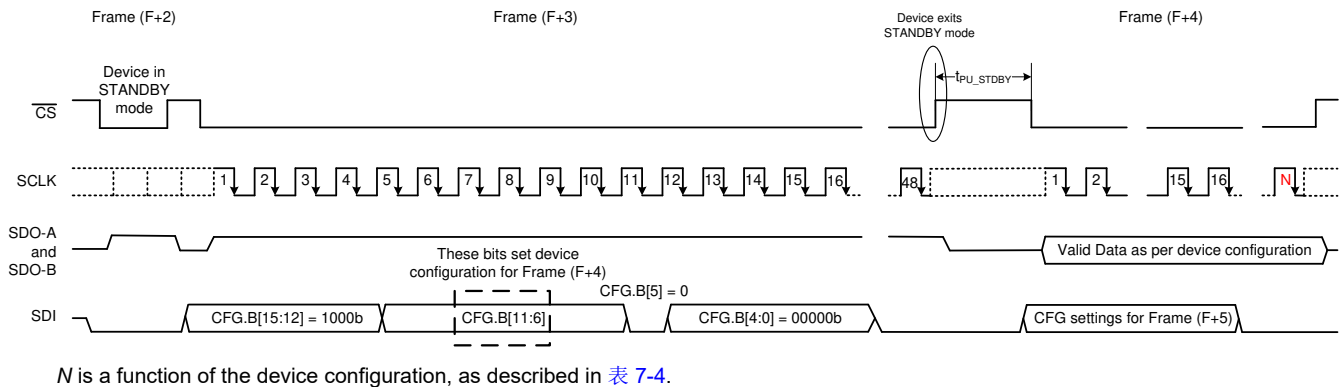
To remain in STANDBY mode, SDI must remain low in the subsequent frames.



**图 7-8. Enter STANDBY Mode**

As shown in [图 7-9](#), a valid write operation in frame (F+3) writes the configuration register with B5 set to 0 (CFR.B5 = 0) and brings the device out of STANDBY mode on the following  $\overline{CS}$  rising edge. Frame (F+3) must have at least 48 SCLK falling edges.

After exiting the STANDBY mode, a delay of  $t_{PU\_STDBY}$  must elapse for the internal circuits to fully power-up and resume normal operation in frame (F+4). Device configuration for frame (F+4) is determined by the status of the CFR.B[11:6] bits programmed during frame (F+3).



**图 7-9. Exit STANDBY Mode**

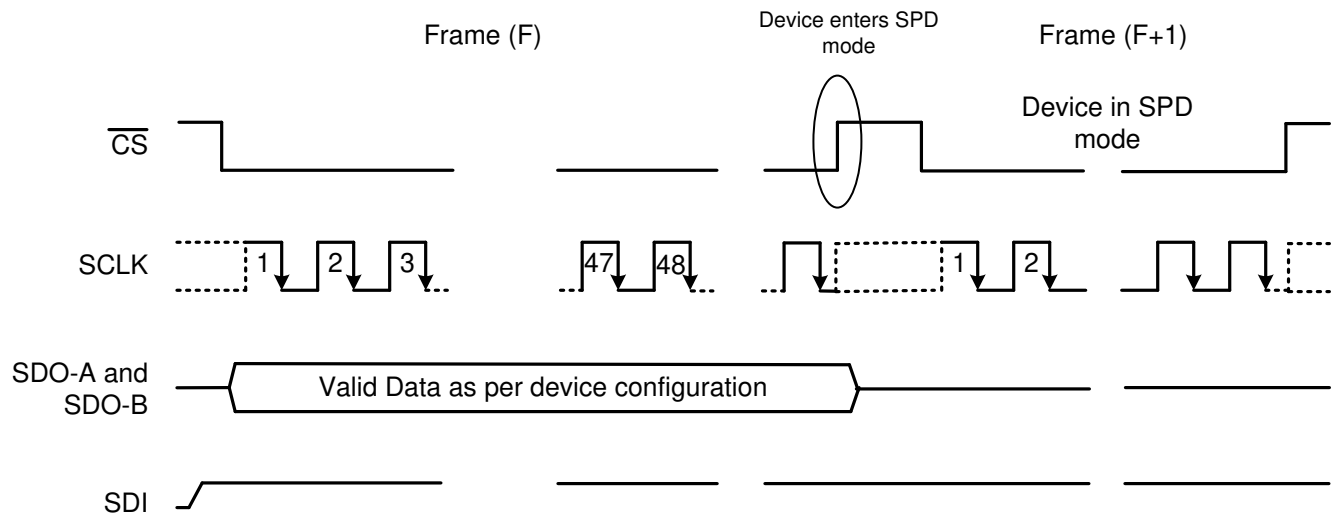
See the [Timing Requirements](#) table for timing specifications for this operating mode.

### 7.5.4.2 Software Power-Down (SPD) Mode

In software power-down (SPD) mode, all internal circuits (including the internal references) are powered down. However, the contents of the REFDAC\_A and REFDAC\_B registers are retained.

As shown in [图 7-10](#), to enter SPD mode, the device must be selected (by bringing  $\overline{CS}$  low) and SDI must be kept high for a minimum of 48 SCLK cycles during frame (F). The device goes to SPD on the  $\overline{CS}$  rising edge following frame (F). While in SPD mode, SDO\_A and SDO\_B go to 3-state irrespective of the status of the  $\overline{CS}$  signal.

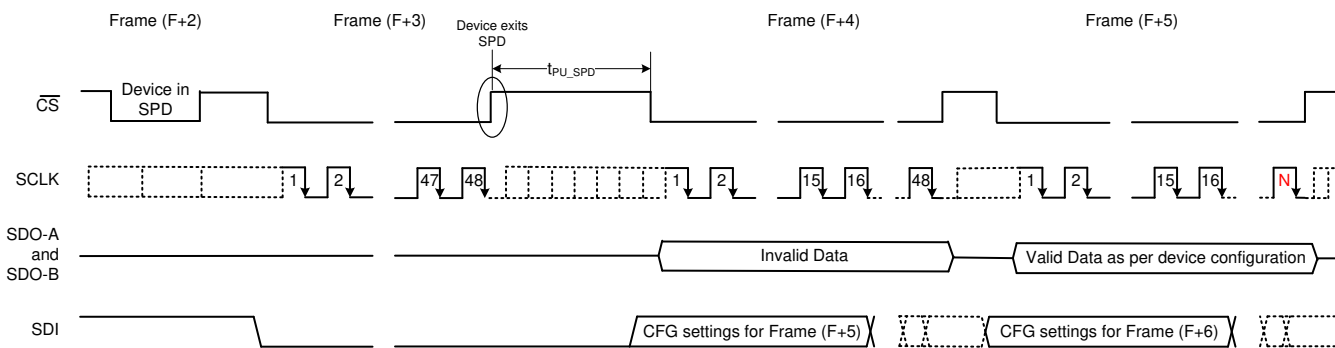
To remain in SPD mode, SDI must remain high in all subsequent frames.



**图 7-10. Enter SPD Mode**

As shown in [图 7-11](#), to exit SPD mode, the device must be selected (by bringing  $\overline{CS}$  low) and SDI must be kept low for a minimum of 48 SCLK cycles during frame (F+3). The device starts powering-up on a  $\overline{CS}$  rising edge following frame (F+3). After frame (F+3), a delay of  $t_{PU\_SPD}$  must elapse before programming the configuration register.

A valid write operation in frame (F+4) sets the device configuration for frame (F+5). Frame (F+4) must have at least 48 SCLK falling edges. Discard the output data in frame (F+4).



$N$  is a function of the device configuration, as described in [表 7-4](#).

**图 7-11. Exit SPD Mode**

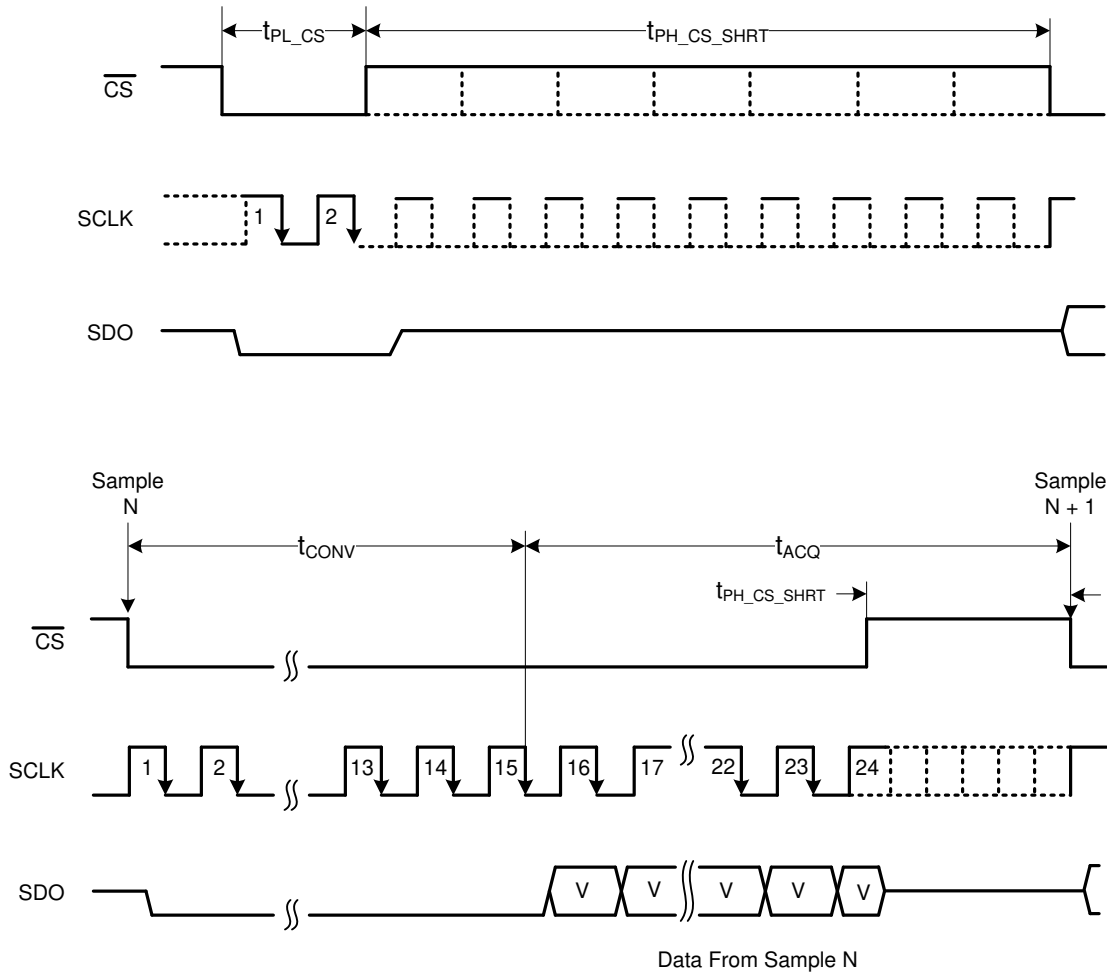
See the [Timing Requirements](#) table for timing specifications for this operating mode.

### 7.5.5 Frame Abort, Reconversion, or Short-Cycling

As shown in [图 7-12](#), the minimum number of SCLK falling edges ( $N$ ) that must be provided between the beginning and end of the frame depends on the serial interface mode. The SCLK falling edges ( $N$ ) program the device and retrieve the conversion result. If  $\overline{CS}$  is brought high before the expected number of SCLK falling edges are provided, the current frame is aborted and the device starts sampling the new analog input signal.

If frame ( $F$ ) is aborted, then the register write operation attempted in frame ( $F$ ) is considered invalid and the internal registers are not updated. The device continues to have the same configuration in frame ( $F+1$ ) from frame ( $F$ ).

The output data bits latched before the  $\overline{CS}$  rising edge are still valid data that correspond to sample  $N$ .



**图 7-12. Frame Abort, Reconversion, or Short-Cycling Feature**

See the [Timing Requirements](#) table for timing specifications for this operating mode.

## 7.6 Register Maps

### 7.6.1 ADS8353-Q1 Registers

表 7-11 lists the memory-mapped registers for the ADS8353-Q1 registers. Consider any register offset addresses not listed in 表 7-11 as reserved locations and, therefore, do not modify the register contents.

**表 7-11. ADS8353-Q1 Registers**

Offset	Acronym	Register Name	Section
0h	CFR	CFR register	<a href="#">节 7.6.1.2</a>
2h	REFDAC	REFDAC register	<a href="#">节 7.6.1.3</a>

Complex bit access types are encoded to fit into small table cells. 表 7-12 shows the codes that are used for access types in this section.

**表 7-12. ADS8353-Q1 Access Type Codes**

Access Type	Code	Description
Read Type		
R	R	Read
Write Type		
W	W	Write
Reset or Default Value		
-n		Value after reset or the default value

### 7.6.1.1 CFR Register (Offset = 0h) [reset = 0h]

CFR is shown in 图 7-9 and described in 表 7-13.

Return to 表 7-11.

图 7-13. CFR Register

15	14	13	12	11	10	9	8
WRITE_READ_CFR[3:0]				RD_CLK_MODE	RD_DATA_LINES	INPUT_RANGE	RESERVED
R/W-0000b				R/W-0b	R/W-0b	R/W-0b	R/W-0b
7	6	5	4	3	2	1	0
INM_SEL	REF_SEL	STANDBY	RD_DATA_FORMAT	0[3:0]			
R/W-0b	R/W-0b	W-0b	R/W-0b	R/W-0000b			

表 7-13. CFR Register Field Descriptions

Bit	Field	Type	Reset	Description
15-12	WRITE_READ_CFR[3:0]	R/W	0000b	These bits select the user-programmable register.  0011b = Select this combination to read the CFR register 1000b = Select this combination to write to CFR register and enable bits 11:0
11	RD_CLK_MODE	R/W	0b	This bit must be set to 0 (default).
10	RD_DATA_LINES	R/W	0b	This bit provides data line selection for the serial interface.  0b = Use SDO_A to output ADC_A data and SDO_B to output of ADC_B data (default) 1b = Use only SDO_A to output of ADC_A data followed by ADC_B data
9	INPUT_RANGE	R/W	0b	This bit selects the maximum input range for the ADC as a function of the reference voltage provided to the ADC. See the <a href="#">Analog Inputs</a> section for more details.  0b = FSR equals $V_{REF}$ 1b = FSR equals $2 \times V_{REF}$
8	RESERVED	R/W	0b	This bit must be set to 0 (default).
7	INM_SEL	R/W	0b	This bit selects the voltage to be externally connected to the INM pin.  0b = INM must be externally connected to the GND potential (default) 1b = INM must be externally connected to the FSR_ADC_x / 2
6	REF_SEL	R/W	0b	This bit selects the ADC reference voltage source. See the <a href="#">Reference</a> section for more details.  0b = Use external reference (default) 1b = Use internal reference
5	STANDBY	W	0b	This bit is used by the device to enter or exit STANDBY mode. See the <a href="#">STANDBY Mode</a> section for more details.

表 7-13. CFR Register Field Descriptions (continued)

Bit	Field	Type	Reset	Description
4	RD_DATA_FORMAT	R/W	0b	This bit selects the output data format. 0b = Output is in straight binary format (default) 1b = Output is in two's complement format
3-0	0[3:0]	R/W	0000b	These bits must be set to 0 (default).

### 7.6.1.2 REFDAC Register (Offset = 2h) [reset = 0h]

REFDAC is shown in 图 7-10 and described in 表 7-14.

Return to 表 7-11.

图 7-14. REFDAC Register

15	14	13	12	11	10	9	8
WRITE_READ_REFDAC[3:0]				D[8:0]			
R/W-0000b				R/W-000000000b			
7	6	5	4	3	2	1	0
D[8:0]					RESERVED		
R/W-000000000b					R/W-000b		

表 7-14. REFDAC Register Field Descriptions

Bit	Field	Type	Reset	Description
15-12	WRITE_READ_REFDAC[3:0]	R/W	0000b	These bits select the configurable register address. 1001 = Select this combination to write to the REFDAC_A register 1010 = Select this combination to write to the REFDAC_B register
11-3	D[8:0]	R/W	000000000b	Data to program the individual DAC output voltage. These bits are valid only for bits 15:12 = 1001 or bits 15:12 = 1010. 表 7-15 shows the relationship between the REFDAC_x programmed value and the DAC_x output voltage.
2-0	RESERVED	R/W	000b	This bit must be set to 0 (default).

表 7-15. REFDAC Settings

REFDAC_x VALUE (Bits 11:3 in Hex)	B[2:0]	Typical DAC_x OUTPUT VOLTAGE (V) <sup>(1)</sup>
1FF (default)	000	2.5000
1FE	000	2.4989
1FD	000	2.4978
—	—	—
1D7	000	2.45
—	—	—
1AE	000	2.40
—	—	—
186	000	2.35
—	—	—
15D	000	2.30
—	—	—
134	000	2.25
—	—	—
10C	000	2.20
—	—	—

表 7-15. REFDAC Settings (continued)

REFDAC_x VALUE (Bits 11:3 in Hex)	B[2:0]	Typical DAC_x OUPUT VOLTAGE (V) <sup>(1)</sup>
0E3	000	2.15
—	—	—
0BA	000	2.10
—	—	—
091	000	2.05
—	—	—
069	000	2.00
—	—	—
064 to 000	000	Do not use

(1) Actual output voltage may vary by a few millivolts from the specified value. To obtain the desired output voltage, TI recommends starting with the specified register setting and then experimenting with five codes on either side of the specified register setting.



## 8 Application and Implementation

### 备注

以下应用部分中的信息不属于 TI 器件规格的范围，TI 不担保其准确性和完整性。TI 的客户应负责确定器件是否适用于其应用。客户应验证并测试其设计，以确保系统功能。

### 8.1 Application Information

The two primary circuits required to maximize the performance of a high-precision, successive approximation register (SAR), analog-to-digital converter (ADC) are the input driver and the reference driver circuits. This section details some general principles for designing these circuits, and some application circuits designed using these devices.

The device supports operation either with an internal or external reference source. See the [Reference](#) section for details about the decoupling requirements.

The reference source to the ADC must provide low-drift and very accurate dc voltage and support the dynamic charge requirements without affecting the noise and linearity performance of the device. The output broadband noise (typically in the order of a few  $100 \mu V_{RMS}$ ) of the reference source must be appropriately filtered by using a low-pass filter with a cutoff frequency of a few hundred hertz. After band-limiting the noise from the reference source, the next important step is to design a reference buffer that can drive the dynamic load posed by the reference input of the ADC. At the start of each conversion, the reference buffer must regulate the voltage of the reference pin within 1 LSB of the intended value. This condition necessitates the use of a large filter capacitor at the reference pin of the ADC. The amplifier selected to drive the reference input pin must be stable while driving this large capacitor and must have low output impedance, low offset, and temperature drift specifications. To reduce the dynamic current requirements and crosstalk between the channels, a separate reference buffer is recommended for driving the reference input of each ADC channel.

The input driver circuit for a high-precision ADC mainly consists of two parts: a driving amplifier and a fly-wheel RC filter. The amplifier is used for signal conditioning of the input voltage and its low output impedance provides a buffer between the signal source and the switched capacitor inputs of the ADC. The RC filter helps attenuate the sampling charge injection from the switched-capacitor input stage of the ADC and functions as a charge kickback filter to band-limit the wideband noise contributed by the front-end circuit. Careful design of the front-end circuit is critical to meet the linearity and noise performance of a high-precision ADC.

#### 8.1.1 Input Amplifier Selection

Selection criteria for the input amplifiers is highly dependent on the input signal type and the performance goals of the data acquisition system. Some key amplifier specifications to consider while selecting an appropriate amplifier to drive the inputs of the ADC are:

- **Small-signal bandwidth.** Select the small-signal bandwidth of the input amplifiers to be as high as possible after meeting the power budget of the system. Higher bandwidth reduces the closed-loop output impedance of the amplifier, thus allowing the amplifier to more easily drive the low cutoff frequency RC filter at the ADC inputs. Higher bandwidth also minimizes the harmonic distortion at higher input frequencies. Select the amplifier bandwidth as described in [方程式 6](#) to maintain the overall stability of the input driver circuit:

$$Unity - Gain \ Bandwidth \geq 4 \times \left( \frac{1}{2\pi \times (R_{FLT} + R_{FLT}) \times C_{FLT}} \right) \quad (6)$$

- **Noise.** Noise contribution of the front-end amplifiers must be as low as possible to prevent any degradation in SNR performance of the system. As a rule of thumb, to ensure that the noise performance of the data acquisition system is not limited by the front-end circuit, keep the total noise contribution from the front-end circuit below 20% of the input-referred noise of the ADC. [方程式 7](#) calculates noise from the input driver circuit. This noise is band-limited by designing a low cutoff frequency RC filter:

$$N_G \times \sqrt{2} \times \sqrt{\left(\frac{V_{1/f\_AMP\_PP}}{6.6}\right)^2 + e_{n\_RMS}^2 \times \frac{\pi}{2} \times f_{-3dB}} \leq \frac{1}{5} \times \frac{V_{REF}}{\sqrt{2}} \times 10^{\left(\frac{SNR(dB)}{20}\right)} \quad (7)$$

where:

- $V_{1/f\_AMP\_PP}$  = the peak-to-peak flicker noise in  $\mu V$
- $e_{n\_RMS}$  = the amplifier broadband noise density in  $nV/\sqrt{Hz}$
- $f_{-3dB}$  = the 3-dB bandwidth of the RC filter
- $N_G$  = the noise gain of the front-end circuit, which is equal to 1 in a buffer configuration
- **Distortion.** Both the ADC and the input driver introduce nonlinearity in a data acquisition block. As a rule of thumb, the distortion of the input driver must be at least 10 dB lower than the distortion of the ADC, as shown in [方程式 8](#), to ensure that the distortion performance of the data acquisition system is not limited by the front-end circuit.

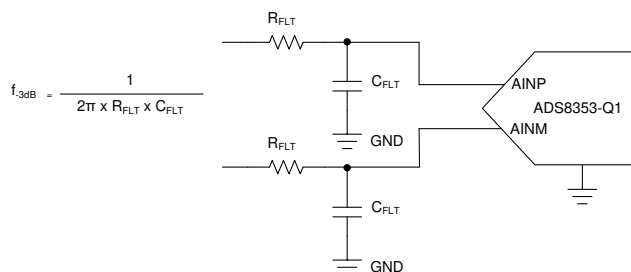
$$THD_{AMP} \leq THD_{ADC} - 10 \text{ (dB)} \quad (8)$$

- **Settling Time.** For dc signals with fast transients that are common in a multiplexed application, the input signal must settle to the desired accuracy at the inputs of the ADC during the acquisition time window. This condition is critical to maintain the overall linearity performance of the ADC. Typically, the amplifier data sheets specify the output settling performance only up to 0.1% to 0.001%, which may not be sufficient for the desired accuracy. Therefore, always verify the settling behavior of the input driver with TINA™-SPICE simulations before selecting the amplifier.

### 8.1.2 Charge Kickback Filter

Converting analog-to-digital signals requires sampling an input signal at a constant rate. Any higher frequency content in the input signal beyond half the sampling frequency is digitized and folded back into the low-frequency spectrum. This process is called *aliasing*. Therefore, an analog, charge kickback filter must be used to remove the harmonic content from the input signal before being sampled by the ADC. A charge kickback filter is designed as a low-pass, RC filter, for which the 3-dB bandwidth is optimized based on specific application requirements. For dc signals with fast transients (including multiplexed input signals), a high-bandwidth filter is designed to allow accurately settling the signal at the ADC inputs during the small acquisition time window. For ac signals, keep the filter bandwidth low to band-limit the noise fed into the ADC input, thereby increasing the signal-to-noise ratio (SNR) of the system.

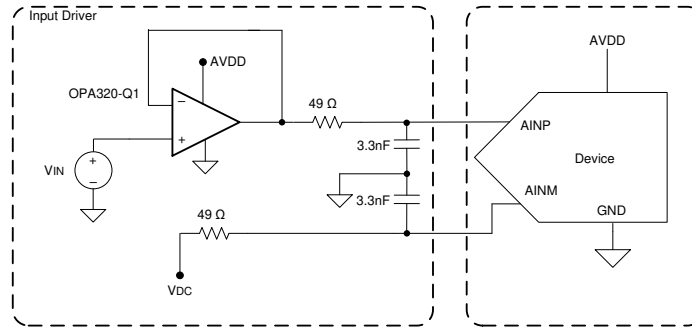
A filter capacitor,  $C_{FLT}$ , connected across the ADC inputs (see [图 8-1](#)), filters the noise from the front-end drive circuitry, reduces the sampling charge injection, and provides a charge bucket to quickly charge the internal sample-and-hold capacitors during the acquisition process. As a rule of thumb, the value of this capacitor must be at least 10 times the specified value of the ADC sampling capacitance. For these devices, the input sampling capacitance is equal to 40 pF. Thus, the value of  $C_{FLT}$  must be greater than 400 pF. The capacitor must be a COG- or NPO-type because these capacitor types have a high-Q, low-temperature coefficient, and stable electrical characteristics under varying voltages, frequency, and time.



**图 8-1. Charge Kickback Filter**

Driving capacitive loads can degrade the phase margin of the input amplifiers, thus making the amplifier marginally unstable. To avoid amplifier stability issues, series isolation resistors ( $R_{FLT}$ ) are used at the output of the amplifiers. A higher value of  $R_{FLT}$  is helpful from the amplifier stability perspective, but adds distortion as a result of interactions with the nonlinear input impedance of the ADC. Distortion increases with source impedance, input signal frequency, and input signal amplitude. Therefore, the selection of  $R_{FLT}$  requires balancing the stability and distortion of the design. For more information on ADC input R-C filter component selection, see the [TI Precision Labs](#) on ti.com.

## 8.2 Typical Application



Only one ADC channel is shown in this diagram. Replicate the same circuit for other ADC channels.

图 8-2. DAQ Circuit: Maximum SINAD for a 10-kHz Input Signal at Full Throughput, 32-CLK Interface

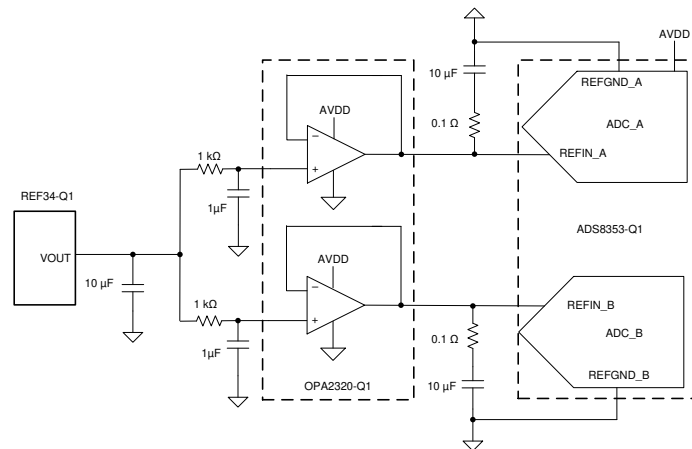


图 8-3. Reference Drive Circuit

### 8.2.1 Design Requirements

表 8-1 lists the target specifications for this application.

表 8-1. Target Specifications

TARGET SPECIFICATIONS		TEST CONDITIONS			
SNR	THD	DEVICE	INPUT SIGNAL FREQUENCY	THROUGHPUT	INTERFACE MODE
> 83 dB	< -100 dB	ADS8353-Q1	10 kHz	Maximum supported	32-CLK, dual-SDO

### 8.2.2 Detailed Design Procedure

Best practice is for the distortion from the input driver to be at least 10 dB less than the ADC distortion. The distortion resulting from variation in the common-mode signal is eliminated by using the amplifier in an inverting gain configuration that establishes a fixed common-mode level for the circuit. This configuration also eliminates the requirement of rail-to-rail swing at the amplifier input. The low-power [OPA320-Q1](#), used as an input driver,

provides exceptional ac performance because of its extremely low-distortion and high-bandwidth specifications. In addition, the components of the antialiasing filter are such that the noise from the front-end circuit is kept low without adding distortion to the input signal.

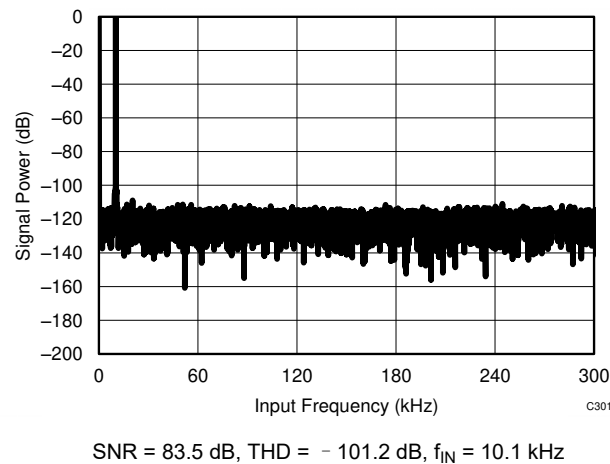
The application circuit illustrated in [图 8-2](#) is optimized to achieve the lowest distortion and lowest noise for a 10-kHz input signal fed to the ADS8353-Q1 operating at full throughput with the default 32-CLK, dual-SDO interface mode. The input signal is processed through a high-bandwidth, low-distortion amplifier in an inverting gain configuration and a low-pass RC filter before being fed into the device.

[图 8-3](#) illustrates the reference driver circuit when operation with an external reference is desired. The reference voltage is generated by the high-precision, low-noise [REF34-Q1](#) circuit. The output broadband noise of the reference is heavily filtered by a low-pass filter with a 3-dB cutoff frequency of 160 Hz. The decoupling capacitor on each reference pin is selected to be 10  $\mu$ F. The low output impedance, low noise, and fast settling time make the [OPA2320-Q1](#) a good choice for driving this high capacitive load.

### 8.2.3 Application Curve

To minimize external components and to maximize the dynamic range of the ADC, the device is configured to operate with internal reference (CFR.B6 = 1) and 2x  $V_{REF\_X}$  input full-scale range (CFR.B9 = 1).

[图 8-4](#) shows the FFT plot and test result obtained with the ADS8353-Q1 operating at full throughput with a 32-CLK interface and the circuit configuration of [图 8-2](#).



**图 8-4. ADS8353-Q1 in 32-CLK Interface Mode**

## 8.3 Power Supply Recommendations

The device has two separate power supplies: AVDD and DVDD. The device operates on AVDD; DVDD is used for the interface circuits. AVDD and DVDD can be independently set to any value within the permissible ranges.

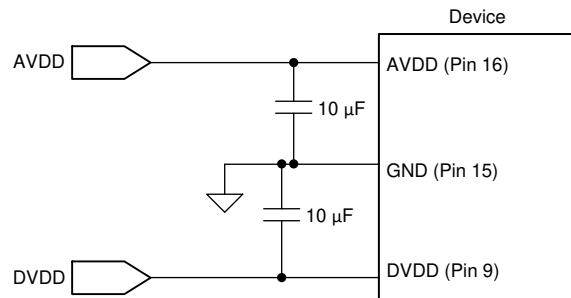
When using the device with the 2x  $V_{REF}$  input range (CFR.B9 = 1), the AVDD supply voltage value defines the permissible voltage swing on the analog input pins. AVDD must be set as shown in [方程式 9](#), [方程式 10](#), and [方程式 11](#) to avoid saturation of output codes and to use the full dynamic range on the analog input pins:

$$AVDD \geq 2 \times V_{REF\_A} \quad (9)$$

$$AVDD \geq 2 \times V_{REF\_B} \quad (10)$$

$$4.75 \text{ V} \leq AVDD \leq 5.25 \text{ V} \quad (11)$$

Decouple the AVDD and DVDD pins, as shown in [图 8-5](#), with the GND pin using individual 10- $\mu$ F decoupling capacitors.



**图 8-5. Power-Supply Decoupling**

## 8.4 Layout

### 8.4.1 Layout Guidelines

图 8-6 shows a board layout example for the ADS8353-Q1 TSSOP package. Partition the printed circuit board (PCB) into analog and digital sections. Avoid crossing digital lines with the analog signal path and keep the analog input signals and the reference input signals away from noise sources. As shown in 图 8-6, the analog input and reference signals are routed on the left side of the board and the digital connections are routed on the right side of the device.

The power sources to the device must be clean and well-bypassed. Use 10- $\mu$ F, ceramic bypass capacitors in close proximity to the analog (AVDD) and digital (DVDD) power-supply pins. Avoid placing vias between the AVDD and DVDD pins and the bypass capacitors. Connect all ground pins to the ground plane using short, low impedance paths.

The REFIO-A and REFIO-B reference inputs and outputs are bypassed with 10- $\mu$ F, X7R-grade, 0805-size, 16-V rated ceramic capacitors ( $C_{REF-x}$ ). Place the reference bypass capacitors as close as possible to the reference REFIO-x pins and connect the bypass capacitors using short, low-inductance connections. Avoid placing vias between the REFIO-x pins and the bypass capacitors. Small 0.1- $\Omega$  to 0.2- $\Omega$  resistors ( $R_{REF-x}$ ) are used in series with the reference bypass capacitors to improve stability.

The fly-wheel RC filters are placed immediately next to the input pins. Among ceramic surface-mount capacitors, COG (NPO) ceramic capacitors provide the best capacitance precision. The type of dielectric used in COG (NPO) ceramic capacitors provides the most stable electrical properties over voltage, frequency, and temperature changes. 图 8-6 shows  $C_{IN-A}$  and  $C_{IN-B}$  filter capacitors placed across the analog input pins of the device.

### 8.4.2 Layout Example

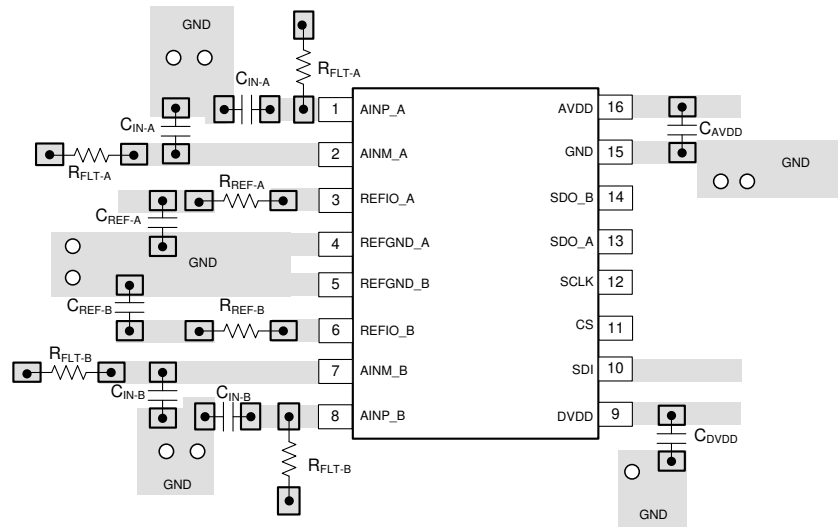


图 8-6. Recommended Layout

## 9 Device and Documentation Support

### 9.1 Device Support

#### 9.1.1 Development Support

Texas Instruments, [TI Precision Labs TI training and videos site](#)

### 9.2 Documentation Support

#### 9.2.1 Related Documentation

For related documentation see the following:

- Texas Instruments, [OPAx320-Q1 Precision, 20-MHz, 0.9-pA, low-noise, RRIO, CMOS operational amplifier data sheet](#)
- Texas Instruments, [REF34-Q1 Low-drift, low-power, small-footprint series voltage references data sheet](#)

### 9.3 接收文档更新通知

要接收文档更新通知，请导航至 [ti.com](#) 上的器件产品文件夹。点击 [订阅更新](#) 进行注册，即可每周接收产品信息更改摘要。有关更改的详细信息，请查看任何已修订文档中包含的修订历史记录。

### 9.4 支持资源

[TI E2E™ 支持论坛](#) 是工程师的重要参考资料，可直接从专家获得快速、经过验证的解答和设计帮助。搜索现有解答或提出自己的问题可获得所需的快速设计帮助。

链接的内容由各个贡献者“按原样”提供。这些内容并不构成 TI 技术规范，并且不一定反映 TI 的观点；请参阅 TI 的《[使用条款](#)》。

### 9.5 Trademarks

TINA™ and TI E2E™ are trademarks of Texas Instruments.

所有商标均为其各自所有者的财产。

### 9.6 Electrostatic Discharge Caution



This integrated circuit can be damaged by ESD. Texas Instruments recommends that all integrated circuits be handled with appropriate precautions. Failure to observe proper handling and installation procedures can cause damage.

ESD damage can range from subtle performance degradation to complete device failure. Precision integrated circuits may be more susceptible to damage because very small parametric changes could cause the device not to meet its published specifications.

### 9.7 术语表

[TI 术语表](#) 本术语表列出并解释了术语、首字母缩略词和定义。

## Mechanical, Packaging, and Orderable Information

The following pages include mechanical, packaging, and orderable information. This information is the most current data available for the designated devices. This data is subject to change without notice and revision of this document. For browser-based versions of this data sheet, refer to the left-hand navigation.

**PACKAGING INFORMATION**

Orderable part number	Status (1)	Material type (2)	Package   Pins	Package qty   Carrier	RoHS (3)	Lead finish/ Ball material (4)	MSL rating/ Peak reflow (5)	Op temp (°C)	Part marking (6)
<a href="#">ADS8353QPWQ1</a>	Active	Production	TSSOP (PW)   16	90   TUBE	Yes	NIPDAU	Level-2-260C-1 YEAR	-40 to 125	A8353Q
ADS8353QPWQ1.B	Active	Production	TSSOP (PW)   16	90   TUBE	Yes	NIPDAU	Level-2-260C-1 YEAR	-40 to 125	A8353Q
<a href="#">ADS8353QPWRQ1</a>	Active	Production	TSSOP (PW)   16	2000   LARGE T&R	Yes	NIPDAU	Level-2-260C-1 YEAR	-40 to 125	A8353Q
ADS8353QPWRQ1.B	Active	Production	TSSOP (PW)   16	2000   LARGE T&R	Yes	NIPDAU	Level-2-260C-1 YEAR	-40 to 125	A8353Q

(1) **Status:** For more details on status, see our [product life cycle](#).

(2) **Material type:** When designated, preproduction parts are prototypes/experimental devices, and are not yet approved or released for full production. Testing and final process, including without limitation quality assurance, reliability performance testing, and/or process qualification, may not yet be complete, and this item is subject to further changes or possible discontinuation. If available for ordering, purchases will be subject to an additional waiver at checkout, and are intended for early internal evaluation purposes only. These items are sold without warranties of any kind.

(3) **RoHS values:** Yes, No, RoHS Exempt. See the [TI RoHS Statement](#) for additional information and value definition.

(4) **Lead finish/Ball material:** Parts may have multiple material finish options. Finish options are separated by a vertical ruled line. Lead finish/Ball material values may wrap to two lines if the finish value exceeds the maximum column width.

(5) **MSL rating/Peak reflow:** The moisture sensitivity level ratings and peak solder (reflow) temperatures. In the event that a part has multiple moisture sensitivity ratings, only the lowest level per JEDEC standards is shown. Refer to the shipping label for the actual reflow temperature that will be used to mount the part to the printed circuit board.

(6) **Part marking:** There may be an additional marking, which relates to the logo, the lot trace code information, or the environmental category of the part.

Multiple part markings will be inside parentheses. Only one part marking contained in parentheses and separated by a "-" will appear on a part. If a line is indented then it is a continuation of the previous line and the two combined represent the entire part marking for that device.

**Important Information and Disclaimer:** The information provided on this page represents TI's knowledge and belief as of the date that it is provided. TI bases its knowledge and belief on information provided by third parties, and makes no representation or warranty as to the accuracy of such information. Efforts are underway to better integrate information from third parties. TI has taken and continues to take reasonable steps to provide representative and accurate information but may not have conducted destructive testing or chemical analysis on incoming materials and chemicals. TI and TI suppliers consider certain information to be proprietary, and thus CAS numbers and other limited information may not be available for release.

In no event shall TI's liability arising out of such information exceed the total purchase price of the TI part(s) at issue in this document sold by TI to Customer on an annual basis.

**OTHER QUALIFIED VERSIONS OF ADS8353-Q1 :**



- Catalog : [ADS8353](#)

NOTE: Qualified Version Definitions:

- Catalog - TI's standard catalog product

**TAPE AND REEL INFORMATION**

**QUADRANT ASSIGNMENTS FOR PIN 1 ORIENTATION IN TAPE**


\*All dimensions are nominal

Device	Package Type	Package Drawing	Pins	SPQ	Reel Diameter (mm)	Reel Width W1 (mm)	A0 (mm)	B0 (mm)	K0 (mm)	P1 (mm)	W (mm)	Pin1 Quadrant
ADS8353QPWRQ1	TSSOP	PW	16	2000	330.0	12.4	6.9	5.6	1.6	8.0	12.0	Q1

**TAPE AND REEL BOX DIMENSIONS**

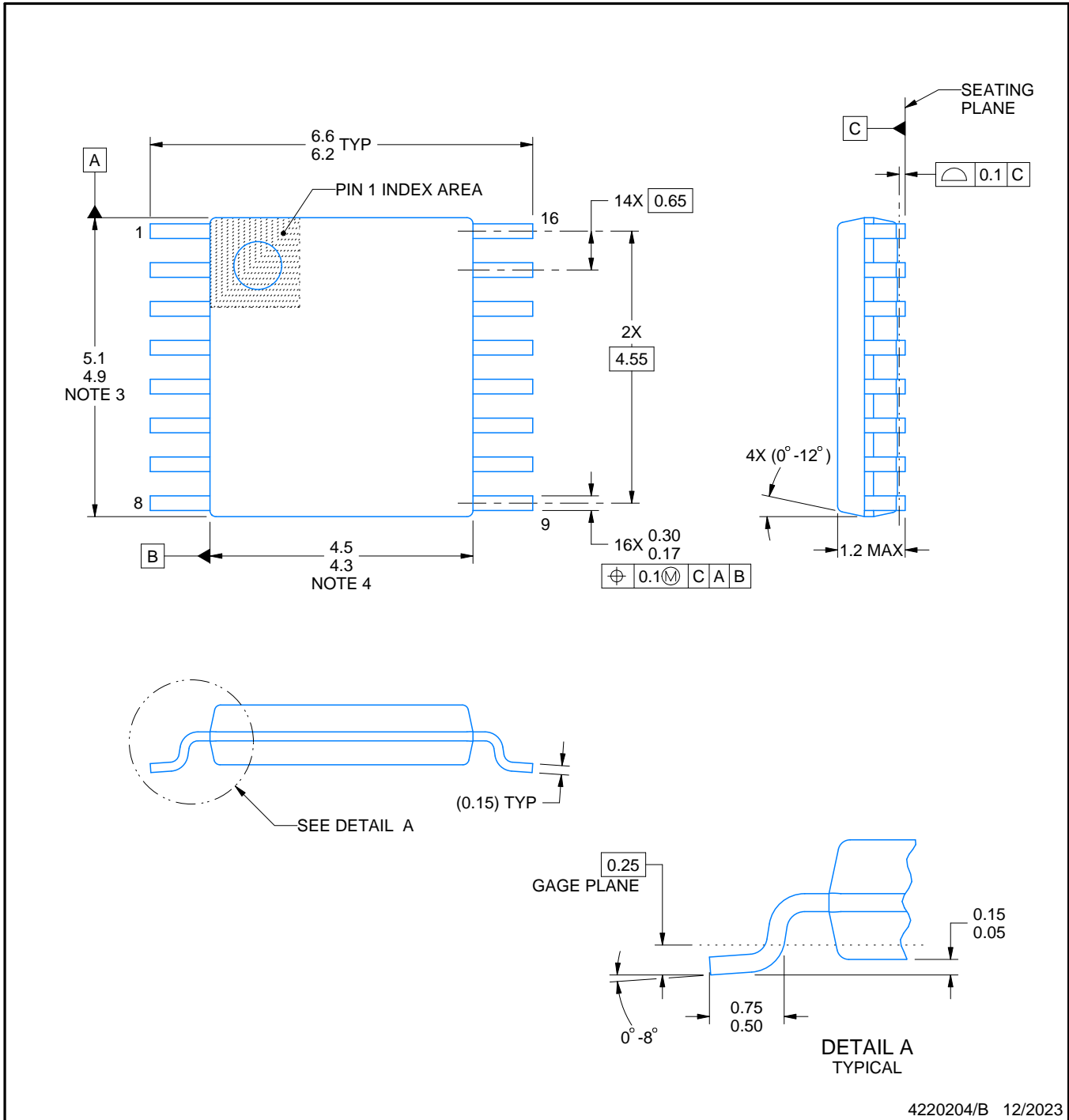
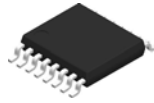

\*All dimensions are nominal

Device	Package Type	Package Drawing	Pins	SPQ	Length (mm)	Width (mm)	Height (mm)
ADS8353QPWRQ1	TSSOP	PW	16	2000	350.0	350.0	43.0

**TUBE**


\*All dimensions are nominal

Device	Package Name	Package Type	Pins	SPQ	L (mm)	W (mm)	T (μm)	B (mm)
ADS8353QPWQ1	PW	TSSOP	16	90	530	10.2	3600	3.5
ADS8353QPWQ1.B	PW	TSSOP	16	90	530	10.2	3600	3.5
ADS8353QPWRQ1	PW	TSSOP	16	2000	530	10.2	3600	3.5
ADS8353QPWRQ1.B	PW	TSSOP	16	2000	530	10.2	3600	3.5



4220204/B 12/2023

NOTES:

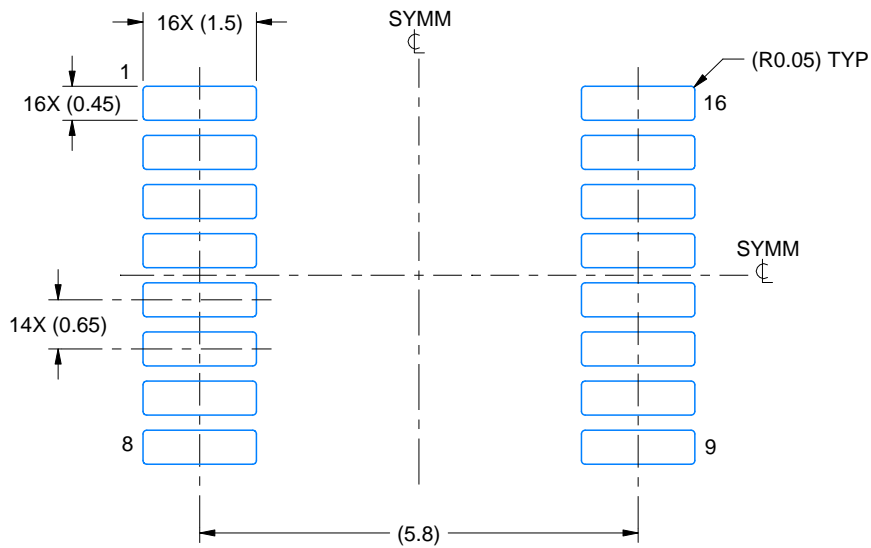
1. All linear dimensions are in millimeters. Any dimensions in parenthesis are for reference only. Dimensioning and tolerancing per ASME Y14.5M.
2. This drawing is subject to change without notice.
3. This dimension does not include mold flash, protrusions, or gate burrs. Mold flash, protrusions, or gate burrs shall not exceed 0.15 mm per side.
4. This dimension does not include interlead flash. Interlead flash shall not exceed 0.25 mm per side.
5. Reference JEDEC registration MO-153.

# EXAMPLE BOARD LAYOUT

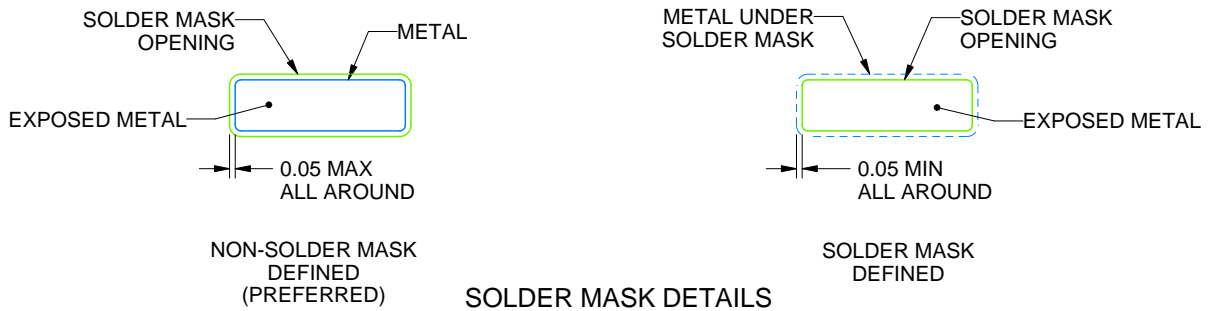
PW0016A

TSSOP - 1.2 mm max height

SMALL OUTLINE PACKAGE



LAND PATTERN EXAMPLE  
EXPOSED METAL SHOWN  
SCALE: 10X



SOLDER MASK DETAILS

4220204/B 12/2023

NOTES: (continued)

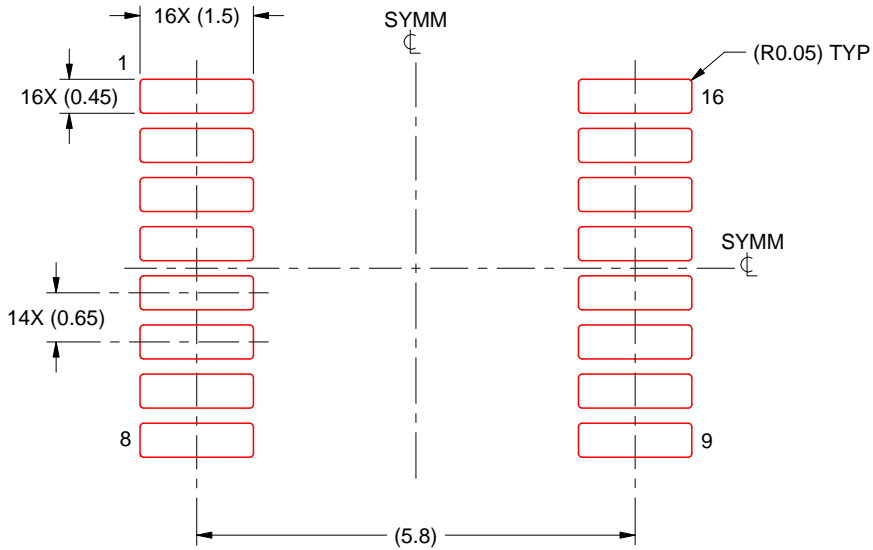
- 6. Publication IPC-7351 may have alternate designs.
- 7. Solder mask tolerances between and around signal pads can vary based on board fabrication site.

# EXAMPLE STENCIL DESIGN

PW0016A

TSSOP - 1.2 mm max height

SMALL OUTLINE PACKAGE



SOLDER PASTE EXAMPLE  
BASED ON 0.125 mm THICK STENCIL  
SCALE: 10X

4220204/B 12/2023

NOTES: (continued)

8. Laser cutting apertures with trapezoidal walls and rounded corners may offer better paste release. IPC-7525 may have alternate design recommendations.
9. Board assembly site may have different recommendations for stencil design.

## 重要通知和免责声明

TI“按原样”提供技术和可靠性数据（包括数据表）、设计资源（包括参考设计）、应用或其他设计建议、网络工具、安全信息和其他资源，不保证没有瑕疵且不做任何明示或暗示的担保，包括但不限于对适销性、与某特定用途的适用性或不侵犯任何第三方知识产权的暗示担保。

这些资源可供使用 TI 产品进行设计的熟练开发人员使用。您将自行承担以下全部责任：(1) 针对您的应用选择合适的 TI 产品，(2) 设计、验证并测试您的应用，(3) 确保您的应用满足相应标准以及任何其他安全、安保法规或其他要求。

这些资源如有变更，恕不另行通知。TI 授权您仅可将这些资源用于研发本资源所述的 TI 产品的相关应用。严禁以其他方式对这些资源进行复制或展示。您无权使用任何其他 TI 知识产权或任何第三方知识产权。对于因您对这些资源的使用而对 TI 及其代表造成的任何索赔、损害、成本、损失和债务，您将全额赔偿，TI 对此概不负责。

TI 提供的产品受 [TI 销售条款](#)、[TI 通用质量指南](#) 或 [ti.com](#) 上其他适用条款或 TI 产品随附的其他适用条款的约束。TI 提供这些资源并不会扩展或以其他方式更改 TI 针对 TI 产品发布的适用的担保或担保免责声明。除非德州仪器 (TI) 明确将某产品指定为定制产品或客户特定产品，否则其产品均为按确定价格收入目录的标准通用器件。

TI 反对并拒绝您可能提出的任何其他或不同的条款。

版权所有 © 2026，德州仪器 (TI) 公司

最后更新日期：2025 年 10 月