

# ADS7142 纳瓦级功率、双通道、可编程传感器监控器

## 1 特性

- 适用于成本敏感型设计的独立纳瓦级功率传感器监控器
- 小封装尺寸：1.5mm × 2mm
- 高效的主机休眠和唤醒
  - 自主监控功耗为 900nW
  - 用于事件触发主机唤醒的窗口比较器
  - 主机休眠期间数据缓冲
- 独立的传感器配置和校准
  - 双通道、伪差动或接地检测输入配置
  - 用于校准的可编程阈值
  - 内部校准改善了偏移和漂移
- 错误触发防护
  - 每个通道的可编程阈值
  - 用于实现抗噪性能的可编程磁滞
  - 用于瞬态抑制的事件计数器
- 深入的数据分析
  - 用于故障诊断的数据缓冲
  - 用于实现 16 位精度的高精度模式
  - 用于快速数据捕获的一次性模式
- I<sup>2</sup>C™ 接口
  - 兼容 1.65V 至 3.6V 的电压范围
  - 8 个可配置地址
  - 高达 3.4MHz（高速）
- 宽工作频率范围：
  - 模拟电源：1.65V 到 3.6V
  - 温度范围：-40°C 至 125°C

## 2 应用

- 物联网 (IoT) 的传感器节点
- 气体、热量、PIR 运动和烟雾探测器
- 用于电梯、自动扶梯、HVAC、工业设备等的预防性维护
- 可穿戴电子产品
- 用于故障指示器的过零检测
- 监控功能
- 具有可编程基准电压的比较器
- 用于深入学习人工智能的传感器

## 3 说明

ADS7142 可在优化系统功耗、可靠性和性能的过程中自主监测信号。它可使用带有可编程高低阈值、磁滞和事件计数器的数字窗口比较器根据通道实施由事件引发的中断。该器件在逐次逼近型寄存器模数转换器 (SAR ADC) 前方包含一个双通道模拟多路复用器，后跟一个用于转换和捕获传感器数据的内部数据缓冲器。

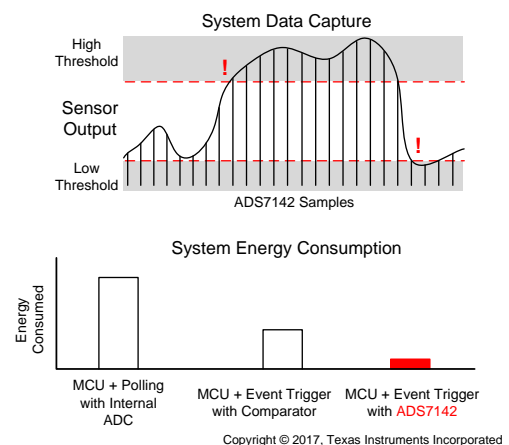
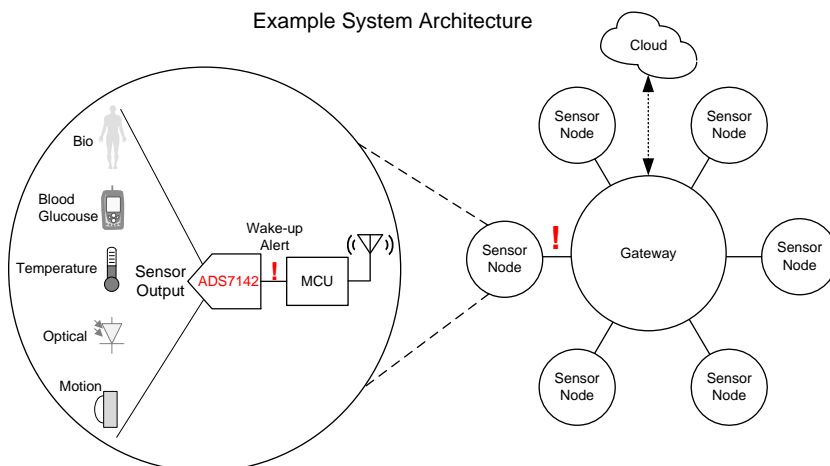
ADS7142 采用 10 引脚 QFN 封装，功耗仅为 900 nW。该器件体积小，功耗低，非常适合空间受限型和/或电池供电类应用。

器件信息<sup>(1)</sup>

部件名称	封装	封装尺寸（标称值）
ADS7142	X2QFN (10)	1.50mm x 2.00mm

(1) 如需了解所有可用封装，请参阅数据表末尾的可订购产品附录。

Example System Architecture



Copyright © 2017, Texas Instruments Incorporated



## 目录

<b>1 特性</b> ..... 1 <b>2 应用</b> ..... 1 <b>3 说明</b> ..... 1 <b>4 修订历史记录</b> ..... 2 <b>5 Pin Configuration and Functions</b> ..... 3 <b>6 Specifications</b> ..... 4 6.1 Absolute Maximum Ratings ..... 4 6.2 ESD Ratings ..... 4 6.3 Recommended Operating Conditions ..... 4 6.4 Thermal Information ..... 4 6.5 Electrical Characteristics - All Modes ..... 5 6.6 Electrical Characteristics - Manual Mode ..... 6 6.7 Electrical Characteristics - Autonomous Modes ..... 7 6.8 Electrical Characteristics - High Precision Mode ..... 7 6.9 Timing Requirements ..... 8 6.10 Switching Characteristics ..... 9 6.11 Typical Characteristics for All Modes ..... 12 6.12 Typical Characteristics for Manual Mode ..... 12 6.13 Typical Characteristics for Autonomous Modes ..... 17 6.14 Typical Characteristics for High Precision Mode .. 18 <b>7 Detailed Description</b> ..... 19 7.1 Overview ..... 19	7.2 Functional Block Diagram ..... 19 7.3 Feature Description ..... 20 7.4 Device Functional Modes ..... 31 7.5 Optimizing Power Consumed by the Device ..... 41 7.6 Register Map ..... 43 <b>8 Application and Implementation</b> ..... 60 8.1 Application Information ..... 60 8.2 Typical Applications ..... 60 <b>9 Power-Supply Recommendations</b> ..... 67 9.1 AVDD and DVDD Supply Recommendations ..... 67 <b>10 Layout</b> ..... 68 10.1 Layout Guidelines ..... 68 10.2 Layout Example ..... 68 <b>11 器件和文档支持</b> ..... 70 11.1 文档支持 ..... 70 11.2 接收文档更新通知 ..... 70 11.3 社区资源 ..... 70 11.4 商标 ..... 70 11.5 静电放电警告 ..... 70 11.6 Glossary ..... 70 <b>12 机械、封装和可订购信息</b> ..... 70
--	--

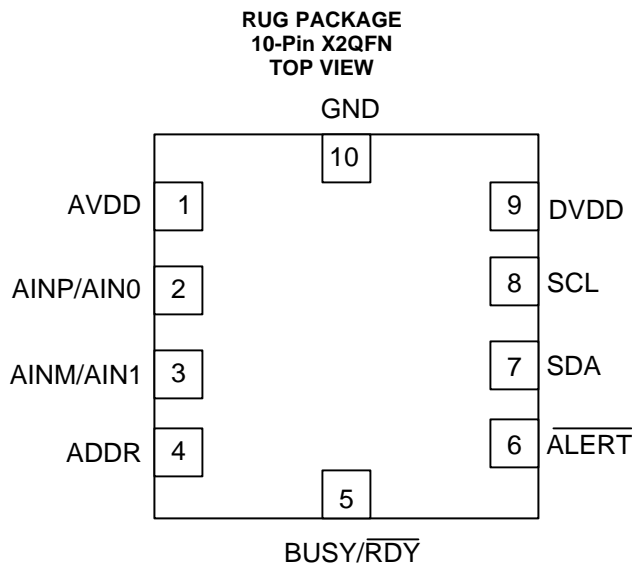
## 4 修订历史记录

### Changes from Original (September 2017) to Revision A

Page

<ul style="list-style-type: none"> <li>• 将器件状态从预告信息更改成了生产数据 ..... 1</li> </ul>	1
--	---

## 5 Pin Configuration and Functions



### Pin Functions

PIN		I/O	DESCRIPTION
NAME	NO.		
AVDD	1	Supply	Analog supply input, also used as the reference voltage for analog-to-digital conversion.
AINP/AIN0	2	Analog input	Single-Channel operation: Positive analog signal input Two-Channel operation: Analog signal input, Channel 0
AINM/AIN1	3	Analog input	Single-Channel operation: Negative analog signal input Two-Channel operation: Analog signal input, Channel 1
ADDR	4	Analog Input	Input for selecting I <sup>2</sup> C address of the device. The device address can be selected from one of the eight values by connecting resistors on this pin. Refer <a href="#">表 2</a> for details
BUSY/ $\overline{\text{RDY}}$	5	Digital output	The device pulls this pin high when it is scanning through channels in a sequence and brings this pin low when sequence is completed or aborted.
$\overline{\text{ALERT}}$	6	Digital output	Active low, open drain output. Status of this pin is controlled by Digital window comparator block. Connect a pull-up resistor from DVDD to this pin
SDA	7	Digital input/output	Serial data in/out for I <sup>2</sup> C interface. Connect a pull-up resistor from DVDD to this pin
SCL	8	Digital input	Serial clock for I <sup>2</sup> C interface. Connect a pull-up resistor from DVDD to this pin
DVDD	9	Supply	Digital I/O supply voltage
GND	10	Supply	Ground for power supply, all analog and digital signals are referred to this pin

## 6 Specifications

### 6.1 Absolute Maximum Ratings

over operating free-air temperature range (unless otherwise noted)<sup>(1)</sup>

	MIN	MAX	UNIT
ADDR to GND	-0.3	AVDD + 0.3	V
AVDD to GND	-0.3	3.9	V
DVDD to GND	-0.3	3.9	V
AINP/AIN0 to GND	-0.3	AVDD + 0.3	V
AINM/AIN1 to GND	-0.3	AVDD + 0.3	V
Input current on any pin except supply pins	-10	10	mA
Digital Input to GND	-0.3	DVDD + 0.3	V
Storage Temperature, T <sub>stg</sub>	-60	150	°C

- (1) Stresses beyond those listed under *Absolute Maximum Rating* may cause permanent damage to the device. These are stress ratings only, which do not imply functional operation of the device at these or any other conditions beyond those indicated under *Recommended Operating Condition*. Exposure to absolute-maximum-rated conditions for extended periods may affect device reliability.

### 6.2 ESD Ratings

		VALUE	UNIT
V <sub>(ESD)</sub>	Electrostatic discharge	±2000	V
		±1000	

- (1) JEDEC document JEP155 states that 500-V HBM allows safe manufacturing with a standard ESD control process.  
 (2) JEDEC document JEP157 states that 250-V CDM allows safe manufacturing with a standard ESD control process.

### 6.3 Recommended Operating Conditions

over operating free-air temperature range (unless otherwise noted)

		MIN	NOM	MAX	UNIT
AVDD	Analog Supply Voltage Range	1.65		3.6	V
DVDD	Digital Voltage Supply Voltage Range	1.65		3.6	A
T <sub>A</sub>	Ambient temperature	-40		125	°C
T <sub>J</sub>	Junction temperature	-60		150	°C

### 6.4 Thermal Information

THERMAL METRIC <sup>(1)</sup>		ADS7142	UNIT
		RUG	
		10 PINS	
R <sub>θJA</sub>	Junction-to-ambient thermal resistance	120.3	°C/W
R <sub>θJC(top)</sub>	Junction-to-case (top) thermal resistance	42.7	°C/W
R <sub>θJB</sub>	Junction-to-board thermal resistance	51.1	°C/W
Ψ <sub>JT</sub>	Junction-to-top characterization parameter	0.8	°C/W
Ψ <sub>JB</sub>	Junction-to-board characterization parameter	51.2	°C/W
R <sub>θJC(bot)</sub>	Junction-to-case (bottom) thermal resistance	N/A	°C/W

- (1) For more information about traditional and new thermal metrics, see the [Semiconductor and IC Package Thermal Metrics](#) application report.

## 6.5 Electrical Characteristics - All Modes

At TA = -40°C to 125°C, AVDD = 3V, DVDD = 1.65 to 3.6V, All Channel Configurations, unless otherwise noted.

PARAMETER		TEST CONDITIONS	MIN	TYP	MAX	UNIT
<b>ANALOG INPUT - Two-Channel Single-Ended Configuration</b>						
Full-scale input voltage span <sup>(1)</sup>	AINP/AIN0 to GND or AINM/AIN1 to GND		0		AVDD	V
Absolute Input voltage range	AINP/AIN0 to GND or AINM/AIN1 to GND		-0.1		AVDD + 0.1	V
<b>ANALOG INPUT - Single-Channel Single-Ended Configuration (with Remote Ground Sense)</b>						
Full-scale input voltage span <sup>(1)</sup>	AINP/AIN0 to GND or AINM/AIN1 to GND		0		AVDD	V
Absolute Input voltage range	AINP/AIN0 to GND		-0.1		AVDD + 0.1	V
	AINM/AIN1 to GND		-0.1		0.1	V
<b>ANALOG INPUT - Single-Channel Pseudo-Differential Configuration</b>						
Full-scale input voltage span <sup>(1)</sup>	AINP/AIN0 to GND or AINM/AIN1 to GND		-AVDD/2		AVDD/2	V
Absolute Input voltage range	AINP/AIN0 to GND		-0.1		AVDD + 0.1	V
	AINM/AIN1 to GND		AVDD/2-0.1		AVDD/2+0.1	V
<b>Internal Oscillator</b>						
t <sub>H</sub> SO	Time Period for High Speed Oscillator			50	110	ns
t <sub>L</sub> PO	Time Period for Low Power Oscillator			95.2	300	µs
<b>Digital Input/Output (SCL, SDA)</b>						
V <sub>IH</sub>	High Level input Voltage		0.7 × DVDD		DVDD	V
V <sub>IL</sub>	Low Level input Voltage		0	0.3 × DVDD		V
V <sub>OL</sub>	Low Level output Voltage	With 3 mA Sink Current and DVDD > 2 V	0	0.4		V
		With 3 mA Sink Current and 1.65 V < DVDD < 2 V	0	0.2 × DVDD		V
I <sub>OL</sub>	Low Level Output Current (Sink)	V <sub>OL</sub> = 0.4 V for Standard and Fast Mode (100, 400 kHz)	3			mA
		V <sub>OL</sub> = 0.6 V for Fast Mode (400 kHz)	6			
		V <sub>OL</sub> = 0.4 V Fast Mode Plus (1 MHz)	20			
I <sub>OL</sub>	Low Level Output Current (Sink)	V <sub>OL</sub> = 0.4 V High Speed (1.7 MHz, 3.4 MHz)	25			mA
I <sub>I</sub>	Input Current on Pin				10	µA
C <sub>I</sub>	Input Capacitance on Pin				10	pF
<b>Digital Output (BUSY/RDY)</b>						
V <sub>OH</sub>	High Level Output Voltage	I <sub>source</sub> = 2 mA	0.7 × DVDD		DVDD	V
V <sub>OL</sub>	High Level Output Voltage	I <sub>sink</sub> = 2 mA	0	0.3 × DVDD		V
<b>Digital Output (ALERT)</b>						
I <sub>OL</sub>	Low Level Output Current	V <sub>OL</sub> < 0.25 V		5		mA
V <sub>OL</sub>	Low Level Output Voltage	I <sub>sink</sub> = 5 mA	0		0.25	V
<b>POWER-SUPPLY REQUIREMENTS</b>						
AVDD	Analog Supply Voltage		1.65		3.6	V
DVDD	Digital I/O Supply Voltage		1.65		3.6	V

(1) Ideal Input span, does not include gain or offset error.

## 6.6 Electrical Characteristics - Manual Mode

At TA = -40°C to 125°C, AVDD = 3V, DVDD = 1.65 to 3.6V, All Channel Configurations, unless otherwise noted.

PARAMETER		TEST CONDITIONS	MIN	TYP	MAX	UNIT
<b>Sampling Dynamics</b>						
t <sub>conv</sub>	Conversion Time	AVDD = 1.65 to 3.6V			1.8	μs
t <sub>acq</sub>	Acquisition Time	AVDD = 1.65 to 3.6V		18		T <sub>SCL</sub>
t <sub>cycle</sub>	Cycle Time	AVDD = 1.65 to 3.6V		(t <sub>conv</sub> + t <sub>acq</sub> )		μs
<b>DC Specifications</b>						
	Resolution			12		Bits
NMC	No Missing Codes	AVDD = 1.65 to 3.6V	12			Bits
DNL	Differential nonlinearity	AVDD = 1.65 to 3.6V	-0.99	±0.3	1	LSB <sup>(1)</sup>
INL	Integral nonlinearity		-2.75	±0.5	2.75	LSB
E <sub>O</sub>	Offset Error	Post Offset Calibration	-2.9	±0.5	2.9	LSB
dV <sub>OS</sub> /dT	Offset Drift with Temperature	Post Offset Calibration		5		ppm/°C
E <sub>G</sub>	Gain Error		-0.1	±0.03	0.1	%FSR
	Gain Error Drift with Temperature			5		ppm/°C
<b>AC Specifications</b>						
SNR <sup>(2)</sup>	Signal-to-Noise Ratio	f <sub>in</sub> = 2 kHz, AVDD = 3 V, f <sub>sample</sub> = 140 kSPS	68.75	71.4		dB
		f <sub>in</sub> = 2 kHz, AVDD = 1.8 V, f <sub>sample</sub> = 140 kSPS		69.2		dB
THD <sup>(2) (3)</sup>	Total Harmonic Distortion	f <sub>in</sub> = 2 kHz, AVDD = 3 V, f <sub>sample</sub> = 140 kSPS		-87.0		dB
		f <sub>in</sub> = 2 kHz, AVDD = 1.8 V, f <sub>sample</sub> = 140 kSPS		-84.0		dB
SINAD <sup>(2)</sup>	Signal-to-Noise and distortion	f <sub>in</sub> = 2 kHz, AVDD = 3 V, f <sub>sample</sub> = 140 kSPS	68.5	71.2		dB
		f <sub>in</sub> = 2 kHz, AVDD = 1.8 V, f <sub>sample</sub> = 140 kSPS		69.0		dB
SFDR <sup>(2)</sup>	Spurious Free dynamic range	f <sub>in</sub> = 2 kHz, AVDD = 3 V, f <sub>sample</sub> = 140 kSPS		91.0		dB
BW	-3dB Small Signal Bandwidth			25.0		MHz
<b>Power Consumption</b>						
I <sub>AVDD</sub>	Analog Supply Current	f <sub>sample</sub> = 140 kSPS, SCL = 3.4 MHz		265	300	μA
		f <sub>sample</sub> = 5.5 kSPS, SCL = 100 kHz		8		μA
		f <sub>sample</sub> = 140 kSPS, SCL = 3.4 MHz, AVDD = 1.8 V		160		μA
		f <sub>sample</sub> = 5.5 kSPS, SCL = 100 kHz, AVDD = 1.8 V		5		μA
I <sub>DVDD</sub>	Digital Supply Current	f <sub>sample</sub> = 140 kSPS, SCL = 3.4 MHz, SDA = AAA0h		25		μA
		f <sub>sample</sub> = 5.5 kSPS, SCL = 100 kHz, AVDD = 1.8 V, SDA = AAA0h		1.5		μA
I <sub>AVDD</sub>	Static Analog Supply Current	No Activity on SCL and SDA, BUSY/RDY Low		6		nA
I <sub>DVDD</sub>	Static Analog Supply Current	No Activity on SCL and SDA, BUSY/RDY Low		2		nA

(1) LSB means least significant byte. Refer to ADC Transfer Function for details.

(2) All specifications expressed in decibels (dB) refer to the full-scale input (FSR) and are tested with an input signal 0.5 dB below full-scale, unless otherwise specified.

(3) Calculated on the first nine harmonics of the input frequency.

## 6.7 Electrical Characteristics - Autonomous Modes

At  $T_A = -40^\circ\text{C}$  to  $125^\circ\text{C}$ ,  $AVDD = 3\text{V}$ ,  $DVDD = 1.65$  to  $3.6\text{V}$ , All Channel Configurations, unless otherwise noted.

PARAMETER		TEST CONDITIONS	MIN	TYP	MAX	UNIT
<b>Sampling Dynamics</b>						
$t_{\text{conv}}$	Conversion Time	High Speed Oscillator		14		$t_{\text{HSO}}$
		Low Power Oscillator		14		$t_{\text{LPO}}$
$t_{\text{acq}}$	Acquisition Time	High Speed Oscillator	7			$t_{\text{HSO}}$
		Low Power Oscillator	4			$t_{\text{LPO}}$
$t_{\text{cycle}}$	Cycle Time	High Speed Oscillator		nCLK		$t_{\text{HSO}}$
		Low Power Oscillator		nCLK		$t_{\text{LPO}}$
<b>DC Specifications</b>						
	Resolution			12		Bits
$E_O$	Offset Error	Post Offset Calibration		$\pm 0.5$		LSB
$E_G$	Gain Error			$\pm 0.03$		%FSR
<b>Power Consumption</b>						
$I_{\text{AVDD}}$	Analog Supply Current	With Low Power Oscillator, nCLK = 18		0.75		$\mu\text{A}$
		With Low Power Oscillator, AVDD = 1.8 V, nCLK = 18		0.45		$\mu\text{A}$
		With Low Power Oscillator, nCLK = 250		0.5		$\mu\text{A}$
		With High Speed Oscillator, nCLK = 21		940		$\mu\text{A}$
$I_{\text{DVDD}}$	Digital Supply Current	With Low Power Oscillator, nCLK = 18, DVDD = 3.3 V		0.15		$\mu\text{A}$
$I_{\text{AVDD}}$	Static Analog Supply Current	No Activity on SCL and SDA, $\overline{\text{BUSY}}/\overline{\text{RDY}}$ Low		5		nA
$I_{\text{DVDD}}$	Static Analog Supply Current	No Activity on SCL and SDA, $\overline{\text{BUSY}}/\overline{\text{RDY}}$ Low		0.6		nA

## 6.8 Electrical Characteristics - High Precision Mode

At  $T_A = -40^\circ\text{C}$  to  $125^\circ\text{C}$ ,  $AVDD = 3\text{V}$ ,  $DVDD = 1.65$  to  $3.6\text{V}$ , All Channel Configurations, unless otherwise noted<sup>(1)</sup>.

PARAMETER		TEST CONDITIONS	MIN	TYP	MAX	UNIT
<b>DC Specifications</b>						
	Resolution <sup>(2)</sup>			16		Bits
$\text{ENOB}$	Effective number of bits	With DC Input of $AVDD/2$ <sup>(3)</sup>		15.4		
$E_O$	Offset Error	Post Offset Calibration		$\pm 10$		LSB
$E_G$	Gain Error			$\pm 0.03$		%FSR
<b>Power Consumption</b>						
$I_{\text{AVDD}}$	Analog Supply Current	With Low Power Oscillator, nCLK = 18		0.6		$\mu\text{A}$
		With Low Power Oscillator, AVDD = 1.8 V, nCLK = 18		0.3		$\mu\text{A}$
		With Low Power Oscillator, nCLK = 250		0.5		$\mu\text{A}$
		With High Speed Oscillator, nCLK = 21		980		$\mu\text{A}$
$I_{\text{DVDD}}$	Digital Supply Current	With Low Power Oscillator, nCLK = 21, DVDD = 3.3 V		0.2		$\mu\text{A}$
$I_{\text{AVDD}}$	Static Analog Supply Current	No Activity on SCL and SDA, $\overline{\text{BUSY}}/\overline{\text{RDY}}$ Low		5		nA
$I_{\text{DVDD}}$	Static Analog Supply Current	No Activity on SCL and SDA, $\overline{\text{BUSY}}/\overline{\text{RDY}}$ Low		0.7		nA

(1) Sampling Dynamics for High Precision Mode are same as for Autonomous modes.

(2) Refer to [公式 5](#)

(3) For DC Input,  $\text{ENOB} = \text{Ln}[\text{FSR}/\text{Standard deviation of Codes}]/\text{Ln}[2]$ . Refer to [图 34](#)

## 6.9 Timing Requirements

At  $T_A = -40^\circ\text{C}$  to  $125^\circ\text{C}$ ,  $AVDD = 3\text{V}$ ,  $DVDD = 1.65$  to  $3.6\text{V}$ , All Channel Configurations, unless otherwise noted.<sup>(1)</sup>

PARAMETER		Test Conditions	MIN	MAX	UNIT
<b>Standard-mode (100 kHz) 图 1</b>					
$f_{\text{SCL}}$	SCL clock frequency		0	100	kHz
$t_{\text{HD-STA}}$	Hold time (repeated) START condition	After this period, the first clock pulse generated.	4		$\mu\text{s}$
$t_{\text{LOW}}$	Low period of SCL		4.7		$\mu\text{s}$
$t_{\text{HIGH}}$	High period of SCL		4		$\mu\text{s}$
$t_{\text{SU-STA}}$	set-up time for a repeated start condition		4.7		$\mu\text{s}$
$t_{\text{HD-DAT}}^{(2) (3)}$	data hold time	For I <sup>2</sup> C Bus devices	0		$\mu\text{s}$
$t_{\text{SU-DAT}}$	data setup time		250		ns
$t_{\text{SU-STO}}$	setup-up time for STOP condition		4		$\mu\text{s}$
$t_{\text{BUF}}$	bus free time between a STOP and START condition		4.7		$\mu\text{s}$
$C_b$	capacitive load on each line			400	pF
<b>Fast-mode (400 kHz) 图 1</b>					
$f_{\text{SCL}}$	SCL clock frequency		0	400	kHz
$t_{\text{HD-STA}}$	Hold time (repeated) START condition		0.6		$\mu\text{s}$
$t_{\text{LOW}}$	Low period of SCL		1.3		$\mu\text{s}$
$t_{\text{HIGH}}$	High period of SCL		0.6		$\mu\text{s}$
$t_{\text{SU-STA}}$	set-up time for a repeated start condition		0.6		$\mu\text{s}$
$t_{\text{HD-DAT}}$	data hold time		0		$\mu\text{s}$
$t_{\text{SU-DAT}}$	data setup time		100		ns
$t_{\text{SU-STO}}$	setup-up time for STOP condition		0.6		$\mu\text{s}$
$t_{\text{BUF}}$	bus free time between a STOP and START condition		1.3		$\mu\text{s}$
$C_b$	capacitive load on each line			400	pF
<b>Fast-mode Plus (1000 kHz) 图 1</b>					
$f_{\text{SCL}}$	SCL clock frequency		0	1000	kHz
$t_{\text{HD-STA}}$	Hold time (repeated) START condition		0.26		$\mu\text{s}$
$t_{\text{LOW}}$	Low period of SCL		0.5		$\mu\text{s}$
$t_{\text{HIGH}}$	High period of SCL		0.26		$\mu\text{s}$
$t_{\text{SU-STA}}$	set-up time for a repeated start condition		0.26		$\mu\text{s}$
$t_{\text{HD-DAT}}$	data hold time		0		$\mu\text{s}$
$t_{\text{SU-DAT}}$	data setup time		50		ns
$t_{\text{SU-STO}}$	setup-up time for STOP condition		0.26		$\mu\text{s}$
$t_{\text{BUF}}$	bus free time between a STOP and START condition		0.5		$\mu\text{s}$
$C_b$	capacitive load on each line			550	pF
<b>High Speed mode (1.7 MHz) <math>C_b = 400</math> pF (Max) 图 2</b>					
$f_{\text{SCLH}}$	SCLH clock frequency		0	1.7	MHz
$t_{\text{HD-STA}}$	Hold time (repeated) START condition		160		ns
$t_{\text{LOW}}$	Low period of SCL		320		ns
$t_{\text{HIGH}}$	High period of SCL		120		ns
$t_{\text{SU-STA}}$	set-up time for a repeated start condition		160		ns
$t_{\text{HD-DAT}}$	data hold time		0	150	ns

(1) All values referred to  $V_{\text{IH}(\text{min})}$  (0.7 DVDD) and  $V_{\text{IL}(\text{max})}$  (0.3 DVDD)

(2)  $t_{\text{HD-DAT}}$  is the data hold time that is measured from the falling edge of SCL, applies to data in transmission and the acknowledge.

(3) The maximum  $t_{\text{HD-DAT}}$  could be  $3.45 \mu\text{s}$  and  $0.9 \mu\text{s}$  for Standard-mode and Fast-mode, but must be less than the maximum of  $t_{\text{VD-DAT}}$  or  $t_{\text{VD-ACK}}$  by a transition time. This maximum must only be met if the device does not stretch the LOW period ( $t_{\text{LOW}}$ ) of the SCL signal. If the clock is stretched, the data must be valid by the set-up time before it releases.

## Timing Requirements (continued)

At  $T_A = -40^{\circ}\text{C}$  to  $125^{\circ}\text{C}$ ,  $\text{AVDD} = 3\text{V}$ ,  $\text{DVDD} = 1.65$  to  $3.6\text{V}$ , All Channel Configurations, unless otherwise noted.<sup>(1)</sup>

PARAMETER	Test Conditions	MIN	MAX	UNIT
$t_{\text{SU-DAT}}$	data setup time	10		ns
$t_{\text{SU-STO}}$	setup-up time for STOP condition	160		ns
$C_b$	capacitive load on each line		400	pF
<b>High Speed mode (3.4 MHz) <math>C_b = 100</math> pF (Max) 图 2</b>				
$f_{\text{SCLH}}$	SCLH clock frequency	0	3.4	MHz
$t_{\text{HD-STA}}$	Hold time (repeated) START condition	160		ns
$t_{\text{LOW}}$	Low period of SCL	160		ns
$t_{\text{HIGH}}$	High period of SCL	60		ns
$t_{\text{SU-STA}}$	set-up time for a repeated start condition	160		ns
$t_{\text{HD-DAT}}$	data hold time	0	70	ns
$t_{\text{SU-DAT}}$	data setup time	10		ns
$t_{\text{SU-STO}}$	setup-up time for STOP condition	160		ns
$C_b$	capacitive load on each line		100	pF

## 6.10 Switching Characteristics

At  $T_A = -40^{\circ}\text{C}$  to  $125^{\circ}\text{C}$ ,  $\text{AVDD} = 3\text{V}$ ,  $\text{DVDD} = 1.65$  to  $3.6\text{V}$ , All Channel Configurations, unless otherwise noted.<sup>(1)</sup>

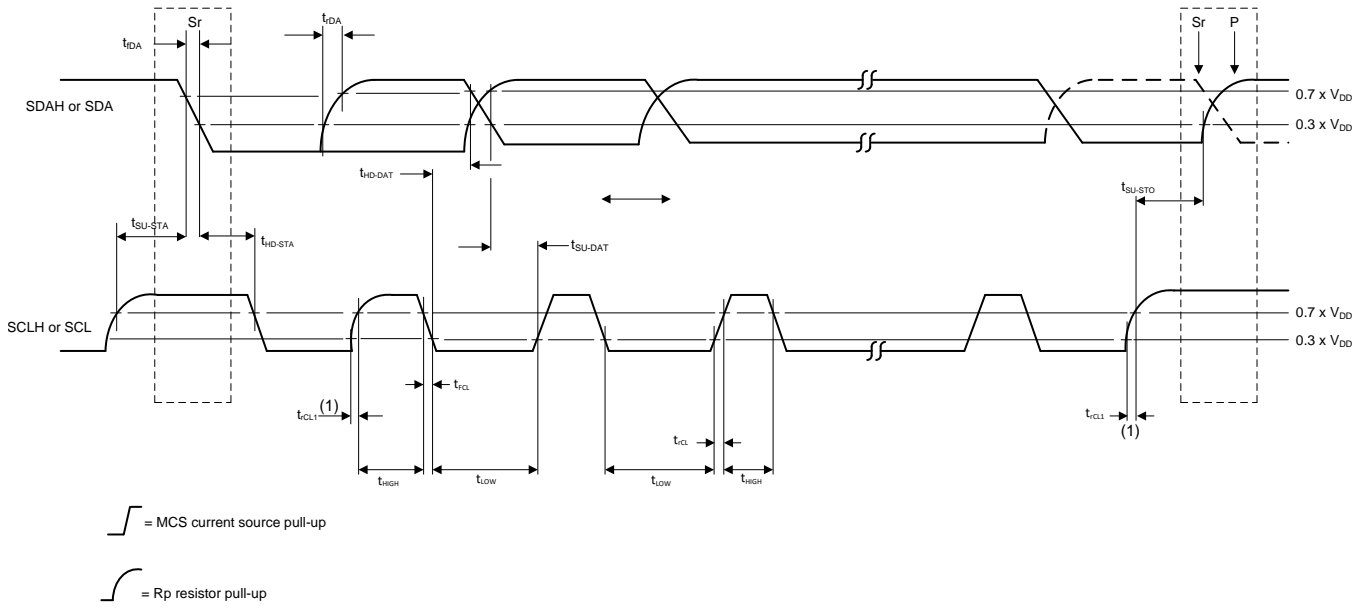
PARAMETER	Test Conditions	MIN	MAX	UNIT
<b>Standard-mode (100 kHz) 图 1</b>				
$t_{\text{rCL}}$	Rise time of SCL		1000	ns
$t_{\text{rDA}}$	Rise time of SDA		1000	ns
$t_{\text{fCL}}$	Fall time of SCL		300	ns
$t_{\text{fDA}}$	Fall time of SDA		300	ns
$t_{\text{VD-DAT}}^{(2)}$	data valid time		3.45	$\mu\text{s}$
$t_{\text{VD-ACK}}^{(2)}$	data hold time		3.45	$\mu\text{s}$
<b>Fast-mode (400 kHz) 图 1</b>				
$t_{\text{rCL}}$	Rise time of SCL	20	300	ns
$t_{\text{rDA}}$	Rise time of SDA	20	300	ns
$t_{\text{fCL}}$	Fall time of SCL	$20 \times \text{DVDD}/3.6$	300	ns
$t_{\text{fDA}}$	Fall time of SDA	$20 \times \text{DVDD}/3.6$	300	ns
$t_{\text{VD-DAT}}$	data valid time		0.9	$\mu\text{s}$
$t_{\text{VD-ACK}}$	data hold time		0.9	$\mu\text{s}$
$t_{\text{SP}}^{(3)}$	pulse width of spikes suppressed by the input filter	0	50	ns
<b>Fast-mode Plus (1000 kHz) 图 1</b>				
$t_{\text{rCL}}$	Rise time of SCL		120	ns
$t_{\text{rDA}}$	Rise time of SDA		120	ns
$t_{\text{fCL}}$	Fall time of SCL	$20 \times \text{DVDD}/3.6$	120	ns
$t_{\text{fDA}}$	Fall time of SDA	$20 \times \text{DVDD}/3.6$	120	ns
$t_{\text{VD-DAT}}$	data valid time		0.45	$\mu\text{s}$
$t_{\text{VD-ACK}}$	data hold time		0.45	$\mu\text{s}$
$t_{\text{SP}}$	pulse width of spikes suppressed by the input filter	0	50	ns
<b>High Speed mode (1.7 MHz) <math>C_b = 400</math> pF (Max) 图 2</b>				
$t_{\text{rCL}}$	Rise time of SCLH	20	80	ns

(1) All values referred to  $V_{\text{IH}(\text{min})}$  ( 0.7 DVDD ) and  $V_{\text{IL}(\text{max})}$  ( 0.3 DVDD )

(2)  $t_{\text{VD-DAT}}$  = time for data signal from SCL LOW to SDA output.

(3) Input filters on the SDA and SCL inputs suppress noise spikes of less than 50 ns.



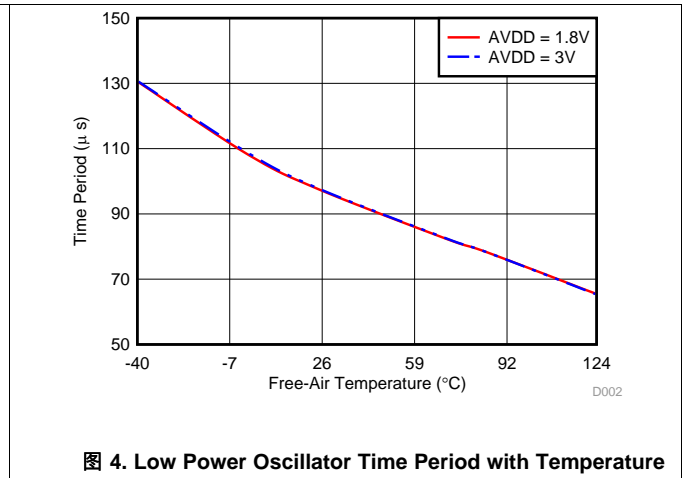
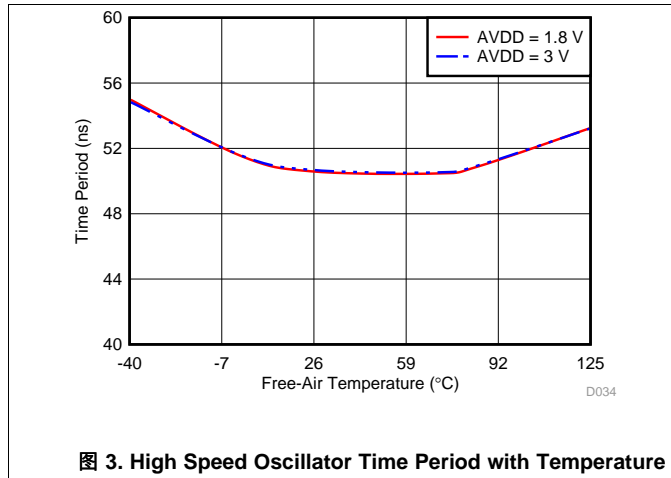


(1) First rising edge of the SCLH signal after  $S_r$  and after each acknowledge bit.

图 2. Timing Diagram for High Speed Mode

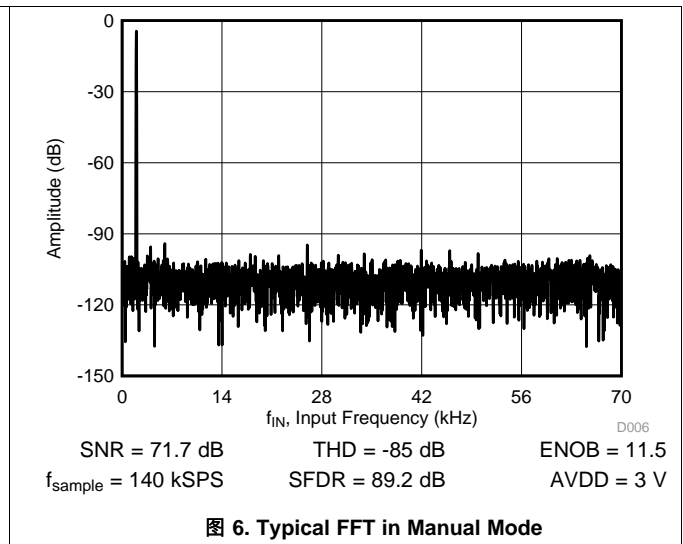
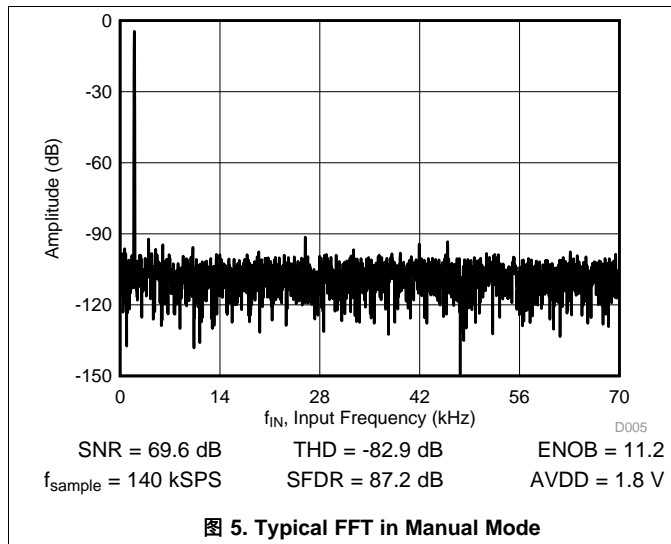
### 6.11 Typical Characteristics for All Modes

At  $T_A = 25^\circ\text{C}$ ,  $AVDD = 3\text{ V}$ ,  $DVDD = 3.3\text{ V}$ , and Two-Channel, Single-Ended Configuration, unless otherwise noted.



### 6.12 Typical Characteristics for Manual Mode

At  $T_A = 25^\circ\text{C}$ ,  $AVDD = 3\text{ V}$ ,  $DVDD = 3.3\text{ V}$ , and Two-Channel, Single-Ended Configuration, unless otherwise noted.



Typical Characteristics for Manual Mode (接下页)

At  $T_A = 25^\circ\text{C}$ ,  $AVDD = 3\text{ V}$ ,  $DVDD = 3.3\text{ V}$ , and Two-Channel, Single-Ended Configuration, unless otherwise noted.

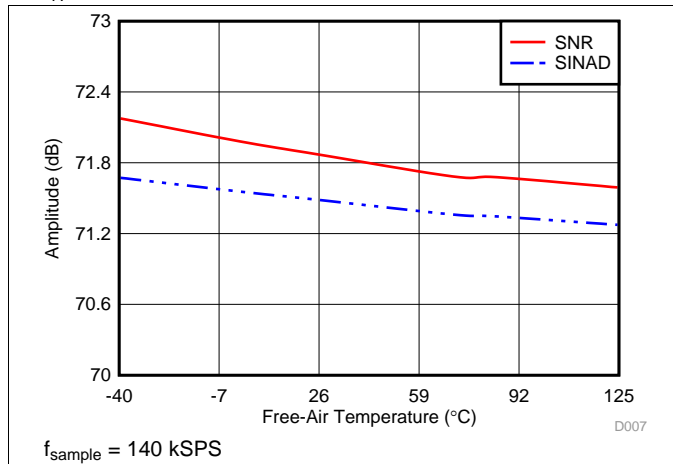


图 7. SNR and SINAD in Manual Mode with Temperature

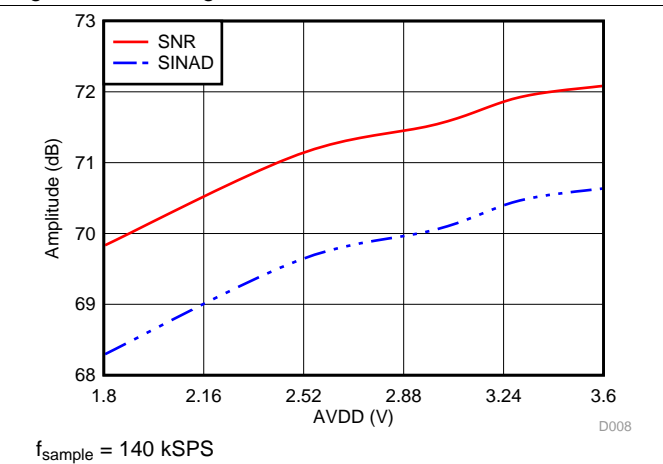


图 8. SNR and SINAD in Manual Mode with AVDD

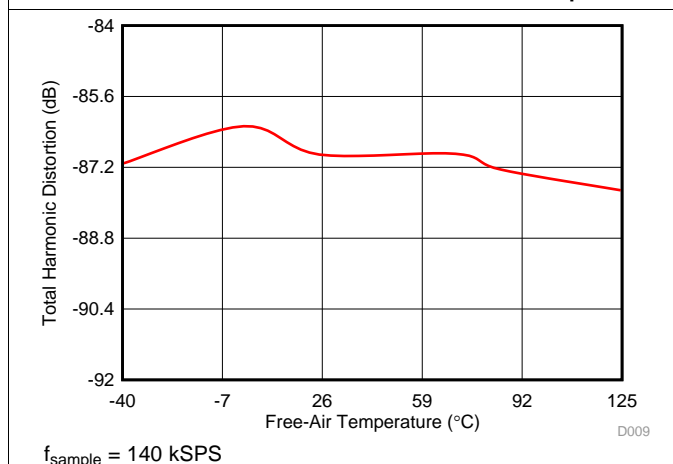


图 9. THD in Manual Mode with Temperature

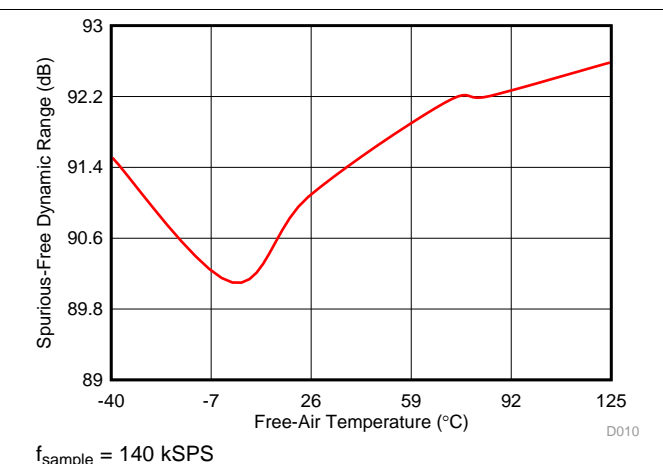


图 10. SFDR in Manual Mode with Temperature

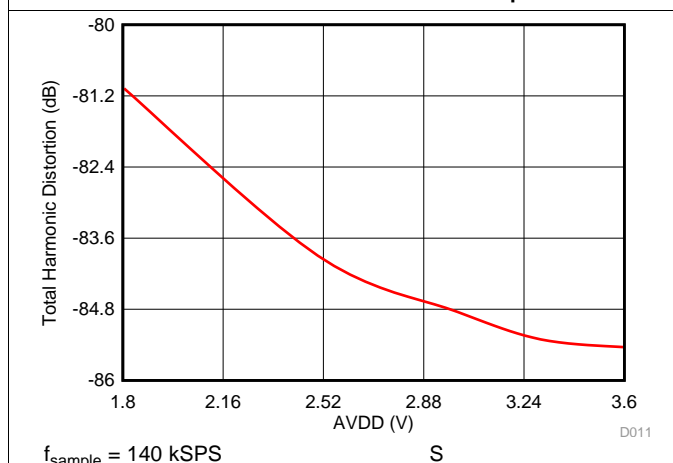


图 11. THD in Manual Mode with AVDD

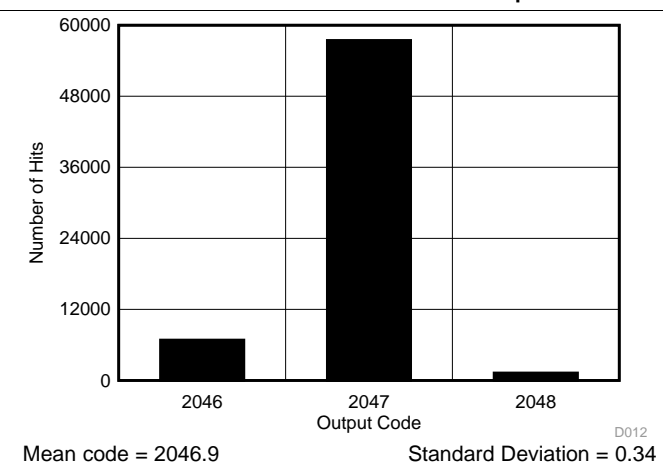
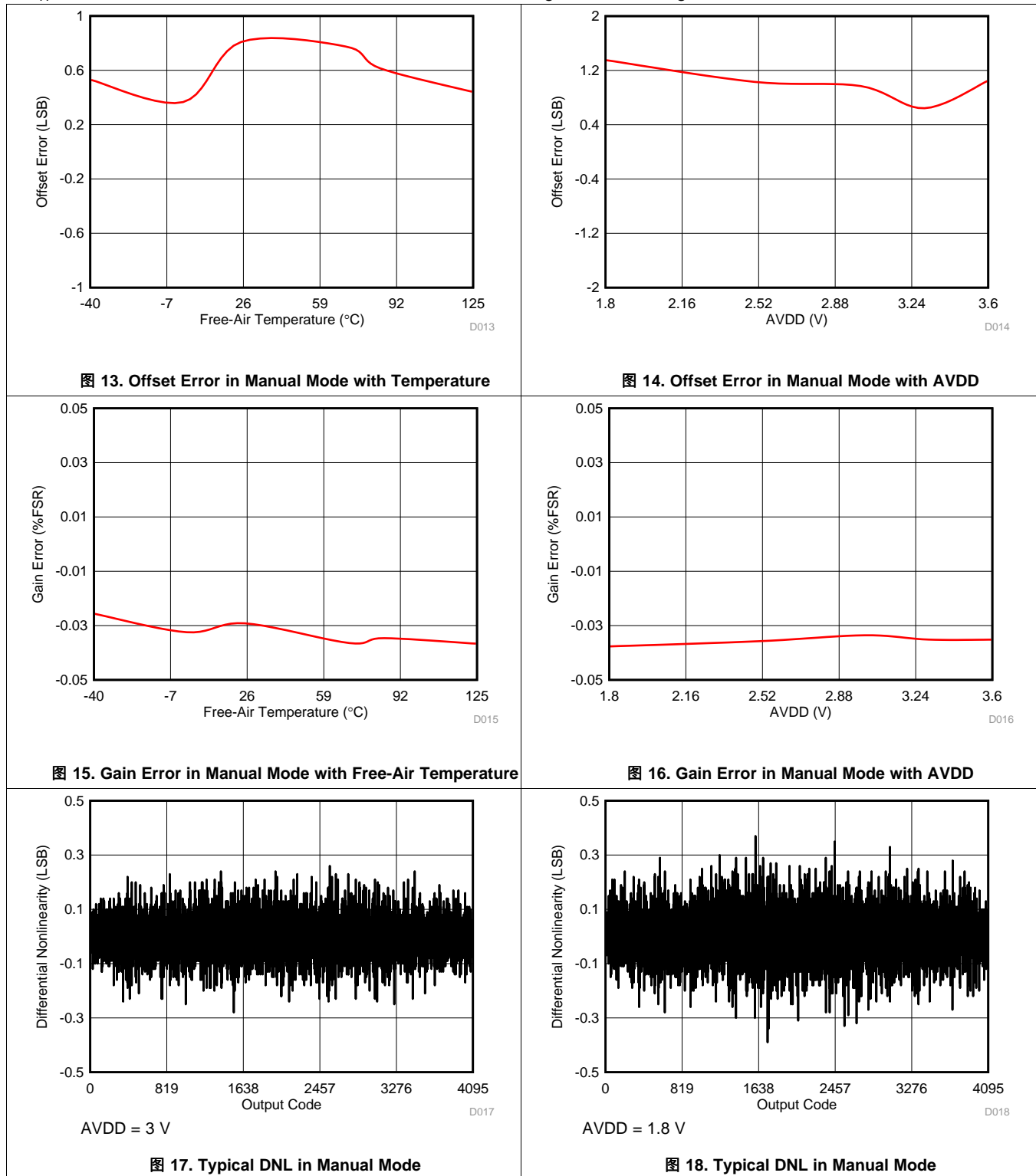


图 12. Typical DC Code Spread in Manual Mode

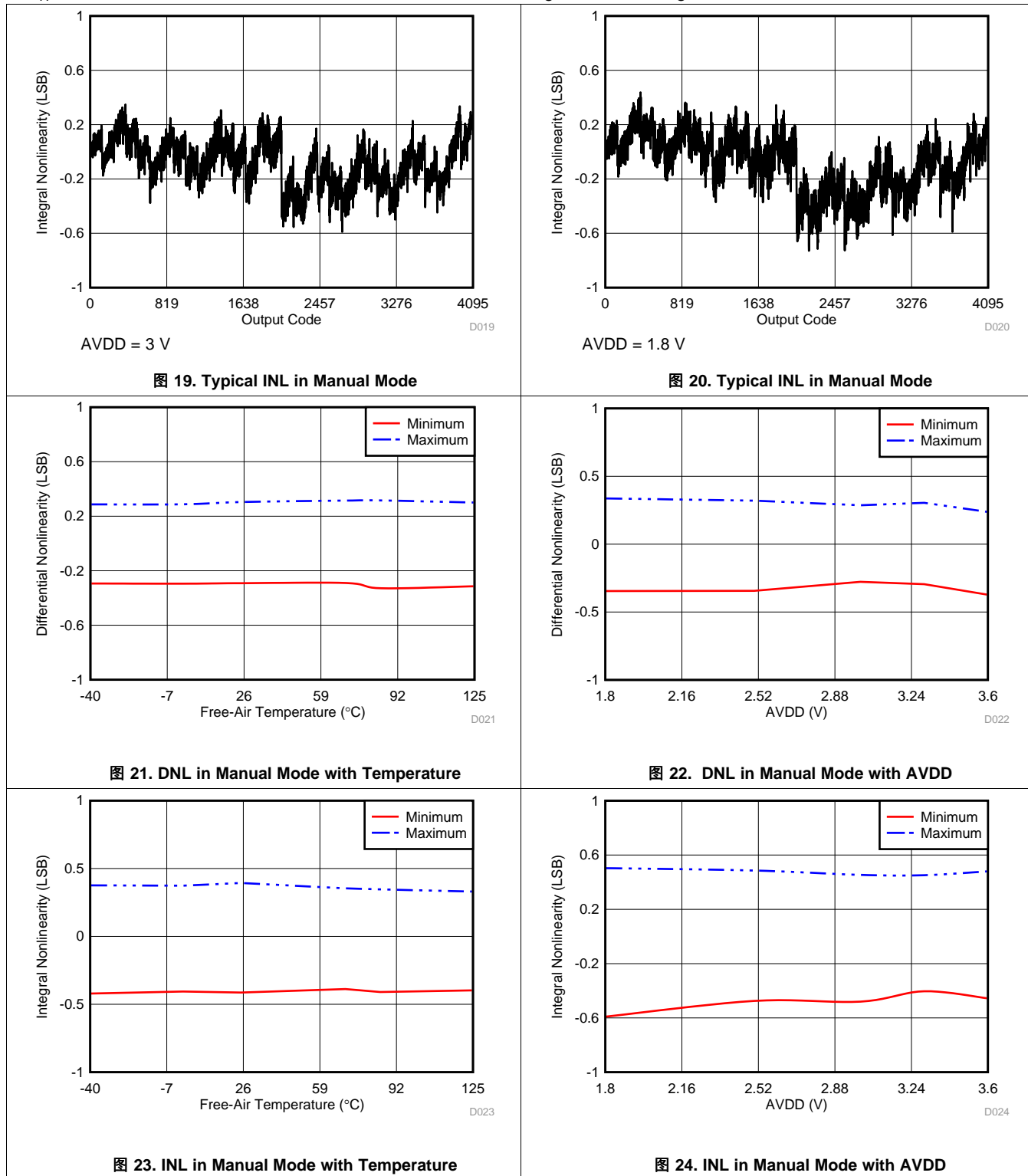
Typical Characteristics for Manual Mode (接下页)

At  $T_A = 25^\circ\text{C}$ ,  $AVDD = 3\text{ V}$ ,  $DVDD = 3.3\text{ V}$ , and Two-Channel, Single-Ended Configuration, unless otherwise noted.



Typical Characteristics for Manual Mode (接下页)

At  $T_A = 25^\circ\text{C}$ ,  $AVDD = 3\text{ V}$ ,  $DVDD = 3.3\text{ V}$ , and Two-Channel, Single-Ended Configuration, unless otherwise noted.



Typical Characteristics for Manual Mode (接下页)

At  $T_A = 25^\circ\text{C}$ ,  $AVDD = 3\text{ V}$ ,  $DVDD = 3.3\text{ V}$ , and Two-Channel, Single-Ended Configuration, unless otherwise noted.

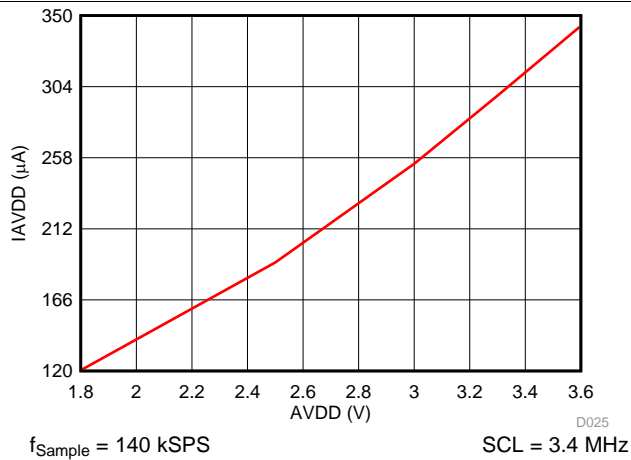


图 25.  $I_{AVDD}$  in Manual Mode with AVDD

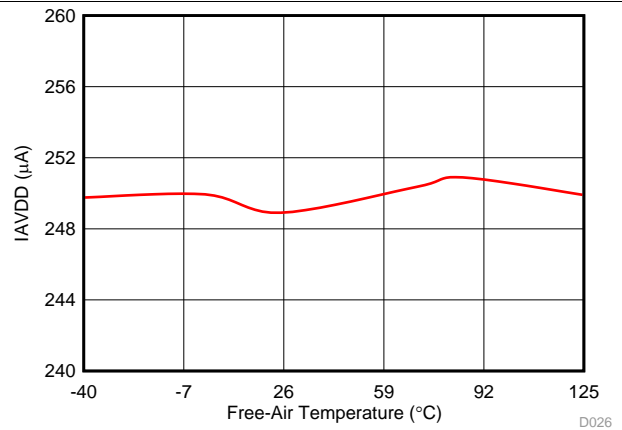


图 26.  $I_{AVDD}$  in Manual Mode with Temperature

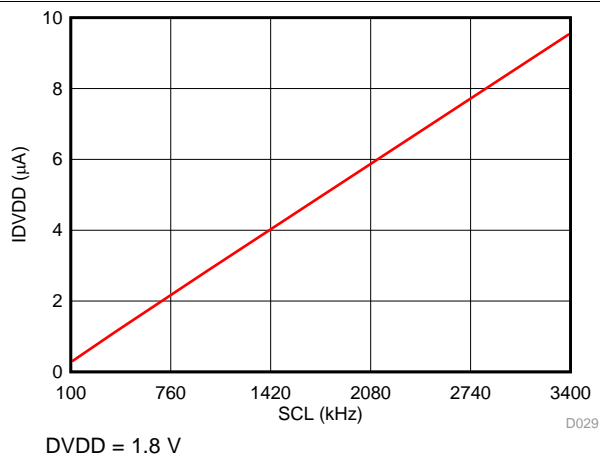


图 27.  $I_{DVDD}$  in Manual Mode with SCL

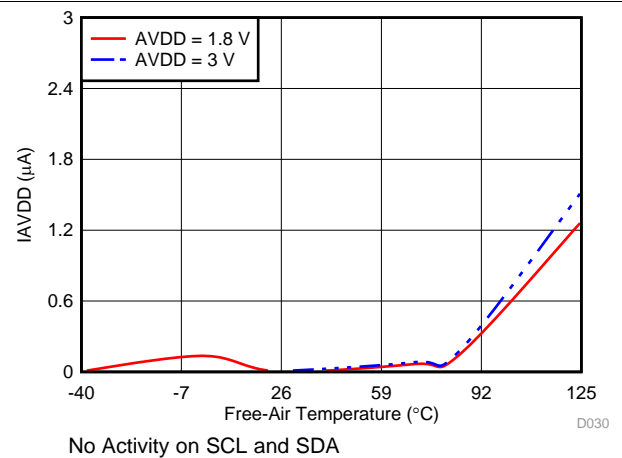


图 28. Static  $I_{AVDD}$  in Manual Mode with Temperature

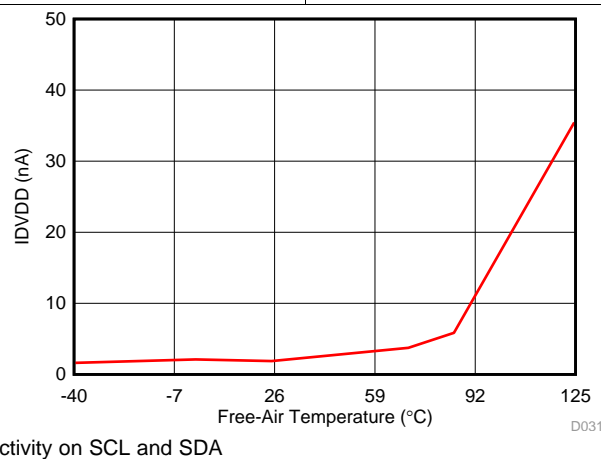
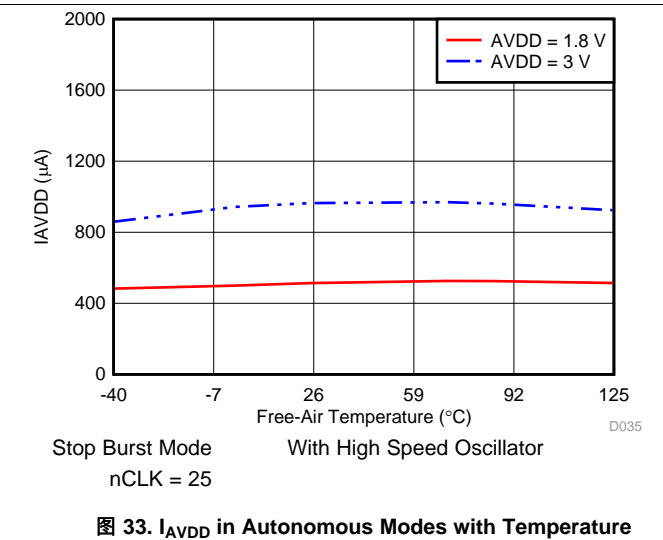
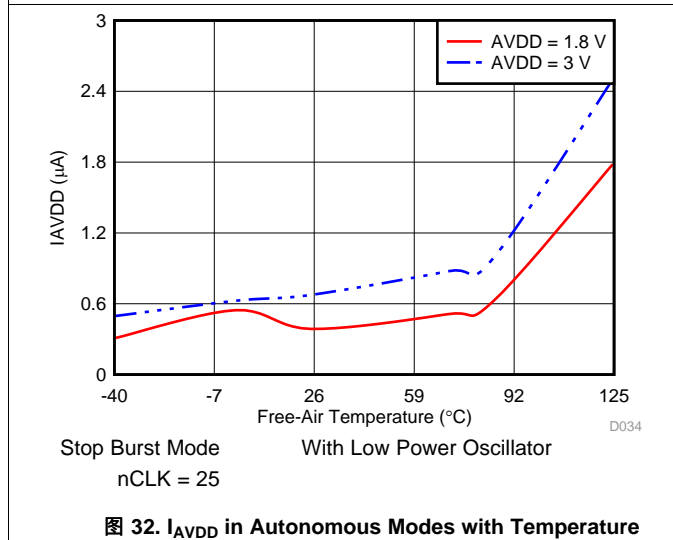
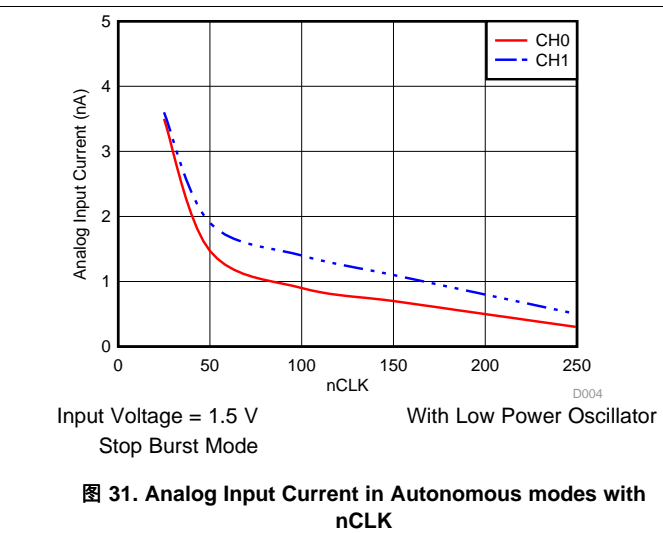
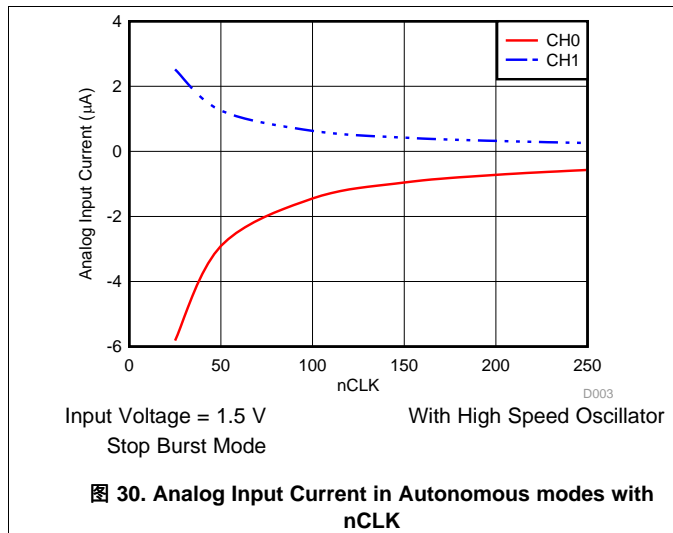


图 29. Static  $I_{DVDD}$  in Manual Mode with Temperature

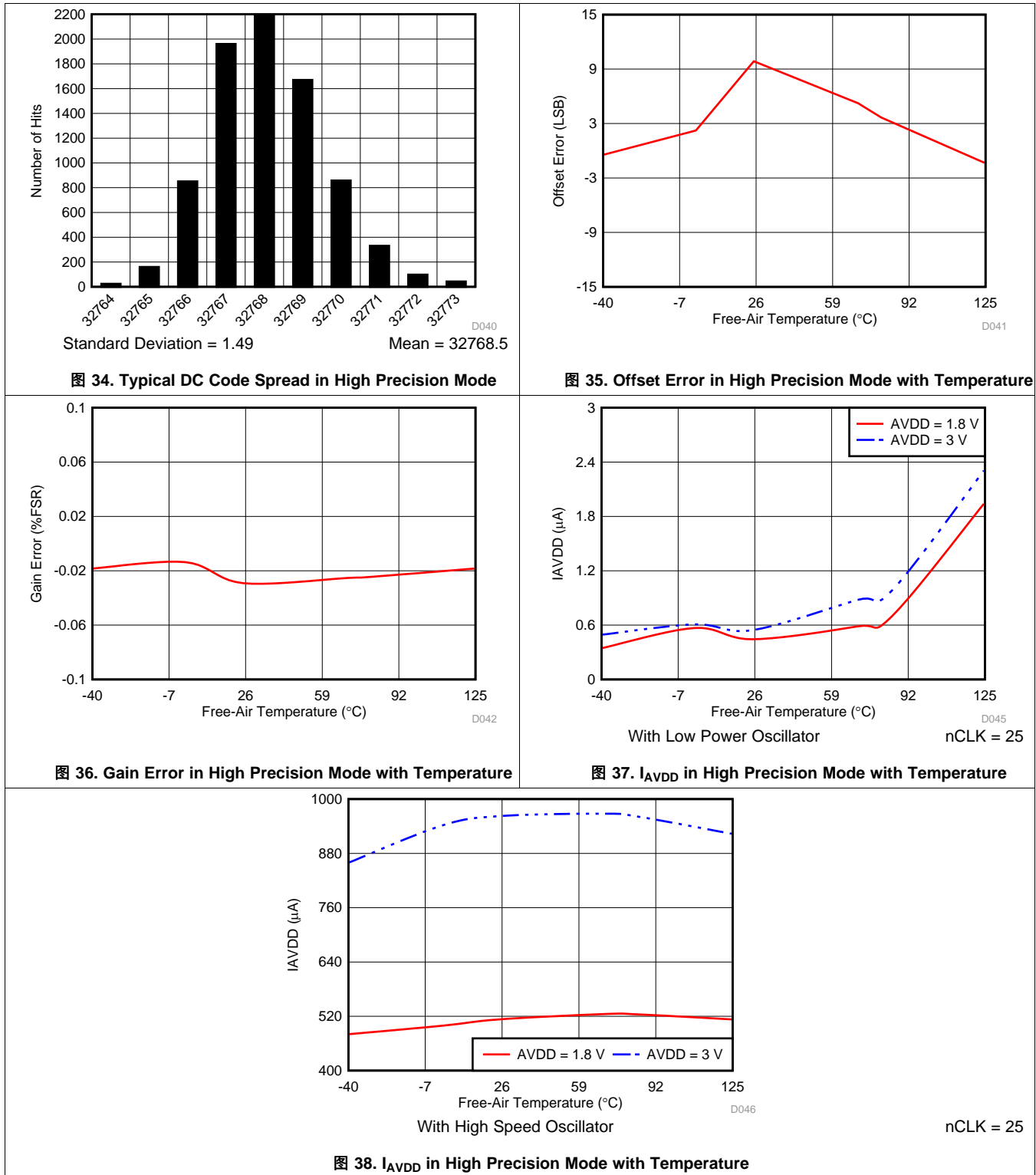
### 6.13 Typical Characteristics for Autonomous Modes

At  $T_A = 25^\circ\text{C}$ ,  $AVDD = 3\text{ V}$ ,  $DVDD = 3.3\text{ V}$ , and Two-Channel, Single-Ended Configuration, unless otherwise noted.



### 6.14 Typical Characteristics for High Precision Mode

At  $T_A = 25^\circ\text{C}$ ,  $AVDD = 3\text{ V}$ ,  $DVDD = 3.3\text{ V}$ , and Two-Channel, Single-Ended Configuration, unless otherwise noted.



## 7 Detailed Description

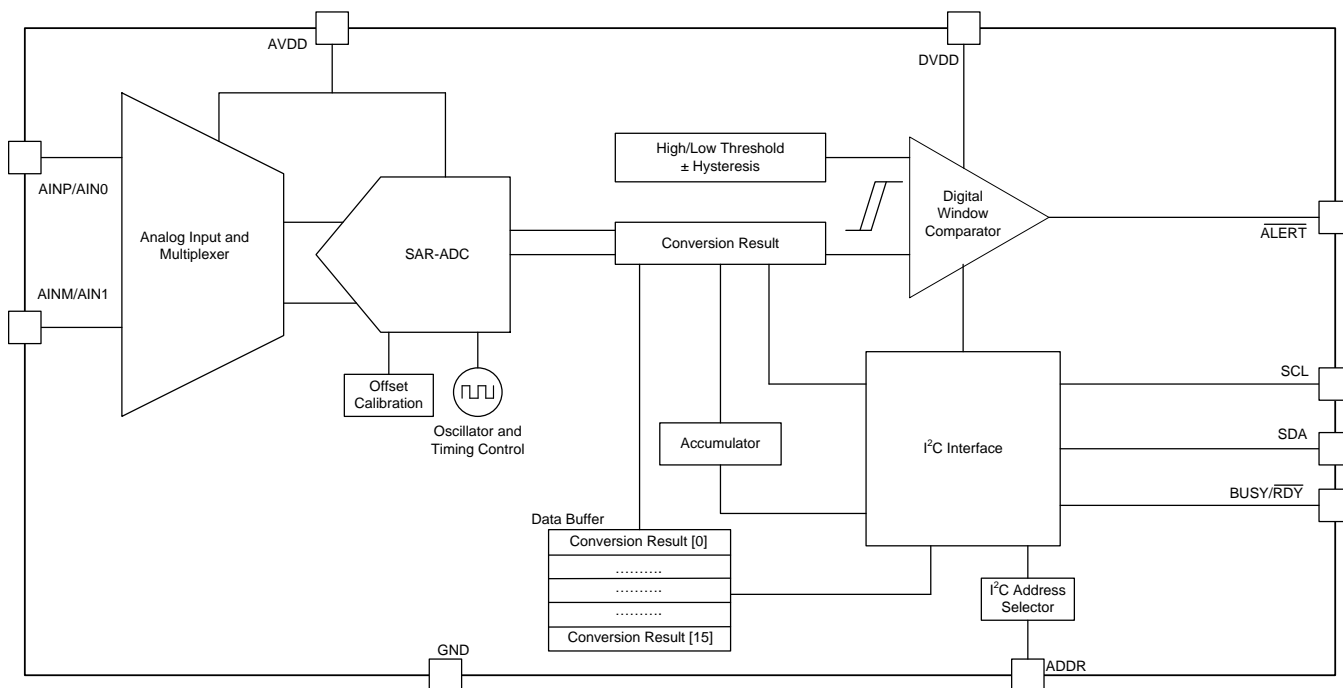
### 7.1 Overview

The ADS7142 is a nanopower, dual-channel, programmable sensor monitor with an integrated analog-to-digital converter (ADC), input multiplexer, digital comparator, data buffer, accumulator and internal oscillator. The *input multiplexer* can be either configured as two single-ended channels, one single-ended channel with remote ground sensing or one pseudo-differential channel where input can swing around AVDD/2. The device includes a *Digital Window Comparator* with a dedicated output pin, which can be used to alert the host when a programmed high or low threshold is crossed. The device address is configured by *I<sup>2</sup>C Address Selector* block. The device uses *internal oscillators* (High Speed or Low Power) for conversion. The start of conversion is controlled by the host in *Manual Mode* and by the device in *Autonomous Modes*.

The device also features a *Data Buffer* and an *Accumulator*. The data buffer can store up to 16 conversion results of the ADC in *Autonomous Modes* and the accumulator can accumulate up to 16 conversion results of ADC in *High Precision Mode*.

The device includes *OFFSET Calibration* for calibration of its own offset.

### 7.2 Functional Block Diagram



### 7.3 Feature Description

#### 7.3.1 Analog Input and Multiplexer

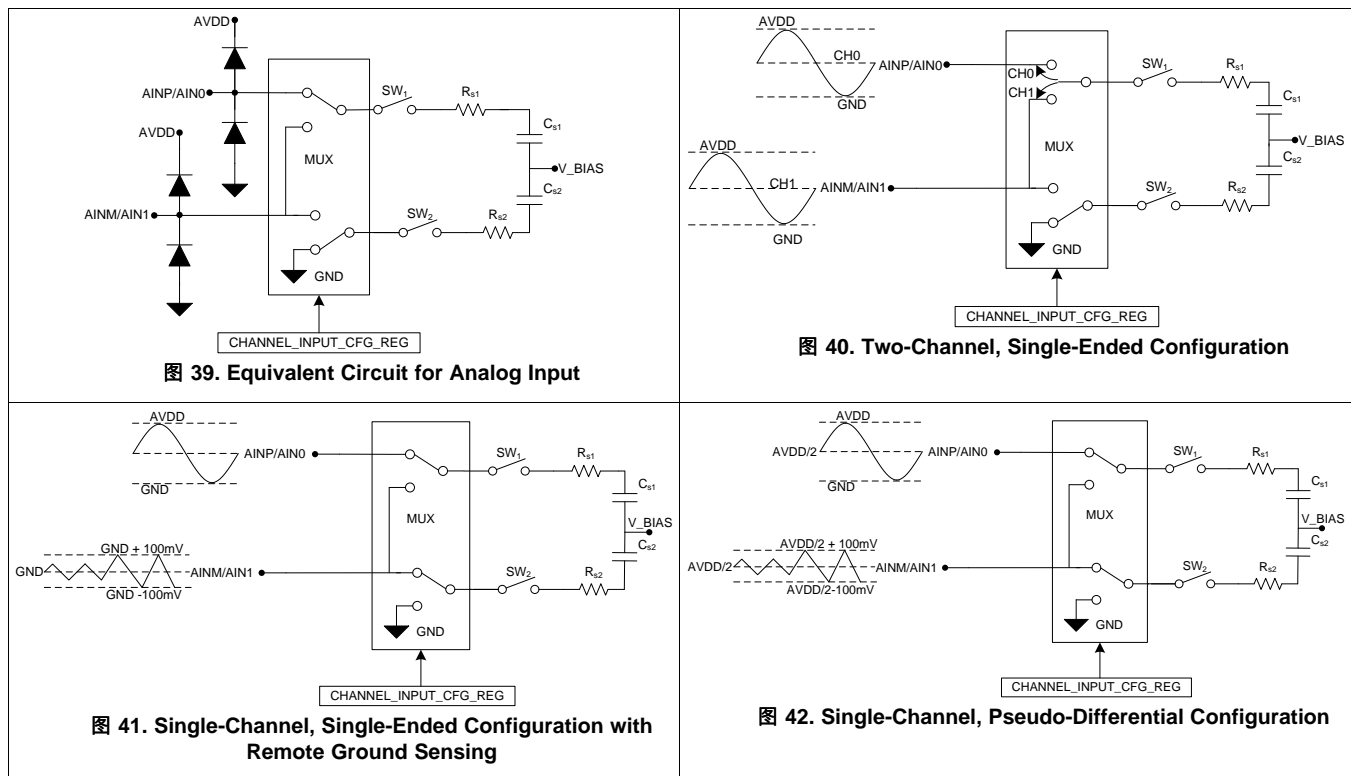
图 39 shows a small-signal equivalent circuit for the analog input pins. The device includes a two-channel analog multiplexer with each input pin having ESD protection diodes to AVDD and GND. The sampling switches are represented by ideal switches SW<sub>1</sub> and SW<sub>2</sub> in series with resistors R<sub>s1</sub> and R<sub>s2</sub> (typically 150 Ω). The sampling capacitors, C<sub>s1</sub> and C<sub>s2</sub>, are typically 15 pF. The multiplexer configuration is set by the CHANNEL\_INPUT\_CFG register.

During acquisition, switches SW<sub>1</sub> and SW<sub>2</sub> are closed to allow the input signal to charge the internal sampling capacitors.

During conversion, switches SW<sub>1</sub> and SW<sub>2</sub> are opened to disconnect the input signal from the sampling capacitors.

The analog input of the device are optimized to be driven by high impedance source (up-to 100 kΩ) in Autonomous Modes or in High Precision Mode mode with low power oscillator. It is recommended to drive the analog input of the device with an external amplifier when in Autonomous Modes or in High Precision Mode mode with High Speed oscillator. 图 30 and 图 31 provide the analog input current for CH0 and CH1 of the device.

图 40, 图 41 and 图 42 provide a simplified circuit for analog input for input configurations described in Two-Channel, Single-Ended Configuration, Single-Channel, Single-Ended Configuration and Single-Channel, Pseudo-Differential Configuration respectively. The analog multiplexer supports following input configurations (set by writing into CHANNEL\_INPUT\_CFG register).



##### 7.3.1.1 Two-Channel, Single-Ended Configuration

Refer to 图 40 for a simplified block diagram showing a two-channel, single ended configuration. Set CH0\_CH1\_IP\_CFG bits = 00b or 11b to select this configuration. This is also the default configuration of the device after power up. In this configuration, C<sub>s2</sub> always samples the GND pin and C<sub>s1</sub> samples the input signal provided on Channel 0 (AINP/AIN0) or Channel 1 (AINM/AIN1) based on the channel selection. Each analog input channel can accept input signals in the range 0 V to AVDD V.

## Feature Description (接下页)

On power-up, the device wakes up in manual mode with Two-Channel, Single-Ended Configuration and samples CH0 only. This configuration can also be set by setting [OPMODE\\_SEL](#) to 000b or 001b. The device can be configured to sample either CH0 or CH1 or both channels by setting bits in [AUTO\\_SEQ\\_CHEN](#) register to select the channels.

- To select a channel in AUTO sequence, set AUTO\_SEQ\_CHx bit in [AUTO\\_SEQ\\_CHEN](#) register to 1.
- Set bits in [OPMODE\\_SEL](#) register to 100b or 101b for Manual Mode with AUTO sequence.
- Set bits in [OPMODE\\_SEL](#) register to 110b for *Autonomous Modes* with AUTO sequence.
- Set bits in [OPMODE\\_SEL](#) register to 111b for *High Precision Mode* with AUTO sequence.

### 7.3.1.2 Single-Channel, Single-Ended Configuration

Refer to [图 41](#) for a simplified block diagram showing a single-channel, single ended configuration. Set CH0\_CH1\_IP\_CFG bits = 01b to select this configuration. In this configuration,  $C_{S1}$  samples the input signal provided on the AINP/AIN0 pin whereas  $C_{S2}$  samples input signal provided on the AINM/AIN1 pin. AINP/AIN0 pin can accept input signals in the range 0 V to AVDD V and AINM/AIN1 pin can accept input signals in the range -100 mV to +100 mV. This input configuration is useful in systems where the sensor and/or the signal conditioning block is placed far from the device and there could be a small difference between the ground potentials. In this channel configuration, remove channel 1 from AUTO sequence by setting the AUTO\_SEQ\_CH1 bit to 0. Selecting channel 1 in AUTO sequence leads to an error condition and the device sets an error flag in [SEQUENCE\\_STATUS](#) register.

### 7.3.1.3 Single-Channel, Pseudo-Differential Configuration

Refer to [图 42](#) for a simplified block diagram showing a single-channel, pseudo-differential configuration. Set CH0\_CH1\_IP\_CFG bits = 10b to select this configuration. In this configuration,  $C_{S1}$  samples the input signal provided on the AINP/AIN0 pin whereas  $C_{S2}$  samples input signal provided on the AINM/AIN1 pin. AINP/AIN0 pin can accept input signals in the range 0 V to AVDD V and AINM/AIN1 pin can accept input signals in the range (AVDD/2) - 100 mV to (AVDD/2) + 100 mV. This input configuration is useful to interface with sensors that provide pseudo-differential signal with negative output as AVDD/2 like an electrochemical gas sensor. In this channel configuration, remove channel 1 from AUTO sequence by setting the AUTO\_SEQ\_CH1 bit to 0. Selecting channel 1 in AUTO sequence leads to an error condition and the device sets an error flag in [SEQUENCE\\_STATUS](#) register.

## 7.3.2 OFFSET Calibration

The offset can be calibrated by setting the TRIG\_OFFCAL bit in [OFFSET\\_CAL](#) register. During offset calibration, the sampling switches are open ([图 39](#)) and the device keeps BUSY/RDY pin high. The device calculates its offset error and corrects for this error for subsequent conversions. The device calibrates the offset on power up. To nullify the change in offset due to change in temperature or in AVDD voltage, it is recommended to perform this calibration periodically.

## 7.3.3 Reference

The device uses the analog supply voltage (AVDD) as a reference for the analog-to-digital conversion process. It is recommended to place a 220-nF, low-ESR ceramic decoupling capacitor between the AVDD pin and the GND pin, close to the AVDD Pin. Refer to [Power-Supply Recommendations](#) section.

## 7.3.4 ADC Transfer Function

The ADC provides data in straight binary format. The ADC resolution can be computed by [公式 1](#):

$$1 \text{ LSB} = V_{\text{REF}} / 2^N$$

where:

- $V_{\text{REF}} = \text{AVDD}$
  - $N = 12$  for Autonomous Monitoring Modes and Manual Mode
- (1)

[图 43](#) and [图 44](#) show the ideal transfer characteristics for Single-Ended Input and Pseudo-Differential Input, respectively. [表 1](#) show the digital output codes for the transfer functions.

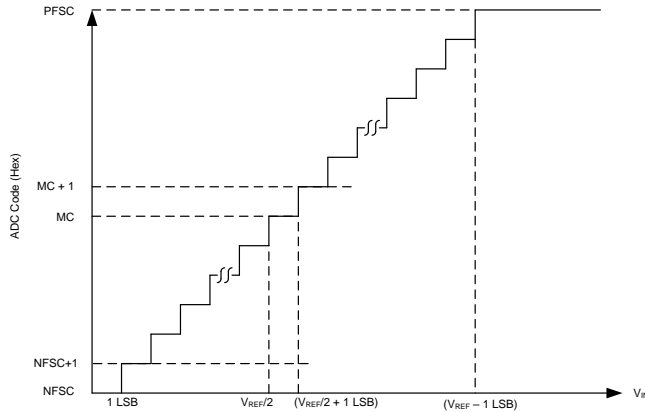


图 43. Ideal Transfer Characteristics for Single-Ended Configurations

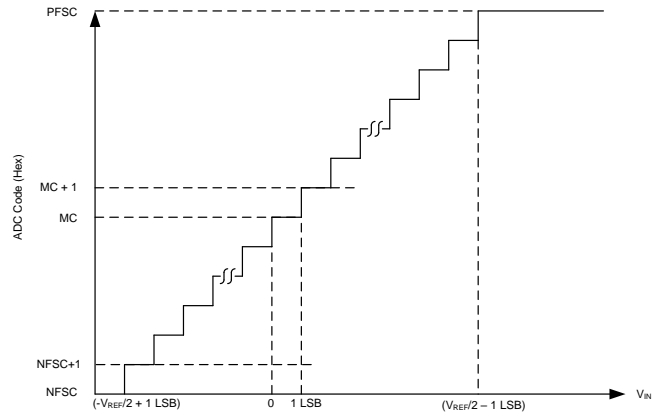


图 44. Ideal Transfer Characteristics for Pseudo-Differential Configuration

表 1. Transfer Characteristics

INPUT VOLTAGE for SINGLE ENDED INPUT	INPUT VOLTAGE for PSEUDO DIFFERENTIAL INPUT	CODE	DESCRIPTION	IDEAL OUTPUT CODE
				Autonomous Monitoring Mode Or Manual Mode
$\leq 1 \text{ LSB}$	$\leq (-V_{REF}/2 + 1) \text{ LSB}$	NFSC	Negative full-scale code	000
1 LSB to 2 LSBs	$(-V_{REF}/2 + 1) \text{ to } (-V_{REF}/2 + 2) \text{ LSB}$	NFSC + 1	—	001
$(V_{REF} / 2) \text{ to } (V_{REF} / 2) + 1 \text{ LSB}$	0 to 1 LSB	MC	Mid code	800
$(V_{REF} / 2) + 1 \text{ LSB to } (V_{REF} / 2) + 2 \text{ LSBs}$	1 to 2 LSB	MC + 1	—	801
$\geq V_{REF} - 1 \text{ LSB}$	$\geq V_{REF}/2 - 1 \text{ LSB}$	PFSC	Positive full-scale code	FFF

### 7.3.5 Oscillator and Timing Control

The device uses one of the two internal oscillators (Low Power Oscillator or High Speed Oscillator) for converting the analog input voltage into a digital output code.

The steps for selecting the oscillator and setting the sampling speed are listed below:

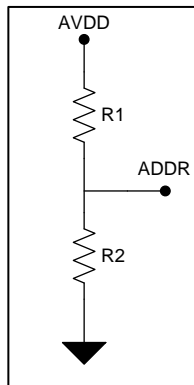
1. Select the Low Power Oscillator ( $OSC\_SEL = 1b$ ) to monitor slow moving signals (< 300 Hz) at extremely low power consumption and sampling speeds (< 600 SPS). Select the High Speed Oscillator ( $OSC\_SEL = 0b$ ) to scan the sensor signals with faster sampling speed (> 50 kHz).
2. Set sampling speed by programming the  $nCLK$  register:

$$f_s = \frac{\text{Oscillator frequency}}{nCLK}$$

- $f_s$  = Sampling Speed
- Oscillator Frequency =  $1/t_{HSO}$  or  $1/t_{LPO}$  depending on the  $OSC\_SEL$  bit, refer the [Specifications](#) for  $1/t_{HSO}$  or  $1/t_{LPO}$ .
- $nCLK$  is number of clocks in one conversion cycle ( $nCLK$  register) (2)

### 7.3.6 I<sup>2</sup>C Address Selector

The I<sup>2</sup>C address for the device is determined by connecting external resistors on ADDR pin. The device address are selected on power-up based on the resistor values. The device retains this address until the next power up, or until next device reset, or until the device receives a command to program its own address ([General Call with Write Software programmable part of slave address](#)). 图 45 provides the connection diagram for the ADDR pin and 表 2 provides the resistor values for selecting different addresses of the device.



Copyright © 2017, Texas Instruments Incorporated

图 45. External Resistor Connection Diagram for ADDR Pin

表 2. I<sup>2</sup>C Address Selection

Resistors		Address
R1 (1)	R2(1)	
0 Ω	DNP(2)	0011111b (1Fh)
11 kΩ	DNP(2)	0011110b (1Eh)
33 kΩ	DNP(2)	0011101b (1Dh)
100 kΩ	DNP(2)	0011100b (1Ch)
DNP(2)	0Ω or DNP(2)	0011000b (18h)
DNP(2)	11 kΩ	0011001b (19h)
DNP(2)	33 kΩ	0011010b (1Ah)
DNP(2)	100 kΩ	0011011b (1Bh)

(1) Tolerance for R1,R2 < ±5%

(2) DNP = Do not populate

### 7.3.7 Data Buffer

When operating in Autonomous Monitoring Mode, the device can use the internal data buffer for data storage. The internal data buffer is 16-bit wide and 16-word deep and follows the FIFO (first-in, first-out) approach.

#### 7.3.7.1 Filling of the Data Buffer

The write operation to the data buffer starts and stops as per the settings in the [DATA\\_BUFFER\\_OPMODE](#) register. The [DATA\\_BUFFER\\_STATUS](#) register provides the number of entries filled in the data buffer and this register can be read during an active sequence to get the current status of the data buffer. The time between two consecutive conversions is set by the [nCLK](#) register and [公式 3](#) provides the relationship for time between two consecutive conversions of the same channel and nCLK parameter.

$$t_{cc} = k \times nCLK \times \text{OscillatorTimePeriod}$$

where

- $t_{cc}$  is time between two consecutive conversions of same channel,  $t_{cc} = k \times t_{cycle}$ .
- $k$  is number of channels enabled in the device sequence.
- $nCLK$  is number of clocks used by device for one conversion cycle.
- Oscillator Timer Period is  $t_{LPO}$  or  $t_{HSO}$  depending on [OSC\\_SEL](#) value. Refer to the [Specifications](#) for  $t_{LPO}$  or  $t_{HSO}$ .

(3)

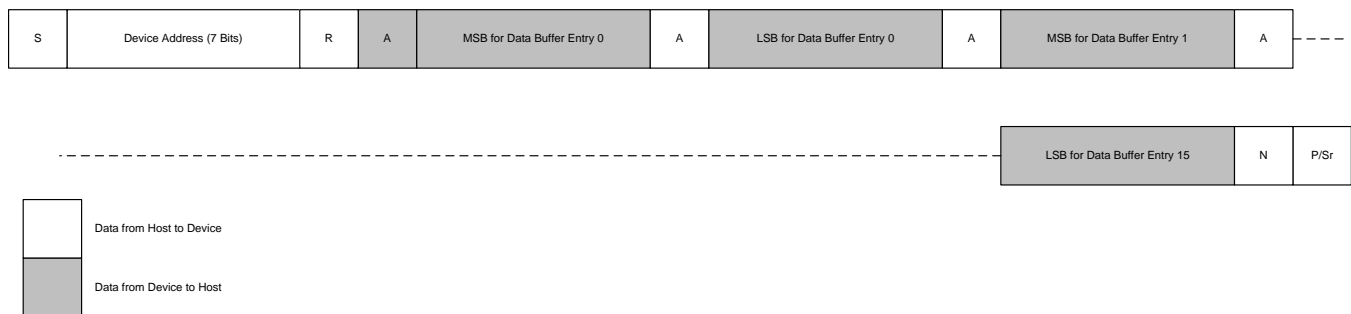
The format of the 16-bit contents of each entry in the data buffer are set by programming the [DATA\\_OUT\\_CFG](#) register. The [DATA\\_OUT\\_CFG](#) register enables the Channel ID and [DATA\\_VALID](#) flag in data buffer. Channel ID represents the channel number for the data entry in the data buffer. [DATA\\_VALID](#) is set to zero in either of the following conditions:

- If the entry in the data buffer is not filled after the last start of sequence.
- If the I<sup>2</sup>C master tries to read more than 16 entries from the data buffer, device provides zeros with DATA\_VALID set to zero.

At the end of the write operation, the data buffer always has results of 16 (or lesser) consecutive conversions. The data buffer is filled in the order that the data is converted by the ADC. The channels converted by the ADC are controlled by the [AUTO\\_SEQ\\_CHEN](#) register. The entries that are not filled during an active sequence are filled with zeros.

### 7.3.7.2 Reading data from the Data Buffer

The device brings the BUSY/ $\overline{RDY}$  pin low after completion of the sequence or after the [SEQ\\_ABORT](#) bit is set. As illustrated in [图 46](#), the device provides the contents of the data buffer (in FIFO fashion) on receiving I<sup>2</sup>C read frame, which consists of the device address and the read bit set to 1.



**图 46. Reading Data Buffer (16 Bit Words × 16 Words)**

The device returns zeroes with DATA\_VALID flag set to zero for all I<sup>2</sup>C read frames received after all the valid data words from the data buffer are read or when a I<sup>2</sup>C read frame is issued during an active sequence (indicated by high on the BUSY/ $\overline{RDY}$  pin). The I<sup>2</sup>C master needs to provide a NACK followed by a STOP or RESTART condition in an I<sup>2</sup>C frame to finish the reading process. The data buffer is reset by setting the [SEQ\\_START](#) bit or after resetting the device.

### 7.3.8 Accumulator

When operating in [High Precision Mode](#), the device offers a 16-bit internal accumulator per channel. The Accumulator for a channel is enabled only if that channel is selected in the channel scanning sequence. The accumulator adds sixteen 12-bit conversion results. The result of adding 16 twelve bit words is one 16 bit word that has an effective resolution of an 16-bit ADC. The time between two consecutive conversions for accumulation is controlled by the [nCLK](#) register and [公式 3](#) provides the relationship for time between two consecutive conversions of same channel and nCLK parameter.

The accumulated data can be read from the [ACCUMULATOR\\_DATA](#) registers in the device. [ACCUMULATOR\\_STATUS](#) register provides the number of accumulations done in the accumulator since last conversion. This register can be read during an active sequence to get the current status of the accumulator. The accumulator is reset on setting the [SEQ\\_START](#) bit and on resetting the device. [公式 4](#) provides the relationship between high precision data and ADC conversion results.

$$\text{High Precision Data for CHx} = \sum_{k=1}^{16} \text{Conversion Result}[k] \text{ for CHx} \quad (4)$$

[公式 5](#) provides the value of LSB in high precision mode for the accumulated result.

$$1 \text{ LSB} = \frac{AVDD}{2^{16}} \quad (5)$$

### 7.3.9 Digital Window Comparator

The internal Digital Window Comparator is available in all modes. In *Autonomous Modes* with Thresholds monitoring and Diagnostics, the digital window comparator controls the filling of the data and the output of the alert pin and in other modes, it only controls the output of the alert pin. 图 47 provides the block diagram for digital window comparator.

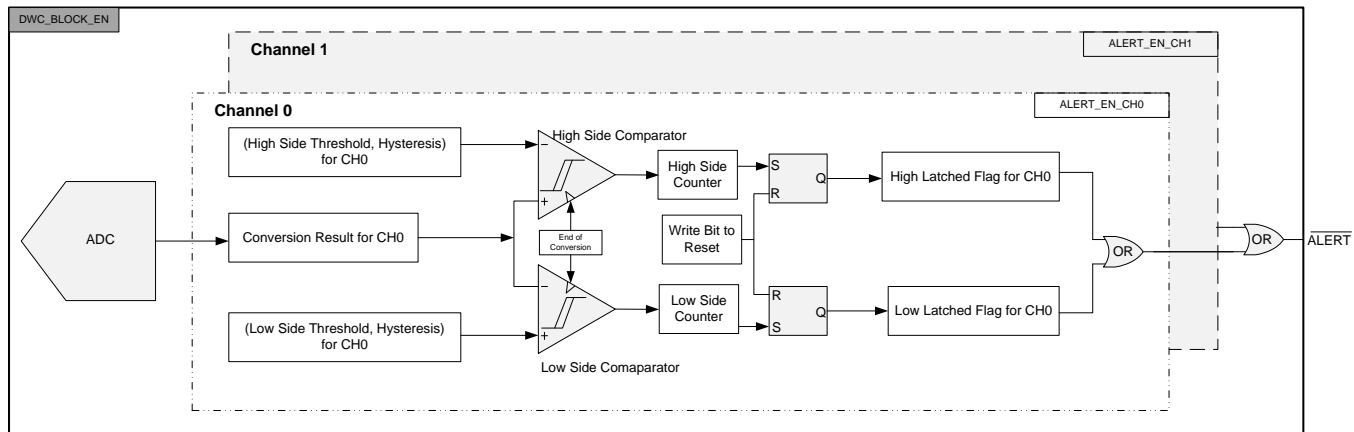


图 47. Digital Comparator Block Diagram

The Low Side Threshold, High Side Threshold, and Hysteresis parameters are independently programmable for each input channel. 图 48 shows the comparison thresholds and hysteresis for the two comparators. A Pre-Alert event counter after each comparator counts the output of the comparator and sets the latched flags. The Pre-Alert Event Counter settings are common to the two channels.

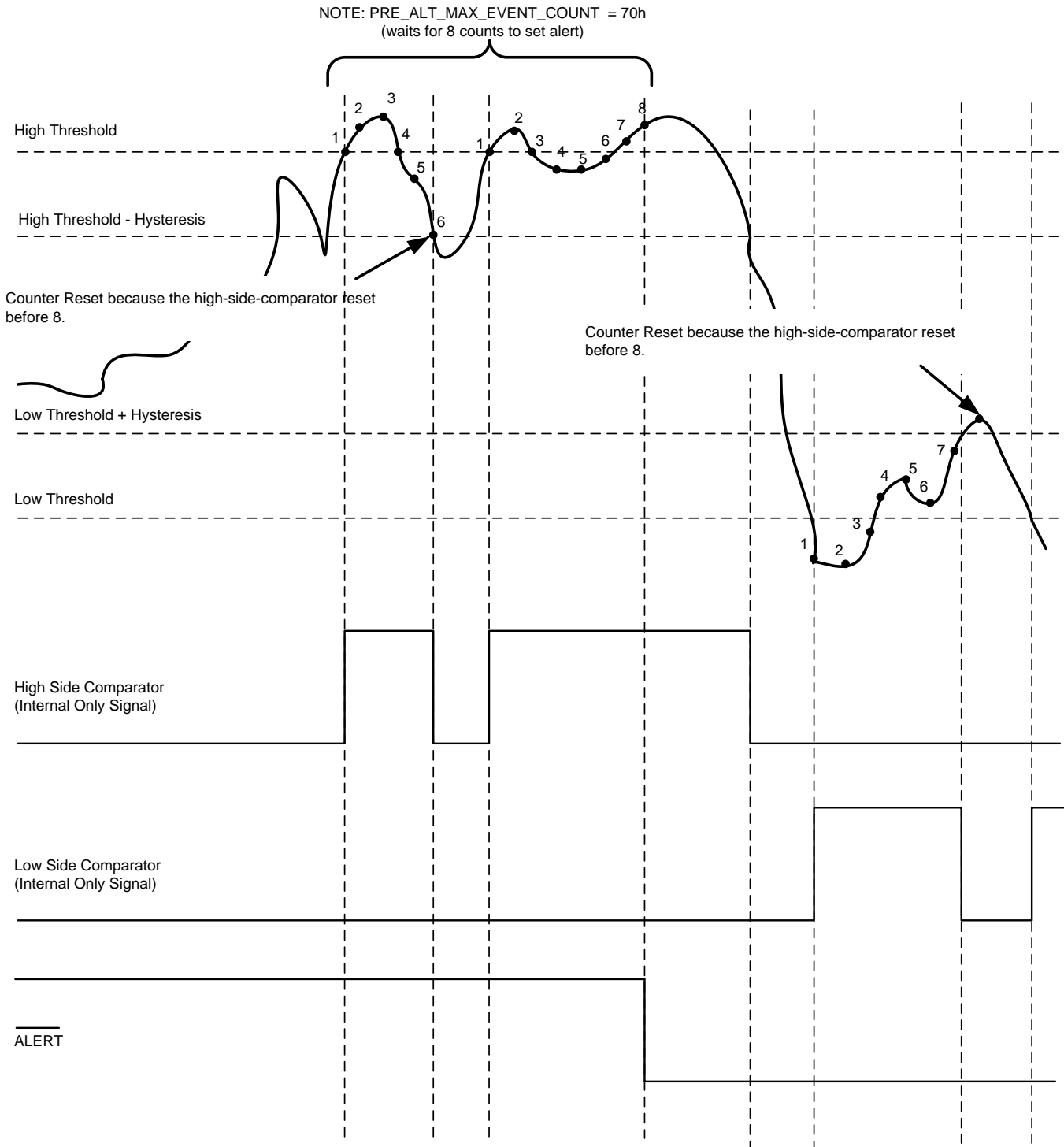


图 48. Thresholds, Hysteresis and Event Counter for Digital Window Comparator

DWC\_BLOCK\_EN bit in [ALERT\\_DWC\\_EN](#) register enables/disables the complete Digital Window Comparator block (disabled at power-up) and ALERT\_EN\_CHx bits in [ALERT\\_CHEN](#) register enables Digital Window Comparator for individual channels. Once enabled, whenever a new conversion result is available:

1. The output of the high side comparator transitions to logic high when the conversion result is greater than the High Threshold. This comparator resets when the conversion result is less than the High Threshold – Hysteresis.

2. The output of the low side comparator transitions to logic high when the conversion result is less than the Low Threshold. This comparator resets when the conversion result is greater than the Low Threshold + Hysteresis.
3. A different threshold and hysteresis can be used for each channel.
4. Once the output of either the high side or low side comparator transitions high the Pre-Alert Event Counter begins to increment for each subsequent conversion. This counter continues to increment until it reaches the value stored in the [PRE\\_ALT\\_MAX\\_EVENT\\_COUNT](#) register. Once it reaches [PRE\\_ALT\\_MAX\\_EVENT\\_COUNT](#), the Alert becomes active and sets the latched flags. If the comparator output becomes zero before counter reaches [PRE\\_ALT\\_MAX\\_EVENT\\_COUNT](#), then the event counter is reset to zero, Alert does not be set and latched flag is not set.

Therefore, the latched flags (high and low) for the channel are updated only if the respective comparator output remains 1 for the specified number of consecutive conversions (set by the [PRE\\_ALT\\_MAX\\_EVENT\\_COUNT](#)).

The latched flags can be read from the [ALERT\\_LOW\\_FLAGS](#) and [ALERT\\_HIGH\\_FLAGS](#) registers. To clear a latched flag, write 1 to the applicable bit location. The  $\overline{\text{ALERT}}$  pin status is re-evaluated whenever an applicable latched flag gets set or is cleared.

The response time for  $\overline{\text{ALERT}}$  pin can be estimated by [公式 6](#)

$$t_{\text{response}} = [1 + k \times (\text{PRE\_ALT\_MAX\_EVENT\_COUNT} + 1)] \times n\text{CLK} \times \text{Oscillator TimePeriod}$$

where

- k is number of channels enabled in device sequence
- nCLK is number of clocks used by device for one conversion cycle.
- Oscillator Timer Period is  $t_{\text{LPO}}$  or  $t_{\text{HSO}}$  depending on [OSC\\_SEL](#) value . Refer to the [Specifications](#) for  $t_{\text{LPO}}$  or  $t_{\text{HSO}}$  . (6)

### 7.3.10 I<sup>2</sup>C Protocol Features

#### 7.3.10.1 General Call

On receiving a general call (00h), the device provides an ACK.

#### 7.3.10.2 General Call with Software Reset

On receiving a general call (00h) followed with Software Reset (06h), the device resets itself.

#### 7.3.10.3 General Call with Write Software programmable part of slave address

On receiving a general call (00h) followed by 04h, the device configures its own I<sup>2</sup>C address configured by the ADDR pin. During this operation, the device keeps BUSY/RDY Pin high and does not respond to other I<sup>2</sup>C commands except general call.

#### 7.3.10.4 Configuring Device into High Speed I<sup>2</sup>C mode

The device can be configured in High Speed I<sup>2</sup>C mode by providing an I<sup>2</sup>C frame with one of the HS-mode master codes (08h to 0Fh).

After receiving one of the HS-mode master codes, the device sets the HS\_MODE bit in [OPMODE\\_I2CMODE\\_STATUS](#) register and remains in High Speed I<sup>2</sup>C mode until a STOP condition is received in an I<sup>2</sup>C frame.

#### 7.3.10.5 Bus Clear

If the SDA line is stuck LOW due to an incomplete I<sup>2</sup>C frame, providing nine clocks on SCL is recommended. The device releases the SDA line within these nine clocks, and then the next I<sup>2</sup>C frame can be started.

### 7.3.11 Device Programming

表 3 provides the acronyms for different conditions in an I<sup>2</sup>C Frame.

表 3. I<sup>2</sup>C Frame Acronyms

Symbol	Description
S	Start condition for I <sup>2</sup> C Frame
Sr	Re-start condition for I <sup>2</sup> C Frame
P	Stop condition for I <sup>2</sup> C Frame
A	ACK (Low)
N	NACK (High)
R	Read Bit (High)
W	Write Bit (Low)

表 4. Opcodes for Commands

Opcode	Command Description
00010000b	Single Register Read
00001000b	Single Register Write
00011000b	Set Bit
00100000b	Clear Bit
00110000b	Reading a continuous block of registers
00101000b	Writing a continuous block of registers

#### 7.3.11.1 Reading Registers

The I<sup>2</sup>C master can either read a single register or a continuous block registers from the device as described in [Single Register Read](#) and in [Reading a Continuous Block of Registers](#).

##### 7.3.11.1.1 Single Register Read

To read a single register from the device, the I<sup>2</sup>C master has to first provide an I<sup>2</sup>C command with three frames (of 8-bits each) to set the address as illustrated in [图 49](#). The register address is the address of the register which must be read. The opcode for register read command is listed in [表 4](#).

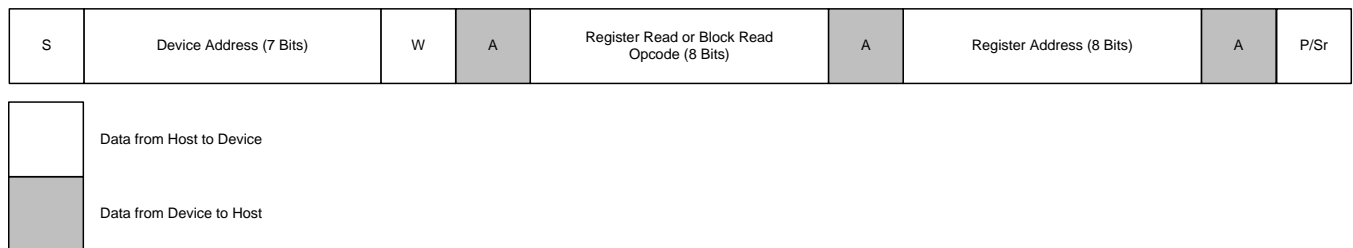


图 49. Setting Register Address for Reading Registers

After this, the I<sup>2</sup>C master has to provide another I<sup>2</sup>C frame containing the device address and read bit as illustrated in [图 50](#). After this frame, the device provides register data. If the host provides more clocks, the device provides same register data. To end the register read command, the master has to provide a STOP or a RESTART condition in the I<sup>2</sup>C frame.

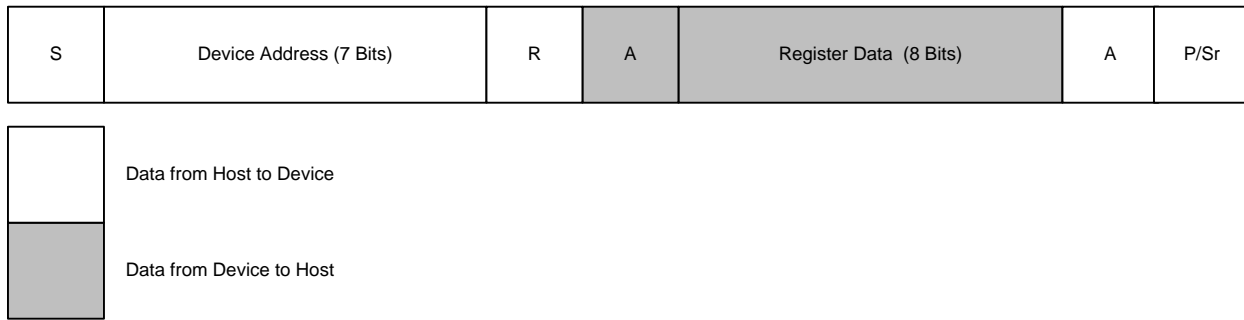


图 50. Reading Register Data

7.3.11.1.2 Reading a Continuous Block of Registers

To read a continuous block of registers, the I<sup>2</sup>C master has to first provide an I<sup>2</sup>C command to set the address as illustrated in 图 49. The register address is the address of the first register in the block which must be read. The opcode for reading a continuous block of register is listed in 表 4.

Next, the I<sup>2</sup>C master has to provide another I<sup>2</sup>C frame containing the device address and read bit as illustrated in 图 51. After this frame, the device provides register data. On providing more clocks, the device provides data for next register. On reading data from addresses which does not exist in the *Register Map* of the device, the device returns zeros. If the device does not have any further registers to provide the data, it provides zeros. To end the register read command, the master has to provide a STOP or a RESTART condition in the I<sup>2</sup>C frame.

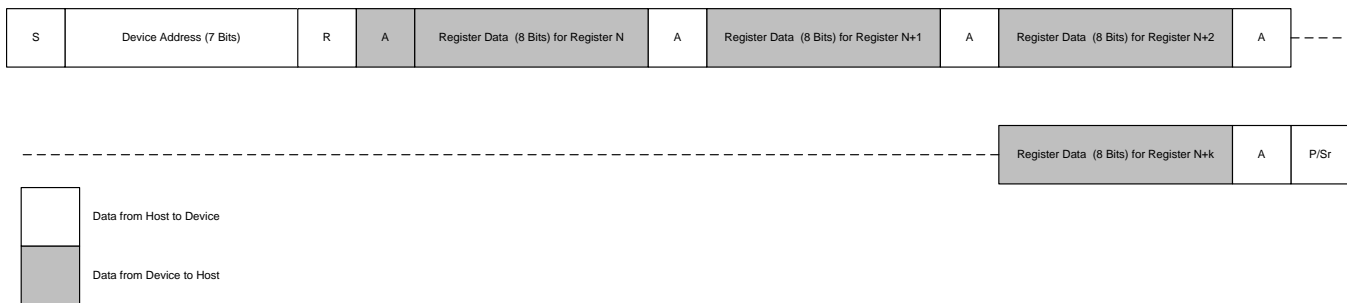


图 51. Reading a Continuous Block of Registers

7.3.11.2 Writing Registers

The I<sup>2</sup>C master can either write a single register or a continuous block registers to the device. It can also set a few bits in a register or clear a few bits in a register.

7.3.11.2.1 Single Register Write

To write to a single register in the device, the I<sup>2</sup>C master has to provide an I<sup>2</sup>C command with four frames as illustrated in 图 52. The register address is the address of the register which must be written and register data is the value that must be written. The opcode for single register write is listed in 表 4. To end the register write command, the master has to provide a STOP or a RESTART condition in the I<sup>2</sup>C frame.

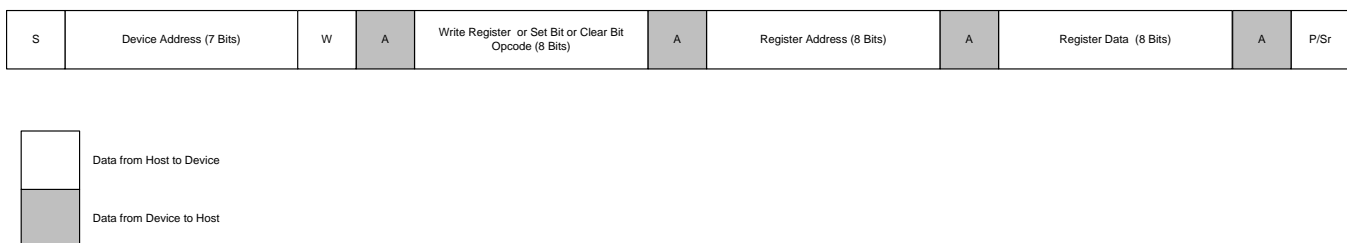


图 52. Writing a Single Register

### 7.3.11.2.2 Set Bit

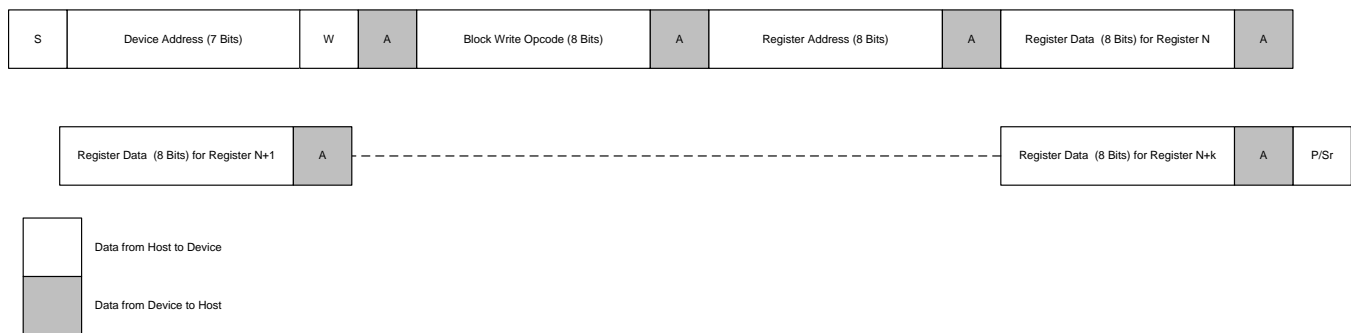
To set bits in a register without changing the other bits, the I<sup>2</sup>C master has to provide an I<sup>2</sup>C command with four frames as illustrated in 图 52. The register address is the address of the register in which the bits needs to be set and register data is the value representing the bits which need to be set. Bits with value as 1 in register data are set and bits with value as 0 in register data are not changed. The opcode for set bit is listed in 表 4. To end this command, the master has to provide a STOP or RESTART condition in the I<sup>2</sup>C frame.

### 7.3.11.2.3 Clear Bit

To clear bits in a register without changing the other bits, the I<sup>2</sup>C master has to provide an I<sup>2</sup>C command with four frames as illustrated in 图 52. The register address is the address of the register in which the bits needs to be cleared and register data is the value representing the bits which need to be cleared. Bits with value as 1 in register data are cleared and bits with value as 0 in register data are not changed. The opcode for clear bit is listed in 表 4. To end this command, the master has to provide a STOP or a RESTART condition in the I<sup>2</sup>C frame.

### 7.3.11.2.4 Writing a continuous block of registers

To write to a continuous block of registers, the I<sup>2</sup>C master has to provide an I<sup>2</sup>C command as illustrated in 图 53. The register address is the address of the first register in the block which needs to be written. The I<sup>2</sup>C master has to provide data for registers in subsequent I<sup>2</sup>C frames in an ascending order of register addresses. Writing data to addresses which do not exist in the *Register Map* of the device has no effect. The opcode for writing a continuous block of registers is listed in 表 4. If the data provided by the I<sup>2</sup>C master exceeds the address space of the device, the device neglects the data beyond the address space. To end the register write command, the master has to provide a STOP or a RESTART condition in the I<sup>2</sup>C frame.



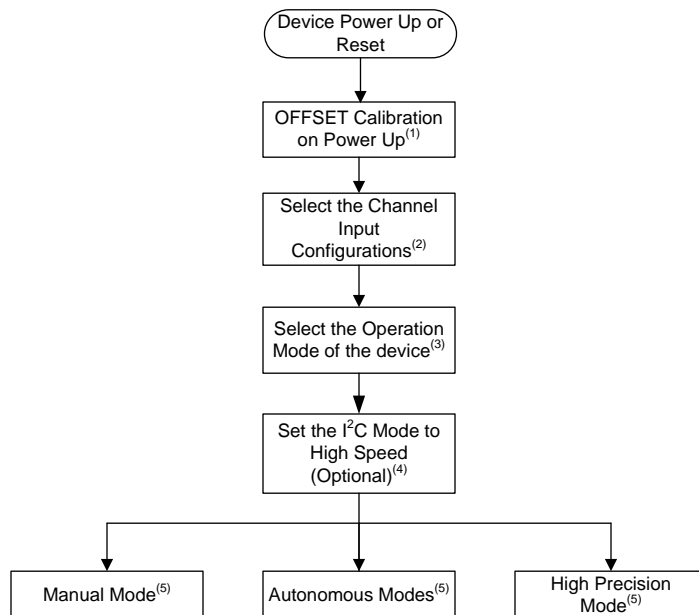
**图 53. Writing a continuous block of registers**

## 7.4 Device Functional Modes

The device has below functional modes:

- Manual Mode
- Autonomous Modes
  - Autonomous Mode with Threshold Monitoring and Diagnostics.
  - Autonomous Mode with Burst Data
- High Precision Mode

Device powers up in Manual Mode and can be configured into one of the other modes of these modes by writing the configuration registers for the desired mode. Steps for configuring device into different modes are illustrated in [图 54](#)



- (1) Offset can also be calibrated anytime during normal operation by setting the bit in the [OFFSET\\_CAL](#) register.
- (2) Configure the [CHANNEL\\_INPUT\\_CFG](#) register.
- (3) Configure the [OPMODE\\_SEL](#) register for the desired operation mode.
- (4) Refer to [Configuring Device into High Speed I<sup>2</sup>C mode](#) section.
- (5) Operating mode is selected by configuring the [OPMODE\\_SEL](#) register in step 3.
- (6) For reading and writing registers, Refer to [Device Programming](#) section.

**图 54. Configuring Device into different modes**

### 7.4.1 Device Power Up and Reset

On power up, the device calibrates its own offset and calculates the address from the resistors connected on ADDR pin. During this time, the device keeps BUSY/ $\overline{RDY}$  high.

The device can be reset by recycling power on AVDD pin, by General Call(00h) followed by software reset (06h), or by writing the [WKEY](#) register followed by setting the bit in [DEVICE\\_RESET](#) register.

Recycling power on the AVDD pin and on General call(00h) followed by software reset (06h), all the device configurations are reset, and the device initiates offset calibration and re-evaluates its I<sup>2</sup>C address.

When setting the bit in [DEVICE\\_RESET](#) register, all the device configurations except latched flags for the Digital Window Comparator and [WKEY](#) register are reset, The device does not initiate offset calibration and does not re-evaluate its I<sup>2</sup>C address.

## Device Functional Modes (接下页)

### 7.4.2 Manual Mode

On power-up, the device is in Manual Mode using the single ended and dual channel configuration and starts by sampling the analog input applied on Channel 0. In this mode, the device uses the high frequency oscillator for conversions. Manual mode allows the external host processor to directly request and control when the data is sampled. The data capture is initiated by an I<sup>2</sup>C command from the host processor and the data is then returned over the I<sup>2</sup>C bus at a throughput rate of up to 140-kSPS. Applications that could take advantage of this type of functionality include traditional ADC applications that require 1 or 2 channels of continuous data output.

After setting the operation mode to Manual Mode as illustrated in 图 54, steps for operating the device to be in Manual Mode and reading data are illustrated in 图 55. The host can either configure the device to scan through one channel or both channels by configuring the *CHANNEL\_INPUT\_CFG* register and *AUTO\_SEQ\_CFG* register.

#### 7.4.2.1 Manual Mode with CH0 Only

Set the *OPMODE\_SEL* register to 000b or 001b for Manual Mode with CH0 only. The host has to provide device address and read bit to start the conversions. To continue with conversions and reading data to the host must provide continuous SCL (图 56). In this mode, a NACK followed by a STOP condition in I<sup>2</sup>C frame is required to abort the operation. Then the device operation mode can be changed to another operation mode.

#### 7.4.2.2 Manual Mode with AUTO Sequence

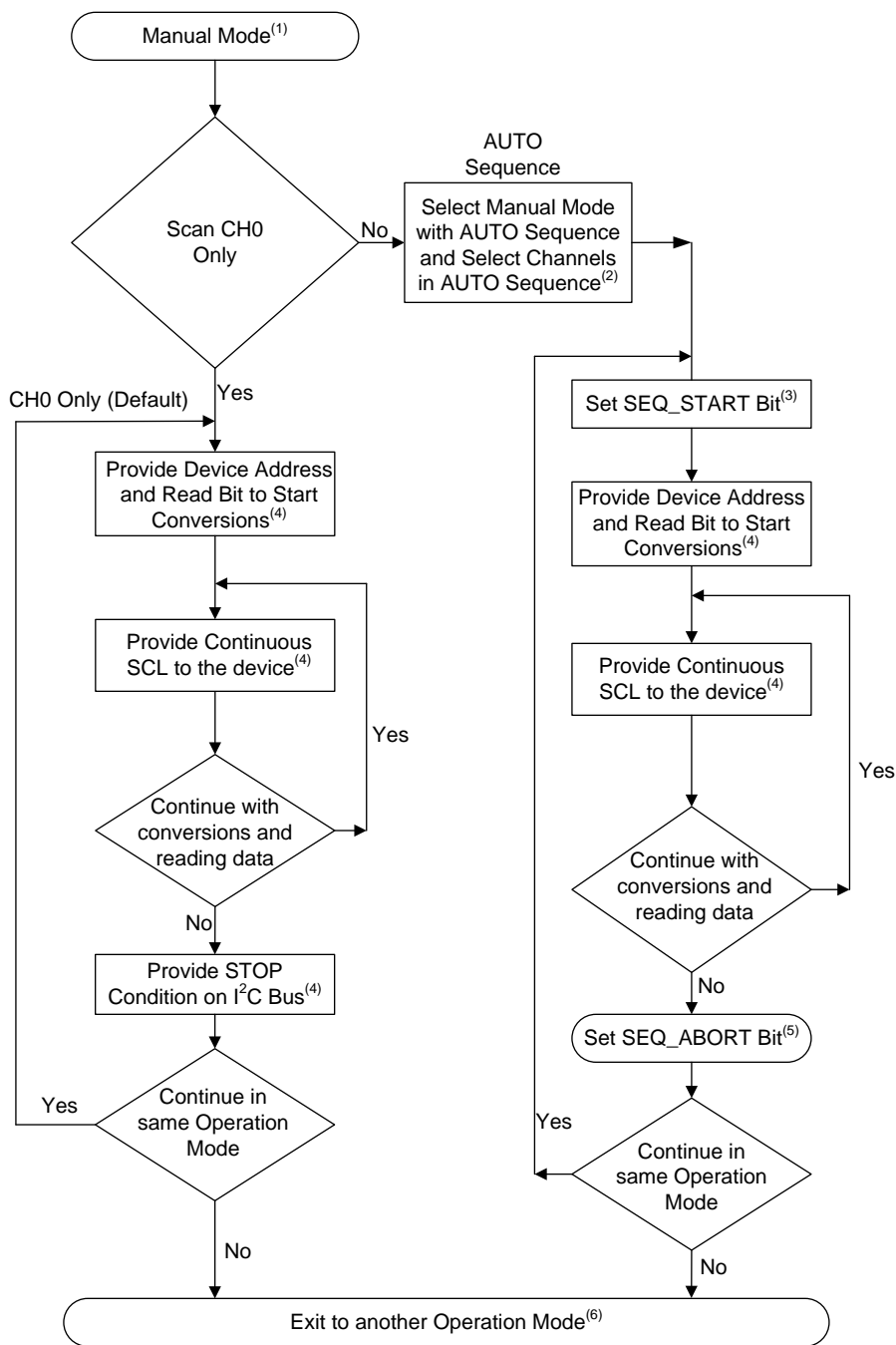
Set the *OPMODE\_SEL* register to 100b or 101b for Manual Mode with AUTO Sequence. The host has to set the SEQ\_START bit in *START\_SEQUENCE* register and provide the device address and read bit to start the conversions. To continue with conversions and reading data, the host must provide continuous SCL (图 56). In this mode, the SEQ\_ABORT bit in *ABORT\_SEQUENCE* register must be set to abort the operation. Then the device operation mode can be changed to another operation mode. In this mode, a register read aborts the AUTO sequence.

In Manual Mode, the device always uses the High Speed Oscillator and the nCLK parameter has no effect. The maximum scan rate is given by 公式 7:

$$f_s = \frac{1000}{[18 \times T_{SCL} + k]}$$

- $f_s$  = Maximum sampling Speed in kSPS
- $T_{SCL}$  = Time period of SCL clock (in  $\mu$ sec)
- if  $T_{SCL-LOW}$  (Low period of SCL) < 1.8. $\mu$ sec,  $k = (1.8 - T_{SCL-LOW})$  and Device stretches clock in Manual Mode. Not Applicable for Standard I<sup>2</sup>C Mode (100 kHz).
- if  $T_{SCL-LOW}$  (Low period of SCL)  $\geq$  1.8. $\mu$ sec,  $k = 0$  and Device does not stretch clock in Manual Mode. (7)

Device Functional Modes (接下页)

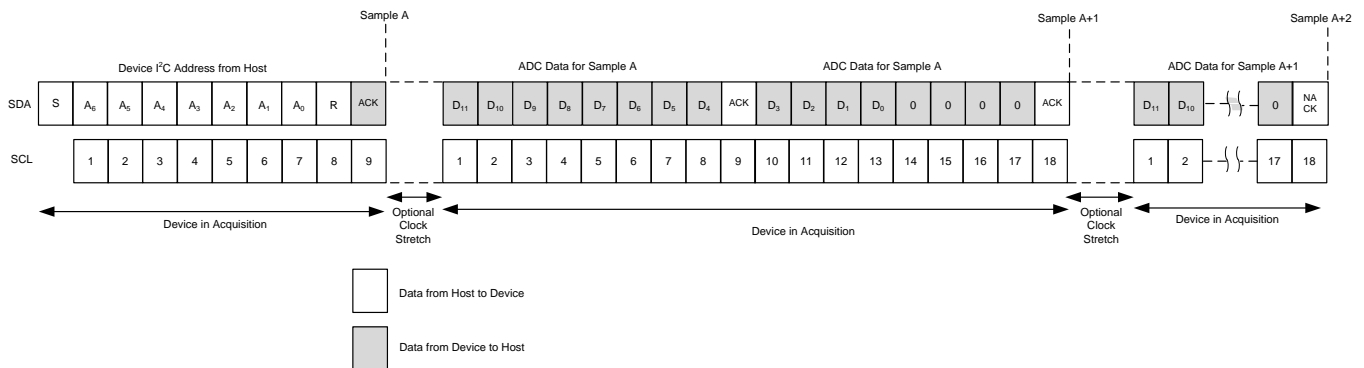


- (1) For setting the operation mode to Manual mode, Refer to 图 54
- (2) Select Manual mode with AUTO sequence in `OPMODE_SEL` register. Select channels in `AUTO_SEQ_CFG` register.
- (3) Set the bit `SEQ_START` bit in the `START_SEQUENCE` register.
- (4) Refer to 图 56 .
- (5) Set the bit `SEQ_ABORT` bit in the `ABORT_SEQUENCE` register .
- (6) Select another operation mode in the `OPMODE_SEL` register.
- (7) For reading and writing registers, Refer to [Device Programming](#) section.

图 55. Device Operation in Manual Mode

## Device Functional Modes (接下页)

Data can be read from the device by providing a device address and read bit followed by continuous SCL as shown in 图 56.



- (1) Refer to 公式 7 for sampling speed in Manual Mode.
- (2) If device scans both channels in AUTO sequence, first data (For Sample A) is from CH0 and second data (For Sample A +1) is from CH1.

**图 56. Starting Conversion and Reading Data in Manual Mode**

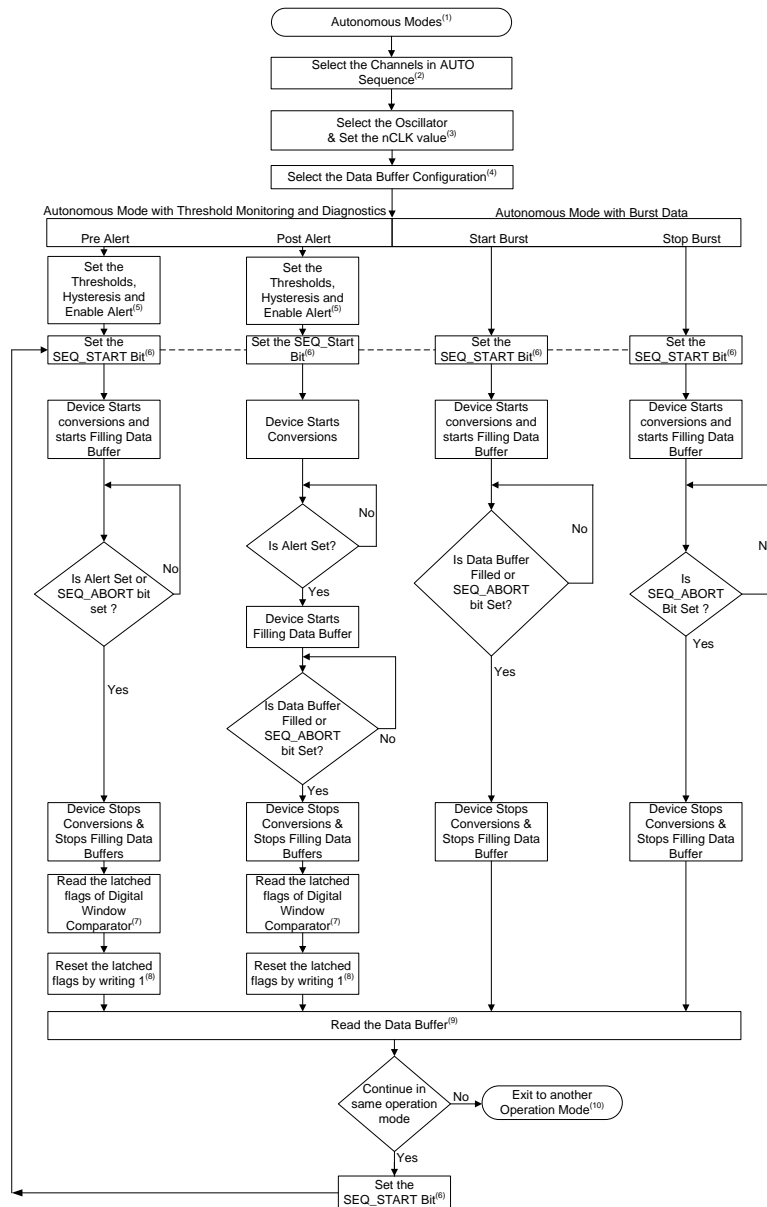
### 7.4.3 Autonomous Modes

In Autonomous Mode, the device can be programmed to monitor the voltage applied on the analog input pins of the device and generate a signal on the  $\overline{\text{ALERT}}$  pin when the programmable high or low threshold values are crossed and store the conversion results in the data buffer before or after the crossing a threshold or before setting the `SEQ_ABORT` bit (Start Burst) or after setting the `START_SEQUENCE` bit.

In Autonomous mode, the device generates the start of conversion using the internal oscillator. The first start of conversion must be provided by the host and the device generates the subsequent start of conversions.

After configuring the operation mode to autonomous mode (Set `OPMODE_SEL` register to 110b) as illustrated in 图 54, steps for operating the device to be in different autonomous modes are illustrated in 图 57

Device Functional Modes (接下页)



- (1) For setting the operation mode to Autonomous modes, Refer to 图 54
- (2) Select channels in the [AUTO\\_SEQ\\_CFG](#) register.
- (3) Select the oscillator by configuring the [OSC\\_SEL](#) register and configure the [nCLK](#) register.
- (4) Select the data buffer mode in the [DATA\\_BUFFER\\_OPMODE](#) register.
- (5) Configure the thresholds in the [DWC\\_xTH\\_CHx\\_xxx](#) registers and hysteresis in the [DWC\\_HYS\\_CHx](#) registers. Enable the alert for channels in the [ALERT\\_CHEN](#) register and set the [DWC\\_BLOCK\\_EN](#) bit in the [ALERT\\_DWC\\_EN](#) register.
- (6) Set the bit [SEQ\\_START](#) bit in the [START\\_SEQUENCE](#) register.
- (7) Read the [ALERT\\_LOW\\_FLAGS](#) and/or [ALERT\\_HIGH\\_FLAGS](#) registers.
- (8) Reset the [ALERT\\_LOW\\_FLAGS](#) and/or [ALERT\\_HIGH\\_FLAGS](#) registers by writing 03h.
- (9) Refer to [Reading data from the Data Buffer](#) section.
- (10) Select another operation mode in the [OPMODE\\_SEL](#) register.
- (11) For reading and writing registers, Refer to [Device Programming](#) section.

图 57. Configuring Device in Autonomous Modes

## Device Functional Modes (接下页)

TI recommends aborting the present sequence by setting the `SEQ_ABORT` bit before changing the device operation mode or device configuration.

### 7.4.3.1 Autonomous Mode with Threshold Monitoring and Diagnostics

The Threshold Monitoring Mode automatically scans the input voltage on the input channel(s) and generates a signal when the programmable high or low threshold values are crossed. This mode is useful for applications where the output of the sensor needs to be continuously monitored and action only taken when the sensor output deviates outside of an acceptable range. Applications that could take advantage of this type of functionality include wireless sensor nodes, environmental sensors, smoke and heat detectors, motion detectors, and so on.

In this mode, the data buffer can be configured to store the conversion results of the ADC in two different ways.

#### 7.4.3.1.1 Autonomous Mode with Pre Alert Data

In this mode, the device stores the sixteen conversion prior to the activation of the Alert. Upon activation of Alert, conversion stops. For this mode, Set `DATA_BUFFER_OPMODE` to 100b. In this mode, the device starts converting and stores the data on setting the bit in the `SEQ_START` register and continues to store the data into the data buffer until one of the digital comparator flags is set for crossing a high threshold or a low threshold for the channels selected in the sequence. If the `SEQ_ABORT` bit is set before the data buffer is filled, the device aborts the sequence and stops storing the conversion results. If more than 16 conversions occur between start of sequence and alert output, the first entries written into the data buffer are over-written.

图 58 和 图 59 illustrates the filling of data buffer in autonomous mode with Pre alert Data.

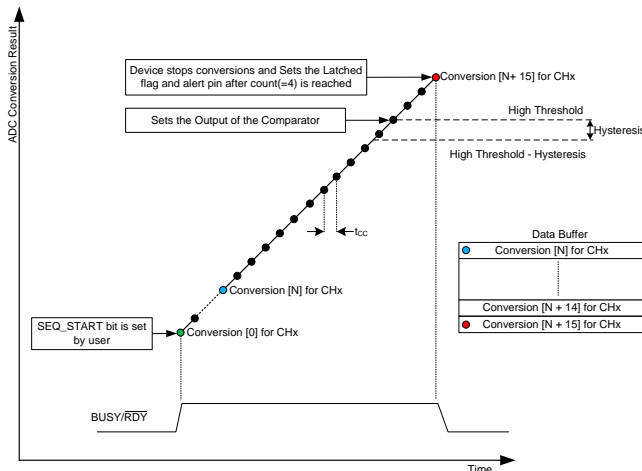


图 58. Pre Alert Data for Single Channel Configurations

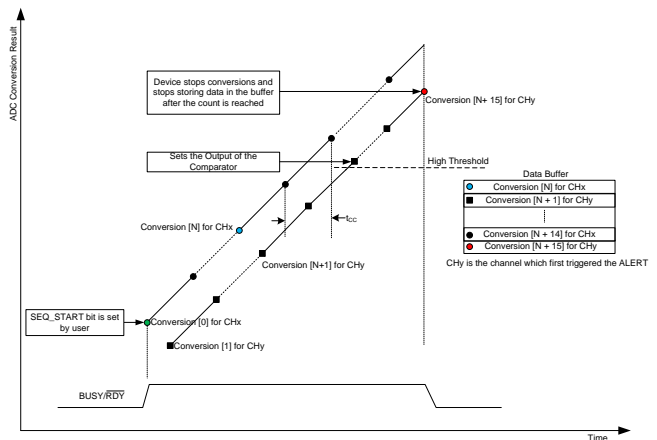


图 59. Pre Alert Data for Dual Channel Configuration

7.4.3.1.2 Autonomous Mode with Post Alert Data

In this mode, the device captures the next sixteen conversion results after the Alert is active. Once these sixteen conversions are stored in the data buffer, all conversion stops. For this mode, Set *DATA\_BUFFER\_OPMODE* to 110b. In this mode, the device starts converting the data on setting the *SEQ\_START* bit and stores the data in the data buffer when one of the digital comparator flags is set after the crossing a high threshold or a low threshold for the channels selected in the sequence. if the *SEQ\_ABORT* bit is set before the data buffer is filled, the device aborts the sequence and stops storing the conversion results.

图 60 and 图 61 illustrates the filling of the data buffer in autonomous mode with Post Alert Data.

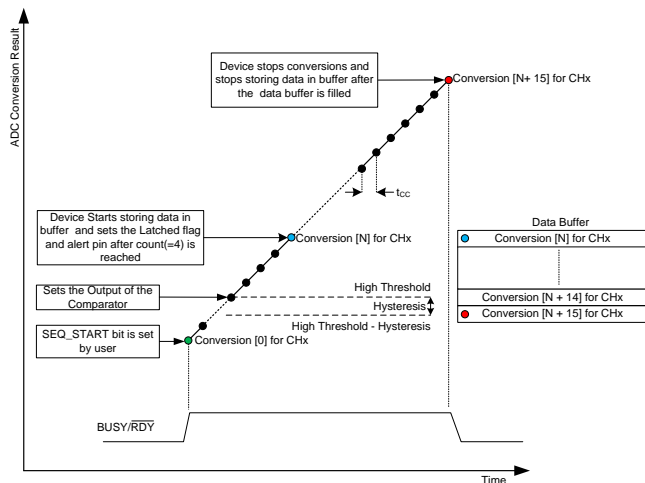


图 60. Post Alert Data for Single Channel Configurations

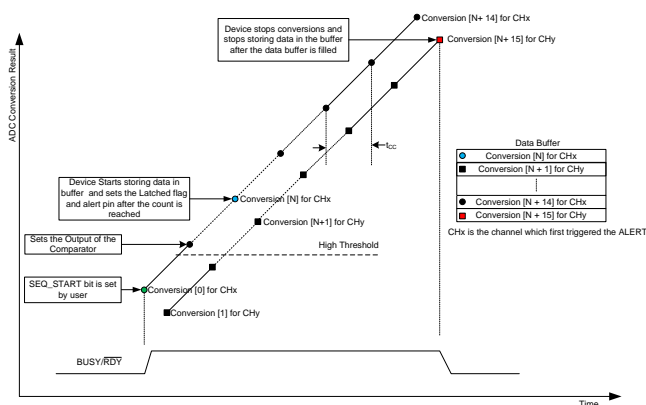


图 61. Post Alert Data for Dual Channel Configuration

### 7.4.3.2 Autonomous Mode with Burst Data

In this mode, the device can be configured to store up-to 16 conversion results in the data buffer based on user command. Applications that could take advantage of this mode are remote data loggers, environmental sensing and patient monitors. In this mode, the user can either start the burst or stop the burst of data as described in the following sections:

#### 7.4.3.2.1 Autonomous Mode with Start Burst

For this mode, set *DATA\_BUFFER\_OPMODE* to 001b. With Start Burst, the user can configure the device to start the filling of data buffer with conversion results by setting the *SEQ\_START* bit and the device stops converting data and filling the data buffer after the data buffer is filled.

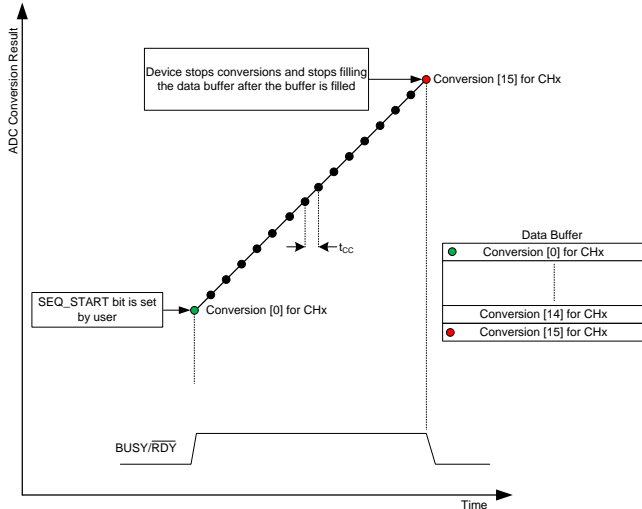


图 62. Start Burst with Single Channel Configurations

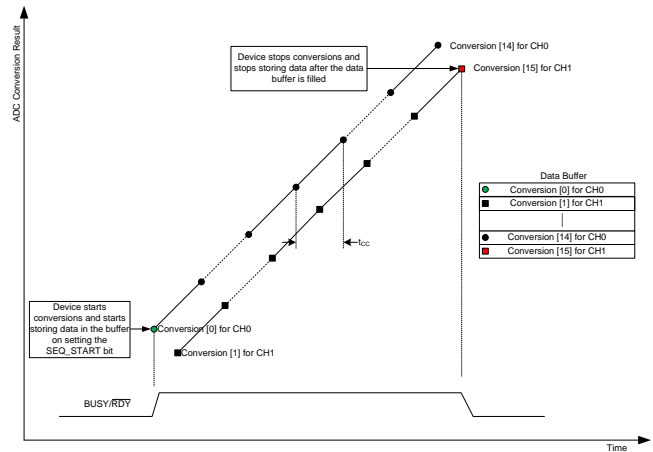


图 63. Start Burst with Dual Channel Configuration

### 7.4.3.2.2 Autonomous Mode with Stop Burst

For this mode, Set *DATA\_BUFFER\_OPMODE* to 000b. With Stop Burst, the user can configure the device to stop filling the data buffer with conversion results by setting the *SEQ\_ABORT* bit. If more than 16 conversions occur between start of sequence and abort of sequence, the entries first written into the data buffer are overwritten. 图 64 and 图 65 illustrate the filling of the data buffer in autonomous mode with Stop Burst.

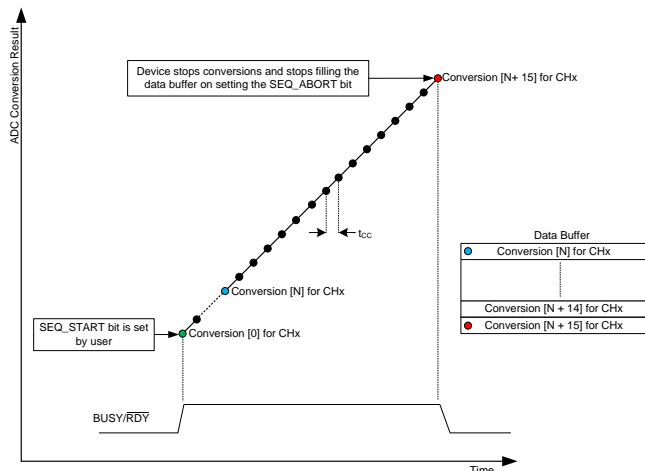


图 64. Stop Burst with Single Channel Configurations

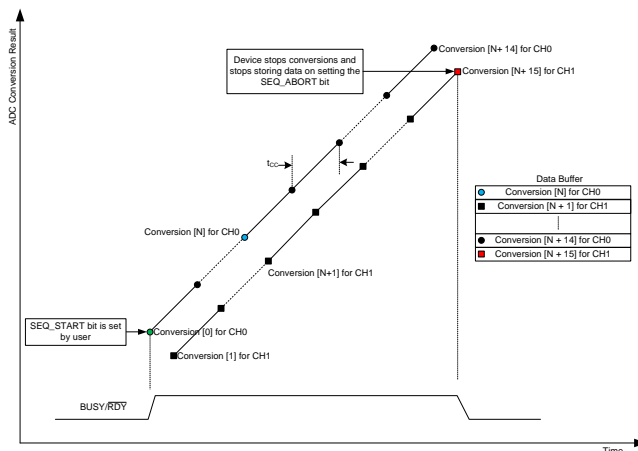
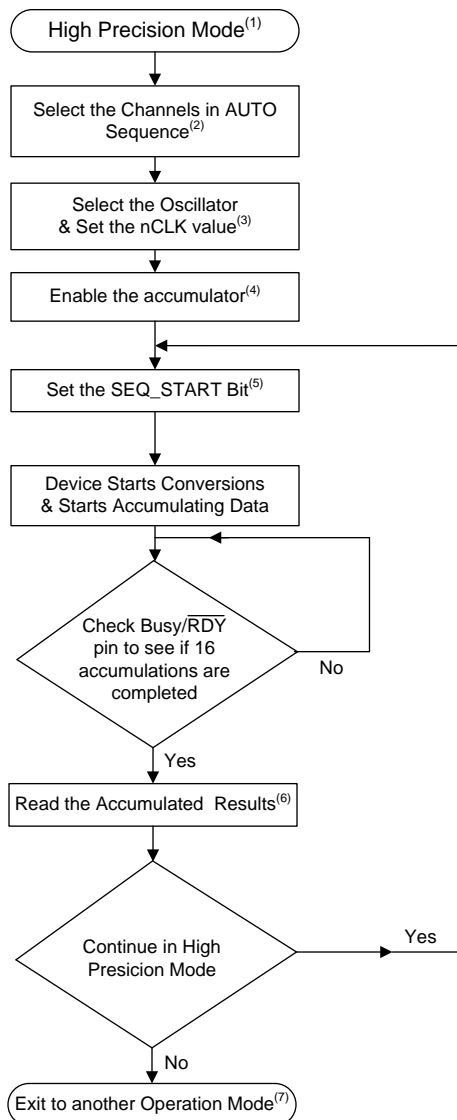


图 65. Stop Burst with Dual Channel Configuration

### 7.4.4 High Precision Mode

The High Precision Mode increases the accuracy of the data measurement to 16-bit accuracy. This is useful for applications where the level of precision required to accurately measure the sensor output needs to be higher than 12 bits. Applications that could take advantage of this type of functionality include gas detectors, air quality testers, water quality testers, and so on.

For this mode, Set *OPMODE\_SEL* register to 111b. In this mode, the device starts converting and starts accumulating the conversion results in an accumulator on setting the *SEQ\_START* bit. The device stops accumulating the conversion results in accumulator after 16 conversions or when the *SEQ\_ABORT* bit is set. Upon accumulating 16 twelve bit conversions, the accumulator contains one 16 bit conversion result. The device has an accumulator for each channel and the device accumulates conversion results from each channel into the respective accumulator. If the operation of the device is aborted in high precision mode before the *BUSY/RDY* pin goes low, the device provides invalid data. In this mode, on providing a device address and read bit for reading data buffer (图 46), the device provides zeroes as output. In this mode, the *BUSY/RDY* can be used to wake up the MCU or host from sleep or hibernation on completion of accumulation. The steps for configuring the device into High Precision Mode are illustrated in 图 66 .



- (1) For setting the operation mode to High Precision mode, Refer to [图 54](#)
- (2) Select the channels in the [AUTO\\_SEQ\\_CFG](#) register.
- (3) Select the oscillator by configuring the [OSC\\_SEL](#) register and configure the [nCLK](#) register.
- (4) Enable the accumulator by setting bits in the [ACC\\_EN](#) register.
- (5) Set the bit SEQ\_START bit in the [START\\_SEQUENCE](#) register.
- (6) Read the [ACC\\_CHx\\_xxx](#) registers.
- (7) Select another operation mode in the [OPMODE\\_SEL](#) register.
- (8) For reading and writing registers, Refer to [Device Programming](#) section.

**图 66. Configuring Device in High Precision Mode**

It is recommended to abort the present sequence by setting the [SEQ\\_ABORT](#) bit before changing the device operation mode or device configuration.

图 67 illustrates the accumulation of conversion results in high precision mode.

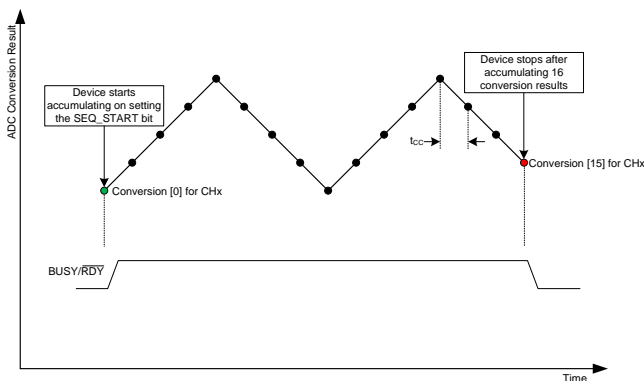


图 67. High Precision Mode with Single Channel Configurations

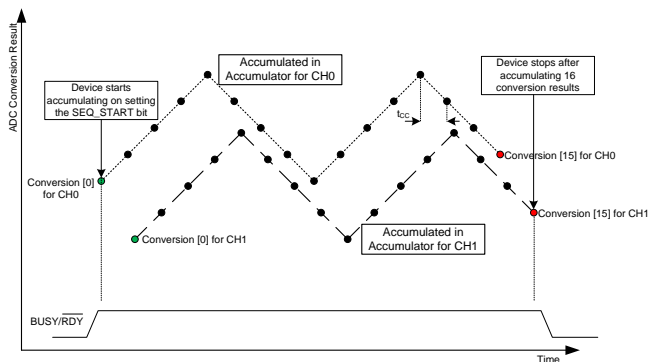


图 68. High Precision Mode with Dual Channel Configurations

### 7.5 Optimizing Power Consumed by the Device

- Keep the analog supply voltage (AVDD) as close as possible to the analog input signal to the device. Set AVDD to be greater than or equal to the analog input signal to the device.
- Keep the digital supply voltage (DVDD) at the lowest permissible value.
- In Manual Mode, run the device at the optimum sampling speed. Power consumption scales with Sampling Speed. In Manual Mode, the sampling speed is dependent on time period (or frequency) of SCL (公式 7). 图 69 and 图 70 illustrate scaling of  $I_{AVDD}$  and  $I_{DVDD}$  with SCL in Manual Mode.

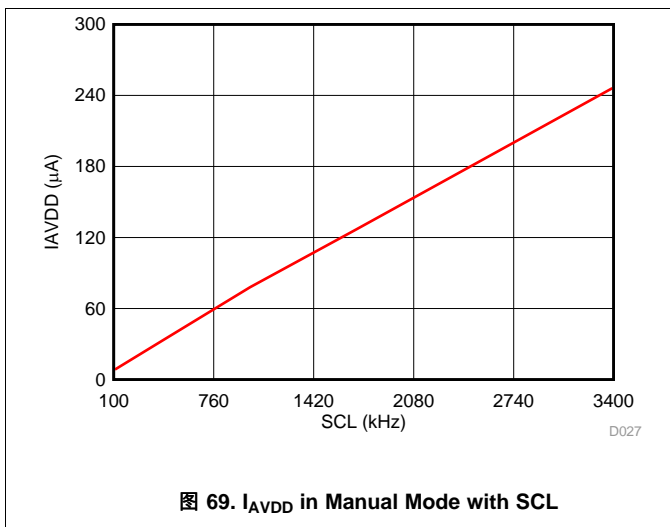


图 69.  $I_{AVDD}$  in Manual Mode with SCL

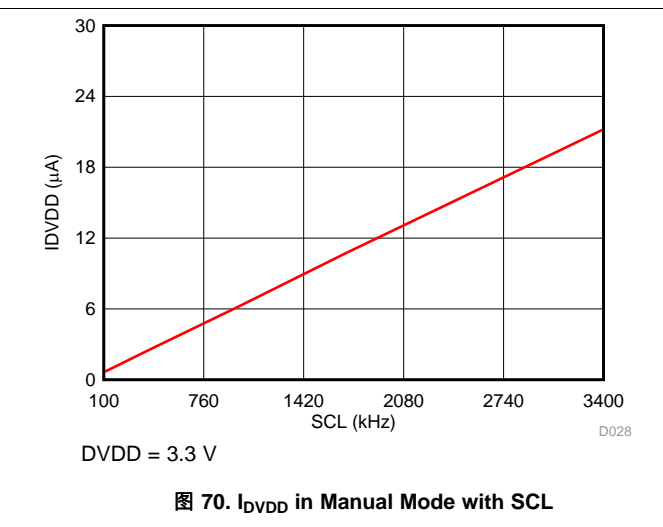
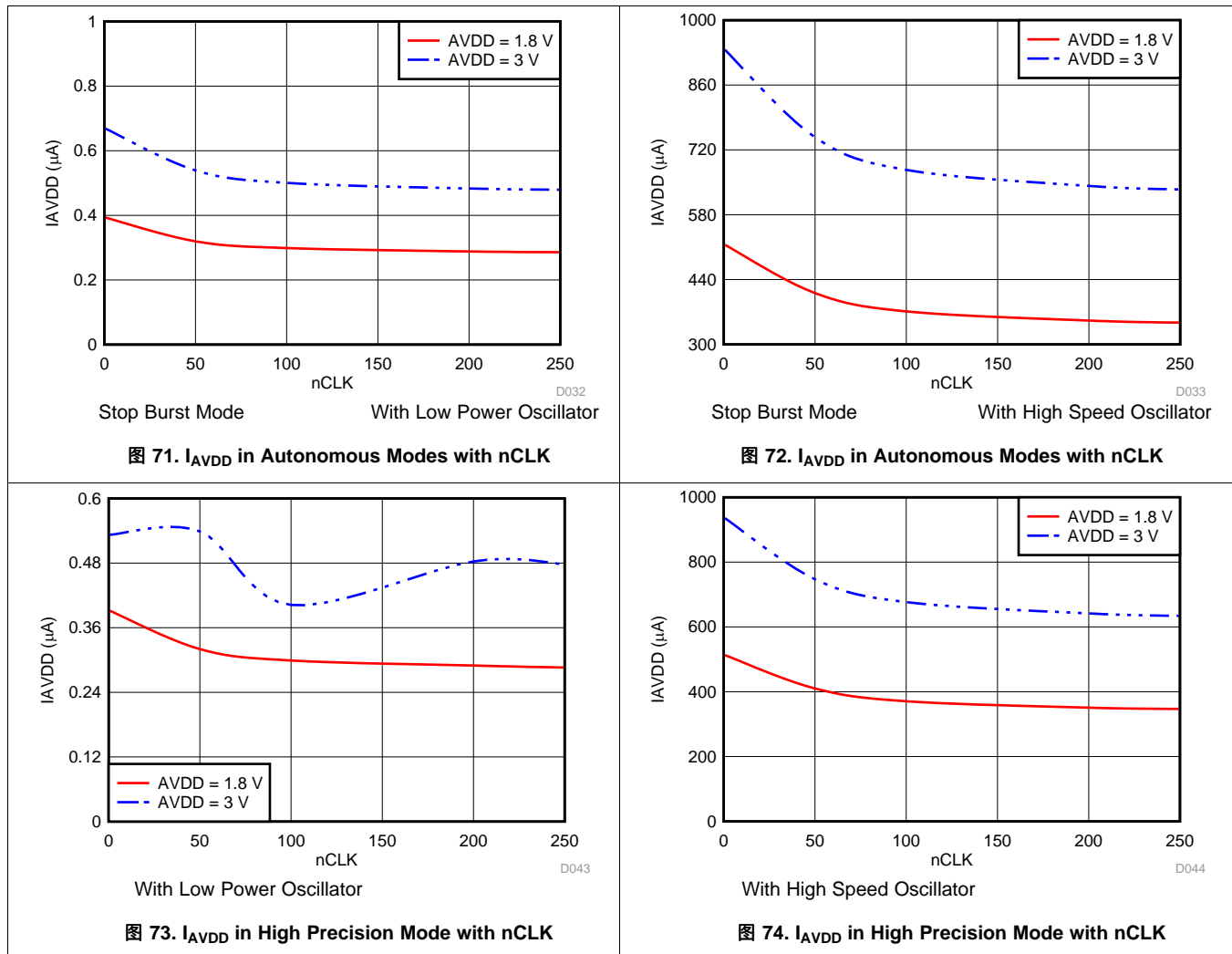


图 70.  $I_{DVDD}$  in Manual Mode with SCL

- In *Autonomous Modes* and *High Precision Mode*, the balance between sampling speed and power consumption can be obtained by selecting the oscillator for conversion and setting the nCLK value. The device sampling speed and power consumption reduce by increasing the nCLK value. Refer to 图 71, 图 72, 图 73 and 图 74 for current consumption in Autonomous modes and High Precision mode with different nCLK values.

Optimizing Power Consumed by the Device (接下页)



## 7.6 Register Map

表 5 provides the list of registers in the device. All the registers reset to their default values on power up and on receiving a *General Call with Software Reset*. (See *Reset* section).

**表 5. Register Map**

S.NO.	ADDRESS	REGISTER NAME	REGISTER DESCRIPTION
<b>RESET REGISTERS</b>			
1	17h	WKEY	Write Key for writing into <a href="#">DEVICE_RESET</a> register
2	14h	<a href="#">DEVICE_RESET</a>	Resets the device
<b>FUNCTIONAL MODE SELECT REGISTERS</b>			
3	15h	<a href="#">OFFSET_CAL</a>	Initiates Internal Offset Calibration Cycle
4	1Ch	<a href="#">OPMODE_SEL</a>	Sets the operation mode and enables auto-sequencing
5	00h	<a href="#">OPMODE_I2CMODE_STATUS</a>	Provides the present Operating Mode and I <sup>2</sup> C mode information
<b>INPUT CONFIG REGISTER</b>			
6	24h	<a href="#">CHANNEL_INPUT_CFG</a>	Configures the analog input channels
<b>ANALOG MUX and SEQUENCER REGISTERS</b>			
7	20h	<a href="#">AUTO_SEQ_CHEN</a>	Enables Auto sequencing for selected channels
8	1Eh	<a href="#">START_SEQUENCE</a>	Starts the channel scanning sequence
9	1Fh	<a href="#">ABORT_SEQUENCE</a>	Aborts the channel scanning sequence
10	04h	<a href="#">SEQUENCE_STATUS</a>	Provides the status of sequence in device
<b>OSCILLATOR and TIMING CONTROL REGISTERS</b>			
11	18h	<a href="#">OSC_SEL</a>	Selects the oscillator for the conversion process
12	19h	<a href="#">nCLK_SEL</a>	Sets the nCLK for the device
<b>DATA BUFFER CONTROL REGISTER</b>			
13	2Ch	<a href="#">DATA_BUFFER_OPMODE</a>	Selects Data Buffer operation mode
14	28h	<a href="#">DOUT_FORMAT_CFG</a>	Configures the data output format for data buffer
15	01h	<a href="#">DATA_BUFFER_STATUS</a>	Provides the present status of Data Buffer
<b>ACCUMULATOR CONTROL REGISTERS</b>			
16	30h	<a href="#">ACC_EN</a>	Enables the Accumulator
17	08h	<a href="#">ACC_CH0_LSB</a>	Provides the LSB of accumulated data for CH0 (Read Only)
18	09h	<a href="#">ACC_CH0_MSB</a>	Provides the MSB of accumulated data for CH0 (Read Only)
19	0Ah	<a href="#">ACC_CH1_LSB</a>	Provides the LSB of accumulated data for CH1 (Read Only)
20	0Bh	<a href="#">ACC_CH1_MSB</a>	Provides the MSB of accumulated data for CH1 (Read Only)
21	02h	<a href="#">ACCUMULATOR_STATUS</a>	Provides the present status of Accumulator
<b>DIGITAL WINDOW COMPARATOR REGISTERS</b>			
22	37h	<a href="#">ALERT_DWC_EN</a>	Enables the Alert and Digital Window Comparator block
23	34h	<a href="#">ALERT_CHEN</a>	Enables Alert functionality for individual channels
24	39h	<a href="#">DWC_HTH_CH0_MSB</a>	Sets the MSB for High threshold for CH0
25	38h	<a href="#">DWC_HTH_CH0_LSB</a>	Sets the LSB for High Threshold for CH0
26	3Bh	<a href="#">DWC_LTH_CH0_MSB</a>	Sets the MSB for Low threshold for CH0
27	3Ah	<a href="#">DWC_LTH_CH0_LSB</a>	Sets the LSB for Low threshold for CH0
28	40h	<a href="#">DWC_HYS_CH0</a>	Sets Hysteresis for CH0
29	3Dh	<a href="#">DWC_HTH_CH1_MSB</a>	Sets the MSB for High threshold for CH1
30	3Ch	<a href="#">DWC_HTH_CH1_LSB</a>	Sets the LSB for High threshold for CH1
31	3Fh	<a href="#">DWC_LTH_CH1_MSB</a>	Sets the MSB for Low threshold for CH1
32	3Eh	<a href="#">DWC_LTH_CH1_LSB</a>	Sets the LSB for Low threshold for CH1
33	41h	<a href="#">DWC_HYS_CH1</a>	Sets Hysteresis for CH1
34	36h	<a href="#">PRE_ALT_MAX_EVENT_COUNT</a>	Sets the Pre-Alert Event Counter for both channels
35	03h	<a href="#">ALERT_TRIG_CHID</a>	Provides the channel ID of channel which was first to set the alert output
36	0Ch	<a href="#">ALERT_LOW_FLAGS</a>	Latched flags for Low alert
37	0Eh	<a href="#">ALERT_HIGH_FLAGS</a>	Latched flags for High alert

## 7.6.1 RESET REGISTERS

These registers control the device reset operation (see [Reset](#) section).

### 7.6.1.1 WKEY Register (address = 17h), [reset = 00h]

A write to this register enables write access to the DEVICE\_RESET register.

注

WKEY register is not reset to default value on device reset (see [Reset](#) section). After coming out of device reset, write 00h to the WKEY register to prevent erroneous reset.

图 75. WKEY Register

7	6	5	4	3	2	1	0
0	0	0	0	KEYWORD[3:0]			
R-0b	R-0b	R-0b	R-0b	R/W-0000b			

LEGEND: R/W = Read/Write; R = Read only; -n = value after reset

表 6. WKEY Register Field Descriptions

Bit	Field	Type	Reset	Description
7-4	RESERVED	R	0000b	Reserved Bits. Do not write. Read returns 0000b
3-0	KEYWORD[3:0]	R/W	0000b	Write 1010b into these bits to get write access for the DEVICE_RESET register.

### 7.6.1.2 DEVICE\_RESET Register (address = 14h), [reset = 00h]

A write to this register resets the device (see [Reset](#) section).

注

KEYWORD[3:0] bits in the [WKEY](#) register must be programmed to 1010b to enable write into the DEVICE\_RESET register.

图 76. DEVICE\_RESET Register

7	6	5	4	3	2	1	0
0	0	0	0	0	0	0	DEV_RST
R-0b	R-0b	R-0b	R-0b	R-0b	R-0b	R-0b	W-0b

LEGEND: R/W = Read/Write; R = Read only; W = Write only; -n = value after reset

表 7. DEVICE\_RESET Register Field Descriptions

Bit	Field	Type	Reset	Description
7-1	RESERVED	R	0000000b	Reserved Bits. Read returns 0000000b
0	DEV_RST	W	0b	Writing 1 into this bit resets the device.

## 7.6.2 FUNCTIONAL MODE SELECT REGISTERS

These set of registers select the functional mode of the device.

### 7.6.2.1 OFFSET\_CAL Register (address = 15h), [reset = 00h]

Write to this register initiates internal offset calibration cycle (see [Offset Calibration](#)).

图 77. OFFSET\_CAL Register

7	6	5	4	3	2	1	0
0	0	0	0	0	0	0	TRIG_OFFCAL
R-0b	R-0b	R-0b	R-0b	R-0b	R-0b	R-0b	W-0b

LEGEND: R/W = Read/Write; R = Read only; W = Write only; -n = value after reset

表 8. OFFSET\_CAL Register Field Descriptions

Bit	Field	Type	Reset	Description
7-1	RESERVED	R	0000000b	Reserved Bits. Read returns 0000000b
0	TRIG_OFFCAL	W	0b	Writing 1 into this bit triggers internal offset calibration.

### 7.6.2.2 OPMODE\_SEL Register (address = 1Ch), [reset = 00h]

Write to this register sets the [Operation Mode](#) of the device.

图 78. OPMODE\_SEL Register

7	6	5	4	3	2	1	0
0	0	0	0	0	SEL_OPMODE[2:0]		
R-0b	R-0b	R-0b	R-0b	R-0b	R/W-000b		

LEGEND: R/W = Read/Write; R = Read only; -n = value after reset

表 9. OPMODE\_SEL Register Field Descriptions

Bit	Field	Type	Reset	Description
7-3	RESERVED	R	00000b	Reserved Bits. Read returns 00000b
2-0	SEL_OPMODE[2:0]	R/W	000b	These bits set the functional mode for the device 000b = <a href="#">Manual Mode</a> with CH0 only. (Default Mode). 001b = Same as 000b. 010b = Reserved, Do not use. 011b = Reserved, Do not use. 100b = <a href="#">Manual Mode</a> with AUTO Sequencing enabled. 101b = <a href="#">Manual Mode</a> with AUTO Sequencing enabled. 110b = <a href="#">Autonomous Monitoring Mode</a> with AUTO Sequencing enabled. 111b = <a href="#">High Precision Mode</a> with AUTO Sequencing enabled.

**7.6.2.3 OPMODE\_I2CMODE\_STATUS Register (address = 00h), [reset = 00h]**

This register provides the present operation mode and I<sup>2</sup>C mode information (Read Only).

**图 79. OPMODE\_I2CMODE\_STATUS Register**

7	6	5	4	3	2	1	0
0	0	0	0	0	HS_MODE	DEV_OPMODE[1:0]	
R-0b	R-0b	R-0b	R-0b	R-0b	R-0b	R-00b	

LEGEND: R/W = Read/Write; R = Read only; -n = value after reset

**表 10. OPMODE\_I2CMODE\_STATUS Register Field Descriptions**

Bit	Field	Type	Reset	Description
7-3	RESERVED	R	00000b	Reserved bits. Reads return 00000b.
2	HS_MODE	R	0b	Indicates when device in High speed mode for I <sup>2</sup> C Interface. 0b = Device is not in High speed mode for I <sup>2</sup> C Interface. 1b = Device is in High speed mode for I <sup>2</sup> C Interface.
1-0	DEV_OPMODE[1:0]	R	00b	Indicates the functional mode of the device. 00b = Device is operating in <a href="#">Manual Mode</a> 01b = Not Used 10b = Device is operating in <a href="#">Autonomous Monitoring Mode</a> 11b = Device is operating in <a href="#">High Precision Mode</a>

**7.6.3 INPUT CONFIG REGISTER**

This register configures the analog input pins of the device (see [Analog Input and Multiplexer](#)).

**7.6.3.1 CHANNEL\_INPUT\_CFG Register (address = 24h), [reset = 00h]**

Write to this register configures the analog input channels. .

**图 80. CHANNEL\_INPUT\_CFG Register**

7	6	5	4	3	2	1	0
0	0	0	0	0	0	CH0_CH1_IP_CFG[1:0]	
R-0b	R-0b	R-0b	R-0b	R-0b	R-0b	R/W-00b	

LEGEND: R/W = Read/Write; R = Read only; -n = value after reset

**表 11. CHANNEL\_INPUT\_CFG Register Field Descriptions**

Bit	Field	Type	Reset	Description
7-2	RESERVED	R	000000b	Reserved Bits. Read returns 000000b
1-0	CH0_CH1_IP_CFG[1:0]	R/W	00b	Selects configuration for the input pins 00b = <a href="#">Two-Channel, Single-Ended</a> configuration 01b = <a href="#">Single-Channel, Single-Ended</a> configuration with Remote Ground Sensing 10b = <a href="#">Single-Channel, Pseudo-Differential</a> configuration 11b = <a href="#">Two-Channel, Single-Ended</a> configuration

## 7.6.4 ANALOG MUX and SEQUENCER REGISTERS

These registers configure the analog multiplexer and channel sequencing.

### 7.6.4.1 AUTO\_SEQ\_CHEN Register (address = 20h), [reset = 03h]

This register selects the channels that are scanned when Auto-Sequencing is enabled. By default, both channels are selected at power up.

**图 81. AUTO\_SEQ\_CHEN Register**

7	6	5	4	3	2	1	0
0	0	0	0	0	0	AUTOSEQ_EN_CH1	AUTOSEQ_EN_CH0
R-0b	R-0b	R-0b	R-0b	R-0b	R-0b	R/W-1b	R/W-1b

LEGEND: R/W = Read/Write; R = Read only; -n = value after reset

**表 12. AUTO\_SEQ\_CHEN Register Field Descriptions**

Bit	Field	Type	Reset	Description
7-2	RESERVED	R	000000b	Reserved Bits. Read returns 000000b
1	AUTO_SEQ_CH1	R/W	1b	0 = Channel 1 is not selected for auto sequencing 1 = Channel 1 is selected for auto sequencing
0	AUTO_SEQ_CH0	R/W	1b	0 = Channel 0 is not selected for auto sequencing 1 = Channel 0 is selected for auto sequencing

### 7.6.4.2 START\_SEQUENCE Register (address = 1Eh), [reset = 00h]

A write to this register starts the channel scanning sequence.

**图 82. START\_SEQUENCE Register**

7	6	5	4	3	2	1	0
0	0	0	0	0	0	0	SEQ_START
R-0b	R-0b	R-0b	R-0b	R-0b	R-0b	R-0b	W-0b

LEGEND: R/W = Read/Write; R = Read only; -n = value after reset

**表 13. START\_SEQUENCE Register Field Descriptions**

Bit	Field	Type	Reset	Description
7-1	RESERVED	R	0000000b	Reserved Bits. Read returns 0000000b
0	SEQ_START	W	0b	Setting this bit = 1 brings the BUSY/ $\overline{\text{RDY}}$ pin high and starts the first conversion in the sequence

**7.6.4.3 ABORT\_SEQUENCE Register (address = 1Fh), [reset = 00h]**

A write to this register aborts the channel scanning sequence. Once sequence is aborted using this register, it is recommended to read the [DATA\\_BUFFER\\_STATUS](#) register to know the number of entries filled in the data buffer or [ACCUMULATOR\\_STATUS](#) register to know number of accumulations finished before the abort.

**图 83. ABORT\_SEQUENCE Register**

7	6	5	4	3	2	1	0
0	0	0	0	0	0	0	SEQ_ABORT
R-0b	R-0b	R-0b	R-0b	R-0b	R-0b	R-0b	W-0b

LEGEND: R/W = Read/Write; R = Read only; -n = value after reset

**表 14. ABORT\_SEQUENCE Register Field Descriptions**

Bit	Field	Type	Reset	Description
7-1	RESERVED	R	0000000b	Reserved Bits. Read returns 0000000b
0	SEQ_ABORT	W	0b	Setting this bit = 1 aborts the ongoing conversion and brings the BUSY/RDY pin low

**7.6.4.4 SEQUENCE\_STATUS Register (address = 04h), [reset = 00h]**

Provides the status of sequence in device (Read Only).

This register is cleared at power-up, on receiving general call reset, on device reset or when SEQ\_START bit in START\_SEQUENCE register is set to 1.

**图 84. SEQUENCE\_STATUS Register**

7	6	5	4	3	2	1	0
0	0	0	0	0	SEQ_ERR_ST[1:0]		0
R-0b	R-0b	R-0b	R-0b	R-0b	R-00b		R-0b

LEGEND: R/W = Read/Write; R = Read only; -n = value after reset

**表 15. SEQUENCE\_STATUS Register Field Descriptions**

Bit	Field	Type	Reset	Description
7-3	RESERVED	R	00000b	Reserved bits. Reads return 00000b.
2-1	SEQ_ERR_ST[1:0]	R	00b	Status of device sequence 00b = Auto Sequencing disabled, no error. 01b = Auto Sequencing enabled, no error. 10b = Not used 11b = Auto Sequencing enabled, device in error.
0	0	R	0b	Reserved bit. Reads return 0.

## 7.6.5 OSCILLATOR and TIMING CONTROL REGISTERS

These registers select the oscillator used for the conversion process and cycle time for a single conversion (see [Oscillator and Timing Control](#) section).

### 7.6.5.1 OSC\_SEL Register (address = 18h), [reset = 00h]

A write to this register selects the oscillator used for the conversion process.

图 85. OSC\_SEL Register

7	6	5	4	3	2	1	0
0	0	0	0	0	0	0	HSZ_LP
R-0b	R-0b	R-0b	R-0b	R-0b	R-0b	R-0b	R/W-0b

LEGEND: R/W = Read/Write; R = Read only; -n = value after reset

表 16. OSC\_SEL Register Field Descriptions

Bit	Field	Type	Reset	Description
7-1	RESERVED	R	0000000b	Reserved Bits. Read returns 0000000b
0	HSZ_LP	R/W	0b	0b = Device uses High Speed Oscillator 1b = Device uses Low Power Oscillator

### 7.6.5.2 nCLK\_SEL Register (address = 19h), [reset = 00h]

This register controls the cycle time for a single conversion by setting the nCLK parameter. nCLK is the number of clocks of the selected oscillator that the device uses for one conversion cycle.

图 86. nCLK\_SEL Register

7	6	5	4	3	2	1	0
nCLK[7:0]							
R/W-0000000b							

LEGEND: R/W = Read/Write; R = Read only; -n = value after reset

表 17. nCLK\_SEL Register Field Descriptions

Bit	Field	Type	Reset	Description
7-0	nCLK[7:0]	R/W	0000000b	Sets number of clocks of the oscillator that the device uses for one conversion cycle. When using the High Speed Oscillator: For Value x written into the nCLK register <ul style="list-style-type: none"> <li>if <math>x \leq 21</math>, nCLK is set to 21 (00010101b)</li> <li>if <math>x &gt; 21</math>, nCLK is set to x</li> </ul> When using the Low Power Oscillator, For Value x written into the nCLK register: <ul style="list-style-type: none"> <li>if <math>x \leq 18</math>, nCLK is set to 18 (00010010b)</li> <li>if <math>x &gt; 18</math>, nCLK is set to x</li> </ul>

## 7.6.6 DATA BUFFER CONTROL REGISTER

This register controls the operation of the Data Buffer (see [Data Buffer](#) section).

### 7.6.6.1 DATA\_BUFFER\_OPMODE Register (address = 2Ch), [reset = 01h]

A write to this register selects the operation mode of the Data Buffer.

**图 87. DATA\_BUFFER\_OPMODE Register**

7	6	5	4	3	2	1	0
0	0	0	0	0	STARTSTOP_CNTRL[2:0]		
R-0b	R-0b	R-0b	R-0b	R-0b	R/W-001b		

LEGEND: R/W = Read/Write; R = Read only; -n = value after reset

**表 18. DATA\_BUFFER\_OPMODE Register Field Descriptions**

Bit	Field	Type	Reset	Description
7-3	RESERVED	R	00000b	Reserved Bits. Read returns 00000b
2-0	STARTSTOP_CNTRL [2:0]	R/W	001b	000b = <a href="#">Stop Burst Mode</a> 001b = <a href="#">Start Burst Mode</a> , default 010b = Reserved, do not use 011b = Reserved, do not use 100b = <a href="#">Pre Alert Data Mode</a> 101b = Reserved, do not use 110b = <a href="#">Post Alert Data Mode</a> 111b = Reserved, do not use

### 7.6.6.2 DOUT\_FORMAT\_CFG Register (address = 28h), [reset = 00h]

This register controls the 16-bit contents of the data word in the data buffer.

**图 88. DOUT\_FORMAT\_CFG Register**

7	6	5	4	3	2	1	0
0	0	0	0	0	0	DOUT_FORMAT[1:0]	
R-0b	R-0b	R-0b	R-0b	R-0b	R-0b	R/W-00b	

LEGEND: R/W = Read/Write; R = Read only; -n = value after reset

**表 19. DOUT\_FORMAT\_CFG Register Field Descriptions**

Bit	Field	Type	Reset	Description
7-2	RESERVED	R	000000b	Reserved Bits. Read returns 000000b
1-0	DOUT_FORMAT[1:0]	R/W	00b	00b = 12-bit conversion result followed by 0000b 01b = 12-bit conversion result followed by 3-bit Channel ID (000b for CH0, 001b for CH1) 10b = 12-bit conversion result followed by 3-bit Channel ID (000b for CH0, 001b for CH1) followed by DATA_VALID bit 11b = 12-bit conversion result followed by 0000b

**7.6.6.3 DATA\_BUFFER\_STATUS Register (address = 01h), [reset = 00h]**

Provides the number of entries filled in the data buffer till last conversion. (Read Only).

This register is cleared at power-up, on receiving general call reset, on device reset or when SEQ\_START bit in START\_SEQUENCE register is set to 1.

**图 89. DATA\_BUFFER\_STATUS Register**

7	6	5	4	3	2	1	0
0	0	0	DATA_WORDCOUNT[4:0]				
R-0b	R-0b	R-0b	R-00000b				

LEGEND: R/W = Read/Write; R = Read only; -n = value after reset

**表 20. DATA\_BUFFER\_STATUS Register Field Descriptions**

Bit	Field	Type	Reset	Description
7-5	RESERVED	R	000b	Reserved Bits. Read returns 000b
4-0	DATA_WORDCOUNT [4:0]	R	00000b	DATA_WORDCOUNT [00000] to [10000] = Number of entries filled in data buffer (0 to 16)

## 7.6.7 ACCUMULATOR CONTROL REGISTERS

These registers control the operation of the Accumulator (see [Accumulator](#) section).

### 7.6.7.1 ACC\_EN Register (address = 30h), [reset = 00h]

This register enables the accumulator.

图 90. ACC\_EN Register

7	6	5	4	3	2	1	0
0	0	0	0	EN_ACC[3:0]			
R-0b	R-0b	R-0b	R-0b	R/W-0000b			

LEGEND: R/W = Read/Write; R = Read only; -n = value after reset

表 21. ACC\_EN Register Field Descriptions

Bit	Field	Type	Reset	Description
7-4	RESERVED	R	0000b	Reserved Bits. Read returns 0000b
3-0	EN_ACC[3:0]	R/W	0000b	0000b = Accumulator is disabled 0001b to 1110b = Reserved, do not use 1111b = Accumulator is enabled

### 7.6.7.2 ACC\_CH0\_LSB Register (address = 08h), [reset = 00h]

Provides the LSB of accumulated data for CH0 (Read Only).

This register is cleared at power-up, on receiving general call reset, on device reset or when SEQ\_START bit in START\_SEQUENCE register is set to 1.

图 91. ACC\_CH0\_LSB Register

7	6	5	4	3	2	1	0
CH0_LSB[7:0]							
R-00000000b							

LEGEND: R/W = Read/Write; R = Read only; -n = value after reset

表 22. ACC\_CH0\_LSB Register Field Descriptions

Bit	Field	Type	Reset	Description
7-0	CH0_LSB[7:0]	R	00000000b	LSB of accumulated data for CH0

### 7.6.7.3 ACC\_CH0\_MSB Register (address = 09h), [reset = 00h]

Provides the MSB of accumulated data for CH0 (Read Only).

This register is cleared at power-up, on receiving general call reset, on device reset or when SEQ\_START bit in START\_SEQUENCE register is set to 1.

图 92. ACC\_CH0\_MSB Register

7	6	5	4	3	2	1	0
CH0_MSB[7:0]							
R-00000000b							

LEGEND: R/W = Read/Write; R = Read only; -n = value after reset

表 23. ACC\_CH0\_MSB Register Field Descriptions

Bit	Field	Type	Reset	Description
7-0	CH0_MSB[7:0]	R	00000000b	MSB of accumulated data for CH0

**7.6.7.4 ACC\_CH1\_LSB Register (address = 0Ah), [reset = 00h]**

Provides the LSB of accumulated data for CH1 (Read Only).

This register is cleared at power-up, on receiving general call reset, on device reset or when SEQ\_START bit in START\_SEQUENCE register is set to 1.

**图 93. ACC\_CH1\_LSB Register**

7	6	5	4	3	2	1	0
CH1_LSB[7:0]							
R-00000000b							

LEGEND: R/W = Read/Write; R = Read only; -n = value after reset

**表 24. ACC\_CH1\_LSB Register Field Descriptions**

Bit	Field	Type	Reset	Description
7-0	CH1_LSB[7:0]	R	00000000b	LSB of accumulated data for CH1

**7.6.7.5 ACC\_CH1\_MSB Register (address = 0Bh), [reset = 00h]**

Provides the MSB of accumulated data for CH1 (Read Only).

This register is cleared at power-up, on receiving general call reset, on device reset or when SEQ\_START bit in START\_SEQUENCE register is set to 1.

**图 94. ACC\_CH1\_MSB Register**

7	6	5	4	3	2	1	0
CH1_MSB[7:0]							
R-00000000b							

LEGEND: R/W = Read/Write; R = Read only; -n = value after reset

**表 25. ACC\_CH1\_MSB Register Field Descriptions**

Bit	Field	Type	Reset	Description
7-0	CH1_MSB[7:0]	R	00000000b	MSB of accumulated data for CH1

**7.6.7.6 ACCUMULATOR\_STATUS Register (address = 02h), [reset = 00h]**

Provides the present status of Accumulator (Read Only).

This register is cleared at power-up, on receiving general call reset, on device reset or when SEQ\_START bit in START\_SEQUENCE register is set to 1.

**图 95. ACCUMULATOR\_STATUS Register**

7	6	5	4	3	2	1	0
0	0	0	0	ACC_COUNT[3:0]			
R-0b	R-0b	R-0b	R-0b	R-0000b			

LEGEND: R/W = Read/Write; R = Read only; -n = value after reset

**表 26. ACCUMULATOR\_STATUS Register Field Descriptions**

Bit	Field	Type	Reset	Description
7-4	RESERVED	R	0000b	Reserved Bits. Read returns 0000b
3-0	ACC_COUNT[3:0]	R	0000b	ACC_COUNT = Number of accumulation completed till last finished conversion.

## 7.6.8 DIGITAL WINDOW COMPARATOR REGISTERS

These registers control the operation of the Digital Window Comparator (see [Digital Window Comparator](#) section).

### 7.6.8.1 ALERT\_DWC\_EN Register (address = 37h), [reset = 00h]

Write to this register enables the Alert and Digital Window Comparator block.

图 96. ALERT\_DWC\_EN Register

7	6	5	4	3	2	1	0
0	0	0	0	0	0	0	DWC_BLOCK_EN
R-0b	R-0b	R-0b	R-0b	R-0b	R-0b	R-0b	R/W-0b

LEGEND: R/W = Read/Write; R = Read only; -n = value after reset

表 27. ALERT\_DWC\_EN Register Field Descriptions

Bit	Field	Type	Reset	Description
7-1	RESERVED	R	0000000b	Reserved Bits. Read returns 0000000b
0	DWC_BLOCK_EN	R/W	0b	0 = Disables Digital Window Comparator 1 = Enables Digital Window Comparator

### 7.6.8.2 ALERT\_CHEN (address = 34h), [reset = 00h]

This register enables Alert functionality for individual channels.

图 97. ALERT\_CHEN Register

7	6	5	4	3	2	1	0
0	0	0	0	0	0	ALERT_EN_C H1	ALERT_EN_C H0
R-0b	R-0b	R-0b	R-0b	R-0b	R-0b	R/W-1b	R/W-1b

LEGEND: R/W = Read/Write; R = Read only; -n = value after reset

表 28. ALERT\_CHEN Register Field Descriptions

Bit	Field	Type	Reset	Description
7-2	RESERVED	R	0000000b	Reserved Bits. Read returns 0000000b
1	ALERT_EN_CH1	R/W	0b	Enables alert functionality for CH1 0b = Alert is disabled for CH1, default 1b = Alert is enabled for CH1
0	ALERT_EN_CH0	R/W	0b	Enables alert functionality for CH0 0b = Alert is disabled for CH0, default 1b = Alert is enabled for CH0

### 7.6.8.3 DWC\_HTH\_CH0\_MSB Register (address = 39h), [reset = 00h]

This register sets the four most significant bits of high threshold for CH0.

图 98. DWC\_HTH\_CH0\_MSB Register

7	6	5	4	3	2	1	0
0	0	0	0	HTH_CH0_MSB[3:0]			
R-0b	R-0b	R-0b	R-0b	R/W-0000b			

LEGEND: R/W = Read/Write; R = Read only; -n = value after reset

表 29. DWC\_HTH\_CH0\_LSB Register Field Descriptions

Bit	Field	Type	Reset	Description
7-4	RESERVED	R	0000b	Reserved Bits. Read returns 0000b
3-0	HTH_CH0_MSB[3:0]	R/W	0000b	4 most significant bits of high threshold for CH0

**7.6.8.4 DWC\_HTH\_CH0\_LSB Register (address = 38h), [reset = 00h]**

This register sets the eight least significant bits of high threshold for CH0.

**图 99. DWC\_HTH\_CH0\_LSB Register**

7	6	5	4	3	2	1	0
HTH_CH0_LSB[7:0]							
R/W-00000000b							

LEGEND: R/W = Read/Write; R = Read only; -n = value after reset

**表 30. DWC\_HTH\_CH0\_LSB Register Field Descriptions**

Bit	Field	Type	Reset	Description
7-0	HTH_CH0_LSB[7:0]	R/W	00000000b	8 least significant bits of high threshold for CH0

**7.6.8.5 DWC\_LTH\_CH0\_MSB Register (address = 3Bh), [reset = 00h]**

This register sets the four most significant bits of low threshold for CH0.

**图 100. DWC\_LTH\_CH0\_MSB Register**

7	6	5	4	3	2	1	0
0	0	0	0	LTH_CH0_MSB[3:0]			
R-0b	R-0b	R-0b	R-0b	R/W-0000b			

LEGEND: R/W = Read/Write; R = Read only; -n = value after reset

**表 31. DWC\_LTH\_CH0\_MSB Register Field Descriptions**

Bit	Field	Type	Reset	Description
7-4	RESERVED	R	0000b	Reserved Bits. Read returns 0000b
3-0	LTH_CH0_MSB[3:0]	R/W	0000b	4 most significant bits of low threshold for CH0

**7.6.8.6 DWC\_LTH\_CH0\_LSB Register (address = 3Ah), [reset = 00h]**

This register sets the eight least significant bits of low threshold for CH0.

**图 101. DWC\_LTH\_CH0\_LSB Register**

7	6	5	4	3	2	1	0
LTH_CH0_LSB[7:0]							
R/W-00000000b							

LEGEND: R/W = Read/Write; R = Read only; -n = value after reset

**表 32. DWC\_LTH\_CH0\_LSB Register Field Descriptions**

Bit	Field	Type	Reset	Description
7-0	LTH_CH0_LSB[7:0]	R/W	00000000b	8 least significant bits of low threshold for CH0

**7.6.8.7 DWC\_HYS\_CH0 (address = 40h), [reset = 00h]**

This register sets the hysteresis for both comparators for CH0.

**图 102. DWC\_HYS\_CH0 Register**

7	6	5	4	3	2	1	0
0	0	HYS_CH0[5:0]					
R-0b		R-0b		R/W-000000b			

LEGEND: R/W = Read/Write; R = Read only; -n = value after reset

**表 33. DWC\_HYS\_CH0 Register Field Descriptions**

Bit	Field	Type	Reset	Description
7-6	RESERVED	R	00b	Reserved Bits. Read returns 0000000b
5-0	HYS_CH0[5:0]	R/W	000000b	Hysteresis for both comparators for CH0

**7.6.8.8 DWC\_HTH\_CH1\_MSB Register (address = 3Dh), [reset = 00h]**

This register sets the four most significant bits of high threshold for CH1.

**图 103. DWC\_HTH\_CH1\_MSB Register**

7	6	5	4	3	2	1	0
0	0	0	0	HTH_CH1_MSB[3:0]			
R-0b		R-0b		R-0b		R/W-0000b	

LEGEND: R/W = Read/Write; R = Read only; -n = value after reset

**表 34. DWC\_HTH\_CH1\_LSB Register Field Descriptions**

Bit	Field	Type	Reset	Description
7-4	RESERVED	R	0000b	Reserved Bits. Read returns 0000b
3-0	HTH_CH1_MSB[3:0]	R/W	0000b	4 most significant bits of high threshold for CH1

**7.6.8.9 DWC\_HTH\_CH1\_LSB Register (address = 3Ch), [reset = 00h]**

This register sets the eight least significant bits of high threshold for CH1.

**图 104. DWC\_HTH\_CH1\_LSB Register**

7	6	5	4	3	2	1	0
HTH_CH1_LSB[7:0]							
R/W-00000000b							

LEGEND: R/W = Read/Write; R = Read only; -n = value after reset

**表 35. DWC\_HTH\_CH1\_LSB Register Field Descriptions**

Bit	Field	Type	Reset	Description
7-0	HTH_CH1_LSB[7:0]	R/W	00000000b	8 least significant bits of high threshold for CH1

**7.6.8.10 DWC\_LTH\_CH1\_MSB Register (address = 3Fh), [reset = 00h]**

This register sets the four most significant bits of low threshold for CH1.

**图 105. DWC\_LTH\_CH1\_MSB Register**

7	6	5	4	3	2	1	0
0	0	0	0	LTH_CH1_MSB[3:0]			
R-0b	R-0b	R-0b	R-0b	R/W-0000b			

LEGEND: R/W = Read/Write; R = Read only; -n = value after reset

**表 36. DWC\_LTH\_CH1\_MSB Register Field Descriptions**

Bit	Field	Type	Reset	Description
7-4	RESERVED	R	0000b	Reserved Bits. Read returns 0000b
3-0	LTH_CH1_MSB[3:0]	R/W	0000b	4 most significant bits of low threshold for CH1

**7.6.8.11 DWC\_LTH\_CH1\_LSB Register (address = 3Eh), [reset = 00h]**

This register sets the eight least significant bits of low threshold for CH1.

**图 106. DWC\_LTH\_CH1\_LSB Register**

7	6	5	4	3	2	1	0
LTH_CH1_LSB[7:0]							
R/W-00000000b							

LEGEND: R/W = Read/Write; R = Read only; -n = value after reset

**表 37. DWC\_LTH\_CH1\_LSB Register Field Descriptions**

Bit	Field	Type	Reset	Description
7-0	LTH_CH1_LSB[7:0]	R/W	00000000b	8 least significant bits of low threshold for CH1

**7.6.8.12 DWC\_HYS\_CH1 (address = 41h), [reset = 00h]**

This register sets the hysteresis for both comparators for CH1.

**图 107. DWC\_HYS\_CH1 Register**

7	6	5	4	3	2	1	0
0	0	HYS_CH1[5:0]					
R-0b	R-0b	R/W-000000b					

LEGEND: R/W = Read/Write; R = Read only; -n = value after reset

**表 38. DWC\_HYS\_CH1 Register Field Descriptions**

Bit	Field	Type	Reset	Description
7-6	RESERVED	R	00b	Reserved Bits. Read returns 0000000b
5-0	HYS_CH1[5:0]	R/W	000000b	Hysteresis for both comparators for CH1

**7.6.8.13 PRE\_ALT\_MAX\_EVENT\_COUNT Register (address = 36h), [reset = 00h]**

This register sets the Pre-Alert Event Count for both, high and low comparators, for both the channels.

**图 108. PRE\_ALT\_MAX\_EVENT\_COUNT Register**

7	6	5	4	3	2	1	0
PREALERT_COUNT[3:0]				0	0	0	0
R/W-0000b				R-0b	R-0b	R-0b	R-0b

LEGEND: R/W = Read/Write; R = Read only; -n = value after reset

**表 39. PRE\_ALT\_MAX\_EVENT\_COUNT Register Field Descriptions**

Bit	Field	Type	Reset	Description
7-4	PREALERT_COUNT[3:0]	R/W	0000b	Sets the Pre-Alert Event Count = PREALERT_COUNT[3:0] + 1
3-0	RESERVED	R	0000b	Reserved Bits. Read returns 0000b

**7.6.8.14 ALERT\_TRIG\_CHID Register (address = 03h), [reset = 00h]**

Provides the channel ID of channel which was first to set the alert output (Read Only).

This register is cleared at power-up, on receiving general call reset, on device reset or when SEQ\_START bit in START\_SEQUENCE register is set to 1.

**图 109. ALERT\_TRIG\_CHID Register**

7	6	5	4	3	2	1	0
ALERT_TRIG_CHID[3:0]				0	0	0	0
R-0000b				R-0b	R-0b	R-0b	R-0b

LEGEND: R/W = Read/Write; R = Read only; -n = value after reset

**表 40. ALERT\_TRIG\_CHID Register Field Descriptions**

Bit	Field	Type	Reset	Description
7-4	ALERT_TRIG_CHID[3:0]	R	0000b	Provides the channel ID of channel which was first to set the alert output 0000b = Channel 0 0001b = Channel 1 0010b to 1111b = Not used
3-0	RESERVED	R	0000b	Reserved bits. Reads return 0000b.

**7.6.8.15 ALERT\_LOW\_FLAGS Register (address = 0C), [reset = 00h]**

This register provides the status of latched flags for low alert. All flags are cleared at power up, on general call reset (*General Call with Software Reset*), or by writing FFh to this register. To clear individual alert flag, write 1 to the corresponding bit location. It is recommended to reset the flags when device is not busy (BUSY/RDY pin is low).

**图 110. ALERT\_LOW\_FLAGS Register**

7	6	5	4	3	2	1	0
0	0	0	0	0	0	ALERT_LOW_CH1	ALERT_LOW_CH0
R-0b	R-0b	R-0b	R-0b	R-0b	R-0b	R/W-0b	R/W-0b

LEGEND: R/W = Read/Write; R = Read only; -n = value after reset

**表 41. ALERT\_LOW\_FLAGS Register Field Descriptions**

Bit	Field	Type	Reset	Description
7-2	RESERVED	R	000000b	Reserved Bits. Read returns 000000b
1	ALERT_LOW_CH1	R/W	0b	Indicates alert on low side comparator for CH1 0b = Alert is not set for low side comparator for CH1 1b = Alert is set for low side comparator for CH1.
0	ALERT_LOW_CH0	R/W	0b	Indicates alert on low side comparator for CH0 0b = Alert is not set for low side comparator for CH0 1b = Alert is set for low side comparator for CH0.

**7.6.8.16 ALERT\_HIGH\_FLAGS Register (address = 0Eh), [reset = 00h]**

This register provides the status of latched flags for high alert. All flags are cleared at power up, on general call reset (*General Call with Software Reset*), or by writing FFh to this register. To clear individual alert flag, write 1 to the corresponding bit location. It is recommended to reset the flags when device is not busy (BUSY/RDY pin is low).

**图 111. ALERT\_HIGH\_FLAGS Register**

7	6	5	4	3	2	1	0
0	0	0	0	0	0	ALERT_HIGH_CH1	ALERT_HIGH_CH0
R-0b	R-0b	R-0b	R-0b	R-0b	R-0b	R/W-0b	R/W-0b

LEGEND: R/W = Read/Write; R = Read only; -n = value after reset

**表 42. ALERT\_HIGH\_FLAGS Register Field Descriptions**

Bit	Field	Type	Reset	Description
7-2	RESERVED	R	000000b	Reserved Bits. Read returns 000000b
1	ALERT_HIGH_CH1	R/W	0b	Indicates alert on high side comparator for CH1 0b = Alert is not set for high side comparator for CH1 1b = Alert is set for high side comparator for CH1.
0	ALERT_HIGH_CH0	R/W	0b	Indicates alert on high side comparator for CH0 0b = Alert is not set for high side comparator for CH0 1b = Alert is set for high side comparator for CH0.

## 8 Application and Implementation

### 注

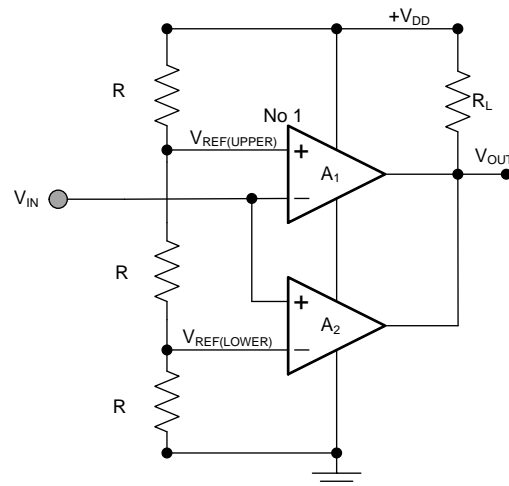
Information in the following applications sections is not part of the TI component specification, and TI does not warrant its accuracy or completeness. TI's customers are responsible for determining suitability of components for their purposes. Customers should validate and test their design implementation to confirm system functionality.

### 8.1 Application Information

In an increasing number of industrial applications, data acquisition sub-systems are collecting more data about the environment in which the system is operating and applying deep learning algorithms in order to improve system reliability, implement preventative maintenance, and/or enhance the quality of data collected by the system. The ADS7142 can be used to connect to a variety of sensors and can provide deeper data analytics at lower power levels than existing solutions. The depth of analysis that can be performed on the data collected by the ADS7142 is enhanced by the internal data buffer, programmable alarm thresholds and hysteresis, event counter, and internal calibration circuitry. The applications circuits described in this section highlight specific use-cases of the ADS7142 for data collection that can further increase the depth and quality of the data being measured by the system.

### 8.2 Typical Applications

#### 8.2.1 ADS7142 as a Programmable Comparator with False Trigger Prevention and Diagnostics



Copyright © 2017, Texas Instruments Incorporated

图 112. Analog Window Comparator

##### 8.2.1.1 Design Requirements

In many applications such as industrial alarms, sensor monitors, and level sensors, there is a need to make a decision at the system-level when the input signal crosses a predefined threshold. Analog window comparators are being used extensively in such applications.

An analog window comparator has a set of comparators. The external input signal is connected to the inverting terminal of one comparator and the noninverting terminal of the other comparator. The remaining input of each comparator is connected to the internal reference. The outputs are tied together and are often connected to a reset or general-purpose input of a processor (such as a digital signal processor, field-programmable gate array, or application-specific integrated circuit) or the enable input of a voltage regulator (such as a DC-DC or low-dropout regulator). 图 112 shows the circuit diagram for an analog window comparator.

## Typical Applications (接下页)

Though analog comparators are easy to design, there are certain disadvantages associated with analog comparators.

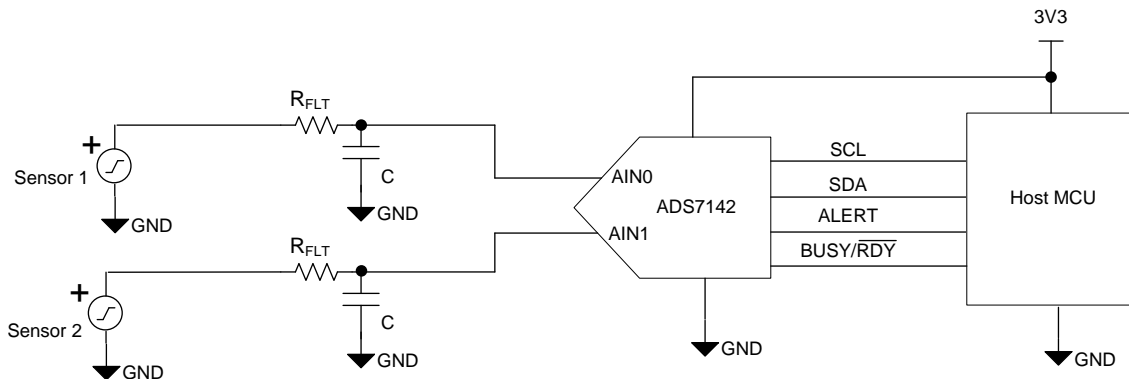
### 8.2.1.1.1 Higher Power Consumption

If the voltage that is monitored is greater than the window comparator supply voltage, then there is a need for a resistive divider ladder to scale down that voltage. This resistive ladder draws a constant current and adds to the power consumption of the system. In battery powered applications, this becomes a challenge and can adversely affect the battery life.

### 8.2.1.1.2 Fixed Threshold Voltages

The window comparator thresholds cannot be changed on-the-fly since these are set by hardware (typically with a resistive ladder). This may add a limitation if the user wants to change the comparator thresholds during operation without switching in a new resistor ladder.

Many applications in the field of preventive maintenance, building automation, and Internet of Things (IoT) require a sensor monitor which operates autonomously and gives an alert/interrupt to the host MCU only when the sensor output crosses a predefined, programmable threshold. Typically battery-operated, wireless sensor nodes like smoke detectors, temperature monitors, ambient light sensors, proximity sensors and gas sensors fall under this category. The ADS7142 is an excellent fit for such sensor monitoring systems due to its ability to autonomously monitor sensor output and wake up the host controller whenever the sensor output crosses predefined thresholds. Additionally, the ADS7142 has an internal data buffer which can store 16 sample data which the user can read if further analysis is required. 图 113 shows typical block diagram of ADS7142 as sensor monitor. As is shown in 图 113, the sensor can be connected directly to the input of the ADC (depending on the sensor output signal characteristics).



Copyright © 2017, Texas Instruments Incorporated

图 113. Sensor Monitor Circuit with ADS7142

## Typical Applications (接下页)

### 8.2.1.2 Detailed Design Procedure

#### 8.2.1.2.1 Programmable Thresholds and Hysteresis

The ADS7142 can be programmed to monitor sensor output voltages and generate an ALERT signal for the host controller if the sensor output voltage crosses a threshold.

The device can be configured to monitor for signals rising above a programmed threshold. 图 114 illustrates the operation of the device when monitoring for signal crossings on the low threshold by setting the high threshold to 0xFFFF. In this example, the output of the low-side comparator is set whenever the ADC conversion result is less than or equal to the low threshold, and the output of the high-side comparator is only set when the ADC conversion result is equal to 0xFFFF.

The device can also be configured to monitor for signals falling below a programmed threshold. 图 115 illustrates the operation of the device when monitoring for signal crossings on the high threshold by setting the low threshold to 0x000. In this example, the output of high-side comparator is set whenever the ADC conversion result is greater than or equal to the high threshold and the output of the low-side comparator is only set when the ADC conversion result is equal to 0x000.

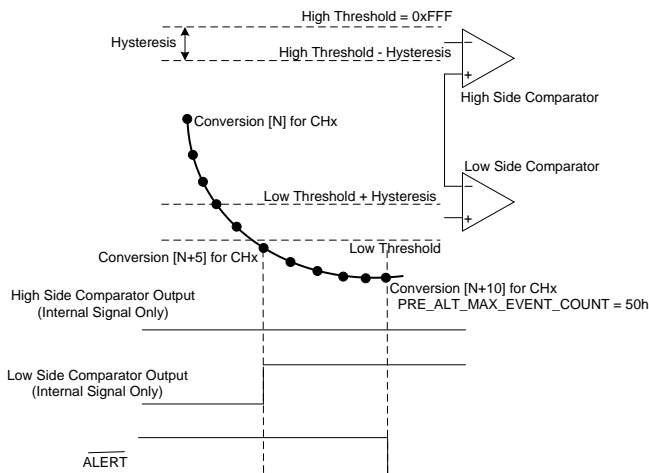


图 114. Low Alert with ADS7142

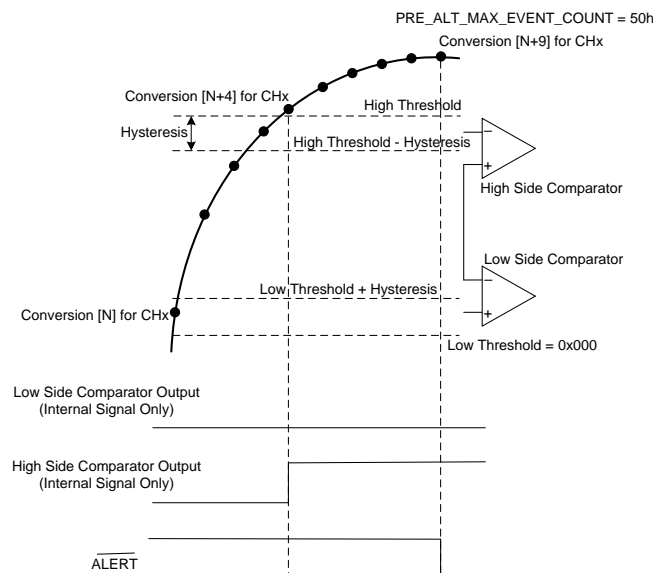


图 115. High Alert with ADS7142

The device can also be configured to monitor for signals falling outside of a programmed window. 图 116 illustrates the operation of the device for an out-of-range alert where the signal leaves the pre-defined window and crosses either the high or low threshold. In this example, the output of low side comparator is set whenever the ADC conversion result is less than or equal to the low threshold, and the output of high side comparator is set when the ADC conversion result is greater than or equal to the high threshold.

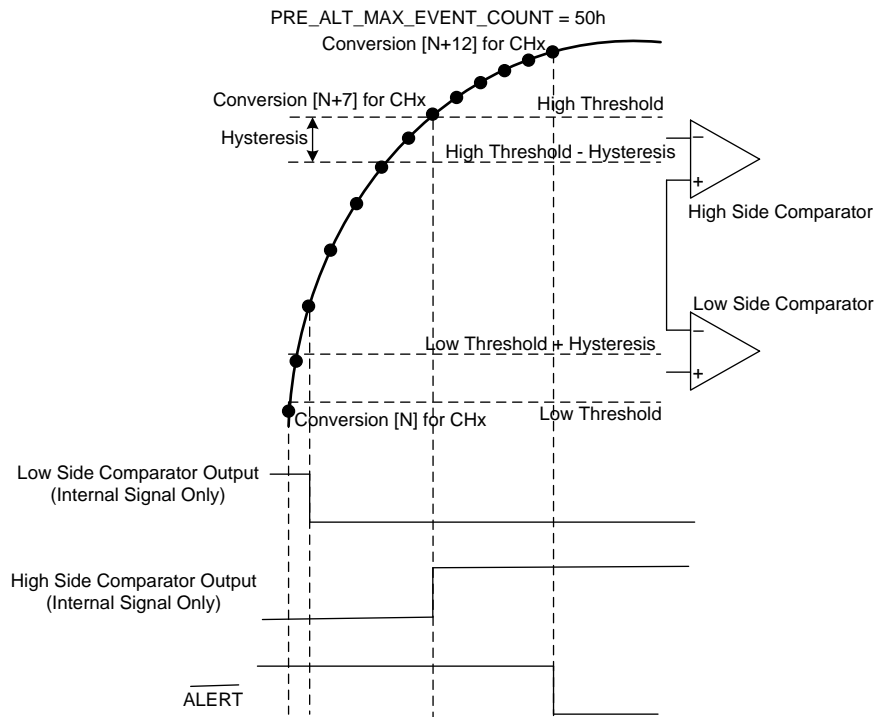


图 116. Out of Range Alert with ADS7142

### 8.2.1.2.2 False Trigger Prevention with Event Counter

The Pre-Alert event counter in the *Digital Window Comparator* helps to prevent false triggers. The alert output is not set until the output of the comparator remains set for a pre-defined number (count) of consecutive conversions.

### 8.2.1.2.3 Fault Diagnostics with Data Buffer

The modes which are specifically designed for autonomous sensor monitor applications are Pre-Alert mode and Post-Alert mode. In Pre-Alert mode, the ADS7142 can be configured to monitor sensor outputs and continuously fill the internal data buffer until a threshold crossing occurs. The ADS7142 generates an ALERT signal when the sensor output falls outside of the predefined window of operation. In this particular mode, the ADS7142 stops filling the data buffer when the threshold is crossed and provides the last 16 samples (15 sample data preceding the sample at which the ALERT is generated and 1 sample data for which the ALERT is generated). 图 117 shows the ADS7142 operation in Pre-Alert mode showing 16 data samples before the sensor output crosses the low threshold. This is useful for applications where the state of the signal before the threshold is crossed is important to capture. Using the data captured before the alert, deep data analysis can be performed to determine the state of the system before the alert. This type of data is not available with analog comparators.

In Post-Alert mode, ADS7142 can be configured to monitor sensor outputs and start filling the internal data buffer after a threshold crossing occurs. The ADS7142 generates an ALERT signal when the sensor output falls outside of the predefined window of operation. In this particular mode, the ADS7142 continues to fill the data buffer after the threshold is crossed for a total of 16 samples (1 sample data for which ALERT is generated and 15 sample data after the sample at which ALERT is generated). 图 118 shows the ADS7142 operation in Post-Alert mode showing 16 data samples after the sensor output crosses the high threshold. This is useful for applications where the state of the signal after the threshold is crossed is important to capture. Using the data captured after the alert, deep data analysis can be performed for to determine the state of the system after the alert to detect system-level events such as saturation. This data is not available with analog comparators.

### 8.2.1.3 Application Curve



图 117. Pre-Alert Data Capture

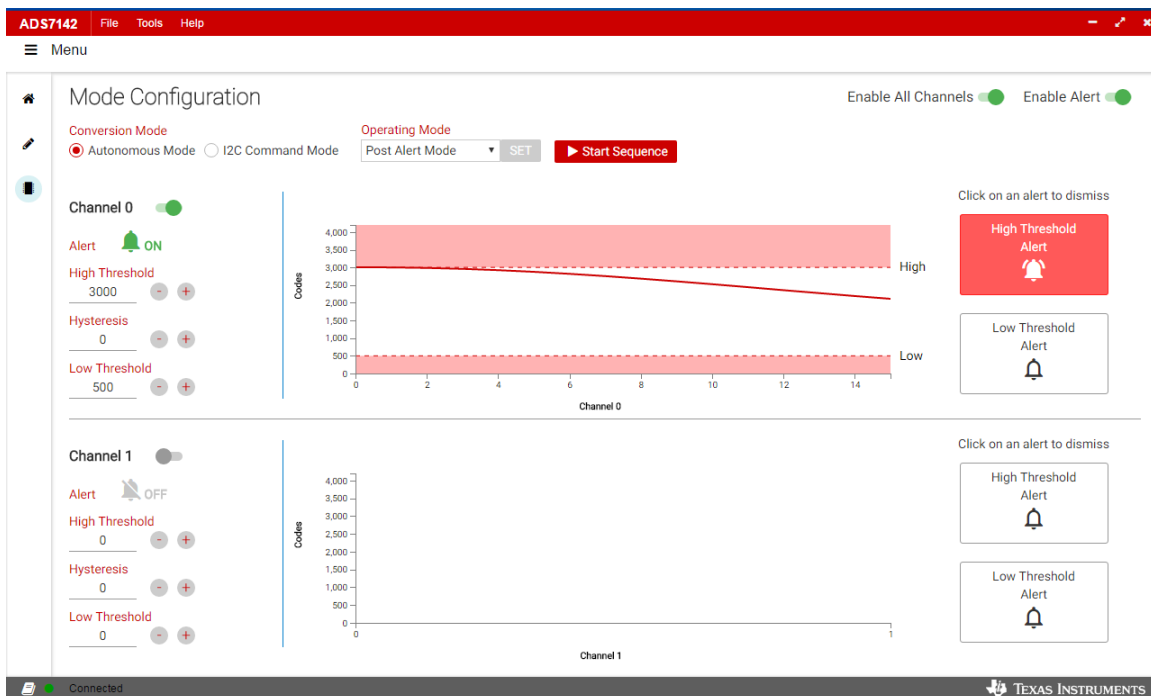
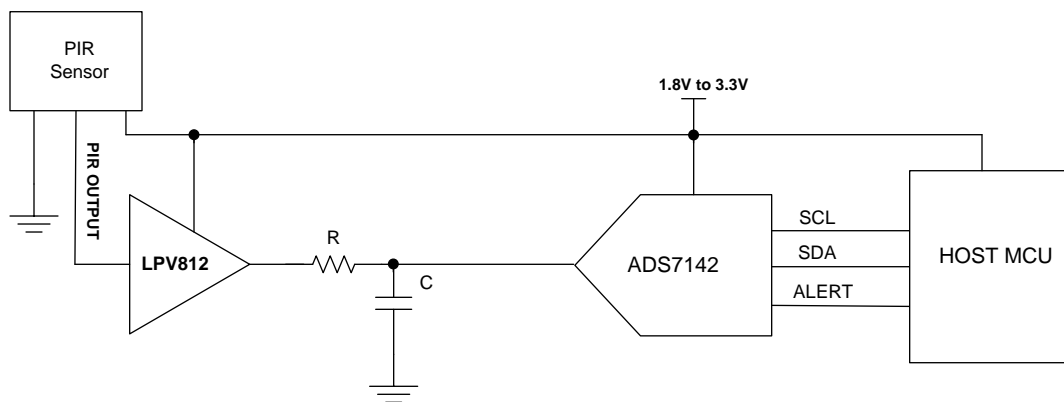


图 118. Post Alert Data Capture

## 8.2.2 Event-triggered PIR sensing with ADS7142



Copyright © 2017, Texas Instruments Incorporated

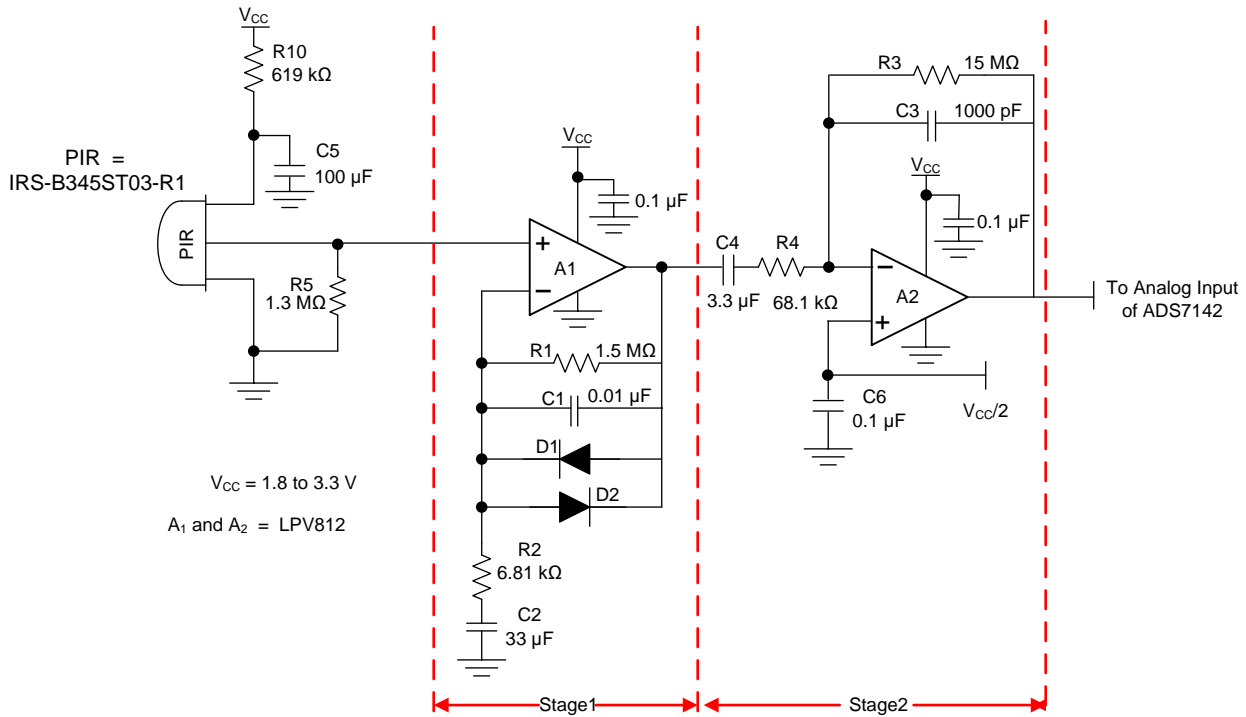
图 119. PIR Sensor with ADS7142

### 8.2.2.1 Design Requirements

A passive infrared (PIR) sensor is a commonly used sensor to detect motion by measuring infrared light emitted from any object that generates heat. PIR sensors are small, inexpensive, low-power, rugged, have a wide lens range, and are easy to use. PIR sensors are commonly used in security lighting and alarm systems used in indoor environments. When there is no motion or heat-emitting object in the vicinity of the sensor, the PIR sensor output is a DC voltage which is typically specified in the PIR datasheet. When a source of heat, such as a person or animal, comes into the sensor field of view, then the PIR sensor output changes. The amplitude of this signal is proportional to the speed and distance of the object relative to the sensor and is in the range of millivolts peak-to-peak. PIR sensors are often followed by a signal conditioning stage which amplifies the IR sensor output. A PIR sensor can be interfaced with the ADS7142 to make an ultra-low-power, autonomous PIR motion detector. The [Autonomous Modes](#) of the ADS7142 with threshold monitoring enables the system to put the host MCU into a low-power sleep mode and wake up the MCU only when motion is detected by the PIR sensor. 图 119 shows a typical block diagram for an autonomous PIR motion detector using the ADS7142.

### 8.2.2.2 Detailed Design Procedure

The analog signal conditioning circuit is shown in the schematic in 图 120. The first stage of the amplifier filter acts as a bandpass filter while the second stage applies an inverting gain. Components R10 and C5 serve as a low-pass filter to stabilize the supply voltage at the input to the sensor. Resistor R5 sets the bias current in the JFET output transistor of the PIR motion sensor. To save power, R5 is larger than recommended and essentially current starves the sensor. This comes at the expense of decreased sensitivity and higher output noise at the sensor output, which is a fair tradeoff for increased battery lifetime. Some of the loss in sensitivity at the sensor output can be compensated by a gain increase in the filter stages. Stage 1 of 图 120 is arranged as a non-inverting gain filter stage. This provides a high-impedance load to the sensor so its bias point remains fixed. Because this stage has an effective DC gain of one due to C2, the sensor output bias voltage provides the DC bias for the first filter stage. Feedback diodes D1 and D2 provide clamping so that the op amps in both filter stages stay out of saturation for motion events which are close to the sensor. Stage 1 has a low and high cutoff frequency of 0.7 Hz and 10.6 Hz respectively and a gain of 220. Stage 2 is arranged as an inverting summer gain stage and is AC-coupled to Stage 1. A DC bias of  $V_{CC}/2$  is connected to the non-inverting input of the amplifier in this stage. Due to the higher gain in the filter stages and higher output noise from the sensor, care must be taken to optimize the placement of the high-frequency filter pole and the window comparator thresholds to avoid false detection.



Copyright © 2017, Texas Instruments Incorporated

图 120. Signal Conditioning Circuit for PIR Sensor

### 8.2.2.3 Application Curves

When the PIR sensor detects motion, its output crosses the threshold and is detected by the ADS7142 as shown on Channel 1 in 图 121.

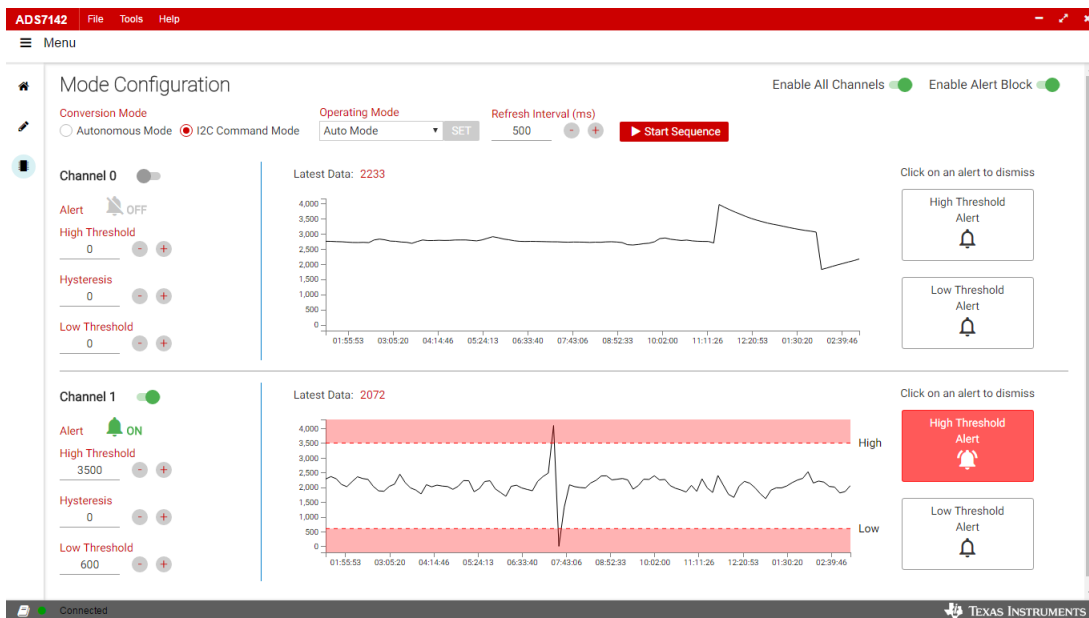
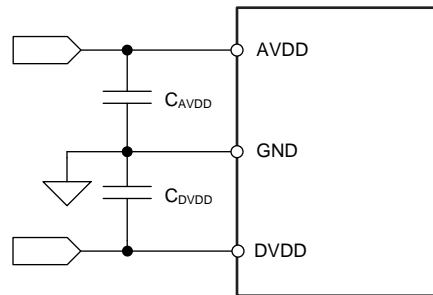


图 121. Alert Output from ADS7142 with PIR Sensor

## 9 Power-Supply Recommendations

### 9.1 AVDD and DVDD Supply Recommendations

The ADS7142 has two separate power supplies: AVDD and DVDD. The device operates on AVDD; DVDD is used for the interface circuits. AVDD and DVDD can be independently set to any value within the permissible ranges. The AVDD supply also defines the full-scale input range of the device. Always set the AVDD supply to be greater than or equal to the maximum input signal to avoid saturation of codes. Decouple the AVDD and DVDD pins respectively with 220-nF and 100-nF ceramic decoupling capacitors, as shown in [Figure 122](#).



Copyright © 2016, Texas Instruments Incorporated

**图 122. Power-Supply Decoupling**

## 10 Layout

### 10.1 Layout Guidelines

图 124 shows a board layout example for the circuit illustrated in 图 123. The key considerations for layout are:

- Use a solid ground plane underneath the device and partition the PCB into analog and digital sections.
- Avoid crossing digital lines with the analog signal path and keep the analog input signals and the reference input signals away from noise sources.
- The power sources to the device must be clean and well-bypassed. Use  $C_{AVDD}$  decoupling capacitors in close proximity to the analog (AVDD) power supply pin.
- Use a  $C_{DVDD}$  decoupling capacitor close to the digital (DVDD) power-supply pin.
- Avoid placing vias between the AVDD and DVDD pins and the bypass capacitors.
- Connect the ground pin to the ground plane using a short, low-impedance path.
- Place the charge kickback filter components close to the device.

Among ceramic surface-mount capacitors, COG (NPO) ceramic capacitors are recommended because these components provide the most stable electrical properties over voltage, frequency, and temperature changes.

### 10.2 Layout Example

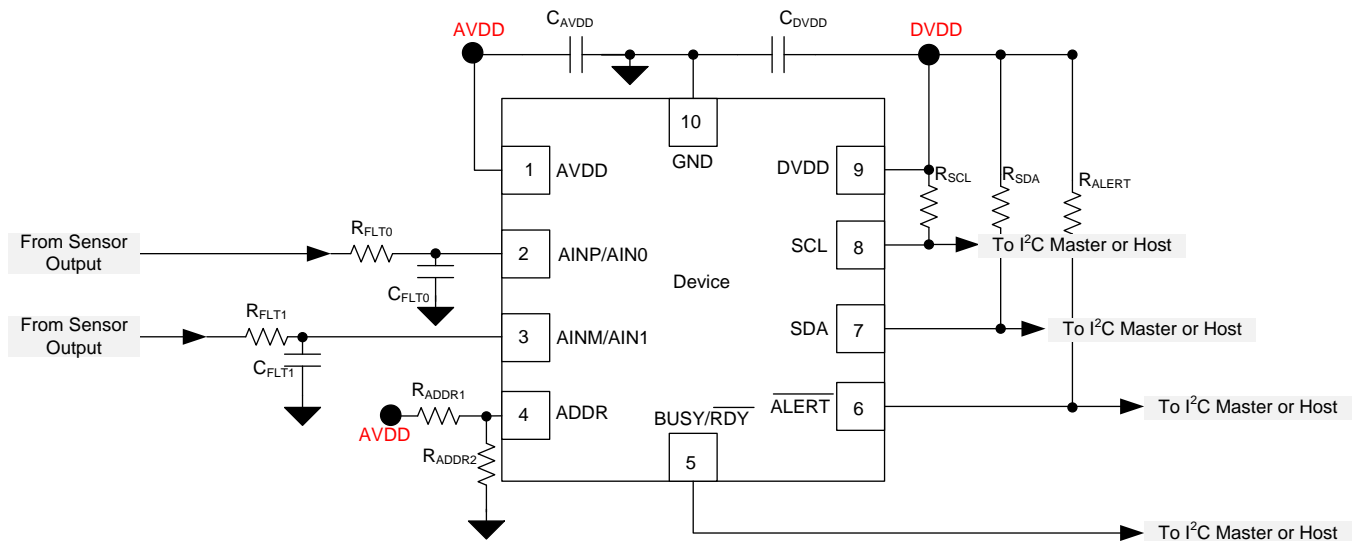


图 123. Example Circuit

Layout Example (接下页)

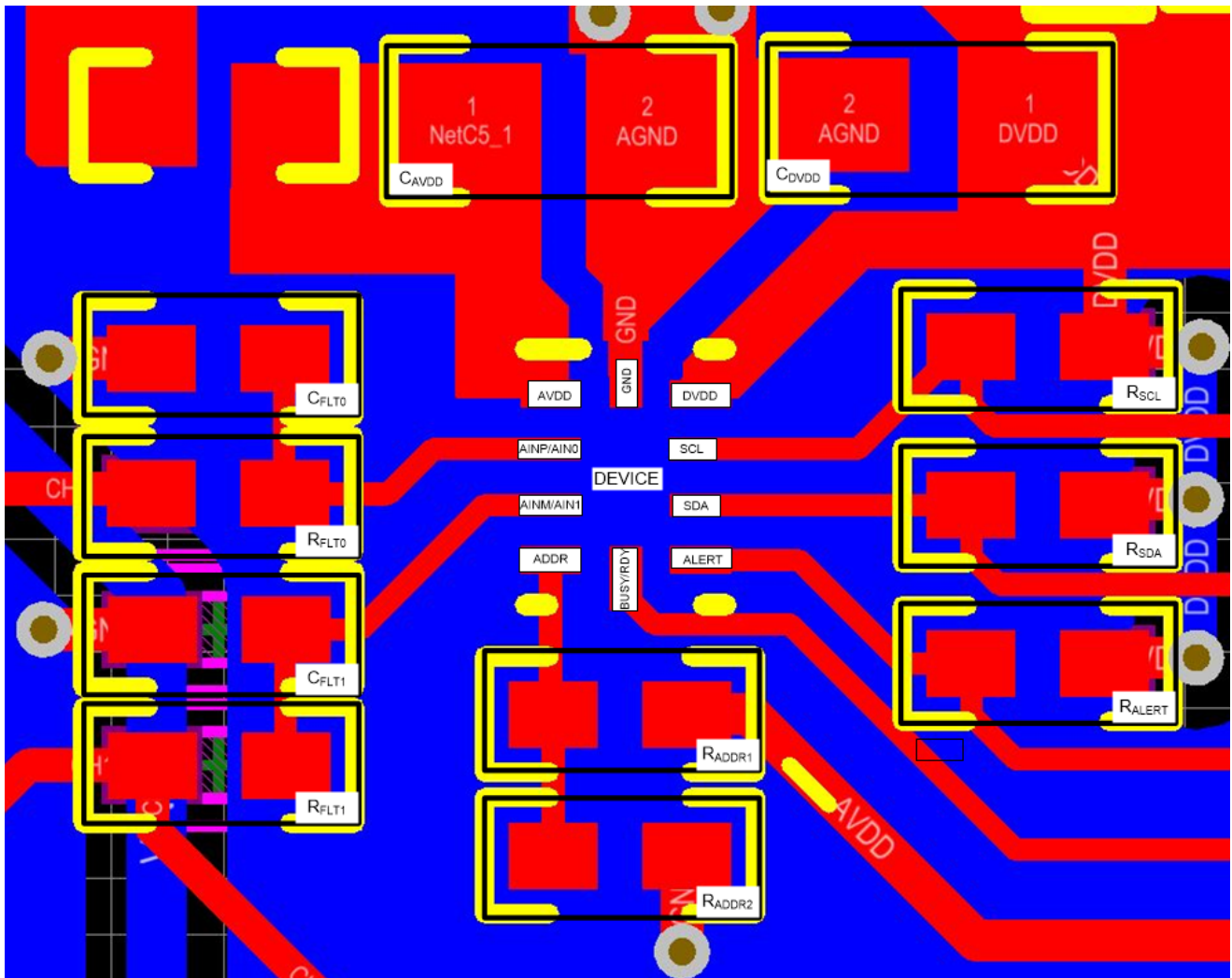


图 124. Example Layout

## 11 器件和文档支持

### 11.1 文档支持

### 11.2 接收文档更新通知

要接收文档更新通知，请导航至 [TI.com](http://TI.com) 上的器件产品文件夹。单击右上角的 [通知我](#) 进行注册，即可每周接收产品信息更改摘要。有关更改的详细信息，请查看任何已修订文档中包含的修订历史记录。

### 11.3 社区资源

下列链接提供到 TI 社区资源的连接。链接的内容由各个分销商“按照原样”提供。这些内容并不构成 TI 技术规范，并且不一定反映 TI 的观点；请参阅 TI 的 [《使用条款》](#)。

**TI E2E™ 在线社区** [TI 的工程师对工程师 \(E2E\) 社区](#)。此社区的创建目的在于促进工程师之间的协作。在 [e2e.ti.com](http://e2e.ti.com) 中，您可以咨询问题、分享知识、拓展思路并与同行工程师一道帮助解决问题。

**设计支持** [TI 参考设计支持](#) 可帮助您快速查找有帮助的 E2E 论坛、设计支持工具以及技术支持的联系信息。

### 11.4 商标

E2E is a trademark of Texas Instruments.

### 11.5 静电放电警告



ESD 可能会损坏该集成电路。德州仪器 (TI) 建议通过适当的预防措施处理所有集成电路。如果不遵守正确的处理措施和安装程序，可能会损坏集成电路。

ESD 的损坏小至导致微小的性能降级，大至整个器件故障。精密的集成电路可能更容易受到损坏，这是因为非常细微的参数更改都可能会导致器件与其发布的规格不相符。

### 11.6 Glossary

[SLYZ022](#) — *TI Glossary*.

This glossary lists and explains terms, acronyms, and definitions.

## 12 机械、封装和可订购信息

以下页中包括机械封装、封装和可订购信息。这些信息是针对指定器件可提供的最新数据。数据如有变更，恕不另行通知和修订此文档。如欲获取此产品说明书的浏览器版本，请参阅左侧的导航。

**PACKAGING INFORMATION**

Orderable part number	Status (1)	Material type (2)	Package   Pins	Package qty   Carrier	RoHS (3)	Lead finish/ Ball material (4)	MSL rating/ Peak reflow (5)	Op temp (°C)	Part marking (6)
<a href="#">ADS7142IRUGR</a>	Active	Production	X2QFN (RUG)   10	3000   LARGE T&R	Yes	NIPDAU	Level-2-260C-1 YEAR	-40 to 125	18M
ADS7142IRUGR.A	Active	Production	X2QFN (RUG)   10	3000   LARGE T&R	Yes	NIPDAU	Level-2-260C-1 YEAR	-40 to 125	18M
ADS7142IRUGRG4	Active	Production	X2QFN (RUG)   10	3000   LARGE T&R	Yes	NIPDAU	Level-2-260C-1 YEAR	-40 to 125	18M
ADS7142IRUGRG4.A	Active	Production	X2QFN (RUG)   10	3000   LARGE T&R	Yes	NIPDAU	Level-2-260C-1 YEAR	-40 to 125	18M
<a href="#">ADS7142IRUGT</a>	Active	Production	X2QFN (RUG)   10	250   SMALL T&R	Yes	NIPDAU	Level-2-260C-1 YEAR	-40 to 125	18M
ADS7142IRUGT.A	Active	Production	X2QFN (RUG)   10	250   SMALL T&R	Yes	NIPDAU	Level-2-260C-1 YEAR	-40 to 125	18M

(1) **Status:** For more details on status, see our [product life cycle](#).

(2) **Material type:** When designated, preproduction parts are prototypes/experimental devices, and are not yet approved or released for full production. Testing and final process, including without limitation quality assurance, reliability performance testing, and/or process qualification, may not yet be complete, and this item is subject to further changes or possible discontinuation. If available for ordering, purchases will be subject to an additional waiver at checkout, and are intended for early internal evaluation purposes only. These items are sold without warranties of any kind.

(3) **RoHS values:** Yes, No, RoHS Exempt. See the [TI RoHS Statement](#) for additional information and value definition.

(4) **Lead finish/Ball material:** Parts may have multiple material finish options. Finish options are separated by a vertical ruled line. Lead finish/Ball material values may wrap to two lines if the finish value exceeds the maximum column width.

(5) **MSL rating/Peak reflow:** The moisture sensitivity level ratings and peak solder (reflow) temperatures. In the event that a part has multiple moisture sensitivity ratings, only the lowest level per JEDEC standards is shown. Refer to the shipping label for the actual reflow temperature that will be used to mount the part to the printed circuit board.

(6) **Part marking:** There may be an additional marking, which relates to the logo, the lot trace code information, or the environmental category of the part.

Multiple part markings will be inside parentheses. Only one part marking contained in parentheses and separated by a "~" will appear on a part. If a line is indented then it is a continuation of the previous line and the two combined represent the entire part marking for that device.

**Important Information and Disclaimer:**The information provided on this page represents TI's knowledge and belief as of the date that it is provided. TI bases its knowledge and belief on information provided by third parties, and makes no representation or warranty as to the accuracy of such information. Efforts are underway to better integrate information from third parties. TI has taken and continues to take reasonable steps to provide representative and accurate information but may not have conducted destructive testing or chemical analysis on incoming materials and chemicals. TI and TI suppliers consider certain information to be proprietary, and thus CAS numbers and other limited information may not be available for release.

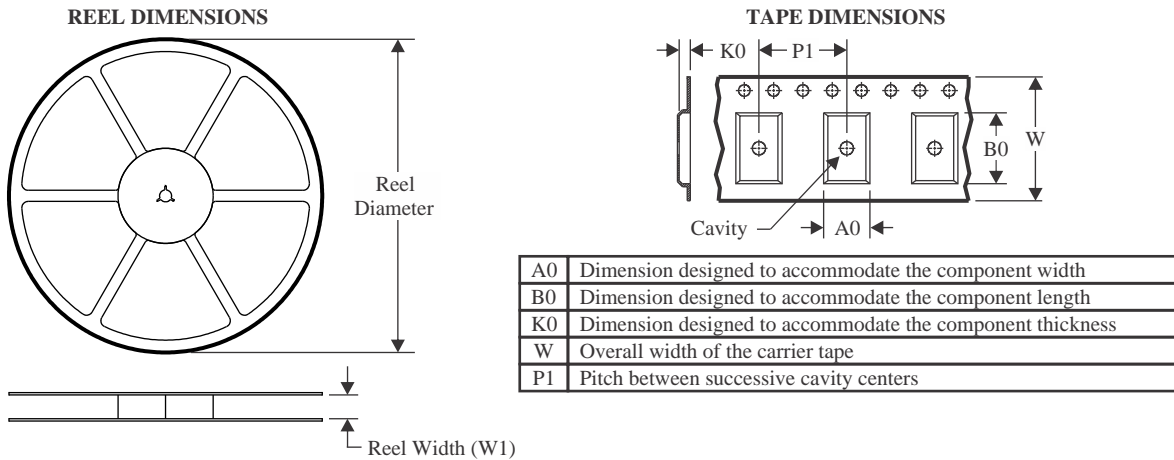
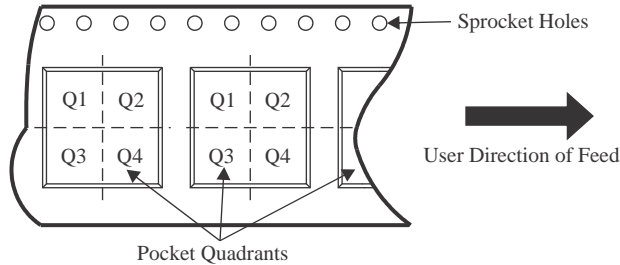
In no event shall TI's liability arising out of such information exceed the total purchase price of the TI part(s) at issue in this document sold by TI to Customer on an annual basis.

**OTHER QUALIFIED VERSIONS OF ADS7142 :**

- Automotive : [ADS7142-Q1](#)

## NOTE: Qualified Version Definitions:

- Automotive - Q100 devices qualified for high-reliability automotive applications targeting zero defects

**TAPE AND REEL INFORMATION**

**QUADRANT ASSIGNMENTS FOR PIN 1 ORIENTATION IN TAPE**


\*All dimensions are nominal

Device	Package Type	Package Drawing	Pins	SPQ	Reel Diameter (mm)	Reel Width W1 (mm)	A0 (mm)	B0 (mm)	K0 (mm)	P1 (mm)	W (mm)	Pin1 Quadrant
ADS7142IRUGR	X2QFN	RUG	10	3000	180.0	8.4	1.75	2.25	0.55	4.0	8.0	Q1
ADS7142IRUGRG4	X2QFN	RUG	10	3000	180.0	8.4	1.75	2.25	0.55	4.0	8.0	Q1
ADS7142IRUGT	X2QFN	RUG	10	250	180.0	8.4	1.75	2.25	0.55	4.0	8.0	Q1

**TAPE AND REEL BOX DIMENSIONS**


\*All dimensions are nominal

Device	Package Type	Package Drawing	Pins	SPQ	Length (mm)	Width (mm)	Height (mm)
ADS7142IRUGR	X2QFN	RUG	10	3000	210.0	185.0	35.0
ADS7142IRUGRG4	X2QFN	RUG	10	3000	210.0	185.0	35.0
ADS7142IRUGT	X2QFN	RUG	10	250	210.0	185.0	35.0

## GENERIC PACKAGE VIEW

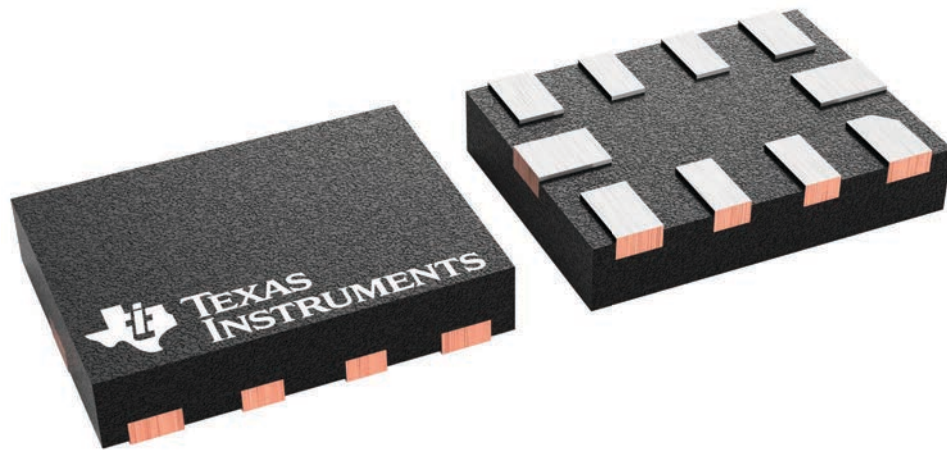
**RUG 10**

**X2QFN - 0.4 mm max height**

1.5 x 2, 0.5 mm pitch

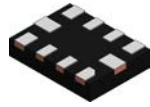
PLASTIC QUAD FLATPACK - NO LEAD

This image is a representation of the package family, actual package may vary.  
Refer to the product data sheet for package details.



4231768/A

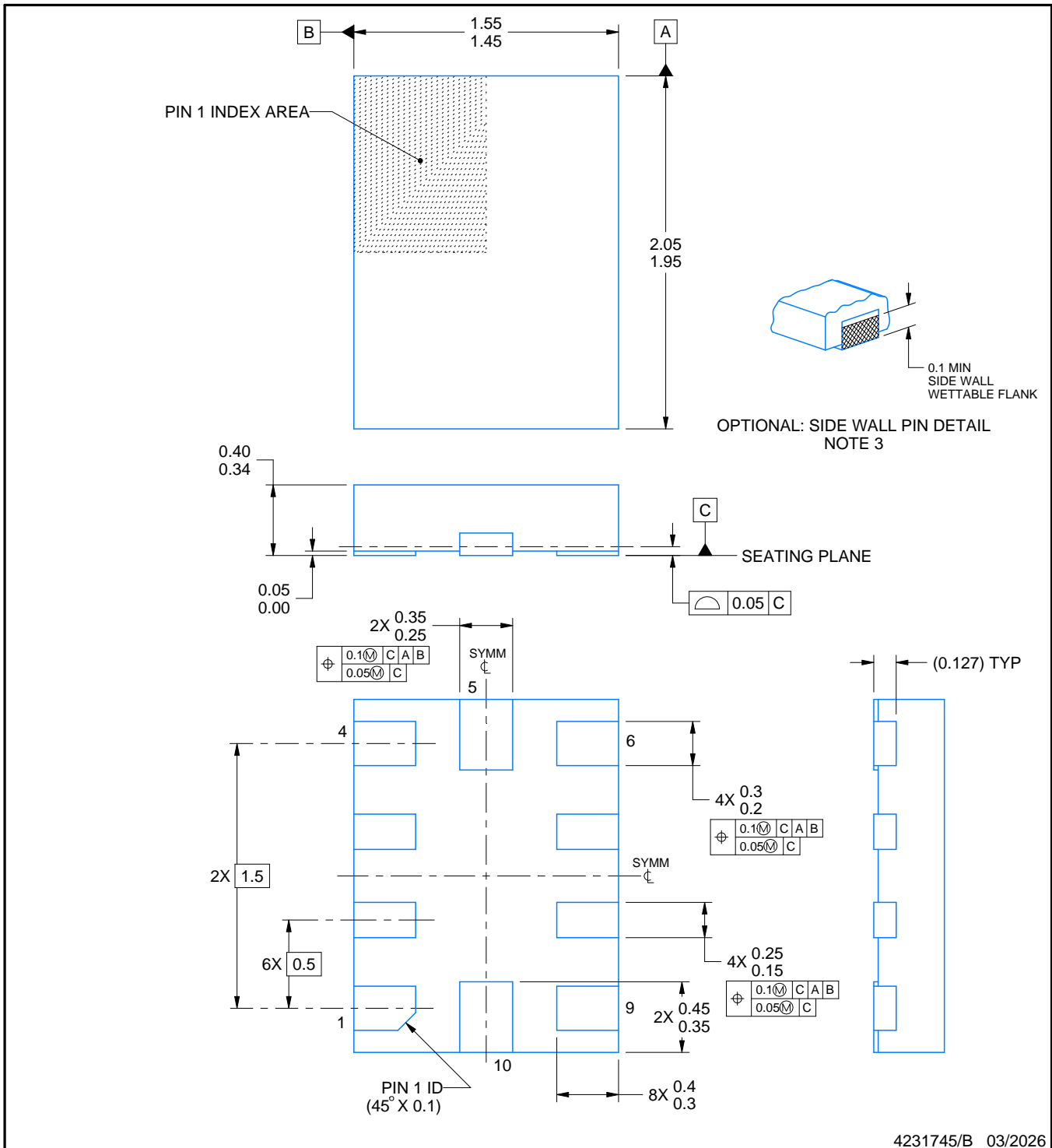
# RUG0010A



# PACKAGE OUTLINE

## X2QFN - 0.4 mm max height

PLASTIC QUAD FLATPACK - NO LEAD



4231745/B 03/2026

### NOTES:

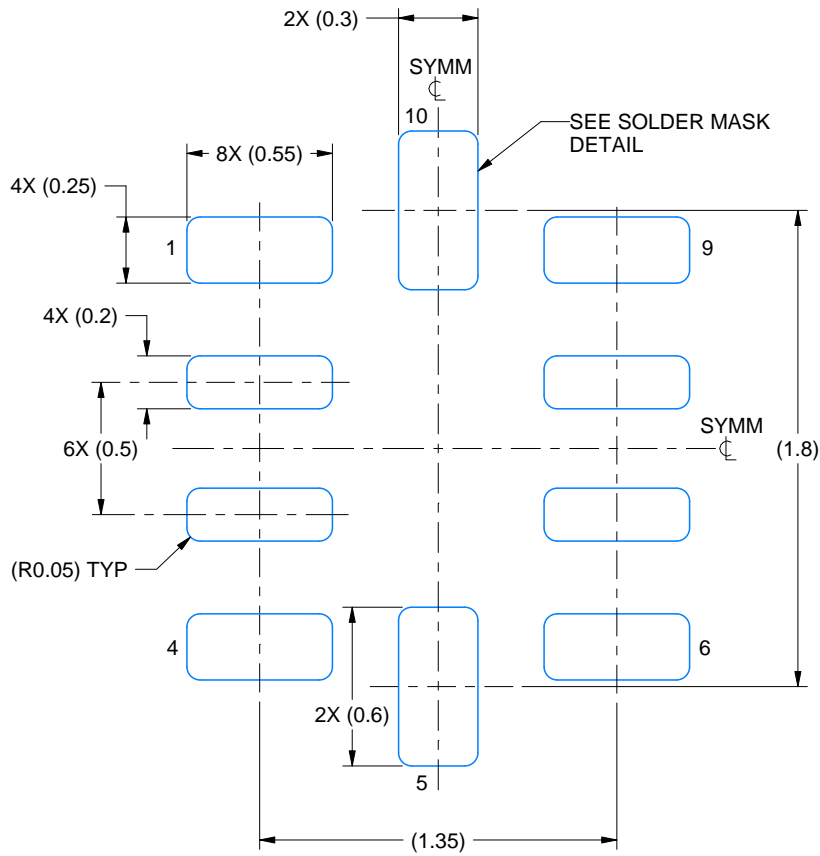
1. All linear dimensions are in millimeters. Any dimensions in parenthesis are for reference only. Dimensioning and tolerancing per ASME Y14.5M.
2. This drawing is subject to change without notice.
3. Minimum 0.1 mm solder wetting on pin side wall. Available for wettable flank version only.

# EXAMPLE BOARD LAYOUT

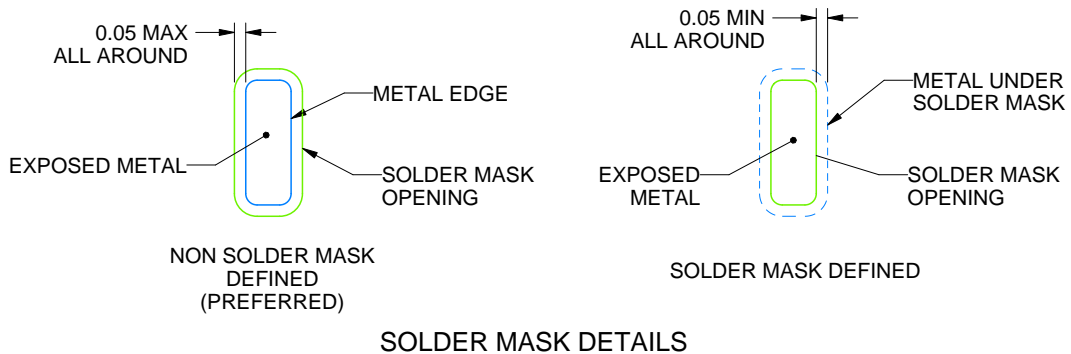
RUG0010A

X2QFN - 0.4 mm max height

PLASTIC QUAD FLATPACK - NO LEAD



LAND PATTERN EXAMPLE  
EXPOSED METAL SHOWN  
SCALE: 35X



4231745/B 03/2026

NOTES: (continued)

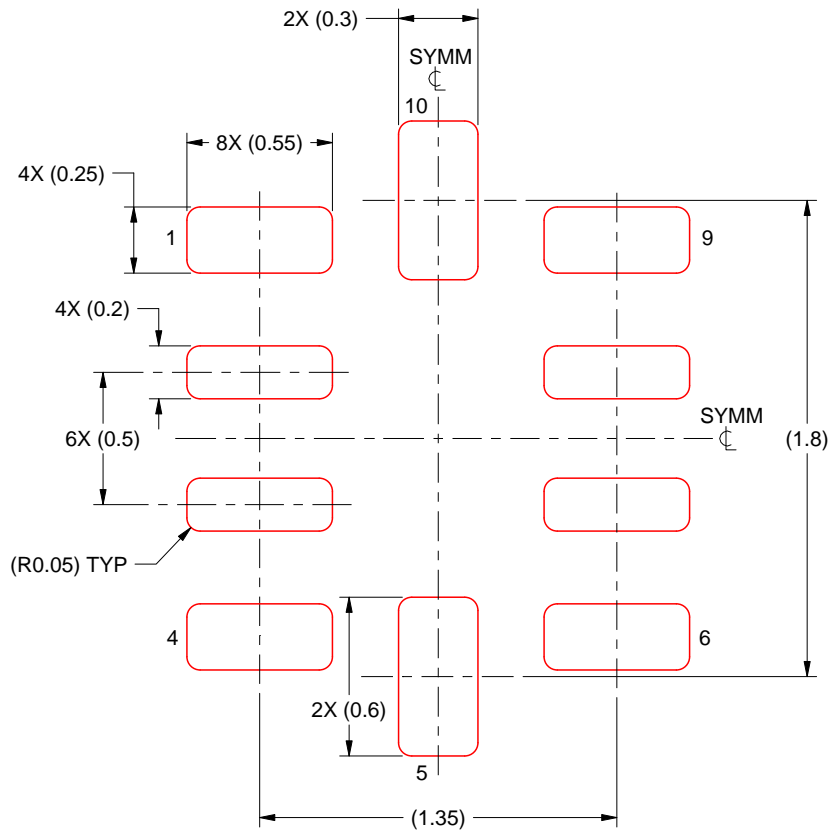
3. For more information, see Texas Instruments literature number SLUA271 ([www.ti.com/lit/sluea271](http://www.ti.com/lit/sluea271)).

# EXAMPLE STENCIL DESIGN

RUG0010A

X2QFN - 0.4 mm max height

PLASTIC QUAD FLATPACK - NO LEAD



SOLDER PASTE EXAMPLE  
BASED ON 0.125 MM THICK STENCIL  
SCALE: 35X

4231745/B 03/2026

NOTES: (continued)

4. Laser cutting apertures with trapezoidal walls and rounded corners may offer better paste release. IPC-7525 may have alternate design recommendations.

## 重要通知和免责声明

TI“按原样”提供技术和可靠性数据（包括数据表）、设计资源（包括参考设计）、应用或其他设计建议、网络工具、安全信息和其他资源，不保证没有瑕疵且不做任何明示或暗示的担保，包括但不限于对适销性、与某特定用途的适用性或不侵犯任何第三方知识产权的暗示担保。

这些资源可供使用 TI 产品进行设计的熟练开发人员使用。您将自行承担以下全部责任：(1) 针对您的应用选择合适的 TI 产品，(2) 设计、验证并测试您的应用，(3) 确保您的应用满足相应标准以及任何其他安全、安保法规或其他要求。

这些资源如有变更，恕不另行通知。TI 授权您仅可将这些资源用于研发本资源所述的 TI 产品的相关应用。严禁以其他方式对这些资源进行复制或展示。您无权使用任何其他 TI 知识产权或任何第三方知识产权。对于因您对这些资源的使用而对 TI 及其代表造成的任何索赔、损害、成本、损失和债务，您将全额赔偿，TI 对此概不负责。

TI 提供的产品受 [TI 销售条款](#)、[TI 通用质量指南](#) 或 [ti.com](#) 上其他适用条款或 TI 产品随附的其他适用条款的约束。TI 提供这些资源并不会扩展或以其他方式更改 TI 针对 TI 产品发布的适用的担保或担保免责声明。除非德州仪器 (TI) 明确将某产品指定为定制产品或客户特定产品，否则其产品均为按确定价格收入目录的标准通用器件。

TI 反对并拒绝您可能提出的任何其他或不同的条款。

版权所有 © 2026，德州仪器 (TI) 公司

最后更新日期：2025 年 10 月