

# 具有可调节恒流模式和睡眠模式且用于备用电池充电的 TPS61251 升压转换器

## 1 特性

- 电阻可编程输入电流限制
  - 电流为 500mA 时，在整个温度范围内电流精度为  $\pm 10\%$
  - 可编程电流：100mA 至 1500mA
- 睡眠模式仅消耗 2 $\mu$ A（典型值）的静态电流
- 适用于为大电容器充电（值在法拉范围内）
- 效率高达 92%
- 电源正常指示即使在关断状态下的输出电压电平仍处于正常水平
- 输入电压范围为 2.3V 至 6V
- 可调节输出电压高达 6.5V
- 输入电压大于输出电压时为 100% 占空比模式
- 负载断开和反向电流保护
- 短路保护
- 典型工作频率：3.5MHz
- 采用 2 x 2mm WSON-8 封装
- 使用 TPS61251 并借助 WEBENCH<sup>®</sup> 电源设计器创建定制设计

## 2 应用

- 带有高功率负载（SSD、PCMCIA Tx 突发、存储器、GPRS/GSM Tx）的电流限制应用
- 锂离子电池应用
- 备用电池应用
- 音频应用
- RF-PA 缓冲器

## 3 说明

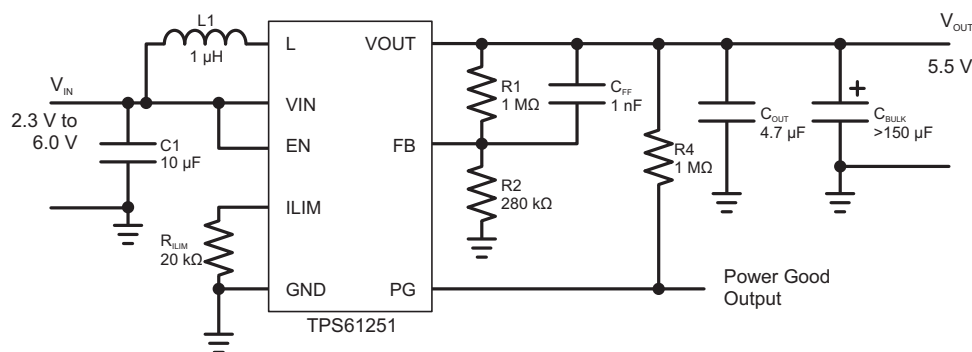
TPS61251 器件可以由 3 节镍镉或镍氢电池或者单节锂离子或锂聚合物电池供电的产品提供电源解决方案。输入电压范围很宽，非常适合为手机、固态硬盘 (SSD) 和无线调制解调器等便携式应用供电。该转换器适合为大电容器（法拉范围）充电，支持备用电池应用。在电容器充电过程中，TPS61251 器件作为恒流源工作，直到输出电压达到编程值。可通过外部电阻器  $R_{ILIM}$  对充电电流进行编程，并针对 500mA 平均输入电流限制提供  $\pm 10\%$  的精度。中增加了“500mA 平均输入电流限制的精度为  $\pm 10\%$ ”

器件信息<sup>(1)</sup>

器件型号	封装	封装尺寸（标称值）
TPS61251	WSON (8)	2.00mm x 2.00mm

(1) 如需了解所有可用封装，请参阅数据表末尾的可订购产品附录。

简化原理图



## 目录

1	特性 .....	1	9.4	Device Functional Modes .....	11
2	应用 .....	1	<b>10</b>	<b>Application and Implementation</b> .....	<b>12</b>
3	说明 .....	1	10.1	Application Information .....	12
4	修订历史记录 .....	2	10.2	Typical Application .....	12
5	说明 (续) .....	3	<b>11</b>	<b>Power Supply Recommendations</b> .....	<b>18</b>
6	<b>Device Options</b> .....	<b>3</b>	<b>12</b>	<b>Layout</b> .....	<b>18</b>
7	<b>Pin Configuration and Functions</b> .....	<b>4</b>	12.1	Layout Guidelines .....	18
8	<b>Specifications</b> .....	<b>5</b>	12.2	Layout Example .....	18
8.1	Absolute Maximum Ratings .....	5	12.3	Thermal Consideration .....	19
8.2	ESD Ratings .....	5	<b>13</b>	<b>器件和文档支持</b> .....	<b>20</b>
8.3	Recommended Operating Conditions .....	5	13.1	器件支持 .....	20
8.4	Thermal Information .....	5	13.2	开发支持 .....	20
8.5	Electrical Characteristics .....	6	13.3	接收文档更新通知 .....	20
8.6	Typical Characteristics .....	6	13.4	社区资源 .....	20
<b>9</b>	<b>Detailed Description</b> .....	<b>8</b>	13.5	商标 .....	20
9.1	Overview .....	8	13.6	静电放电警告 .....	20
9.2	Functional Block Diagram .....	9	13.7	术语表 .....	20
9.3	Feature Description .....	9	<b>14</b>	<b>机械、封装和可订购信息</b> .....	<b>21</b>

## 4 修订历史记录

Changes from Revision B (July 2015) to Revision C	Page
• 已添加 在 <a href="#">特性</a> 和 <a href="#">说明</a> .....	1
• 已添加 增加了 <a href="#">Webench</a> 链接 .....	1
• 已添加 <a href="#">接收文档更新通知</a> .....	20

Changes from Revision A (May 2015) to Revision B	Page
• Deleted package suffix from device number in the Device Options table. ....	3

Changes from Original (September 2010) to Revision A	Page
• 已添加 添加了 <a href="#">ESD</a> 额定值表、 <a href="#">特性</a> 说明部分、 <a href="#">器件功能模式</a> 、 <a href="#">应用和实施</a> 部分、 <a href="#">电源建议</a> 部分、 <a href="#">布局</a> 部分、 <a href="#">器件和文档支持</a> 部分以及 <a href="#">机械、封装和可订购信息</a> 部分 .....	1

## 5 说明（续）

将 TPS61251 器件与充电电容器结合使用，使转换器能够提供超出供电电路（PC 插槽、USB）能力的高电流脉冲，并使插槽电源安全地在其能力范围内工作。在轻负载下，该器件会自动进入增强省电模式（睡眠模式），从而使转换器维持需要的输出电压，同时只消耗 2 $\mu$ A 的电池电流。这样就能以最低的静态电流实现最高的效率。

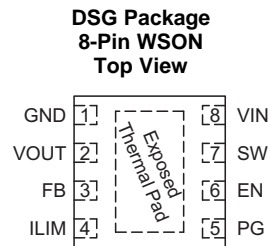
为了实现小解决方案尺寸，TPS61251 器件允许使用小型电感器和输入电容器。在关断期间，负载与电池完全断开连接，这时既不会对电池放电，也不会对已充电的大容量电容器放电。TPS61251 器件采用 2mm  $\times$  2mm 8 引脚 QFN 封装 (DSG)。

## 6 Device Options

OUTPUT VOLTAGE <sup>(1)</sup>	PART NUMBER <sup>(2)</sup>
Adjustable	TPS61251

- (1) Contact TI for other fixed output voltage options  
 (2) For detailed ordering information check the [机械、封装和可订购信息](#) section at the end of this data sheet.

## 7 Pin Configuration and Functions



### Pin Functions

PIN		I/O	DESCRIPTION
NAME	NO.		
EN	6	I	Enable input (1 enabled, 0 disabled)
FB	3	I	Voltage feedback pin
GND	1		Ground
ILIM	4	I	Adjustable average input current limit. Can be connected to $V_{IN}$ for maximum current limit or to GND for minimum current limit.
PG	5	O	Output power good (1 good, 0 failure; open drain)
SW	7	I	Connection for Inductor
VIN	8	I	Supply voltage for power stage
VOUT	2	O	Boost converter output
Exposed Thermal Pad			Must be soldered to achieve appropriate power dissipation and for mechanical reasons. Must be connected to GND.

## 8 Specifications

### 8.1 Absolute Maximum Ratings

over operating free-air temperature range (unless otherwise noted)<sup>(1)</sup>

		MIN	MAX	UNIT
Voltage <sup>(2)</sup>	VIN, VOUT, SW, EN, PG, FB, ILIM	–0.3	7	V
Temperature	Operating junction, T <sub>J</sub>	–40	150	°C
	Storage, T <sub>stg</sub>	–65	150	°C

- (1) Stresses beyond those listed under *absolute maximum ratings* may cause permanent damage to the device. These are stress ratings only, and functional operation of the device at these or any other conditions beyond those indicated under *recommended operating conditions* is not implied. Exposure to absolute-maximum-rated conditions for extended periods may affect device reliability.
- (2) All voltages are with respect to network ground terminal.

### 8.2 ESD Ratings

			VALUE	UNIT
V <sub>(ESD)</sub>	Electrostatic discharge	Human body model (HBM), per ANSI/ESDA/JEDEC JS-001, all pins <sup>(1)</sup>	±2000	V
		Charged device model (CDM), per JEDEC specification JESD22-C101, all pins <sup>(2)</sup>	±500	

- (1) JEDEC document JEP155 states that 500-V HBM allows safe manufacturing with a standard ESD control process.
- (2) JEDEC document JEP157 states that 250-V CDM allows safe manufacturing with a standard ESD control process.

### 8.3 Recommended Operating Conditions

		MIN	NOM	MAX	UNIT
Supply voltage at VIN		2.3		6	V
Output voltage at VOUT		3		6.5	V
Programable input current limit set by R <sub>ILIM</sub>		100		1500	mA
Operating free air temperature, T <sub>A</sub>		–40		85	°C
Operating junction temperature, T <sub>J</sub>		–40		125	°C

### 8.4 Thermal Information

THERMAL METRIC <sup>(1)</sup>		TPS61251	UNIT
		DSG (WSON)	
		8 PINS	
R <sub>θJA</sub>	Junction-to-ambient thermal resistance	80.2	°C/W
R <sub>θJctop</sub>	Junction-to-case (top) thermal resistance	93.5	°C/W
R <sub>θJB</sub>	Junction-to-board thermal resistance	54.2	°C/W
ψ <sub>JT</sub>	Junction-to-top characterization parameter	0.9	°C/W
ψ <sub>JB</sub>	Junction-to-board characterization parameter	59.3	°C/W
R <sub>θJcbot</sub>	Junction-to-case (bottom) thermal resistance	20	°C/W

- (1) For more information about traditional and new thermal metrics, see the [Semiconductor and IC Package Thermal Metrics](#) application report.

### 8.5 Electrical Characteristics

Over recommended free air temperature range, typical values are at  $T_A = 25^\circ\text{C}$ . Unless otherwise noted, specifications apply for condition  $V_{IN} = EN = 3.6\text{ V}$ ,  $V_{OUT} = 5.5\text{ V}$ .

PARAMETER		TEST CONDITIONS	MIN	TYP	MAX	UNIT
$V_{FB}$	Feedback voltage		1.182	1.2	1.218	V
	Maximum line regulation	$2.3\text{ V} \leq V_{IN} \leq 6\text{ V}$		0.5%		
	Maximum load regulation			0.5%		
f	Oscillator frequency			3500		kHz
$r_{DS(on)}$	High side switch ON resistance			200		mΩ
	Low side switch ON resistance			130		mΩ
	Reverse leakage current into $V_{OUT}$	EN = GND			3.5	μA
$I_{IN(DC)}$	Programmable input average switch current limit	ILIM pin set to $V_{IN}$		1500		mA
		ILIM pin set to GND		100		mA
		$R_{ILIM} = 20\text{ k}\Omega$ (500 mA)	-10%		10%	
$I_Q$	Quiescent current	PFM enabled, device is not switching		30		μA
		SNOOZE mode, $I_{OUT} = 0\text{ mA}$ , current into $V_{IN}$ pin		2		
$I_{SD}$	Shutdown current <sup>(1)</sup>	$V_{IN}$ turned on when EN is connected to GND and no voltage is present at $V_{OUT}$		0.85	3.5	μA
OVP	Input over voltage protection threshold	Falling		6.4		V
		Rising		6.5		
<b>CONTROL STAGE</b>						
$V_{UVLO}$	Under voltage lockout threshold	Falling		2	2.1	V
		Hysteresis		0.1		V
$V_{IL}$	EN input low voltage	$2.3\text{ V} \leq V_{IN} \leq 6\text{ V}$			0.4	V
$V_{IH}$	EN input high voltage	$2.3\text{ V} \leq V_{IN} \leq 6\text{ V}$	1			V
	EN, PG input leakage current	Clamped on GND or $V_{IN}$			0.5	μA
	Power Good threshold voltage	Rising referred to $V_{FB}$	92.5%	95%	97.5%	
		Falling referred to $V_{OUT}$		2.3		V
	Power good delay			50		μs
	Overtemperature protection			140		°C
	Overtemperature hysteresis			20		°C

(1) When the power good threshold is triggered the first time a comparator is turned on to observe the output voltage increasing the shutdown current.

### 8.6 Typical Characteristics

Table 1. Table Of Graphs

DESCRIPTION		FIGURE
Efficiency	vs Output current ( $V_{OUT} = 5.5\text{ V}$ , $I_{LIM} = 1.5\text{ A}$ , $R1 = 2320\text{ k}\Omega$ and $R2 = 649\text{ k}\Omega$ )	Figure 1
	vs Output current in 100% Duty-Cycle Mode ( $V_{OUT} = 5.5\text{ V}$ , $I_{LIM} = 1.5\text{ A}$ , $R1 = 2320\text{ k}\Omega$ and $R2 = 649\text{ k}\Omega$ )	Figure 2
	vs Input voltage ( $V_{OUT} = 5.5\text{ V}$ , $I_{LOAD} = \{0.01; 0.1; 1.0; 10; 100; 500\text{ mA}\}$ , $R1 = 2320\text{ k}\Omega$ and $R2 = 649\text{ k}\Omega$ )	Figure 3
Maximum output current	vs Input voltage ( $V_{OUT} = 5.5\text{ V}$ , $I_{LIM} = \{100; 200; 500; 1000; 1500\text{ mA}\}$ , $R1 = 1000\text{ k}\Omega$ and $R2 = 280\text{ k}\Omega$ )	Figure 4
Output voltage	vs Output current ( $V_{OUT} = 5.5\text{ V}$ , $I_{LIM} = 1.5\text{ A}$ , $R1 = 1000\text{ k}\Omega$ and $R2 = 280\text{ k}\Omega$ )	Figure 5

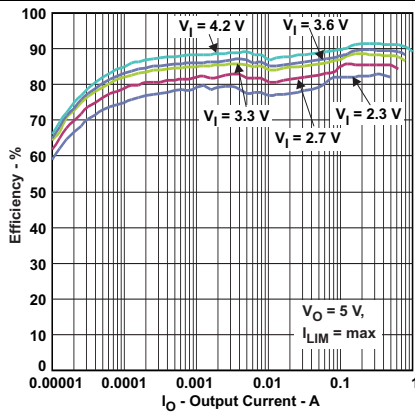


Figure 1. Efficiency vs Output Current

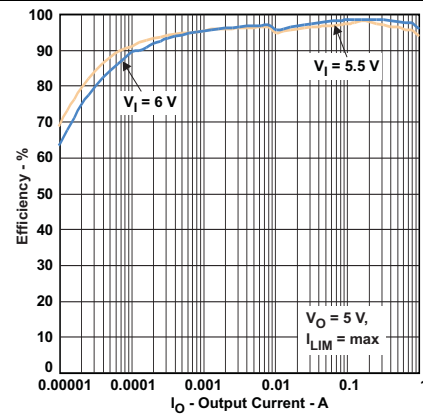


Figure 2. Efficiency vs Output Current in 100% Duty-Cycle Mode

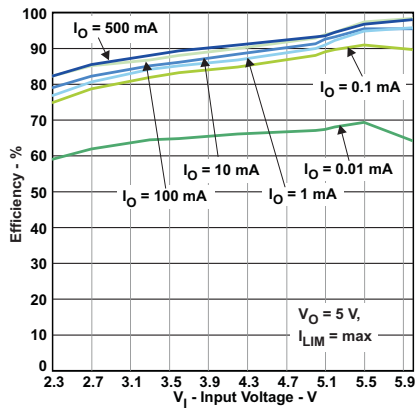


Figure 3. Efficiency vs Input Voltage

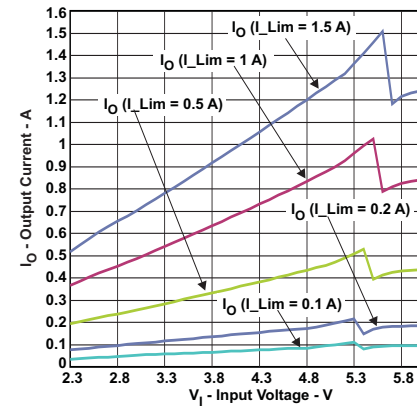


Figure 4. Maximum Output Current vs Input Voltage

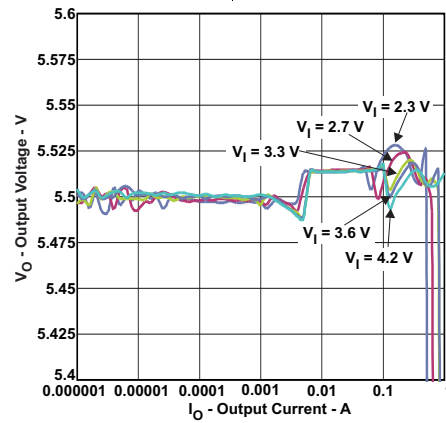


Figure 5. Output Voltage vs Output Current

## 9 Detailed Description

### 9.1 Overview

The TPS61251 boost converter operates as a quasi-constant frequency adaptive on-time controller. In a typical application the frequency is 3.5 MHz and is defined by the input to output voltage ratio and does not vary from moderate to heavy load currents. At light load the converter automatically enters power-save mode and operates in pulse frequency modulation (PFM) mode. During PWM operation the converter uses a unique fast response quasi-constant on-time valley current mode controller scheme which offers excellent line and load regulation and the use of small ceramic input capacitors.

Based on the  $V_{IN}/V_{OUT}$  ratio, a simple circuit predicts the required on-time. At the beginning of the switching cycle, the low-side N-MOS switch is turned on and the inductor current ramps up to a peak current that is defined by the on-time and the inductance. In the second phase, once the on-timer has expired, the rectifier is turned on and the inductor current decays to a preset valley current threshold. Finally, the switching cycle repeats by setting the on timer again and activating the low-side N-MOS switch.

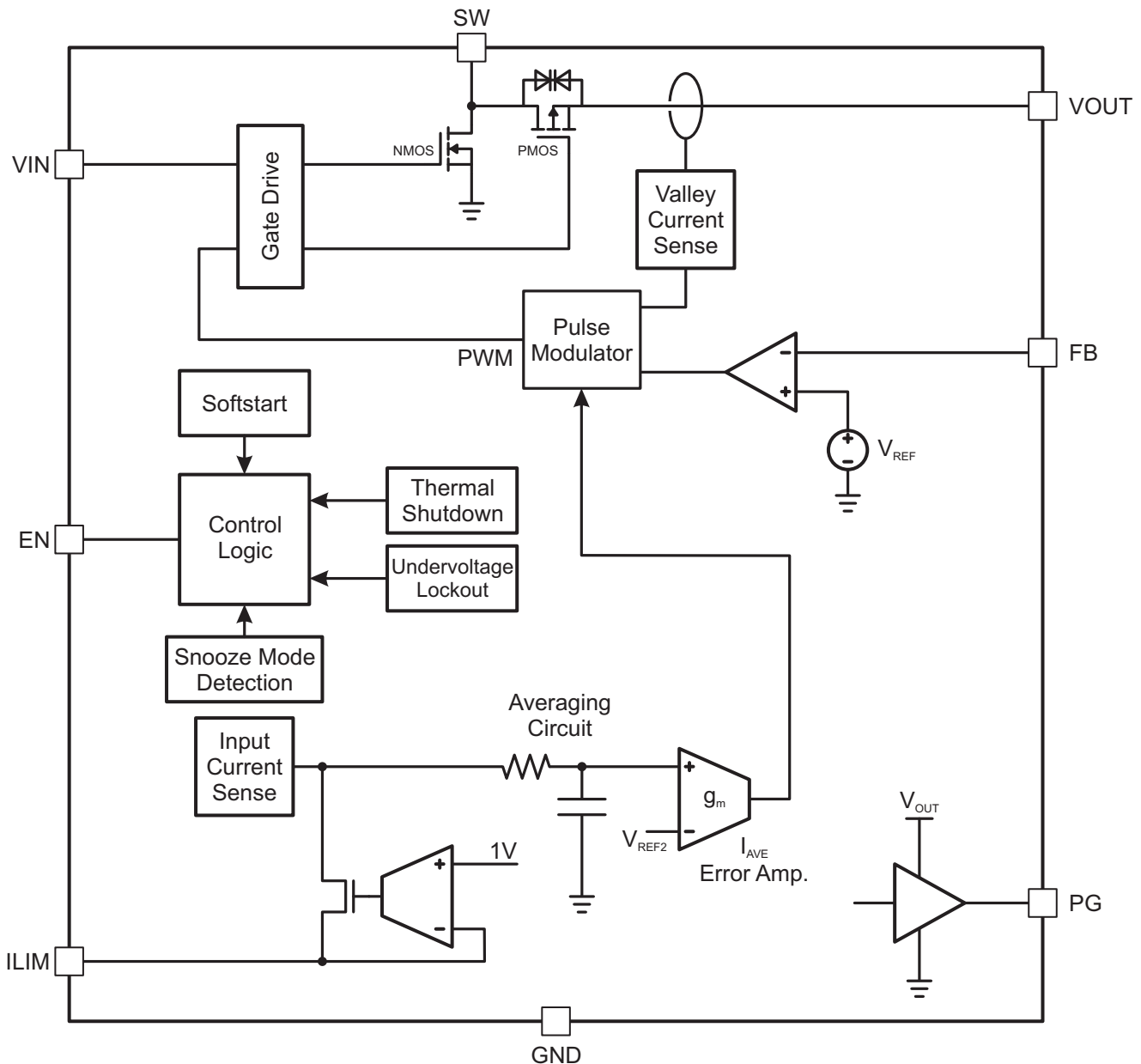
The TPS61251 device directly and accurately controls the average input current through intelligent adjustment of the valley current limit, allowing an accuracy of  $\pm 10\%$  at 500-mA average input current. Together with an external bulk capacitor the TPS61251 device allows an application to be interfaced directly to its load, without overloading the input source due to appropriate set average input current limit.

High values of output capacitance are mainly achieved by putting capacitors in parallel. This reduces the overall series resistance (ESR) to very low values. This results in almost no voltage ripple at the output and therefore the regulation circuit has no voltage drop to react on. Nevertheless to ensure accurate output voltage regulation even with very low ESR the regulation loop can switch to a pure comparator regulation scheme. During this operation the output voltage is regulated between two thresholds. The upper threshold is defined by the programmed output voltage and the lower value is about 10 mV lower. If the upper threshold is reached the off-time is increased to reduce the current in the inductor. Therefore the output voltage will slightly drop until the lower threshold is tripped. Now the off-time is reduced to increase the current in the inductor to charge up the output voltage to the steady-state value. The current swing during this operation mode is strongly depending on the current drawn by the load but will not exceed the programmed current limit. The output voltage during comparator operation stays within the specified accuracy with minimum voltage ripple.

This architecture with adaptive slope compensation provides excellent transient load response and requiring minimal output filtering. Internal softstart and loop compensation simplifies the design process while minimizing the number of external components.



## 9.2 Functional Block Diagram



## 9.3 Feature Description

### 9.3.1 Current Limit Operation

The current limit circuit employs a valley current sensing scheme. Current limit detection occurs during the off-time through sensing of the voltage drop across the synchronous rectifier. The output voltage is reduced as the power stage of the device operates in a constant current mode. The maximum continuous output current ( $I_{OUT(CL)}$ ), before entering current limit (CL) operation, can be defined by Equation 1 as shown below:

$$I_{OUT(CL)} = (1 - D) \cdot I_{IN(DC)} \quad (1)$$

The duty cycle (D) can be estimated by following Equation 2

$$D = 1 - \frac{V_{IN} \cdot \eta}{V_{OUT}} \quad (2)$$

## Feature Description (continued)

### 9.3.2 Soft Start

The TPS61251 device has an internal charging circuit that controls the current during the output capacitor charging and prevents the converter from inrush current that exceeds the set current limit. For typical 100  $\mu$ s the current is ramped to the set current limit. After reaching the current limit threshold the output capacitor is charged with a constant current until the programmed output voltage is reached. During the phase where  $V_{IN} > V_{OUT}$  the rectifying switch is controlled by the current limit circuit and works as a linear regulator in constant current mode. If then  $V_{IN} = V_{OUT}$ , the converter starts switching and boosting up the voltage to its nominal output voltage by still charging the capacitor with a constant current set by resistor  $R_{LIM}$ . During constant current charging power dissipation in the TPS61251 device is increased resulting in a thermal rise or heating of the device. If the output capacitor is very large charging time can be long and thermal rise high. To prevent overheating of the device during the charge phase the current will be limited to a lower value when device temperature is high. Please refer to [Thermal Regulation](#).

### 9.3.3 Enable

The device is enabled by setting EN pin to a voltage above 1 V. At first, the internal reference is activated and the internal analog circuits are settled. Afterwards, the softstart is activated and the output voltage ramps up. The output voltage reaches its nominal value as fast as the current limit settings and the load condition allows it.

The EN input can be used to control power sequencing in a system with several DC-DC converters. The EN pin can be connected to the output of another converter, to drive the EN pin high and getting a sequencing of supply rails. With EN = GND, the device enters shutdown mode.

### 9.3.4 Undervoltage Lockout (UVLO)

The UVLO prevents the device from malfunctioning at low input voltages and the battery from excessive discharge. It disables the output stage of the converter once the falling  $V_{IN}$  trips the undervoltage lockout threshold  $V_{UVLO}$  which is typically 2 V. The device starts operation once the rising  $V_{IN}$  trips  $V_{UVLO}$  threshold plus its hysteresis of 100 mV at typical 2.1 V.

### 9.3.5 Power Good

The device has a built-in power good function to indicate whether the output voltage has reached the programmed value and therefore the capacitor is fully charged. The power good output (PG) is set high if the feedback voltage reaches 95% of its nominal value. The power good comparator operates even in shut down mode when EN is set to low and/or  $V_{IN}$  is turned off. This guaranties power good functionality until the capacitor is discharged. The PG output goes low when  $V_{OUT}$  drops below 2.3 V and indicates the discharge of the capacitor. If the output voltage decreases further and goes below 2 V the converter disables all internal circuitry. Therefore the PG open drain output becomes high resistive and follows the voltage the pullup resistor is connected to.

Because power good functionality is active as long as the output capacitors are charged the converter can be disconnected from its supply but is still supplying the following circuitry with energy. A connected buck converter or buck-boost converter can use this energy to support a follow-on circuit that needs additional energy for a secured shut down.

### 9.3.6 Input Overvoltage Protection

This converter has a input overvoltage protection that protects the device from damage due to a voltage higher than the absolute maximum rating of the input allows. If 6.5 V (typical) at the input is exceeded, the converter completely shuts down to protect its inner circuitry as well as the circuit connected to  $V_{OUT}$ . If the input voltage drops below 6.4 V (typical), the device turns on again and enters normal start-up again.

### 9.3.7 Load Disconnect and Reverse Current Protection

The TPS61251 device has an intelligent load disconnect circuit that prevents current flow in any direction during shutdown. In case of a connected battery and  $V_{IN} > V_{OUT}$  the converter will not discharge the battery during shutdown of the converter. In the opposite case when a bulk capacitor is connected to  $V_{OUT}$  and charged to a higher voltage than  $V_{IN}$  the converter prevents the capacitor from being discharged through the input load (battery).

## Feature Description (continued)

### 9.3.8 Thermal Regulation

The TPS61251 device contains a thermal regulation loop that monitors the die temperature. If the die temperature rises to values above 110°C, the device automatically reduces the current to prevent the die temperature from further increasing. Once the die temperature drops about 10°C below the threshold, the device will automatically increase the current to the target value. This function also reduces the current during a short-circuit-condition.

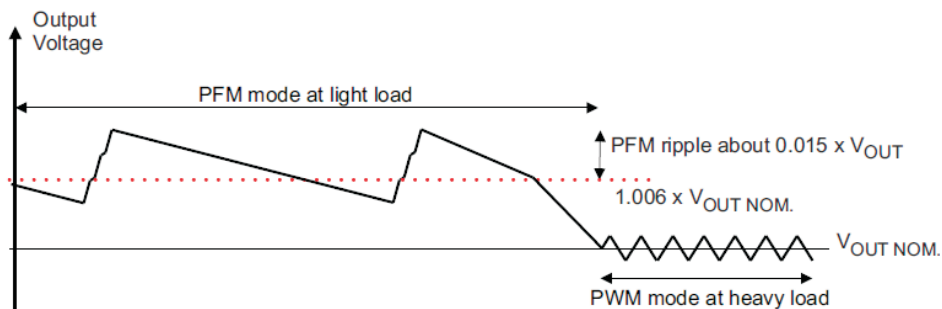
### 9.3.9 Thermal Shutdown

As soon as the junction temperature,  $T_J$ , exceeds 140°C (typical) the device enters thermal shutdown. In this mode, the High Side and Low Side MOSFETs are turned off. When the junction temperature falls about 20°C below the thermal shutdown, the device continues the operation.

## 9.4 Device Functional Modes

### 9.4.1 Power-Save Mode

The TPS61251 device integrates a power save mode to improve efficiency at light load. In power save mode the converter only operates when the output voltage trips below a set threshold voltage. It ramps up the output voltage with several pulses and goes into power save mode once the output voltage exceeds the set threshold voltage. During the power save operation when the output voltage is above the set threshold the converter turns off some of the inner circuits to save energy.



The PFM mode is left and PWM mode entered in case the output current can not longer be supported in PFM mode.

### 9.4.2 Snooze Mode

During this enhanced power save mode, the converter still maintains the output voltage with a tolerance of  $\pm 2\%$ . The operating current in snooze mode is, however, drastically reduced to a typical value of 2  $\mu\text{A}$ . This will be achieved by turning off as much as possible of the inner regulation circuits. Load current in snooze mode is limited to 2 mA. If the load current increases above 2 mA, the controller recognizes a further drop of the output voltage and the device turns on again to charge the output capacitor to the programmed output voltage again.

### 9.4.3 100% Duty-Cycle Mode

If  $V_{IN} > V_{OUT}$  the TPS61251 device offers the lowest possible input-to-output voltage difference while still maintaining current limit operation with the use of the 100% duty-cycle mode. In this mode, the PMOS switch is constantly turned on. During this operation the output voltage follows the input voltage and will not fall below the programmed value if the input voltage decreases below  $V_{OUT}$ . The output voltage drop during 100% mode depends on the load current and input voltage, and the resulting output voltage is calculated using [Equation 3](#).

$$V_{OUT} = V_{IN} - (DCR + r_{DS(on)}) \cdot I_{OUT}$$

where

- DCR is the DC resistance of the inductor
  - $r_{DS(on)}$  is the typical on-resistance of the PMOS switch
- (3)

## 10 Application and Implementation

### NOTE

Information in the following applications sections is not part of the TI component specification, and TI does not warrant its accuracy or completeness. TI's customers are responsible for determining suitability of components for their purposes. Customers should validate and test their design implementation to confirm system functionality.

### 10.1 Application Information

The TPS61251 device provides a power supply solution for products powered by either a three-cell, NiCd or NiMH battery, or a one-cell Li-Ion or Li-polymer battery. The wide input voltage range is ideal to power portable applications like mobile phones, solid state drives (SSD) and wireless modems. The converter is designed to charge large capacitors in the Farad range to support battery back up applications.

### 10.2 Typical Application

Figure 6 shows a typical application for 5.5-V output voltage with input current limit.

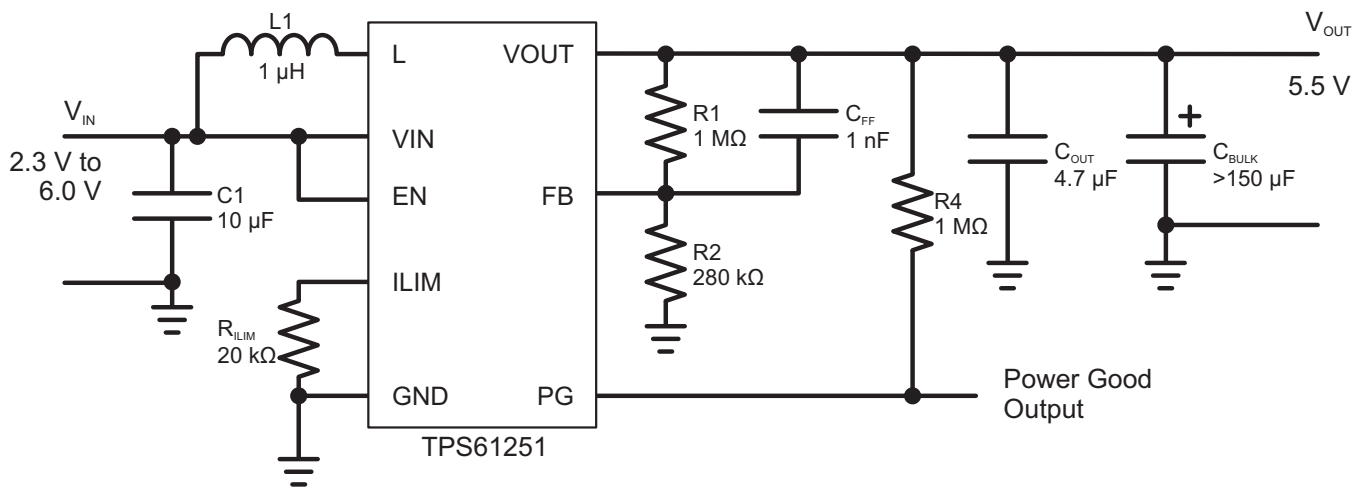


Figure 6. Typical Application Schematic

#### 10.2.1 Design Requirements

Table 2 lists the design requirements.

Table 2. Design Parameters

PARAMETER	SYMBOL	VALUE	UNIT
Input voltage	$V_{IN}$	3.6	V
Minimum input voltage	$V_{IN(min)}$	2.9	V
Output voltage	$V_{OUT}$	5.5	V
Input current limit set by $R_{LIM}$	$I_{LIM}$	500	mA
Feedback voltage	$V_{FB}$	1.2	V
Switching frequency	f	3.5	MHz
Estimated efficiency	$\eta$	90%	
Inductor value of choice	L1	1	$\mu$ H

## 10.2.2 Detailed Design Procedure

### 10.2.2.1 Custom Design With WEBENCH® Tools

[Click here](#) to create a custom design using the TPS61251 device with the WEBENCH® Power Designer.

1. Start by entering the input voltage ( $V_{IN}$ ), output voltage ( $V_{OUT}$ ), and output current ( $I_{OUT}$ ) requirements.
2. Optimize the design for key parameters such as efficiency, footprint, and cost using the optimizer dial.
3. Compare the generated design with other possible solutions from Texas Instruments.

The WEBENCH Power Designer provides a customized schematic along with a list of materials with real-time pricing and component availability.

In most cases, these actions are available:

- Run electrical simulations to see important waveforms and circuit performance
- Run thermal simulations to understand board thermal performance
- Export customized schematic and layout into popular CAD formats
- Print PDF reports for the design, and share the design with colleagues

Get more information about WEBENCH tools at [www.ti.com/WEBENCH](http://www.ti.com/WEBENCH).

### 10.2.2.2 Output Voltage Setting

The output voltage can be calculated using [Equation 4](#).

$$V_{OUT} = V_{FB} \cdot \left( 1 + \frac{R_1}{R_2} \right) \quad (4)$$

To minimize the current through the feedback divider network and therefore increase efficiency during snooze mode operation, R2 must be > 240 k. To keep the network robust against noise the resistor divider can also be in the lower 100-k values. In this case, R1 is 1000 kΩ and R2 is 280 kΩ.

An external feed forward capacitor C1 is required for optimum load transient response. The value of C1 must be 1000 pF. The connection from FB pin to the resistor divider should be kept short and away from noise sources, such as the inductor or the SW line.

### 10.2.2.3 Average Input Current Limit

The average input current is set by selecting the correct external resistor value correlating to the required current limit. [Equation 5](#) is a guideline for selecting the correct resistor value.

$$R_{ILIM} = \frac{1.0V}{I_{LIM}} \cdot 10,000 \quad (5)$$

For a current limit of 500 mA the resistor value is 20 kΩ

To allow maximum current limit (1500 mA) the ILIM pin can be directly connected to  $V_{IN}$ . If ILIM is connected to GND the minimum current (100 mA) limit is set.

### 10.2.2.4 Maximum Output Current

The maximum output current is set by  $R_{ILIM}$  and the input to output voltage ratio and can be calculated using [Equation 6](#).

$$I_{OUT(max)} \approx I_{LIM} \cdot \frac{V_{IN} \cdot \eta}{V_{OUT}} \quad (6)$$

Following the example,  $I_{OUT(max)}$  will be 295 mA at 3.6 V input voltage and will decrease with lower input voltage values due to the energy conservation.

### 10.2.2.5 Inductor Selection

As for all switch mode power supplies two main passive components are required for storing the energy during operation. This is done by an inductor and an output capacitor. The inductor must be connected between VIN and SW pin to make sure that the TPS61251 device operates. To select the right inductor current rating the programmed input current limit as well as the current ripple through the inductor is necessary. Estimation of the maximum peak inductor current can be done using [Equation 7](#).

$$I_{L(max)} = I_{LIM} + \Delta I_L = I_{LIM} + \frac{V_{IN(min)} \cdot D}{L \cdot f} \quad \text{with } D = 1 - \frac{V_{IN(min)} \cdot \eta}{V_{OUT}} \quad (7)$$

Regarding the example from above the current ripple ( $\Delta I_L$ ) will be 290 mA and therefore an inductor with a rated current of about 800 mA should be used.

The TPS61251 device is designed to work with inductor values between 1  $\mu$ H and 2.2  $\mu$ H. TI recommends a 1.5  $\mu$ H inductor for typical applications. In space constrained applications, it might be possible to consider smaller inductor values depending on the targeted inductor ripple current. Therefore, the inductor value can be reduced down to 1  $\mu$ H without degrading the stability.

In regular boost converter designs the current through the inductor is defined by the switch current limit of the converters switches and therefore bigger inductors have to be chosen. The TPS61251 device allows the design engineer to reduce the current limit to the needs of the application regardless the maximum switch current limit of the converter. Programming a lower current value allows the use of smaller inductors without the danger to get into saturation.

### 10.2.2.6 Output Capacitor

The second energy storing device is the output capacitor. When selecting output capacitors for large pulsed loads, the magnitude and duration of the pulsing current, together with the ripple voltage specification, determine the choice of the output capacitor. Both the ESR of the capacitor and the charge stored in the capacitor each cycle contribute to the output voltage ripple. The ripple due to the charge is approximately what results from [Equation 8](#).

$$V_{RIPPLE(mV)} = \frac{I_{PULSE} - I_{STANDBY} \cdot t_{on}}{C_{OUT}}$$

where

- $I_{PULSE}$  and  $t_{ON}$  are the peak current and on time during transmission burst.
  - $I_{STANDBY}$  is the current in standby mode.
- (8)

The above is a worst-case approximation assuming all the pulsing energy comes from the output capacitor.

The ripple due to the capacitor ESR is defined by [Equation 9](#).

$$\Delta V_{ESR} = (I_{PULSE} - I_{STANDBY}) \cdot ESR \quad (9)$$

High capacitance values and low ESR can lead to instability in some internally compensated boost converters. The internal loop compensation of the TPS61251 device is optimized to be stable with output capacitor values greater than 150  $\mu$ F with very low ESR.

Because big bulk capacitors can not be placed very close to the IC, it is required to put a small ceramic capacitor of about 4.7  $\mu$ F as close as possible to the output terminals. This will reduce parasitic effects that can influence the functionality of the converter.

**Table 3. List Of Bulk Capacitors**

VENDOR (alphabetical order)	CAPACITANCE	PART NUMBER
Kemet	470 $\mu$ F, 6.3 V, 55 m $\Omega$	T520W477M006ATE055
Sanyo	470 $\mu$ F, 6.3 V, 35 m $\Omega$	6TPE470MAZU

### 10.2.2.7 Input Capacitor

Multilayer ceramic capacitors are an excellent choice for input decoupling of the step-up converter as they have extremely low ESR and are available in small form factors. Input capacitors should be located as close as possible to the device. While a 10- $\mu$ F input capacitor is sufficient for most applications, larger values may be used to reduce input current ripple on the supply rail without limitations. Although low ESR tantalum capacitors may be used.

#### NOTE

**DC Bias effect:** High capacitance ceramic capacitors have a DC Bias effect, which has a strong influence on the final effective capacitance. Therefore, the right capacitor value has to be chosen very carefully. Package size and voltage rating in combination with material are responsible for differences between the rated capacitor value and the effective capacitance. A 10-V rated 0805 capacitor with 10  $\mu$ F can have an effective capacitance of less 5  $\mu$ F at an output voltage of 5 V.

### 10.2.2.8 Checking Loop Stability

The first step of circuit and stability evaluation is to look from a steady-state perspective at the following signals:

- Switching node, SW
- Inductor current,  $I_L$
- Output ripple voltage,  $V_{OUT(AC)}$

These are the basic signals that need to be measured when evaluating a switching converter. When the switching waveform shows large duty cycle jitter or the output voltage or inductor current shows oscillations, the regulation loop may be unstable. This is often a result of board layout and/or L-C combination.

As a next step in the evaluation of the regulation loop, the load transient response is tested. The time between the load transient takes place and the turn on of the PMOS switch, the output capacitor must supply all of the current required by the load.  $V_{OUT}$  immediately shifts by an amount equal to  $\Delta I_{(LOAD)} \times ESR$ , where ESR is the effective series resistance of  $C_{OUT}$ .  $\Delta I_{(LOAD)}$  begins to charge or discharge  $C_{OUT}$  generating a feedback error signal used by the regulator to return  $V_{OUT}$  to its steady-state value. The results are most easily interpreted when the device operates in PWM mode.

During this recovery time,  $V_{OUT}$  can be monitored for settling time, overshoot or ringing that helps judge the converter's stability. Without any ringing, the loop has usually more than 45° of phase margin. Because the damping factor of the circuitry is directly related to several resistive parameters (for example, MOSFET  $r_{DS(on)}$ ) that are temperature dependant, the loop stability analysis has to be done over the input voltage range, load current range, and temperature range.

## 10.2.3 Application Curves

**Table 4. Table Of Graphs**

DESCRIPTION		FIGURE
Waveforms	Load transient response (Tantal Capacitor 2.3 mF with >60 m $\Omega$ ESR, $V_{OUT}$ = 5.5 V, $V_{IN}$ = 3.6 V, $I_{LIM}$ = 1000 mA, Load change from 50 mA to 550 mA)	<a href="#">Figure 7</a>
	Load transient response (6 $\times$ 330- $\mu$ F Polymer Tantal <5 m $\Omega$ ESR in total, $V_{OUT}$ = 5.5 V, $V_{IN}$ = 3.6 V, $I_{LIM}$ = 1000 mA, Load change from 500 mA to 1500 mA)	<a href="#">Figure 8</a>
	Start-up after enable ( $V_{OUT}$ = 5.5 V, $V_{IN}$ = 3.6 V, $I_{LIM}$ = 1000 mA)	<a href="#">Figure 9</a>
	Start-up after enable ( $V_{OUT}$ = 5.5 V, $V_{IN}$ = 3.6 V, $I_{LIM}$ = 500 mA)	<a href="#">Figure 10</a>

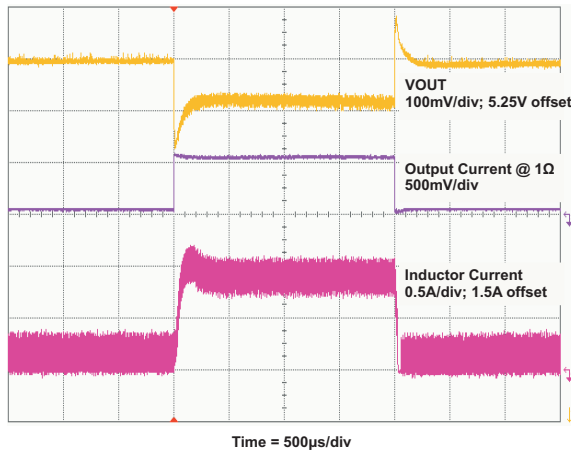


Figure 7. Load Transient Response (Tantal Capacitor)

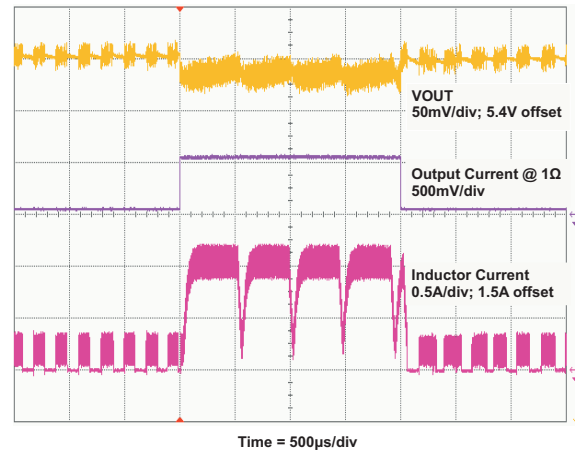


Figure 8. Load Transient Response (Low ESR Polymer Tantal)

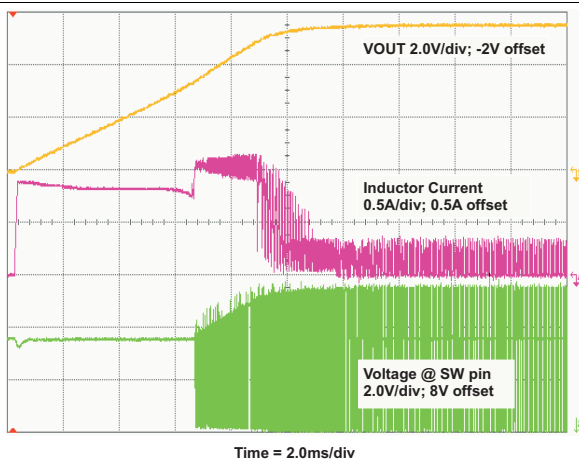


Figure 9. Start-Up After Enable  $I_{LIM} = 1000 \text{ mA}$ , No Load

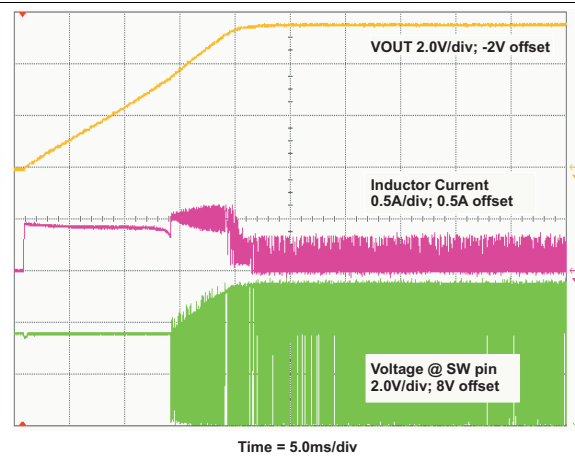


Figure 10. Start-Up After Enable  $I_{LIM} = 500 \text{ mA}$ , No Load

Table 5 lists the components used for the waveform measurements.

Table 5. List Of Components

REFERENCE	DESCRIPTION	MANUFACTURER
U1	TPS61251	Texas Instruments
L1	1 $\mu\text{H}$ , 2.1 A, 27 m $\Omega$ , 2.8 mm x 2.8 mm x 1.5 mm	DEM2815C, TOKO
C1	1 x 4.7 $\mu\text{F}$ , 10 V, 0805, X7R ceramic	GRM21BR71A475KA73, Murata
C2	1 x 1000 pF, 50 V, 0603, COG ceramic	GRM1885C1H102JA01B, Murata
C3	1 x 4.7 $\mu\text{F}$ , 10 V, 0805, X7R ceramic	GRM21BR71A475KA73, Murata
C4	20 x 100 uF, 6.3 V, 1206, X5R	GRM31CR60J107ME39B, Murata
R1	Depending on the output voltage of TPS61251, 1% (all waveform measurements with 5.5 V output voltage uses 1000 k $\Omega$ )	
R2	Depending on the output voltage of TPS61251, 1% (all waveform measurements with 5 V output voltage uses 280 k $\Omega$ )	
R3	Depending on the input current limit of TPS61251, 1%	



**Table 5. List Of Components (continued)**

REFERENCE	DESCRIPTION	MANUFACTURER
R4	1 M $\Omega$ , 1%	any

## 11 Power Supply Recommendations

The power supply can be a three-cell alkaline, NiCd or NiMH battery, or a one-cell Li-Ion or Li-polymer battery. The input supply should be well regulated with the rating of the TPS61251 device. If the input supply is located more than a few inches from the device, additional bulk capacitance may be required in addition to the ceramic bypass capacitors. An electrolytic or tantalum capacitor with a value of 47  $\mu\text{F}$  is a typical choice.

## 12 Layout

### 12.1 Layout Guidelines

For all switching power supplies, the layout is an important step in the design, especially at high peak currents and high switching frequencies. If the layout is not carefully done, the regulator could show stability problems as well as EMI problems. Therefore, use wide and short traces for the main current path and for the power ground tracks. The input capacitor, output capacitor, and the inductor should be placed as close as possible to the IC. Use a common ground node for power ground and a different one for control ground to minimize the effects of ground noise. Connect these ground nodes at any place close to one of the ground pins of the IC.

The feedback divider should be placed close to the IC to keep the feedback connection short. To lay out the ground, short traces and wide are recommended. This avoids ground shift problems, which can occur due to superimposition of power ground current and the feedback divider.

### 12.2 Layout Example

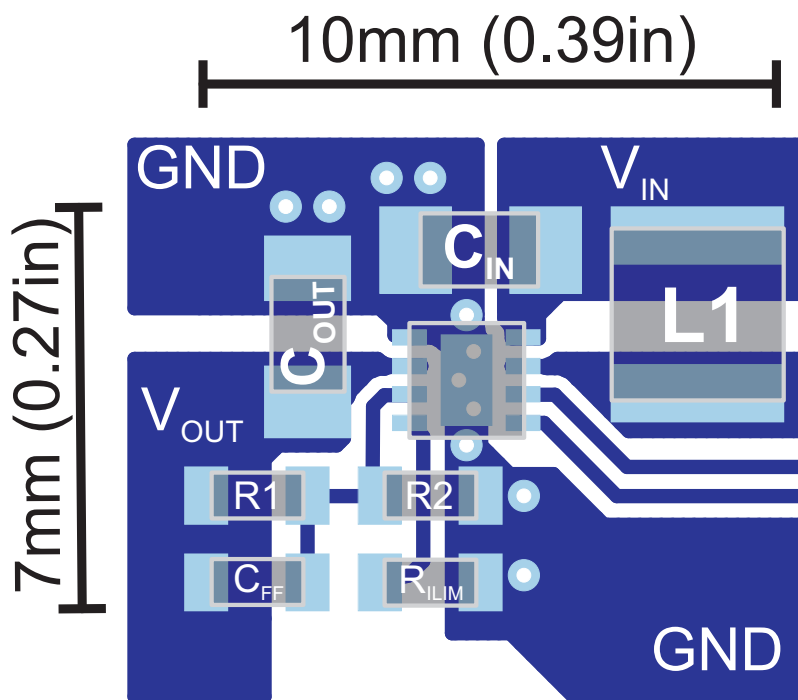


Figure 11. Suggested Layout Without Bulk Capacitors (Top)

### 12.3 Thermal Consideration

Implementation of integrated circuits in low-profile and fine-pitch surface-mount packages typically requires special attention to power dissipation. Many system-dependant issues such as thermal coupling, airflow, added heat sinks and convection surfaces, and the presence of other heat-generating components affect the power-dissipation limits of a given component.

Three basic approaches for enhancing thermal performance are listed below:

- Improving the power dissipation capability of the PCB design
  - For example, increase of the GND plane on the top layer which is connected to the exposed thermal pad
  - Use thicker copper layer
- Improving the thermal coupling of the component to the PCB
- Introducing airflow in the system

Junction-to-ambient thermal resistance is highly application and board-layout dependent. In applications where high maximum power dissipation exists, special care must be paid to thermal dissipation issues in board design. The maximum junction temperature ( $T_J$ ) of the TPS61251 device is 150°C.

## 13 器件和文档支持

### 13.1 器件支持

#### 13.1.1 第三方产品免责声明

TI 发布的与第三方产品或服务有关的信息，不能构成与此类产品或服务或保修的适用性有关的认可，不能构成此类产品或服务单独或与任何 TI 产品或服务一起的表示或认可。

### 13.2 开发支持

#### 13.2.1 使用 WEBENCH® 工具创建定制设计

[单击此处](#)，使用 TPS61251 器件并借助 WEBENCH® 电源设计器创建定制设计方案。

1. 首先输入输入电压 ( $V_{IN}$ )、输出电压 ( $V_{OUT}$ ) 和输出电流 ( $I_{OUT}$ ) 要求。
2. 使用优化器拨盘优化该设计的关键参数，如效率、尺寸和成本。
3. 将生成的设计与德州仪器 (TI) 的其他可行的解决方案进行比较。

WEBENCH 电源设计器可提供定制原理图以及罗列实时价格和组件供货情况的物料清单。

在多数情况下，可执行以下操作：

- 运行电气仿真，观察重要波形以及电路性能
- 运行热性能仿真，了解电路板热性能
- 将定制原理图和布局方案以常用 CAD 格式导出
- 打印设计方案的 PDF 报告并与同事共享

有关 WEBENCH 工具的详细信息，请访问 [www.ti.com.cn/WEBENCH](http://www.ti.com.cn/WEBENCH)。

### 13.3 接收文档更新通知

要接收文档更新通知，请导航至 [TI.com.cn](http://TI.com.cn) 上的器件产品文件夹。单击右上角的 [通知我](#) 进行注册，即可每周接收产品信息更改摘要。有关更改的详细信息，请查看任何已修订文档中包含的修订历史记录。

### 13.4 社区资源

下列链接提供到 TI 社区资源的连接。链接的内容由各个分销商“按照原样”提供。这些内容并不构成 TI 技术规范，并且不一定反映 TI 的观点；请参阅 TI 的 [《使用条款》](#)。

**TI E2E™ Online Community** *TI's Engineer-to-Engineer (E2E) Community*. Created to foster collaboration among engineers. At [e2e.ti.com](http://e2e.ti.com), you can ask questions, share knowledge, explore ideas and help solve problems with fellow engineers.

**Design Support** *TI's Design Support* Quickly find helpful E2E forums along with design support tools and contact information for technical support.

### 13.5 商标

E2E is a trademark of Texas Instruments.

WEBENCH is a registered trademark of Texas Instruments.

All other trademarks are the property of their respective owners.

### 13.6 静电放电警告



这些装置包含有限的内置 ESD 保护。存储或装卸时，应将导线一起截短或将装置放置于导电泡棉中，以防止 MOS 门极遭受静电损伤。

### 13.7 术语表

**SLYZ022** — TI 术语表。

这份术语表列出并解释术语、缩写和定义。

## 14 机械、封装和可订购信息

以下页面包含机械、封装和可订购信息。这些信息是指定器件的最新可用数据。数据如有变更，恕不另行通知，且不会对此文档进行修订。如需获取此数据表的浏览器版本，请查阅左侧的导航栏。

**PACKAGING INFORMATION**

Orderable part number	Status (1)	Material type (2)	Package   Pins	Package qty   Carrier	RoHS (3)	Lead finish/ Ball material (4)	MSL rating/ Peak reflow (5)	Op temp (°C)	Part marking (6)
<a href="#">TPS61251DSGR</a>	Active	Production	WSON (DSG)   8	3000   LARGE T&R	Yes	NIPDAU   NIPDAUAG	Level-2-260C-1 YEAR	-40 to 125	QTH
<a href="#">TPS61251DSGT</a>	Active	Production	WSON (DSG)   8	250   SMALL T&R	Yes	NIPDAU   NIPDAUAG	Level-2-260C-1 YEAR	-40 to 125	QTH

(1) **Status:** For more details on status, see our [product life cycle](#).

(2) **Material type:** When designated, preproduction parts are prototypes/experimental devices, and are not yet approved or released for full production. Testing and final process, including without limitation quality assurance, reliability performance testing, and/or process qualification, may not yet be complete, and this item is subject to further changes or possible discontinuation. If available for ordering, purchases will be subject to an additional waiver at checkout, and are intended for early internal evaluation purposes only. These items are sold without warranties of any kind.

(3) **RoHS values:** Yes, No, RoHS Exempt. See the [TI RoHS Statement](#) for additional information and value definition.

(4) **Lead finish/Ball material:** Parts may have multiple material finish options. Finish options are separated by a vertical ruled line. Lead finish/Ball material values may wrap to two lines if the finish value exceeds the maximum column width.

(5) **MSL rating/Peak reflow:** The moisture sensitivity level ratings and peak solder (reflow) temperatures. In the event that a part has multiple moisture sensitivity ratings, only the lowest level per JEDEC standards is shown. Refer to the shipping label for the actual reflow temperature that will be used to mount the part to the printed circuit board.

(6) **Part marking:** There may be an additional marking, which relates to the logo, the lot trace code information, or the environmental category of the part.

Multiple part markings will be inside parentheses. Only one part marking contained in parentheses and separated by a "~" will appear on a part. If a line is indented then it is a continuation of the previous line and the two combined represent the entire part marking for that device.

**Important Information and Disclaimer:** The information provided on this page represents TI's knowledge and belief as of the date that it is provided. TI bases its knowledge and belief on information provided by third parties, and makes no representation or warranty as to the accuracy of such information. Efforts are underway to better integrate information from third parties. TI has taken and continues to take reasonable steps to provide representative and accurate information but may not have conducted destructive testing or chemical analysis on incoming materials and chemicals. TI and TI suppliers consider certain information to be proprietary, and thus CAS numbers and other limited information may not be available for release.

In no event shall TI's liability arising out of such information exceed the total purchase price of the TI part(s) at issue in this document sold by TI to Customer on an annual basis.

**TAPE AND REEL INFORMATION**

**QUADRANT ASSIGNMENTS FOR PIN 1 ORIENTATION IN TAPE**


\*All dimensions are nominal

Device	Package Type	Package Drawing	Pins	SPQ	Reel Diameter (mm)	Reel Width W1 (mm)	A0 (mm)	B0 (mm)	K0 (mm)	P1 (mm)	W (mm)	Pin1 Quadrant
TPS61251DSGR	WSON	DSG	8	3000	178.0	8.4	2.25	2.25	1.0	4.0	8.0	Q2
TPS61251DSGT	WSON	DSG	8	250	179.0	8.4	2.2	2.2	1.2	4.0	8.0	Q2
TPS61251DSGT	WSON	DSG	8	250	178.0	8.4	2.25	2.25	1.0	4.0	8.0	Q2

**TAPE AND REEL BOX DIMENSIONS**


\*All dimensions are nominal

Device	Package Type	Package Drawing	Pins	SPQ	Length (mm)	Width (mm)	Height (mm)
TPS61251DSGR	WSON	DSG	8	3000	205.0	200.0	33.0
TPS61251DSGT	WSON	DSG	8	250	213.0	191.0	35.0
TPS61251DSGT	WSON	DSG	8	250	205.0	200.0	33.0



## GENERIC PACKAGE VIEW

**DSG 8**

**WSON - 0.8 mm max height**

2 x 2, 0.5 mm pitch

PLASTIC SMALL OUTLINE - NO LEAD

This image is a representation of the package family, actual package may vary.  
Refer to the product data sheet for package details.



4224783/A

# DSG0008A



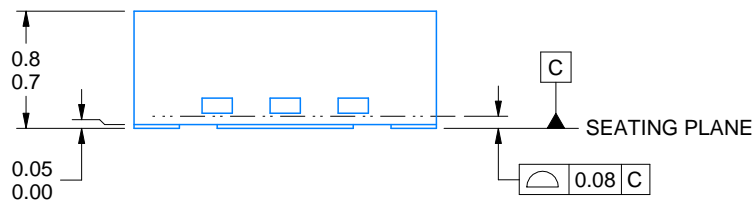
# PACKAGE OUTLINE

## WSON - 0.8 mm max height

PLASTIC SMALL OUTLINE - NO LEAD



ALTERNATIVE TERMINAL SHAPE TYPICAL



SIDE WALL METAL THICKNESS DIM A	
OPTION 1	OPTION 2
0.1	0.2



4218900/E 08/2022

### NOTES:

1. All linear dimensions are in millimeters. Any dimensions in parenthesis are for reference only. Dimensioning and tolerancing per ASME Y14.5M.
2. This drawing is subject to change without notice.
3. The package thermal pad must be soldered to the printed circuit board for thermal and mechanical performance.

# EXAMPLE BOARD LAYOUT

DSG0008A

WSON - 0.8 mm max height

PLASTIC SMALL OUTLINE - NO LEAD



LAND PATTERN EXAMPLE  
SCALE:20X



SOLDER MASK DETAILS

4218900/E 08/2022

NOTES: (continued)

4. This package is designed to be soldered to a thermal pad on the board. For more information, see Texas Instruments literature number SLUA271 ([www.ti.com/lit/slua271](http://www.ti.com/lit/slua271)).
5. Vias are optional depending on application, refer to device data sheet. If any vias are implemented, refer to their locations shown on this view. It is recommended that vias under paste be filled, plugged or tented.

# EXAMPLE STENCIL DESIGN

DSG0008A

WSON - 0.8 mm max height

PLASTIC SMALL OUTLINE - NO LEAD



SOLDER PASTE EXAMPLE  
BASED ON 0.125 mm THICK STENCIL

EXPOSED PAD 9:  
87% PRINTED SOLDER COVERAGE BY AREA UNDER PACKAGE  
SCALE:25X

4218900/E 08/2022

NOTES: (continued)

6. Laser cutting apertures with trapezoidal walls and rounded corners may offer better paste release. IPC-7525 may have alternate design recommendations.

## 重要通知和免责声明

TI“按原样”提供技术和可靠性数据（包括数据表）、设计资源（包括参考设计）、应用或其他设计建议、网络工具、安全信息和其他资源，不保证没有瑕疵且不做任何明示或暗示的担保，包括但不限于对适销性、某特定用途方面的适用性或不侵犯任何第三方知识产权的暗示担保。

这些资源可供使用 TI 产品进行设计的熟练开发人员使用。您将自行承担以下全部责任：(1) 针对您的应用选择合适的 TI 产品，(2) 设计、验证并测试您的应用，(3) 确保您的应用满足相应标准以及任何其他功能安全、信息安全、监管或其他要求。

这些资源如有变更，恕不另行通知。TI 授权您仅可将这些资源用于研发本资源所述的 TI 产品的相关应用。严禁以其他方式对这些资源进行复制或展示。您无权使用任何其他 TI 知识产权或任何第三方知识产权。您应全额赔偿因在这些资源的使用中对 TI 及其代表造成的任何索赔、损害、成本、损失和债务，TI 对此概不负责。

TI 提供的产品受 [TI 的销售条款](#) 或 [ti.com](#) 上其他适用条款/TI 产品随附的其他适用条款的约束。TI 提供这些资源并不会扩展或以其他方式更改 TI 针对 TI 产品发布的适用的担保或担保免责声明。

TI 反对并拒绝您可能提出的任何其他或不同的条款。

邮寄地址：Texas Instruments, Post Office Box 655303, Dallas, Texas 75265  
版权所有 © 2025，德州仪器 (TI) 公司