

TPS40170 4.5V 至 60V 宽输入同步 PWM 降压控制器

1 特性

- 可提供新款类似产品：
 - LM5145** 宽输入电压和占空比范围 75V 同步降压控制器
 - LM5146** 宽占空比范围 100V 同步直流/直流降压控制器
- 宽输入电压范围：4.5V 至 60V
- 600mV 基准电压，精度为 1%
- 可编程 UVLO 与迟滞功能
- 具有电压前馈的电压模式控制
- 可编程频率范围：100kHz 至 600kHz
- 可通过主要或辅助选项实现双向频率同步
- 提供基于低侧 FET 检测的过流保护与基于高侧 FET 检测的短路保护，具有集成式热补偿功能
- 可编程闭环软启动
- 支持预偏置输出
- 165°C 热关断，具有迟滞功能
- 电压跟踪
- 电源正常状态指示
- ENABLE 支持 1 μ A 低电流关断
- 提供 8.0V 和 3.3V LDO 输出
- 集成自举二极管
- 20 引脚 3.5mm \times 4.5mm VQFN (RGY) 封装
- 使用 **WEBENCH[®]** 工具创建定制设计

2 应用

- POL 模块
- 适用于工业、网络以及电信设备的宽输入电压、高功率密度直流/直流转换器

3 说明

TPS40170 是一款功能齐全的同步 PWM 降压控制器，工作输入电压介于 4.5V 至 60V 之间，并针对高功率密

度、高可靠性的直流/直流转换器应用进行了优化。该控制器通过输入电压前馈补偿实现电压模式控制，可在输入电压变化时即时响应。此器件具有 100kHz 至 600kHz 的可编程开关频率。

TPS40170 具有整套系统保护和监控特性，例如可编程欠压锁定 (UVLO)、通过检测低侧 FET 实现的可编程过流保护 (OCP)、通过检测高侧 FET 实现的可选短路保护 (SCP) 和热关断。通过 ENABLE 引脚，系统能够在低电流 (典型值 1 μ A) 模式下进行关断。控制器支持预偏置输出，提供开漏电源正常 (PGOOD) 信号，并具有闭环软启动、输出电压跟踪以及自适应死区时间控制功能。

TPS40170 可通过 1% 确保精度实现准确的输出电压调节。此外，该控制器还采用新型双向同步方案，即一个控制器作为主要控制器，其他下游控制器作为辅助控制器，辅助控制器可与主要控制器同相或 180° 异相同步。辅助控制器可在自由运行开关频率的 $\pm 30\%$ 范围内与外部时钟同步。

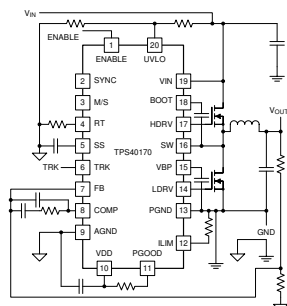
新款产品 (LM5145 和 LM5146) 具有 BOM 成本低、效率高、设计尺寸小等诸多特性。

封装信息

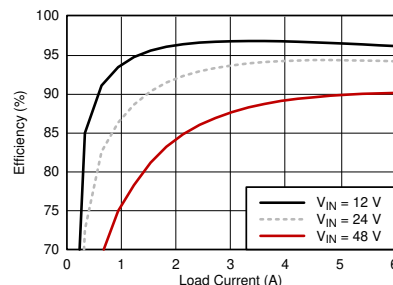
器件型号	封装 ⁽¹⁾	封装尺寸 ⁽²⁾
TPS40170	RGY (VQFN, 20)	4.50mm \times 3.50mm

(1) 有关所有可选封装，请参阅节 10。

(2) 封装尺寸 (长 \times 宽) 为标称值，并包括引脚 (如适用)。



简化版应用



效率与负载电流之间的关系



Table of Contents

1 特性	1	7 Application and Implementation	29
2 应用	1	7.1 Application Information.....	29
3 说明	1	7.2 Typical Application	29
4 Pin Configuration and Functions	3	7.3 Power Supply Recommendations.....	36
5 Specifications	4	7.4 Layout.....	36
5.1 Absolute Maximum Ratings.....	4	8 Device and Documentation Support	41
5.2 Handling Ratings	4	8.1 Device Support.....	41
5.3 Recommended Operating Conditions.....	4	8.2 Documentation Support.....	41
5.4 Thermal Information.....	5	8.3 接收文档更新通知.....	41
5.5 Electrical Characteristics.....	5	8.4 支持资源.....	41
5.6 Typical Characteristics.....	8	8.5 Trademarks.....	41
6 Detailed Description	11	8.6 静电放电警告.....	42
6.1 Overview.....	11	8.7 术语表.....	42
6.2 Functional Block Diagram.....	11	9 Revision History	42
6.3 Feature Description.....	12	10 Mechanical, Packaging, and Orderable	
6.4 Device Functional Modes.....	26	Information	42

4 Pin Configuration and Functions

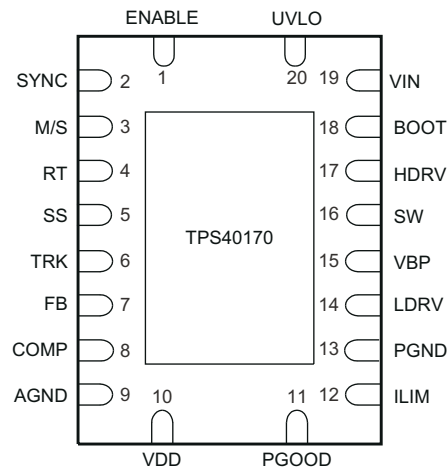


图 4-1. RGY PACKAGE, QFN-20 (Top View)

表 4-1. Pin Functions

PIN		TYPE (1)	DESCRIPTION
NAME	NO.		
AGND	9	—	Analog signal ground. This pin must be electrically connected to power ground PGND externally.
BOOT	18	O	Boot capacitor node for high-side FET gate driver. The boot capacitor is connected from this pin to SW.
COMP	8	O	Output of the internal error amplifier. The feedback loop compensation network is connected from this pin to the FB pin.
ENABLE	1	I	This pin must be high for the device to be enabled. If this pin is pulled low, the device is put in a low-power consumption shutdown mode.
FB	7	I	Negative input to the error amplifier. The output voltage is fed back to this pin through a resistor divider network.
HDRV	17	O	Gate driver output for the high-side FET.
ILIM	12	I	A resistor from this pin to PGND sets the overcurrent limit. This pin provides source current used for overcurrent protection threshold setting.
LDRV	14	O	Gate driver output for the low-side FET. Also, a resistor from this pin to PGND sets the multiplier factor to determine short-circuit current limit. If no resistor is present the multiplier defaults to 7 times the ILIM pin voltage.
M/S	3	I	Primary or secondary mode selector pin for frequency synchronization. This pin must be tied to VIN for primary mode. In the secondary mode this pin must be tied to AGND or left floating. If the pin is tied to AGND, the device synchronizes with a 180° phase shift. If the pin is left floating, the device synchronizes with a 0° phase shift.
PGND	13	—	Power ground. This pin must externally connect to the AGND at a single point.
PGOOD	11	O	Power good indicator. This pin is an open-drain output pin and a 10 kΩ pull-up resistor is recommended to be connected between this pin and VDD.
RT	4	I	A resistor from this pin to AGND sets the oscillator frequency. Even if operating in secondary mode, it is required to have a resistor at this pin to set the free running switching frequency.
SS	5	I	Soft-start. A capacitor must be connected at this pin to AGND. The capacitor value sets the soft-start time.
SW	16	I	This pin must connect to the switching node of the synchronous buck converter. The high-side and low-side FET current sensing are also done from this node.
SYNC	2	I/O	Synchronization. This is a bi-directional pin used for frequency synchronization. In the primary mode, it is the SYNC output pin. In the secondary mode, it is a SYNC input pin. If unused, this pin can be left open.
TRK	6	I	Tracking. External signal at this pin is used for output voltage tracking. This pin goes directly to the internal error amplifier as a positive reference. The lesser of the voltages between V_{TRK} and the internal 600 mV reference sets the output voltage. If not used, this pin must be pulled up to VDD.

表 4-1. Pin Functions (续)

PIN		TYPE (1)	DESCRIPTION
NAME	NO.		
UVLO	20	I	Undervoltage lockout. A resistor divider on this pin from VIN to AGND can be used to set the UVLO threshold.
VBP	15	O	8 V regulated output for gate driver. A ceramic capacitor with a value from 1 μ F to 10 μ F must be connected from this pin to PGND and placed close to this pin.
VDD	10	O	3.3 V regulated output. A ceramic by-pass capacitor with a value from 0.1 μ F to 1 μ F must be connected from this pin to AGND and placed close to this pin.
VIN	19	I	Input voltage for the controller which is also the input voltage for the DC/DC converter. A ceramic by-pass capacitor with a value from 0.1 μ F to 1 μ F must be connected from this pin to PGND and placed close to this pin.

(1) I = input, O = output

5 Specifications

5.1 Absolute Maximum Ratings

over operating free-air temperature range (unless otherwise noted)

		MIN	MAX	UNIT
Input voltage	VIN	- 0.3	62	V
	M/S	- 0.3	VIN	
	UVLO	- 0.3	16	
	SW	- 5	V _{VIN}	
	SW (for duration less than 200 ns)	- 10	V _{VIN}	
	BOOT		V _{SW} + 8.8	
Output voltage	HDRV	V _{SW}	BOOT	V
	BOOT-SW, HDRV-SW (differential from BOOT or HDRV to SW)	- 0.3	8.8	
	VBP, LDRV, COMP, RT, ENABLE, PGOOD, SYNC	- 0.3	8.8	
	VDD, FB, TRK, SS, ILIM	- 0.3	3.6	
	AGND-PGND, PGND-AGND	200	200	mV
	PowerPAD to AGND (must be electrically connected external to device)		0	
Lead Temperature			260	°C
Operating junction temperature	T _J	- 40	125	°C

5.2 Handling Ratings

		MIN	MAX	UNIT
T _{stg}	Storage temperature	- 55	150	°C
V _(ESD)	Electrostatic discharge	Human body model (HBM), per ANSI/ESDA/JEDEC JS-001, all pins ⁽¹⁾		V
		Charged device model (CDM), per JEDEC specification JESD22-C101, all pins ⁽²⁾		

(1) JEDEC document JEP155 states that 500-V HBM allows safe manufacturing with a standard ESD control process.

(2) JEDEC document JEP157 states that 250-V CDM allows safe manufacturing with a standard ESD control process.

5.3 Recommended Operating Conditions

over operating free-air temperature range (unless otherwise noted)

		MIN	MAX	UNIT
V _{IN}	Input voltage	4.5	60	V
T _J	Operating junction temperature range	-40	125	°C

5.4 Thermal Information

THERMAL METRIC ⁽¹⁾	TPS40170			UNIT	
	RGY				
	20 PINS				
R _{θJA}	Junction-to-ambient thermal resistance	35.0			°C/W
R _{θJC(top)}	Junction-to-case(top) thermal resistance	36.7			
R _{θJB}	Junction-to-board thermal resistance	12.6			
ψ _{JT}	Junction-to-top characterization parameter	0.4			
ψ _{JB}	Junction-to-board characterization parameter	12.7			
R _{θJC(bot)}	Junction-to-case(bottom) thermal resistance	3.1			

(1) For more information about traditional and new thermal metrics, see the *IC Package Thermal Metrics* application report, [SPRA953](#).

Unless otherwise stated, these specifications apply for $-40^{\circ}\text{C} \leq T_J \leq 125^{\circ}\text{C}$, V_{VIN}=12 V

5.5 Electrical Characteristics

PARAMETER	TEST CONDITIONS	MIN	TYP	MAX	UNIT		
INPUT SUPPLY							
V _{VIN}	Input voltage range	4.5		60	V		
I _{SD}	Shutdown current	V _{ENABLE} < 100 mV		1	2.5	μA	
I _Q	Operating current, drivers not switching	V _{ENABLE} ≥ 2 V, f _{SW} = 300 kHz			4.5	mA	
ENABLE							
V _{DIS}	ENABLE pin voltage to disable the device			100	mV		
V _{EN}	ENABLE pin voltage to enable the device	600					
I _{ENABLE}	ENABLE pin source current			300	nA		
8-V AND 3.3-V REGULATORS							
V _{BP}	8 V regulator output voltage	V _{ENABLE} ≥ 2 V, 8.2 V < V _{IN} ≤ 60 V, 0 mA < I _{IN} < 20 mA		7.8	8.0	8.3	V
V _{DO}	8 V regulator dropout voltage, V _{IN-BP}	4.5 < V _{IN} ≤ 8.2 V, V _{EN} ≥ 2.0 V, I _{IN} = 10 mA			110	200	mV
V _{VDD}	3.3 V regulator output voltage	V _{ENABLE} ≥ 2 V, 4.5 V < V _{IN} ≤ 60 V, 0 mA < I _{IN} < 5 mA		3.22	3.30	3.42	V
FIXED AND PROGRAMMABLE UVLO							
V _{UVLO}	Programmable UVLO ON voltage (at UVLO pin)	V _{ENABLE} ≥ 2 V		878	900	919	mV
I _{UVLO}	Hysteresis current out of UVLO pin	V _{ENABLE} ≥ 2 V, UVLO pin > V _{UVLO}		4.06	5.00	6.20	μA
V _{BP(ON)}	VBPTurn-on voltage	V _{ENABLE} ≥ 2 V, UVLO pin > V _{UVLO}		3.85		4.40	V
V _{BP(OFF)}	VBPTurn-off voltage			3.60		4.05	
V _{BP(HYS)}	VBPUVLO Hysteresis voltage			180		400	mV
REFERENCE							
V _{REF}	Reference voltage (+ input of the error amplifier)	T _J = 25°C, 4.5 V < V _{IN} ≤ 60 V		594	600	606	mV
		-40°C ≤ T _J ≤ 125°C, 4.5 V < V _{IN} ≤ 60 V		591	600	609	
OSCILLATOR							
f _{SW}	Switching frequency	Range (typical)		100		600	kHz
		R _{RT} = 100 kΩ, 4.5 V < V _{IN} ≤ 60 V		90	100	110	
		R _{RT} = 31.6 kΩ, 4.5 V < V _{IN} ≤ 60 V		270	300	330	
		R _{RT} = 14.3 kΩ, 4.5 V < V _{IN} ≤ 60 V		540	600	660	
V _{VALLEY}	Valley voltage	0.7	1	1.2	V		

5.5 Electrical Characteristics (续)

PARAMETER		TEST CONDITIONS	MIN	TYP	MAX	UNIT
$K_{PWM}^{(1)}$	PWM Gain (V_{IN} / V_{RAMP})	$4.5 V < V_{IN} \leq 60 V$	14	15	16	V/V
PWM AND DUTY CYCLE						
$t_{ON(min)}^{(1)}$	Minimum controlled pulse	$V_{IN} = 4.5 V, f_{SW} = 300 kHz$		100	150	ns
		$V_{IN} = 12 V, f_{SW} = 300 kHz$		75	100	
		$V_{IN} = 60 V, f_{SW} = 300 kHz$		50	80	
$t_{OFF(max)}^{(1)}$	Minimum OFF time	$V_{IN} = 12 V, f_{SW} = 300 kHz$		170	250	
$D_{MAX}^{(1)}$	Maximum duty cycle	$f_{SW} = 100 kHz, 4.5 V < V_{IN} \leq 60 V$		95%		
		$f_{SW} = 300 kHz, 4.5 V < V_{IN} \leq 60 V$		91%		
		$f_{SW} = 600 kHz, 4.5 V < V_{IN} \leq 60 V$		82%		
ERROR AMPLIFIER						
$GBWP^{(1)}$	Gain bandwidth product		7	10	13	MHz
$A_{OL}^{(1)}$	Open-loop gain		80	90	95	dB
I_{IB}	Input bias current				100	nA
I_{EAOP}	Output source current	$V_{FB} = 0 V$	2			mA
I_{EAOM}	Output sink current	$V_{FB} = 1 V$	2			
PROGRAMMABLE SOFT-START						
$I_{SS(source,start)}$	Soft-start source current at $V_{SS} < 0.5 V$	$V_{SS} = 0.25 V$	42	52	62	μA
$I_{SS(source,norm)}^{(1)}$	Soft-start source current at $V_{SS} > 0.5 V$	$V_{SS} = 1.5 V$	9.3	11.6	13.9	
$I_{SS(sink)}$	Soft-start sink current	$V_{SS} = 1.5 V$	0.77	1.05	1.33	
$V_{SS(ftH)}$	SS pin HIGH voltage during fault (OC or thermal) reset timing		2.38	2.50	2.61	V
$V_{SS(ftL)}$	SS pin LOW voltage during fault (OC or thermal) reset timing		235	300	375	mV
$V_{SS(steady_state)}$	SS pin voltage during steady-state		3.25	3.30	3.50	V
$V_{SS(offst)}$	Initial offset voltage from SS pin to error amplifier input		525	650	775	mV
TRACKING						
$V_{TRK(ctr)}^{(1)}$	Range of TRK which overrides V_{REF}	$4.5 V < V_{IN} \leq 60 V$	0		600	mV
SYNCHRONIZATION (PRIMARY/SECONDARY)						
V_{MSTR}	M/S pin voltage in primary mode		3.9		V_{IN}	V
$V_{SLV(0)}$	M/S pin voltage in secondary 0 deg mode		1.25		1.75	
$V_{SLV(180)}$	M/S pin voltage in secondary 180 deg mode		0		0.75	
$I_{SYNC(in)}$	SYNC pin pull-down current	M/S configured as secondary- 0 degrees or secondary-180 degrees	8	11	14	μA
$V_{SYNC(in_high)}$	SYNC pin input high-voltage level		2			V
$V_{SYNC(in_low)}$	SYNC pin input low-voltage level				0.8	
$t_{SYNC(high_min)}$	Minimum SYNC high pulse-width		40	50		ns
$t_{SYNC(low_min)}$	Minimum SYNC low pulse-width		40	50		
GATE DRIVERS						
R_{HDHI}	High-side driver pull-up resistance	$C_{LOAD} = 2.2 nF, I_{DRV} = 300 mA$	1.37	2.64	3.50	Ω
R_{HDLO}	High-side driver pull-down resistance		1.08	2.40	3.35	
R_{LDHI}	Low-side driver pull-up resistance		1.37	2.40	3.20	
R_{LDLO}	Low-side driver pull-down resistance		0.44	1.10	1.70	
$t_{NON-OVERLAP1}$	Time delay between HDRV fall and LDRV rise	$C_{LOAD} = 2.2 nF,$		50		ns
$t_{NON-OVERLAP2}$	Time delay between HDRV rise and LDRV fall	$V_{HDRV} = 2 V, V_{LDRV} = 2 V$		60		
OVERCURRENT PROTECTION (LOW-SIDE MOSFET SENSING)						
I_{ILIM}	ILIM pin source current	$4.5 V < V_{IN} < 60 V, T_J = 25^\circ C$	9.00	9.75	10.45	μA
$I_{ILIM(ss)}$	ILIM pin source current during Soft-start		15			
$I_{ILIM, Tc}^{(1)}$	Temperature coefficient of ILIM current	$4.5 V < V_{IN} < 60 V$		1400		ppm

5.5 Electrical Characteristics (续)

PARAMETER		TEST CONDITIONS	MIN	TYP	MAX	UNIT
$V_{ILIM}^{(1)}$	ILIM pin voltage operating range	$4.5\text{ V} < V_{IN} < 60\text{ V}$	50		300	mV
OCP_{TH}	Overcurrent protection threshold (Voltage across low-side FET for detecting overcurrent)	$R_{ILIM} = 10\text{ k}\Omega$, $I_{ILIM} = 10\text{ }\mu\text{A}$ ($V_{ILIM} = 100\text{ mV}$)	- 110	- 100	- 84	
SHORT CIRCUIT PROTECTION HIGH-SIDE MOSFET SENSING)						
$V_{LDRV(max)}$	LDRV pin maximum voltage during calibration	$R_{LDRV} = \text{open}$		300	360	mV
A_{OC3}	Multiplier factor to set the SCP based on OCP level setting at the ILIM pin	$R_{LDRV} = 10\text{ k}\Omega$	2.75	3.20	3.60	V/V
A_{OC7}		$R_{LDRV} = \text{open}$	6.40	7.25	7.91	
A_{OC15}		$R_{LDRV} = 20\text{ k}\Omega$	13.9	16.4	18.0	
THERMAL SHUTDOWN						
$T_{SD,set}^{(1)}$	Thermal shutdown set threshold	$4.5\text{ V} < V_{IN} < 60\text{ V}$	155	165	175	°C
$T_{SD,reset}^{(1)}$	Thermal shutdown reset threshold		125	135	145	
$T_{hyst}^{(1)}$	Thermal shutdown hysteresis			30		
POWERGOOD						
V_{OV}	FB pin voltage upper limit for power good	$4.5\text{ V} < V_{IN} < 60\text{ V}$	627	647	670	mV
V_{UV}	FB pin voltage lower limit for power good		527	552	570	
$V_{PG,HYST}$	Power good hysteresis voltage at FB pin		8.5	20.0	32.0	
$V_{PG(out)}$	PGOOD pin voltage when FB pin voltage $> V_{OV}$ or $< V_{UV}$, $I_{PGD} = 2\text{ mA}$				100	
$V_{PG(np)}$	PGOOD pin voltage when device power is removed	V_{IN} is open, $10\text{ k}\Omega$ to $V_{EXT} = 5\text{ V}$		1	1.5	V
BOOT DIODE						
V_{DFWD}	Bootstrap diode forward voltage	$I = 20\text{ mA}$	0.5	0.7	0.9	V
$R_{BOOT-SW}$	Discharge resistor from BOOT to SW			1		M Ω

(1) Specified by design. Not production tested.

5.6 Typical Characteristics

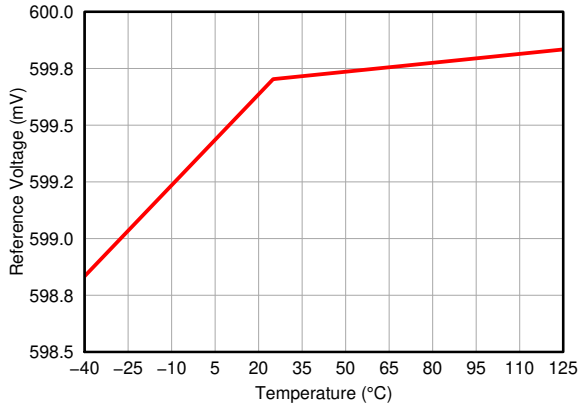


图 5-1. Reference Voltage vs. Junction Temperature

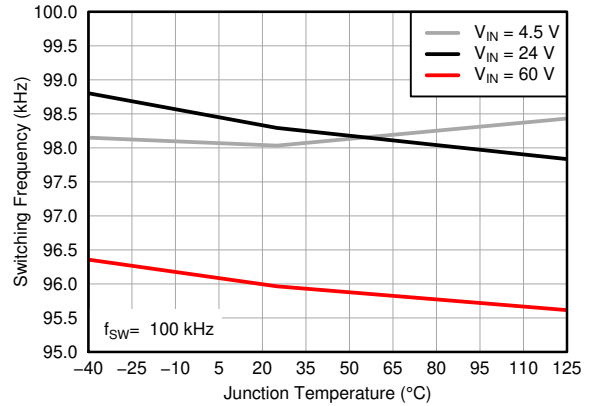


图 5-2. Switching Frequency vs. Junction Temperature (f_{sw} = 100 kHz)

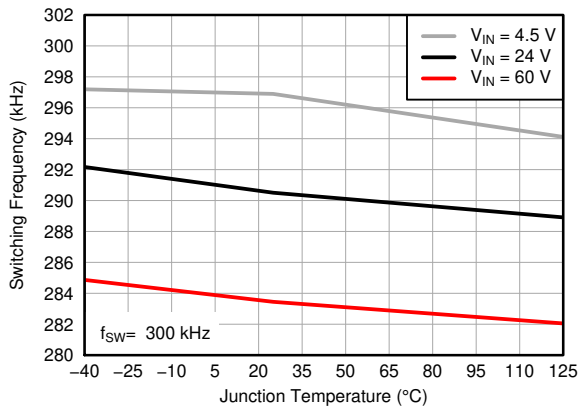


图 5-3. Switching Frequency vs. Junction Temperature (f_{sw} = 300 kHz)

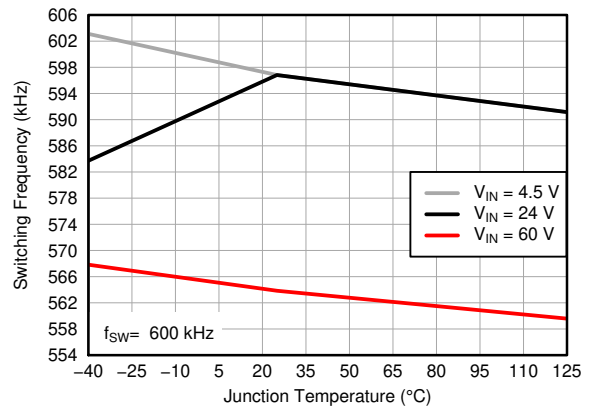


图 5-4. Switching Frequency vs. Junction Temperature (f_{sw} = 600 kHz)

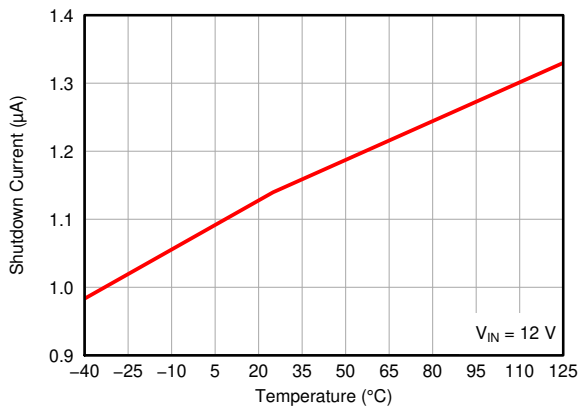


图 5-5. Shutdown Current vs. Junction Temperature

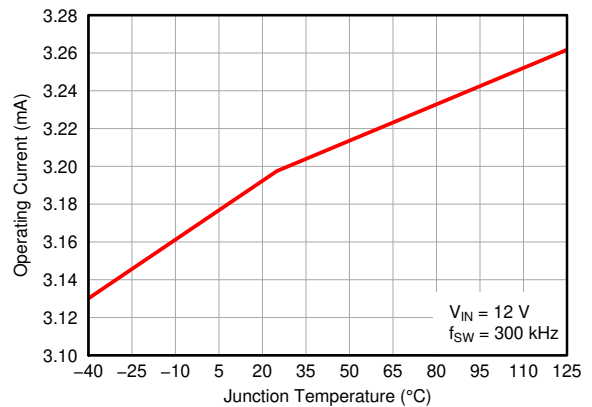


图 5-6. Operating Current vs. Junction Temperature

5.6 Typical Characteristics (continued)

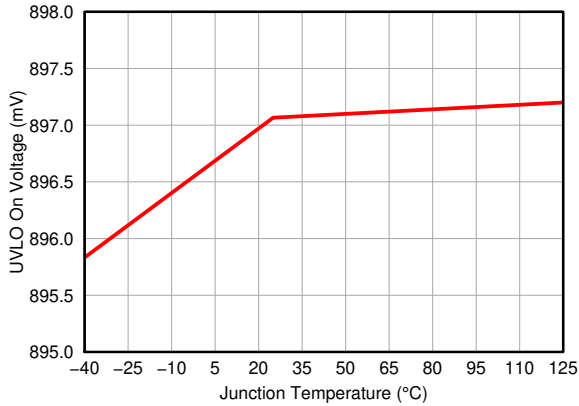


图 5-7. UVLO Pin On Voltage vs. Junction Temperature

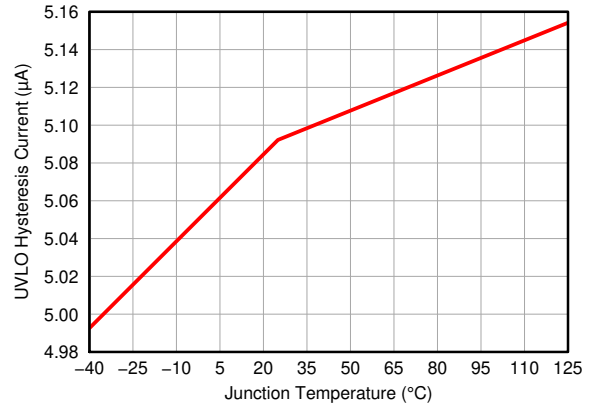


图 5-8. UVLO Pin Hysteresis Current vs. Junction Temperature

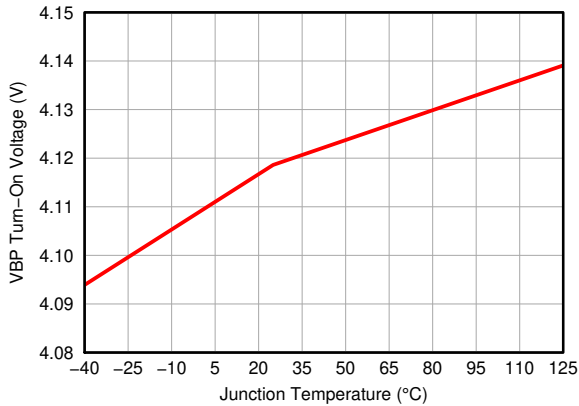


图 5-9. VBP Turn-On Voltage vs. Junction Temperature

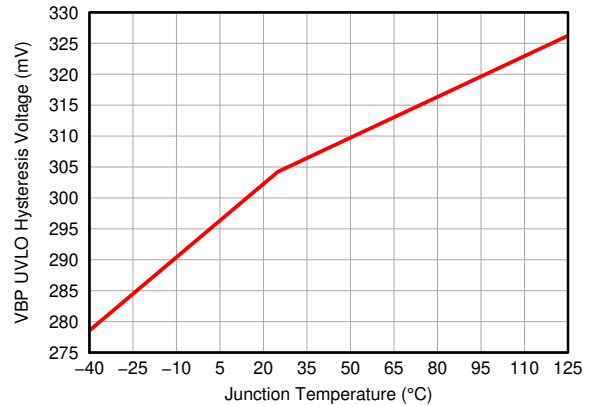


图 5-10. VBP UVLO Hysteresis Voltage

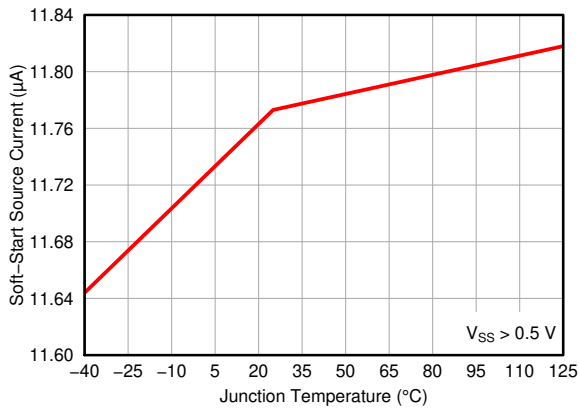


图 5-11. Soft-Start Source Current vs. Junction Temperature ($V_{SS} > 0.5 V$)

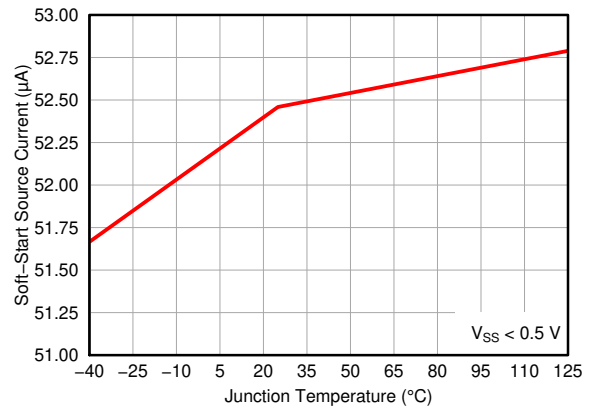


图 5-12. Soft-Start Source Current vs. Junction Temperature ($V_{SS} < 0.5 V$)

5.6 Typical Characteristics (continued)

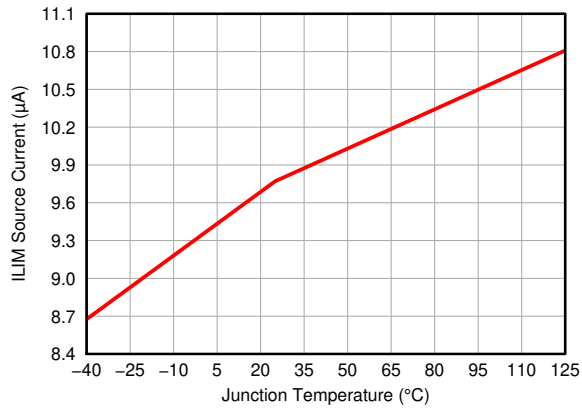


图 5-13. ILIM Source Current vs. Junction Temperature

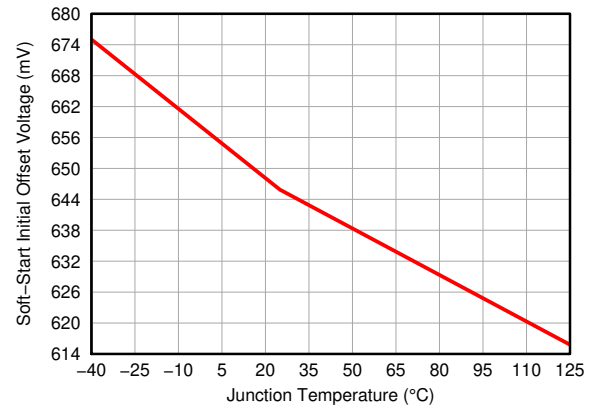


图 5-14. Soft-Start Initial Offset Voltage vs. Junction Temperature

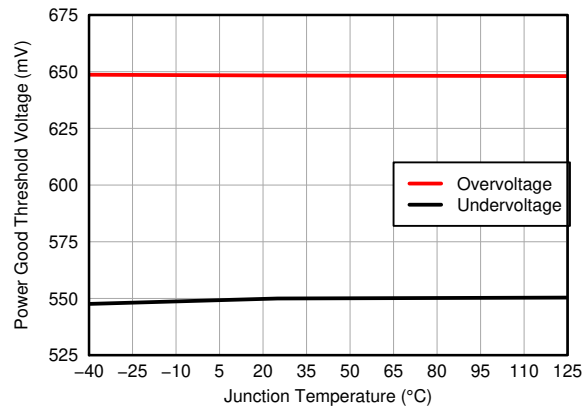


图 5-15. V_{OV}/V_{UV} Power Good Threshold Voltage

6 Detailed Description

6.1 Overview

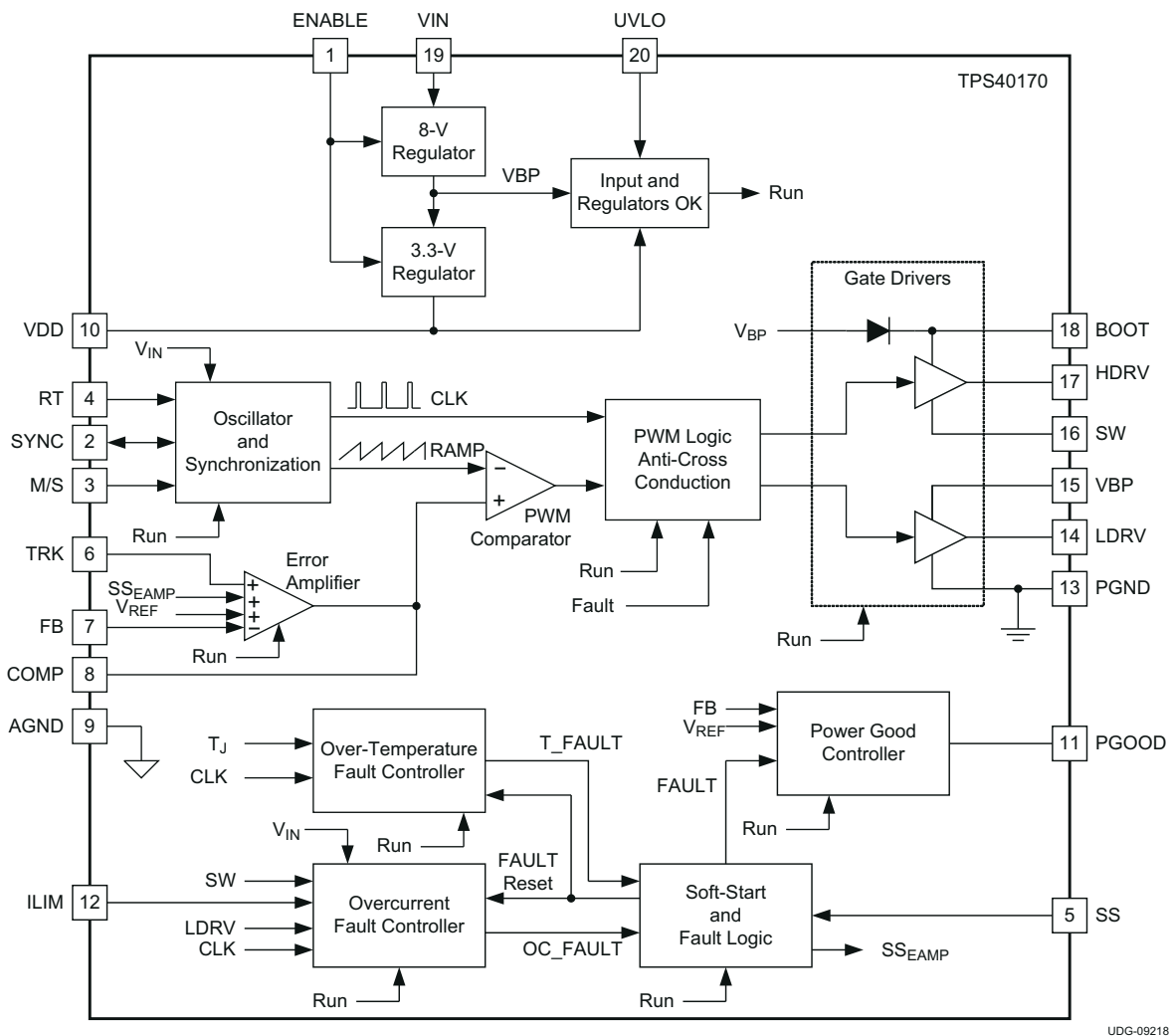
The TPS40170 is a synchronous, PWM buck controller that accepts a wide range of input voltage from 4.5 V to 60 V and features voltage-mode control with input-voltage, feed-forward compensation. The switching frequency is programmable from 100 kHz to 600 kHz.

The TPS40170 has a complete set of system protections such as programmable undervoltage lockout (UVLO), programmable overcurrent protection (OCP), selectable short-circuit protection (SCP), and thermal shutdown. The ENABLE pin allows for system shutdown in a low-current (1- μ A typical) mode. The controller supports pre-biased outputs, provides an open-drain PGOOD signal, and has closed loop programmable soft-start, output voltage tracking, and adaptive dead time control.

The TPS40170 provides accurate output voltage regulation through 1% specified accuracy.

Additionally, the controller implements a novel scheme of bidirectional synchronization with one controller acting as the primary other downstream controllers acting as secondaries, synchronized to the primary in-phase or 180° out-of-phase. Secondary controllers can be synchronized to an external clock within $\pm 30\%$ of the internal switching frequency.

6.2 Functional Block Diagram



6.3 Feature Description

6.3.1 LDO Linear Regulators and Enable

The TPS40170 has two internal low-drop-out (LDO) linear regulators. One has a nominal output voltage of V_{VBP} and is present at the VBP pin. This is the voltage that is mainly used for the gate-driver output. The other linear regulator has an output voltage of V_{VDD} and is present at the VDD pin. This voltage can be used in external low-current logic circuitry. The maximum allowable current drawn from the VDD pin must not exceed 5 mA.

The TPS40170 has a dedicated device enable pin (ENABLE). This simplifies user level interface design because no multiplexed functions exist. If the ENABLE pin of the TPS40170 is higher than V_{EN} , then the LDO regulators are enabled. To ensure that the LDO regulators are disabled, the ENABLE pin must be pulled below V_{DIS} . By pulling the ENABLE pin below V_{DIS} , the device is completely disabled and the current consumption is very low (nominally, 1 μ A). Both LDO regulators are actively discharged when the ENABLE pin is pulled below V_{DIS} . A functionally equivalent circuit to the enable circuitry on the TPS40170 is shown in 图 6-1.

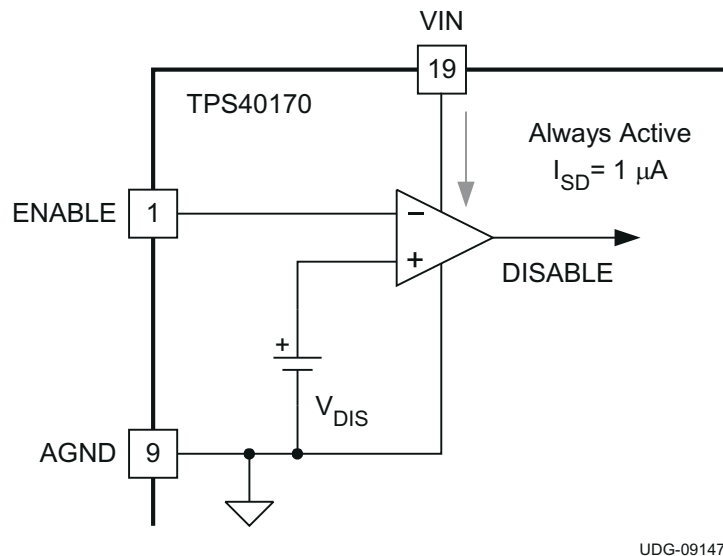


图 6-1. TPS40170 Enable Functional Block

The ENABLE pin must not be allowed to float. If the ENABLE function is not needed for the design, then it is suggested that the ENABLE pin be pulled up to V_{IN} by a high value resistor ensuring that the current into the ENABLE pin does not exceed 10 μ A. If it is not possible to meet this clamp current requirement, then it is suggested that a resistor divider from V_{IN} to GND be used to connect to ENABLE pin. The resistor divider must be such that the ENABLE pin must be higher than V_{EN} and lower than 8 V.

备注

To avoid potential erroneous behavior of the enable function, the ENABLE signal applied must have a minimum slew rate of 20 V/s.

6.3.2 Input Undervoltage Lockout (UVLO)

The TPS40170 has both fixed and programmable input undervoltage lockout (UVLO). In order for the device to turn ON, all of the following conditions must be met:

- The ENABLE pin voltage must be greater than V_{EN}
- The VBP voltage (at VBP pin) must be greater than $V_{BP(on)}$
- The UVLO pin must be greater than V_{UVLO}

In order for the device to turn OFF, any one of the following conditions must be met:

- The ENABLE pin voltage must be less than V_{DIS}
- The VBP voltage (at VBP pin) must be less than $VBP_{(off)}$
- The UVLO pin must be less than V_{UVLO}

Programming the input UVLO can be accomplished using the UVLO pin. A resistor divider from the input voltage (V_{IN} pin) to GND sets the UVLO level. After the input voltage reaches a value that meets the V_{UVLO} level at the UVLO pin, then a small hysteresis current, I_{UVLO} at the UVLO pin is switched in. The programmable UVLO function is shown in 图 6-2.

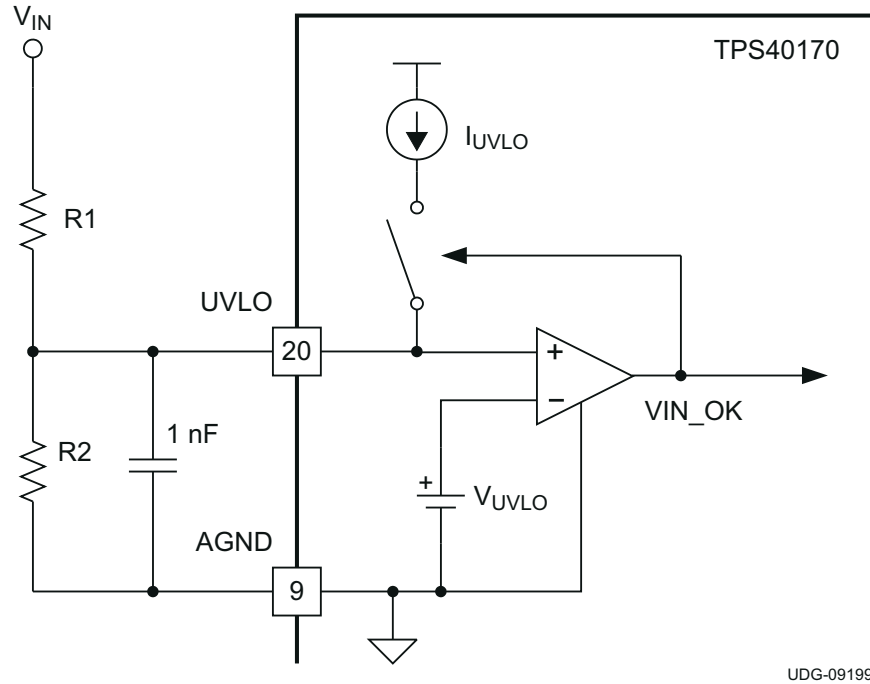


图 6-2. UVLO Functional Block Schematic

6.3.2.1 Equations for Programming the Input UVLO:

Components R1 and R2 represent external resistors for programming UVLO and hysteresis and can be calculated in 方程式 1 and 方程式 2 respectively.

$$R_1 = \frac{V_{ON} - V_{OFF}}{I_{UVLO}} \quad (1)$$

$$R_2 = R_1 \times \frac{V_{UVLO}}{(V_{ON} - V_{UVLO})} \quad (2)$$

where

- V_{ON} is the desired turn-on voltage of the converter
- V_{OFF} is the desired turn-off voltage for the converter
- I_{UVLO} is the hysteresis current generated by the device, 5.0 μ A (typ)
- V_{UVLO} is the UVLO pin threshold voltage, 0.9 V (typ)

备注

If the UVLO pin is connected to a voltage greater than 0.9 V, the programmable UVLO is disabled and the device defaults to an internal UVLO ($VBP_{(on)}$ and $VBP_{(off)}$). For example, the UVLO pin can be connected to VDD or the VBP pin to disable the programmable UVLO function.

A 1 nF ceramic by-pass capacitor must be connected between the UVLO pin and GND.

6.3.3 Oscillator and Voltage Feed-Forward

TPS40170 implements an oscillator with input-voltage feed-forward compensation that enables instant response to input voltage changes. 图 6-3 shows the oscillator timing diagram for the TPS40170. The resistor from the RT pin to GND sets the free running oscillator frequency. The voltage V_{RT} on the RT pin is made proportional to the input voltage (see 方程式 3).

$$V_{RT} = \frac{V_{IN}}{K_{PWM}} \quad (3)$$

where

- $K_{PWM} = 15$

The resistor at the RT pin sets the current in the RT pin. The proportional current charges an internal 100-pF oscillator capacitor. The ramp voltage on this capacitor is compared with the RT pin voltage, V_{RT} . After the ramp voltage reaches V_{RT} , the oscillator capacitor is discharged. The ramp that is generated by the oscillator (which is proportional to the input voltage) acts as voltage feed-forward ramp to be used in the PWM comparator.

The time between the start of the discharging oscillator capacitor and the start of the next charging cycle is fixed at 170 ns (typical). During the fixed discharge time, the PWM output is maintained as OFF. This is the minimum OFF-time of the PWM output.

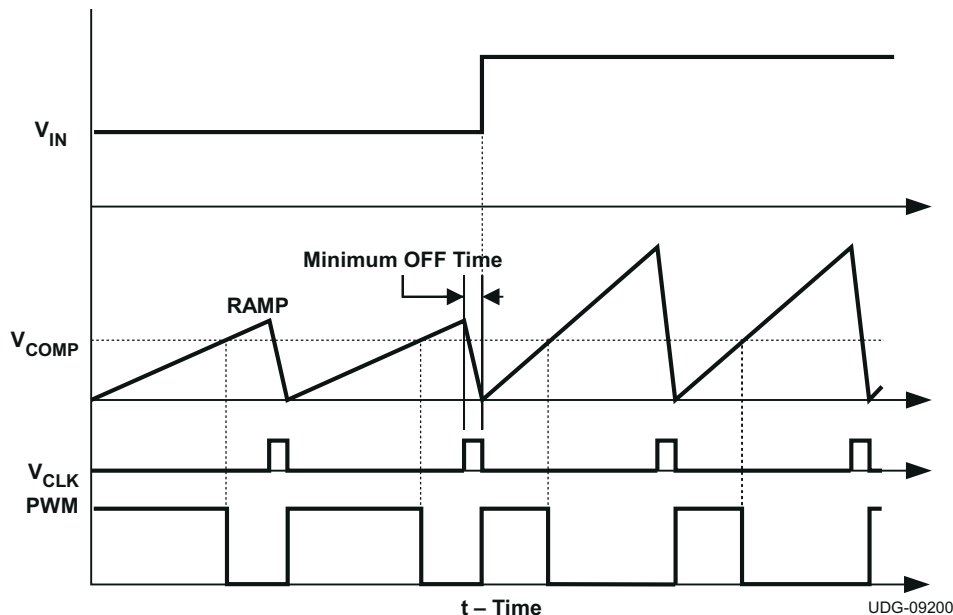


图 6-3. Feed-Forward Oscillator Timing Diagram

6.3.3.1 Calculating the Timing Resistance (R_{RT})

$$R_{RT} = \left(\frac{10^4}{f_{SW}} \right) - 2 \text{ (k}\Omega\text{)} \quad (4)$$

where

- f_{SW} is the switching frequency in kHz
- R_{RT} is the resistor connected from RT pin to GND in k Ω

备注

The switching frequency can be adjusted between 100 kHz and 600 kHz. The maximum switching frequency before skipping pulses is determined by the input voltage, output voltage, FET resistances, DCR of the inductor, and the minimum on time of the TPS40170. Use [方程式 5](#) to determine the maximum switching frequency. For further details, please see analog design journal, [Understanding output voltage limitations of DC/DC buck converters](#).

$$f_{SW(max)} = \frac{V_{OUT(min)} + (I_{OUT(min)} \times (R_{DS2} + R_{LOAD}))}{t_{ON(min)} \times (V_{IN(max)} - I_{OUT(min)} \times (R_{DS1} - R_{DS2}))} \quad (5)$$

where

- $f_{SW(max)}$ is the maximum switching frequency
- $V_{OUT(min)}$ is the minimum output voltage
- $V_{IN(max)}$ is the maximum input voltage
- $I_{OUT(min)}$ is the minimum output current
- R_{DS1} is the high-side FET resistance
- R_{DS2} is the low-side FET resistance
- and R_{LOAD} is the inductor series resistance

6.3.4 Overcurrent Protection and Short-Circuit Protection (OCP and SCP)

The TPS40170 has the capability to set a two-level overcurrent protection. The first level of overcurrent protection (OCP) is the normal overload setting based on low-side MOSFET voltage sensing. The second level of protection is the heavy overload setting such as short-circuit based on the high-side MOSFET voltage sensing. This protection takes effect immediately. The second level is termed short-circuit protection (SCP).

The OCP level is set by the ILIM pin voltage. A current (I_{ILIM}) is sourced into the ILIM pin from which a resistor R_{ILIM} is connected to GND. Resistor R_{ILIM} sets the first level of overcurrent limit. The OCP is based on the low-side FET voltage at the switch-node (SW pin) when the LDRV is ON after a blanking time, which is the product of inductor current and low-side FET turn-on resistance $R_{DS(on)}$. The voltage is inverted and compared to ILIM pin voltage. If it is greater than the ILIM pin voltage, then a 3-bit counter inside the device increments the fault-count by 1 at the start of the next switching cycle. Alternatively, if it is less than the ILIM pin voltage, then the counter inside the device decrements the fault-count by 1. When the fault-count reaches 7, an overcurrent fault (OC_FAULT) is declared and both the HDRV and LDRV are turned OFF. The resistor R_{ILIM} can be calculated by the following [方程式 6](#).

$$R_{ILIM} = \frac{I_{OC} \times R_{DS(on)}}{I_{ILIM}} = \frac{I_{OC} \times R_{DS(on)}}{9.0 \mu A} \quad (6)$$

The SCP level is set by a multiple of the ILIM pin voltage. The multiplier has three discrete values, 3, 7 or 15 times, which can be selected by respectively choosing a 10-k Ω , open circuit, or 20 k Ω resistor from LDRV pin to GND. This multiplier AOC information is translated during the t_{CAL} time, which starts after the enable and UVLO conditions are met.

The SCP is based on sensing the high-side FET voltage drop from V_{VIN} to V_{SW} when the HDRV is ON after a blanking time, which is product of inductor current and high-side FET turn-on resistance $R_{DS(on)}$. The voltage is compared to the product of multiplier and the ILIM pin voltage. If it exceeds the product, then the fault-count is immediately set to 7 and the OC_FAULT is declared. The HDRV is terminated immediately without waiting for the duty cycle to end. When an OC_FAULT is declared, both the HDRV and LDRV are turned OFF. The appropriate multiplier (A), can be selected using 方程式 7.

$$A = \frac{I_{SC} \times R_{DS(on)HS}}{I_{OC} \times R_{DS(on)LS}} \quad (7)$$

图 6-4 shows the functional block of the two-level overcurrent protection.

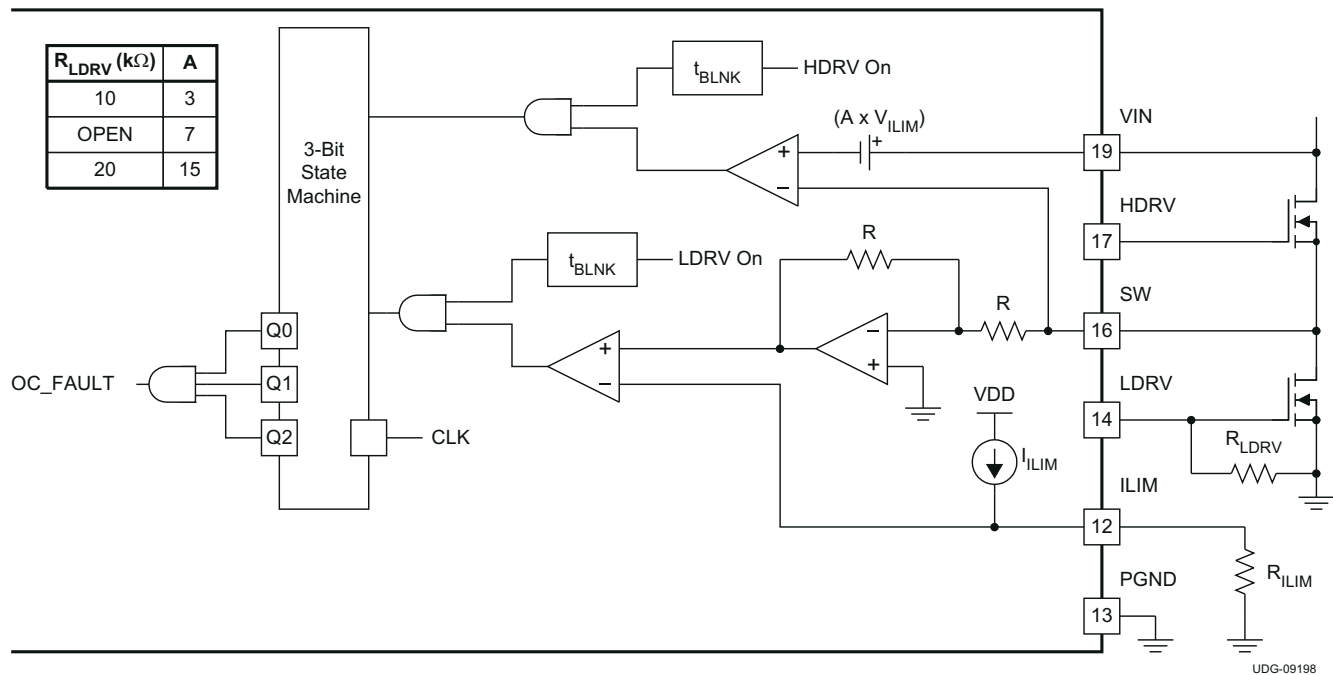


图 6-4. OCP and SCP Protection Functional Block Diagram

备注

Both OCP and SCP are based on low-side and high-side MOSFET voltage sensing at the SW node. Excessive ringing on the SW node can have negative impact on the accuracy of OCP and SCP. Adding an RC snubber from the SW node to GND helps minimize the potential impact.

6.3.5 Soft-Start and Fault-Logic

A capacitor from the SS pin to GND defines the SS time, t_{SS} . The TPS40170 enters into soft-start immediately after completion of the overcurrent calibration. The SS pin goes through the device internal level-shifter circuit before reaching one of the positive inputs of the error amplifier. The SS pin must reach approximately 0.65 V before the input to the error amplifier begins to rise above 0 V. To charge the SS pin from 0 V to 0.65 V faster, at the beginning of the soft-start in addition to the normal charging current, (11.6 μ A, typ.), an extra charging

current (40.4 μA , typ.) is switched-in to the SS pin. As the SS capacitor reaches 0.5 V, the extra charging current is turned off and only the normal charging current remains. 图 6-5 shows the soft-start function block.

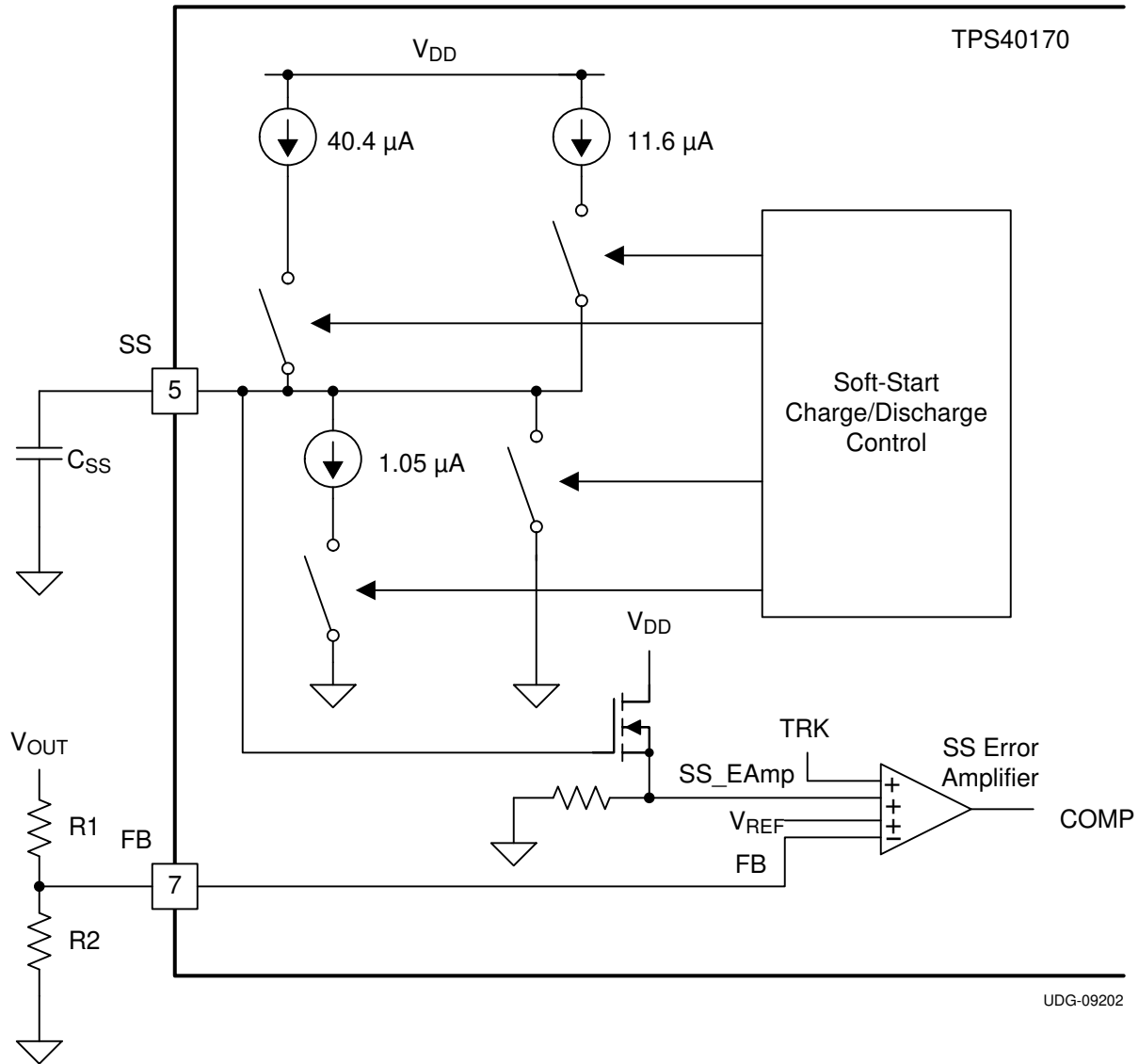


图 6-5. Soft-Start Schematic Block

As the SS pin voltage approaches 0.65 V, the positive input to the error amplifier begins to rise (see 图 6-6). The output of the error amplifier (the COMP pin) starts rising. The rate of rise of the COMP voltage is mainly limited by the feedback loop compensation network. After V_{COMP} reaches the valley of the PWM ramp, the switching begins. The output is regulated to the error amplifier input through the FB pin in the feedback loop. After the FB pin reaches the 600 mV reference voltage, the feedback node is regulated to the reference voltage, V_{REF} . The SS pin continues to rise and is clamped to V_{DD} .

The SS pin is discharged through an internal switch during the following conditions:

- Input (V_{IN}) undervoltage lock out UVLO pin less than V_{UVLO}
- Overcurrent protection calibration time (t_{CAL})
- VBP less than threshold voltage ($V_{\text{BP(off)}}$)

charging again. If the fault is persistent, a fault is declared which is determined by the overcurrent protection state machine. If the soft-start capacitor is below $V_{SS(ft,high)}$ (2.5 V, typ.), then the soft-start capacitor continues to charge until it reaches $V_{SS(ft,high)}$ before a discharge cycle is initiated. This ensures that the re-start time-interval is always constant. 图 6-7 shows the restart timing.

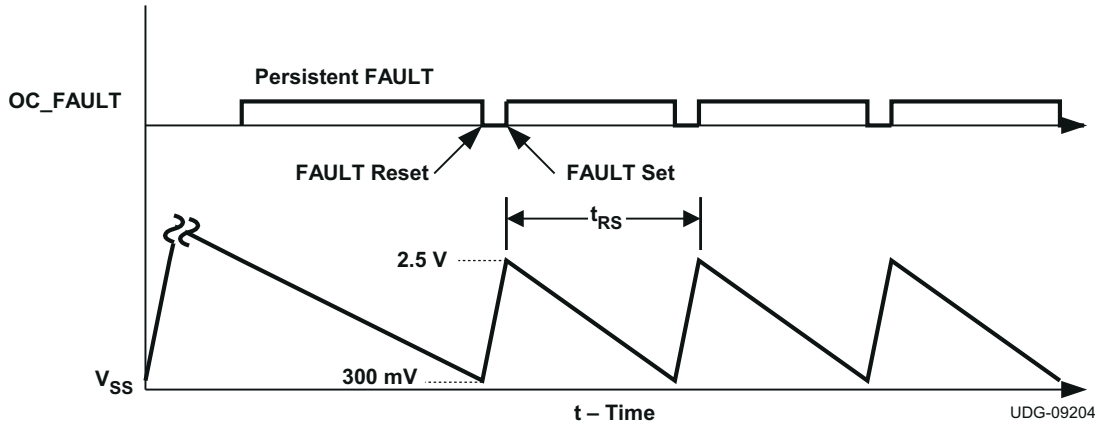


图 6-7. Overcurrent Fault Restart Timing

备注

For the feedback to be regulated to the SS_EAMP voltage, the TRK pin must be pulled up high directly or through a resistor to VDD.

6.3.5.2 Equations for Soft Start and Restart Time

The soft-start time (t_{SS}) is defined as the time taken for the internal SS_EAMP node to go from 0 V to the 0.6 V, V_{REF} voltage. The SS_EAMP starts rising as the SS pin goes beyond 0.65 V. The offset voltage between the SS and the SS_EAMP starts increasing as the SS pin voltage starts rising. [Soft-Start Waveforms](#), shows that the SS time can be defined as the time taken for the SS pin voltage to change by 1.05 V (see [方程式 10](#)).

The restart time (t_{RS}) is defined in [方程式 11](#) as the time taken for the soft-start capacitor (C_{SS}) to discharge from 2.5 V to 0.3 V and to then recharge up to 2.5 V.

$$C_{SS} = \frac{t_{SS}}{0.09} \quad (10)$$

$$t_{RS} \approx 2.28 \times C_{SS} \quad (11)$$

where

- C_{SS} is the soft-start capacitance in nF
- t_{SS} is the soft-start time in ms
- t_{RS} is the re-start time in ms

备注

During soft-start ($V_{SS} < 2.5$ V), the overcurrent protection limit is 1.5 times normal overcurrent protection limit. This allows higher output capacitance to fully charge without activating overcurrent protection.

6.3.6 Overtemperature Fault

图 6-8 shows the overtemperature protection scheme. If the junction temperature of the device reaches the thermal shutdown limit of $t_{SD(set)}$ (165°C, typical) and SS charging is completed, an overtemperature FAULT is declared. The soft-start capacitor begins to be discharged. During soft-start discharging period, the PWM switching is terminated; therefore, both HDRV and LDRV are driven low, turning off both MOSFETs.

The soft-start capacitor begins to charge and overtemperature fault is reset whenever the soft-start capacitor is discharged below $V_{SS(ft,low)}$ (300 mV, typical). During each restart cycle, PWM switching is turned on. When SS is fully charged, PWM switching is terminated. These restarts repeat until the temperature of the device has fallen below the thermal reset level, $t_{SD(reset)}$ (135°C typical). PWM switching continues and system returns to normal regulation.

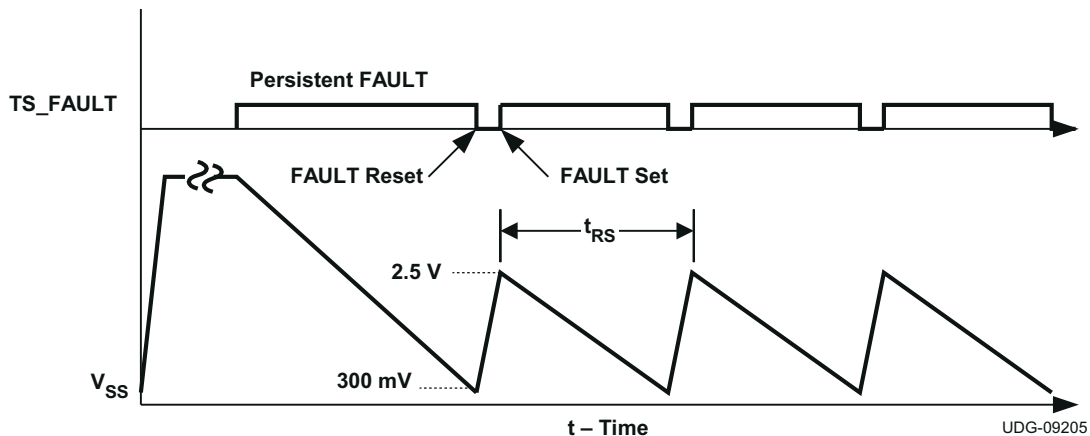


图 6-8. Overtemperature Fault Restart Timing

The soft-start timing during overtemperature fault is the same as the soft-start timing during overcurrent fault. See the [Equations for Soft Start and Restart Time](#) section.

6.3.7 Tracking

The TRK pin is used for output voltage tracking. The output voltage is regulated so that the FB pin equals the lowest of the internal reference voltage (V_{REF}) or the level-shifted SS pin voltage (SS_{EAMP}) or the TRK pin voltage. After the TRK pin goes above the reference voltage, then the output voltage is no longer governed by the TRK pin, but it is governed by the reference voltage.

If the voltage tracking function is used, then it must be noted that the SS pin capacitor must remain connected as the SS pin and is also used for FAULT timing. For proper tracking using the TRK pin, the tracking voltage must be allowed to rise only after SS_{EAMP} has exceeded V_{REF} , so that there is no possibility of the TRK pin voltage being higher than the SS_{EAMP} voltage. From [Soft-Start Waveforms](#), for $SS_{EAMP} = 0.6$ V, the SS pin voltage is typically 1.7 V.

The maximum slew rate on the TRK pin must be determined by the output capacitance and feedback loop bandwidth. A higher slew rate can possibly trip overcurrent protection.

图 6-9 shows the tracking functional block. For SS_{EAMP} voltages greater than TRK pin voltage, the V_{OUT} is given by [方程式 12](#) and [方程式 13](#).

For $0\text{ V} < V_{\text{TRK}} < V_{\text{REF}}$

$$V_{\text{OUT}} = V_{\text{TRK}} \times \frac{(R_1 + R_2)}{R_2} \quad (12)$$

For $V_{\text{TRK}} > V_{\text{REF}}$

$$V_{\text{OUT}} = V_{\text{REF}} \times \frac{(R_1 + R_2)}{R_2} \quad (13)$$

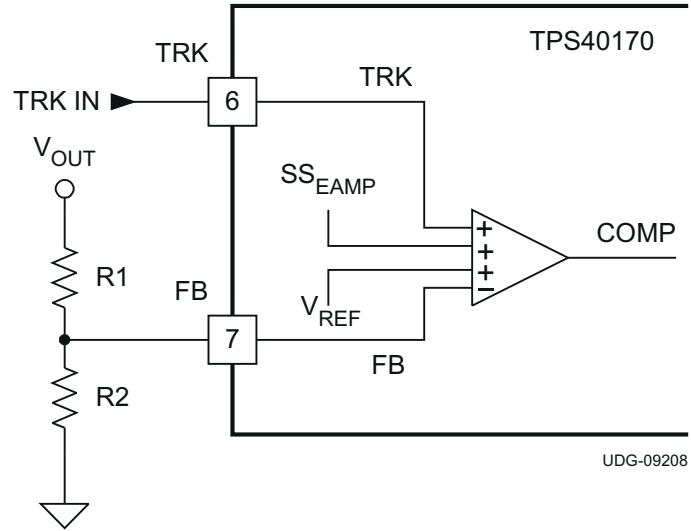


图 6-9. Tracking Functional Block

There are three potential applications for the tracking function.

- simultaneous voltage tracking
- ratiometric voltage tracking
- sequential startup mode

The tracking function configurations and waveforms are shown in 图 6-10, 图 6-12, and 图 6-14 respectively.

In simultaneous voltage tracking shown in 图 6-10, tracking signals, V_{TRK1} and V_{TRK2} , of two modules, POL1 and POL2, start up at the same time and their output voltages V_{OUT1} initial and V_{OUT2} initial are approximately the same during initial startup. Because V_{TRK1} and V_{TRK2} are less than V_{REF} (0.6 V, typical), 方程式 12 is used. As a result, components selection must meet 方程式 14.

$$\left(\frac{(R_1 + R_2)}{R_1} \right) \times V_{\text{TRK1}} = \left(\frac{(R_3 + R_4)}{R_3} \right) \times V_{\text{TRK2}} \Rightarrow \frac{R_5}{R_6} = \left(\frac{\left(\frac{R_1}{(R_1 + R_2)} \right)}{\left(\frac{R_3}{(R_3 + R_4)} \right)} - 1 \right) \quad (14)$$

After the lower output voltage setting reaches output voltage V_{OUT1} set point, where V_{TRK1} increases above V_{REF} , the output voltage of the other one (V_{OUT2}) continues increasing until it reaches its own set point, where V_{TRK2} increases above V_{REF} . At that time, 方程式 13 is used. As a result, the resistor settings must meet 方程式 15 and 方程式 16.

$$V_{\text{OUT1}} = \left(\frac{(R_1 + R_2)}{R_1} \right) \times V_{\text{REF}} \quad (15)$$

$$V_{\text{OUT2}} = \left(\frac{(R_3 + R_4)}{R_3} \right) \times V_{\text{REF}} \quad (16)$$

方程式 14 can be simplified into 方程式 17 by replacing with 方程式 15 and 方程式 16.

$$\left(\frac{R_5}{R_6}\right) = \left(\left(\frac{V_{OUT2}}{V_{OUT1}}\right) - 1\right) \tag{17}$$

If $5\text{ V} = V_{OUT2}$ and $2.5\text{ V} = V_{OUT1}$ are required, according to 方程式 15, 方程式 16 and 方程式 17, the selected components can be as following:

- $R_5 = R_6 = R_4 = R_2 = 10\text{ k}\Omega$
- $R_1 = 3.16\text{ k}\Omega$
- $R_3 = 1.37\text{ k}\Omega$

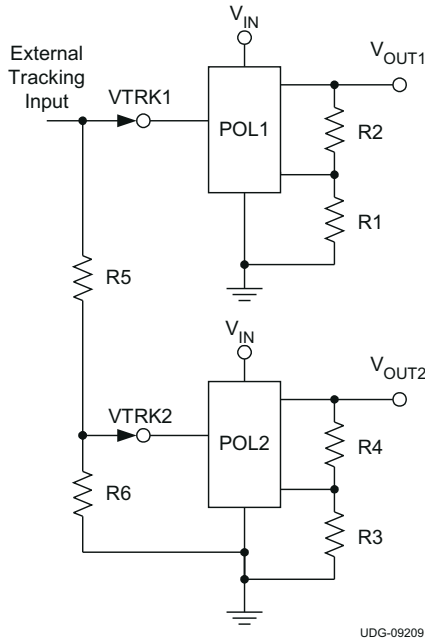


图 6-10. Simultaneous Voltage Tracking Schematic

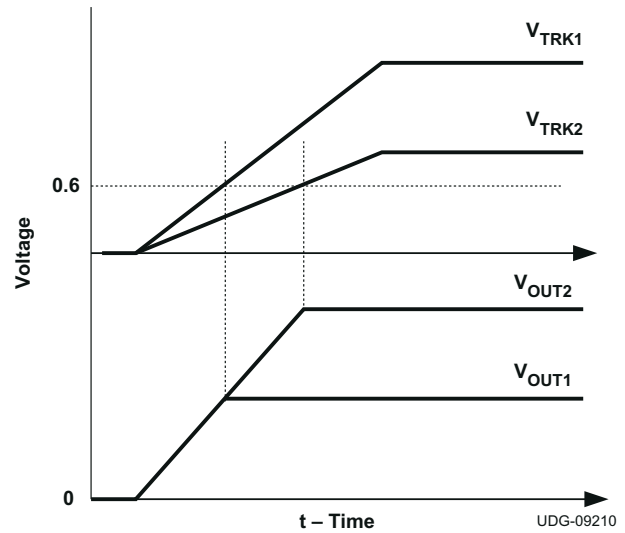


图 6-11. Simultaneous Voltage Tracking Waveform

In ratiometric voltage tracking shown in 图 6-12, the two tracking voltages, V_{TRK1} and V_{TRK2} , for two modules, POL1 and POL2, are the same. Their output voltage, V_{OUT1} and V_{OUT2} , are different with different voltage divider $R2/R1$ and $R4/R3$. V_{OUT1} and V_{OUT2} increase proportionally and reach their output voltage set points at about the same time.

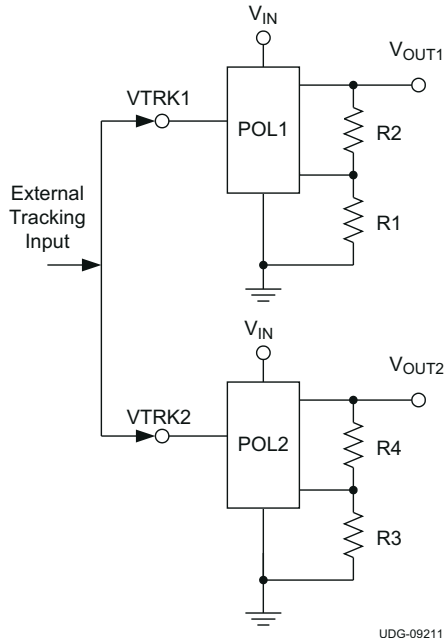


图 6-12. Ratiometric Voltage Tracking Schematic

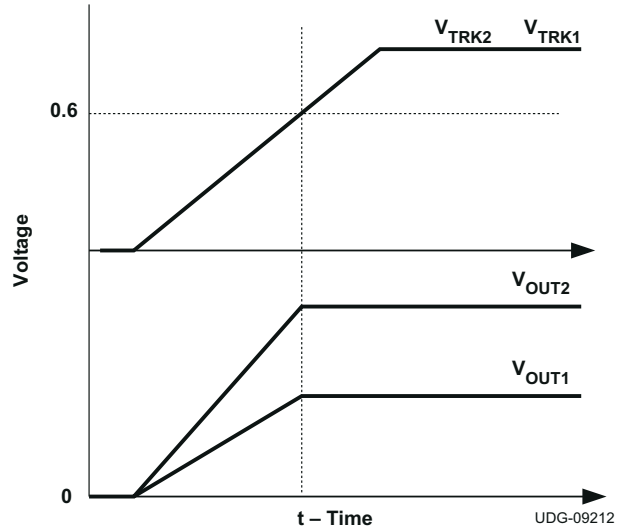
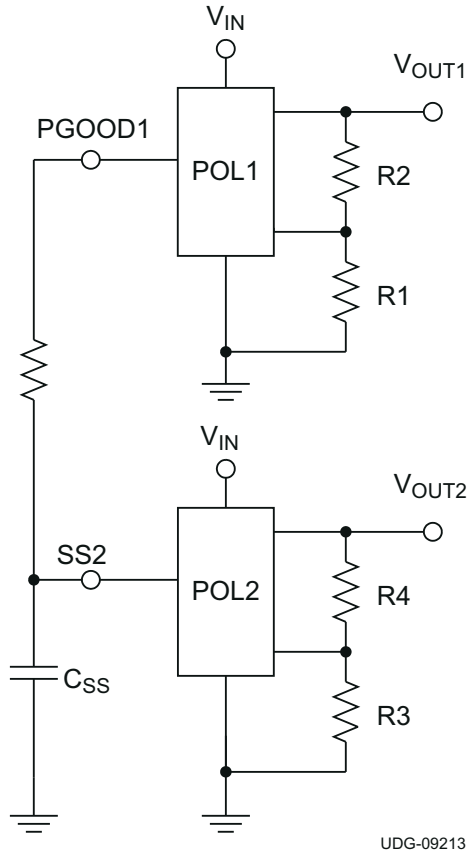


图 6-13. Ratiometric Voltage Tracking Waveform

Sequential start-up is shown in 图 6-14. During start-up of the first module, POL1, PGOOD1 is pulled to low. Because PGOOD1 is connected to soft-start SS2 of the second module, POL2, is not able to charge its soft-start capacitor. After output voltage V_{OUT1} of POL1 reaches its setting point, PGOOD1 is released. POL2 starts charging its soft-start capacitor. Finally, output voltage V_{OUT2} of POL2 reaches its setting point.



UDG-09213

图 6-14. Sequential Start-Up Schematic

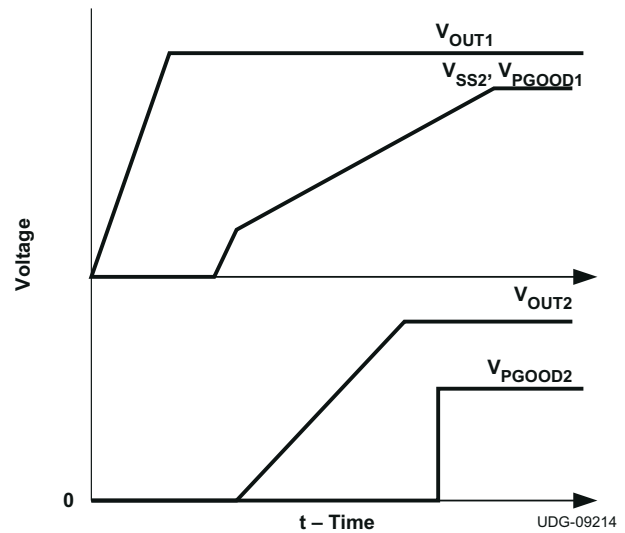


图 6-15. Sequential Start-Up Waveform

UDG-09214

备注

The TRK pin has high impedance, so it is a noise sensitive terminal. If the tracking function is used, TI recommends a small RC filter at the TRK pin to filter out high-frequency noise.

If the tracking function is not used, the TRK pin must be pulled up directly or through a resistor (with a value between 10 k Ω and 100 k Ω) to VDD.

6.3.8 Adaptive Drivers

The drivers for the external high-side and low-side MOSFETs are capable of driving a gate-to-source voltage, V_{BP} . The LDRV driver for the low-side MOSFET switches between V_{BP} and PGND, while the HDRV driver for the high-side MOSFET is referenced to SW and switches between BOOT and SW. The drivers have non-overlapping timing that is governed by an adaptive delay circuit to minimize body diode conduction in the synchronous rectifier.

6.3.9 Start-Up into Pre-Biased Output

The TPS40170 contains a circuit to prevent current from being pulled out of the output during startup in case the output is pre-biased. When the soft-start commands a voltage higher than the pre-bias level (internal soft-start becomes greater than feedback voltage [V_{FB}]), the controller slowly activates synchronous rectification by starting the first LDRV pulses with a narrow on-time (see 图 6-16), where:

- $V_{IN} = 5\text{ V}$
- $V_{OUT} = 3.3\text{ V}$
- $V_{PRE} = 1.4\text{ V}$

- $f_{SW} = 300 \text{ kHz}$
- $L = 0.6 \mu\text{H}$

It then increments the on-time on a cycle-by-cycle basis until it coincides with the time dictated by $(1-D)$, where D is the duty cycle of the converter. This scheme prevents the initial sinking of the pre-bias output, and ensures that the output voltage (V_{OUT}) starts and ramps up smoothly into regulation and the control loop is given time to transition from pre-biased startup to normal mode operation with minimal disturbance to the output voltage. The time from the start of switching until the low-side MOSFET is turned on for the full $(1-D)$ interval is between approximately 20 and 40 clock cycles.

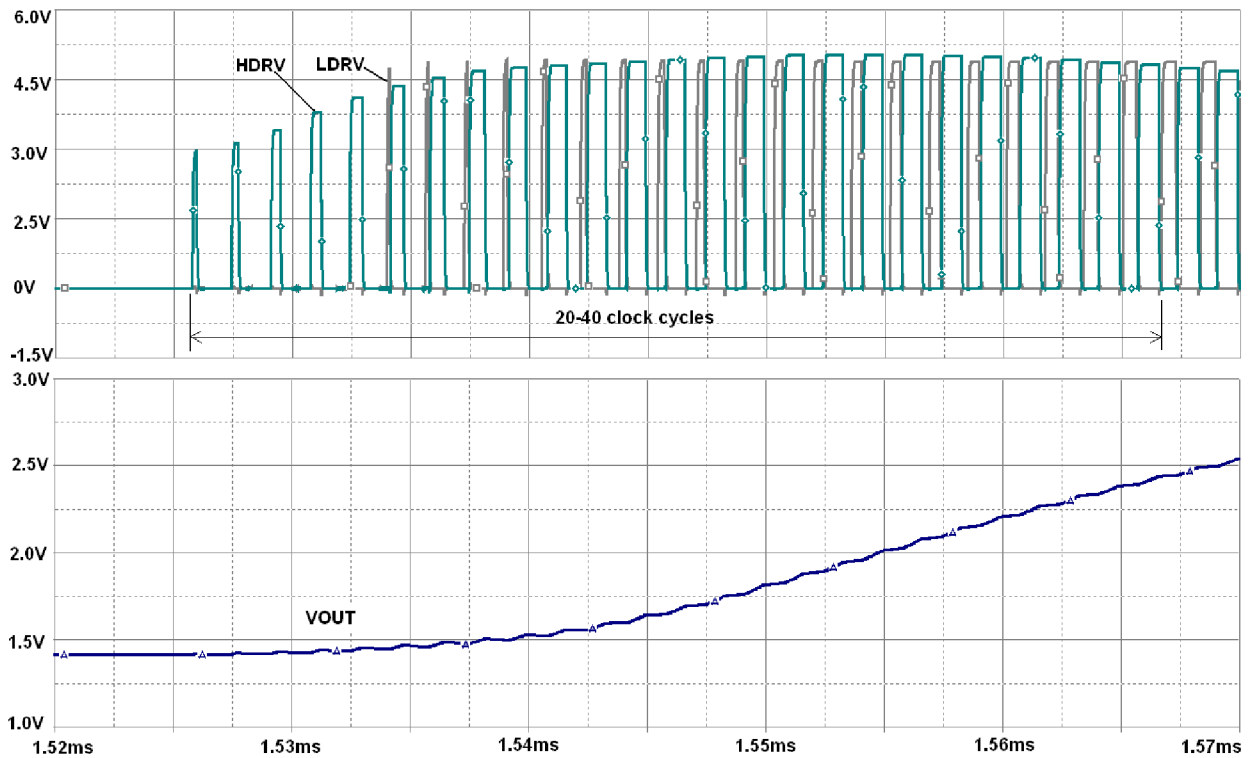


图 6-16. Start-Up Switching Waveform during Pre-Biased Condition

If the output is pre-biased to a voltage higher than the voltage commanded by the reference, then the PWM switching does not start.

备注

When output is pre-biased at $V_{PRE-BIAS}$, that voltage also applies to the SW node during start-up. When the pre-bias circuitry commands the first few high-side pulses before the first low-side pulse is initiated, the gate voltage for the high-side MOSFET is as described in [方程式 18](#). Alternatively, If pre-bias level is high, it is possible that SCP can be tripped due to high turn-on resistance of the high-side MOSFET with low gate voltage. After tripped, the device resets and then attempts to re-start. The device can not be able to start up until output is discharged to a lower voltage level by either an active load or through feedback resistors.

In the case of a high pre-bias level, a low gate-threshold voltage rated device is recommended for the high-side MOSFET and increasing the SCP level also helps alleviate the problem.

$$V_{\text{GATE(}hs)} = (V_{\text{BP}} - V_{\text{DFWD}} - V_{\text{PRE-BIAS}}) \quad (18)$$

where

- $V_{\text{GATE(}hs)}$ is the gate voltage for the high-side MOSFET
- V_{BP} is the BP regulator output
- V_{DFWD} is bootstrap diode forward voltage

6.3.10 Power Good (PGOOD)

The TPS40170 provides an indication that the output voltage of the converter is within the specified limits of the regulation as measured at the FB pin. The PGOOD pin is an open-drain signal and pulls low when any condition exists that can indicate that the output of the supply can be out of regulation. These conditions include:

- V_{FB} is not within the PGOOD threshold limits.
- Soft-start is active, that is, SS pin voltage is below $V_{\text{SS,FLT,HIGH}}$ limit.
- An undervoltage condition exists for the device.
- An overcurrent or short-circuit fault is detected.
- An overtemperature fault is detected.

图 6-17 shows a situation where no fault is detected during the start-up, (the normal PGOOD situation). The figure shows that PGOOD goes high t_{PGD} (20 μs , typical) after all the conditions (listed above) are met.

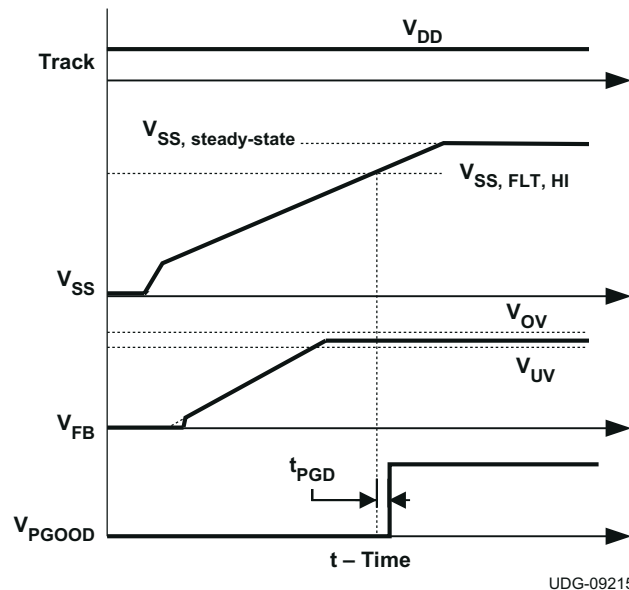


图 6-17. PGOOD Signal

When there is no power to the device, PGOOD is not able to pull close to GND if an auxiliary supply is used for the power good indication. In this case, a built-in resistor connected from drain to gate on the PGOOD pulldown device allows the PGOOD pin to operate like as a diode to GND.

6.3.11 PGND and AGND

TPS40170 provides separate signal ground (AGND) and power ground (PGND) pins. PGND is primarily used for gate driver ground return. AGND is an internal logic signal ground return. These two ground signals are internally loosely connected by two anti-parallel diodes. PGND and AGND must be electrically connected externally.

6.4 Device Functional Modes

6.4.1 Frequency Synchronization

The TPS40170 has three modes.

- Primary mode:** In this mode the primary/secondary selector pin, (M/S) is connected to VIN. The SYNC pin emits a stream of pulses at the same frequency as the PWM switching frequency. The pulse stream at the SYNC pin is at 50% duty cycle and the same amplitude as V_{VBP} . Also, the falling edge of the voltage on SYNC pin is synchronized with the rising edge of the HDRV.
- Secondary-180° mode:** In this mode the M/S pin is connected to GND. The SYNC pin of the TPS40170 accepts a synchronization clock signal, and the HDRV is synchronized with the rising edge of the incoming synchronization clock.
- Secondary-0° mode:** In this mode, the M/S pin is left open. The SYNC pin of the TPS40170 accepts a synchronization clock signal, and the HDRV is synchronized with the falling edge of the incoming synchronization clock.

The two secondary modes can be synchronized to an external clock through the SYNC pin. They are shown in [图 6-18](#). The synchronization frequency must be within $\pm 30\%$ of its programmed free running frequency.

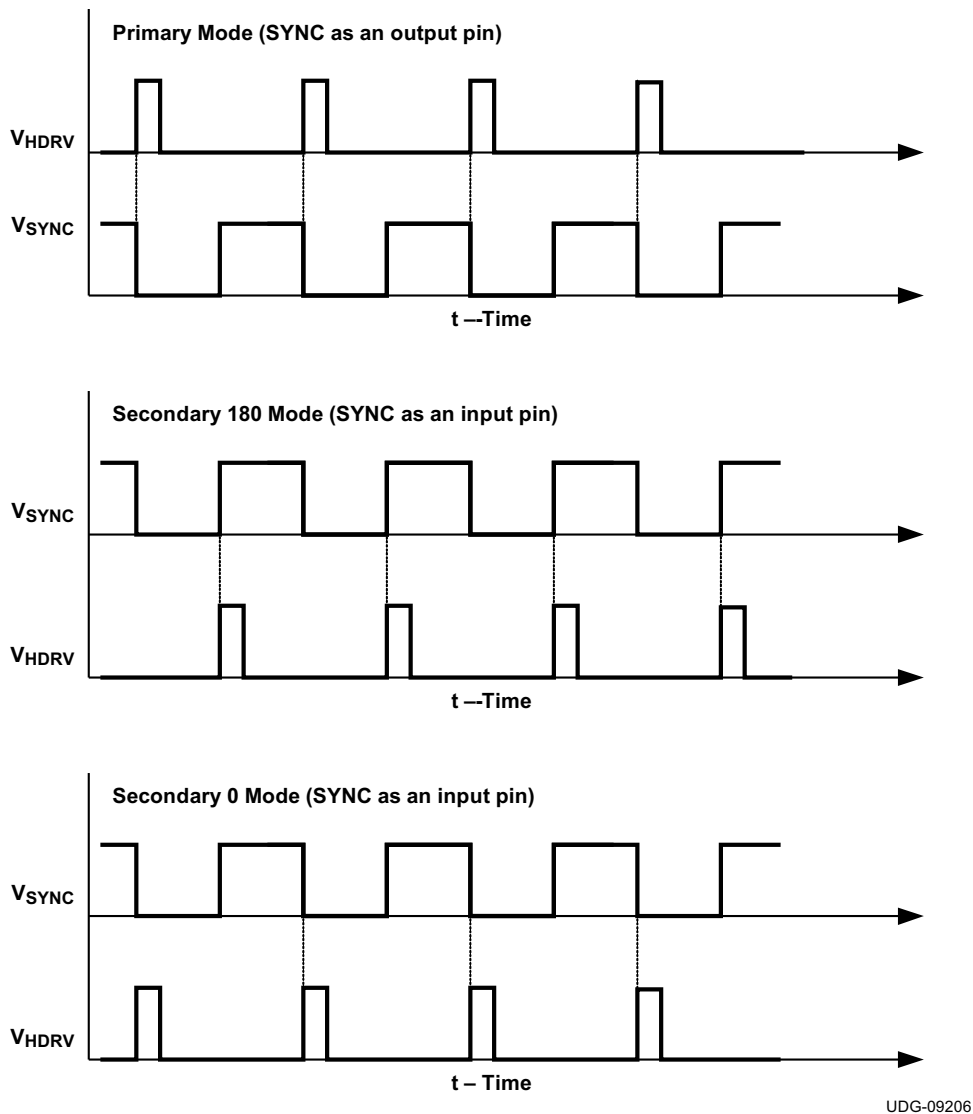


图 6-18. Frequency Synchronization Waveforms In Different Modes

TPS40170 provides a smooth transition for the SYNC clock signal loss at secondary mode. In secondary mode, a synchronization clock signal is provided externally through the SYNC pin to the device. The switching frequency is synchronized to the external SYNC clock signal. If for some reason the external clock signal is missing, the device switching frequency is automatically overridden by a transition frequency which is 0.7 times its programmed free running frequency. This transition time is approximately 20 μ s. After that, the device switching frequency is changed to its programmed free running frequency. 图 6-19 shows this process.

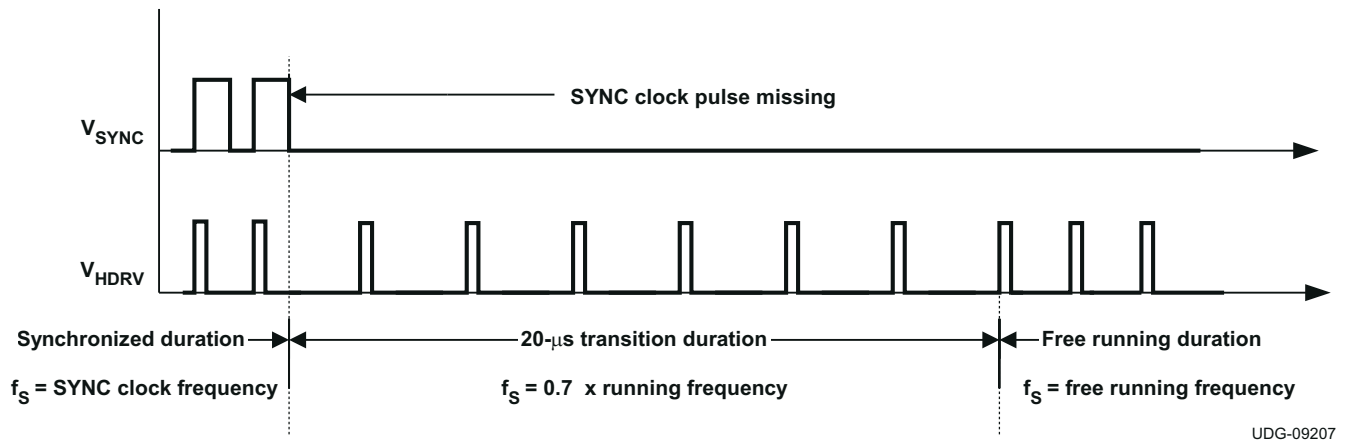


图 6-19. Transition for Sync Clock Signal Missing (For Secondary-180 Mode)

备注

When the device is operating in the primary mode with duty ratio around 50%, PWM jittering can occur. Always configure the device into the secondary mode by either connecting the M/S pin to GND or leaving it floating if primary mode is not used.

When an external SYNC clock signal is used for synchronization, limit maximum slew rate of the clock signal to 10 V/ μ s to avoid potential PWM jittering and connect the SYNC pin to the external clock signal via a 5-k Ω resistor.

6.4.2 Operation Near Minimum VIN ($V_{\text{VIN}} \leq 4.5$ V)

The TPS40170 is designed to operate with input voltages above 4.5 V. With voltages below 4.5 V if the EN pin is above its 600-mV turn-on threshold the VDD and VBP internal regulators are active. These regulators operate in drop out and output the highest voltage possible for the given VIN. The EN pin voltage must be below 100 mV to disable the VDD and VBP regulators. Switching is disabled while the VBP output voltage is below the VBP turn-on voltage of 4.4-V maximum. When there is sufficient VIN voltage to regulate the VBP voltage above 4.4 V the final condition for switching to begin is the UVLO pin voltage must be above its 900 mV typical threshold. After all three conditions are met the TPS40170 begins switching and the soft-start sequence is initiated. The device starts at the soft-start time determined by the external capacitance at the SS/TR pin. If a design requires operation near the minimum VIN voltage, due to lower VBP voltage when operating in dropout, lower gate threshold MOSFETs are recommended.

7 Application and Implementation

备注

以下应用部分中的信息不属于 TI 器件规格的范围，TI 不担保其准确性和完整性。TI 的客户应负责确定器件是否适用于其应用。客户应验证并测试其设计，以确保系统功能。

7.1 Application Information

The wide input TPS40170 controller can function in a very wide range of applications. The WEBENCH software uses an iterative design procedure and accesses a comprehensive database of components when generating a design. This section presents a simplified discussion of the design process.

7.1.1 Bootstrap Resistor

A small resistor in series with the bootstrap capacitor reduces the turn-on speed of the high-side MOSFET, thereby reducing the rising edge ringing of the SW node and reduces short through induced by dv/dt . A bootstrap resistor value that is too large delays the turn-on time of the high-side switch and can trigger an apparent SCP fault.

7.1.2 SW Node Snubber Capacitor

Observable voltage ringing at the SW node is caused by fast switching edges and parasitic inductance and capacitance. If the ringing results in excessive voltage on the SW node, or erratic operation of the converter, an RC snubber can be used to dampen the ringing and ensure proper operation over the full load range. See design example.

7.1.3 Input Resistor

The TPS40170 has a wide input voltage range which allows for the device input to share power source with power stage input. Power stage switching noise can pollute the device power source if the layout is not adequate in minimizing noise. It can trigger short-circuit fault. If so, adding a small resistor between the device input and power stage input is recommended. This resistor composites an RC filter with the device input capacitor and filter out the switching noise from power stage. See R1 in the design example.

7.1.4 LDRV Gate Capacitor

Power device selection is important for proper switching operation. If the low-side MOSFET has low gate capacitance C_{GS} (if $C_{GS} < C_{GD}$), there is a risk of short-through induced by high dv/dt at switching node (See reference[1]) during high-side turned-on. If this happens, add a small capacitance between LDRV and GND. See design example.

7.2 Typical Application

This example describes the design process for a very wide input (10 V to 60 V) to a regulated 5 V output at a load current of 6 A. The schematic shown in [图 7-1](#) is configured for the design parameters provided in [表 7-1](#). Alternatively the WEBENCH software can be used to generate a complete design with the TPS40170.

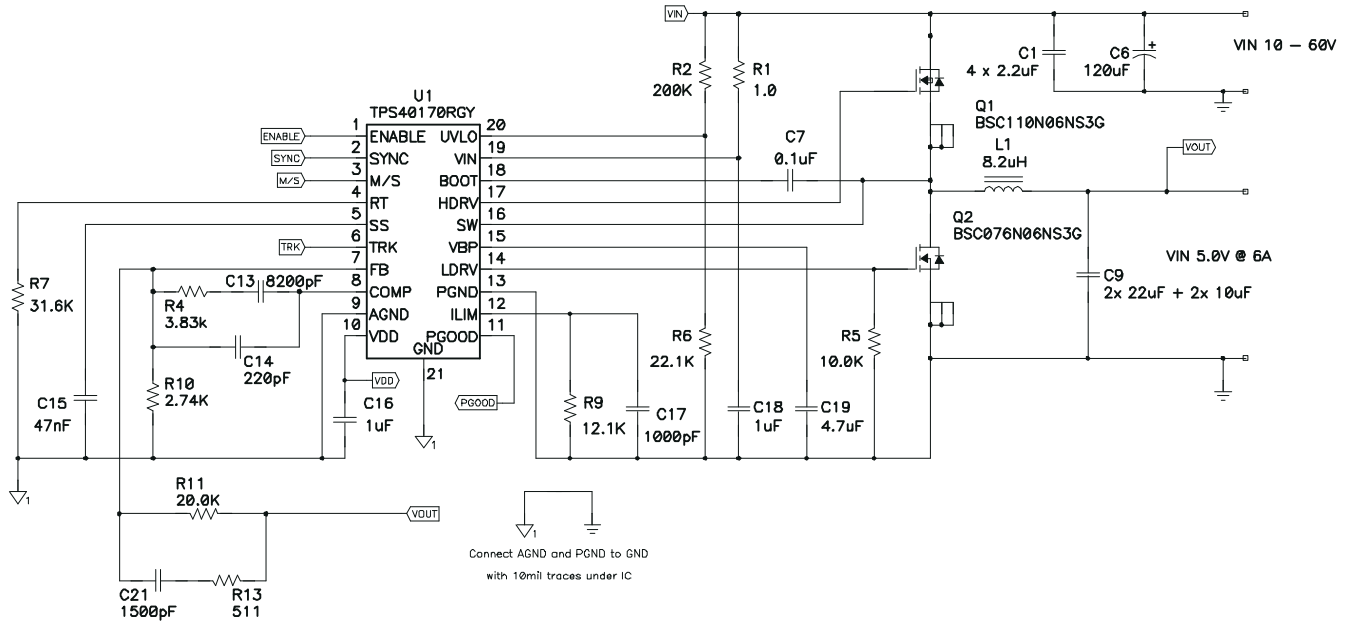


图 7-1. Typical Design Application

7.2.1 Design Requirements

表 7-1. Design Requirements

PARAMETER	TEST CONDITIONS	MIN	NOM	MAX	UNIT			
V _{IN}	Input voltage	10		60	V			
V _{IN(ripple)}	Input ripple			0.5				
V _{OUT}	Output voltage			5.2				
	Line regulation	10 V ≤ V _{IN} ≤ 60 V			0.5%			
	Load regulation	0 A ≤ I _{OUT} ≤ 6 A			0.5%			
V _{RIPPLE}	Output ripple			100	mV			
V _{OVER}	Output overshoot			250				
V _{UNDER}	Output undershoot			250				
I _{OUT}	Output current	10 V ≤ V _{IN} ≤ 60 V			0	6	A	
t _{SS}	Soft-start time	V _{IN} = 24 V				4	ms	
I _{SCP}	Short-circuit current trip point				8		A	
η	Efficiency	V _{IN} = 24 V, I _{OUT} = 6 A				94%		
f _{SW}	Switching frequency					300	kHz	
	Size						1.5	in ²

7.2.2 Detailed Design Procedure

$$C_{OUT(min)} = \frac{(I_{TRAN(max)})^2 \times L}{V_{OUT} \times V_{OVER}} = \frac{(3)^2 \times 8.2\mu H}{5 \times 250mV} = 59\mu F \tag{19}$$

With a minimum capacitance, the maximum allowable ESR is determined by the maximum ripple voltage and is approximated 方程式 20.

$$ESR_{MAX} = \frac{V_{RIPPLE(tot)} - V_{RIPPLE(cap)}}{I_{RIPPLE}} = \frac{V_{RIPPLE(tot)} - \left(\frac{I_{RIPPLE}}{8 \times C_{OUT} \times f_{SW}} \right)}{I_{RIPPLE}} = \frac{100mV - \left(\frac{1.86A}{8 \times 59\mu F \times 300kHz} \right)}{1.86A} = 47m\Omega \quad (20)$$

Two 1210, 22 μ F, 16 V X7R ceramic capacitors plus two 0805 10 μ F, 16 V X7R ceramic capacitors are selected to provide more than 59 μ F of minimum capacitance (including tolerance and DC bias derating) and less than 47 m Ω of ESR (parallel ESR of approximately 4 m Ω).

7.2.2.1 Custom Design with WEBENCH® Tools

[Click here](#) to create a custom design using the WEBENCH Power Designer.

1. Start by entering your V_{IN} , V_{OUT} and I_{OUT} requirements.
2. Optimize your design for key parameters like efficiency, footprint and cost using the optimizer dial and compare this design with other possible solutions from Texas Instruments.
3. WEBENCH Power Designer provides you with a customized schematic along with a list of materials with real time pricing and component availability.
4. In most cases, you will also be able to:
 - Run electrical simulations to see important waveforms and circuit performance,
 - Run thermal simulations to understand the thermal performance of your board,
 - Export your customized schematic and layout into popular CAD formats,
 - Print PDF reports for the design, and share your design with colleagues.

7.2.2.2 List of Materials

表 7-2. Design Example List of Materials

REFERENCE DESIGNATOR	QTY	VALUE	DESCRIPTION	SIZE	PART NUMBER	MANUF
C1	4	2.2 μ F	Capacitor, Ceramic, 100 V, X7R, 15%	1210	Std	Std
C6	1	120 μ F	Capacitor, Aluminum, 63 V, 20%, KZE Series	0.315"	KZE63VB121M10X16LL	Chemi-con
C7	1	0.1 μ F	Capacitor, Ceramic, 50 V, X7R, 15%	603	Std	Std
C9	2 ea	22 μ F 10 μ F	Capacitor, Ceramic, 16 V, X7R, 15%	1210	Std	Std
C13	1	8200 pF	Capacitor, Ceramic, 50 V, X7R, 15%	603	Std	Std
C14	1	220 pF	Capacitor, Ceramic, 50 V, X7R, 15%	603	Std	Std
C15	1	47 nF	Capacitor, Ceramic, 50 V, X7R, 15%	603	Std	Std
C16	1	1 μ F	Capacitor, 16V, X7R, 15%	603	Std	Std
C17	1	1000 pF	Capacitor, Ceramic, 50 V, X7R, 15%	603	Std	Std
C18	1	1 μ F	Capacitor, Ceramic, 100 V, X7R, 15%	1206	Std	Std
C19	1	4.7 μ F	Capacitor, Ceramic, 16 V, X5R, 15%	805	Std	Std
C21	1	1500 pF	Capacitor, Ceramic, 50 V, X7R, 15%	603	Std	Std
L1	1	8.2 μ H	Inductor, SMT, 10 A, 16 m Ω	0.51"²	IHLP5050FDER8R2M01	Vishay
Q1	1		MOSFET, N-channel, 60 V, 50 A, 11 m Ω		BSC110N06NS3G	Infineon
Q2	1		MOSFET, N-channel, 60 V, 50 A, 7.6 m Ω		BSC076N06NS3G	Infineon
R10	1	2.74 k Ω	Resistor, Chip, 1/16W, 1%	603	Std	R603
R4	1	3.83 k Ω	Resistor, Chip, 1/16W, 1%	603	Std	R603
R5	1	10.0 k Ω	Resistor, Chip, 1/16W, 1%	603	Std	R603
R9	1	12.1 k Ω	Resistor, Chip, 1/16W, 1%	603	Std	R603
R11	1	20.0 k Ω	Resistor, Chip, 1/16W, 1%	603	Std	R603
R6	1	22.1 k Ω	Resistor, Chip, 1/16W, 1%	603	Std	R603

表 7-2. Design Example List of Materials (续)

REFERENCE DESIGNATOR	QTY	VALUE	DESCRIPTION	SIZE	PART NUMBER	MANUF
R7	1	31.6 k Ω	Resistor, Chip, 1/16W, 1%	603	Std	R603
R2	1	200 k Ω	Resistor, Chip, 1/16W, 1%	603	Std	R603
R13	1	511 k Ω	Resistor, Chip, 1/16W, 1%	603	Std	R603
U1			IC, 4.5 V - 60 V wide input sync. PWM buck controller		TPS40170RGY	Texas Instruments

7.2.2.3 Select a Switching Frequency

To maintain acceptable efficiency and meet minimum on-time requirements, a 300 kHz switching frequency is selected.

7.2.2.4 Inductor Selection (L1)

Synchronous buck power inductors are typically sized for approximately 20-40% peak-to-peak ripple current (I_{RIPPLE}) Given this target ripple current, the required inductor size can be calculated in [方程式 21](#).

$$L \approx \frac{V_{\text{IN(max)}} - V_{\text{OUT}}}{0.3 \times I_{\text{OUT}}} \times \frac{V_{\text{OUT}}}{V_{\text{IN(max)}}} \times \frac{1}{f_{\text{SW}}} = \frac{60\text{V} - 5\text{V}}{0.3 \times 6\text{A}} \times \frac{5\text{V}}{60\text{V}} \times \frac{1}{300\text{kHz}} = 8.5\mu\text{H} \quad (21)$$

Selecting a standard 8.2 μH inductor value, solving for $I_{\text{RIPPLE}} = 1.86\text{A}$.

The RMS current through the inductor is approximated by [方程式 22](#).

$$I_{\text{L(rms)}} = \sqrt{(I_{\text{L(avg)}})^2 + \frac{1}{12} \times (I_{\text{RIPPLE}})^2} = \sqrt{(6)^2 + \frac{1}{12} \times (1.86)^2} = 6.02\text{A} \quad (22)$$

7.2.2.5 Output Capacitor Selection (C9)

The selection of the output capacitor is typically driven by the output transient response. The [方程式 23](#) and [方程式 24](#) overestimate the voltage deviation to account for delays in the loop bandwidth and can be used to determine the required output capacitance:

$$V_{\text{OVER}} < \frac{I_{\text{TRAN}}}{C_{\text{OUT}}} \times \Delta T = \frac{I_{\text{TRAN}}}{C_{\text{OUT}}} \times \frac{I_{\text{TRAN}} \times L}{V_{\text{OUT}}} = \frac{(I_{\text{TRAN}})^2 \times L}{V_{\text{OUT}} \times C_{\text{OUT}}} \quad (23)$$

$$V_{\text{UNDER}} < \frac{I_{\text{TRAN}}}{C_{\text{OUT}}} \times \Delta T = \frac{I_{\text{TRAN}}}{C_{\text{OUT}}} \times \frac{I_{\text{TRAN}} \times L}{(V_{\text{IN}} - V_{\text{OUT}})} = \frac{(I_{\text{TRAN}})^2 \times L}{(V_{\text{IN}} - V_{\text{OUT}}) \times C_{\text{OUT}}} \quad (24)$$

If $V_{\text{IN(min)}} > 2 \times V_{\text{OUT}}$, use overshoot to calculate minimum output capacitance. If $V_{\text{IN(min)}} < 2 \times V_{\text{OUT}}$, use undershoot to calculate minimum output capacitance.

7.2.2.6 Peak Current Rating of Inductor

With output capacitance, it is possible to calculate the charge current during start-up and determine the minimum saturation current rating for the inductor. The start-up charging current is approximated in [方程式 25](#).

$$I_{\text{CHARGE}} = \frac{V_{\text{OUT}} \times C_{\text{OUT}}}{t_{\text{SS}}} = \frac{5\text{V} \times (2 \times 22\mu\text{F} + 2 \times 10\mu\text{F})}{4\text{ms}} = 0.08\text{A} \quad (25)$$

$$I_{L(\text{peak})} = I_{\text{OUT}(\text{max})} + \left(\frac{1}{2} \times I_{\text{RIPPLE}}\right) + I_{\text{CHARGE}} = 6\text{ A} + \frac{1}{2} \times 1.86\text{ A} + 0.08\text{ A} = 7.01\text{ A} \quad (26)$$

An IHLP5050FDER8R2M01 8.2 μH is selected. This 10-A, 16-m Ω inductor exceeds the minimum inductor ratings in a 13 mm \times 13 mm package.

7.2.2.7 Input Capacitor Selection (C1, C6)

The input voltage ripple is divided between capacitance and ESR. For this design $V_{\text{RIPPLE}(\text{cap})} = 400\text{ mV}$ and $V_{\text{RIPPLE}(\text{ESR})} = 100\text{ mV}$. The minimum capacitance and maximum ESR are estimated by:

$$C_{\text{IN}(\text{min})} = \frac{I_{\text{LOAD}} \times V_{\text{OUT}}}{V_{\text{RIPPLE}(\text{cap})} \times V_{\text{IN}} \times f_{\text{SW}}} = \frac{6\text{ A} \times 5\text{ V}}{400\text{ mV} \times 10\text{ V} \times 300\text{ kHz}} = 25\text{ }\mu\text{F} \quad (27)$$

$$\text{ESR}_{\text{MAX}} = \frac{V_{\text{RIPPLE}(\text{esr})}}{I_{\text{LOAD}} + \frac{1}{2} \times I_{\text{RIPPLE}}} = \frac{100\text{ mV}}{6.93\text{ A}} = 14.4\text{ m}\Omega \quad (28)$$

The RMS current in the input capacitors is estimated in [方程式 29](#).

$$I_{\text{RMS}(\text{cin})} = I_{\text{LOAD}} \times \sqrt{D \times (1-D)} = 6\text{ A} \times \sqrt{0.5 \times (1-0.5)} = 3.0\text{ A} \quad (29)$$

To achieve these values, four 1210, 2.2 μF , 100 V, X7R ceramic capacitors plus a 120 μF electrolytic capacitor are combined at the input. This provides a smaller size and overall cost than 10 ceramic input capacitors or an electrolytic capacitor with the ESR required.

表 7-3. Inductor Summary

PARAMETER		VALUE	UNIT
L	Inductance	8.2	μH
$I_{L(\text{rms})}$	RMS current (thermal rating)	6.02	A
$I_{L(\text{peak})}$	Peak current (saturation rating)	7.01	A

7.2.2.8 MOSFET Switch Selection (Q1, Q2)

Using the J/K method for MOSFET optimization, apply [方程式 30](#) through [方程式 33](#).

High-side gate (Q1):

$$J = (10)^{-9} \times \left(\frac{V_{\text{IN}} \times I_{\text{OUT}}}{I_{\text{DRIVE}}} + \frac{Q_{\text{G}}}{Q_{\text{SW}}} \times V_{\text{DRIVE}} \right) \times f_{\text{SW}} \quad (\text{W}/\text{nC}) \quad (30)$$

$$K = (10)^{-3} \left((I_{\text{OUT}})^2 + \frac{1}{12} \times (I_{\text{P-P}})^2 \right) \times \left(\frac{V_{\text{OUT}}}{V_{\text{IN}}} \right) \quad (\text{W}/\text{m}\Omega) \quad (31)$$

Low-side gate (Q2):

$$K = (10)^{-3} \left((I_{\text{OUT}})^2 + \frac{1}{12} \times (I_{\text{P-P}})^2 \right) \times \left(1 - \frac{V_{\text{OUT}}}{V_{\text{IN}}} \right) \quad (\text{W}/\text{m}\Omega) \quad (32)$$

$$J = 10^{-9} \left(\frac{V_{\text{FD}} \times I_{\text{OUT}}}{I_{\text{DRIVE}}} + \frac{Q_{\text{G}}}{Q_{\text{SW}}} \times V_{\text{DRIVE}} \right) \times f_{\text{SW}} \quad (\text{W}/\text{nC}) \quad (33)$$

Optimizing for 300 kHz, 24 V input, 5 V output at 6 A, calculate ratios of 5.9 mΩ/nC and 0.5 mΩ/nC for the high-side and low-side FETS respectively. BSC110N06NS2 (Ratio 1.2) and BSC076N06NS3 (Ratio 0.69) MOSFETS are selected.

7.2.2.9 Timing Resistor (R7)

The switching frequency is programmed by the current through R_{RT} to GND. The R_{RT} value is calculated using [方程式 34](#).

$$R_{RT} = \frac{(10)^4}{f_{SW}} - 2k\Omega = \frac{(10)^4}{300kHz} - 2 = 31.3k\Omega \approx 31.6k\Omega \quad (34)$$

7.2.2.10 UVLO Programming Resistors (R2, R6)

The UVLO hysteresis level is programmed by R2 using [方程式 35](#).

$$R_{UVLO(hys)} = \frac{V_{UVLO(on)} - V_{UVLO(off)}}{I_{UVLO}} = \frac{9V - 8V}{5.0\mu A} = 200k\Omega \quad (35)$$

$$R_{UVLO(set)} > R_{UVLO(hys)} \frac{V_{UVLO(max)}}{(V_{UVLO_ON(min)} - V_{UVLO(max)})} = 200k\Omega \frac{0.919V}{(9.0V - 0.919V)} = 22.7k\Omega \approx 22.1k\Omega \quad (36)$$

7.2.2.11 Boot-Strap Capacitor (C7)

A bootstrap capacitor with a value between 0.1 μF and 0.22 μF must be placed between the BOOT pin and the SW pin. It must be 10 times higher than MOSFET gate capacitance. To ensure proper charging of the high-side FET gate, limit the ripple voltage on the boost capacitor to less than 250 mV.

$$C_{BOOST} = \frac{Q_{G1}}{V_{BOOT(ripple)}} = \frac{25nC}{250mV} = 100nF \quad (37)$$

7.2.2.12 VIN Bypass Capacitor (C18)

Place a capacitor with a value of 1.0 μF. Select a capacitor with a value from 0.1 μF to 1.0 μF, X5R or better ceramic bypass capacitor for VIN as specified in [Recommended Operating Conditions](#). For this design a 1.0-μF, 100-V, X7R capacitor has been selected.

7.2.2.13 VBP Bypass Capacitor (C19)

Select a capacitor with a value from 1.0 μF to 10 μF, X5R or better ceramic bypass capacitor for VBP as specified in [Recommended Operating Conditions](#). It must be at least 10 times higher than the bootstrap capacitance. For this design a 4.7-μF, 16-V capacitor has been selected.

7.2.2.14 VDD Bypass Capacitor (C16)

Select a capacitor with a value between 0.1 μF and 1 μF, X5R or better ceramic bypass capacitor for VDD as specified in [Recommended Operating Conditions](#). For this design a 1-μF, 16-V capacitor has been selected.

7.2.2.15 SS Timing Capacitor (C15)

The soft-start capacitor provides smooth ramp of the error amplifier reference voltage for controlled start-up. The soft-start capacitor is selected by using [方程式 38](#).

$$C_{SS} = \frac{t_{SS}}{0.09} = \frac{4ms}{0.09} = 44nF \approx 47nF \quad (38)$$

7.2.2.16 ILIM Resistor (R9, C17)

The TPS40170 use the negative drop across the low-side FET at the end of the "OFF" time to measure the inductor current. Allowing for 30% over the minimum current limit for transient recovery and 20% rise in $R_{DS(on)Q2}$ for self-heating of the MOSFET, the voltage drop across the low-side FET at current limit is given by [方程式 39](#).

$$V_{OC} = \left((1.3 \times I_{OCP(min)}) + \left(\frac{1}{2} \times I_{RIPPLE} \right) \right) \times 1.25 \times R_{DS(on)G2} = (1.3 \times 8A + \frac{1}{2} \times 1.86A) \times 1.25 \times 7.6m\Omega = 107.6mV \quad (39)$$

The internal current limit temperature coefficient helps compensate for the MOSFET $R_{DS(on)}$ temperature coefficient, so the current limit programming resistor is selected by [方程式 40](#).

$$R_{ILIM} = \frac{V_{OC}}{I_{OCSET(min)}} = \frac{107.6mV}{9.0\mu A} = 12.0k\Omega \approx 12.1k\Omega \quad (40)$$

A 1000 pF capacitor is placed in parallel to improve noise immunity of the current limit set-point.

7.2.2.17 SCP Multiplier Selection (R5)

The TPS40170 controller uses a multiplier (A_{OC}) to translate the low-side over-current protection into a high-side $R_{DS(on)}$ pulse-by-pulse short-circuit protection. Ensure that [方程式 41](#) is true.

$$A_{OC} > \frac{I_{OCP(min)} + \left(\frac{1}{2} \times I_{RIPPLE} \right)}{I_{OCP(min)} + \left(\frac{1}{2} \times I_{RIPPLE} \right)} \times \frac{R_{DS(on)Q1}}{R_{DS(on)Q2}} = \frac{8A + \frac{1}{2} \times 1.86A}{8A + \frac{1}{2} \times 1.86A} \times \frac{11m\Omega}{7.6m\Omega} = 1.45 \quad (41)$$

$A_{OC} = 3$ is selected as the next greater A_{OC} . The value of R5 is set to 10 k Ω .

7.2.2.18 Feedback Divider (R10, R11)

The TPS40170 controller uses a full operational amplifier with an internally fixed 0.6 V reference. The value of R11 is selected between 10 k Ω and 50 k Ω for a balance of feedback current and noise immunity. With the value of R11 set to 20 k Ω , the output voltage is programmed with a resistor divider given by [方程式 42](#).

$$R10 = \frac{V_{FB} \times R11}{(V_{OUT} - V_{FB})} = \frac{0.600V \times 20.0k\Omega}{(5.0V - 0.600V)} = 2.73k\Omega \approx 2.74k\Omega \quad (42)$$

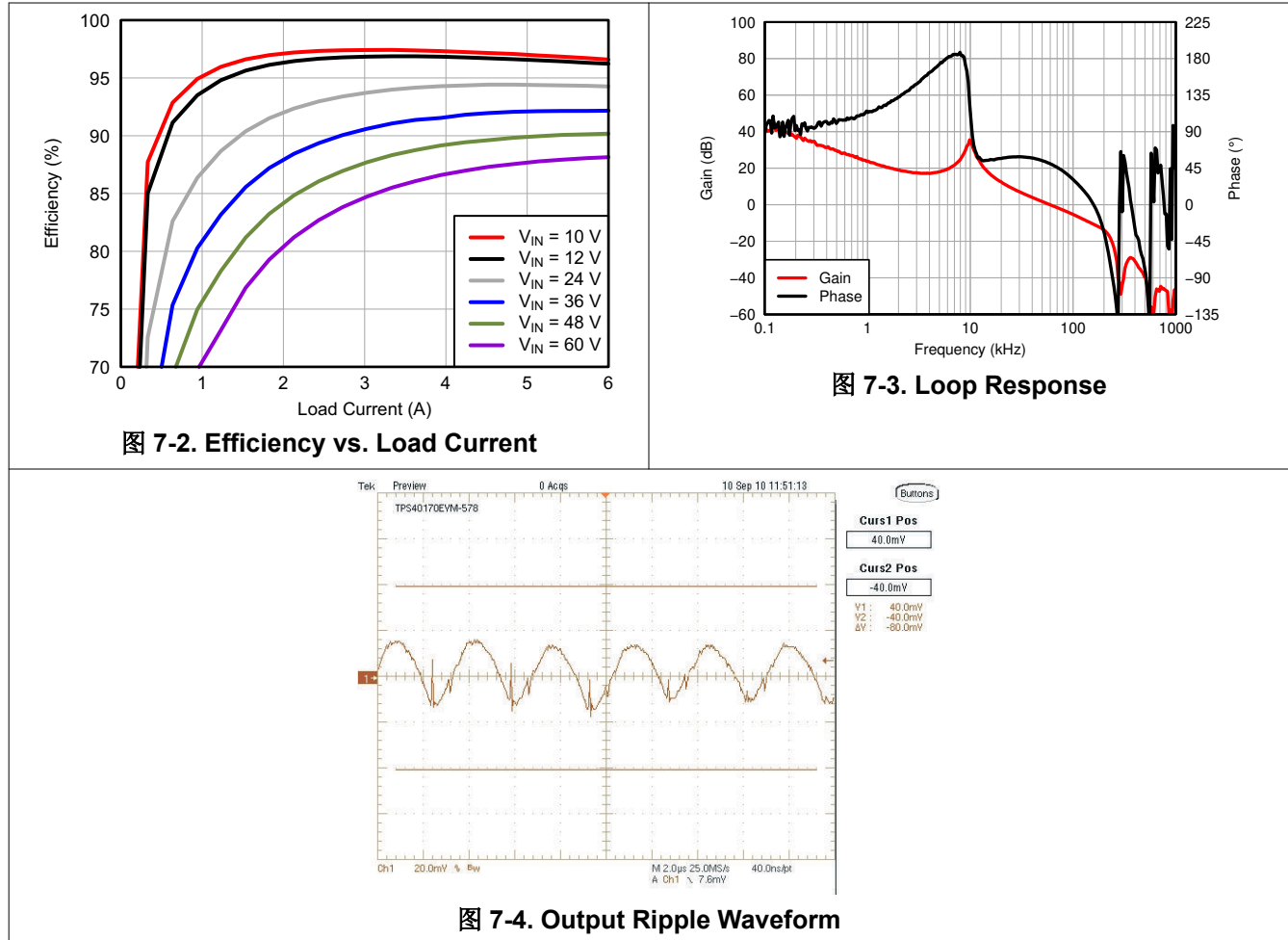
7.2.2.19 Compensation: (R4, R13, C13, C14, C21)

Using the TPS40k Loop Stability Tool for a 60 kHz bandwidth and a 50° phase margin with an R11 value of 20.0 k Ω , the following values are obtained. The tool is available from the TI website, [SLUC263](#).

- C21 = C1 = 1500 pF
- C13 = C2 = 8200 pF
- C14 = C3 = 220 pF
- R13 = R2 = 511 Ω
- R4 = R3 = 3.83 k Ω

7.2.3 Application Curves

图 7-2 shows an input from 10 V to 60 V for an output of 5.0 V at 6 A, efficiency graph for this design. 图 7-3 shows an input of 24 V for an output of 5.0 V at 6 A, loop response where $V_{IN} = 24$ V and $I_{OUT} = 6$ A, yielding 58-kHz bandwidth, 51° phase margin. 图 7-4 shows the output ripple 20 mV/div, 2 μ s/div, 20-MHz bandwidth.



7.3 Power Supply Recommendations

The TPS40170 is designed for operation from an input voltage supply range between 4.5 V and 60 V. Good regulation of this input supply is essential. If the input supply is more distant than a few inches from the TPS40170 and the buck power stage, the circuit can require additional bulk capacitance in addition to ceramic bypass capacitors. An electrolytic capacitor with a value of 120 μ F is a typical choice.

7.4 Layout

7.4.1 Layout Guidelines

[Top Copper, Viewed From Top](#) illustrates an example layout. For the controller, it is important to carefully connect noise sensitive signals such as RT, SS, FB, and comp as close to the IC as possible and connect to AGND as shown. The PowerPad must be connected to any internal PCB ground planes using multiple vias directly under the IC. The AGND and PGND must be connected at a single point.

When using high-performance FETs such as NexFET™ from Texas Instruments, careful attention to the layout is required. Minimize the distance between positive node of the input ceramic capacitor and the drain pin of the control (high-side) FET. Minimize the distance between the negative node of the input ceramic capacitor and the

source pin of the synchronization (low-side) FET. Because of the large gate drive, smaller gate charge, and faster turn-on times of the high-performance FETs, it is recommended to use a minimum of 4, 10 μF ceramic input capacitors such as TDK #C3216X5R1A106M. Ensure the layout allows a continuous flow of the power planes.

The layout of the HPA578 EVM is shown in [Top Copper, Viewed From Top](#) through [Internal Layer 2, Viewed from Top](#) for reference.

7.4.2 Layout Example

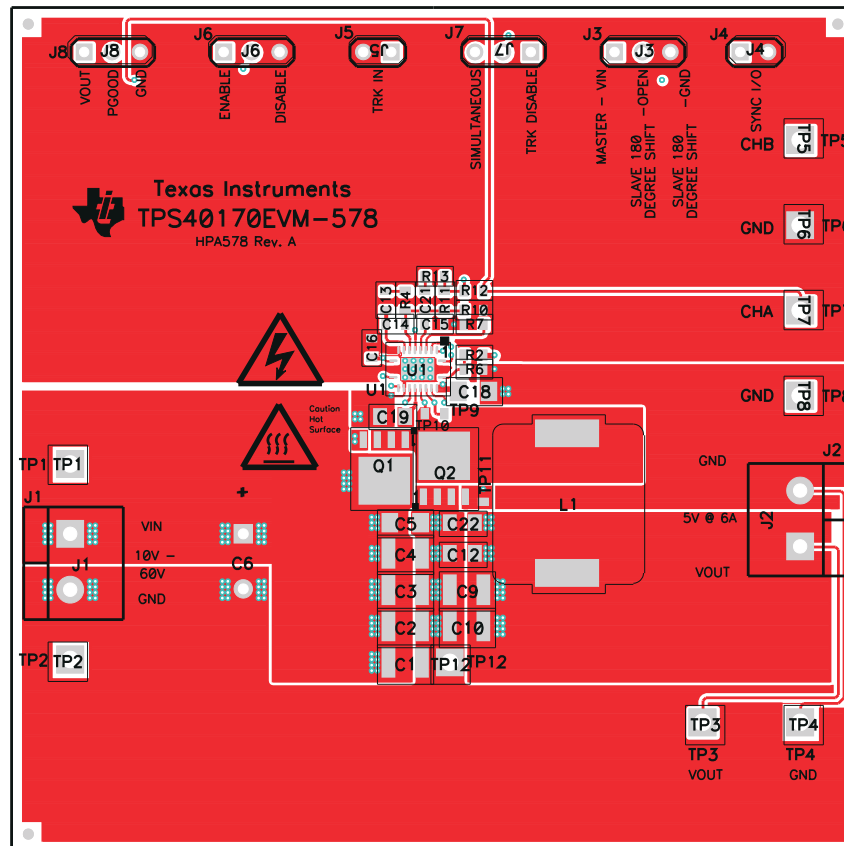


图 7-5. Top Copper, Viewed From Top

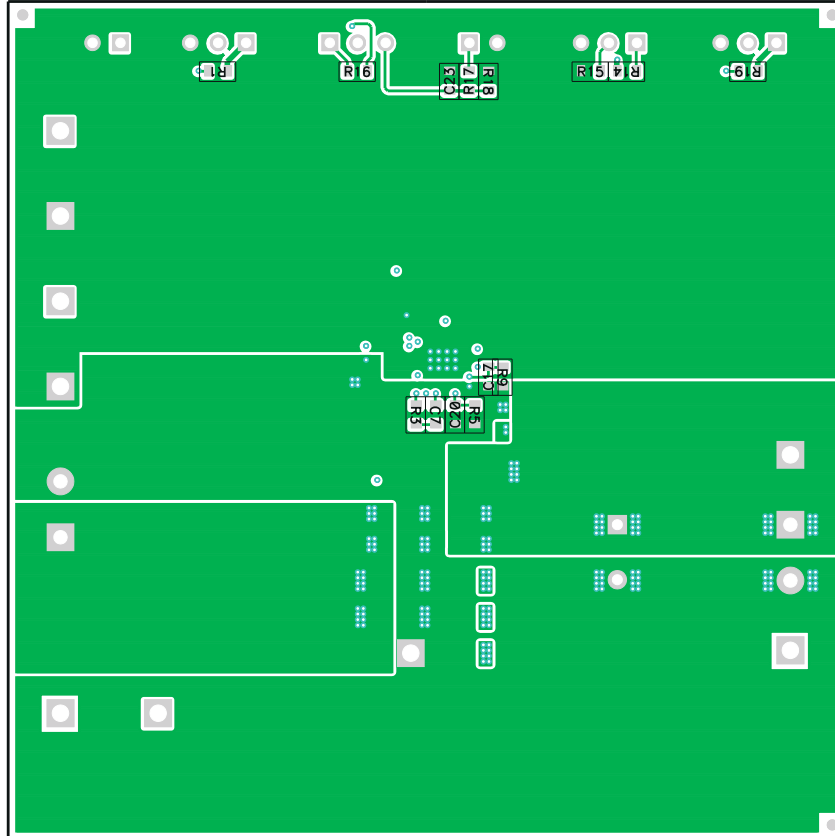


图 7-6. Bottom Copper, Viewed From Bottom

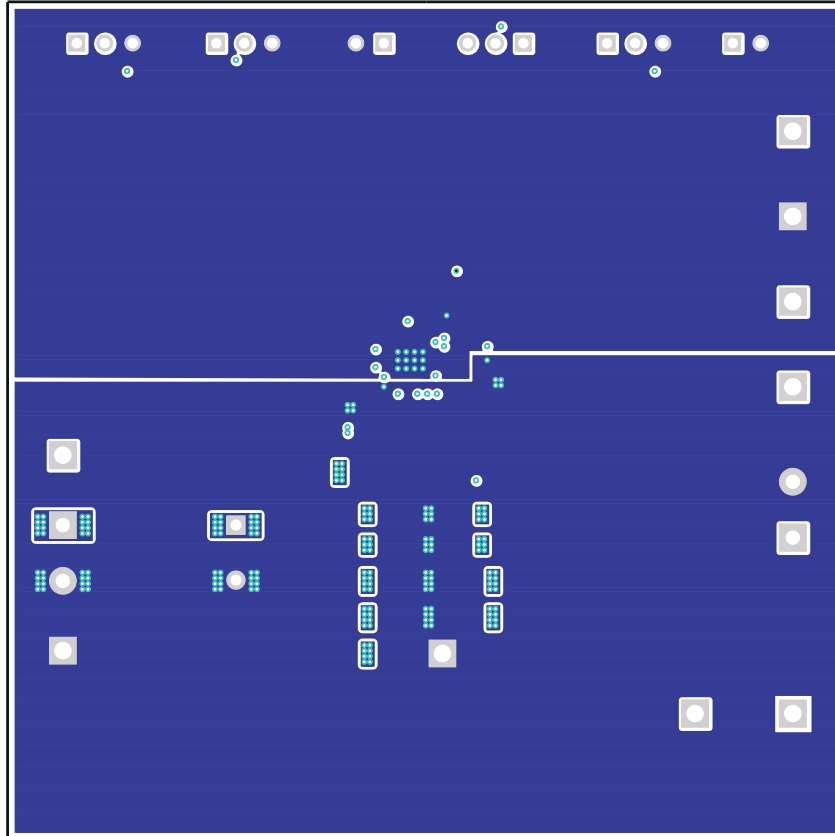


图 7-7. Internal Layer 1, Viewed from Top

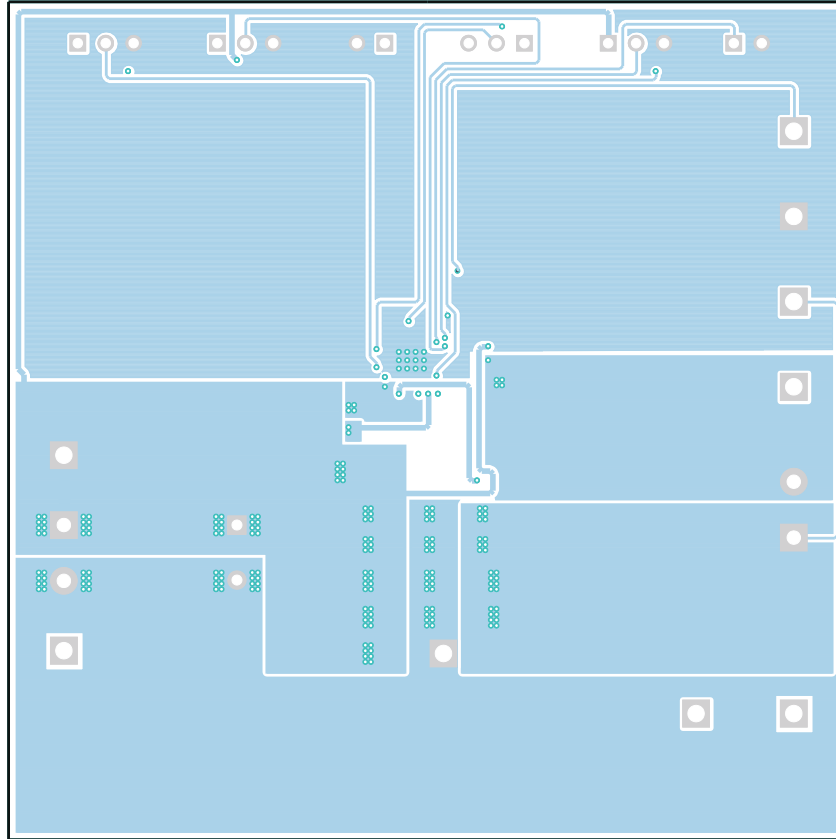


图 7-8. Internal Layer 2, Viewed from Top

8 Device and Documentation Support

8.1 Device Support

8.1.1 第三方产品免责声明

TI 发布的与第三方产品或服务有关的信息，不能构成与此类产品或服务或保修的适用性有关的认可，不能构成此类产品或服务单独或与任何 TI 产品或服务一起的表示或认可。

8.1.2 Development Support

8.1.2.1 Custom Design with WEBENCH® Tools

[Click here](#) to create a custom design using the WEBENCH Power Designer.

1. Start by entering your V_{IN} , V_{OUT} and I_{OUT} requirements.
2. Optimize your design for key parameters like efficiency, footprint and cost using the optimizer dial and compare this design with other possible solutions from Texas Instruments.
3. WEBENCH Power Designer provides you with a customized schematic along with a list of materials with real time pricing and component availability.
4. In most cases, you will also be able to:
 - Run electrical simulations to see important waveforms and circuit performance,
 - Run thermal simulations to understand the thermal performance of your board,
 - Export your customized schematic and layout into popular CAD formats,
 - Print PDF reports for the design, and share your design with colleagues.

8.1.3 Related Devices

The following device has characteristics similar to the TPS40170 and can be of interest.

DEVICE	DESCRIPTION
TPS40057	Wide Input Synchronous Buck Controller

8.2 Documentation Support

8.2.1 Related Documentation

For related documentation, see the following:

- Texas Instruments, [Understanding output voltage limitations of DC/DC buck converters](#) analog design journal

8.3 接收文档更新通知

要接收文档更新通知，请导航至 ti.com 上的器件产品文件夹。点击 [通知](#) 进行注册，即可每周接收产品信息更改摘要。有关更改的详细信息，请查看任何已修订文档中包含的修订历史记录。

8.4 支持资源

TI E2E™ [中文支持论坛](#) 是工程师的重要参考资料，可直接从专家处获得快速、经过验证的解答和设计帮助。搜索现有解答或提出自己的问题，获得所需的快速设计帮助。

链接的内容由各个贡献者“按原样”提供。这些内容并不构成 TI 技术规范，并且不一定反映 TI 的观点；请参阅 TI 的 [使用条款](#)。

8.5 Trademarks

NexFET™ and TI E2E™ are trademarks of Texas Instruments.

WEBENCH® is a registered trademark of Texas Instruments.

所有商标均为其各自所有者的财产。

8.6 静电放电警告



静电放电 (ESD) 会损坏这个集成电路。德州仪器 (TI) 建议通过适当的预防措施处理所有集成电路。如果不遵守正确的处理和安装程序，可能会损坏集成电路。

ESD 的损坏小至导致微小的性能降级，大至整个器件故障。精密的集成电路可能更容易受到损坏，这是因为非常细微的参数更改都可能会导致器件与其发布的规格不相符。

8.7 术语表

TI 术语表 本术语表列出并解释了术语、首字母缩略词和定义。

9 Revision History

注：以前版本的页码可能与当前版本的页码不同

Changes from Revision B (December 2014) to Revision C (November 2023) Page

• 在 <i>特性</i> 部分中添加了新款类似产品的简介.....	1
• 更新了整个文档中的表格、图和交叉参考的编号格式.....	1
• 将提到的所有旧术语实例更改为主要和辅助.....	1
• 在 <i>说明</i> 部分中添加了新款类似产品的简介.....	1
• 更改了“封装尺寸”的英文表达，并向 <i>封装信息</i> 表添加了表注.....	1

Changes from Revision A (November 2013) to Revision B (December 2014) Page

• Added Handling Ratings table, Feature Description section, Device Functional Modes, Application and Implementation section, Power Supply Recommendations section, Layout section, Device and Documentation Support section, and Mechanical, Packaging, and Orderable Information section.....	3
---	---

Changes from Revision * (March 2011) to Revision A (November 2013) Page

• Deleted Ordering Information table. Replaced with Package Option Addenda inserted after the last page of this data sheet.	3
• Added clarity to	16
• Added significant clarity to and corrected typographic errors in DESIGN EXAMPLE	32

10 Mechanical, Packaging, and Orderable Information

The following pages include mechanical, packaging, and orderable information. This information is the most current data available for the designated devices. This data is subject to change without notice and revision of this document. For browser-based versions of this data sheet, refer to the left-hand navigation.

PACKAGING INFORMATION

Orderable part number	Status (1)	Material type (2)	Package Pins	Package qty Carrier	RoHS (3)	Lead finish/ Ball material (4)	MSL rating/ Peak reflow (5)	Op temp (°C)	Part marking (6)
TPS40170RGYR	Active	Production	VQFN (RGY) 20	3000 LARGE T&R	Yes	NIPDAU	Level-2-260C-1 YEAR	-40 to 125	40170
TPS40170RGYT	Active	Production	VQFN (RGY) 20	250 SMALL T&R	Yes	NIPDAU	Level-2-260C-1 YEAR	-40 to 125	40170

(1) **Status:** For more details on status, see our [product life cycle](#).

(2) **Material type:** When designated, preproduction parts are prototypes/experimental devices, and are not yet approved or released for full production. Testing and final process, including without limitation quality assurance, reliability performance testing, and/or process qualification, may not yet be complete, and this item is subject to further changes or possible discontinuation. If available for ordering, purchases will be subject to an additional waiver at checkout, and are intended for early internal evaluation purposes only. These items are sold without warranties of any kind.

(3) **RoHS values:** Yes, No, RoHS Exempt. See the [TI RoHS Statement](#) for additional information and value definition.

(4) **Lead finish/Ball material:** Parts may have multiple material finish options. Finish options are separated by a vertical ruled line. Lead finish/Ball material values may wrap to two lines if the finish value exceeds the maximum column width.

(5) **MSL rating/Peak reflow:** The moisture sensitivity level ratings and peak solder (reflow) temperatures. In the event that a part has multiple moisture sensitivity ratings, only the lowest level per JEDEC standards is shown. Refer to the shipping label for the actual reflow temperature that will be used to mount the part to the printed circuit board.

(6) **Part marking:** There may be an additional marking, which relates to the logo, the lot trace code information, or the environmental category of the part.

Multiple part markings will be inside parentheses. Only one part marking contained in parentheses and separated by a "~" will appear on a part. If a line is indented then it is a continuation of the previous line and the two combined represent the entire part marking for that device.

Important Information and Disclaimer:The information provided on this page represents TI's knowledge and belief as of the date that it is provided. TI bases its knowledge and belief on information provided by third parties, and makes no representation or warranty as to the accuracy of such information. Efforts are underway to better integrate information from third parties. TI has taken and continues to take reasonable steps to provide representative and accurate information but may not have conducted destructive testing or chemical analysis on incoming materials and chemicals. TI and TI suppliers consider certain information to be proprietary, and thus CAS numbers and other limited information may not be available for release.

In no event shall TI's liability arising out of such information exceed the total purchase price of the TI part(s) at issue in this document sold by TI to Customer on an annual basis.

OTHER QUALIFIED VERSIONS OF TPS40170 :

- Automotive : [TPS40170-Q1](#)

- Enhanced Product : [TPS40170-EP](#)

NOTE: Qualified Version Definitions:

- Automotive - Q100 devices qualified for high-reliability automotive applications targeting zero defects
- Enhanced Product - Supports Defense, Aerospace and Medical Applications

TAPE AND REEL INFORMATION

QUADRANT ASSIGNMENTS FOR PIN 1 ORIENTATION IN TAPE


*All dimensions are nominal

Device	Package Type	Package Drawing	Pins	SPQ	Reel Diameter (mm)	Reel Width W1 (mm)	A0 (mm)	B0 (mm)	K0 (mm)	P1 (mm)	W (mm)	Pin1 Quadrant
TPS40170RGYR	VQFN	RGY	20	3000	330.0	12.4	3.8	4.8	1.6	8.0	12.0	Q1
TPS40170RGYT	VQFN	RGY	20	250	180.0	12.4	3.8	4.8	1.6	8.0	12.0	Q1

TAPE AND REEL BOX DIMENSIONS


*All dimensions are nominal

Device	Package Type	Package Drawing	Pins	SPQ	Length (mm)	Width (mm)	Height (mm)
TPS40170RGYR	VQFN	RGY	20	3000	356.0	356.0	35.0
TPS40170RGYT	VQFN	RGY	20	250	210.0	185.0	35.0

GENERIC PACKAGE VIEW

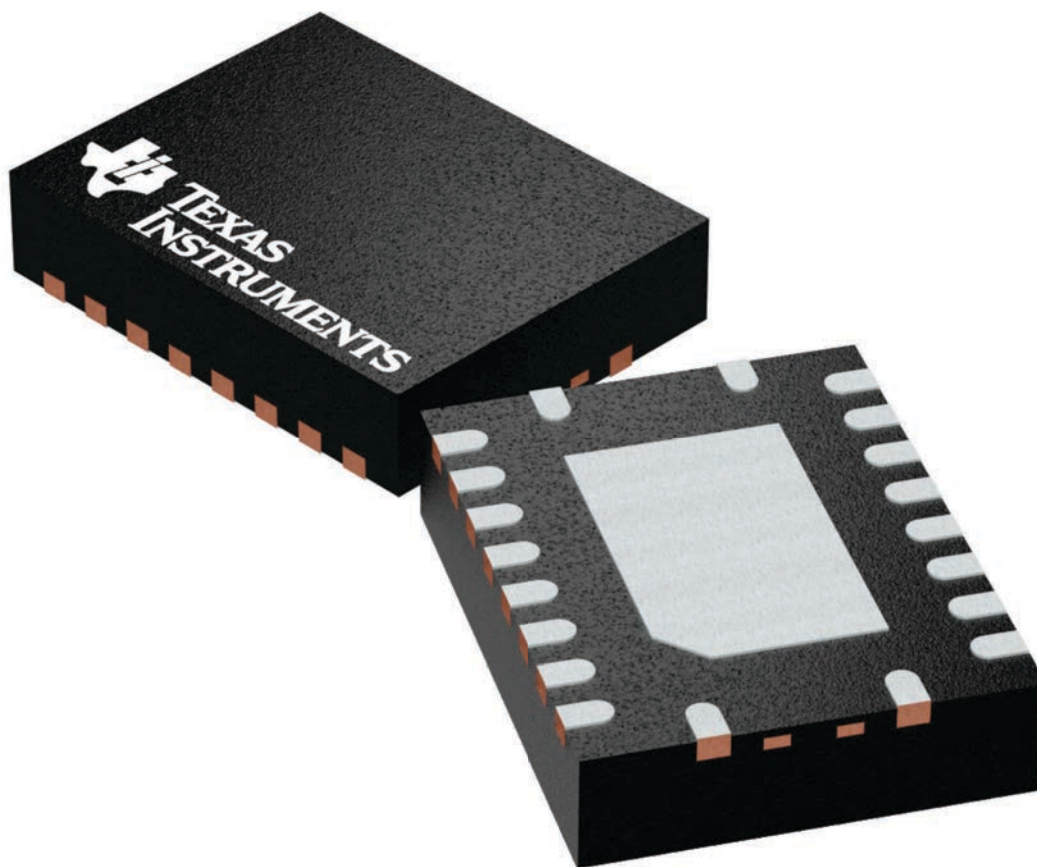
RGY 20

VQFN - 1 mm max height

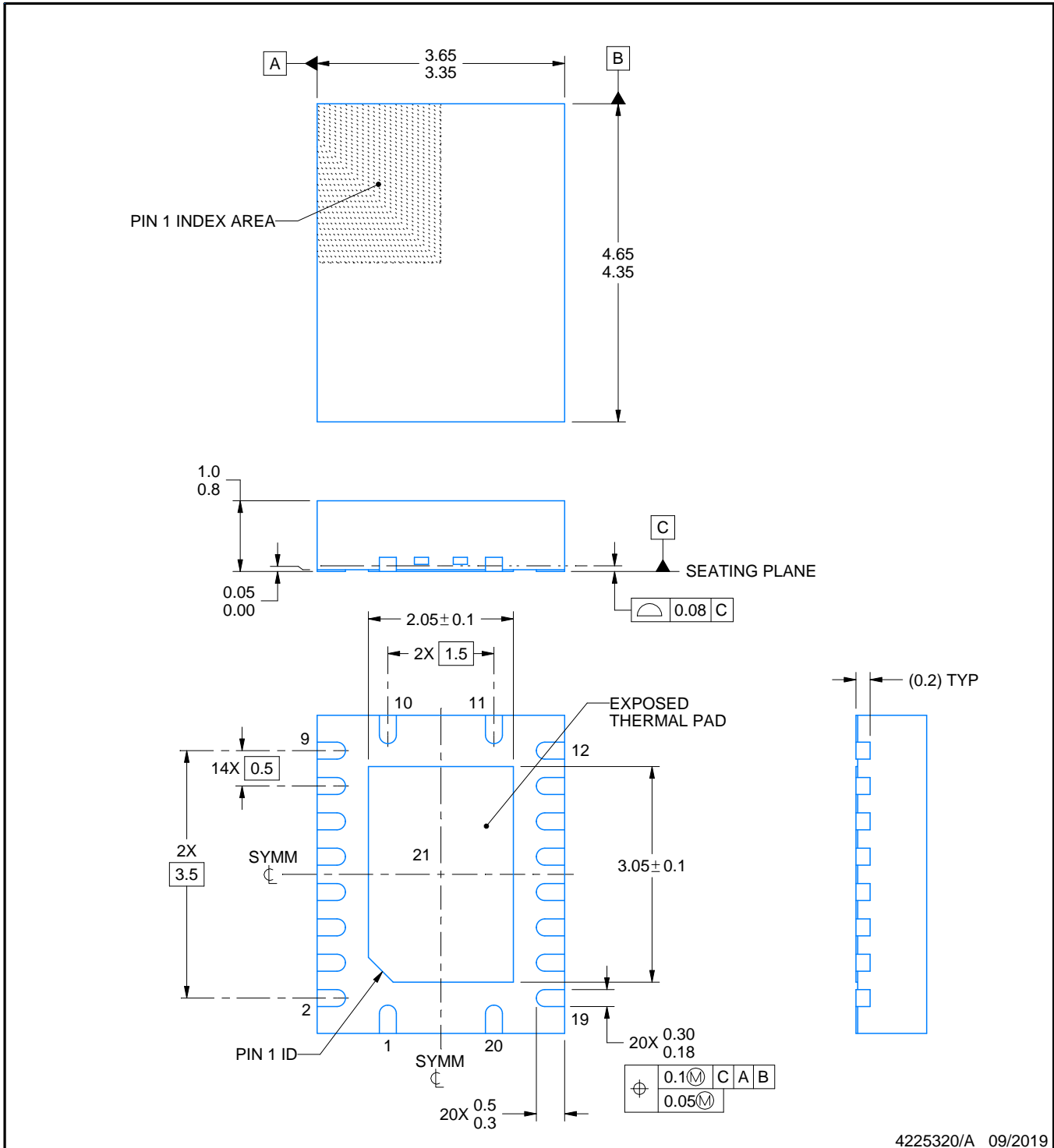
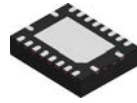
3.5 x 4.5, 0.5 mm pitch

PLASTIC QUAD FGLATPACK - NO LEAD

This image is a representation of the package family, actual package may vary.
Refer to the product data sheet for package details.



4225264/A



4225320/A 09/2019

NOTES:

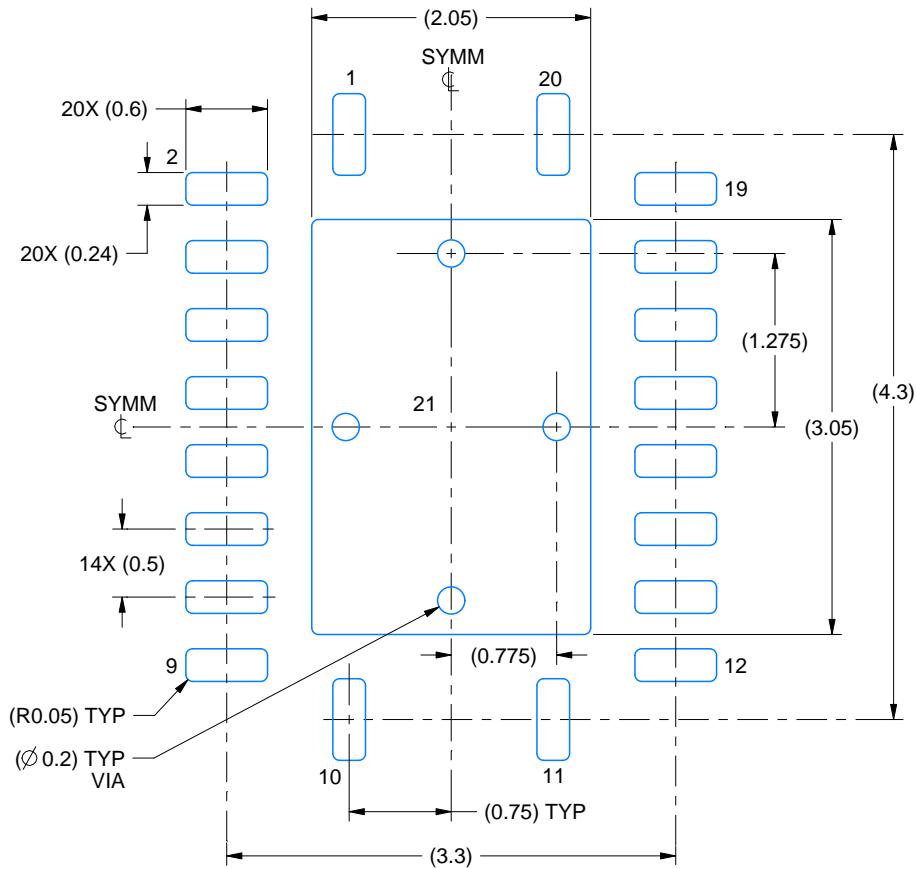
1. All linear dimensions are in millimeters. Any dimensions in parenthesis are for reference only. Dimensioning and tolerancing per ASME Y14.5M.
2. This drawing is subject to change without notice.
3. The package thermal pad must be soldered to the printed circuit board for thermal and mechanical performance.

EXAMPLE BOARD LAYOUT

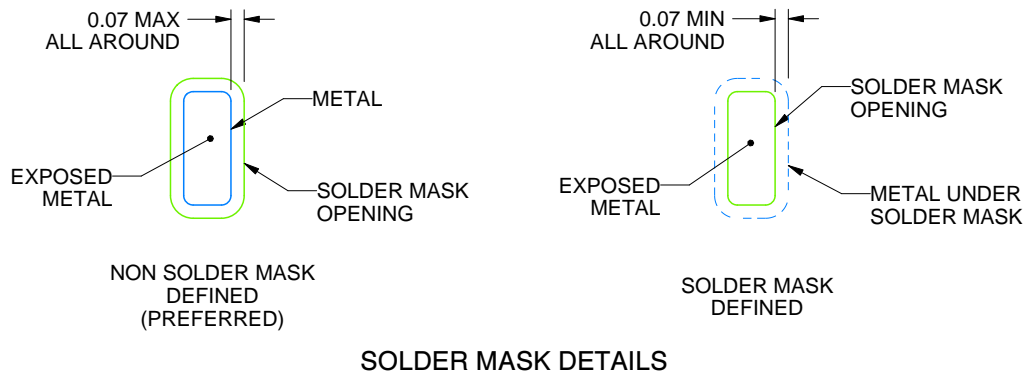
RGY0020A

VQFN - 1 mm max height

PLASTIC QUAD FLATPACK - NO LEAD



LAND PATTERN EXAMPLE
EXPOSED METAL SHOWN
SCALE:18X



SOLDER MASK DETAILS

4225320/A 09/2019

NOTES: (continued)

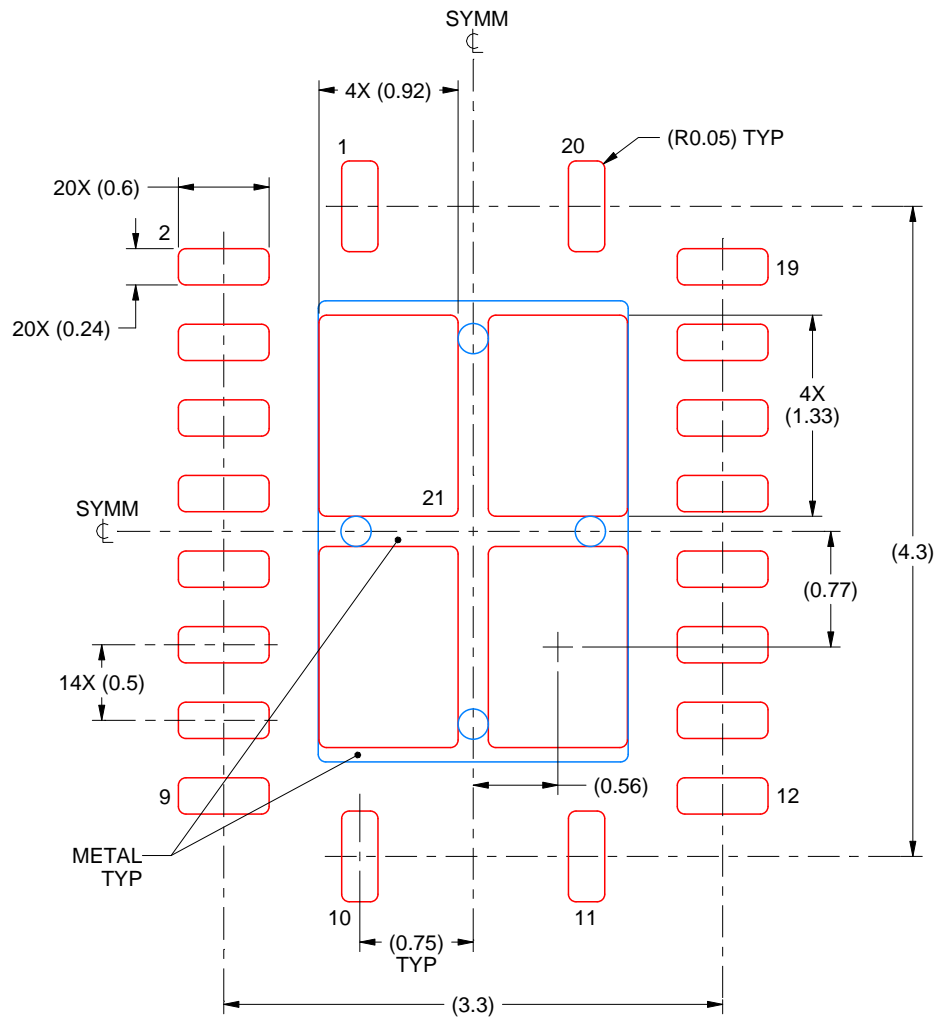
4. This package is designed to be soldered to a thermal pad on the board. For more information, see Texas Instruments literature number SLUA271 (www.ti.com/lit/slua271).
5. Vias are optional depending on application, refer to device data sheet. If any vias are implemented, refer to their locations shown on this view. It is recommended that vias under paste be filled, plugged or tented.

EXAMPLE STENCIL DESIGN

RGY0020A

VQFN - 1 mm max height

PLASTIC QUAD FLATPACK - NO LEAD



SOLDER PASTE EXAMPLE
BASED ON 0.125 mm THICK STENCIL

EXPOSED PAD 21
78% PRINTED SOLDER COVERAGE BY AREA UNDER PACKAGE
SCALE:20X

4225320/A 09/2019

NOTES: (continued)

6. Laser cutting apertures with trapezoidal walls and rounded corners may offer better paste release. IPC-7525 may have alternate design recommendations.

重要通知和免责声明

TI“按原样”提供技术和可靠性数据（包括数据表）、设计资源（包括参考设计）、应用或其他设计建议、网络工具、安全信息和其他资源，不保证没有瑕疵且不做任何明示或暗示的担保，包括但不限于对适销性、某特定用途方面的适用性或不侵犯任何第三方知识产权的暗示担保。

这些资源可供使用 TI 产品进行设计的熟练开发人员使用。您将自行承担以下全部责任：(1) 针对您的应用选择合适的 TI 产品，(2) 设计、验证并测试您的应用，(3) 确保您的应用满足相应标准以及任何其他功能安全、信息安全、监管或其他要求。

这些资源如有变更，恕不另行通知。TI 授权您仅可将这些资源用于研发本资源所述的 TI 产品的相关应用。严禁以其他方式对这些资源进行复制或展示。您无权使用任何其他 TI 知识产权或任何第三方知识产权。您应全额赔偿因在这些资源的使用中对 TI 及其代表造成的任何索赔、损害、成本、损失和债务，TI 对此概不负责。

TI 提供的产品受 [TI 的销售条款](#) 或 [ti.com](#) 上其他适用条款/TI 产品随附的其他适用条款的约束。TI 提供这些资源并不会扩展或以其他方式更改 TI 针对 TI 产品发布的适用的担保或担保免责声明。

TI 反对并拒绝您可能提出的任何其他或不同的条款。

邮寄地址：Texas Instruments, Post Office Box 655303, Dallas, Texas 75265
版权所有 © 2025，德州仪器 (TI) 公司