

USB 充电端口电源开关与控制器

 查询样品: [TPS2540](#), [TPS2540A](#), [TPS2541](#)

特性

- 符合针对 **DCP** 和 **CDP** 的电池充电规范 **BC1.2**
- 符合中国电信行业标准 **YD/T 1591-2009**
- 支持睡眠模式充电, 适合大多数市售 **Apple®** 设备和/或符合 **BC1.2** 规范的设备 **Compliant Devices**
- 可兼容 **USB 2.0** 和 **3.0** 电源开关要求
- **2.6GHz** 带宽 **USB 2.0** 数据开关
- **73mΩ** (典型值) 高侧 **MOSFET**
- 高达 **2.8A** (典型值) 的可调电流限值
- **OUT** 通过 **CTLx=000 (TPS2540 / 2540A)** 或 **DSC (TPS2541)** 输入进行放电
- 较长的分离检测时间 (**detach detection time**) 可支持更多的老式设备
- 采用 **16** 引脚 **QFN** 封装

应用

- **USB** 端口/集线器
- 笔记本 **PC**
- 通用型墙上充电适配器

说明

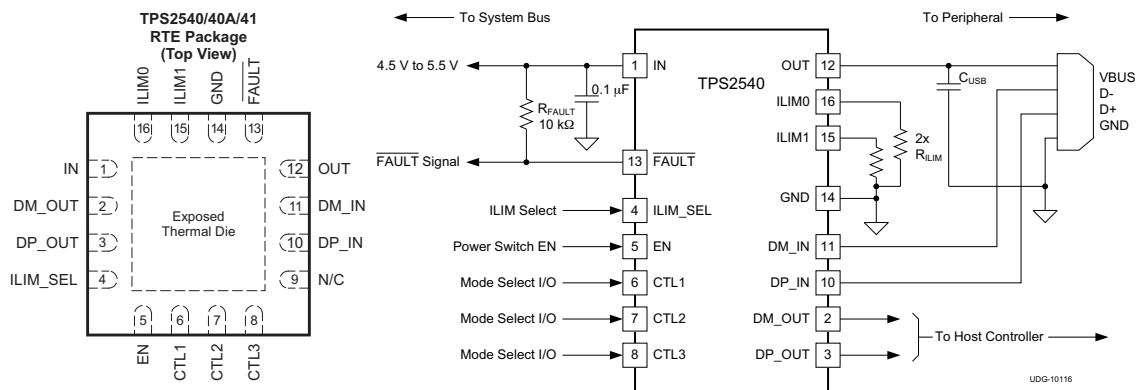
TPS2540 / 40A 和 TPS2541 整合了限流的 USB 端口电源开关和 USB 2.0 高速数据线 (D+ / D-) 开关以及 USB 充电端口识别电路。其应用包括笔记本 PC 和其他智能型 USB 主机设备。另外, 宽带宽 (2.6 GHz) 数据线开关还具有低电容和低导通电阻, 因而可最大限度地降低信号传输的边缘与相位失真。TPS2540 / 40A / 41 监视 D+ 和 D-, 并与兼容的客户端设备提供了正确的信号交换协议。

TPS2540 / 40A / 41 支持下列充电逻辑方案:

- **USB 2.0 BC1.2**
- 中国电信标准 **YD/T 1591-2009**
- 分频器模式 (**Divider Mode**), 可兼容 Apple 设备 (例如: **iPod®** 和 **iPhone®**)

CTL1~CTL3 逻辑输入用于从 TPS2540 / 40A 和 TPS2541 所提供的多种充电模式中选择其一。这些充电模式允许主机设备在专用充电端口 (**DCP**) (模仿墙上适配器)、充电下游端口 (**CDP**) (可支持 1.5A 充电电流的有源 USB 2.0 数据通信) 或标准下游端口 (**SDP**) (可支持 500mA 电流的有源 USB 2.0 数据通信) 之间进行主动选择。此外, TPS2540 / 40A / 41 还集成了一种自动检测功能, 该功能既支持符合电池充电规范 (**BC1.2**) 的 **DCP** 方案, 同时也支持分频器模式 (**Divider Mode**), 无需用户从外部进行干预。

TPS2540 / 40A / 41 RTE 封装及典型应用示意图



Please be aware that an important notice concerning availability, standard warranty, and use in critical applications of Texas Instruments semiconductor products and disclaimers thereto appears at the end of this data sheet.

Apple, iPod, iPhone are registered trademarks of Apple Inc.



这些装置包含有限的内置 ESD 保护。

存储或装卸时，应将导线一起截短或将装置放置于导电泡棉中，以防止 MOS 门极遭受静电损伤。

DESCRIPTION (CONT.)

The TPS2540A auto detect mode also has a longer detach detection time, so that it can support certain unique non-compliant devices. The TPS2540/40A/41 power-distribution switch is intended for applications where heavy capacitive loads and short-circuits are likely to be encountered, incorporating a 73-mΩ, N-channel MOSFET in a single package. Constant-current mode is used when the output load exceeds the current-limit threshold. ILIM_SEL logic input selects one of two current-limit thresholds, each one being individually adjustable via an external resistor. Additional USB switch features include a de-glitched output fault reporting (FAULT), and a logic-level enable EN (TPS2540/40A) or OUT discharge control DSC (TPS2541). With the TPS2540/40A, the mode “000” is used to force an output discharge.

PRODUCT INFORMATION⁽¹⁾

T _A	FUNCTION	PACKAGE	MARKING
-40°C to 85°C	Enable	QFN16	2540
	Output Discharge		2541

(1) For the most current package and ordering information, see the Package Option Addendum at the end of this document, or visit the device product folder on www.ti.com.

ABSOLUTE MAXIMUM RATINGS⁽¹⁾

over operating free-air temperature range, voltages are referenced to GND (unless otherwise noted)

PARAMETER		MIN	MAX	UNIT
Supply voltage range	IN	-0.3	7	V
Input voltage range	EN (TPS2540/40A), DSC (TPS2541), ILIM0, ILIM1, ILIM_SEL, CTL1, CTL2, CTL3	-0.3	7	
Voltage range	OUT, FAULT ⁽²⁾	-0.3	7	
Voltage range	IN to OUT	-7	7	
Voltage range	DP_IN, DM_IN, DP_OUT, DM_OUT	-0.3	(IN + 0.3) or 5.7	
Input clamp current	DP_IN, DM_IN, DP_OUT, DM_OUT		±20	mA
Continuous current in SDP or CDP mode	DP_IN to DP_OUT or DM_IN to DM_OUT		±100	
Continuous current in BC1.2 DCP mode	DP_IN to DM_IN		±35	
Continuous output current	I _{OUT}	Internally limited		mA
Continuous output sink current	FAULT		25	
Continuous output source current	ILIM0, ILIM1		1	
Continuous total power dissipation		Internally limited		kV
ESD rating, Human Body Model (HBM)	IN, ILIM_SEL, EN, DSC, CTL1, CTL2, CTL3, N/C, OUT, FAULT, GND, ILIM1, ILIM0		2	
	DP_IN, DM_IN, DP_OUT, DM_OUT		8	
ESD rating, Charged Device Model (CDM)			500	V
Operating Junction temperature	T _J	Internally limited		°C
Storage temperature range	T _{stg}	-65	150	

(1) Stresses beyond those listed under "absolute maximum ratings" may cause permanent damage to the device. These are stress ratings only and functional operation of the device at these or any other conditions beyond those indicated under "recommended operating conditions" is not implied. Exposure to absolute-maximum-rated conditions for extended periods may affect device reliability.

(2) Do not apply external voltage sources directly.

THERMAL INFORMATION

THERMAL METRIC ⁽¹⁾		TPS2540 TPS2540A TPS2541	UNITS
		RTE	
		16 PINS	
θ_{JA}	Junction-to-ambient thermal resistance ⁽²⁾	53.4	°C/W
θ_{JCTop}	Junction-to-case (top) thermal resistance ⁽³⁾	51.4	
θ_{JB}	Junction-to-board thermal resistance ⁽⁴⁾	17.2	
ψ_{JT}	Junction-to-top characterization parameter ⁽⁵⁾	3.7	
ψ_{JB}	Junction-to-board characterization parameter ⁽⁶⁾	20.7	
θ_{JCbott}	Junction-to-case (bottom) thermal resistance ⁽⁷⁾	3.9	

- (1) For more information about traditional and new thermal metrics, see the *IC Package Thermal Metrics* application report, [SPRA953](#).
- (2) The junction-to-ambient thermal resistance under natural convection is obtained in a simulation on a JEDEC-standard, high-K board, as specified in JESD51-7, in an environment described in JESD51-2a.
- (3) The junction-to-case (top) thermal resistance is obtained by simulating a cold plate test on the package top. No specific JEDEC-standard test exists, but a close description can be found in the ANSI SEMI standard G30-88.
- (4) The junction-to-board thermal resistance is obtained by simulating in an environment with a ring cold plate fixture to control the PCB temperature, as described in JESD51-8.
- (5) The junction-to-top characterization parameter, ψ_{JT} , estimates the junction temperature of a device in a real system and is extracted from the simulation data for obtaining θ_{JA} , using a procedure described in JESD51-2a (sections 6 and 7).
- (6) The junction-to-board characterization parameter, ψ_{JB} , estimates the junction temperature of a device in a real system and is extracted from the simulation data for obtaining θ_{JA} , using a procedure described in JESD51-2a (sections 6 and 7).
- (7) The junction-to-case (bottom) thermal resistance is obtained by simulating a cold plate test on the exposed (power) pad. No specific JEDEC standard test exists, but a close description can be found in the ANSI SEMI standard G30-88.

RECOMMENDED OPERATING CONDITIONS

over operating free-air temperature range (unless otherwise noted)

PARAMETER		MIN	NOM	MAX	UNIT
V_{IN}	Input voltage, IN	4.5		5.5	V
	Input voltage, logic-level inputs, (CTL1, CTL2, CTL3, EN (TPS2540/40A/41), DSC (TPS2541), ILIM_SEL)	0		5.5	
	Input voltage, data line inputs, (DP_IN, DM_IN, DP_OUT, DM_OUT)			5.5	
	Continuous current, data line inputs, (SDP or CDP mode, DP_IN to DP_OUT or DM_IN to DM_OUT)			±30	mA
	Continuous current, data line inputs, (BC1.2 DCP mode, DP_IN to DM_IN)			±10	
I_{OUT}	Continuous output current, OUT	0		2.5	A
R_{ILIMx}	Current-limit set resistors, (ILIM0 to GND, ILIM1 to GND)	16.9		750	kΩ
T_J	Operating virtual junction temperature	-40		125	°C

ELECTRICAL CHARACTERISTICS

Conditions are $-40 \leq T_J \leq 125^\circ\text{C}$ unless otherwise noted. V_{EN} (if TPS2540 or TPS2540A) = V_{DSC} (if TPS2541) = $V_{IN} = 5\text{ V}$, $R_{FAULT} = 10\text{ k}\Omega$, $R_{ILIM0} = 210\text{ k}\Omega$, $R_{ILIM1} = 20\text{ k}\Omega$, $I_{LIM_SEL} = 0\text{ V}$, $CTL1 = CTL2 = \text{GND}$, $CTL3 = V_{IN}$ (TPS2540/40A) or $CTL3 = \text{GND}$ (TPS2541), unless otherwise noted. Positive currents are into pins. Typical values are at 25°C . All voltages are with respect to GND unless otherwise noted.

PARAMETER		TEST CONDITIONS ⁽¹⁾	MIN	TYP	MAX	UNIT	
Power Switch							
$R_{DS(on)}$	Static drain-source on-state resistance ⁽¹⁾	$I_{OUT} = 2\text{ A}$, $V_{ILIM_SEL} = \text{Logic HI}$		73	120	m Ω	
		$I_{OUT} = 100\text{ mA}$, $V_{ILIM_SEL} = \text{Logic LO}$		73	120		
		$-40^\circ\text{C} \leq T_A = T_J \leq 85^\circ\text{C}$, $I_{OUT} = 2\text{ A}$, $V_{ILIM_SEL} = \text{Logic HI}$		73	105		
		$T_A = T_J = 25^\circ\text{C}$, $I_{OUT} = 2\text{ A}$, $V_{ILIM_SEL} = \text{Logic HI}$		73	84		
t_r	Rise time, output	$C_L = 1\text{ }\mu\text{F}$, $R_L = 100\text{ }\Omega$, (see Figure 2)		1	1.5	ms	
t_f	Fall time, output	$C_L = 1\text{ }\mu\text{F}$, $R_L = 100\text{ }\Omega$, (see Figure 2)	0.2		0.5		
R_{DIS}	OUT discharge resistance		400	500	630	Ω	
I_{REV}	Reverse leakage current	$V_{OUT} = 5.5\text{ V}$, $V_{IN} = V_{EN} = 0\text{ V}$, $T_J = 25^\circ\text{C}$		0	1	μA	
Enable Input EN (TPS2540/40A), Output Discharge Input DSC (TPS2541)							
V_{EN}	Enable pin turn on/off threshold, falling		0.9	1.1	1.65	V	
V_{EN_HYS}	EN Hysteresis			200		mV	
I_{EN}	Input current	$V_{EN} = 0\text{ V}$ or 5.5 V	-0.5		0.5	μA	
V_{DSC}	DSC pin turn on/off threshold, falling		0.9	1.1	1.65	V	
V_{DSC_HYS}	DSC Hysteresis			200		mV	
I_{DSC}	Input current	$V_{DSC} = 0\text{ V}$ or 5.5 V	-0.5		0.5	μA	
t_{ON}	Turn-on time	$C_L = 1\text{ }\mu\text{F}$, $R_L = 100\text{ }\Omega$ (see Figure 28)		3.4	5	ms	
t_{OFF}	Turn-off time	$C_L = 1\text{ }\mu\text{F}$, $R_L = 100\text{ }\Omega$ (see Figure 28)		1.7	3		
Current Limit							
V_{ILIM_SEL}	I_{LIM_SEL} turn on/off threshold, falling		0.9	1.1	1.65	V	
V_{ILIM_HYS}	I_{LIM_SEL} Hysteresis			200		mV	
	I_{LIM_SEL} input current	$V_{ILIM_SEL} = 0\text{ V}$ or 5.5 V	-0.5		0.5	μA	
I_{SHORT}	Maximum DC output current from IN to OUT	$V_{ILIM_SEL} = \text{Logic LO}$	$R_{ILIM0} = 210\text{ k}\Omega$	185	230	265	mA
			$R_{ILIM0} = 100\text{ k}\Omega$	420	480	530	
		$V_{ILIM_SEL} = \text{Logic HI}$	$R_{ILIM1} = 20\text{ k}\Omega$	2150	2430	2650	
			$R_{ILIM1} = 16.9\text{ k}\Omega$	2550	2840	3100	
		$V_{ILIM_SEL} = \text{Logic LO}$	$R_{ILIM0} = 698\text{ k}\Omega$	25	55	85	
		$-40 \leq T_J \leq 85^\circ\text{C}$					
t_{IOS}	Response time to short-circuit	$V_{IN} = 5.0\text{ V}$ (see Figure 30)		1.5		μs	
Supply Current							
I_{CCL}	Supply current, switch disabled	$V_{EN} = V_{DSC} = 0\text{ V}$, OUT grounded, $-40 \leq T_J \leq 85^\circ\text{C}$		0.1	2	μA	
I_{CCH}	Supply current, operating	$V_{EN} = V_{DSC} = V_{IN}$,	$V_{ILIM_SEL} = \text{Logic HI}$	150	185		
				130	170		

(1) Pulse-testing techniques maintain junction temperature close to ambient temperature; thermal effects must be taken into account separately.

ELECTRICAL CHARACTERISTICS (接下页)

Conditions are $-40 \leq T_J \leq 125^\circ\text{C}$ unless otherwise noted. V_{EN} (if TPS2540 or TPS2540A) = V_{DSC} (if TPS2541) = $V_{IN} = 5\text{ V}$, $R_{FAULT} = 10\text{ k}\Omega$, $R_{ILIM0} = 210\text{ k}\Omega$, $R_{ILIM1} = 20\text{ k}\Omega$, $I_{LIM_SEL} = 0\text{ V}$, $CTL1 = CTL2 = \text{GND}$, $CTL3 = V_{IN}$ (TPS2540/40A) or $CTL3 = \text{GND}$ (TPS2541), unless otherwise noted. Positive currents are into pins. Typical values are at 25°C . All voltages are with respect to GND unless otherwise noted.

PARAMETER		TEST CONDITIONS ⁽¹⁾	MIN	TYP	MAX	UNIT
Undervoltage Lockout						
V_{UVLO}	Low-level input voltage, I_N	V_{IN} rising	3.9	4.1	4.3	V
	Hysteresis, I_N			100		mV
FAULT						
	Output low voltage, $\overline{\text{FAULT}}$	$I_{\overline{\text{FAULT}}} = 1\text{ mA}$			100	mV
	Off-state leakage	$V_{\overline{\text{FAULT}}} = 5.5\text{ V}$			1	μA
	$\overline{\text{FAULT}}$ deglitch	$\overline{\text{FAULT}}$ assertion or de-assertion due to over-current condition	5	8.5	12	ms
CTLx Inputs						
V_{CTL}	CTLx pins turn on/off threshold, falling		0.9	1.1	1.65	V
V_{CTL_HYS}	CTLx hysteresis			200		mV
	Input current	$V_{CTL} = 0\text{ V}$ or 5.5 V	-0.5		0.5	μA
Thermal Shutdown						
	Thermal shutdown threshold		155			$^\circ\text{C}$
	Thermal shutdown threshold in current-limit		135			
	Hysteresis			10		
High-Bandwidth Analog Switch						
R_{HS_ON}	On resistance DP/DM high-speed switch	$V_{DP/DM_OUT} = 0\text{ V}$, $I_{DP/DM_IN} = +30\text{ mA}$		2	4	Ω
		$V_{DP/DM_OUT} = 2.4\text{ V}$, $I_{DP/DM_IN} = -15\text{ mA}$		3	6	
ΔR_{HS_ON}	On resistance match between channels DP/DM switch	$V_{DP/DM_OUT} = 0\text{ V}$, $I_{DP/DM_IN} = +30\text{ mA}$		0.05	0.15	Ω
		$V_{DP/DM_OUT} = 2.4\text{ V}$, $I_{DP/DM_IN} = -15\text{ mA}$		0.05	0.15	
C_{IO_OFF}	DP/DM off state capacitance ⁽²⁾	$f = 1\text{ MHz}$, switch off		3	3.6	pF
C_{IO_ON}	DP/DM on state capacitance ⁽³⁾	$f = 1\text{ MHz}$, switch on		5.4	6.2	
O_{IRR}	Off state isolation	$R_L = 50\ \Omega$, $f = 250\text{ MHz}$, $-40 \leq T_J \leq 125^\circ\text{C}$		33		dB
X_{TALK}	On-state cross channel isolation	$R_L = 50\ \Omega$, $f = 250\text{ MHz}$, $-40 \leq T_J \leq 125^\circ\text{C}$		52		
I_{OFF}	Off state leakage	$V_{DM_IN} = V_{DP_IN} = 3.6\text{ V}$, $V_{DM_OUT} = V_{DP_OUT} = 0\text{ V}$		0.1	1.5	μA
BW	Bandwidth (-3 dB)	$R_L = 50\ \Omega$		2.6		GHz
t_{pd}	Propagation delay			0.25		ns
t_{SK}	Skew between opposite transitions of the same port ($t_{PHL} - t_{PLH}$)			0.1	0.2	

(2) The resistance in series with this parasitic capacitance to GND is typically $250\ \Omega$.

(3) The resistance in series with this parasitic capacitance to GND is typically $150\ \Omega$.

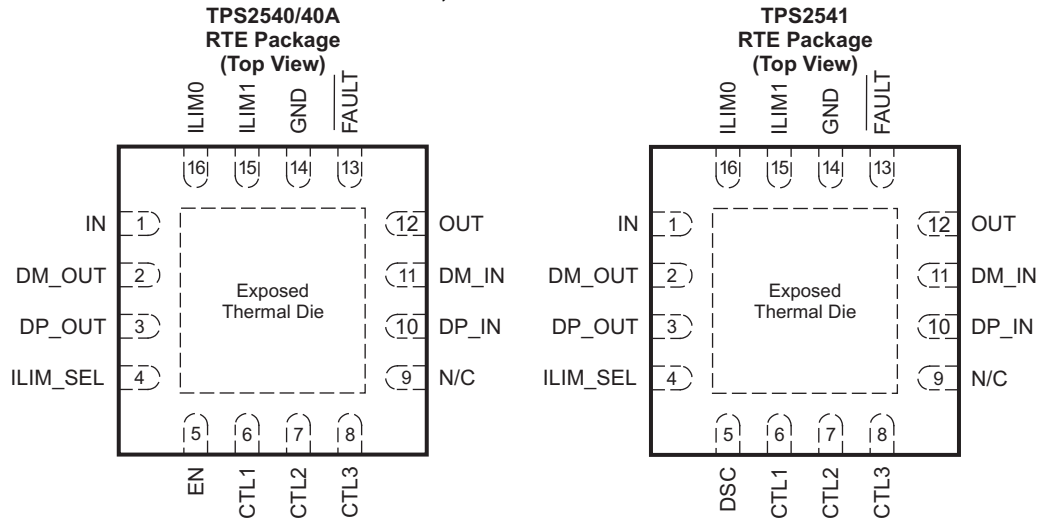
ELECTRICAL CHARACTERISTICS (接下页)

Conditions are $-40 \leq T_j \leq 125^\circ\text{C}$ unless otherwise noted. V_{EN} (if TPS2540 or TPS2540A) = V_{DSC} (if TPS2541) = $V_{IN} = 5\text{ V}$, $R_{FAULT} = 10\text{ k}\Omega$, $R_{ILIM0} = 210\text{ k}\Omega$, $R_{ILIM1} = 20\text{ k}\Omega$, $I_{LIM_SEL} = 0\text{ V}$, $CTL1 = CTL2 = \text{GND}$, $CTL3 = V_{IN}$ (TPS2540/40A) or $CTL3 = \text{GND}$ (TPS2541), unless otherwise noted. Positive currents are into pins. Typical values are at 25°C . All voltages are with respect to GND unless otherwise noted.

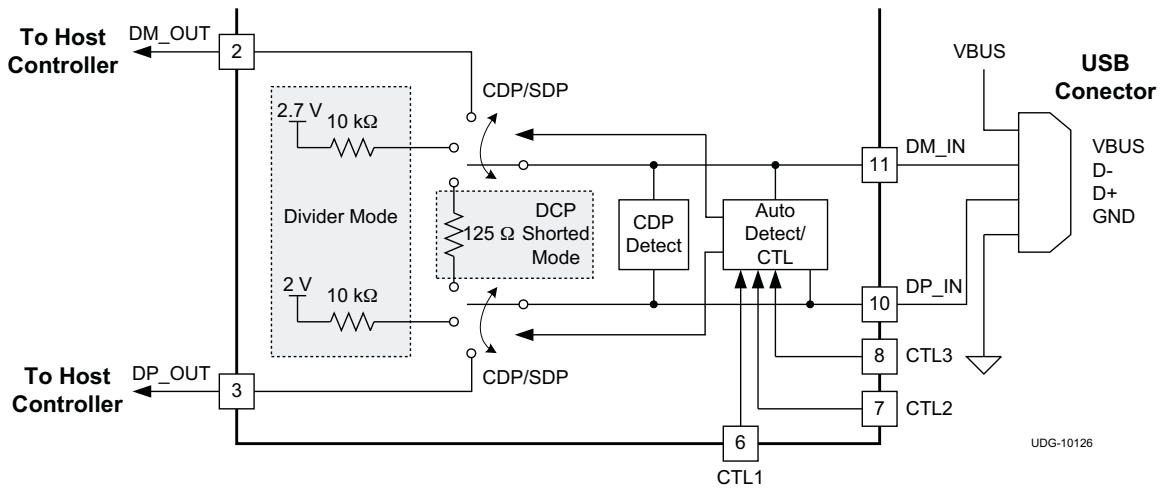
PARAMETER		TEST CONDITIONS ⁽¹⁾	MIN	TYP	MAX	UNIT	
DCP Shorted Mode Charger Interface							
R_{DPM_short}	DP_IN/DM_IN shorting resistance	CTLx configured for DCP BC1.2		125	200	Ω	
R_{DCHG_PW}	Discharge resistance DM_IN and DP_IN to GND	CTLx configured for DCP BC1.2	2	3.2	6	M Ω	
Divider Mode Charger Interface							
V_{DP_AM}	DP_IN output voltage	CTLx configured for divider mode	1.9	2	2.1	V	
V_{DM_AM}	DM_IN output voltage		2.57	2.7	2.84		
Z_{OUT_DP}	DP_IN output impedance		8	10	12.5	k Ω	
Z_{OUT_DM}	DM_IN output impedance		8	10	12.5		
CDP Interface							
V_{DM_SRC}	Voltage source on DM_IN for CDP detect	$V_{DP_IN} = 0.6\text{ V}$, CTLx configured for CDP	0.5	0.6	0.7	V	
V_{DAT_REF}	DP_IN rising voltage threshold to activate V_{DM_SRC}	$I_{DM_IN} = -250\text{ }\mu\text{A}$, CTLx configured for CDP	0.25		0.4		
	V_{DAT_REF} hysteresis			50		mV	
V_{LGC_SRC}	DP_IN rising voltage threshold to deactivate V_{DM_SRC}			0.8		1	V
	V_{LGC_SRC} hysteresis				100		mV
I_{DP_SINK}	DP_IN sink current	$0.4\text{ V} \leq V_{DP_IN} \leq 0.8\text{ V}$, CTLx configured for CDP operation	50		150	μA	
Timings							
t_{VDMSRC_EN}	DM_IN voltage source enable time, CDP mode	From $V_{DP_IN} = 0 \rightarrow 0.6\text{ V}$ to $V_{DM_IN} = V_{DM_SRC}$, CTLx configured for CDP	1		10	ms	
t_{VDMSRC_DIS}	DM_IN voltage source disable time, CDP mode	From $V_{DP_IN} = 0.6\text{ V} \rightarrow 0\text{ V}$ to $V_{DM_IN} = 0\text{ V}$, CTLx configured for CDP			10		
t_{VBUS_REAPP}	Time for OUT to be reapplied after V_{OUT} falls below 0.7 V during discharge	Any transition to and from CDP, or to and from SDP. Also during Auto-detect to shorted mode.	200		500		
Timing Requirements							
$t_{SLVD_CON_P}$	Session valid (IN high) to VDP_SRC in DCP mode	TPS2540/TPS2541			1	s	
t_{DCPLOW}	Low DP_IN period in DCP mode	When VBUS is high, (TPS2540, TPS2541)			0.9		
		When VBUS is high, (TPS2540A)			9		

DEVICE INFORMATION

TPS2540, TPS2540A and TPS2541

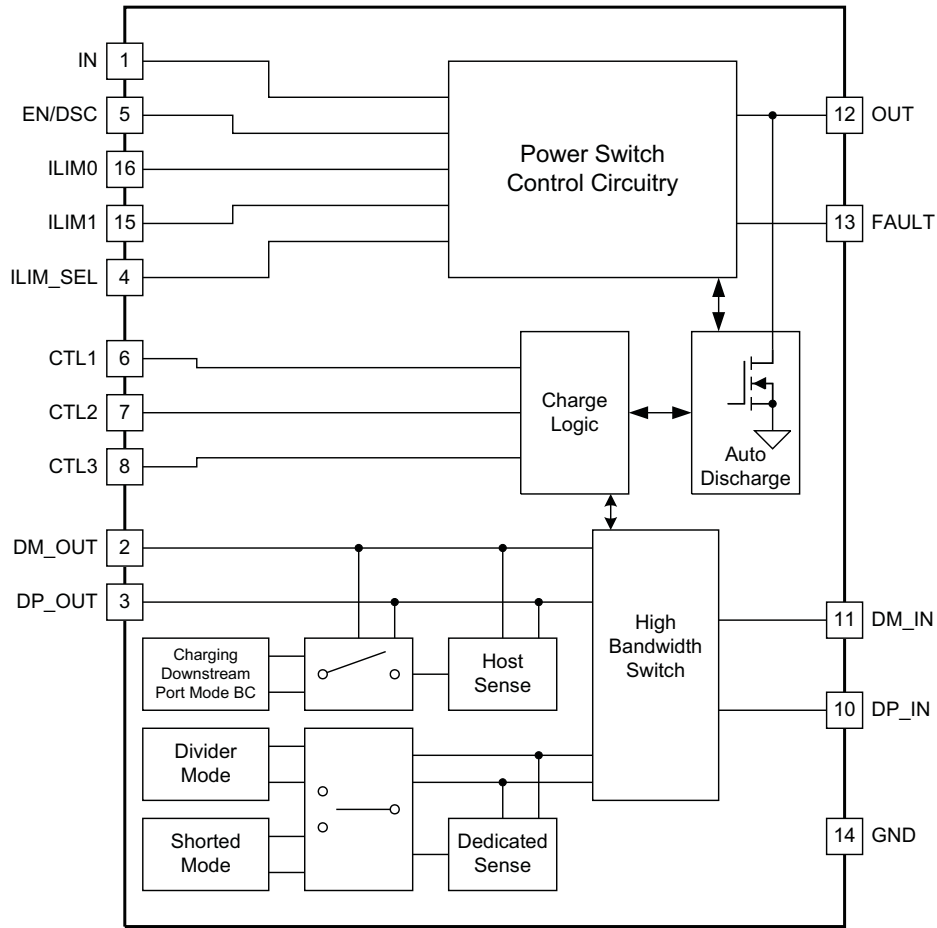


Detection Block Diagram



UDG-10126

TPS2540/40A/41 Top-Level Functional Block Diagram



UDG-10125

PIN DESCRIPTIONS
Pin Descriptions

NAME	PIN	I/O	DESCRIPTION
Power Switch			
IN	1	PWR	Input voltage; connect a 0.1- μ F or greater ceramic capacitor from IN to GND as close to the device as possible.
OUT	12	PWR	Power-switch output.
GND	14	PWR	Ground connection; should be connected externally to Power PAD.
POWERPAD	N/A		Internally connected to GND; used to heat-sink the part to the circuit board traces. Connect to GND plane.
Current-Limit Thresholds and Indication			
ILIM0	16	I	External resistor used to set current-limit threshold when ILIM_SEL is LO; recommended $16.9\text{ k}\Omega \leq R_{ILIM} \leq 750\text{ k}\Omega$;
ILIM1	15	I	External resistor used to set current-limit threshold when ILIM_SEL is HI; recommended $16.9\text{ k}\Omega \leq R_{ILIM} \leq 750\text{ k}\Omega$;
ILIM_SEL	4	I	Logic-level input signal used to dynamically change power switch current-limit threshold; logic LO selects ILIM0, logic HI selects ILIM1.
$\overline{\text{FAULT}}$	13	O	Active-low open-drain output, asserted during over-temperature or current limit conditions.
Input Logic Control Signals			
EN, DSC	5	I	Logic-level control input for turning the power switch and the signal switches on/off. TPS2540/40A: When EN is low, the device is disabled, the signal and power switches are OFF. TPS2541: When DSC is low, the device is disabled, the signal and power switches are OFF and the output (OUT) capacitor is discharged.
CTL1	6	I	Logic-level control inputs for controlling the charging mode and the signal switches. The TPS2540/40A and TPS2541 use different control line truth tables. With the TPS2540/40A, the "000" configuration is used to force a discharge of the output (OUT) capacitor.
CTL2	7	I	
CTL3	8	I	
D+/D- Data Line Signals			
DM_IN	11	I/O	D- data line to connector, input/output used for hand-shaking with portable equipment.
DP_IN	10	I/O	D+ data line to connector, input/output used for hand-shaking with portable equipment.
DM_OUT	2	I/O	D- data line to USB host controller.
DP_OUT	3	I/O	D+ data line to USB host controller.
N/C	9		No connect pin. Can be grounded or left floating.

TYPICAL CHARACTERISTICS

IN UVLO RISING
 VS
 TEMPERATURE

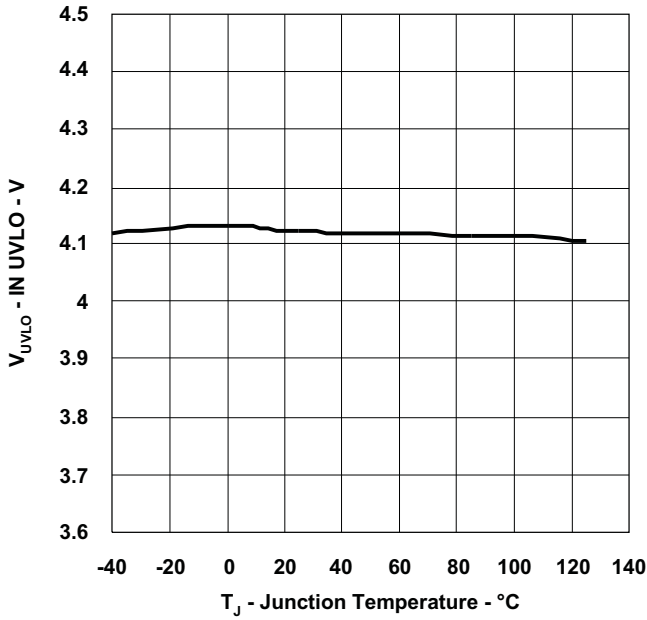


图 1.

SUPPLY CURRENT - DISABLED
 VS
 TEMPERATURE

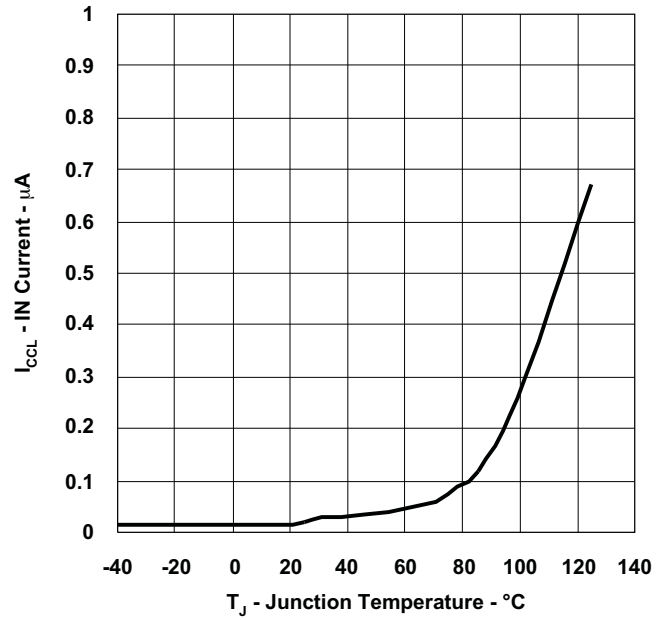


图 2.

SUPPLY CURRENT - SDP or DCP BC
 VS
 TEMPERATURE

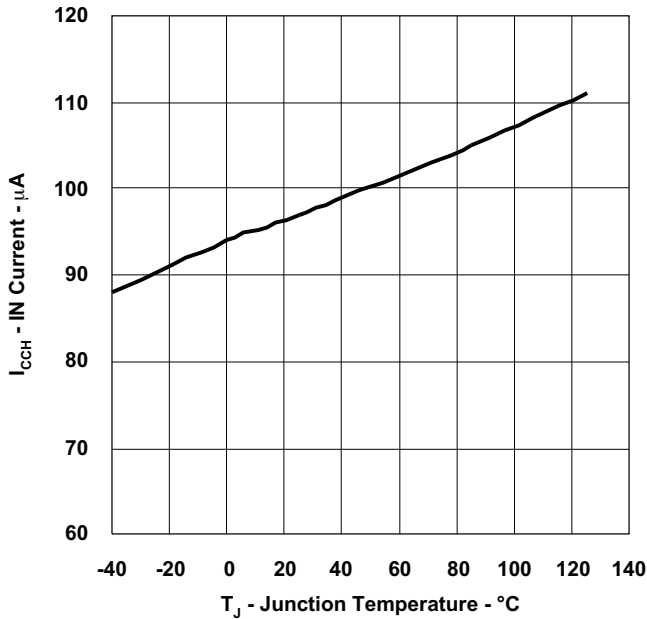


图 3.

SUPPLY CURRENT - AUTO-DETECT
 VS
 TEMPERATURE

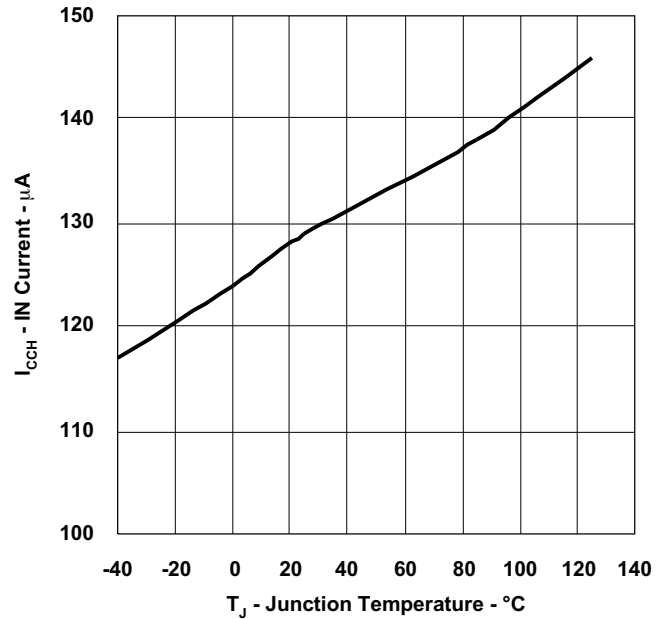


图 4.

TYPICAL CHARACTERISTICS (接下页)

SUPPLY CURRENT - CDP or DIVIDER MODE
VS
TEMPERATURE

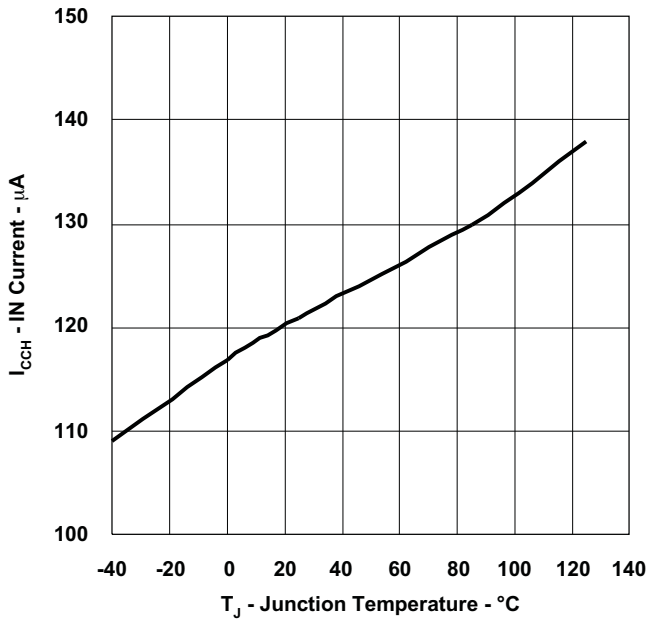


图 5.

CURRENT LIMIT
VS
CURRENT LIMIT RESISTANCE

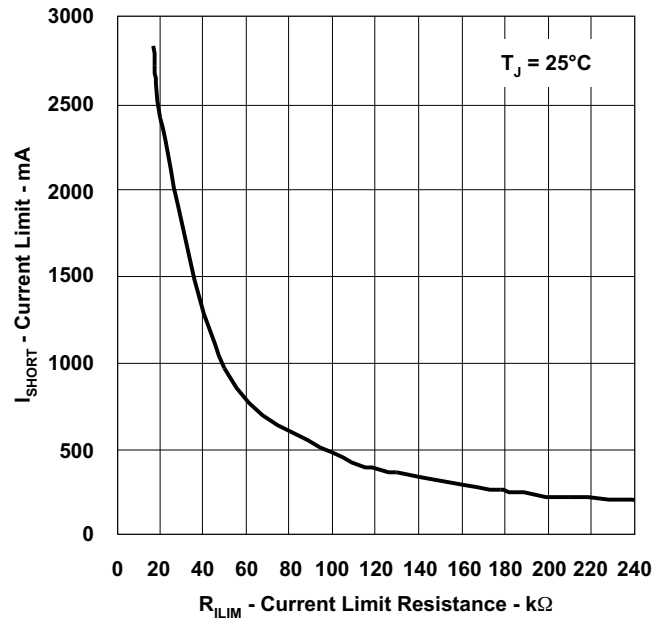


图 6.

CURRENT LIMIT
VS
TEMPERATURE

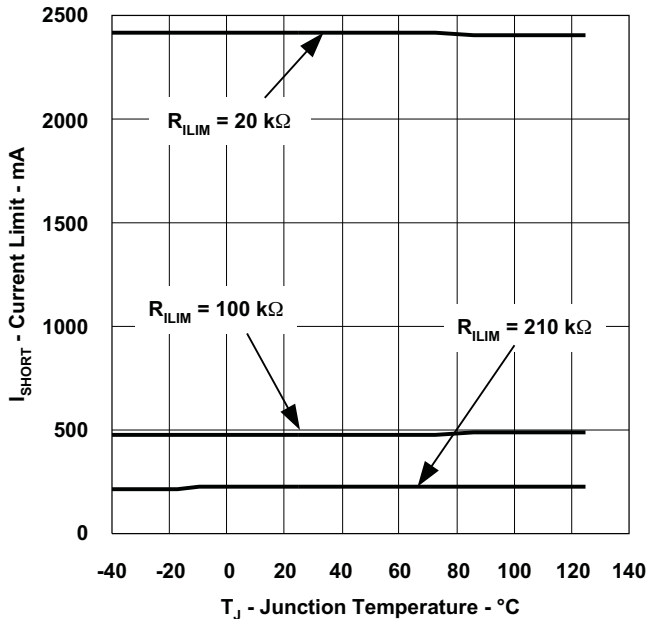


图 7.

POWER SWITCH ON-RESISTANCE
VS
TEMPERATURE

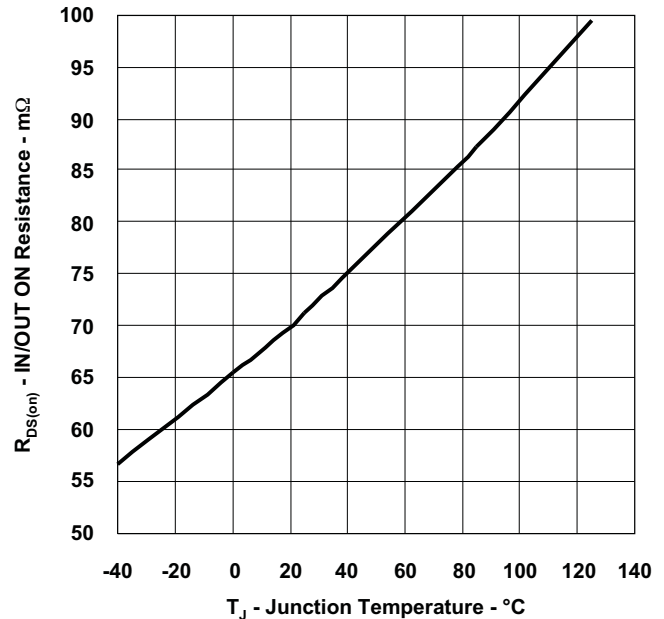


图 8.

TYPICAL CHARACTERISTICS (接下页)

TURN-ON TIME, TURN-OFF TIME
vs
TEMPERATURE

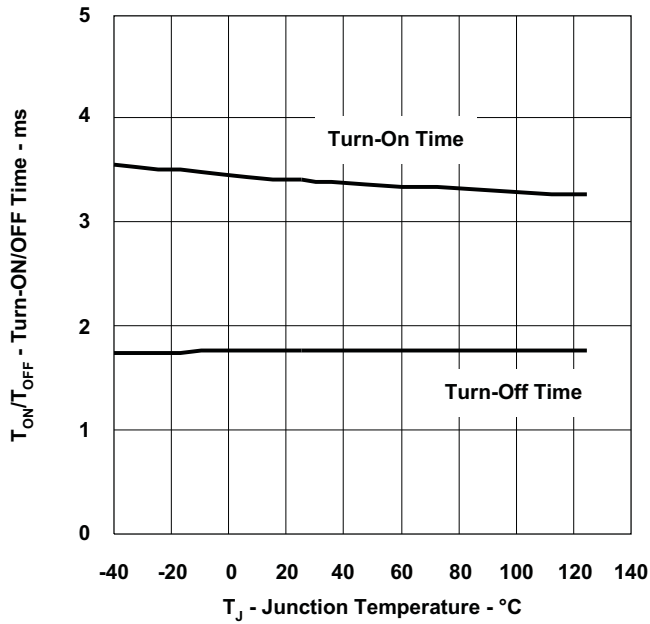


图 9.

DATA SWITCH ON-RESISTANCE
vs
TEMPERATURE

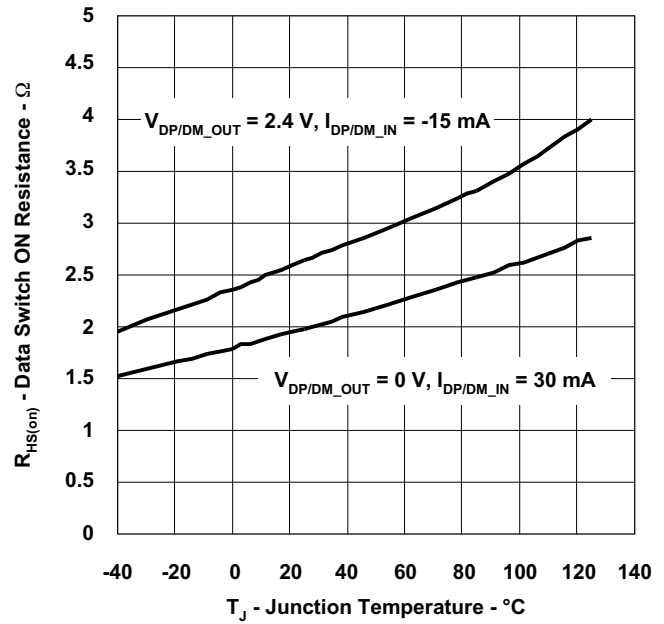


图 10.

FAULT OUTPUT VOLTAGE
vs
SINK CURRENT

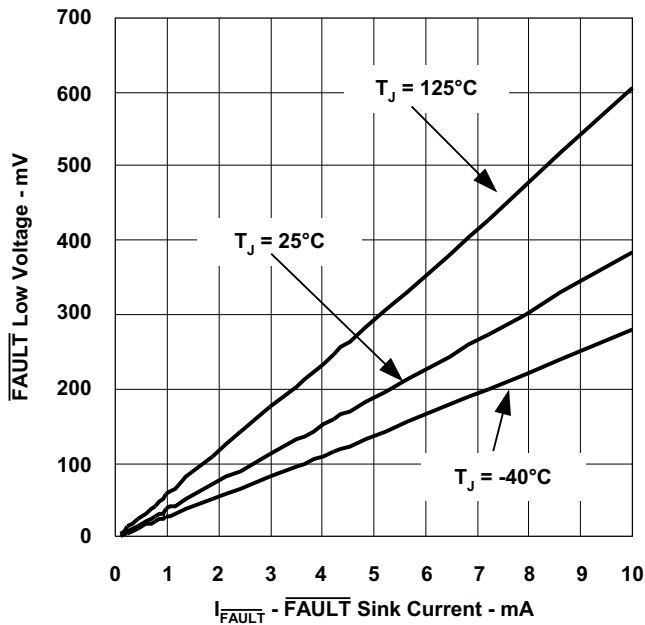


图 11.

EN THRESHOLD FALLING
vs
TEMPERATURE

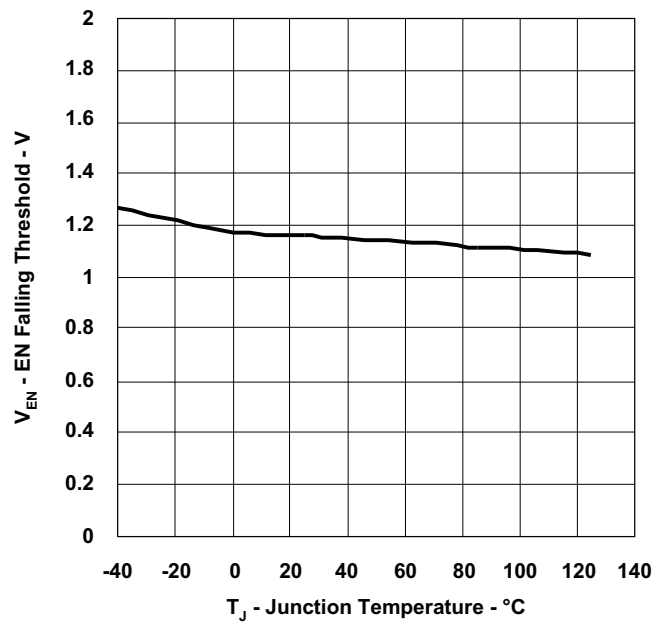


图 12.

TYPICAL CHARACTERISTICS (接下页)

CTL1-3 THRESHOLD FALLING
VS
TEMPERATURE

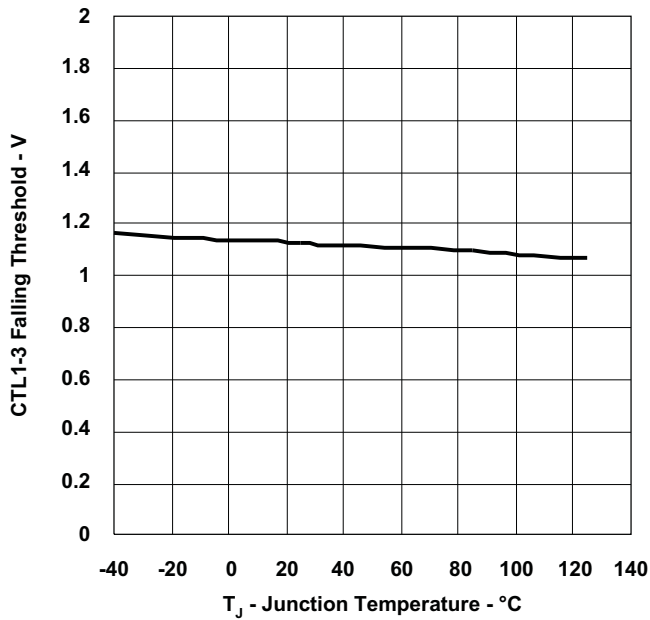


图 13.

DIVIDER MODE DP/DM VOLTAGE
VS
TEMPERATURE

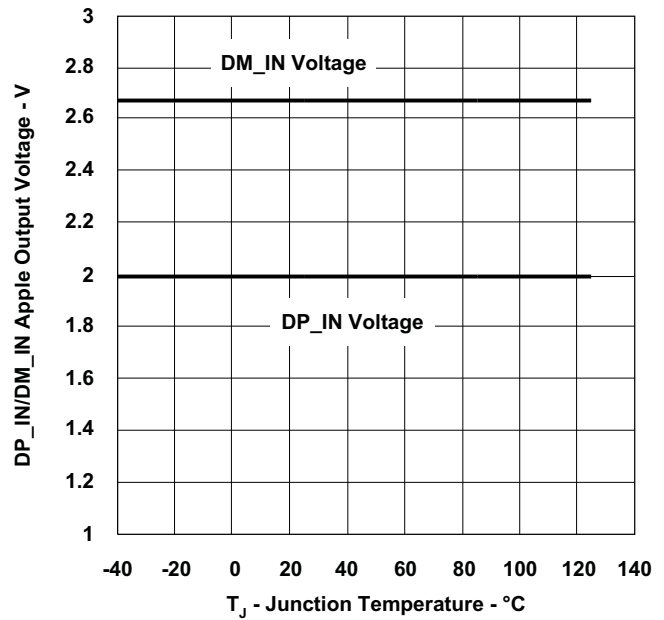


图 14.

DATA TRANSMISSION CHARACTERISTICS
VS
FREQUENCY

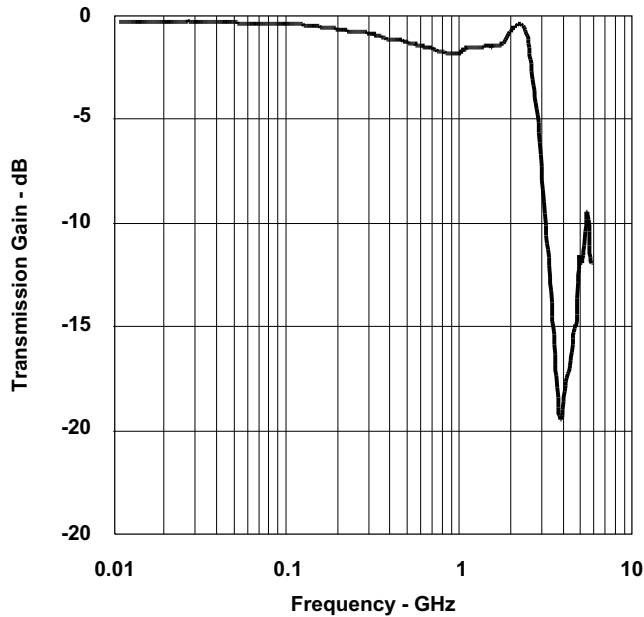


图 15.

OFF STATE DATA SWITCH ISOLATION
VS
FREQUENCY

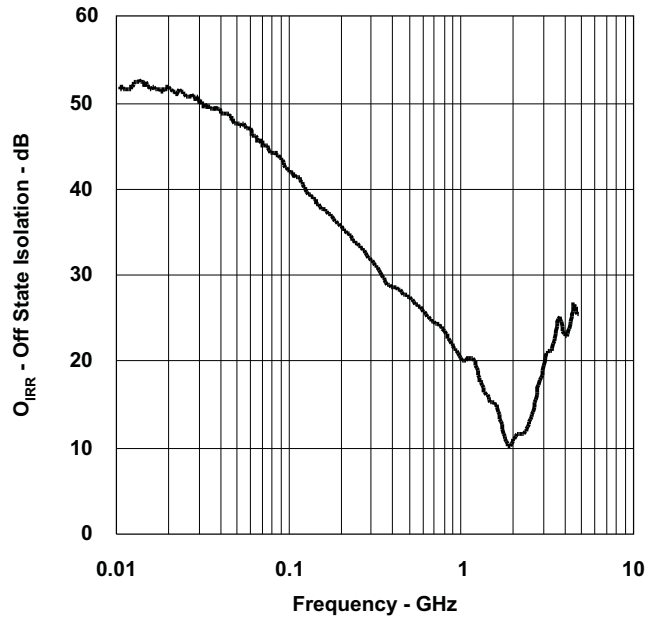


图 16.

TYPICAL CHARACTERISTICS (接下页)
ON STATE CROSS-CHANNEL ISOLATION
 vs
FREQUENCY

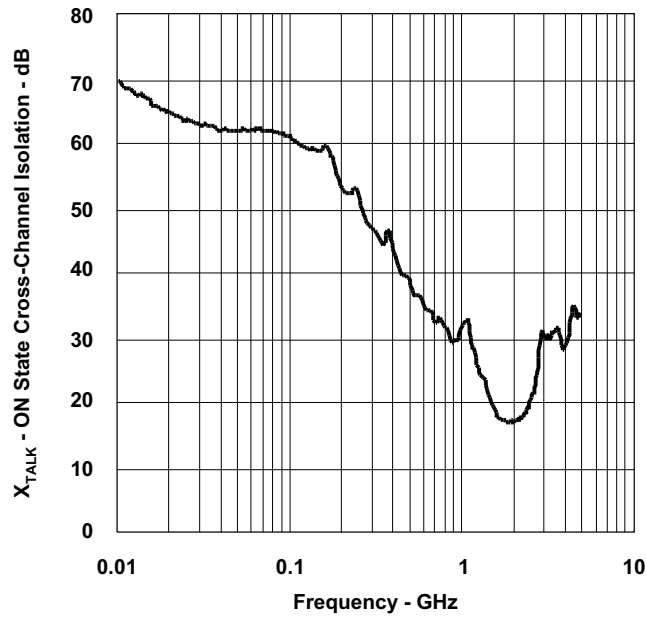


图 17.

EYE DIAGRAM USING USB COMPLIANCE TEST PATTERN
 (with no switch)

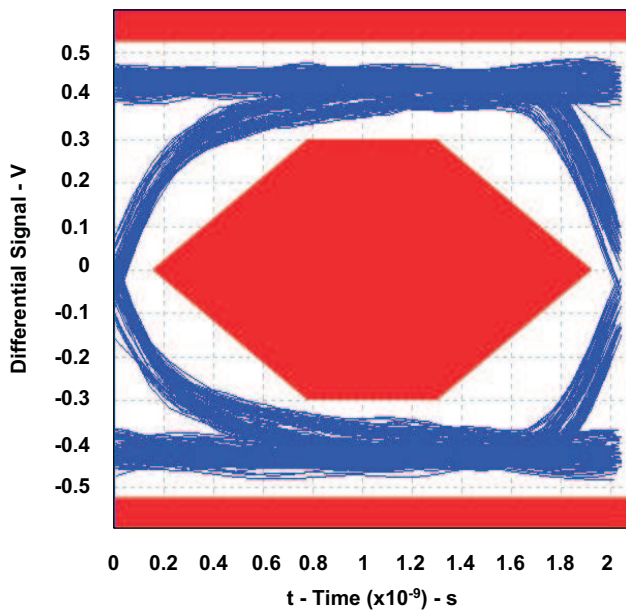


图 18.

EYE DIAGRAM USING USB COMPLIANCE TEST PATTERN
 (with data switch)

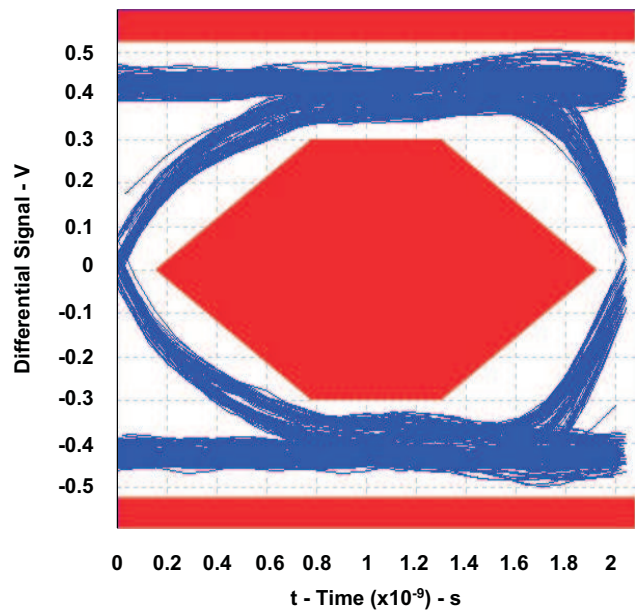
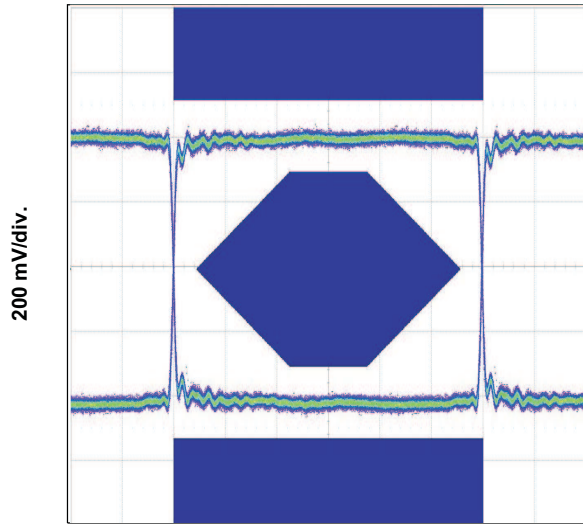


图 19.

TYPICAL CHARACTERISTICS (接下页)

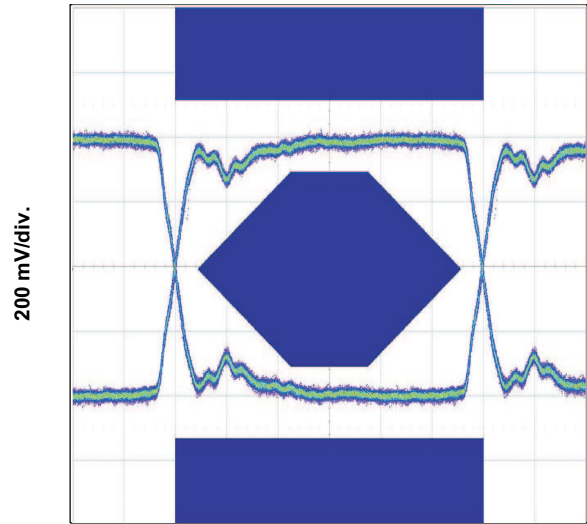
EYE DIAGRAM OF NEARLY IDEAL PULSE
(with no switch)



348ps/div.

图 20.

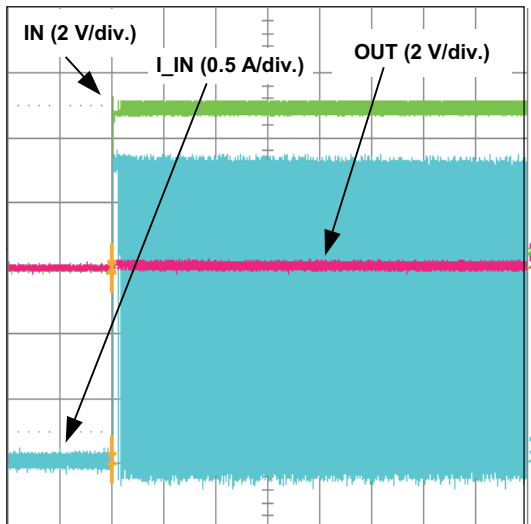
EYE DIAGRAM OF NEARLY IDEAL PULSE
(with data switch)



348ps/div.

图 21.

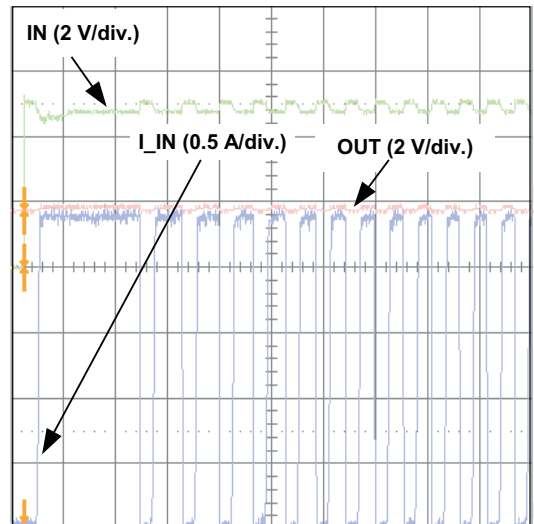
TURN ON INTO A SHORT CIRCUIT



0.2 s/div

图 22.

TURN ON INTO A SHORT CIRCUIT

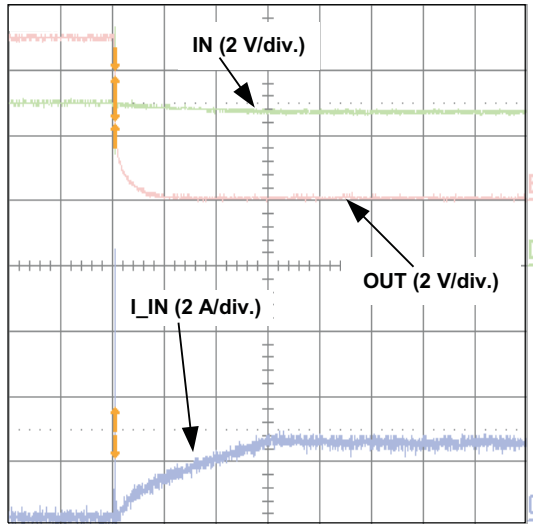


10 ms/div

图 23.

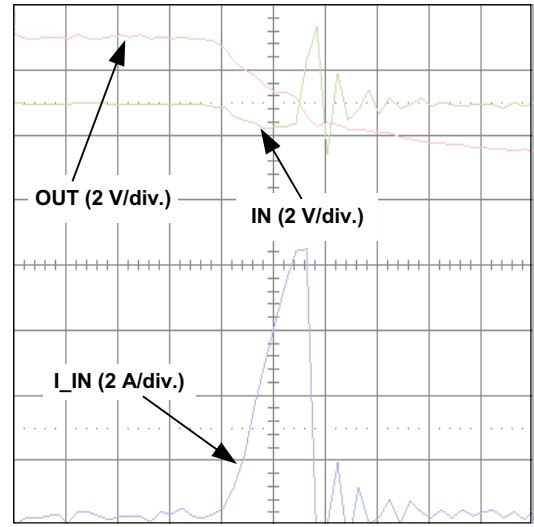
TYPICAL CHARACTERISTICS (接下页)

**RESPONSE TO A SHORT-CIRCUIT
 (from no-load condition)**



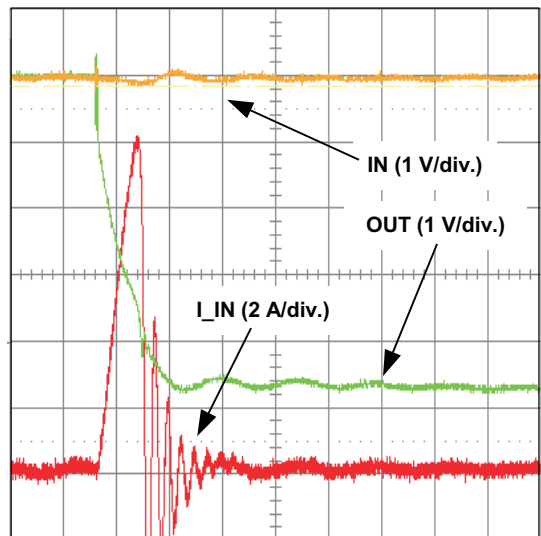
100 μ s/div
 图 24.

**RESPONSE TO A SHORT-CIRCUIT
 (from no-load condition)**



1 μ s/div
 图 25.

**图 26. RESPONSE TO A SHORT-CIRCUIT FROM NO LOAD CONDITION
 (with TPS51117EVM source)**



2 μ s/div
 图 27.

TYPICAL CHARACTERISTICS (接下页)

Parameter Measurement Information

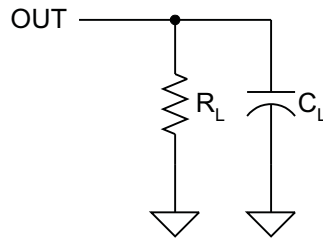


图 28. Test Circuit

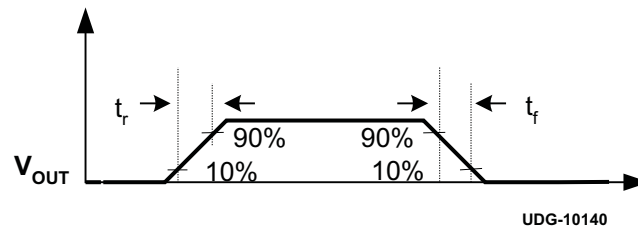


图 29. Voltage Waveform

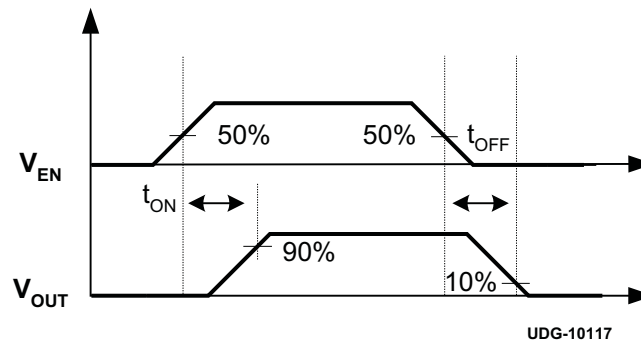


图 30. Voltage Waveforms

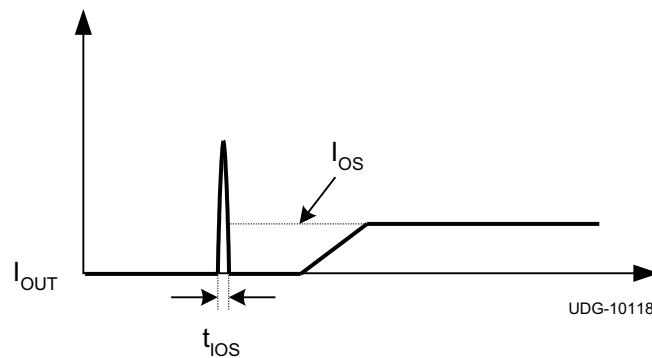


图 31. Response Time to Short-Circuit Waveform

TYPICAL CHARACTERISTICS (接下页)

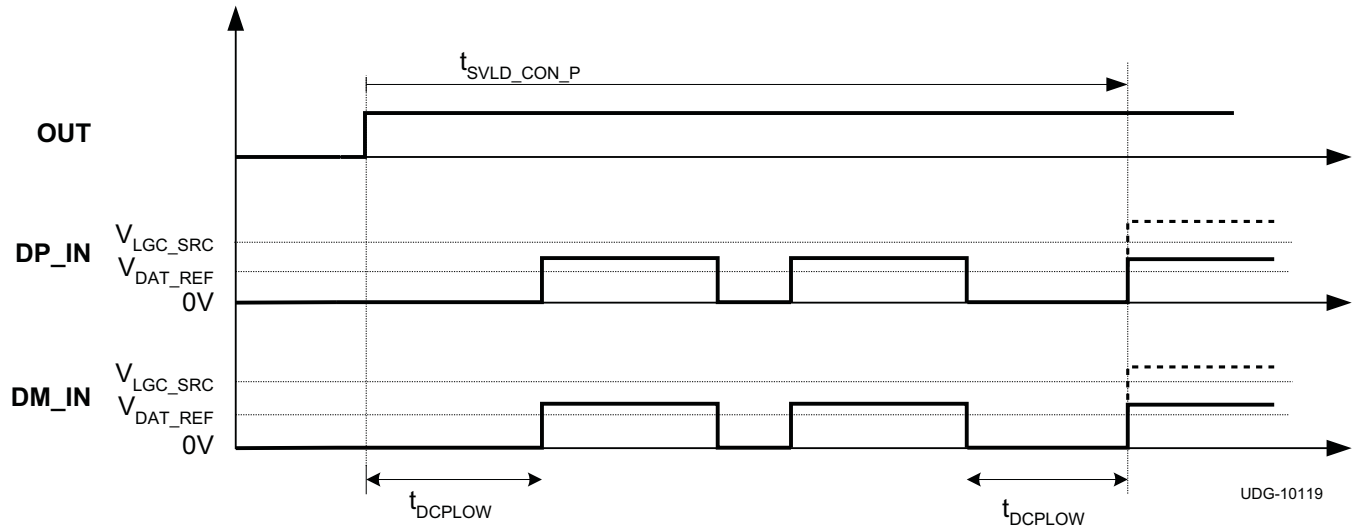


图 32. DCP BC1.2 Operation

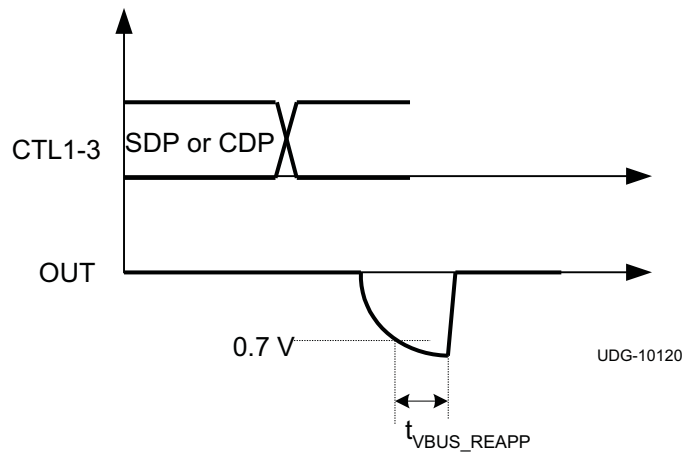


图 33. OUT Discharge During CTLx Lines Change

TYPICAL CHARACTERISTICS (接下页)

Divider Only Mode

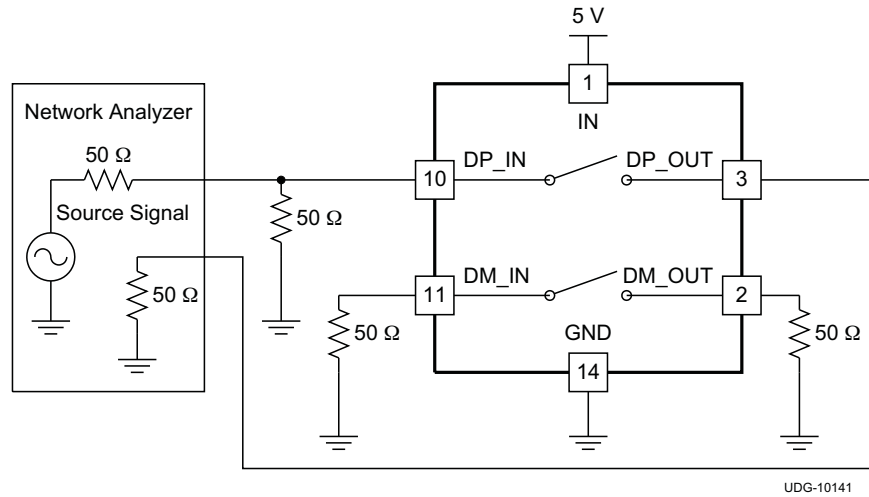


图 34.

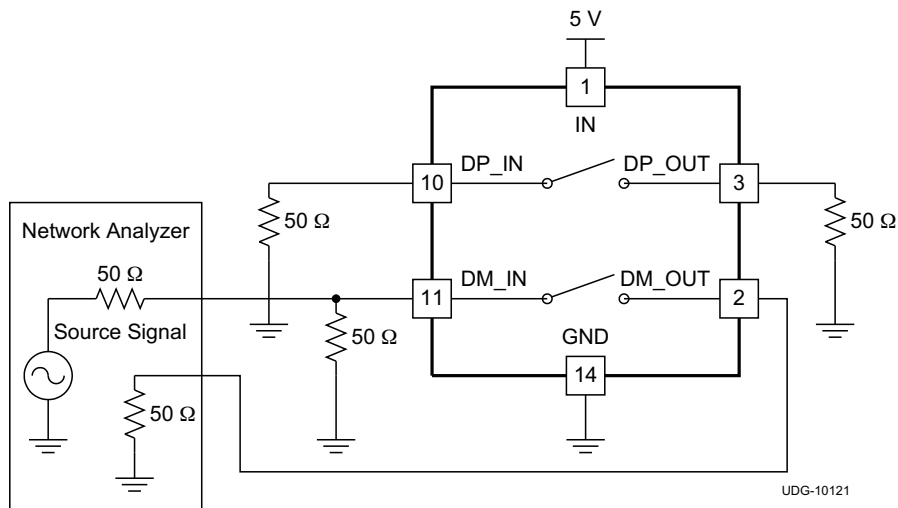


图 35. OFF State Isolation (O_{IRR})

Network Analyzer Setup

- Source signal = 600-mV peak-to-peak at 50-Ω load
- DC bias = 300 mV

TYPICAL CHARACTERISTICS (接下页)

SDP Mode

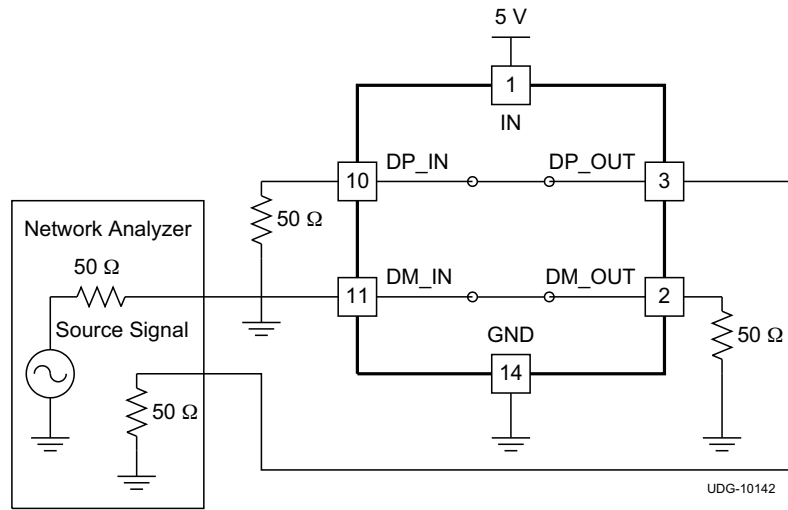


图 36.

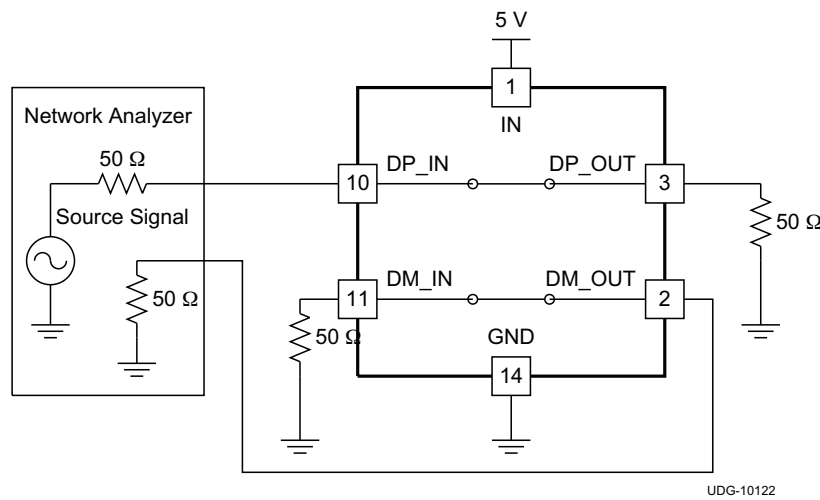


图 37. ON State Cross Channel Isolation (X_{TALK})

Network Analyzer Setup

- Source signal = 600-mV peak-to-peak at 50-Ω load
- DC bias = 300 mV

TYPICAL CHARACTERISTICS (接下页)

SDP Mode

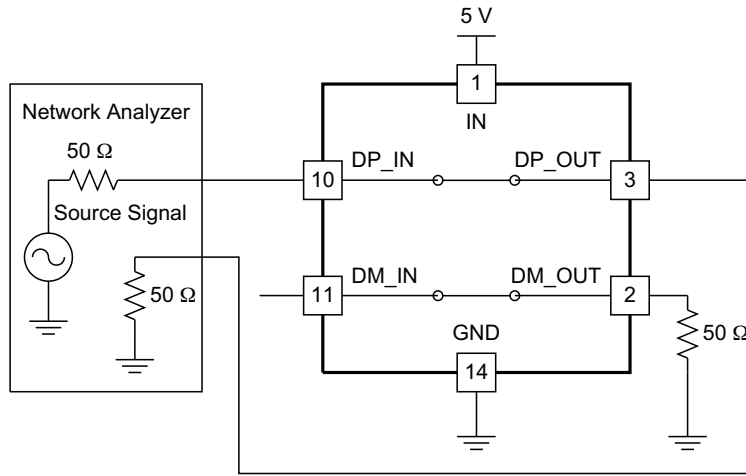


图 38.

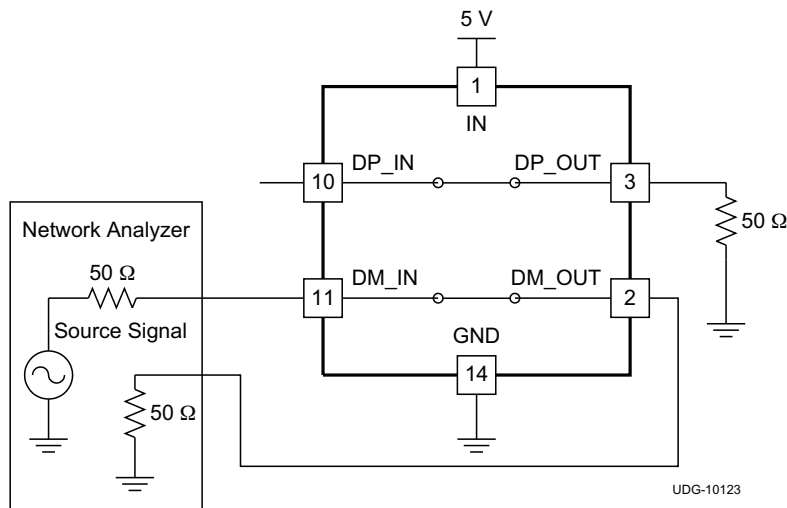


图 39. Bandwidth (BW)

Network Analyzer Setup

- Source signal = 600-mV peak-to-peak at 50-Ω load
- DC bias = 300 mV

TYPICAL CHARACTERISTICS (接下页)

SDP Mode

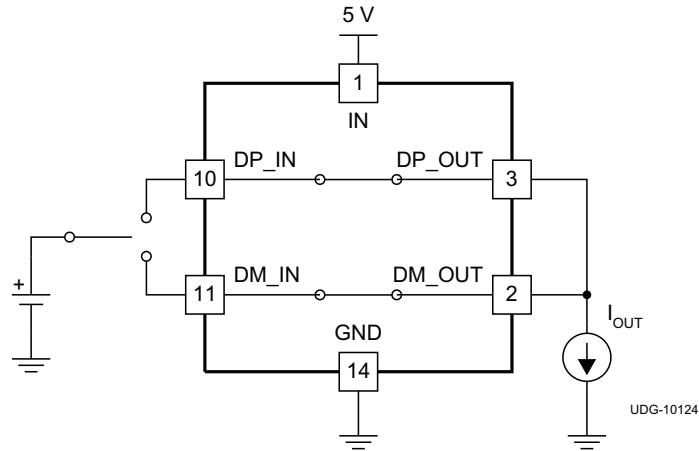


图 40. On Resistance DP/DM High-Speed Switch (R_{HS_ON})

$$R_{HS_ON} = \frac{V_{DP_IN} - V_{DP_OUT}}{I_{OUT}} \quad (1)$$

$$R_{HS_ON} = \frac{V_{DM_IN} - V_{DM_OUT}}{I_{OUT}} \quad (2)$$

GENERAL INFORMATION

Overview

The following overview references various industry standards. It is always recommended to consult the most up-to-date standard to ensure the most recent and accurate information.

Rechargeable portable equipment requires an external power source to charge its batteries. USB ports are a convenient location for charging because of an available 5-V power source. Universally accepted standards are required to make sure host and client-side devices operate together in a system to ensure power management requirements are met. Traditionally, USB host ports following the USB 2.0 specification must provide at least 500 mA to downstream client-side devices. Because multiple USB devices can be attached to a single USB port through a bus-powered hub, it is the responsibility of the client-side device to negotiate its power allotment from the host to ensure the total current draw does not exceed 500 mA. In general, each USB device is granted 100 mA and may request more current in 100 mA unit steps up to 500 mA. The host may grant or deny based on the available current.

Additionally, the success of USB has made the mini-USB connector a popular choice for wall adapter cables. This allows a portable device to charge from both a wall adapter and USB port with only one connector.

One common difficulty has resulted from this. As USB charging has gained popularity, the 500 mA minimum defined by USB 2.0 has become insufficient for many handset and personal media players which need a higher charging rate. On the other hand, wall adapters can provide much more current than 500 mA. Several new standards have been introduced defining protocol handshaking methods that allow host and client devices to acknowledge and draw additional current beyond the 500 mA minimum defined by USB 2.0 while still using a single micro-USB input connector.

The TPS2540, TPS2540A and TPS2541 support three of the most common protocols:

- USB 2.0 Battery Charging Specification BC1.2
- Chinese Telecommunications Industry Standard YD/T 1591-2009
- Divider Mode

All three methods have similarities and differences, but the biggest commonality is that all three define three types of *charging ports* that provide charging current to client-side devices. These charging ports are defined as:

- Standard Downstream Port (USB 2.0) (SDP)
- Charging Downstream Port (CDP)
- Dedicated Charging Port (DCP)

BC1.2 defines a Charging Port as a downstream facing USB port that provides power for charging portable equipment.

The table below shows the differences between these ports according to BC1.2 .

表 1. Operating Modes

PORT TYPE	SUPPORTS USB 2.0 COMMUNICATION	MAXIMUM ALLOWABLE CURRENT DRAW BY PORTABLE EQUIPMENT (A)
SDP (USB 2.0)	Yes	0.5
CDP	Yes	1.5
DCP	No	1.5

BC1.2 defines the protocol necessary to allow portable equipment to determine what type of port it is connected to so that it can allot its maximum allowable current draw. The hand-shaking process has two steps. During step one, the primary detection, the portable equipment outputs a nominal 0.6-V output on its D+ line and reads the voltage input on its D- line. The portable device concludes it is connected to an SDP if the voltage is less than the nominal data detect voltage of 0.3 V. The portable device concludes that it is connected to a Charging Port if the D- voltage is greater than the nominal data detect voltage of 0.3 V and less than 0.8 V. The second step, the secondary detection, is necessary for portable equipment to determine between a CDP and a DCP. The portable device outputs a nominal 0.6 V output on its D- line and reads the voltage input on its D+ line. The portable device concludes it is connected to a CDP if the data line being read remains less than the nominal data detect voltage of 0.3 V. The portable device concludes it is connected to a DCP if the data line being read is greater than the nominal data detect voltage of 0.3V and less than 0.8 V.

Standard Downstream Port (SDP) USB 2.0

An SDP is a traditional USB port that follows USB 2.0 and supplies a minimum of 500 mA per port. USB 2.0 communications is supported, and the host controller must be active to allow charging.

Charging Downstream Port (CDP)

A CDP is a USB port that follows USB 2.0 BC1.2 and supplies a minimum of 1.5 A per port. It provides power and meets USB 2.0 requirements for device enumeration. USB 2.0 communications is supported, and the host controller must be active to allow charging. What separates a CDP from an SDP is the host-charge handshaking logic that identifies this port as a CDP. A CDP is identifiable by a compliant BC1.2 client device and allows for additional current draw by the client device.

The CDP hand-shaking process is two steps. During step one the portable equipment outputs a nominal 0.6 V output on its D+ line and reads the voltage input on its D- line. The portable device concludes it is connected to an SDP if the voltage is less than the nominal data detect voltage of 0.3 V. The portable device concludes that it is connected to a Charging Port if the D- voltage is greater than the nominal data detect voltage of 0.3V and less than 0.8 V.

The second step is necessary for portable equipment to determine between a CDP and a DCP. The portable device outputs a nominal 0.6 V output on its D- line and reads the voltage input on its D+ line. The portable device concludes it is connected to a CDP if the data line being read remains less than the nominal data detect voltage of 0.3 V. The portable device concludes it is connected to a DCP if the data line being read is greater than the nominal data detect voltage of 0.3V and less than 0.8 V.

Dedicated Charging Port (DCP)

A DCP is a special type of wall-adaptor used in charging applications that uses a micro-B connector to connect to portable devices. A DCP only provides power and cannot enumerate upstream facing portable equipment. It does not support USB 2.0 communications, but it does provide specific impedances on the data lines reserved for USB 2.0 so that it is identifiable as a dedicated charger.

The impedances presented on D+ and D- are different depending on the specific standard the dedicated charger is designed to. BC1.2 and the Chinese Telecommunications Industry Standard YD/T 1591-2009 define that the D+ and D- data lines should be shorted together with a maximum series impedance of 200 Ω .

On the other hand, with the divider mode, 2 V and 2.7 V are presented on D+ and on D-.

The TPS2540/40A/41 integrates an *auto-detect* feature that supports both DCP schemes. It starts in Divider Mode. If a BC1.2 -compliant device is attached, the TPS2540/40A/41 responds by discharging OUT, turning back ON the power switch and operating in BC1.2 DCP mode. It then stays in that mode until the device is unattached, in which case it goes back to Divider Mode.

High-Bandwidth Data Line Switch

The TPS2540/40A/41 passes the D+ and D- data lines through the device to enable monitoring and handshaking while supporting charging operation. A wide bandwidth signal switch is used, allowing data to pass through the device without corrupting signal integrity. The data line switches are turned on in any of CDP or SDP operating modes. The EN (or DSC if TPS2541) input also needs to be at logic High for the data line switches to be enabled.

注

1. While in CDP mode, the data switches are ON even while CDP handshaking is occurring.
2. The data line switches are OFF if EN (or DSC) is low, or if in DCP mode (BC1.2, Divider mode or Auto-detect). They are not automatically turned off if the power switch (IN to OUT) is doing current limiting. With TPS2540/40A, the data line switches are also off when in "000" mode.
3. The data switches are for USB 2.0 differential pair only. In the case of a USB 3.0 host, the super speed differential pairs must be routed directly to the USB connector without passing through the TPS2540/40A/41.

Logic Control Modes

Both the TPS2540/40A and TPS2541 support the listed standards above for the SDP, CDP and DCP modes using the CTL1, CTL2, and CTL3 logic I/O control pins, although their truth tables are different as shown below. The different CTLx settings correspond to the different types of charge modes. Also, using the *Auto-Detect* Mode, the Divider Mode or BC1.2 / YD/T 1591-2009 can be automatically selected without external user interaction.

注

With the TPS2540/40A, if the “000” mode is selected, the power switch will be turned off and an output discharge resistor will be connected, while the data line switches will be turned off.

表 2. TPS2540/40A Control Truth Table

CTL1	CTL2	CTL3	MODE
0	0	0	OUT discharge, power switch OFF.
0	X	1	Dedicated charging port, auto-detect.
X	1	0	Standard downstream port, USB 2.0 Mode.
1	0	0	Dedicated charging port, BC1.2 only.
1	0	1	Dedicated charging port, Divider Mode only.
1	1	1	Charging downstream port, BC1.2.

表 3. TPS2541 Control Truth Table

CTL1	CTL2	CTL3	MODE
0	0	X	Dedicated charging port, auto-detect.
0	1	X	Dedicated charging port, BC1.2.
1	0	X	Dedicated charging port, Divider Mode only.
1	1	0	Standard downstream port, USB 2.0 Mode.
1	1	1	Charging downstream port, BC1.2.

Output Discharge

To allow a charging port to renegotiate current with a portable device, TPS2540/40A/41 uses the VBUS discharge function. It proceeds by turning off the power switch while discharging OUT, then turning back ON the power switch to reassert the OUT voltage.

This discharge function is automatically applied when a change at the CTLx lines results in any of the following mode transitions.

- Any transition to and from CDP
- Any transition to and from SDP

In addition to this, a direct discharge control, DSC, is available with the TPS2541, while with the TPS2540/40A, a discharge can be achieved using the mode “000”.

Overcurrent Protection

When an over-current condition is detected, the device maintains a constant output current and reduces the output voltage accordingly. Two possible overload conditions can occur. In the first condition, the output has been shorted before the device is enabled or before V_{IN} has been applied.

The TPS2540/40A/41 senses the short and immediately switches into a constant-current output. In the second condition, a short or an overload occurs while the device is enabled. At the instant the overload occurs, high currents may flow for nominally one to two microseconds before the current-limit circuit can react. The device operates in constant-current mode after the current-limit circuit has responded. Complete shutdown occurs only if the fault is present long enough to activate thermal limiting. The device will remain off until the junction temperature cools approximately 10°C and will then re-start. The device will continue to cycle on/off until the over-current condition is removed.

Current-Limit Thresholds

The TPS2540/40A/41 has two independent current-limit thresholds that are each programmed externally with a resistor. The following equation programs the typical current-limit threshold:

$$I_{\text{SHORT}} = \frac{48000}{R_{\text{ILIMx}}} \quad (3)$$

where I_{SHORT} is in mA and R_{ILIMx} is in k Ω . R_{ILIMx} corresponds to RILIM0 when ILIM_SEL is logic LO and to RILIM1 when ILIM_SEL is logic HI. The ILIM_SEL pin allows the system to digitally select between two current-limit thresholds, which is useful in end equipment that may require a lower setting when powered from batteries vs. wall adapters.

FAULT Response

The $\overline{\text{FAULT}}$ open-drain output is asserted (active low) during an over-temperature or current limit condition. The output remains asserted until the fault condition is removed. The TPS2540/40A/41 is designed to eliminate false $\overline{\text{FAULT}}$ reporting by using an internal deglitch circuit for current limit conditions without the need for external circuitry. This ensures that $\overline{\text{FAULT}}$ is not accidentally asserted due to normal operation such as starting into a heavy capacitive load. Over-temperature conditions are not deglitched and assert the $\overline{\text{FAULT}}$ signal immediately.

Undervoltage Lockout (UVLO)

The undervoltage lockout (UVLO) circuit disables the power switch until the input voltage reaches the UVLO turn-on threshold. Built-in hysteresis prevents unwanted oscillations on the output due to input voltage drop from large current surges.

Thermal Sense

The TPS2540/40A/41 protects itself with two independent thermal sensing circuits that monitor the operating temperature of the power distribution switch and disables operation if the temperature exceeds recommended operating conditions. The device operates in constant-current mode during an over-current condition, which increases the voltage drop across power switch. The power dissipation in the package is proportional to the voltage drop across the power switch, so the junction temperature rises during an over-current condition. The first thermal sensor turns off the power switch when the die temperature exceeds 135°C and the part is in current limit. The second thermal sensor turns off the power switch when the die temperature exceeds 155°C regardless of whether the power switch is in current limit. Hysteresis is built into both thermal sensors, and the switch turns on after the device has cooled by approximately 10°C. The switch continues to cycle off and on until the fault is removed. The open-drain false reporting output $\overline{\text{FAULT}}$ is asserted (active low) during an over-temperature shutdown condition.

APPLICATION INFORMATION

Programming the Current Limit Threshold

There are two overcurrent thresholds, which are user programmable via R_{ILIM0} and R_{ILIM1} . The TPS2540/40A/41 uses an internal regulation loop to provide a regulated voltage on the ILIM0 and ILIM1 pins. The current-limit thresholds are proportional to the current sourced out of ILIM0 and ILIM1. The recommended 1% resistor range for R_{ILIM0} and R_{ILIM1} are $16.9\text{ k}\Omega \leq R_{ILIM} \leq 750\text{ k}\Omega$ to ensure stability of the internal regulation loop, although not exceeding $210\text{ k}\Omega$ results in a better accuracy. Many applications require that the minimum current limit is above a certain current level or that the maximum current limit is below a certain current level, so it is important to consider the tolerance of the overcurrent threshold when selecting a value for R_{ILIMx} . The following equations calculate the resulting overcurrent threshold for a given external resistor value (R_{ILIMx}). The traces routing the R_{ILIMx} resistors to the TPS2540/40A/41 should be as short as possible to reduce parasitic effects on the current-limit accuracy.

The equations and the graph below can be used to estimate the minimum and maximum variation of the current limit threshold for a predefined resistor value. This variation is an approximation only and does not take into account the resistor tolerance or the variation of ILIM. For exact variation of ILIM, refer to the current limit section of the electrical specification table.

$$I_{SHORT_min} = \frac{48000}{R_{ILIMx}^{1.037}} \quad (4)$$

$$I_{SHORT_max} = \frac{48000}{R_{ILIMx}^{0.962}} \quad (5)$$

Current Limit Threshold
vs
Current Limit Resistance

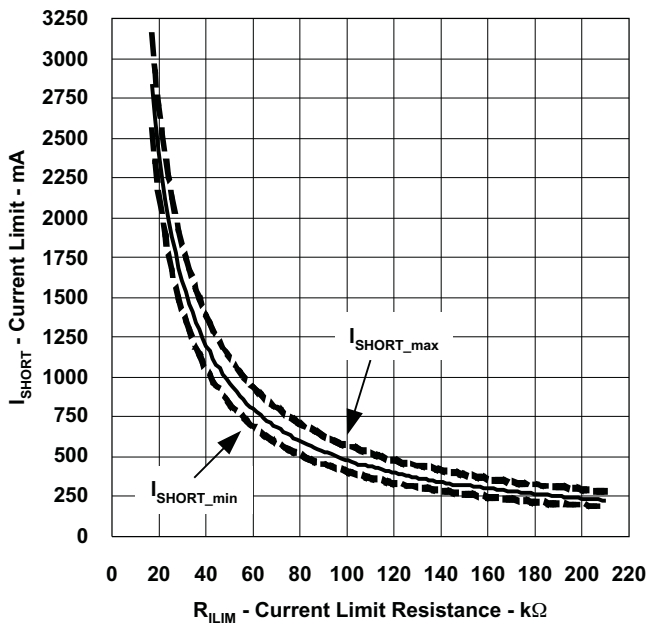


图 41.

Current Limit Threshold
vs
Current Limit Resistance

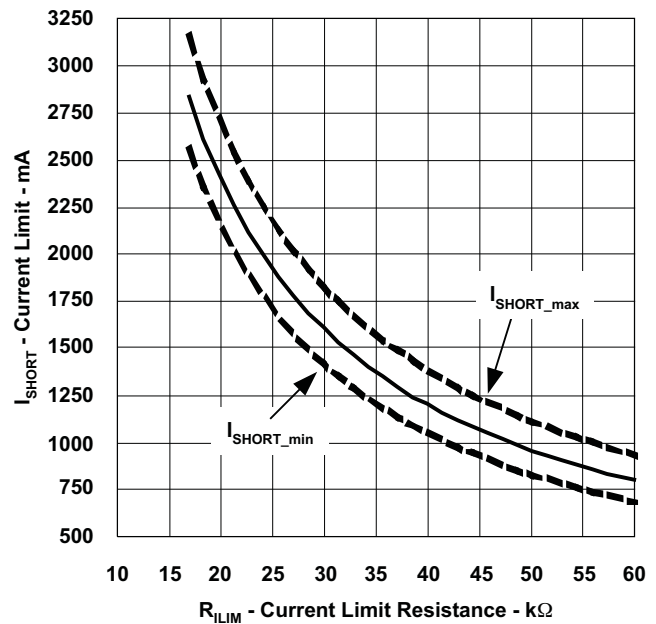


图 42.

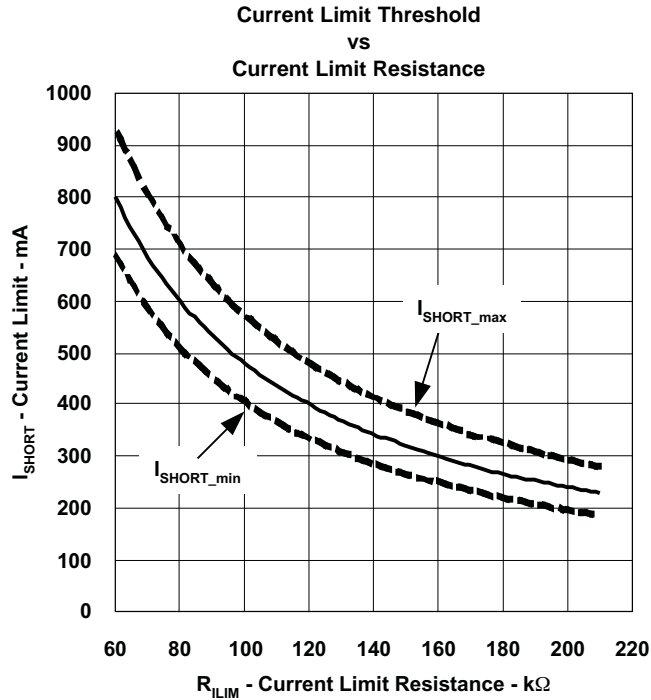


图 43.

Current Limit Setpoint Example

In the following example, choose the ILIM resistor to ensure that the TPS2540/40A does not trip off under worst case conditions of ILIM and resistor tolerance (assume 1% resistor tolerance). For this example, $I_{OS_{MIN}} = 2500$ mA.

$$I_{OS_{MIN}} = \frac{48000}{R_{ILIMx}^{1.037}} = 2500 \text{ mA} \quad (6)$$

$$R_{ILIMx} = \left[\frac{48000}{I_{OS_{MIN}}} \right]^{\frac{1}{1.037}} = \left[\frac{48000}{2500 \text{ mA}} \right]^{\frac{1}{1.037}} = 17.28 \text{ k}\Omega \quad (7)$$

Including resistor tolerance, target maximum:

$$R_{ILIMx} = \frac{17.28 \text{ k}\Omega}{1.01} = 17.11 \text{ k}\Omega \quad (8)$$

Choose:

$$R_{ILIMx} = 16.9 \text{ k}\Omega \quad (9)$$

CTL Pin Configuration for Notebook States

The CTL pins provide the user with mode flexibility. Specifically, within a notebook, states S0, S3, S4, and S5 are important for controlling power consumption. For S0 the host controller is active, so either SDP or CDP should be selected. The notebook is responsible for sourcing at least 500mA when SDP is selected and at least 1500 mA when CDP is selected. 图 44 illustrates the circuit connection for TPS2541 using one control signal (STATE). When STATE = logic 0, auto detect is selected (S3/S4/S5, 1.5 A). When STATE = logic 1, CDP mode is selected (S0, 1.5 A).

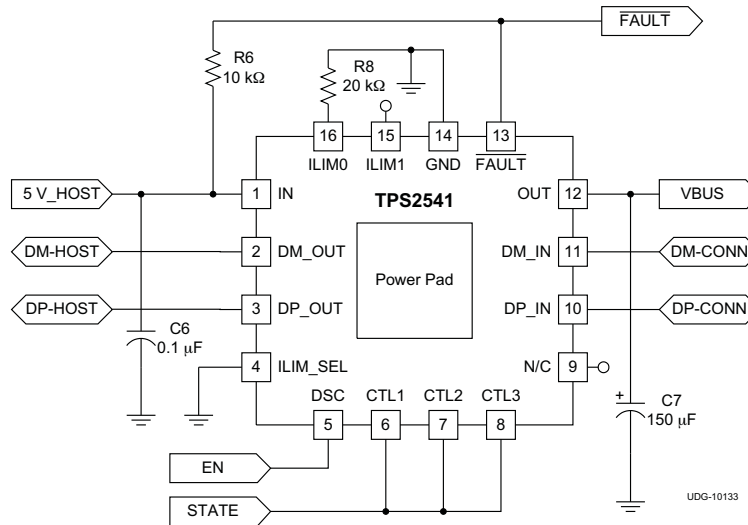


图 44. TPS2541 Application Using Single STATE Control Signal

图 45 illustrates the circuit connection for TPS2540/40A with STATE and ADAPTER control signals. If the adapter is present (ADAPTER = logic 1), the TPS2540/40A supports auto detect operation when STATE = logic 0 (S3/S4/S5, 1.5 A) and CDP operation when STATE = logic 1 (S0, 1.5 A). If the adapter is not present (ADAPTER = logic 0), the TPS2540/40A disables sleep charge when STATE = logic 0 (S3/S4/S5, power switch off) and SDP operation when STATE = logic 1 (S0, 0.5 A).

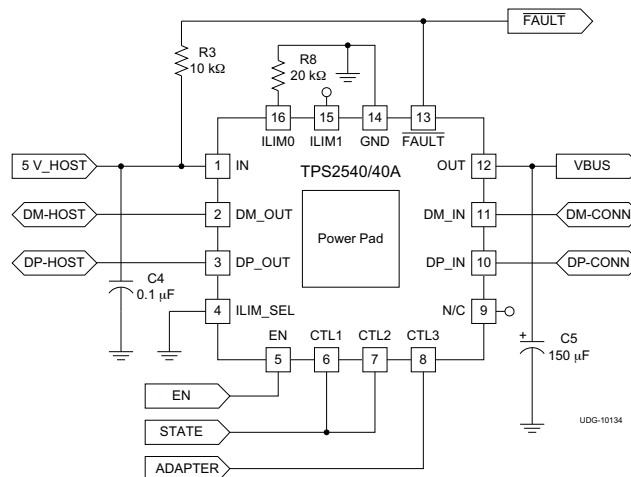


图 45. TPS2540/40A Application Using STATE and ADAPTER Control Signals

Layout Guidelines

TPS2540/40A/41 Placement: Place the TPS2540/40A/41 near the USB output connector and 150- μ F OUT pin filter capacitor. Connect the exposed Power PAD to the GND pin and to the system ground plane using a via array.

IN pin bypass capacitance: Place the 0.1- μ F bypass capacitor near the IN pin and make the connection using a low inductance trace.

D+ and D- Traces: Route in and out traces as controlled impedance differential pairs per the USB specification and the Intel guideline for USB-2.0. Minimize the use of vias in the high speed data lines.

ESD

The use of a common mode choke in the upstream datapath can provide additional ESD protection from client side cable insertion transients. In addition, a low capacitance ESD protection array such as the TPD2E001 provides a robust solution. The [TPS2540EVM-623 \(SLVU401\)](#) provides a good example of routing and output datapath protection.

Using a system board, applying same design rules and protection devices as the TPS2540EVM-623, the TPS2540 has been tested to EN61000-4-2. The levels used were 8-kV contact discharge and 15-kV air discharge. Voltage transients were applied between D+ terminal and the earth ground, and between D- terminal and the earth ground, V- being connected to earth ground. Tests were performed while both powered and unpowered. No TPS2540 failures were observed and operation was continuous.

IN Pin Bypass Capacitance

Place the 0.1- μ F bypass capacitor near the IN pin and make the connection using a low inductance trace.

ILIM0 and ILIM1 Pin Connections

Current limit set point accuracy can be compromised by stray leakage from a higher voltage source to the ILIM0 or ILIM1 pins. Ensure that there is adequate spacing between IN pin copper/trace and ILIM0 pin trace to prevent contaminant buildup during the PCB assembly process. If a low current limit set point is required (RILIMx > 200 k Ω), use ILIM1 for this case as it is further away from the IN pin.

REVISION HISTORY

Changes from Original (October 2010) to Revision A	Page
• Added TPS2540A device to the datasheet.	1
• Deleted	1
• Added	1
• Changed Typical Application Diagram.	1
• Added TPS2540A description information.	2
• Added Low DP_IN period in DCP mode information for the TPS2540A device	6
• Changed pinout drawing.	7
• Changed TPS2540/40A Control Signal drawing.	29

PACKAGING INFORMATION

Orderable part number	Status (1)	Material type (2)	Package Pins	Package qty Carrier	RoHS (3)	Lead finish/ Ball material (4)	MSL rating/ Peak reflow (5)	Op temp (°C)	Part marking (6)
TPS2540ARTER	Active	Production	WQFN (RTE) 16	3000 LARGE T&R	Yes	NIPDAU	Level-2-260C-1 YEAR	-40 to 85	2540A
TPS2540ARTET	Active	Production	WQFN (RTE) 16	250 SMALL T&R	Yes	NIPDAU	Level-2-260C-1 YEAR	-40 to 85	2540A
TPS2540RTER	Active	Production	WQFN (RTE) 16	3000 LARGE T&R	Yes	NIPDAU	Level-2-260C-1 YEAR	-40 to 85	2540
TPS2540RTET	Active	Production	WQFN (RTE) 16	250 SMALL T&R	Yes	NIPDAU	Level-2-260C-1 YEAR	-40 to 85	2540
TPS2541RTER	Active	Production	WQFN (RTE) 16	3000 LARGE T&R	Yes	NIPDAU	Level-2-260C-1 YEAR	-40 to 85	2541
TPS2541RTET	Active	Production	WQFN (RTE) 16	250 SMALL T&R	Yes	NIPDAU	Level-2-260C-1 YEAR	-40 to 85	2541

(1) **Status:** For more details on status, see our [product life cycle](#).

(2) **Material type:** When designated, preproduction parts are prototypes/experimental devices, and are not yet approved or released for full production. Testing and final process, including without limitation quality assurance, reliability performance testing, and/or process qualification, may not yet be complete, and this item is subject to further changes or possible discontinuation. If available for ordering, purchases will be subject to an additional waiver at checkout, and are intended for early internal evaluation purposes only. These items are sold without warranties of any kind.

(3) **RoHS values:** Yes, No, RoHS Exempt. See the [TI RoHS Statement](#) for additional information and value definition.

(4) **Lead finish/Ball material:** Parts may have multiple material finish options. Finish options are separated by a vertical ruled line. Lead finish/Ball material values may wrap to two lines if the finish value exceeds the maximum column width.

(5) **MSL rating/Peak reflow:** The moisture sensitivity level ratings and peak solder (reflow) temperatures. In the event that a part has multiple moisture sensitivity ratings, only the lowest level per JEDEC standards is shown. Refer to the shipping label for the actual reflow temperature that will be used to mount the part to the printed circuit board.

(6) **Part marking:** There may be an additional marking, which relates to the logo, the lot trace code information, or the environmental category of the part.

Multiple part markings will be inside parentheses. Only one part marking contained in parentheses and separated by a "~" will appear on a part. If a line is indented then it is a continuation of the previous line and the two combined represent the entire part marking for that device.

Important Information and Disclaimer:The information provided on this page represents TI's knowledge and belief as of the date that it is provided. TI bases its knowledge and belief on information provided by third parties, and makes no representation or warranty as to the accuracy of such information. Efforts are underway to better integrate information from third parties. TI has taken and continues to take reasonable steps to provide representative and accurate information but may not have conducted destructive testing or chemical analysis on incoming materials and chemicals. TI and TI suppliers consider certain information to be proprietary, and thus CAS numbers and other limited information may not be available for release.

In no event shall TI's liability arising out of such information exceed the total purchase price of the TI part(s) at issue in this document sold by TI to Customer on an annual basis.

TAPE AND REEL INFORMATION

QUADRANT ASSIGNMENTS FOR PIN 1 ORIENTATION IN TAPE


*All dimensions are nominal

Device	Package Type	Package Drawing	Pins	SPQ	Reel Diameter (mm)	Reel Width W1 (mm)	A0 (mm)	B0 (mm)	K0 (mm)	P1 (mm)	W (mm)	Pin1 Quadrant
TPS2540ARTER	WQFN	RTE	16	3000	330.0	12.4	3.3	3.3	1.1	8.0	12.0	Q2
TPS2540ARTER	WQFN	RTE	16	3000	330.0	12.4	3.3	3.3	1.1	8.0	12.0	Q2
TPS2540ARTET	WQFN	RTE	16	250	180.0	12.5	3.3	3.3	1.1	8.0	12.0	Q2
TPS2540ARTET	WQFN	RTE	16	250	180.0	12.4	3.3	3.3	1.1	8.0	12.0	Q2
TPS2540RTER	WQFN	RTE	16	3000	330.0	12.4	3.3	3.3	1.1	8.0	12.0	Q2
TPS2540RTER	WQFN	RTE	16	3000	330.0	12.4	3.3	3.3	1.1	8.0	12.0	Q2
TPS2540RTET	WQFN	RTE	16	250	180.0	12.4	3.3	3.3	1.1	8.0	12.0	Q2
TPS2541RTER	WQFN	RTE	16	3000	330.0	12.4	3.3	3.3	1.1	8.0	12.0	Q2
TPS2541RTER	WQFN	RTE	16	3000	330.0	12.4	3.3	3.3	1.1	8.0	12.0	Q2
TPS2541RTET	WQFN	RTE	16	250	180.0	12.4	3.3	3.3	1.1	8.0	12.0	Q2
TPS2541RTET	WQFN	RTE	16	250	180.0	12.5	3.3	3.3	1.1	8.0	12.0	Q2

TAPE AND REEL BOX DIMENSIONS


*All dimensions are nominal

Device	Package Type	Package Drawing	Pins	SPQ	Length (mm)	Width (mm)	Height (mm)
TPS2540ARTER	WQFN	RTE	16	3000	338.0	355.0	50.0
TPS2540ARTER	WQFN	RTE	16	3000	346.0	346.0	33.0
TPS2540ARTET	WQFN	RTE	16	250	338.0	355.0	50.0
TPS2540ARTET	WQFN	RTE	16	250	210.0	185.0	35.0
TPS2540RTER	WQFN	RTE	16	3000	346.0	346.0	33.0
TPS2540RTER	WQFN	RTE	16	3000	356.0	356.0	35.0
TPS2540RTET	WQFN	RTE	16	250	210.0	185.0	35.0
TPS2541RTER	WQFN	RTE	16	3000	346.0	346.0	33.0
TPS2541RTER	WQFN	RTE	16	3000	338.0	355.0	50.0
TPS2541RTET	WQFN	RTE	16	250	210.0	185.0	35.0
TPS2541RTET	WQFN	RTE	16	250	338.0	355.0	50.0

GENERIC PACKAGE VIEW

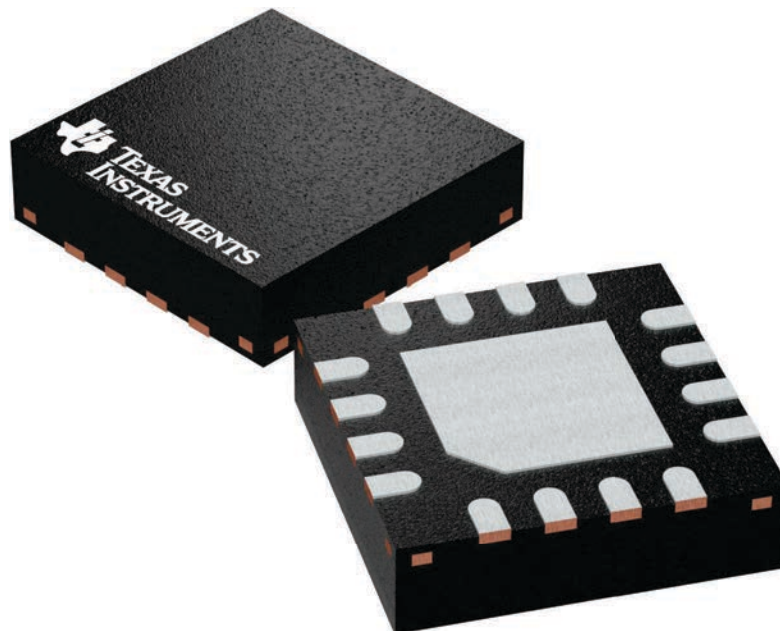
RTE 16

WQFN - 0.8 mm max height

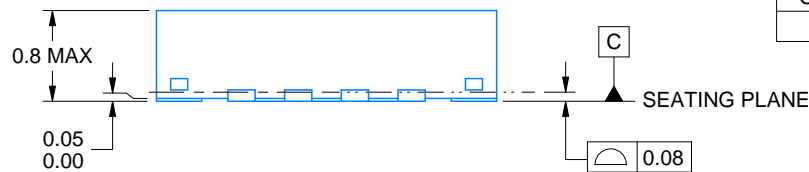
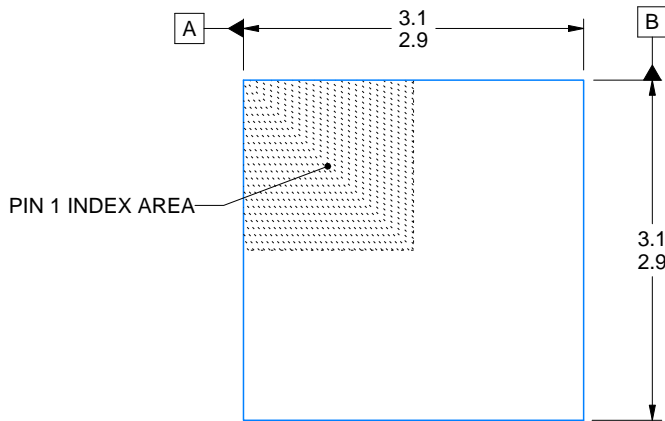
3 x 3, 0.5 mm pitch

PLASTIC QUAD FLATPACK - NO LEAD

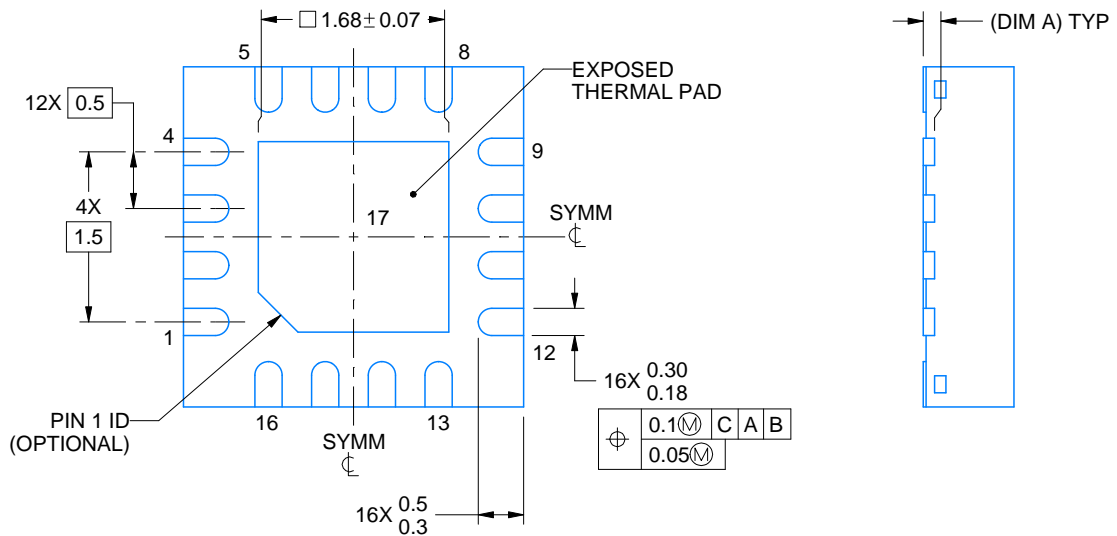
This image is a representation of the package family, actual package may vary.
Refer to the product data sheet for package details.



4225944/A



SIDE WALL METAL THICKNESS DIM A	
OPTION 1	OPTION 2
0.1	0.2



4219117/B 04/2022

NOTES:

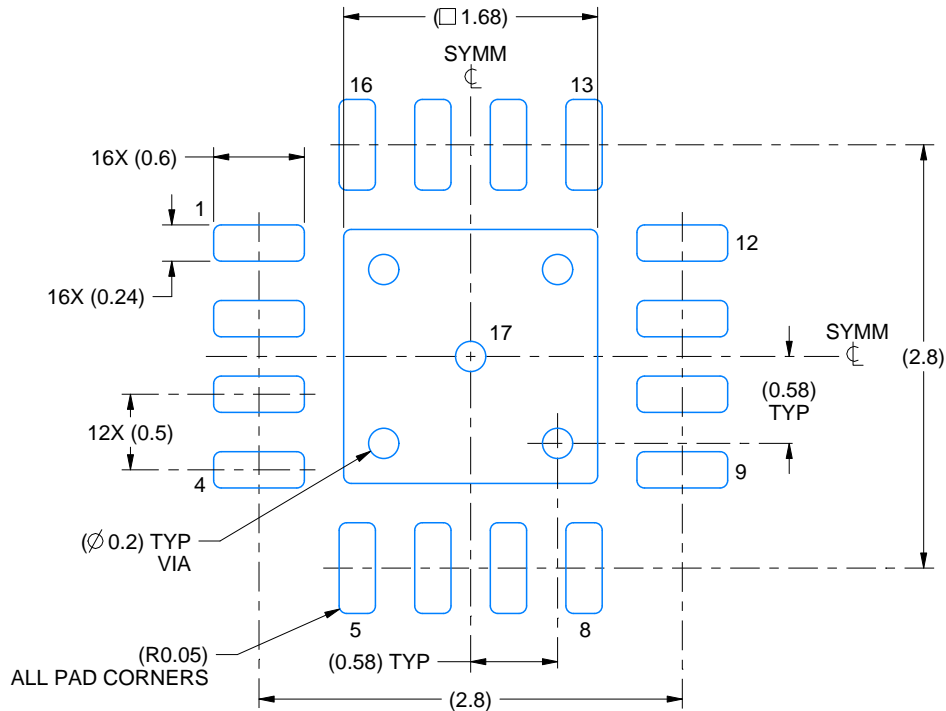
1. All linear dimensions are in millimeters. Any dimensions in parenthesis are for reference only. Dimensioning and tolerancing per ASME Y14.5M.
2. This drawing is subject to change without notice.
3. The package thermal pad must be soldered to the printed circuit board for thermal and mechanical performance.

EXAMPLE BOARD LAYOUT

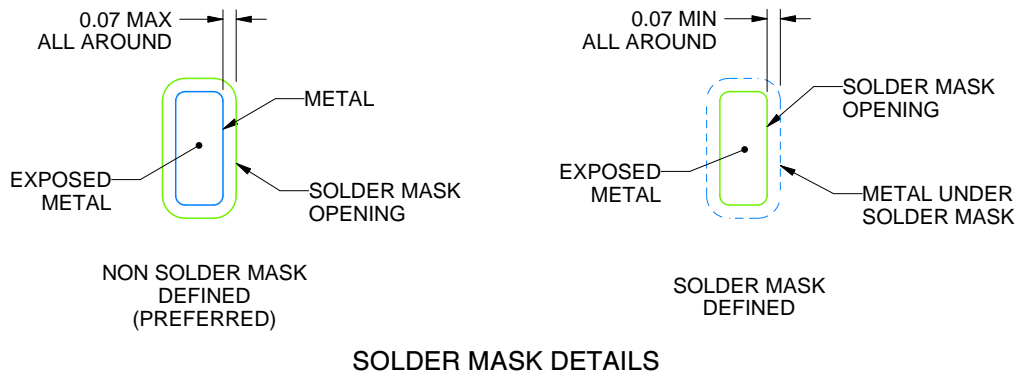
RTE0016C

WQFN - 0.8 mm max height

PLASTIC QUAD FLATPACK - NO LEAD



LAND PATTERN EXAMPLE
EXPOSED METAL SHOWN
SCALE:20X



SOLDER MASK DETAILS

4219117/B 04/2022

NOTES: (continued)

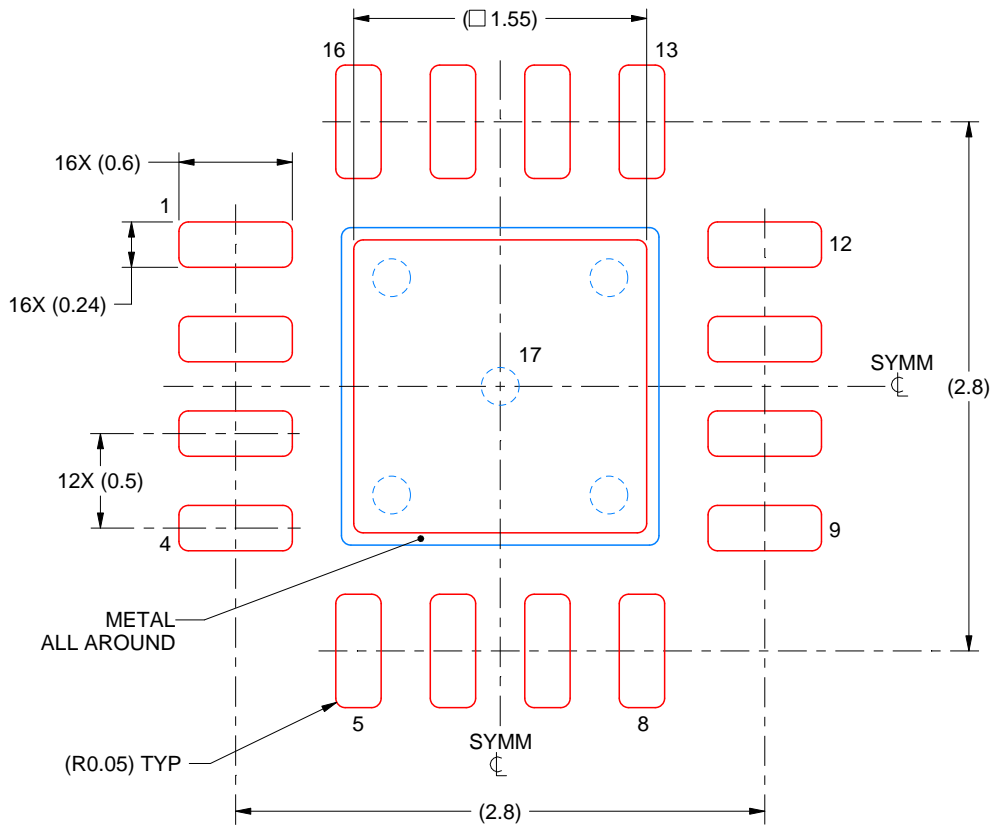
- This package is designed to be soldered to a thermal pad on the board. For more information, see Texas Instruments literature number SLUA271 (www.ti.com/lit/sl原因271).
- Vias are optional depending on application, refer to device data sheet. If any vias are implemented, refer to their locations shown on this view. It is recommended that vias under paste be filled, plugged or tented.

EXAMPLE STENCIL DESIGN

RTE0016C

WQFN - 0.8 mm max height

PLASTIC QUAD FLATPACK - NO LEAD



SOLDER PASTE EXAMPLE
BASED ON 0.125 mm THICK STENCIL

EXPOSED PAD 17:
85% PRINTED SOLDER COVERAGE BY AREA UNDER PACKAGE
SCALE:25X

4219117/B 04/2022

NOTES: (continued)

6. Laser cutting apertures with trapezoidal walls and rounded corners may offer better paste release. IPC-7525 may have alternate design recommendations.

重要通知和免责声明

TI“按原样”提供技术和可靠性数据（包括数据表）、设计资源（包括参考设计）、应用或其他设计建议、网络工具、安全信息和其他资源，不保证没有瑕疵且不做任何明示或暗示的担保，包括但不限于对适销性、某特定用途方面的适用性或不侵犯任何第三方知识产权的暗示担保。

这些资源可供使用 TI 产品进行设计的熟练开发人员使用。您将自行承担以下全部责任：(1) 针对您的应用选择合适的 TI 产品，(2) 设计、验证并测试您的应用，(3) 确保您的应用满足相应标准以及任何其他功能安全、信息安全、监管或其他要求。

这些资源如有变更，恕不另行通知。TI 授权您仅可将这些资源用于研发本资源所述的 TI 产品的相关应用。严禁以其他方式对这些资源进行复制或展示。您无权使用任何其他 TI 知识产权或任何第三方知识产权。您应全额赔偿因在这些资源的使用中对 TI 及其代表造成的任何索赔、损害、成本、损失和债务，TI 对此概不负责。

TI 提供的产品受 [TI 的销售条款](#) 或 [ti.com](#) 上其他适用条款/TI 产品随附的其他适用条款的约束。TI 提供这些资源并不会扩展或以其他方式更改 TI 针对 TI 产品发布的适用的担保或担保免责声明。

TI 反对并拒绝您可能提出的任何其他或不同的条款。

邮寄地址：Texas Instruments, Post Office Box 655303, Dallas, Texas 75265
版权所有 © 2025，德州仪器 (TI) 公司