

8通道爆管驱动器

 查询样品: **TPIC71008-Q1**

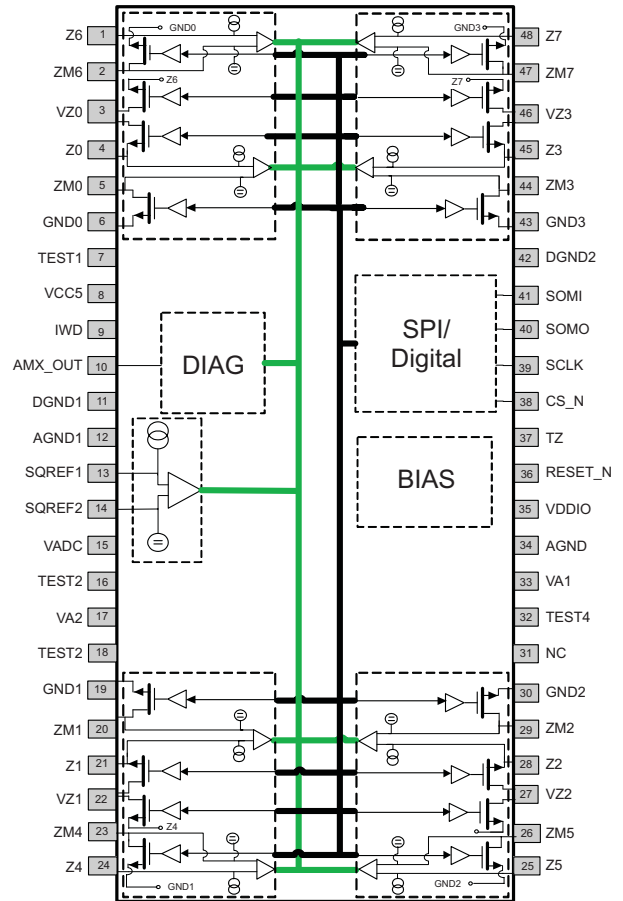
特性

- 针对气囊应用的**8通道爆管驱动器**
- 环路诊断监控和报告
- 两个逻辑输入为启用/禁用部署提供独立的动力恢复逻辑
- **8个独立的热保护高侧驱动器**, 可为每个爆管负载提供部署或诊断其电流水平
- **8个独立的雪崩电压及热保护低侧驱动器**, 可从每个爆管负载吸收部署或诊断其电流水平。
- 每个输出支持 **1.2 A/1.75 A** 的点火电流, 通常持续 **2 ms/0.5 ms**
- **SPI** 从接口支持具有奇偶校验的串行总线通信
- 点火 **VZx** 电压范围为 **10 V** 至 **35 V** 之间, 瞬时电压达 **40 V**
- 可编程点火时间高达 **8.2 ms**
- 所有部署环路的通用负载电流设置均采用寄存器
- 每个部署环路采用寄存器设置单个点火电流定时器限制
- 点火电流定时器可监控每个部署环路部署时间的点火电流
- 高低侧开关的独立开关控制
- 高低侧开关的独立开关控制
- 高低侧开关的独立开关控制
- 用于模拟电压测量的多路复用的输出缓冲器
- 爆管引脚使用的减震装置并不需要保护**ASIC**不受由于动态短路或者接地而产生的基板插入效应所对其部署所带来的影响
- 用于公制比例爆管电阻测量的连接至微处理器 **ADC** 电源的外部引脚。
- 除 **GNDx**、**AGND**、**DGND**、**VCC5**、**VDDIO** 以及 **AMX_OUT** 外的所有引脚都支持 **40 V** 引脚功能
- 工作环境温度范围: **-40°C** 至 **105°C**

- 散热增强型 **48 引脚 TSSOP DCA PowerPad** 封装

应用

- 气囊应用的爆管驱动器


PRODUCT PREVIEW

说明

TPIC71008是一款适用于汽车用气囊部署的**8通道爆管驱动器**。每个通道包括高侧与低侧开关, 所提供的独立控制逻辑可防止不慎部署。高侧与低侧开关都支持内部电流限制与过温保护。

IC 寄存器可用于**8通道配置、控制与状态监控**。为了避免不慎部署, 高低侧开关只有在采用适当配置排序、两个独立布防安全输入 (arming/safing input) 为活动状态且部署控制器逻辑的多个输入达到标准水平时才可打开。该寄存器采用串行通信接口编程。



Please be aware that an important notice concerning availability, standard warranty, and use in critical applications of Texas Instruments semiconductor products and disclaimers thereto appears at the end of this data sheet.

为了避免能耗过大，每通道最大工作 ON 时间由可编程点火定时器限定。此外，还可使用电流限制寄存器在部署时通过开关对最大电流进行编程。低侧开关上的电流限制高于相应高侧开关。部署过程中，低侧开关将全面增强，可在 RDS_ON 模式下工作，而高侧开关则在电流调节模式下工作。

IC 诊断功能可监控部署引脚电压，这使得高侧开关测试、低侧开关测试、爆管电阻测量、爆管电池或接地漏电测量或者任何爆管通道的漏电测量。爆管漏电测量不需要出现爆管负载，其包含 Zx 和 ZMx 引脚。诊断信息通过 AMX_OUT 引脚（针对模拟信号）与 SPI 映射状态寄存器（针对数字内核锁存的状态信号）进行通信。

高侧与低侧爆管驱动器都具有诊断级电流限制与部署级电流限制。默认的高侧及低侧爆管驱动器电流限制为诊断级电流限制。所有高侧驱动器的高侧开关部署电流限制都可通过 SPI 映射寄存器和器件 EEPROM 设置（见表 1）设为 1.2 A（最小值）或 1.75 A（最小值）（见表 2）。低侧部署电流限制不可编程，固定为大于高侧驱动器电流限制水平。每个不同爆管驱动器的接通时长可通过 SPI 映射寄存器进行编程。

部署排序需要一系列特定的软件命令与外部硬件安全防护逻辑输入（TZ=H, IWD=L）相结合来提供部署功能。高侧与低侧驱动器的打开排序可通过 SPI 命令进行软件控制。关闭程序可通过为高侧驱动器部署 ASIC 自动控制，而低侧驱动器的关闭程序则可通过部署 ASIC 进行控制，或通过 SPI 命令由软件控制。编程的接通时间部署后，高侧驱动器首先关闭，随后是低侧驱动器在大约 100us 后关闭（针对硬件控制关闭排序器件配置而言），或在 SPI 命令后，外部微处理器一直在接收低压侧驱动器的关闭信息（针对软件控制关闭排序器件配置而言）。

RESET_N 是活动低输入复位信号。一旦外部电压电源处于特定限制范围，该输入便由供电单元和 / 或外部微控制器中的较高值释放。通过串行通信接口配置和控制器件，需要外部微处理器。可靠的软件对系统工作非常重要。

表 1. 典型点火电流的潜在部署设置

点火电压	VZX 和 ZX 引脚之间实现部署的最大平均点火电压	典型点火电流	停留（点火）时间
35 V	32.56 V	1.2 A	2 ms ⁽¹⁾
35 V	35.0 V	1.75 A	0.5 ms ⁽¹⁾

(1) 对编程所需的停留（点火）时间而言

延长部署时间会激活过温保护电路并终止部署。如果在部署时短路至接地的情况发生时，则在整个 HS_FET 上完全下降 35 V 点火电压，这将启动热关闭保护机制来保护器件。

表 2. 最大点火电流的潜在部署设置

点火电压	VZX 和 ZX 引脚之间实现部署的最大平均点火电压	最大点火电流 ⁽¹⁾	停留（点火）时间
35 V	30 V	2.6 A (for 1.75 A 电流设置)	0.7 ms ⁽²⁾
35 V	31 V	2.0 A (for 1.2 A 电流设置)	2.0 ms ⁽²⁾

(1) 最大点火电流级别可通过器件 EEPROM 设置设定

(2) 对编程所需的停留（点火）时间而言

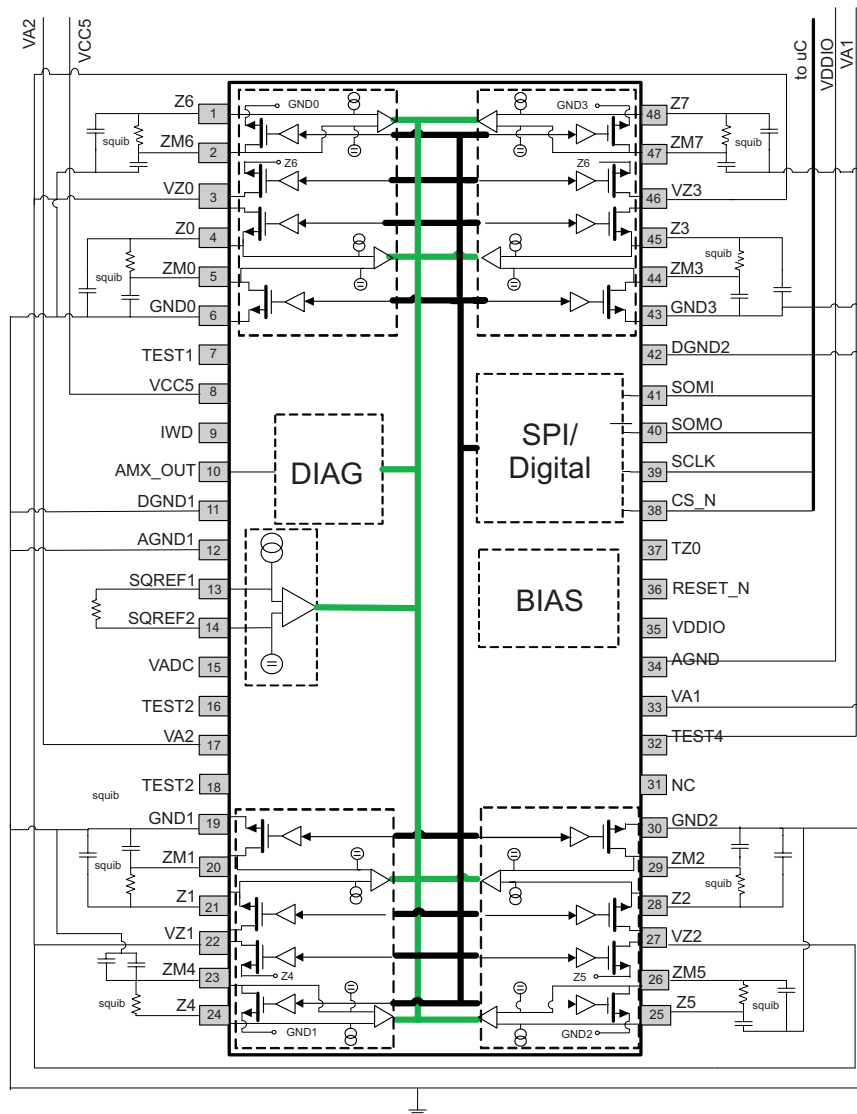


图 1. 功能方框图

如欲阅读本文档全部版本， 敬请联系 msamktg@list.ti.com。

ORDERING INFORMATION

T _A	PACKAGE ⁽¹⁾		ORDERABLE PART NUMBER	TOP-SIDE MARKING
-40°C to 105°C	HTSSOP – DCA	Tape and reel	TPIC71008TDCAQ1	TPIC71008
			TPIC71008TDCARQ1	

(1) "Pb-Free" is defined to be compliant with the current RoHS requirements for all 6 substances, including the requirement that lead not exceed 0.1% by weight in homogeneous materials unless exempt. Where designed to be soldered at high temperatures, TI "Pb-Free" and "RoHS Compliant" products are suitable for use in specified lead-free processes.

PACKAGING INFORMATION

Orderable Device	Status (1)	Package Type	Package Drawing	Pins	Package Qty	Eco Plan (2)	Lead finish/ Ball material (6)	MSL Peak Temp (3)	Op Temp (°C)	Device Marking (4/5)	Samples
TPIC71008TDCARQ1	ACTIVE	HTSSOP	DCA	48	2000	RoHS & Green	NIPDAU	Level-3-260C-168 HR	-40 to 105	TPIC71008T	Samples

(1) The marketing status values are defined as follows:

ACTIVE: Product device recommended for new designs.

LIFEBUY: TI has announced that the device will be discontinued, and a lifetime-buy period is in effect.

NRND: Not recommended for new designs. Device is in production to support existing customers, but TI does not recommend using this part in a new design.

PREVIEW: Device has been announced but is not in production. Samples may or may not be available.

OBSELETE: TI has discontinued the production of the device.

(2) **RoHS:** TI defines "RoHS" to mean semiconductor products that are compliant with the current EU RoHS requirements for all 10 RoHS substances, including the requirement that RoHS substance do not exceed 0.1% by weight in homogeneous materials. Where designed to be soldered at high temperatures, "RoHS" products are suitable for use in specified lead-free processes. TI may reference these types of products as "Pb-Free".

RoHS Exempt: TI defines "RoHS Exempt" to mean products that contain lead but are compliant with EU RoHS pursuant to a specific EU RoHS exemption.

Green: TI defines "Green" to mean the content of Chlorine (Cl) and Bromine (Br) based flame retardants meet JS709B low halogen requirements of <=1000ppm threshold. Antimony trioxide based flame retardants must also meet the <=1000ppm threshold requirement.

(3) MSL, Peak Temp. - The Moisture Sensitivity Level rating according to the JEDEC industry standard classifications, and peak solder temperature.

(4) There may be additional marking, which relates to the logo, the lot trace code information, or the environmental category on the device.

(5) Multiple Device Markings will be inside parentheses. Only one Device Marking contained in parentheses and separated by a "-" will appear on a device. If a line is indented then it is a continuation of the previous line and the two combined represent the entire Device Marking for that device.

(6) Lead finish/Ball material - Orderable Devices may have multiple material finish options. Finish options are separated by a vertical ruled line. Lead finish/Ball material values may wrap to two lines if the finish value exceeds the maximum column width.

Important Information and Disclaimer:The information provided on this page represents TI's knowledge and belief as of the date that it is provided. TI bases its knowledge and belief on information provided by third parties, and makes no representation or warranty as to the accuracy of such information. Efforts are underway to better integrate information from third parties. TI has taken and continues to take reasonable steps to provide representative and accurate information but may not have conducted destructive testing or chemical analysis on incoming materials and chemicals. TI and TI suppliers consider certain information to be proprietary, and thus CAS numbers and other limited information may not be available for release.

In no event shall TI's liability arising out of such information exceed the total purchase price of the TI part(s) at issue in this document sold by TI to Customer on an annual basis.

GENERIC PACKAGE VIEW

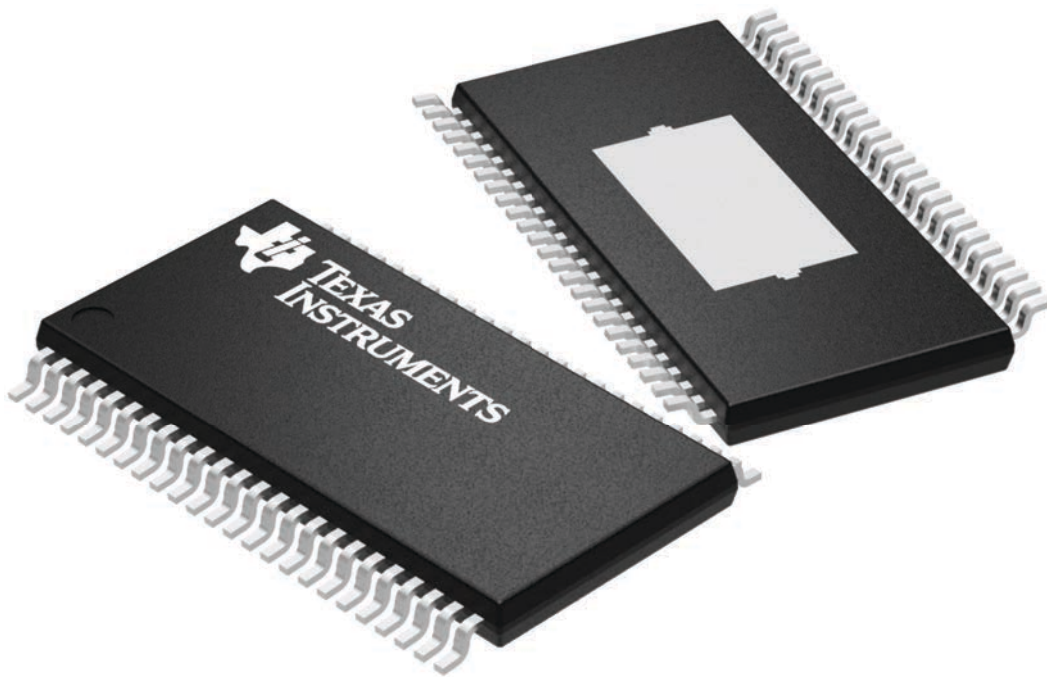
DCA 48

HTSSOP - 1.2 mm max height

12.5 x 6.1, 0.5 mm pitch

SMALL OUTLINE PACKAGE

This image is a representation of the package family, actual package may vary.
Refer to the product data sheet for package details.

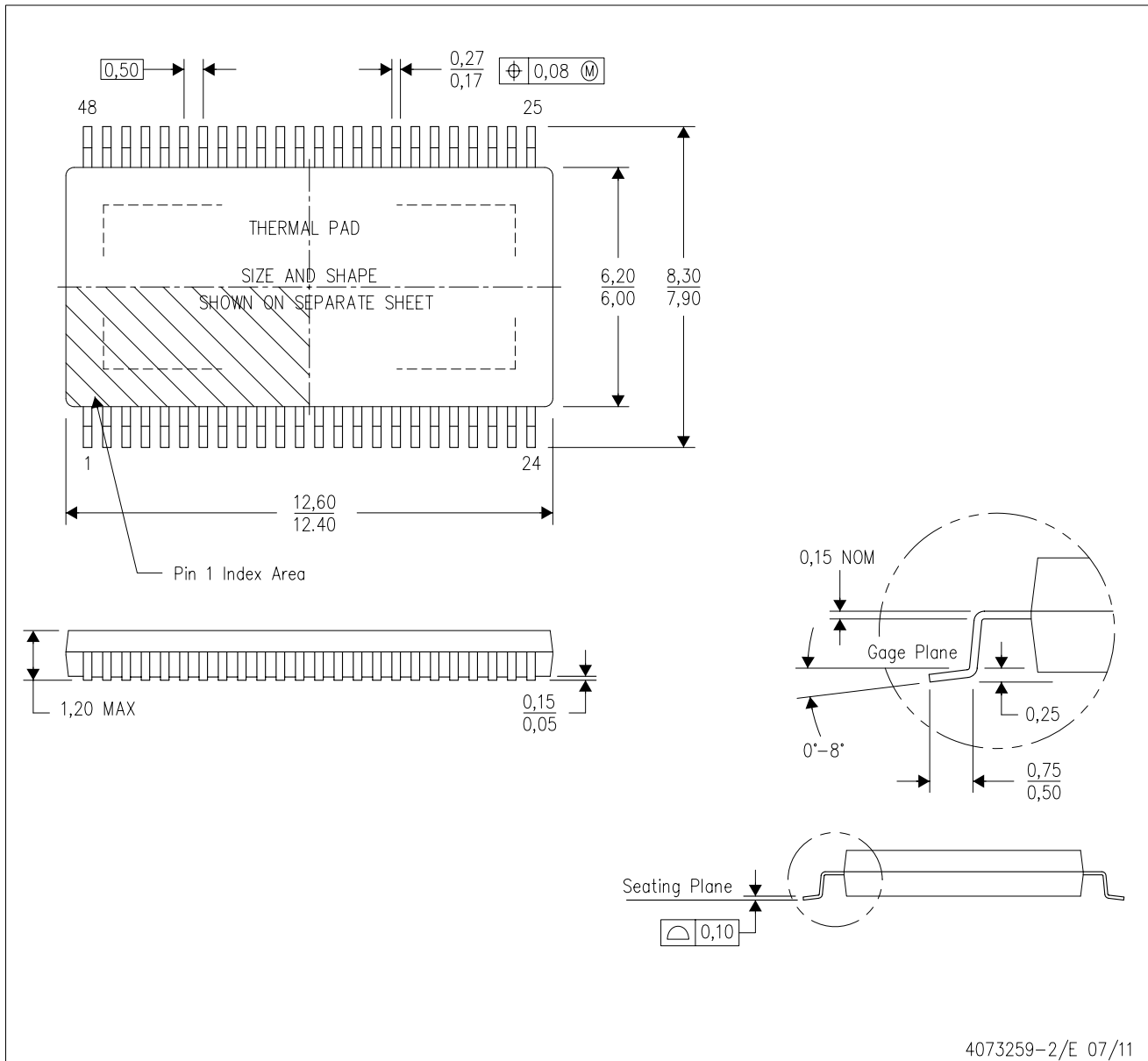


4224608/A

MECHANICAL DATA

DCA (R-PDSO-G48)

PowerPAD™ PLASTIC SMALL-OUTLINE



4073259-2/E 07/11

- NOTES:
- A. All linear dimensions are in millimeters. Dimensioning and tolerancing per ASME Y14.5M-1994.
 - B. This drawing is subject to change without notice.
 - C. Body dimensions do not include mold flash or protrusion not to exceed 0,15.
 - D. This package is designed to be soldered to a thermal pad on the board. Refer to Technical Brief, PowerPad Thermally Enhanced Package, Texas Instruments Literature No. SLMA002 for information regarding recommended board layout. This document is available at www.ti.com <<http://www.ti.com>>.
 - E. See the additional figure in the Product Data Sheet for details regarding the exposed thermal pad features and dimensions.
 - F. Falls within JEDEC MO-153

PowerPAD is a trademark of Texas Instruments.

THERMAL PAD MECHANICAL DATA

DCA (R-PDSO-G48)

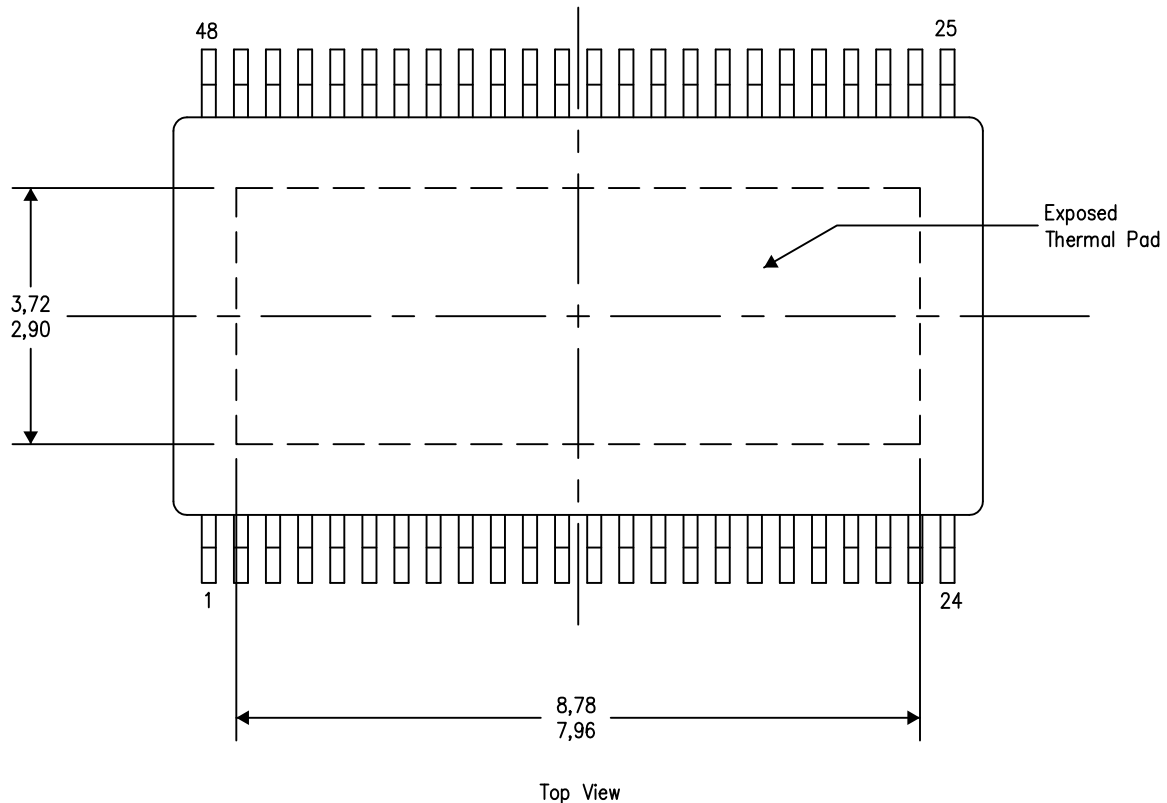
PowerPAD™ PLASTIC SMALL OUTLINE

THERMAL INFORMATION

This PowerPAD™ package incorporates an exposed thermal pad that is designed to be attached to a printed circuit board (PCB). The thermal pad must be soldered directly to the PCB. After soldering, the PCB can be used as a heatsink. In addition, through the use of thermal vias, the thermal pad can be attached directly to the appropriate copper plane shown in the electrical schematic for the device, or alternatively, can be attached to a special heatsink structure designed into the PCB. This design optimizes the heat transfer from the integrated circuit (IC).

For additional information on the PowerPAD package and how to take advantage of its heat dissipating abilities, refer to Technical Brief, PowerPAD Thermally Enhanced Package, Texas Instruments Literature No. SLMA002 and Application Brief, PowerPAD Made Easy, Texas Instruments Literature No. SLMA004. Both documents are available at www.ti.com.

The exposed thermal pad dimensions for this package are shown in the following illustration.



Exposed Thermal Pad Dimensions

4206320-7/S 11/14

NOTE: A. All linear dimensions are in millimeters

PowerPAD is a trademark of Texas Instruments.

重要声明和免责声明

TI“按原样”提供技术和可靠性数据（包括数据表）、设计资源（包括参考设计）、应用或其他设计建议、网络工具、安全信息和其他资源，不保证没有瑕疵且不做任何明示或暗示的担保，包括但不限于对适销性、某特定用途方面的适用性或不侵犯任何第三方知识产权的暗示担保。

这些资源可供使用 TI 产品进行设计的熟练开发人员使用。您将自行承担以下全部责任：(1) 针对您的应用选择合适的 TI 产品，(2) 设计、验证并测试您的应用，(3) 确保您的应用满足相应标准以及任何其他功能安全、信息安全、监管或其他要求。

这些资源如有变更，恕不另行通知。TI 授权您仅可将这些资源用于研发本资源所述的 TI 产品的应用。严禁对这些资源进行其他复制或展示。您无权使用任何其他 TI 知识产权或任何第三方知识产权。您应全额赔偿因在这些资源的使用中对 TI 及其代表造成的任何索赔、损害、成本、损失和债务，TI 对此概不负责。

TI 提供的产品受 [TI 的销售条款](#) 或 [ti.com](#) 上其他适用条款/TI 产品随附的其他适用条款的约束。TI 提供这些资源并不会扩展或以其他方式更改 TI 针对 TI 产品发布的适用的担保或担保免责声明。

TI 反对并拒绝您可能提出的任何其他或不同的条款。

邮寄地址：Texas Instruments, Post Office Box 655303, Dallas, Texas 75265

Copyright © 2022，德州仪器 (TI) 公司