

8-CHANNEL, 12-/10-/8-BIT, 2.7-V TO 5.5-V LOW POWER DIGITAL-TO-ANALOG CONVERTERS WITH POWER DOWN AND INTERNAL REFERENCE

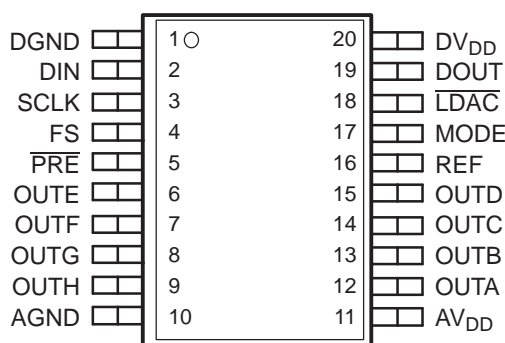
FEATURES

- **Eight Voltage Output DACs in One Package**
 - TLV5630 . . . 12-Bit
 - TLV5631 . . . 10-Bit
 - TLV5632 . . . 8-Bit
 - 1 μ s in Fast Mode
 - 3 μ s in Slow Mode
- **Programmable Settling Time vs Power Consumption**
 - 1 μ s in Fast Mode
 - 3 μ s in Slow Mode
 - 18 mW in Slow Mode at 3 V
 - 48 mW in Fast Mode at 3 V
- **Compatible With TMS320 and SPI Serial Ports**
- **Monotonic Over Temperature**
- **Low Power Consumption:**
 - 18 mW in Slow Mode at 3 V
 - 48 mW in Fast Mode at 3 V
- **Power-Down Mode**
- **Internal Reference**
- **Data Output for Daisy-Chaining**

APPLICATIONS

- **Digital Servo Control Loops**
- **Digital Offset and Gain Adjustment**
- **Industrial Process Control**
- **Machine and Motion Control Devices**
- **Mass Storage Devices**

DW OR PW PACKAGE
(TOP VIEW)



DESCRIPTION

The TLV5630, TLV5631, and TLV5632 are pin-compatible, eight-channel, 12-/10-/8-bit voltage output DACs each with a flexible serial interface. The serial interface allows glueless interface to TMS320 and SPI, QSPI, and Microwire serial ports. It is programmed with a 16-bit serial string containing 4 control and 12 data bits.

Additional features are a power-down mode, an $\overline{\text{LDAC}}$ input for simultaneous update of all eight DAC outputs, and a data output which can be used to cascade multiple devices, and an internal programmable band-gap reference.

The resistor string output voltage is buffered by a rail-to-rail output amplifier with a programmable settling time to allow the designer to optimize speed vs power dissipation. The buffered, high-impedance reference input can be connected to the supply voltage.

Implemented with a CMOS process, the DACs are designed for single-supply operation from 2.7 V to 5.5 V, and can operate on two separate analog and digital power supplies. The devices are available in 20-pin SOIC and TSSOP packages.



Please be aware that an important notice concerning availability, standard warranty, and use in critical applications of Texas Instruments semiconductor products and disclaimers thereto appears at the end of this data sheet.

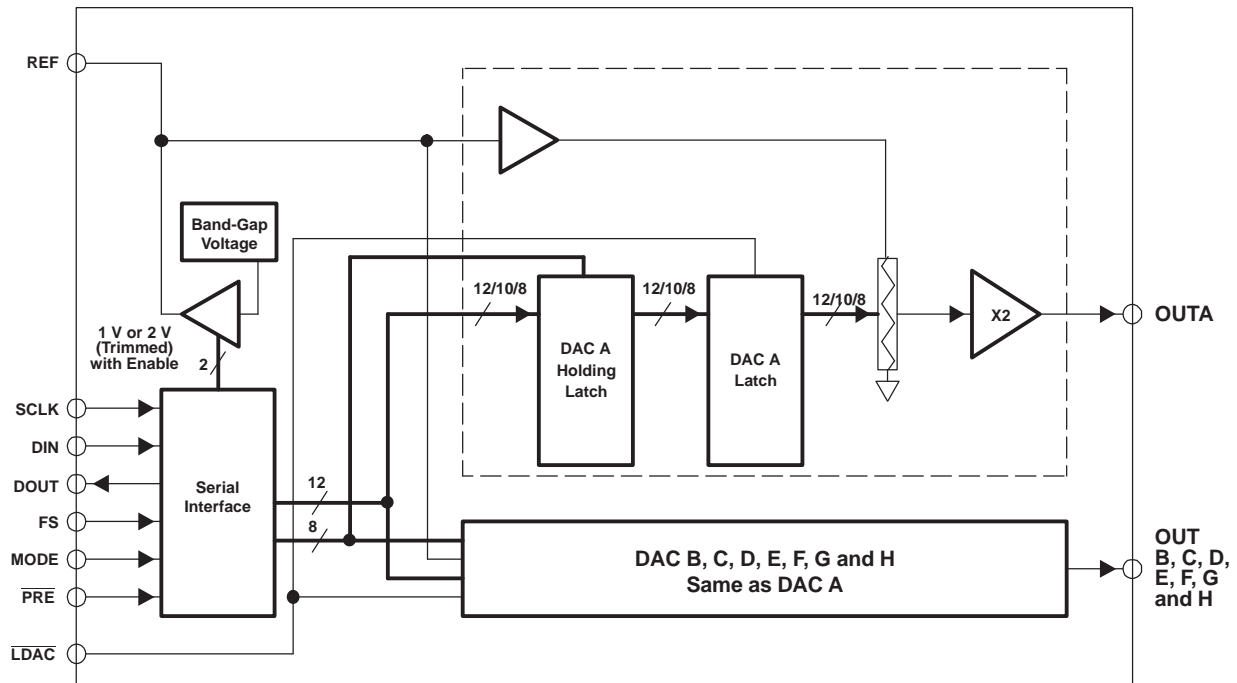


These devices have limited built-in ESD protection. The leads should be shorted together or the device placed in conductive foam during storage or handling to prevent electrostatic damage to the MOS gates.

AVAILABLE OPTIONS

T _A	PACKAGE		
	SOIC (DW)	TSSOP (PW)	RESOLUTION
40°C to 85°C	TLV5630IDW	TLV5630IPW	12
	TLV5631IDW	TLV5631IPW	10
	TLV5632IDW	TLV5632IPW	8

FUNCTIONAL BLOCK DIAGRAM



Terminal Functions

TERMINAL NAME	NO.	I/O	DESCRIPTION
AGND	10	P	Analog ground
AV _{DD}	11	P	Analog power supply
DGND	1	P	Digital ground
DIN	2	I	Digital serial data input
DOUT	19	O	Digital serial data output
DV _{DD}	20	P	Digital power supply
FS	4	I	Frame sync input
LDAC	18	I	Load DAC. The DAC outputs are only updated, if this signal is low. It is an asynchronous input.
MODE	17	I	DSP/μC mode pin. High = μC mode, NC = DSP mode.
PRE	5	I	Preset input
REF	16	I/O	Voltage reference input/output
SCLK	3	I	Serial clock input
OUTA-OUTH	12-15, 6-9	O	DAC outputs A, B, C, D, E, F, G and H

ABSOLUTE MAXIMUM RATINGS

over operating free-air temperature (unless otherwise noted) ⁽¹⁾

	UNIT
Supply voltage, (AV _{DD} , DV _{DD} to GND)	7 V
Reference input voltage range	- 0.3 V to AV _{DD} + 0.3
Digital input voltage range	- 0.3 V to DV _{DD} + 0.3
Operating free-air temperature range, T _A	-40°C to 85°C
Storage temperature range, T _{stg}	-65°C to 150°C
Lead temperature 1,6 mm (1/16 inch) from case for 10 seconds	260°C

- (1) Stresses beyond those listed under „absolute maximum ratings” may cause permanent damage to the device. These are stress ratings only, and functional operation of the device at these or any other conditions beyond those indicated under „recommended operating conditions” is not implied. Exposure to absolute-maximum-rated conditions for extended periods may affect device reliability.

RECOMMENDED OPERATING CONDITIONS

		MIN	TYP	MAX	UNIT
Supply voltage, AV _{DD} , DV _{DD}	5-V operation	4.5	5	5.5	V
	3-V operation	2.7	3	3.3	V
High-level digital input, V _{IH}	DV _{DD} = 2.7 V	2			V
	DV _{DD} = 5.5 V	2.4			V
Low-level digital input, V _{IL}	DV _{DD} = 2.7 V			0.6	V
	DV _{DD} = 5.5 V			1.0	V
Reference voltage, V _{ref}	AV _{DD} = 5 V, See ⁽¹⁾	GND	2.048	AV _{DD}	V
	AV _{DD} = 3 V, See ⁽¹⁾	GND	1.024	AV _{DD}	V
Analog output load resistance, R _L		2			kΩ
Analog output load capacitance, C _L				100	pF
Clock frequency, f _{CLK}				30	MHz
Operating free-air temperature, T _A		-40		85	°C

- (1) Reference input voltages greater than AV_{DD}/2 causes saturation for large DAC codes.

ELECTRICAL CHARACTERISTICS

over recommended operating conditions (unless otherwise noted)

PARAMETER	TEST CONDITIONS	MIN	TYP	MAX	UNIT
POWER SUPPLY					
I _{DD} Power supply current	No load, All inputs = DV _{DD} or GND, V _{ref} = 2.048 V, See ⁽¹⁾	Fast	16	21	mA
		Slow	6	8	
Power-down supply current			0.1		μA
POR Power on threshold			2		V
PSRR Power supply rejection ratio	Full scale, See ⁽²⁾		-50		dB

- (1) I_{DD} is measured while continuously writing code 2048 to the DAC. For V_{IH} < DV_{DD} - 0.7 V and V_{IL} > 0.7 V, supply current increases.
 (2) Power supply rejection ratio at full scale is measured by varying AV_{DD} and is given by: PSRR = 20 log [(E_G(AV_{DD}max) - E_G(AV_{DD}min))/V_{DD}max]

ELECTRICAL CHARACTERISTICS (continued)

over recommended operating conditions (unless otherwise noted)

PARAMETER		TEST CONDITIONS		MIN	TYP	MAX	UNIT
STATIC DAC SPECIFICATIONS							
Resolution	TLV5630				12		Bits
	TLV5631				10		Bits
	TLV5632				8		Bits
INL	Integral nonlinearity	TLV5630	V _{ref} = 1 V, 2 V	Code 40 to 4095	±2	±6	LSB
				Code 20 to 1023	±0.5	±2	LSB
				Code 6 to 255	±0.3	±1	LSB
DNL	Differential nonlinearity	TLV5630	V _{ref} = 1 V, 2 V	Code 40 to 4095	±0.5	±1	LSB
				Code 20 to 1023	±0.1	±1	LSB
				Code 6 to 255	±0.1	±1	LSB
E _{ZS}	Zero scale error (offset error at zero scale)					±30	mV
E _{ZS} TC	Zero scale error temperature coefficient				30		μV/°C
E _G	Gain error					±0.6	%Full Scale V
EGTC	Gain error temperature coefficient				10		ppm/°C
OUTPUT SPECIFICATIONS							
V _O	Voltage output range	R _L = 10 kΩ		0		AV _{DD} -0.4	V
	Output load regulation accuracy	R _L = 2 kΩ vs 10 kΩ				±0.3	%Full Scale V
REFERENCE OUTPUT							
V _{REFOUTL}	Low reference voltage	V _{DD} > 4.75 V		1.010	1.024	1.040	V
V _{REFOUTH}	High reference voltage			2.020	2.048	2.096	V
I _{ref(Source)}	Output source current					1	mA
I _{ref(Sink)}	Output sink current			-1			mA
	Load capacitance	See ⁽³⁾		1	10		μF
PSRR	Power supply rejection ratio				60		dB
REFERENCE INPUT							
V _I	Input voltage range			0		AV _{DD}	V
R _I	Input resistance				50		kΩ
C _I	Input capacitance				10		pF
	Reference input bandwidth	V _{ref} = 0.4 V _{pp} + 2.048 Vdc, Input code = 0x800	Fast		2.2		MHz
			Slow		1.9		MHz
	Reference feedthrough	V _{ref} = 2 V _{pp} at 1 kHz + 2.048 Vdc, See ⁽⁴⁾			84		dB
DIGITAL INPUTS							
I _{IH}	High-level digital input current	V _I = DV _{DD}				1	μA
I _{IL}	Low-level digital input current	V _I = 0 V		1			μA
C _I	Input capacitance				8		pF

(3) In parallel with a 100-nF capacitor

(4) Reference feedthrough is measured at the DAC output with an input code = 0x000.

ELECTRICAL CHARACTERISTICS (continued)

over recommended operating conditions (unless otherwise noted)

PARAMETER		TEST CONDITIONS	MIN	TYP	MAX	UNIT
DIGITAL OUTPUT						
V_{OH}	High-level digital output voltage	$R_L = 10\text{ k}\Omega$	2.6			V
V_{OL}	Low-level digital output voltage	$R_L = 10\text{ k}\Omega$			0.4	V
	Output voltage rise time	$R_L = 10\text{ k}\Omega$, $C_L = 20\text{ pF}$, Includes propagation delay		5	10	ns
ANALOG OUTPUT DYNAMIC PERFORMANCE						
$t_{s(FS)}$	Output settling time, full scale	$R_L = 10\text{ k}\Omega$, $C_L = 100\text{ pF}$, See ⁽⁵⁾	Fast	1	3	μs
			Slow	3	7	
$t_{s(CC)}$	Output settling time, code to code	$R_L = 10\text{ k}\Omega$, $C_L = 100\text{ pF}$, See ⁽⁶⁾	Fast	0.5	1	μs
			Slow	1	2	
SR	Slew rate	$R_L = 10\text{ k}\Omega$, $C_L = 100\text{ pF}$, See ⁽⁷⁾	Fast	4	10	V/ μs
			Slow	1	3	
	Glitch energy	See ⁽⁸⁾		4		nV-s
	Channel crosstalk	10 kHz sine, 4 V_{PP}		90		dB

- (5) Settling time is the time for the output signal to remain within ± 0.5 LSB of the final measured value for a digital input code change of 0x080 to 0xFFF and 0xFFF to 0x080, respectively. Assured by design; not tested.
- (6) Settling time is the time for the output signal to remain within ± 0.5 LSB of the final measured value for a digital input code change of one count. The max time applies to code changes near zero scale or full scale. Assured by design; not tested.
- (7) Slew rate determines the time it takes for a change of the DAC output from 10% to 90% full-scale voltage.
- (8) Code transition: TLV5630 - 0x7FF to 0x800, TLV5631 - 0x7FC to 0x800, TLV5632 - 0x7F0 to 0x800.

DIGITAL INPUT TIMING REQUIREMENTS

PARAMETER		MIN	TYP	MAX	UNIT
$t_{su(FS-CK)}$	Setup time, FS low before next negative SCLK edge	8			ns
$t_{su(C16-FS)}$	Setup time, 16 th negative edge after FS low on which bit D0 is sampled before rising edge of FS. μC mode only	10			ns
$t_{su(FS-C17)}$	μC mode, setup time, FS high before 17 th negative edge of SCLK.	10			ns
$t_{su(CK-FS)}$	DSP mode, setup time, SCLK low before FS low.	5			ns
$t_{wL(LDAC)}$	$\overline{\text{LDAC}}$ duration low	10			ns
t_{wH}	SCLK pulse duration high	16			ns
t_{wL}	SCLK pulse duration low	16			ns
$t_{su(FS-CK)}$	Setup time, FS low before first negative SCLK edge	8			ns
$t_{su(D)}$	Setup time, data ready before SCLK falling edge	8			ns
$t_{h(D)}$	Hold time, data held valid after SCLK falling edge	5			ns
$t_{wH(FS)}$	FS duration high	10			ns
$t_{wL(FS)}$	FS duration low	10			ns
t_s	Settling time	See AC specs			

TYPICAL CHARACTERISTICS

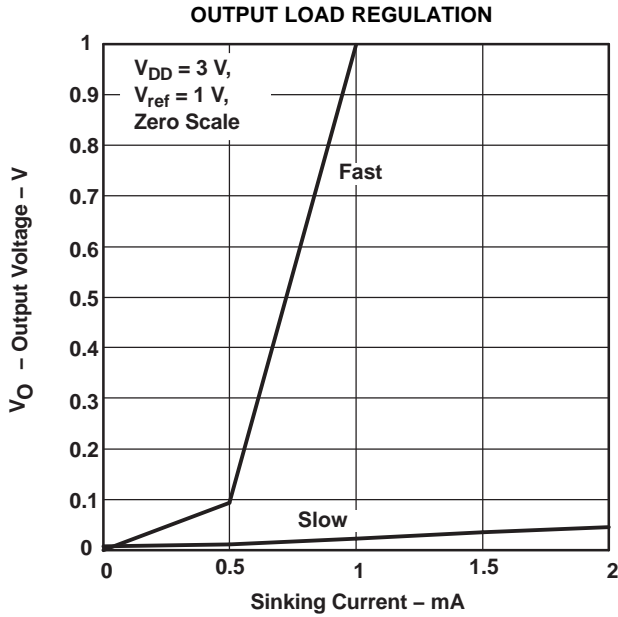


Figure 1.

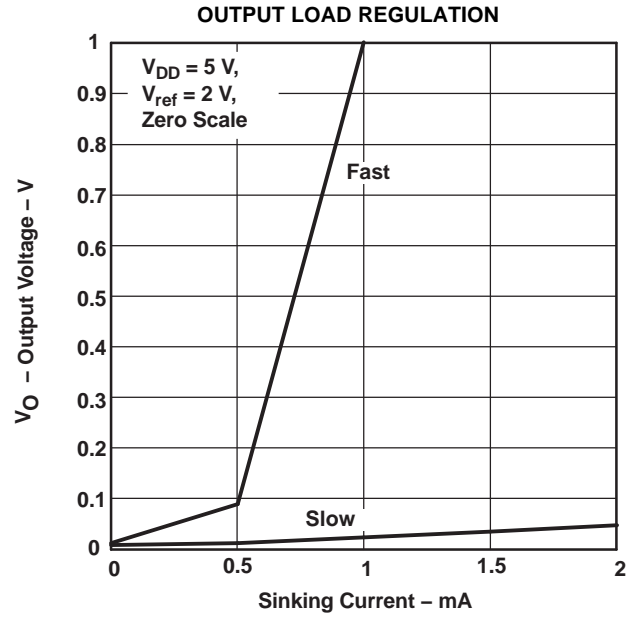


Figure 2.

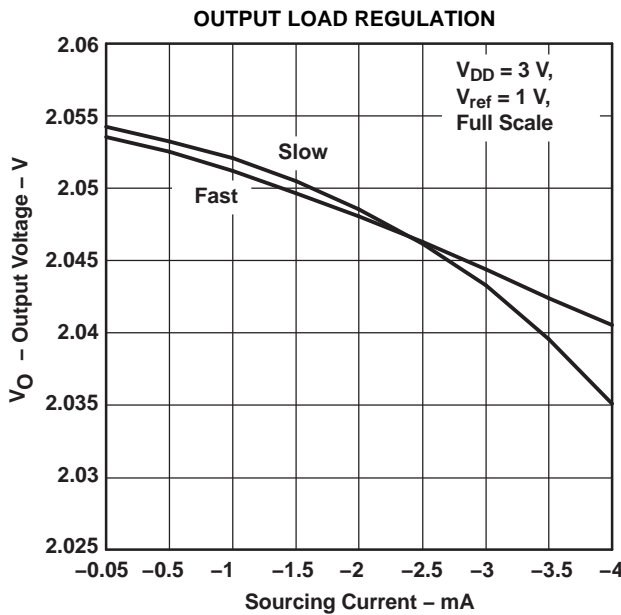


Figure 3.

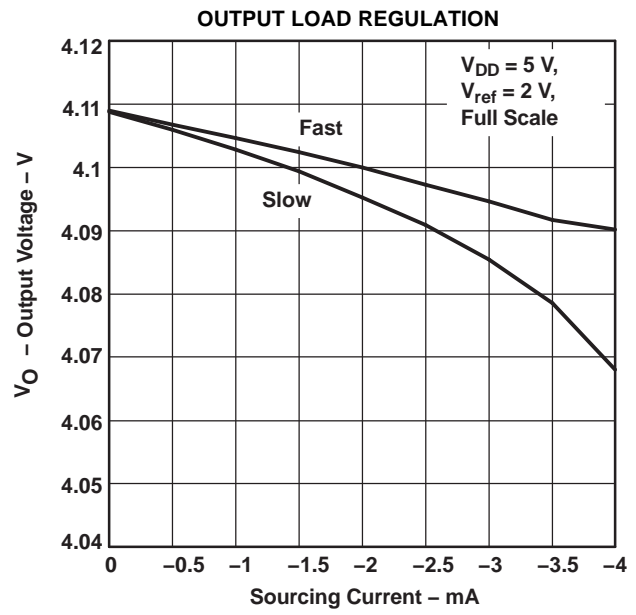


Figure 4.

TYPICAL CHARACTERISTICS (continued)

**TLV5630 INTEGRAL NONLINEARITY
vs
CODE**

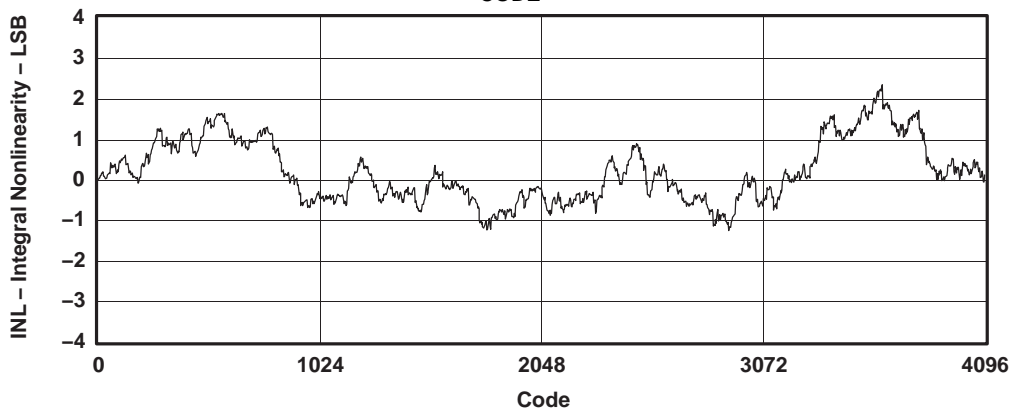


Figure 5.

**TLV5630 DIFFERENTIAL NONLINEARITY
vs
CODE**

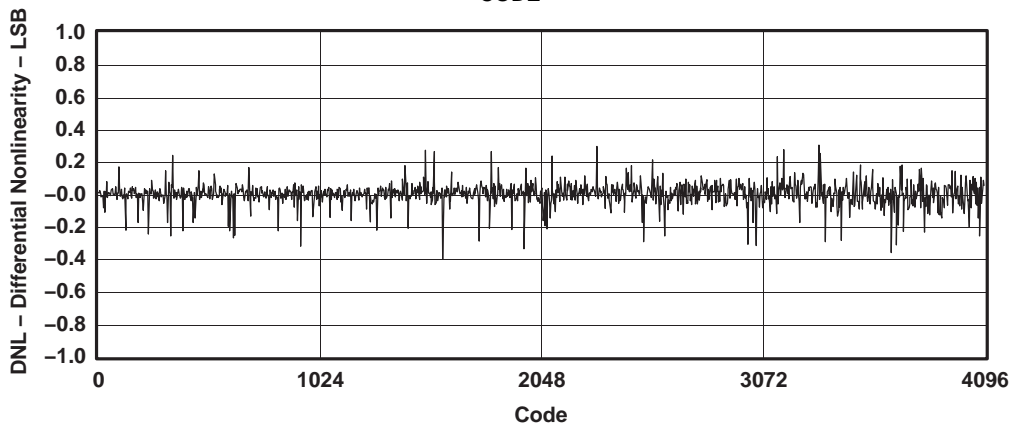


Figure 6.

**TLV5631 INTEGRAL NONLINEARITY
vs
CODE**

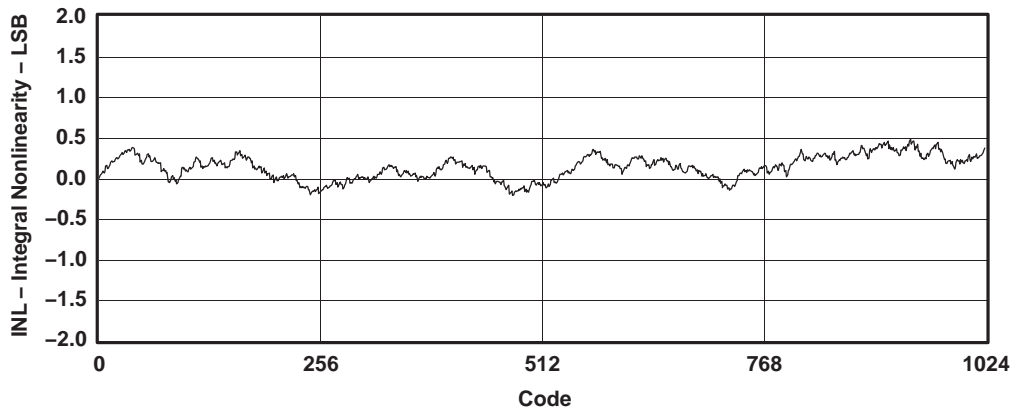


Figure 7.

TYPICAL CHARACTERISTICS (continued)

TLV5631 DIFFERENTIAL NONLINEARITY
vs
CODE

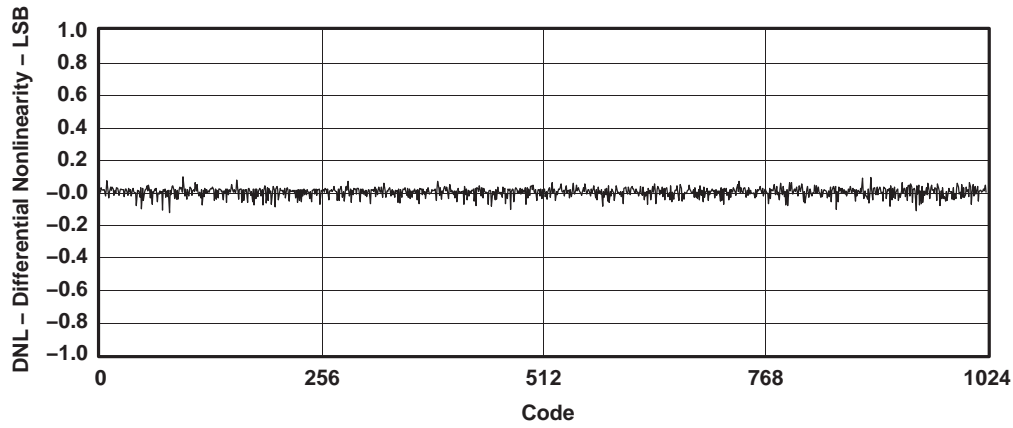


Figure 8.

TLV5632 INTEGRAL NONLINEARITY
vs
CODE

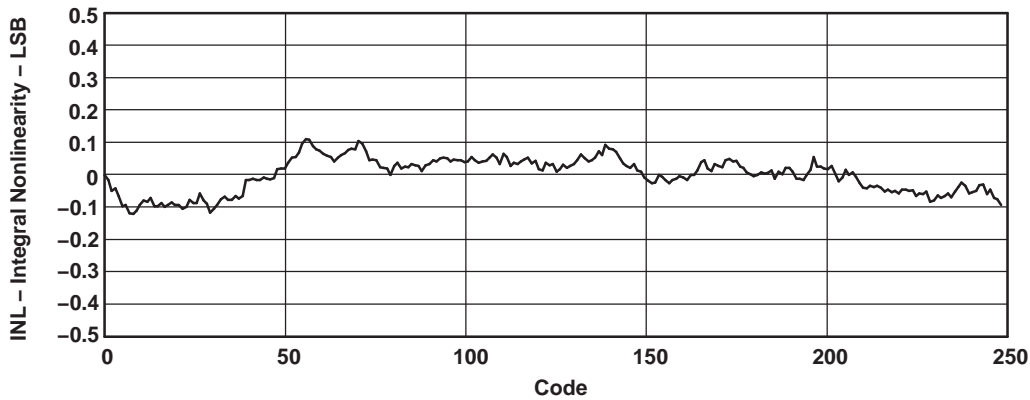


Figure 9.

TLV5632 DIFFERENTIAL NONLINEARITY
vs
CODE

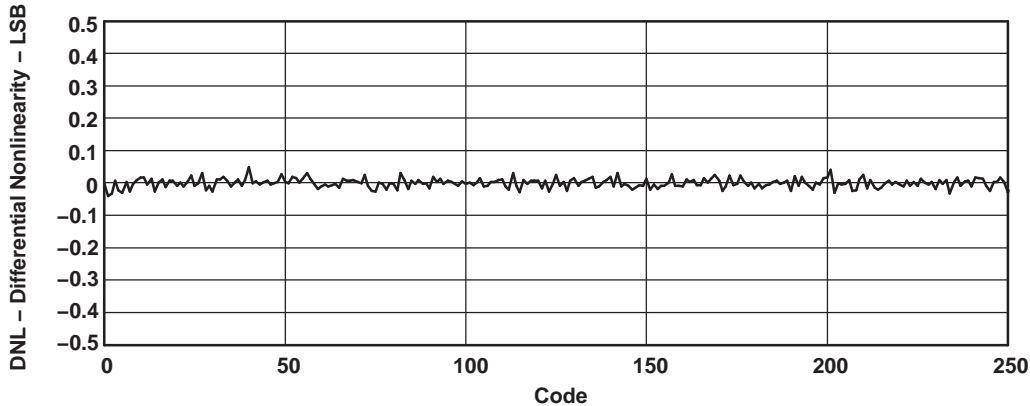
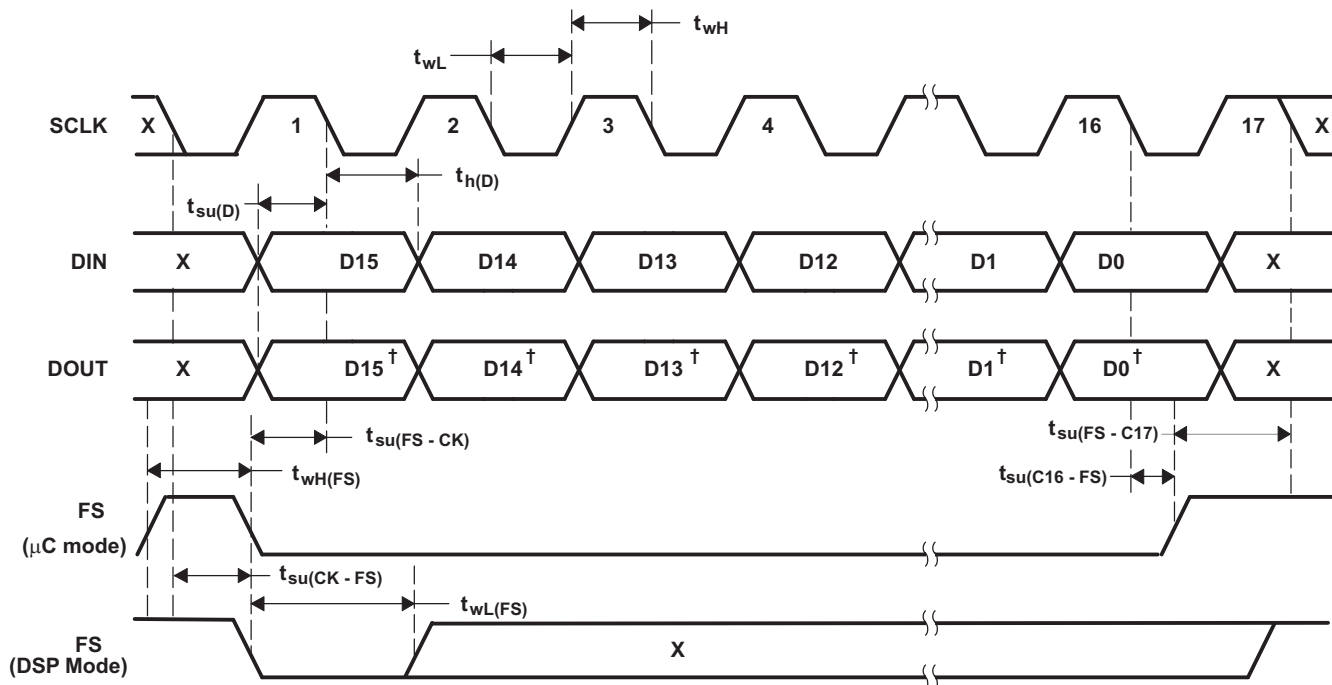


Figure 10.

PARAMETER MEASUREMENT INFORMATION



† Previous input data

Figure 11. Serial Interface Timing

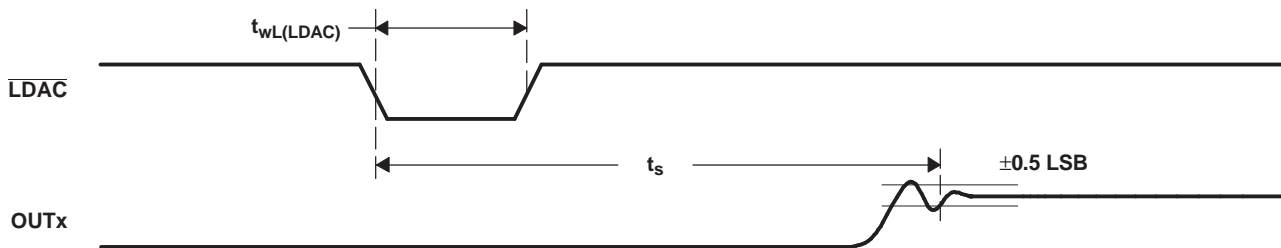


Figure 12. Output Timing

APPLICATION INFORMATION

GENERAL FUNCTION

The TLV5630/31/32 are 8-channel, single-supply DACs, based on a resistor string architecture. They consist of a serial interface, a speed and power-down control logic, an internal reference, a resistor string, and a rail-to-rail output buffer.

The output voltage (full scale determined by reference) for each channel is given by:

$$2REF \frac{CODE}{0x1000} [V]$$

where REF is the reference voltage and CODE is the digital input value. The input range is 0x000 to 0xFFF for the TLV5630, 0x000 to 0xFFC for the TLV5631, and 0x000 to 0xFF0 for the TLV5632.

POWER ON RESET (POR)

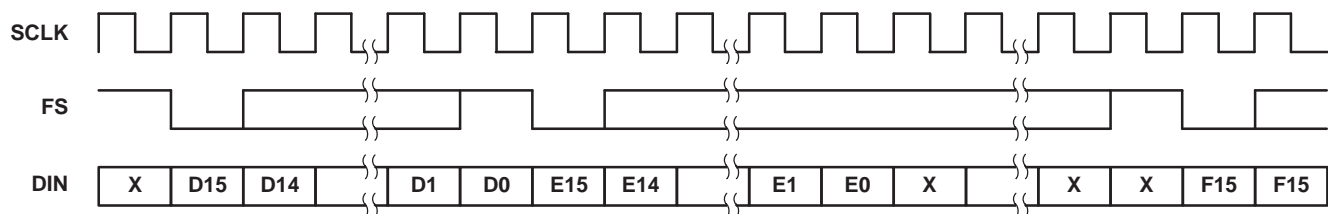
The built-in power-on-reset circuit controls the output voltage after power up. On power up, all latches including the preset register are set to zero, but the DAC outputs are only set to zero if the LDAC is low. The DAC outputs may have a small offset error produced by the output buffer. The registers remains at zero until a valid write sequence is made to the DAC, changing the DAC register data. This is useful in applications where it is important to know the state of the outputs of the DAC after power up. All digital inputs must be logic low until the digital and analog supplies are applied. Any logic high voltages applied to the logic input pins when power is not applied to AV_{DD} and DV_{DD}, may power the device logic circuit through the overvoltage protection diode causing an undesired operation. When separate analog (AV_{DD}) and digital (DV_{DD}) supplies are used, AV_{DD} must come up first before DV_{DD}, to ensure that the power-on-reset circuit operates correctly.

SERIAL INTERFACE

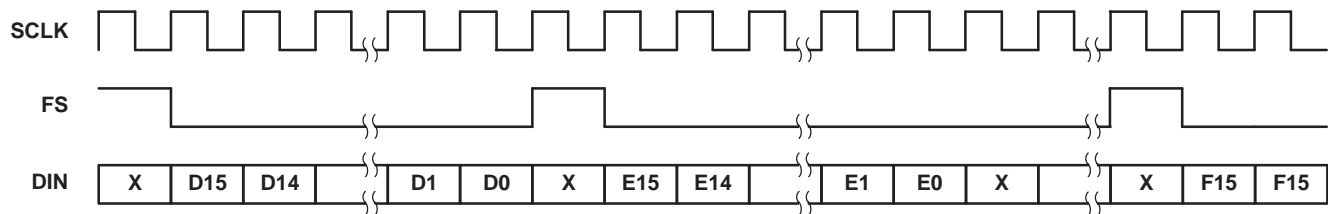
A falling edge of FS starts shifting the data on DIN starting with the MSB to the internal register on the falling edges of SCLK. After 16 bits have been transferred, the content of the shift register is moved to one of the DAC holding registers, depending on the address bits within the data word. A logic 0 on the LDAC pin is required to transfer the content of the DAC holding register to the DAC latch and to update the DAC outputs. LDAC is an asynchronous input. It can be held low if a simultaneous update of all eight channels is not needed.

For daisy-chaining, DOUT provides the data sampled on DIN with a delay of 16 clock cycles.

DSP Mode:



μC Mode:



Difference between DSP mode (MODE = N.C. or 0) and μ C (MODE = 1) mode:

- In μ C mode, FS needs to be held low until all 16 data bits have been transferred. If FS is driven high before the 16th falling clock edge, the data transfer is cancelled. The DAC is updated after a rising edge on FS.
- In DSP mode, FS needs to stay low for 20 ns and can go high before the 16th falling clock edge.
- In DSP mode there needs to be one falling SCLK edge before FS goes low to start the write (DIN) cycle. This extra falling SCLK edge has to happen at least 5 ns before FS goes low, $t_{su(CK-FS)} \geq 5$ ns.
- In μ C mode, the extra falling SCLK edge is not necessary. However, if it does happen, the extra negative SCLK edge is not allowed to occur within 10 ns after FS goes HIGH to finish the WRITE cycle ($t_{su(FS-C17)}$).

SERIAL CLOCK FREQUENCY AND UPDATE RATE

The maximum serial clock frequency is given by:

$$f_{sclkmax} = \frac{1}{t_{whmin} + t_{wlmin}} = 30 \text{ MHz}$$

The maximum update rate is:

$$f_{updatemax} = \frac{1}{16(t_{whmin} + t_{wlmin})} = 1.95 \text{ MHz}$$

Note, that the maximum update rate is just a theoretical value for the serial interface, as the settling time of the DAC has to be considered also.

DATA FORMAT

The 16-bit data word consists of two parts:

- Address bits (D15...D12)
- Data bits (D11...D0)

D15	D14	D13	D12	D11	D10	D9	D8	D7	D6	D5	D4	D3	D2	D1	D0
A3	A2	A1	A0	Data											

Ax: Address bits. See table.

REGISTER MAP

A3	A2	A1	A0	FUNCTION
0	0	0	0	DAC A
0	0	0	1	DAC B
0	0	1	0	DAC C
0	0	1	1	DAC D
0	1	0	0	DAC E
0	1	0	1	DAC F
0	1	1	0	DAC G
0	1	1	1	DAC H
1	0	0	0	CTRL0
1	0	0	1	CTRL1
1	0	1	0	Preset
1	0	1	1	Reserved
1	1	0	0	DAC A and \bar{B}
1	1	0	1	DAC C and \bar{D}
1	1	1	0	DAC E and \bar{F}
1	1	1	1	DAC G and \bar{H}

DAC A-H AND TWO-CHANNEL REGISTERS

Writing to DAC A-H sets the output voltage of channel A-H. It is possible to automatically generate the complement of one channel by writing to one of the four two-channel registers (DAC A and \bar{B} etc.).

The TLV5630 decodes all 12 data bits. The TLV5631 decodes D11 to D2 (D1 and D0 are ignored). The TLV5632 decodes D11 to D4 (D3 to D0 are ignored).

PRESET

The outputs of the DAC channels can be driven simultaneously to a predefined value stored in the preset register by driving the \overline{PRE} input pin low and asserting the \overline{LDAC} input pin. The preset register is cleared (set to zero) by the POR circuit after power up. Therefore, it must be written with a predefined value before asserting the \overline{PRE} pin low, unless zero is the desired preset value. The \overline{PRE} input is asynchronous to the clock.

CTRL0

BIT	D11	D10	D9	D8	D7	D6	D5	D4	D3	D2	D1	D0
Function	X	X	X	X	X	X	X	PD	DO	R1	R0	IM
Default	X	X	X	X	X	X	X	0	0	0	0	0

- PD : Full device power down 0 = normal 1 = power down
 DO : DOUT enable 0 = disabled 1 = enabled
 R1:0 : Reference select bits 0 = external 1 = external, 2 = internal 1 V, 3 = internal 2 V
 IM : Input mode 0 = straight binary 1 = twos complement
 X : Reserved

If DOUT is enabled, the data input on DIN is output on DOUT with a 16-cycle delay. That makes it possible to daisy-chain multiple DACs on one serial bus.

CTRL1

BIT	D11	D10	D9	D8	D7	D6	D5	D4	D3	D2	D1	D0
Function	X	X	X	X	P _{GH}	P _{EF}	P _{CD}	P _{AB}	S _{GH}	S _{EF}	S _{CD}	S _{AB}
Default	X	X	X	X	0	0	0	0	0	0	0	0

- P_{XY} : Power Down DAC_{XY} 0 = normal 1 = power down
 S_{XY} : Speed DAC_{XY} 0 = slow 1 = fast
 XY : DAC pair AB, CD, EF or GH

In power-down mode, the amplifiers of the selected DAC pair are disabled and the total power consumption of the device is significantly reduced. Power-down mode of a specific DAC pair can be selected by setting the P_{XY} bit within the data word to 1.

There are two settling time modes: fast and slow. Fast mode of a DAC pair is selected by setting S_{XY} to 1 and slow mode is selected by setting S_{XY} to 0.

REFERENCE

The DAC reference can be sourced internally or externally by programming bits D2 (R1) and D1 (R0) of the CTRL0 register (address = 08h). If an external source of reference is applied to the REF pin, the device must be configured to accept the external reference source by setting R1 and R0 to 00 or 01. If R1 and R0 is set to select for internal reference, a voltage of 1.024 V (if R1 and R0 = 10) or 2.048 V (if R1 and R0 = 11) is available. The internal reference can source up to 1 mA, therefore, it can be used as an external system reference. A decoupling capacitor must be connected to the REF pin if internal reference is selected to ensure output stability. A 1 μ F to 10 μ F capacitor in parallel to a 100 pF capacitor should be sufficient, see [Figure 13](#).

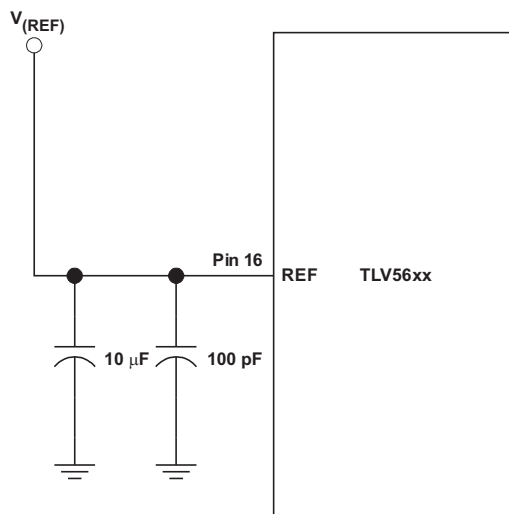


Figure 13. Reference Pin Decoupling Connection

BUFFERED AMPLIFIER

The DAC outputs are buffered by an amplifier with a gain of two, which are configurable as Class A (fast mode) or Class AB (slow or low-power mode). The output buffers have near rail-to-rail output with short-circuit protection, and can reliably drive a 2-k Ω load with a 100-pF load capacitance.

PACKAGING INFORMATION

Orderable part number	Status (1)	Material type (2)	Package Pins	Package qty Carrier	RoHS (3)	Lead finish/ Ball material (4)	MSL rating/ Peak reflow (5)	Op temp (°C)	Part marking (6)
TLV5630IDW	Active	Production	SOIC (DW) 20	25 TUBE	Yes	NIPDAU	Level-1-260C-UNLIM	-40 to 85	TLV5630I
TLV5630IPW	Active	Production	TSSOP (PW) 20	70 TUBE	Yes	NIPDAU	Level-1-260C-UNLIM	-40 to 85	TY5630
TLV5630IPWR	Active	Production	TSSOP (PW) 20	2000 LARGE T&R	Yes	NIPDAU	Level-1-260C-UNLIM	-40 to 85	TY5630
TLV5631IDW	Active	Production	SOIC (DW) 20	25 TUBE	Yes	NIPDAU	Level-1-260C-UNLIM	-40 to 85	TLV5631I
TLV5631IDWR	Active	Production	SOIC (DW) 20	2000 LARGE T&R	Yes	NIPDAU	Level-1-260C-UNLIM	-40 to 85	TLV5631I
TLV5631IPW	Active	Production	TSSOP (PW) 20	70 TUBE	Yes	NIPDAU	Level-1-260C-UNLIM	-40 to 85	TY5631
TLV5631IPWR	Active	Production	TSSOP (PW) 20	2000 LARGE T&R	Yes	NIPDAU	Level-1-260C-UNLIM	-40 to 85	TY5631
TLV5631IPWRG4	Active	Production	TSSOP (PW) 20	2000 LARGE T&R	Yes	NIPDAU	Level-1-260C-UNLIM	-40 to 85	TY5631
TLV5632IDW	Active	Production	SOIC (DW) 20	25 TUBE	Yes	NIPDAU	Level-1-260C-UNLIM	-40 to 85	TLV5632I
TLV5632IDWR	Active	Production	SOIC (DW) 20	2000 LARGE T&R	Yes	NIPDAU	Level-1-260C-UNLIM	-40 to 85	TLV5632I
TLV5632IPW	Active	Production	TSSOP (PW) 20	70 TUBE	Yes	NIPDAU	Level-1-260C-UNLIM	-40 to 85	TY5632
TLV5632IPWR	Active	Production	TSSOP (PW) 20	2000 LARGE T&R	Yes	NIPDAU	Level-1-260C-UNLIM	-40 to 85	TY5632

⁽¹⁾ **Status:** For more details on status, see our [product life cycle](#).

⁽²⁾ **Material type:** When designated, preproduction parts are prototypes/experimental devices, and are not yet approved or released for full production. Testing and final process, including without limitation quality assurance, reliability performance testing, and/or process qualification, may not yet be complete, and this item is subject to further changes or possible discontinuation. If available for ordering, purchases will be subject to an additional waiver at checkout, and are intended for early internal evaluation purposes only. These items are sold without warranties of any kind.

⁽³⁾ **RoHS values:** Yes, No, RoHS Exempt. See the [TI RoHS Statement](#) for additional information and value definition.

⁽⁴⁾ **Lead finish/Ball material:** Parts may have multiple material finish options. Finish options are separated by a vertical ruled line. Lead finish/Ball material values may wrap to two lines if the finish value exceeds the maximum column width.

⁽⁵⁾ **MSL rating/Peak reflow:** The moisture sensitivity level ratings and peak solder (reflow) temperatures. In the event that a part has multiple moisture sensitivity ratings, only the lowest level per JEDEC standards is shown. Refer to the shipping label for the actual reflow temperature that will be used to mount the part to the printed circuit board.

⁽⁶⁾ **Part marking:** There may be an additional marking, which relates to the logo, the lot trace code information, or the environmental category of the part.

Multiple part markings will be inside parentheses. Only one part marking contained in parentheses and separated by a "~" will appear on a part. If a line is indented then it is a continuation of the previous line and the two combined represent the entire part marking for that device.

Important Information and Disclaimer: The information provided on this page represents TI's knowledge and belief as of the date that it is provided. TI bases its knowledge and belief on information provided by third parties, and makes no representation or warranty as to the accuracy of such information. Efforts are underway to better integrate information from third parties. TI has taken and continues to take reasonable steps to provide representative and accurate information but may not have conducted destructive testing or chemical analysis on incoming materials and chemicals. TI and TI suppliers consider certain information to be proprietary, and thus CAS numbers and other limited information may not be available for release.

In no event shall TI's liability arising out of such information exceed the total purchase price of the TI part(s) at issue in this document sold by TI to Customer on an annual basis.

TAPE AND REEL INFORMATION

QUADRANT ASSIGNMENTS FOR PIN 1 ORIENTATION IN TAPE


*All dimensions are nominal

Device	Package Type	Package Drawing	Pins	SPQ	Reel Diameter (mm)	Reel Width W1 (mm)	A0 (mm)	B0 (mm)	K0 (mm)	P1 (mm)	W (mm)	Pin1 Quadrant
TLV5630IPWR	TSSOP	PW	20	2000	330.0	16.4	6.95	7.1	1.6	8.0	16.0	Q1
TLV5631IDWR	SOIC	DW	20	2000	330.0	24.4	10.8	13.3	2.7	12.0	24.0	Q1
TLV5631IPWR	TSSOP	PW	20	2000	330.0	16.4	6.95	7.1	1.6	8.0	16.0	Q1
TLV5632IDWR	SOIC	DW	20	2000	330.0	24.4	10.8	13.3	2.7	12.0	24.0	Q1
TLV5632IPWR	TSSOP	PW	20	2000	330.0	16.4	6.95	7.1	1.6	8.0	16.0	Q1

TAPE AND REEL BOX DIMENSIONS


*All dimensions are nominal

Device	Package Type	Package Drawing	Pins	SPQ	Length (mm)	Width (mm)	Height (mm)
TLV5630IPWR	TSSOP	PW	20	2000	350.0	350.0	43.0
TLV5631IDWR	SOIC	DW	20	2000	350.0	350.0	43.0
TLV5631IPWR	TSSOP	PW	20	2000	350.0	350.0	43.0
TLV5632IDWR	SOIC	DW	20	2000	350.0	350.0	43.0
TLV5632IPWR	TSSOP	PW	20	2000	350.0	350.0	43.0

TUBE


*All dimensions are nominal

Device	Package Name	Package Type	Pins	SPQ	L (mm)	W (mm)	T (μm)	B (mm)
TLV5630IDW	DW	SOIC	20	25	506.98	12.7	4826	6.6
TLV5630IPW	PW	TSSOP	20	70	530	10.2	3600	3.5
TLV5630IPWG4	PW	TSSOP	20	70	530	10.2	3600	3.5
TLV5631IDW	DW	SOIC	20	25	506.98	12.7	4826	6.6
TLV5631IDWG4	DW	SOIC	20	25	506.98	12.7	4826	6.6
TLV5631IPW	PW	TSSOP	20	70	530	10.2	3600	3.5
TLV5631IPWG4	PW	TSSOP	20	70	530	10.2	3600	3.5
TLV5632IDW	DW	SOIC	20	25	506.98	12.7	4826	6.6
TLV5632IPW	PW	TSSOP	20	70	530	10.2	3600	3.5

PW0020A



PACKAGE OUTLINE

TSSOP - 1.2 mm max height

SMALL OUTLINE PACKAGE



4220206/A 02/2017

NOTES:

1. All linear dimensions are in millimeters. Any dimensions in parenthesis are for reference only. Dimensioning and tolerancing per ASME Y14.5M.
2. This drawing is subject to change without notice.
3. This dimension does not include mold flash, protrusions, or gate burrs. Mold flash, protrusions, or gate burrs shall not exceed 0.15 mm per side.
4. This dimension does not include interlead flash. Interlead flash shall not exceed 0.25 mm per side.
5. Reference JEDEC registration MO-153.

EXAMPLE BOARD LAYOUT

PW0020A

TSSOP - 1.2 mm max height

SMALL OUTLINE PACKAGE



LAND PATTERN EXAMPLE
EXPOSED METAL SHOWN
SCALE: 10X



SOLDER MASK DETAILS

4220206/A 02/2017

NOTES: (continued)

- 6. Publication IPC-7351 may have alternate designs.
- 7. Solder mask tolerances between and around signal pads can vary based on board fabrication site.

EXAMPLE STENCIL DESIGN

PW0020A

TSSOP - 1.2 mm max height

SMALL OUTLINE PACKAGE



SOLDER PASTE EXAMPLE
BASED ON 0.125 mm THICK STENCIL
SCALE: 10X

4220206/A 02/2017

NOTES: (continued)

8. Laser cutting apertures with trapezoidal walls and rounded corners may offer better paste release. IPC-7525 may have alternate design recommendations.
9. Board assembly site may have different recommendations for stencil design.

EXAMPLE BOARD LAYOUT

DW0020A

SOIC - 2.65 mm max height

SOIC



LAND PATTERN EXAMPLE
SCALE:6X



SOLDER MASK DETAILS

4220724/A 05/2016

NOTES: (continued)

- 6. Publication IPC-7351 may have alternate designs.
- 7. Solder mask tolerances between and around signal pads can vary based on board fabrication site.

EXAMPLE STENCIL DESIGN

DW0020A

SOIC - 2.65 mm max height

SOIC



SOLDER PASTE EXAMPLE
BASED ON 0.125 mm THICK STENCIL
SCALE:6X

4220724/A 05/2016

NOTES: (continued)

8. Laser cutting apertures with trapezoidal walls and rounded corners may offer better paste release. IPC-7525 may have alternate design recommendations.
9. Board assembly site may have different recommendations for stencil design.

IMPORTANT NOTICE AND DISCLAIMER

TI PROVIDES TECHNICAL AND RELIABILITY DATA (INCLUDING DATA SHEETS), DESIGN RESOURCES (INCLUDING REFERENCE DESIGNS), APPLICATION OR OTHER DESIGN ADVICE, WEB TOOLS, SAFETY INFORMATION, AND OTHER RESOURCES "AS IS" AND WITH ALL FAULTS, AND DISCLAIMS ALL WARRANTIES, EXPRESS AND IMPLIED, INCLUDING WITHOUT LIMITATION ANY IMPLIED WARRANTIES OF MERCHANTABILITY, FITNESS FOR A PARTICULAR PURPOSE OR NON-INFRINGEMENT OF THIRD PARTY INTELLECTUAL PROPERTY RIGHTS.

These resources are intended for skilled developers designing with TI products. You are solely responsible for (1) selecting the appropriate TI products for your application, (2) designing, validating and testing your application, and (3) ensuring your application meets applicable standards, and any other safety, security, regulatory or other requirements.

These resources are subject to change without notice. TI grants you permission to use these resources only for development of an application that uses the TI products described in the resource. Other reproduction and display of these resources is prohibited. No license is granted to any other TI intellectual property right or to any third party intellectual property right. TI disclaims responsibility for, and you will fully indemnify TI and its representatives against, any claims, damages, costs, losses, and liabilities arising out of your use of these resources.

TI's products are provided subject to [TI's Terms of Sale](#) or other applicable terms available either on [ti.com](https://www.ti.com) or provided in conjunction with such TI products. TI's provision of these resources does not expand or otherwise alter TI's applicable warranties or warranty disclaimers for TI products.

TI objects to and rejects any additional or different terms you may have proposed.

Mailing Address: Texas Instruments, Post Office Box 655303, Dallas, Texas 75265

Copyright © 2025, Texas Instruments Incorporated