

# 低噪声、900kHz、轨至轨输入/输出 (RRIO)、 高精度运算放大器 零漂移系列

 查询样品: [OPA378](#), [OPA2378](#)

## 特性

- 低噪声
  - $0.4\mu\text{V}_{\text{pp}}$ , 0.1Hz 至 10Hz
  - $20\text{nV}/\sqrt{\text{Hz}}$  (在1kHz 频率下)
- 零漂移系列
  - 低偏移电压:  $20\mu\text{V}$
  - 低失调漂移:  $0.1\mu\text{V}/^\circ\text{C}$
- 静态电流:  $125\mu\text{A}$
- 增益带宽: **900kHz**
- 轨至轨输入/输出
- EMI 滤波
- 电源电压: **2.2 V 至 5.5V**
- **microSIZE** 封装: **SC70** 和 **SOT23**

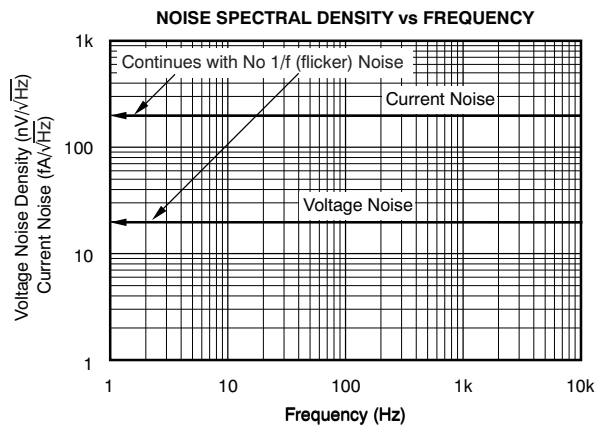
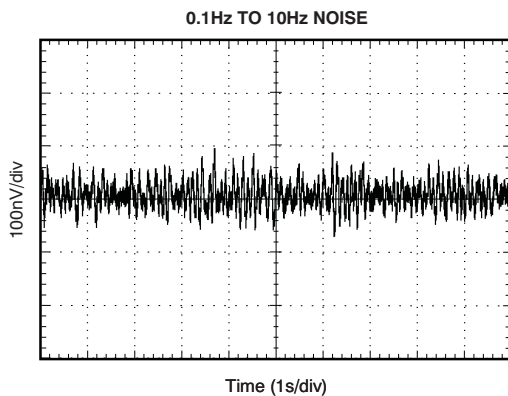
## 应用

- 便携式医疗设备
  - 血糖仪
  - 血氧测定
  - 心率监测仪
- 衡器
- 电池供电型仪器
- 热电堆模块
- 手持测试设备
- 传感器信号调节

## 说明

OPA378 和 OPA2378 代表了一个新的零漂移、microPOWER™ 运算放大器系列，它们采用了一种专有的自动校准技术，旨在提供最小的输入失调电压 ( $20\mu\text{V}$ ) 和失调电压漂移 ( $0.1\mu\text{V}/^\circ\text{C}$ )。由于兼具低输入电压噪声、高增益带宽 (900kHz) 和低功耗 (最大值为  $150\mu\text{A}$ )，因而使得这些器件能够实现面向低功耗高精度应用的最优性能。此外，卓越的 PSRR 性能与 2.2V 至 5.5V 的宽输入电源范围及轨至轨输入和输出相结合，还使其成为直接从电池供电运行 (不进行稳压) 的单电源应用的绝佳选择。

OPA378 (单通道器件) 采用 *microSIZE* SC70-5 和 SOT23-5 封装。OPA2378 (双通道器件) 则可提供 SOT23-8 封装。所有器件版本的规定工作温度范围均为  $-40^\circ\text{C}$  至  $+125^\circ\text{C}$



Please be aware that an important notice concerning availability, standard warranty, and use in critical applications of Texas Instruments semiconductor products and disclaimers thereto appears at the end of this data sheet.

microPOWER is a trademark of Texas Instruments Incorporated.  
All other trademarks are the property of their respective owners.



This integrated circuit can be damaged by ESD. Texas Instruments recommends that all integrated circuits be handled with appropriate precautions. Failure to observe proper handling and installation procedures can cause damage.

ESD damage can range from subtle performance degradation to complete device failure. Precision integrated circuits may be more susceptible to damage because very small parametric changes could cause the device not to meet its published specifications.

**PACKAGE INFORMATION<sup>(1)</sup>**

| PRODUCT | PACKAGE-LEAD | PACKAGE DESIGNATOR | PACKAGE MARKING |
|---------|--------------|--------------------|-----------------|
| OPA378  | SOT23-5      | DBV                | OAZI            |
| OPA378  | SC70-5       | DCK                | BTS             |
| OPA2378 | SOT23-8      | DCN                | OCAI            |

(1) For the most current package and ordering information, see the Package Option Addendum at the end of this document, or see the TI web site at [www.ti.com](http://www.ti.com).

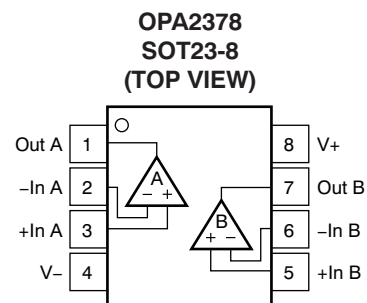
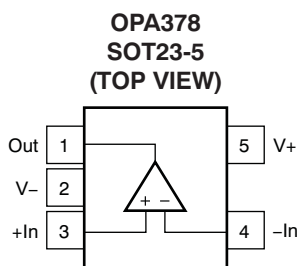
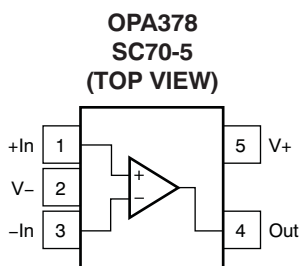
**ABSOLUTE MAXIMUM RATINGS<sup>(1)</sup>**

Over operating free-air temperature range (unless otherwise noted).

|                                     |                            | OPA378, OPA2378                          | UNIT |
|-------------------------------------|----------------------------|--|------|
| Supply Voltage, $V_S = (V+) - (V-)$ |                            | +7                                       | V    |
| Signal Input Terminals              | Voltage <sup>(2)</sup>     | $(V-) - 0.3 \leq V_{IN} \leq (V+) + 0.3$ | V    |
|                                     | Current <sup>(2)</sup>     | $\pm 10$                                 | mA   |
| Output Short-Circuit <sup>(3)</sup> |                            | Continuous                               |      |
| Operating Temperature, $T_A$        |                            | -55 to +150                              | °C   |
| Storage Temperature, $T_A$          |                            | -65 to +150                              | °C   |
| Junction Temperature, $T_J$         |                            | +150                                     | °C   |
| ESD Ratings                         | Human Body Model (HBM)     | 4000                                     | V    |
|                                     | Charged Device Model (CDM) | 1000                                     | V    |
|                                     | Machine Model (MM)         | 200                                      | V    |

- (1) Stresses above these ratings may cause permanent damage. Exposure to absolute maximum conditions for extended periods may degrade device reliability. These are stress ratings only, and functional operation of the device at these or any other conditions beyond those specified is not supported.
- (2) Input terminals are diode-clamped to the power-supply rails. Input signals that can swing more than 0.3V beyond the supply rails should be current limited to 10mA or less.
- (3) Short-circuit to ground, one amplifier per package.

**PIN CONFIGURATIONS**



**ELECTRICAL CHARACTERISTICS:  $V_S = +2.2V$  to  $+5.5V$** 
**Boldface** limits apply over the specified temperature range,  $T_A = -40^\circ\text{C}$  to  $+125^\circ\text{C}$ .

 At  $T_A = +25^\circ\text{C}$ ,  $R_L = 10\text{k}\Omega$  connected to  $V_S/2$ ,  $V_{CM} = V_S/2$ , and  $V_{OUT} = V_S/2$ , unless otherwise noted.

| PARAMETER                                   | TEST CONDITIONS | OPA378, OPA2378   |               |                           | UNIT                         |
|---|-----------------|---|---------------|---------------------------|------------------------------|
|   |                 | MIN   | TYP           | MAX                       |                              |
| <b>OFFSET VOLTAGE</b>                       |                 |   |               |                           |                              |
| Input Offset Voltage, OPA378                | $V_{OS}$        |   | 20            | 50                        | $\mu\text{V}$                |
| <b>vs Temperature</b>                       | $dV_{OS}/dT$    |   | <b>0.1</b>    | <b>0.25</b>               | $\mu\text{V}/^\circ\text{C}$ |
| Input Offset Voltage, OPA2378               |                 |   | 20            | 70                        | $\mu\text{V}$                |
| <b>vs Temperature</b>                       | $dV_{OS}/dT$    |   | <b>0.25</b>   | <b>0.4</b>                | $\mu\text{V}/^\circ\text{C}$ |
|   |                 | <b><math>-40^\circ\text{C}</math> to <math>+125^\circ\text{C}</math></b>                                |               |                           |                              |
|   |                 | <b><math>-40^\circ\text{C}</math> to <math>+85^\circ\text{C}</math></b>                                 | 0.15          | 0.25                      | $\mu\text{V}/^\circ\text{C}$ |
| vs Power Supply, OPA378                     | PSRR            | $V_{CM} = 0V$ , $V_S = +2.2V$ to $+5.5V$  | 1.5           | 5                         | $\mu\text{V}/V$              |
| <b>over Temperature</b>                     |                 | <b><math>V_{CM} = 0V</math>, <math>V_S = +2.2V</math> to <math>+5.5V</math></b>                         | <b>3</b>      | <b>8</b>                  | $\mu\text{V}/V$              |
| vs Power Supply, OPA2378                    |                 | $V_{CM} = 0V$ , $V_S = +2.2V$ to $+5.5V$  |               | 10                        | $\mu\text{V}/V$              |
| <b>over Temperature</b>                     |                 | <b><math>V_{CM} = 0V</math>, <math>V_S = +2.2V</math> to <math>+5.5V</math></b>                         | <b>3</b>      | <b>13</b>                 | $\mu\text{V}/V$              |
| Channel Separation (Dual Version)           |                 | At dc   | 135           |                           | dB                           |
| <b>INPUT BIAS CURRENT</b>                   |                 |   |               |                           |                              |
| Input Bias Current, OPA378                  | $I_B$           |   | $\pm 150$     | $\pm 550$                 | pA                           |
| Input Bias Current, OPA2378                 |                 |   | $\pm 150$     | $\pm 670$                 | pA                           |
| <b>over Temperature, OPA378 and OPA2378</b> |                 |   |               | <b><math>\pm 2</math></b> | <b>nA</b>                    |
| Input Offset Current, OPA378                | $I_{OS}$        |   | $\pm 0.3$     | $\pm 1.1$                 | nA                           |
| Input Offset Current, OPA2378               |                 |   | $\pm 0.3$     | $\pm 1.34$                | nA                           |
| <b>NOISE</b>                                |                 |   |               |                           |                              |
| Input Voltage Noise                         | $e_n$           | $f = 0.1\text{Hz}$ to $10\text{Hz}$ , $V_S = +5.5V$   | 0.4           |                           | $\mu\text{V}_{PP}$           |
| Input Voltage Noise Density                 | $e_n$           | $f = 1\text{kHz}$   | 20            |                           | $\text{nV}/\sqrt{\text{Hz}}$ |
| Input Current Noise                         | $i_n$           | $f = 10\text{Hz}$   | 200           |                           | $\text{fA}/\sqrt{\text{Hz}}$ |
| <b>INPUT VOLTAGE RANGE</b>                  |                 |   |               |                           |                              |
| Common-Mode Voltage Range                   | $V_{CM}$        |   | $(V-) - 0.05$ | $(V+) + 0.05$             | V                            |
| Common-Mode Rejection Ratio                 | CMRR            | $(V-) - 0.05V < V_{CM} < (V+) + 0.05V$ , $V_S = 5.5V$   | 100           | 112                       | dB                           |
|   |                 | $(V-) - 0.05V < V_{CM} < (V+) + 0.05V$ , $V_S = 2.2V$   | 94            | 106                       | dB                           |
| <b>over Temperature</b>                     |                 | <b><math>(V-) - 0.05V &lt; V_{CM} &lt; (V+) + 0.05V</math>, <math>V_S = 5.5V</math></b>                 | <b>96</b>     |                           | <b>dB</b>                    |
|   |                 | <b><math>(V-) - 0.05V &lt; V_{CM} &lt; (V+) + 0.05V</math>, <math>V_S = 2.2V</math></b>                 | <b>90</b>     |                           | <b>dB</b>                    |
| <b>INPUT CAPACITANCE</b>                    |                 |   |               |                           |                              |
| Differential                                | $C_{IN}$        |   | 4             |                           | pF                           |
| Common-Mode                                 |                 |   | 5             |                           | pF                           |
| <b>OPEN-LOOP GAIN</b>                       |                 |   |               |                           |                              |
| Open-Loop Voltage Gain                      | $A_{OL}$        | $50\text{mV} < V_O < (V+) - 50\text{mV}$ , $R_L = 100\text{k}\Omega$                                    | 110           | 134                       | dB                           |
|   |                 | $100\text{mV} < V_O < (V+) - 100\text{mV}$ , $R_L = 10\text{k}\Omega$                                   | 110           | 130                       | dB                           |
| <b>over Temperature</b>                     |                 | <b><math>100\text{mV} &lt; V_O &lt; (V+) - 100\text{mV}</math>, <math>R_L = 10\text{k}\Omega</math></b> | <b>106</b>    |                           | <b>dB</b>                    |
| <b>FREQUENCY RESPONSE</b>                   |                 |   |               |                           |                              |
| Gain-Bandwidth Product                      | GBW             |   | 900           |                           | kHz                          |
| Slew Rate                                   | SR              | $G = +1$  | 0.4           |                           | $\text{V}/\mu\text{s}$       |
| Settling Time 0.1%                          | $t_s$           | $V_S = 5.5V$ , 2V Step, $G = +1$  | 7             |                           | $\mu\text{s}$                |
| Settling Time 0.01%                         | $t_s$           | $V_S = 5.5V$ , 2V Step, $G = +1$  | 9             |                           | $\mu\text{s}$                |
| Overload Recovery Time                      |                 | $V_{IN} \times \text{Gain} > V_S$   | 4             |                           | $\mu\text{s}$                |
| THD + Noise                                 | THD + N         | $V_S = 5V$ , $V_O = 3V_{PP}$ , $G = +1$ , $f = 1\text{kHz}$   | 0.003         |                           | %                            |

**ELECTRICAL CHARACTERISTICS:  $V_S = +2.2V$  to  $+5.5V$  (continued)**

**Boldface** limits apply over the specified temperature range,  $T_A = -40^\circ C$  to  $+125^\circ C$ .

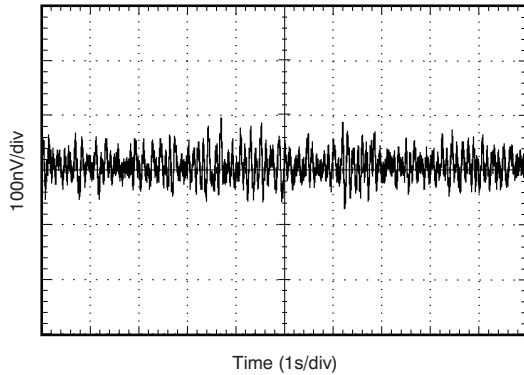
At  $T_A = +25^\circ C$ ,  $R_L = 10k\Omega$  connected to  $V_S/2$ ,  $V_{CM} = V_S/2$ , and  $V_{OUT} = V_S/2$ , unless otherwise noted.

| PARAMETER                               | TEST CONDITIONS | OPA378, OPA2378                      |                               |            | UNIT                      |
|---|-----------------|--------------------------------------|-------------------------------|------------|---------------------------|
|   |                 | MIN                                  | TYP                           | MAX        |                           |
| <b>OUTPUT</b>                           |                 |                                      |                               |            |                           |
| Voltage Output Swing from Rail, OPA378  | $V_O$           | $R_L = 10k\Omega$                    | 6                             | 8          | mV                        |
| <b>over Temperature</b>                 |                 | <b><math>R_L = 10k\Omega</math></b>  | <b>8</b>                      | <b>13</b>  | <b>mV</b>                 |
| Voltage Output Swing from Rail, OPA2378 | $V_O$           | $R_L = 10k\Omega$                    | 6                             | 10         | mV                        |
| <b>over Temperature</b>                 |                 | <b><math>R_L = 10k\Omega</math></b>  | <b>8</b>                      | <b>15</b>  | <b>mV</b>                 |
| Voltage Output Swing from Rail          |                 | $R_L = 100k\Omega$                   | 0.7                           | 2          | mV                        |
| <b>over Temperature</b>                 |                 | <b><math>R_L = 100k\Omega</math></b> |                               | <b>3</b>   | <b>mV</b>                 |
| Short-Circuit Current                   | $I_{SC}$        |                                      | $\pm 30$                      |            | mA                        |
| Capacitive Load Drive                   | $C_{LOAD}$      |                                      | See <a href="#">Figure 18</a> |            | pF                        |
| Open-Loop Output Impedance              | $Z_O$           |                                      | See <a href="#">Figure 23</a> |            | $\Omega$                  |
| <b>POWER SUPPLY</b>                     |                 |                                      |                               |            |                           |
| Specified Voltage Range                 | $V_S$           |                                      | 2.2                           | 5.5        | V                         |
| Quiescent Current (per Amplifier)       | $I_Q$           | $I_O = 0mA, V_S = +5.5V$             |                               | 125        | $\mu A$                   |
| <b>over Temperature</b>                 |                 |                                      |                               | <b>165</b> | <b><math>\mu A</math></b> |
| <b>TEMPERATURE RANGE</b>                |                 |                                      |                               |            |                           |
| Specified Range                         |                 |                                      | -40                           | +125       | $^\circ C$                |
| Operating Range                         |                 |                                      | -55                           | +150       | $^\circ C$                |
| Thermal Resistance                      | $\theta_{JA}$   |                                      |                               |            | $^\circ C/W$              |
| SOT23-5                                 |                 |                                      | 200                           |            | $^\circ C/W$              |
| SC70-5                                  |                 |                                      | 250                           |            | $^\circ C/W$              |
| SOT23-8                                 |                 |                                      | 100                           |            | $^\circ C/W$              |

**TYPICAL CHARACTERISTICS**

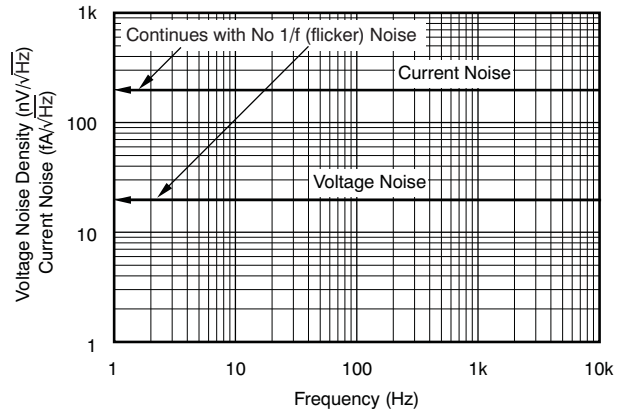
At  $T_A = +25^\circ\text{C}$ ,  $R_L = 10\text{k}\Omega$ ,  $V_S = +5.5\text{V}$  and  $V_{OUT} = V_S/2$ , unless otherwise noted.

**0.1Hz TO 10Hz NOISE**



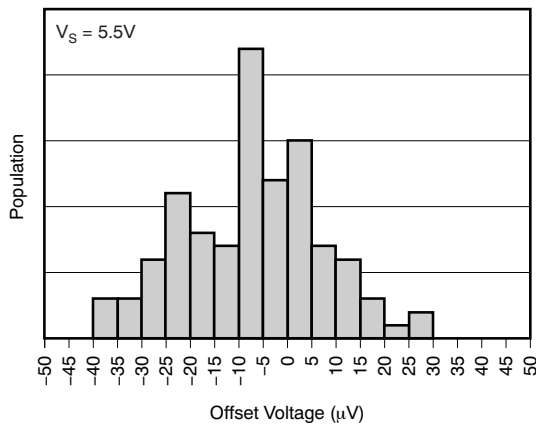
**Figure 1.**

**INPUT CURRENT AND VOLTAGE NOISE SPECTRAL DENSITY vs FREQUENCY**



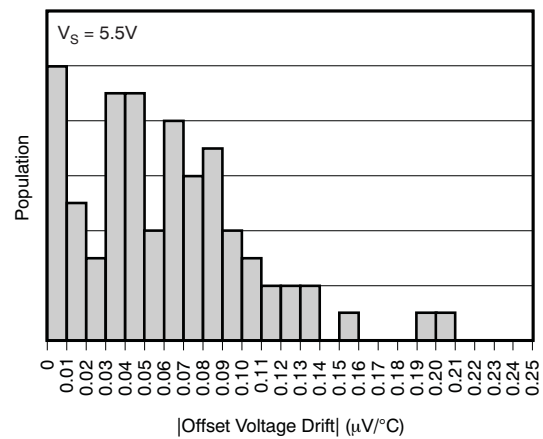
**Figure 2.**

**OFFSET VOLTAGE PRODUCTION DISTRIBUTION**



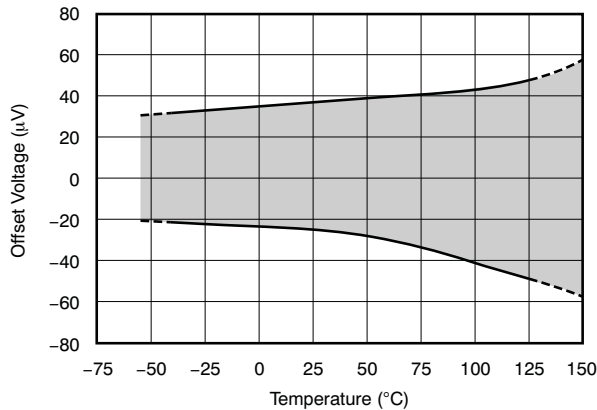
**Figure 3.**

**OFFSET VOLTAGE DRIFT DISTRIBUTION**



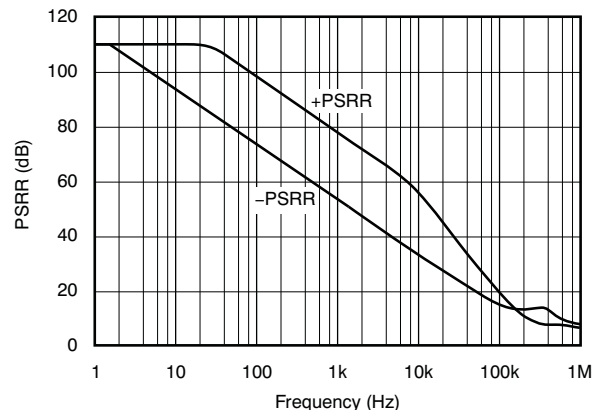
**Figure 4.**

**OFFSET VOLTAGE vs TEMPERATURE**



**Figure 5.**

**POWER-SUPPLY REJECTION RATIO vs FREQUENCY**



**Figure 6.**

**TYPICAL CHARACTERISTICS (continued)**

At  $T_A = +25^\circ\text{C}$ ,  $R_L = 10\text{k}\Omega$ ,  $V_S = +5.5\text{V}$  and  $V_{OUT} = V_S/2$ , unless otherwise noted.

**OPEN-LOOP GAIN AND PHASE vs FREQUENCY**

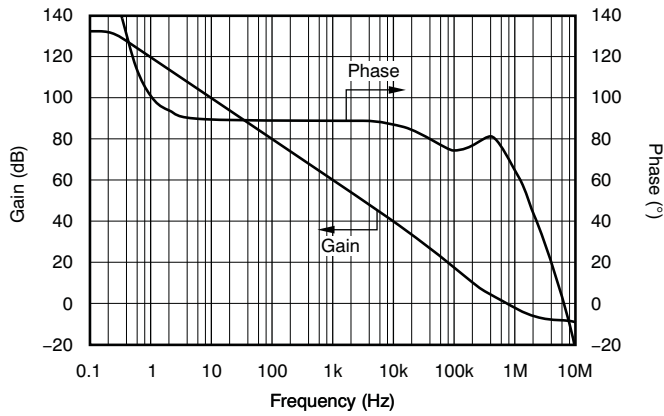


Figure 7.

**OPEN-LOOP GAIN vs TEMPERATURE**

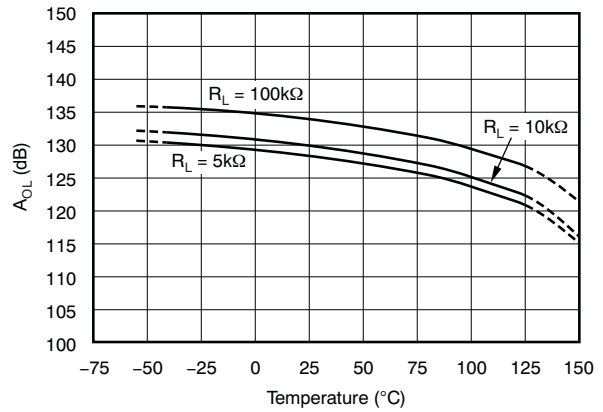


Figure 8.

**COMMON-MODE REJECTION RATIO vs FREQUENCY**

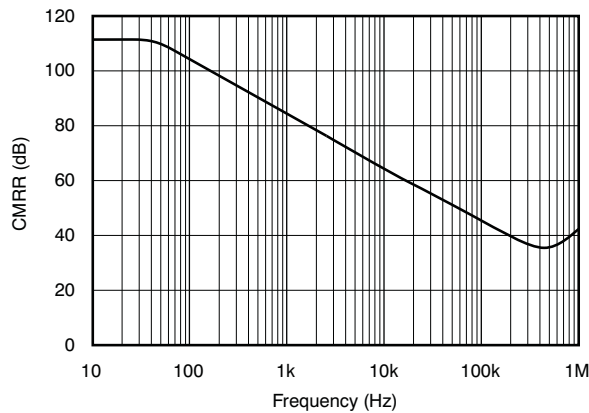


Figure 9.

**COMMON-MODE REJECTION RATIO AND POWER-SUPPLY REJECTION RATIO vs TEMPERATURE**

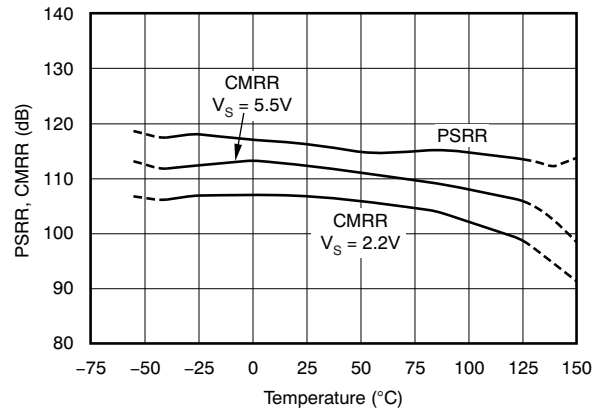


Figure 10.

**INPUT BIAS CURRENT vs INPUT COMMON-MODE VOLTAGE**

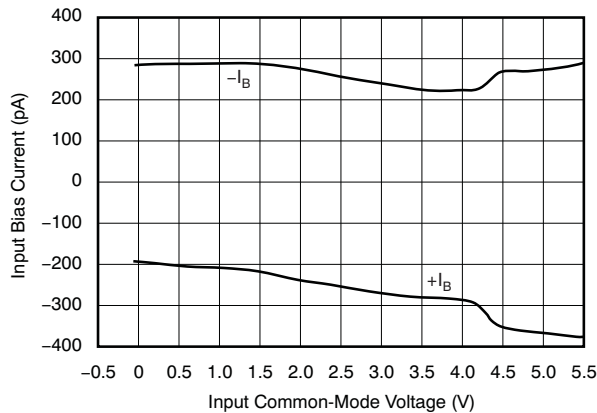


Figure 11.

**INPUT BIAS CURRENT vs TEMPERATURE**

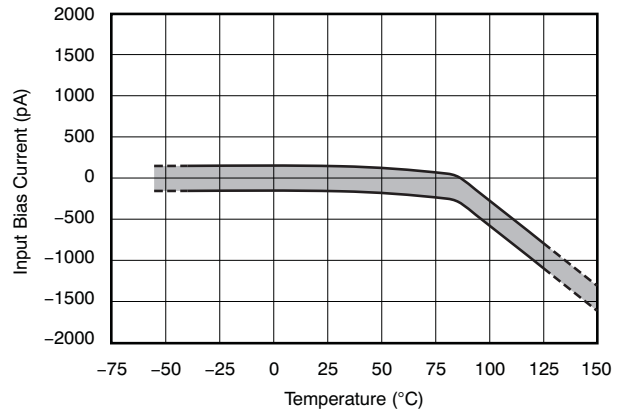


Figure 12.

**TYPICAL CHARACTERISTICS (continued)**

At  $T_A = +25^\circ\text{C}$ ,  $R_L = 10\text{k}\Omega$ ,  $V_S = +5.5\text{V}$  and  $V_{OUT} = V_S/2$ , unless otherwise noted.

**QUIESCENT CURRENT vs SUPPLY VOLTAGE**

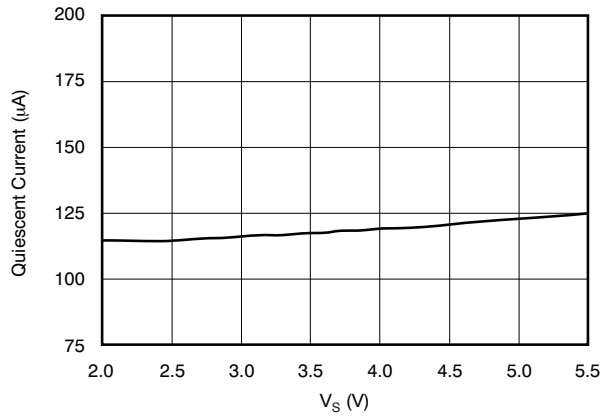


Figure 13.

**QUIESCENT CURRENT vs TEMPERATURE**

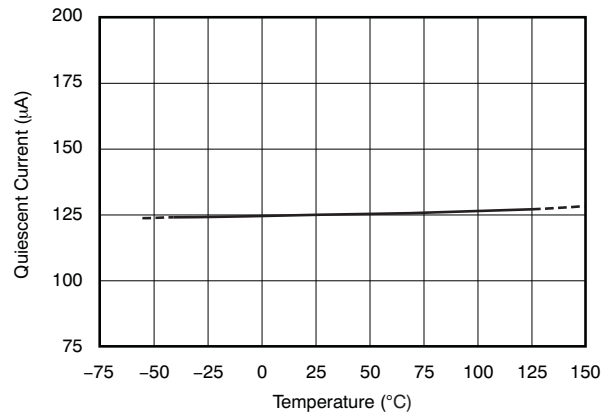


Figure 14.

**OUTPUT VOLTAGE SWING vs OUTPUT CURRENT**

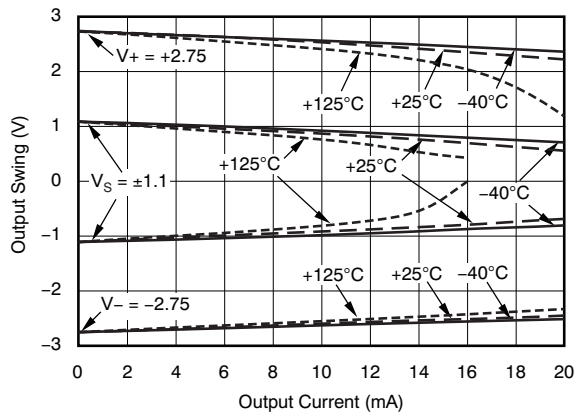


Figure 15.

**MAXIMUM OUTPUT VOLTAGE vs FREQUENCY**

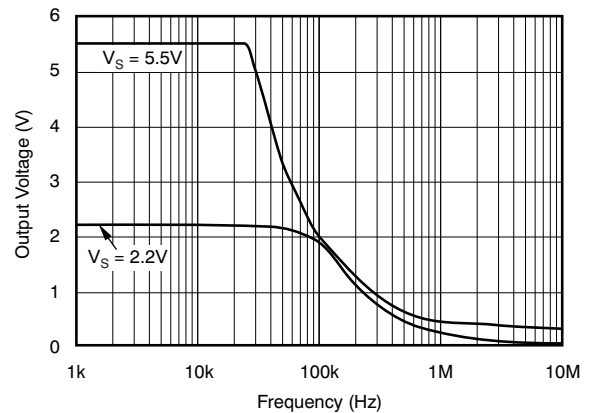


Figure 16.

**TOTAL HARMONIC DISTORTION + NOISE vs FREQUENCY**

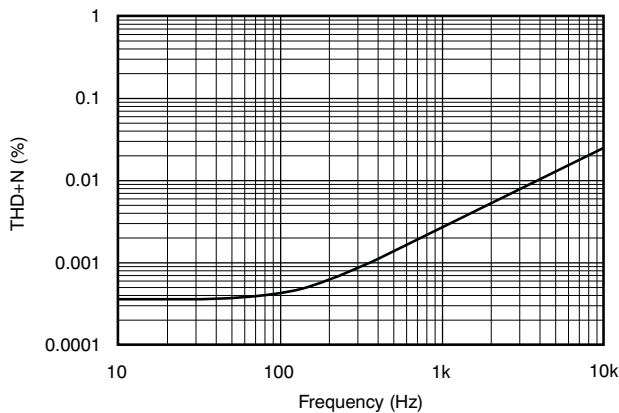


Figure 17.

**SMALL-SIGNAL OVERSHOOT vs LOAD CAPACITANCE**

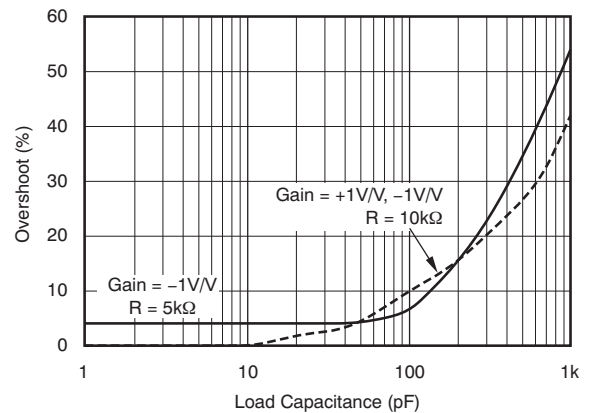


Figure 18.

**TYPICAL CHARACTERISTICS (continued)**

At  $T_A = +25^\circ\text{C}$ ,  $R_L = 10\text{k}\Omega$ ,  $V_S = +5.5\text{V}$  and  $V_{OUT} = V_S/2$ , unless otherwise noted.

**POSITIVE OVER-VOLTAGE RECOVERY**

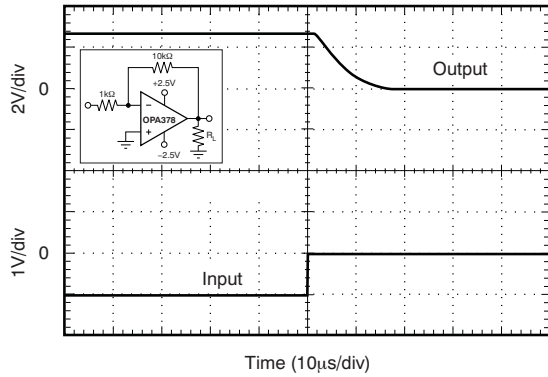


Figure 19.

**NEGATIVE OVER-VOLTAGE RECOVERY**

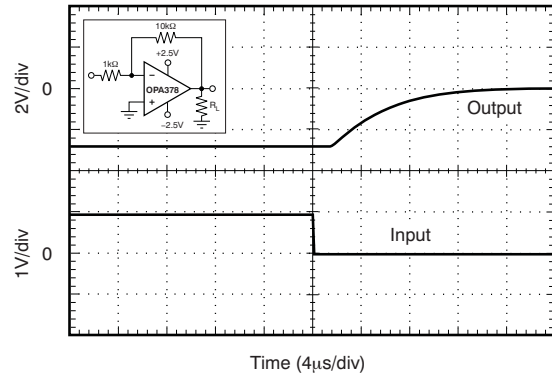


Figure 20.

**SMALL-SIGNAL STEP RESPONSE**

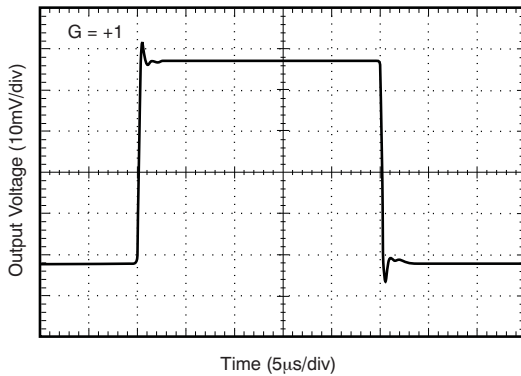


Figure 21.

**LARGE-SIGNAL STEP RESPONSE**

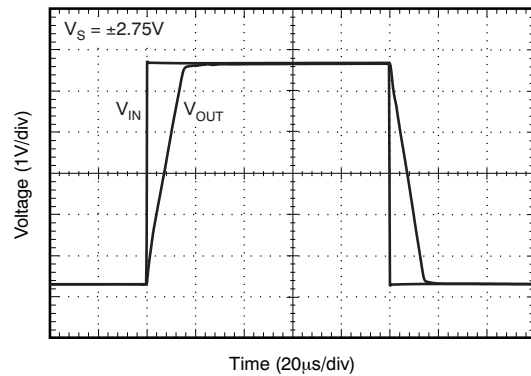


Figure 22.

**OPEN-LOOP OUTPUT IMPEDANCE vs FREQUENCY**

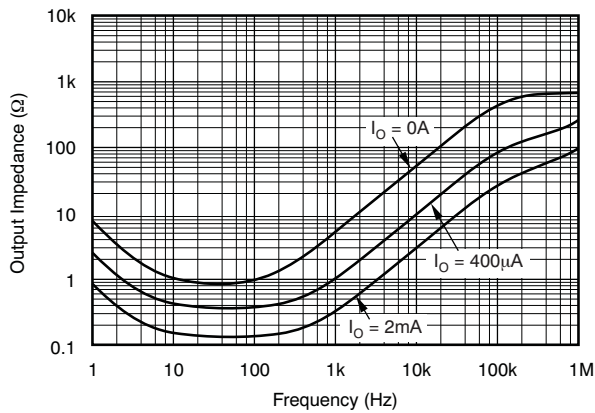


Figure 23.

**INPUT BIAS CURRENT vs INPUT DIFFERENTIAL VOLTAGE**

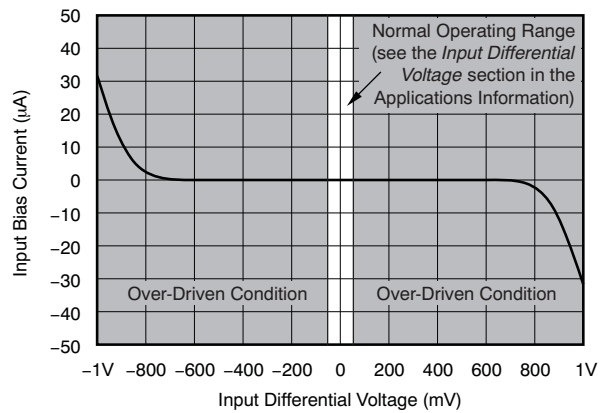
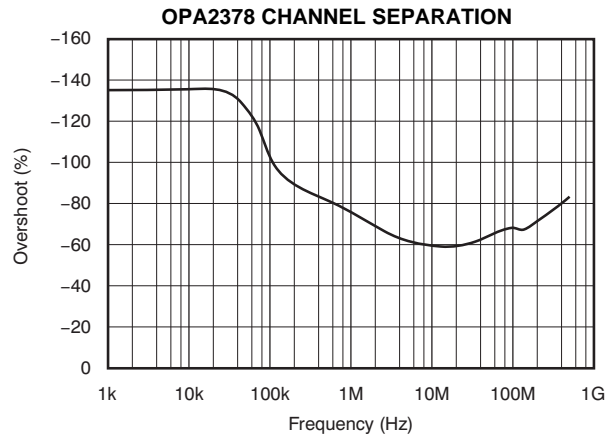


Figure 24.



**TYPICAL CHARACTERISTICS (continued)**

At  $T_A = +25^\circ\text{C}$ ,  $R_L = 10\text{k}\Omega$ ,  $V_S = +5.5\text{V}$  and  $V_{OUT} = V_S/2$ , unless otherwise noted.



**Figure 25.**

## APPLICATIONS INFORMATION

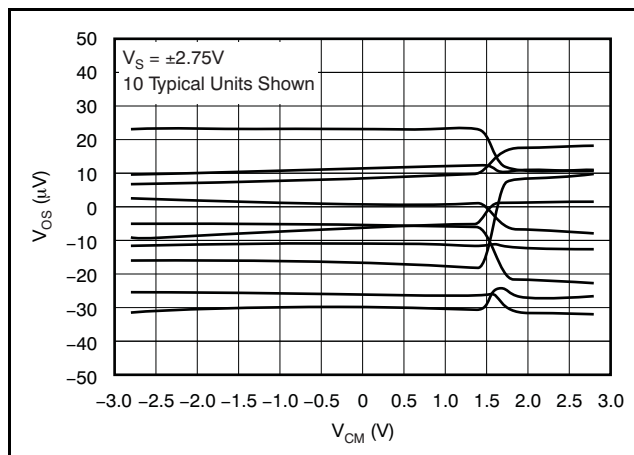
The OPA378 and OPA2378 are unity-gain stable, precision operational amplifiers that are free from phase reversal. The use of proprietary Zero-Drift circuitry gives the benefit of low input offset voltage over time and temperature as well as lowering the 1/f noise component. This design provides the optimization of gain, noise, and power, making the OPA378 series one of the best performers in this bandwidth range. As a result of the high PSRR, this device works well in applications that run directly from battery power without regulation. They are optimized for low-voltage, single-supply operation. These miniature, high-precision, low quiescent current amplifiers offer high-impedance inputs that have a common-mode range 100mV beyond the supplies, excellent CMRR, and a rail-to-rail output that swings within 10mV of the supplies. This design results in superior performance for driving analog-to-digital converters (ADCs) without degradation of differential linearity.

### OPERATING VOLTAGE

The OPA378 and OPA2378 can be used with single or dual supplies from an operating range of  $V_S = +2.2V$  ( $\pm 1.1V$ ) and up to  $V_S = +5.5V$  ( $\pm 2.75V$ ). This device does not require symmetrical supplies, only a differential supply voltage of 2.2V to 5.5V. A power-supply rejection ratio of  $1.5\mu V/V$  (typical) ensures that the device functions with an unregulated battery source. Supply voltages higher than +7V can permanently damage the device; see the [Absolute Maximum Ratings](#) table. Key parameters are assured over the specified temperature range,  $T_A = -40^\circ C$  to  $+125^\circ C$ . Parameters that vary over the supply voltage or temperature range are shown in the [Typical Characteristics](#) section of this data sheet.

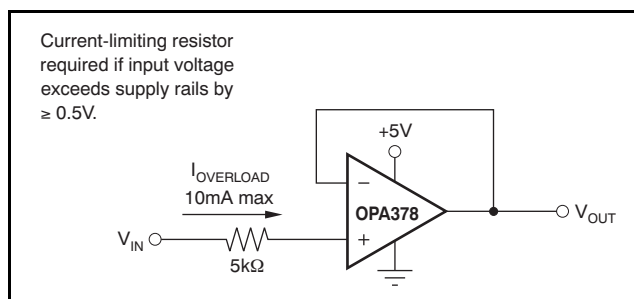
### INPUT VOLTAGE

The OPA378 and OPA2378 input common-mode voltage range extends 0.05V beyond the supply rails. The OPA378 achieves a common-mode rejection ratio of 112dB (typical) over the common-mode voltage range. [Figure 26](#) shows the variation of offset voltage over the entire specified common-mode range for 10 typical units.



**Figure 26. Offset Voltage versus Common-Mode Voltage**

Normally, input bias current is about 150pA; however, input voltages exceeding the power supplies can cause excessive current to flow into or out of the input pins. Momentary voltages greater than the power supply can be tolerated if the input current is limited to 10mA. This limitation is easily accomplished with an input resistor, as [Figure 27](#) shows.



**Figure 27. Input Current Protection**

## INPUT DIFFERENTIAL VOLTAGE

The typical input bias current of the OPA378 during normal operation is approximately 150pA. In over-driven conditions, the bias current can increase significantly (see Figure 24). The most common cause of an over-driven condition occurs when the op amp is outside of the linear range of operation. When the output of the op amp is driven to one of the supply rails the feedback loop requirements cannot be satisfied and a differential input voltage develops across the input pins. This differential input voltage results in activation of parasitic diodes inside the front end input chopping switches that combine with 1.5kΩ EMI filter resistors to create the equivalent circuit shown in Figure 28.

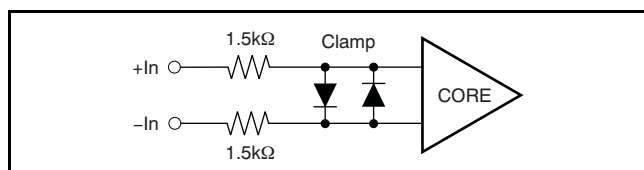


Figure 28. Equivalent Input Circuit

## INTERNAL OFFSET CORRECTION

The OPA378 and OPA2378 family of op amps use an auto-calibration technique with a time-continuous 350kHz op amp in the signal path. This amplifier is zero-corrected every 3μs using a proprietary technique. Upon power-up, the amplifier requires approximately 100μs to achieve specified  $V_{OS}$  accuracy. This architecture has no aliasing or flicker noise.

## NOISE

The OPA378 series of op amps have excellent distortion characteristics. Total harmonic distortion + noise is below 0.003% ( $G = +1$ ,  $V_O = 3V_{RMS}$ , and  $f = 1kHz$ , with a 10kΩ load). Design of low-noise op amp circuits requires careful consideration of a variety of possible noise contributors: noise from the signal source, noise generated in the op amp, and noise from the feedback network resistors. The total noise of the circuit is the root-sum-square combination of all the noise components.

## EMI SUSCEPTIBILITY AND INPUT FILTERING

Operational amplifiers vary in their susceptibility to electromagnetic interference (EMI). If conducted EMI enters the operational amplifier, the dc offset observed at the amplifier output may shift from its nominal value while the EMI is present. This shift is a result of signal rectification associated with the internal semiconductor junctions. While all operational amplifier pin functions can be affected by EMI, the input pins are likely to be the most susceptible. The

OPA378 operational amplifier family incorporates an internal input low-pass filter that reduces the amplifier response to EMI. Both common-mode and differential-mode filtering are provided by the input filter. The filter is designed for a cutoff frequency of approximately 25MHz (–3dB), with a roll-off of 20dB per decade. Figure 29 shows the EMI filter.

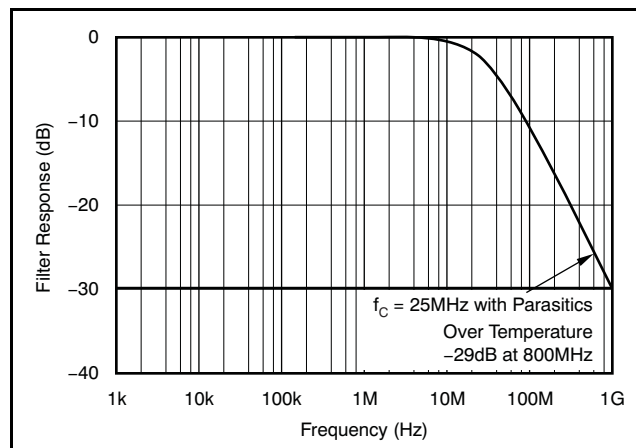


Figure 29. EMI Filter

## GENERAL LAYOUT GUIDELINES

Attention to good layout practices is always recommended. Keep traces short and, when possible, use a printed circuit board (PCB) ground plane with surface-mount components placed as close to the device pins as possible. Place a 0.1μF capacitor closely across the supply pins. These guidelines should be applied throughout the analog circuit to improve performance.

For lowest offset voltage and precision performance, circuit layout and mechanical conditions should be optimized. Avoid temperature gradients that create thermoelectric (Seebeck) effects in the thermocouple junctions formed from connecting dissimilar conductors. These thermally-generated potentials can be made to cancel by assuring they are equal on both input terminals. Other layout and design considerations include:

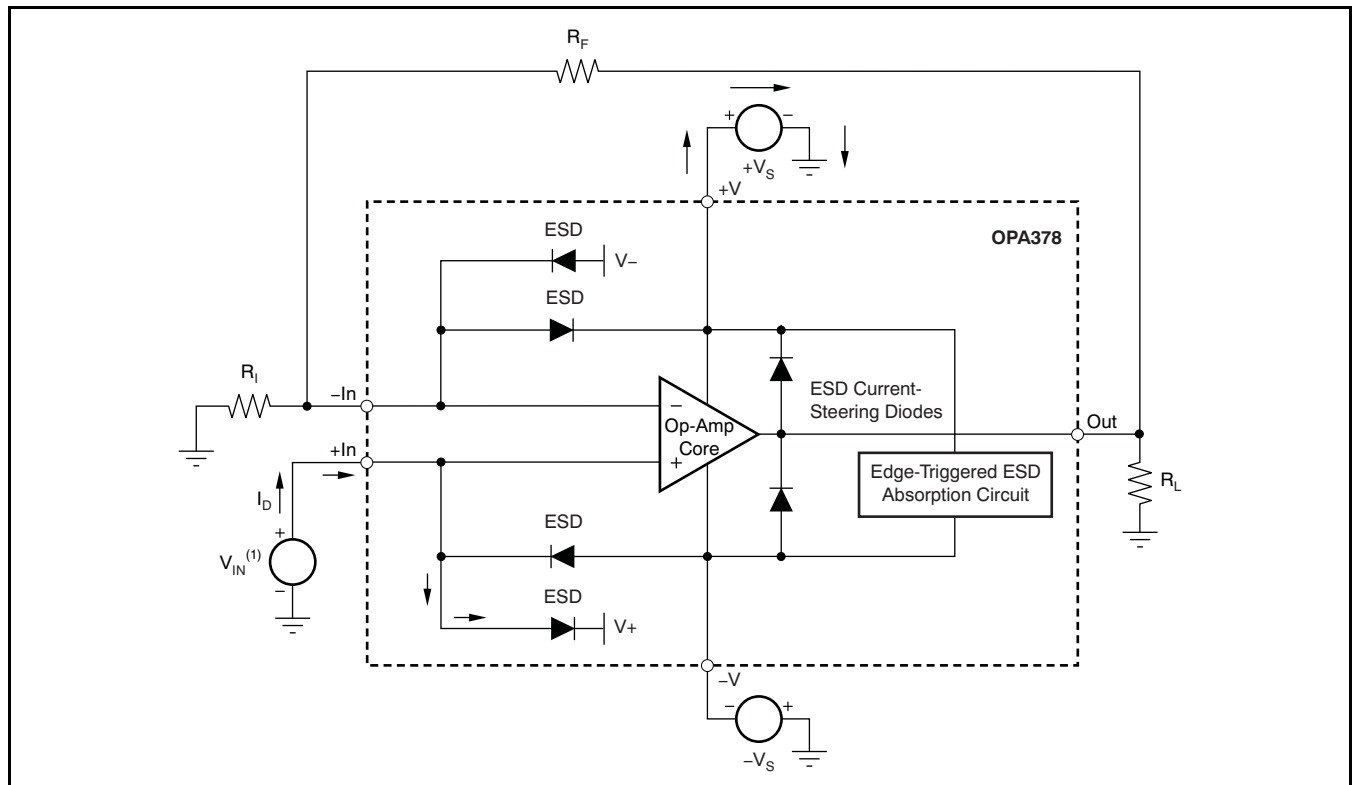
- Use low thermoelectric-coefficient conditions (avoid dissimilar metals).
- Thermally isolate components from power supplies or other heat sources.
- Shield op amp and input circuitry from air currents, such as cooling fans.

Following these guidelines reduces the likelihood of junctions being at different temperatures, which can cause thermoelectric voltages of 0.1μV/°C or higher, depending on materials used.

## ELECTRICAL OVERSTRESS

Designers often ask questions about the capability of an operational amplifier to withstand electrical overstress. These questions tend to focus on the device inputs, but may involve the supply voltage pins or even the output pin. Each of these different pin functions have electrical stress limits determined by the voltage breakdown characteristics of the particular semiconductor fabrication process and specific circuits connected to the pin. Additionally, internal electrostatic discharge (ESD) protection is built into these circuits to protect them from accidental ESD events both before and during product assembly.

It is helpful to have a good understanding of this basic ESD circuitry and its relevance to an electrical overstress event. Figure 30 shows the ESD circuits contained in the OPA378 (indicated by the dashed line area). The ESD protection circuitry involves several current-steering diodes connected from the input and output pins and routed back to the internal power-supply lines, where they meet at an absorption device internal to the operational amplifier. This protection circuitry is intended to remain inactive during normal circuit operation.



(1)  $V_{IN} = +V_S + 500\text{mV}$ .

**Figure 30. Equivalent Internal ESD Circuitry and Its Relation to a Typical Circuit Application**

An ESD event produces a short duration, high-voltage pulse that is transformed into a short duration, high-current pulse as it discharges through a semiconductor device. The ESD protection circuits are designed to provide a current path around the operational amplifier core to prevent it from being damaged. The energy absorbed by the protection circuitry is then dissipated as heat.

When an ESD voltage develops across two or more of the amplifier device pins, current flows through one or more of the steering diodes. Depending on the path that the current takes, the absorption device may activate. The absorption device has a trigger, or threshold voltage, that is above the normal operating voltage of the OPA378 but below the device breakdown voltage level. Once this threshold is exceeded, the absorption device quickly activates and clamps the voltage across the supply rails to a safe level.

When the operational amplifier connects into a circuit such as that illustrated in Figure 30, the ESD protection components are intended to remain inactive and not become involved in the application circuit operation. However, circumstances may arise where an applied voltage exceeds the operating voltage range of a given pin. Should this condition occur, there is a risk that some of the internal ESD protection circuits may be biased on, and conduct current. Any such current flow occurs through steering diode paths and rarely involves the absorption device.

Figure 30 depicts a specific example where the input voltage,  $V_{IN}$ , exceeds the positive supply voltage ( $+V_S$ ) by 300mV or more. Much of what happens in the circuit depends on the supply characteristics. If  $+V_S$  can sink the current, one of the upper input steering diodes conducts and directs current to  $+V_S$ . Excessively high current levels can flow with increasingly higher  $V_{IN}$ . As a result, the datasheet specifications recommend that applications limit the input current to 10mA.

If the supply is not capable of sinking the current,  $V_{IN}$  may begin sourcing current to the operational amplifier, and then take over as the source of positive supply voltage. The danger in this case is that the voltage can rise to levels that exceed the operational amplifier absolute maximum ratings. In extreme but rare cases, the absorption device triggers on while  $+V_S$  and  $-V_S$  are applied. If this event happens, a direct current path is established between the  $+V_S$  and  $-V_S$  supplies. The power dissipation of the absorption device is quickly exceeded, and the extreme internal heating destroys the operational amplifier.

Another common question involves what happens to the amplifier if an input signal is applied to the input while the power supplies  $+V_S$  and/or  $-V_S$  are at 0V. Again, it depends on the supply characteristic while at 0V, or at a level below the input signal amplitude. If the supplies appear as high impedance, then the operational amplifier supply current may be supplied by the input source via the current steering diodes. This state is not a normal bias condition; the amplifier most likely will not operate normally. If the supplies are low impedance, then the current through the steering diodes can become quite high. The current level depends on the ability of the input source to deliver current, and any resistance in the input path.

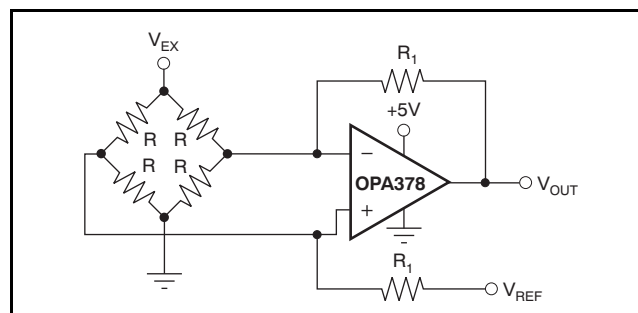
**APPLICATION IDEAS**

Figure 31 shows the basic configuration for a bridge amplifier.

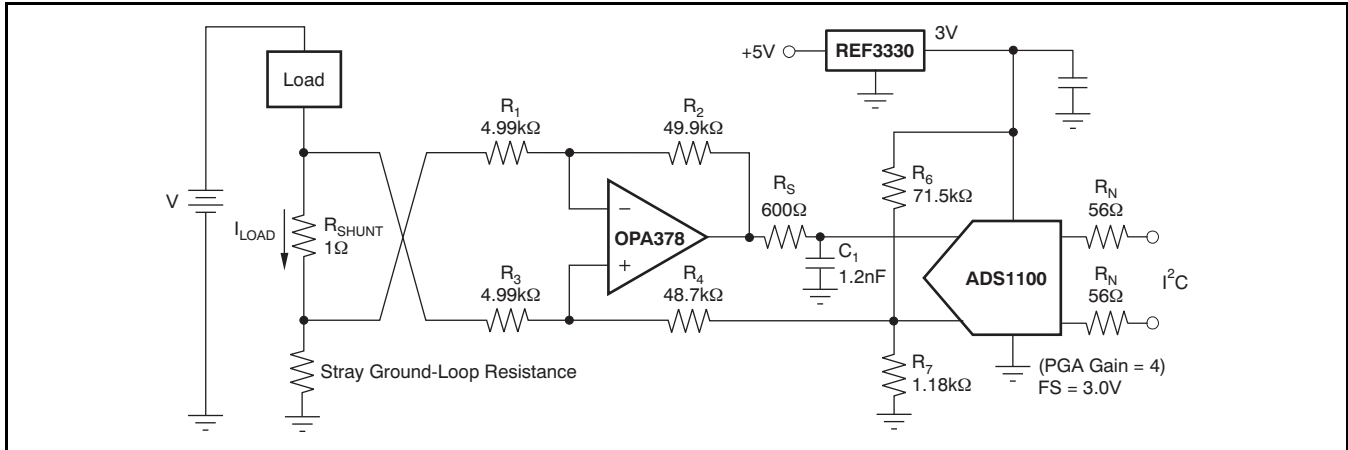
A low-side current shunt monitor is shown in Figure 32.  $R_N$  are optional resistors used to isolate the ADS8325 from the noise of the digital two-wire bus. Because the ADS8325 is a 16-bit converter, a precise reference is essential for maximum accuracy. If absolute accuracy is not required, and the 5V power supply is sufficiently stable, the REF3330 may be omitted.

Figure 33 shows a high-side current monitor. The load current develops a voltage drop across  $R_{SHUNT}$ . The noninverting input monitors this voltage and is duplicated on the inverting input.  $R_G$  then has the same voltage drop as  $R_{SHUNT}$ .  $R_G$  can be sized to provide whatever current is most convenient to the designer based on design constraints. The current from  $R_G$  then flows through the MOSFET and to resistor  $R_L$ , creating a voltage that can be read. Note that  $R_L$  and  $R_G$  set the voltage gain of the circuit.

The supply voltage for the op amp is derived from the zener diode. For the OPA378  $V_S$  must be between 2.2V and 5.5V. Two possible methods to bias the zener are shown in the circuit of Figure 33: the customary resistor bias and the current monitor. The current monitor biasing achieves the lowest possible voltage. Resistor  $R_1$  and the diode on the noninverting input provide short-circuit protection.

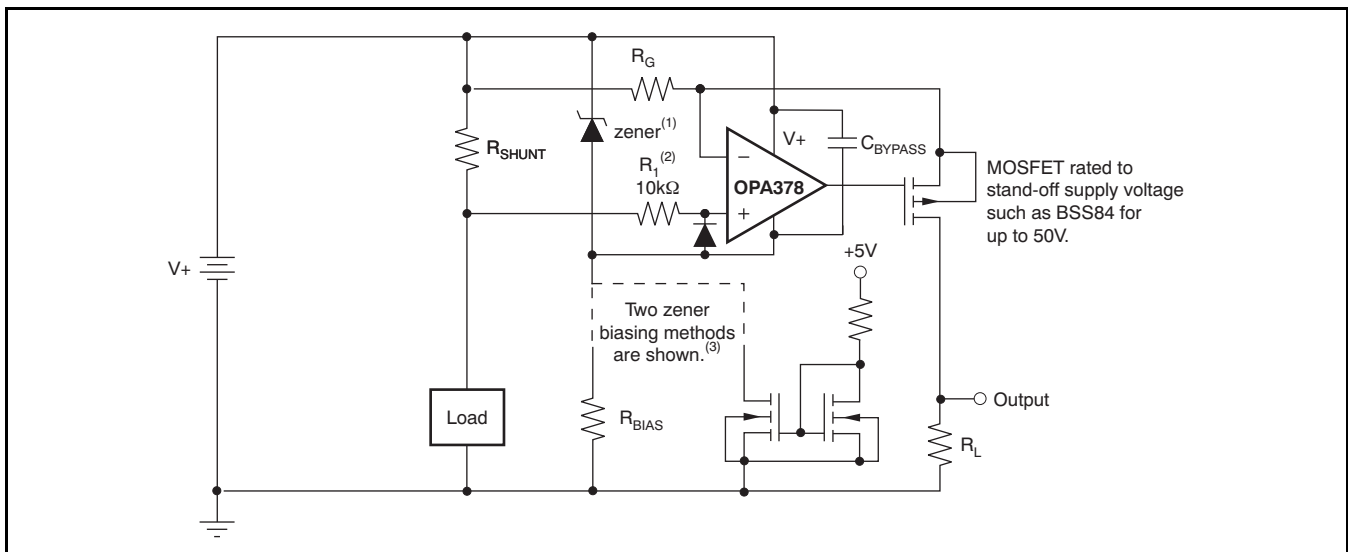


**Figure 31. Single Op Amp Bridge Amplifier**



NOTE: 1% resistors provide adequate common-mode rejection at small ground-loop errors.

**Figure 32. Low-Side Current Monitor**



(1) Zener rated for op amp supply capability (that is, 5.1V for the OPA378).

(2) Current-limiting resistor.

(3) Choose zener biasing resistor or dual NMOSFETs (2N7002, NTZD5110N, SM6K2T110).

**Figure 33. High-Side Current Monitor**

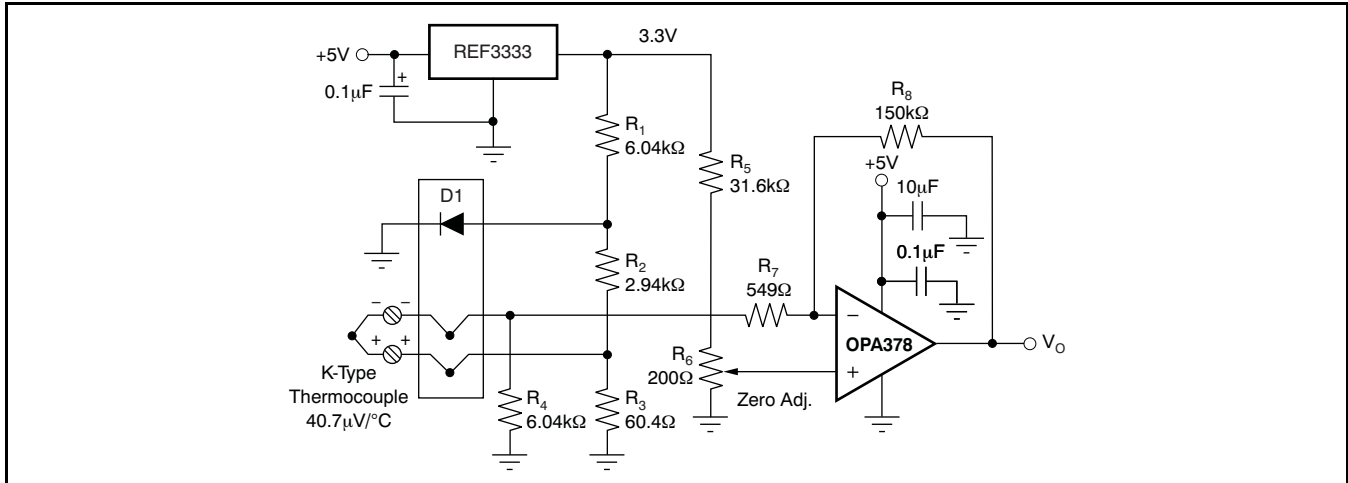


Figure 34. Temperature Measurement

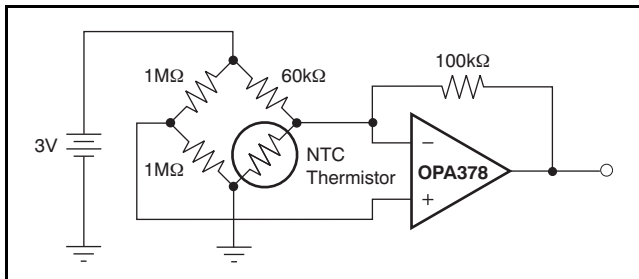


Figure 35. Thermistor Measurement

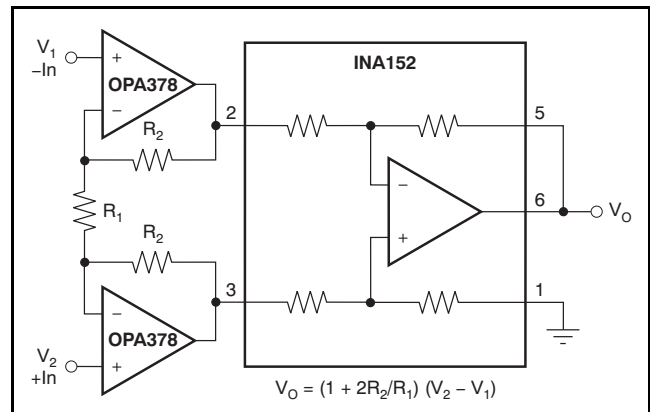
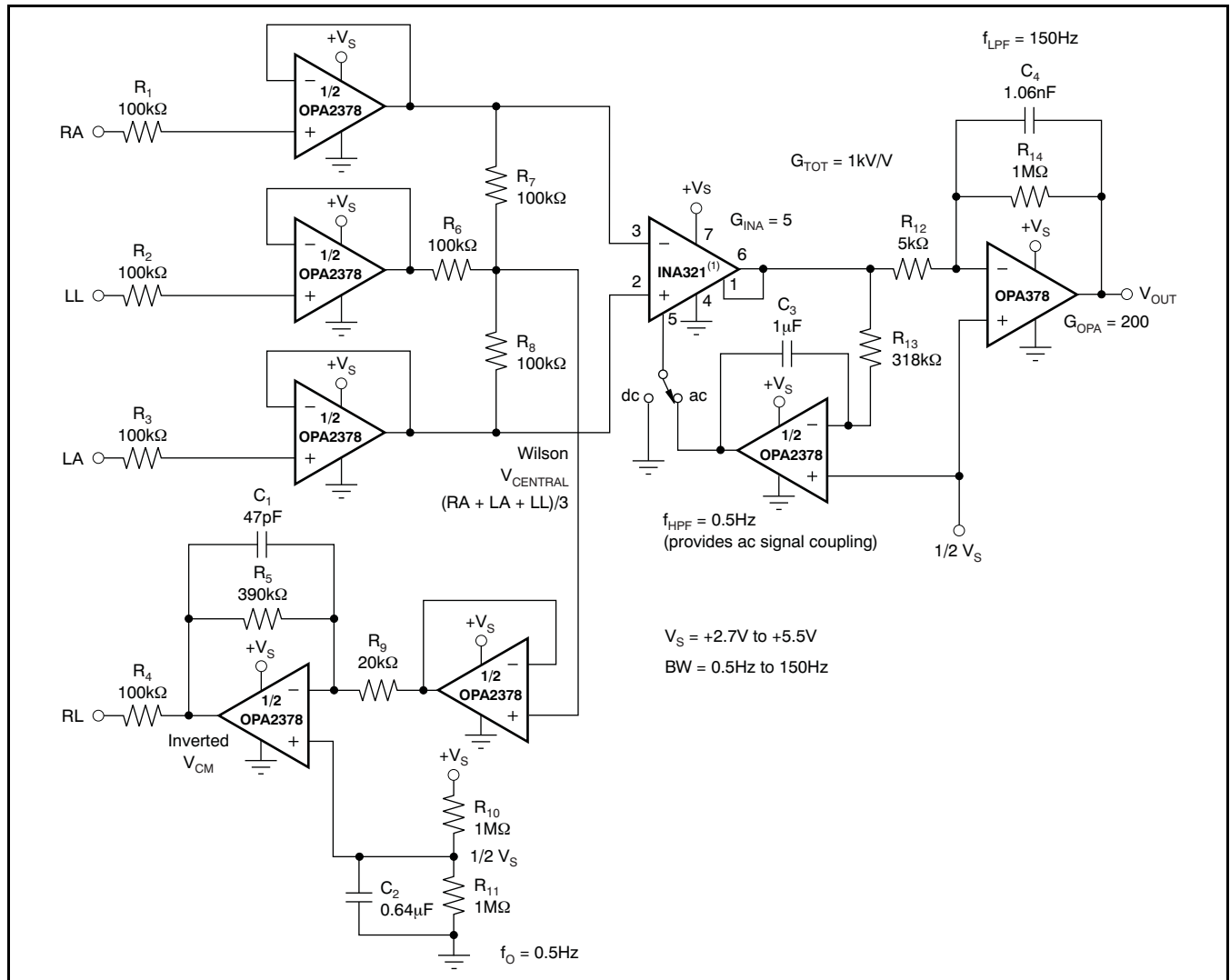


Figure 36. Precision Instrumentation Amplifier



(1) Other instrumentation amplifiers can be used, such as the [INA326](#), which has lower noise but higher quiescent current.

**Figure 37. Single-Supply, Very Low Power ECG Circuit**



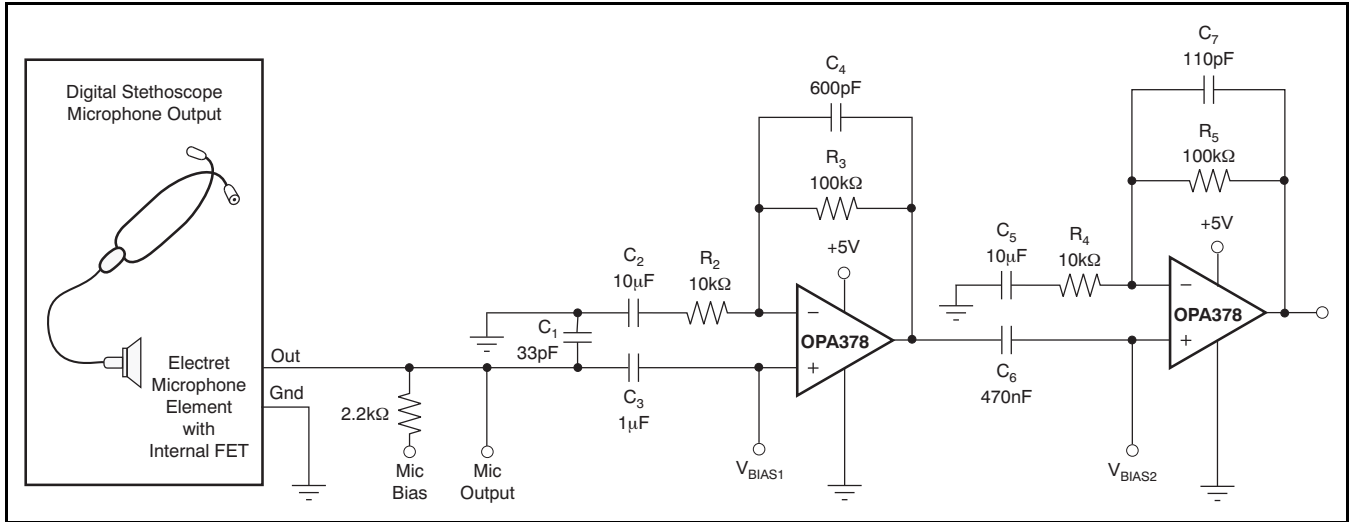


Figure 38. Digital Stethoscope Circuit

## REVISION HISTORY

NOTE: Page numbers for previous revisions may differ from page numbers in the current version.

| Changes from Revision C (June 2009) to Revision D  | Page |
|--|------|
| • Changed OPA2378 orderable status to production data; updated references throughout document .....  | 1    |
| • Changed first sentence of Description section .....  | 1    |
| • Deleted footnote 2 from Package Information table .....  | 2    |
| • Added OPA2378 parameters to the Offset Voltage section of the Electrical Characteristics table .....   | 3    |
| • Deleted footnote 1 from Electrical Characteristics table .....   | 3    |
| • Added OPA378 to the Offset Voltage, <i>Input Offset Voltage</i> and <i>vs Power Supply</i> parameters of the Electrical Characteristics table .....        | 3    |
| • Added typical specification to the OPA378 Offset Voltage, <i>Over Temperature</i> parameter of the Electrical Characteristics table .....                  | 3    |
| • Added Offset Voltage, <i>Channel Separation</i> parameter to the Electrical Characteristics table .....  | 3    |
| • Added OPA2378 parameters to the Input Bias Current section of the Electrical Characteristics table .....   | 3    |
| • Added OPA378 to the Input Bias Current, <i>Input Bias Current</i> and <i>Input Offset Current</i> parameters of the Electrical Characteristics table ..... | 3    |
| • Added typical specification to the Input Bias Current, <i>Input Offset Current</i> , OPA378 parameter of the Electrical Characteristics table .....        | 3    |
| • Added OPA378 to the Output, <i>Voltage Output Swing from Rail</i> parameter of the Electrical Characteristics .....  | 4    |
| • Added typical specification to the OPA378 Output, <i>Over Temperature</i> parameter of the Electrical Characteristics table .....                          | 4    |
| • Added the OPA2378 Output, <i>Voltage Output Swing from Rail</i> and <i>Over Temperature</i> parameters to the Electrical Characteristics table .....       | 4    |
| • Updated <a href="#">Figure 18</a> .....  | 7    |
| • Added <a href="#">Figure 25</a> .....  | 9    |
| • Updated <a href="#">Figure 32</a> .....  | 14   |
| • Updated <a href="#">Figure 33</a> and changed footnote 3 .....   | 14   |

**PACKAGING INFORMATION**

| Orderable part number         | Status<br>(1) | Material type<br>(2) | Package   Pins   | Package qty   Carrier | RoHS<br>(3) | Lead finish/<br>Ball material<br>(4) | MSL rating/<br>Peak reflow<br>(5) | Op temp (°C) | Part marking<br>(6) |
|-------------------------------|---------------|----------------------|------------------|-----------------------|-------------|--------------------------------------|-----------------------------------|--------------|---------------------|
| <a href="#">OPA2378AIDCNR</a> | Active        | Production           | SOT-23 (DCN)   8 | 3000   LARGE T&R      | Yes         | NIPDAU                               | Level-2-260C-1 YEAR               | -40 to 125   | OCAI                |
| <a href="#">OPA2378AIDCNT</a> | Active        | Production           | SOT-23 (DCN)   8 | 250   SMALL T&R       | Yes         | NIPDAU                               | Level-2-260C-1 YEAR               | -40 to 125   | OCAI                |
| <a href="#">OPA378AIDBVR</a>  | Active        | Production           | SOT-23 (DBV)   5 | 3000   LARGE T&R      | Yes         | NIPDAU                               | Level-2-260C-1 YEAR               | -40 to 125   | OAZI                |
| <a href="#">OPA378AIDBVT</a>  | Active        | Production           | SOT-23 (DBV)   5 | 250   SMALL T&R       | Yes         | NIPDAU                               | Level-2-260C-1 YEAR               | -40 to 125   | OAZI                |
| <a href="#">OPA378AIDCKR</a>  | Active        | Production           | SC70 (DCK)   5   | 3000   LARGE T&R      | Yes         | NIPDAU   NIPDAU                      | Level-2-260C-1 YEAR               | -40 to 125   | BTS                 |
| <a href="#">OPA378AIDCKT</a>  | Active        | Production           | SC70 (DCK)   5   | 250   SMALL T&R       | Yes         | NIPDAU   NIPDAU                      | Level-2-260C-1 YEAR               | -40 to 125   | BTS                 |

(1) **Status:** For more details on status, see our [product life cycle](#).

(2) **Material type:** When designated, preproduction parts are prototypes/experimental devices, and are not yet approved or released for full production. Testing and final process, including without limitation quality assurance, reliability performance testing, and/or process qualification, may not yet be complete, and this item is subject to further changes or possible discontinuation. If available for ordering, purchases will be subject to an additional waiver at checkout, and are intended for early internal evaluation purposes only. These items are sold without warranties of any kind.

(3) **RoHS values:** Yes, No, RoHS Exempt. See the [TI RoHS Statement](#) for additional information and value definition.

(4) **Lead finish/Ball material:** Parts may have multiple material finish options. Finish options are separated by a vertical ruled line. Lead finish/Ball material values may wrap to two lines if the finish value exceeds the maximum column width.

(5) **MSL rating/Peak reflow:** The moisture sensitivity level ratings and peak solder (reflow) temperatures. In the event that a part has multiple moisture sensitivity ratings, only the lowest level per JEDEC standards is shown. Refer to the shipping label for the actual reflow temperature that will be used to mount the part to the printed circuit board.

(6) **Part marking:** There may be an additional marking, which relates to the logo, the lot trace code information, or the environmental category of the part.

Multiple part markings will be inside parentheses. Only one part marking contained in parentheses and separated by a "~" will appear on a part. If a line is indented then it is a continuation of the previous line and the two combined represent the entire part marking for that device.

**Important Information and Disclaimer:** The information provided on this page represents TI's knowledge and belief as of the date that it is provided. TI bases its knowledge and belief on information provided by third parties, and makes no representation or warranty as to the accuracy of such information. Efforts are underway to better integrate information from third parties. TI has taken and continues to take reasonable steps to provide representative and accurate information but may not have conducted destructive testing or chemical analysis on incoming materials and chemicals. TI and TI suppliers consider certain information to be proprietary, and thus CAS numbers and other limited information may not be available for release.

In no event shall TI's liability arising out of such information exceed the total purchase price of the TI part(s) at issue in this document sold by TI to Customer on an annual basis.



**TAPE AND REEL INFORMATION**

**QUADRANT ASSIGNMENTS FOR PIN 1 ORIENTATION IN TAPE**


\*All dimensions are nominal

| Device        | Package Type | Package Drawing | Pins | SPQ  | Reel Diameter (mm) | Reel Width W1 (mm) | A0 (mm) | B0 (mm) | K0 (mm) | P1 (mm) | W (mm) | Pin1 Quadrant |
|---------------|--------------|-----------------|------|------|--------------------|--------------------|---------|---------|---------|---------|--------|---------------|
| OPA2378AIDCNR | SOT-23       | DCN             | 8    | 3000 | 179.0              | 8.4                | 3.2     | 3.2     | 1.4     | 4.0     | 8.0    | Q3            |
| OPA2378AIDCNT | SOT-23       | DCN             | 8    | 250  | 179.0              | 8.4                | 3.2     | 3.2     | 1.4     | 4.0     | 8.0    | Q3            |
| OPA378AIDBVR  | SOT-23       | DBV             | 5    | 3000 | 178.0              | 8.4                | 3.3     | 3.2     | 1.4     | 4.0     | 8.0    | Q3            |
| OPA378AIDBVT  | SOT-23       | DBV             | 5    | 250  | 178.0              | 8.4                | 3.3     | 3.2     | 1.4     | 4.0     | 8.0    | Q3            |
| OPA378AIDCKR  | SC70         | DCK             | 5    | 3000 | 178.0              | 9.0                | 2.4     | 2.5     | 1.2     | 4.0     | 8.0    | Q3            |
| OPA378AIDCKT  | SC70         | DCK             | 5    | 250  | 178.0              | 9.0                | 2.4     | 2.5     | 1.2     | 4.0     | 8.0    | Q3            |

**TAPE AND REEL BOX DIMENSIONS**


\*All dimensions are nominal

| Device        | Package Type | Package Drawing | Pins | SPQ  | Length (mm) | Width (mm) | Height (mm) |
|---------------|--------------|-----------------|------|------|-------------|------------|-------------|
| OPA2378AIDCNR | SOT-23       | DCN             | 8    | 3000 | 213.0       | 191.0      | 35.0        |
| OPA2378AIDCNT | SOT-23       | DCN             | 8    | 250  | 213.0       | 191.0      | 35.0        |
| OPA378AIDBVR  | SOT-23       | DBV             | 5    | 3000 | 445.0       | 220.0      | 345.0       |
| OPA378AIDBVT  | SOT-23       | DBV             | 5    | 250  | 445.0       | 220.0      | 345.0       |
| OPA378AIDCKR  | SC70         | DCK             | 5    | 3000 | 180.0       | 180.0      | 18.0        |
| OPA378AIDCKT  | SC70         | DCK             | 5    | 250  | 180.0       | 180.0      | 18.0        |

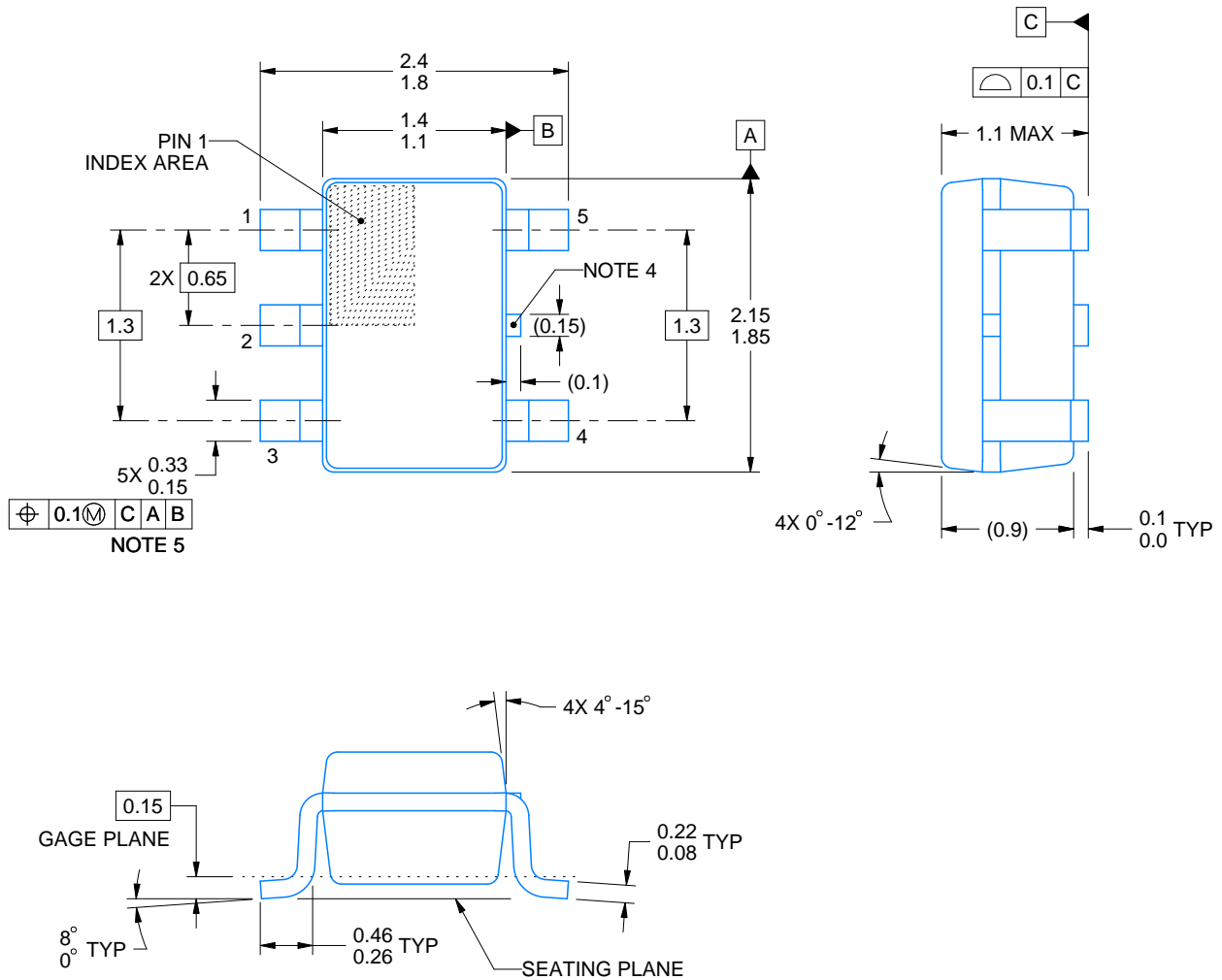
# DCK0005A



## PACKAGE OUTLINE

SOT - 1.1 max height

SMALL OUTLINE TRANSISTOR



4214834/G 11/2024

### NOTES:

1. All linear dimensions are in millimeters. Any dimensions in parenthesis are for reference only. Dimensioning and tolerancing per ASME Y14.5M.
2. This drawing is subject to change without notice.
3. Reference JEDEC MO-203.
4. Support pin may differ or may not be present.
5. Lead width does not comply with JEDEC.
6. Body dimensions do not include mold flash, protrusions, or gate burrs. Mold flash, protrusions, or gate burrs shall not exceed 0.25mm per side

# EXAMPLE BOARD LAYOUT

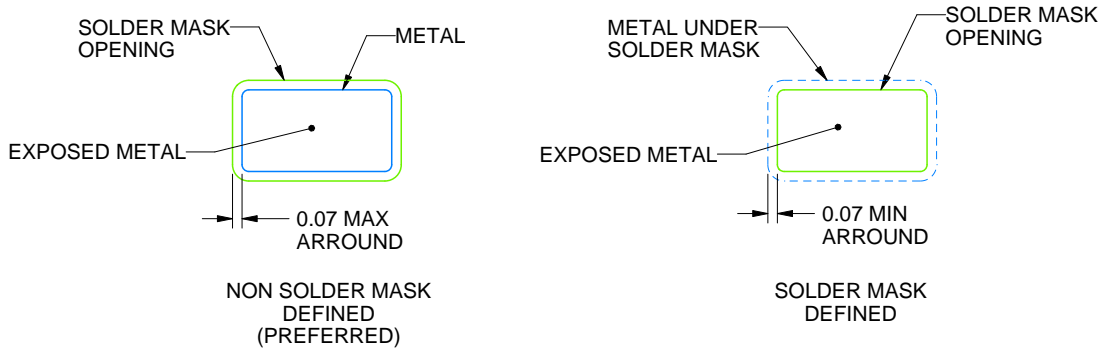
DCK0005A

SOT - 1.1 max height

SMALL OUTLINE TRANSISTOR



LAND PATTERN EXAMPLE  
EXPOSED METAL SHOWN  
SCALE:18X



SOLDER MASK DETAILS

4214834/G 11/2024

NOTES: (continued)

- 7. Publication IPC-7351 may have alternate designs.
- 8. Solder mask tolerances between and around signal pads can vary based on board fabrication site.



# EXAMPLE STENCIL DESIGN

DCK0005A

SOT - 1.1 max height

SMALL OUTLINE TRANSISTOR



SOLDER PASTE EXAMPLE  
BASED ON 0.125 THICK STENCIL  
SCALE:18X

4214834/G 11/2024

NOTES: (continued)

9. Laser cutting apertures with trapezoidal walls and rounded corners may offer better paste release. IPC-7525 may have alternate design recommendations.
10. Board assembly site may have different recommendations for stencil design.

# DBV0005A



## PACKAGE OUTLINE

SOT-23 - 1.45 mm max height

SMALL OUTLINE TRANSISTOR



4214839/K 08/2024

**NOTES:**

1. All linear dimensions are in millimeters. Any dimensions in parenthesis are for reference only. Dimensioning and tolerancing per ASME Y14.5M.
2. This drawing is subject to change without notice.
3. Reference JEDEC MO-178.
4. Body dimensions do not include mold flash, protrusions, or gate burrs. Mold flash, protrusions, or gate burrs shall not exceed 0.25 mm per side.
5. Support pin may differ or may not be present.

# EXAMPLE BOARD LAYOUT

DBV0005A

SOT-23 - 1.45 mm max height

SMALL OUTLINE TRANSISTOR



LAND PATTERN EXAMPLE  
EXPOSED METAL SHOWN  
SCALE:15X



SOLDER MASK DETAILS

4214839/K 08/2024

NOTES: (continued)

- 6. Publication IPC-7351 may have alternate designs.
- 7. Solder mask tolerances between and around signal pads can vary based on board fabrication site.

# EXAMPLE STENCIL DESIGN

DBV0005A

SOT-23 - 1.45 mm max height

SMALL OUTLINE TRANSISTOR



SOLDER PASTE EXAMPLE  
BASED ON 0.125 mm THICK STENCIL  
SCALE:15X

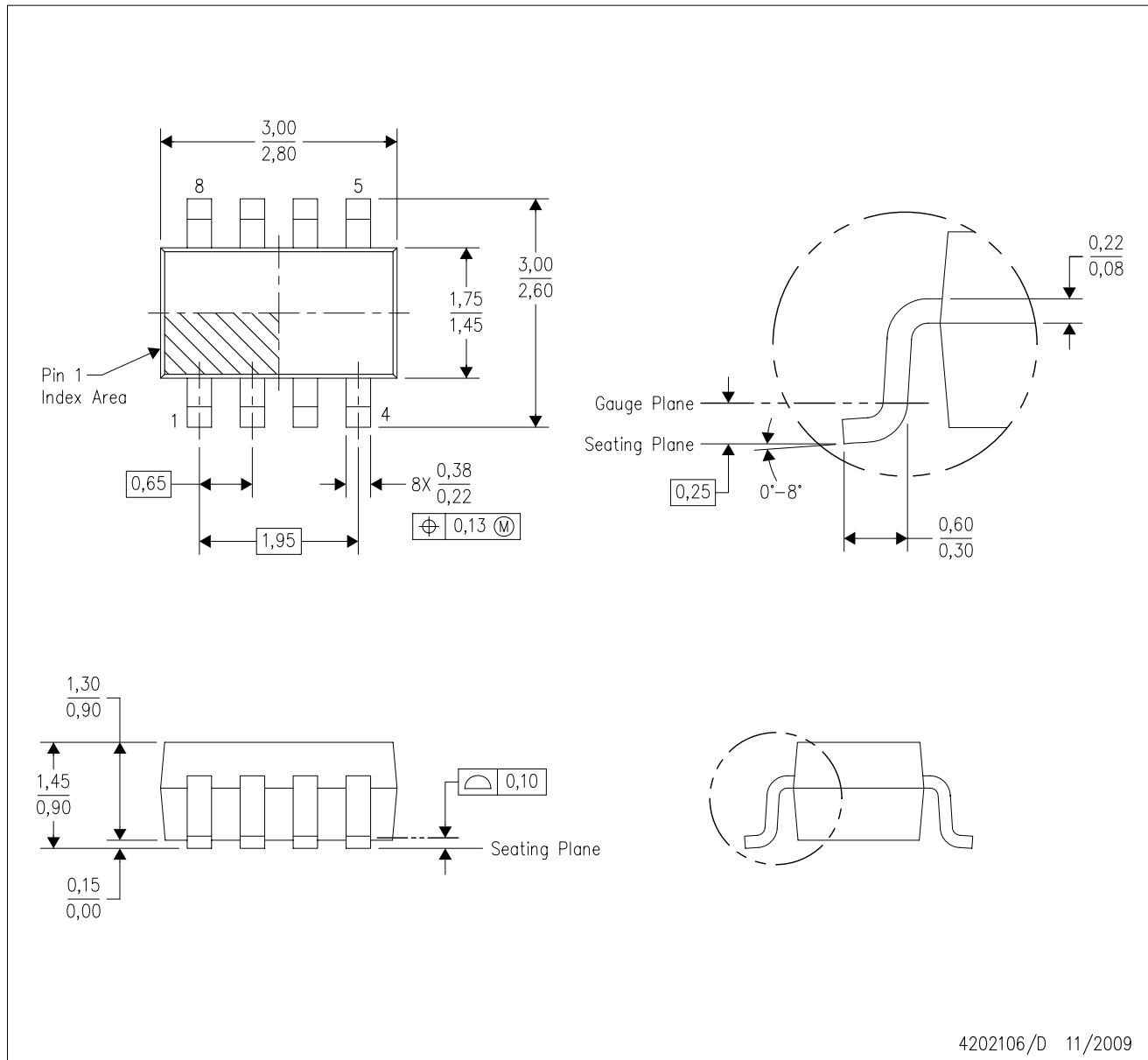
4214839/K 08/2024

NOTES: (continued)

8. Laser cutting apertures with trapezoidal walls and rounded corners may offer better paste release. IPC-7525 may have alternate design recommendations.
9. Board assembly site may have different recommendations for stencil design.

DCN (R-PDSO-G8)

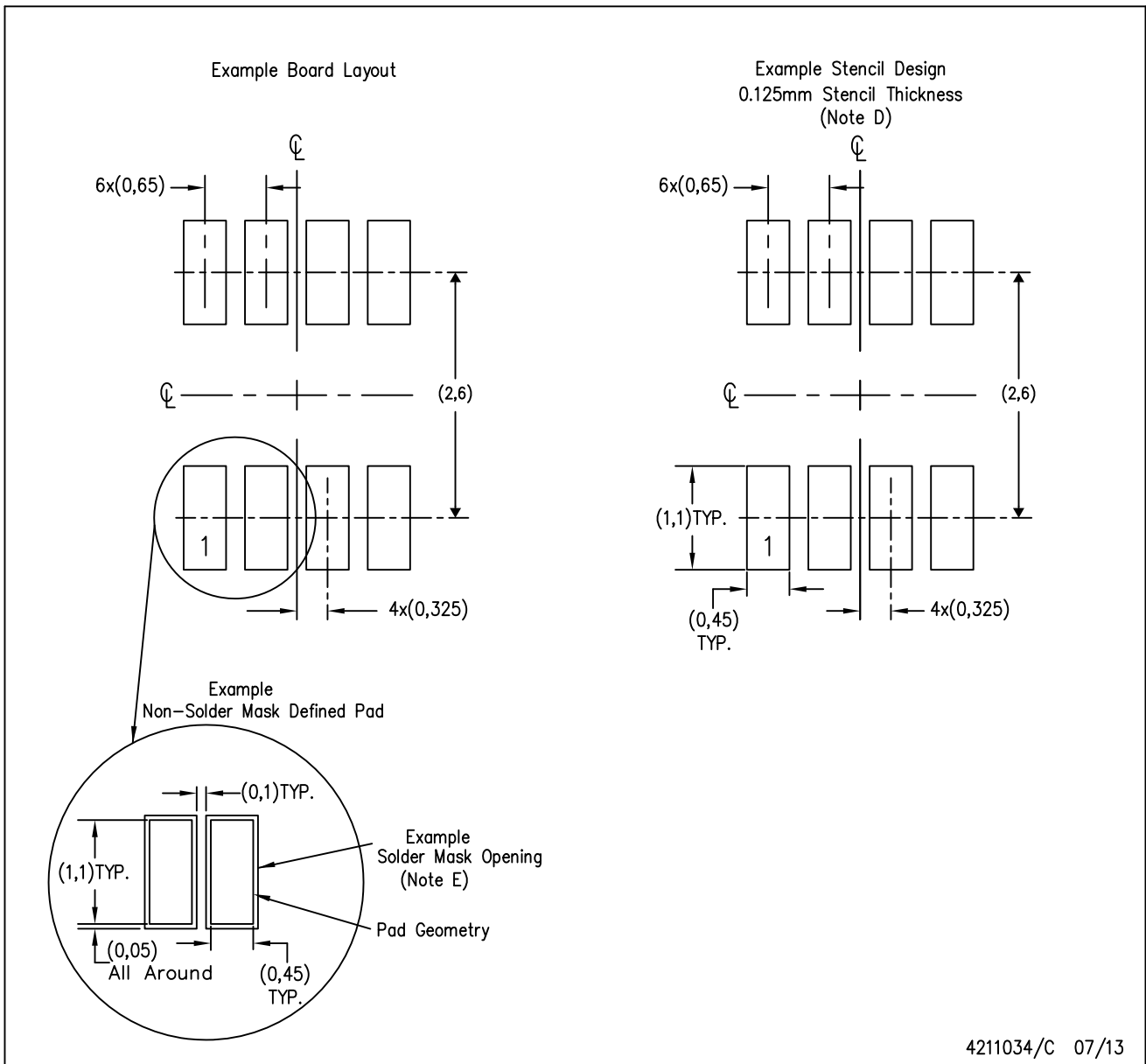
PLASTIC SMALL-OUTLINE PACKAGE (DIE DOWN)



- NOTES:
- A. All linear dimensions are in millimeters.
  - B. This drawing is subject to change without notice.
  - C. Package outline exclusive of metal burr & dambar protrusion/intrusion.
  - D. Package outline inclusive of solder plating.
  - E. A visual index feature must be located within the Pin 1 index area.
  - F. Falls within JEDEC MO-178 Variation BA.
  - G. Body dimensions do not include flash or protrusion. Mold flash and protrusion shall not exceed 0.25 per side.

DCN (R-PDSO-G8)

PLASTIC SMALL-OUTLINE PACKAGE (DIE DOWN)



- NOTES:
- A. All linear dimensions are in millimeters.
  - B. This drawing is subject to change without notice.
  - C. Publication IPC-7351 is recommended for alternate designs.
  - D. Laser cutting apertures with trapezoidal walls and also rounding corners will offer better paste release. Customers should contact their board assembly site for stencil design recommendations. Refer to IPC-7525.
  - E. Customers should contact their board fabrication site for solder mask tolerances between and around signal pads.

## 重要通知和免责声明

TI“按原样”提供技术和可靠性数据（包括数据表）、设计资源（包括参考设计）、应用或其他设计建议、网络工具、安全信息和其他资源，不保证没有瑕疵且不做任何明示或暗示的担保，包括但不限于对适销性、某特定用途方面的适用性或不侵犯任何第三方知识产权的暗示担保。

这些资源可供使用 TI 产品进行设计的熟练开发人员使用。您将自行承担以下全部责任：(1) 针对您的应用选择合适的 TI 产品，(2) 设计、验证并测试您的应用，(3) 确保您的应用满足相应标准以及任何其他功能安全、信息安全、监管或其他要求。

这些资源如有变更，恕不另行通知。TI 授权您仅可将这些资源用于研发本资源所述的 TI 产品的相关应用。严禁以其他方式对这些资源进行复制或展示。您无权使用任何其他 TI 知识产权或任何第三方知识产权。您应全额赔偿因在这些资源的使用中对 TI 及其代表造成的任何索赔、损害、成本、损失和债务，TI 对此概不负责。

TI 提供的产品受 [TI 的销售条款](#) 或 [ti.com](#) 上其他适用条款/TI 产品随附的其他适用条款的约束。TI 提供这些资源并不会扩展或以其他方式更改 TI 针对 TI 产品发布的适用的担保或担保免责声明。

TI 反对并拒绝您可能提出的任何其他或不同的条款。

邮寄地址：Texas Instruments, Post Office Box 655303, Dallas, Texas 75265  
版权所有 © 2025，德州仪器 (TI) 公司