

# LMV1089 Dual Input, Far Field Noise Suppression Microphone Amplifier with Automatic Calibration Capability

Check for Samples: [LMV1089](#)

## FEATURES

- Low Power Consumption
- Shutdown Function
- No Added Processing Delay
- Differential Inputs and Outputs
- Automatic Calibration
- Adjustable 6 - 48dB Gain
- Excellent RF Immunity
- Space-Saving 36-Bump DSBGA Package

## APPLICATIONS

- Headset and Boom Microphones
- Mobile Handsets and Two-Way Radios
- Bluetooth and Other Powered Headsets
- Hand-Held Voice Microphones
- Equalized Stereo Microphone Preamplifier

## KEY SPECIFICATIONS

- Far Field Noise Suppression (Electrical), (f = 1kHz) 37 dB
- Supply Voltage 2.7 to 5.5 V
- Supply Current 1.1 mA (typ)
- Standby Current 0.7  $\mu$ A (typ)
- Signal-to-Noise Ratio (A-weighted) 65 dB (typ)
- Total Harmonic Distortion + Noise 0.1 % (typ)
- PSRR (217Hz) 96 dB (typ)

## DESCRIPTION

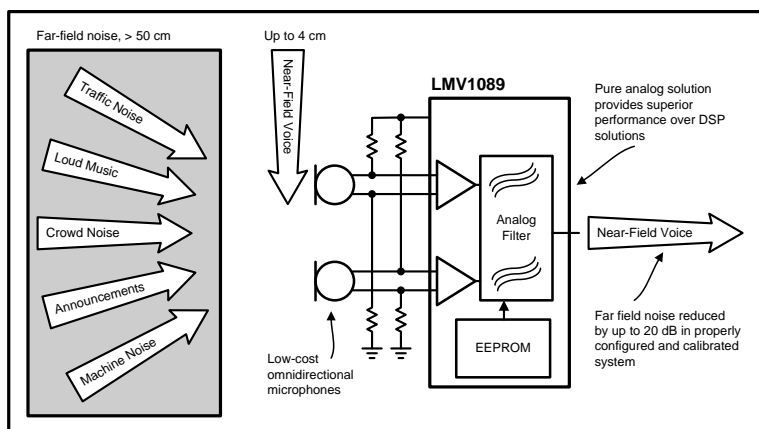
The LMV1089 is a fully analog dual differential input, differential output, microphone array amplifier designed to reduce background acoustic noise, while delivering superb speech clarity in voice communication applications.

The LMV1089 preserves near-field voice signals within 4cm of the microphones while rejecting far-field acoustic noise greater than 50cm from the microphones. Up to 20dB of far-field rejection is possible in a properly configured and calibrated system.

Part of the Powerwise™ family of energy efficient solutions, the LMV1089 consumes only 1.1mA of supply current providing superior performance over DSP solutions consuming greater than ten times the power.

A quick calibration during the manufacturing test process of the product containing the LMV1089 compensates the entire microphone system. This calibration compensates for mismatch in microphone gain and frequency response, as well as acoustical path variances. The LMV1089 stores the calibration coefficients in the on-chip EEPROM. The calibration is initiated by an I<sup>2</sup>C command or by a logic pin control.

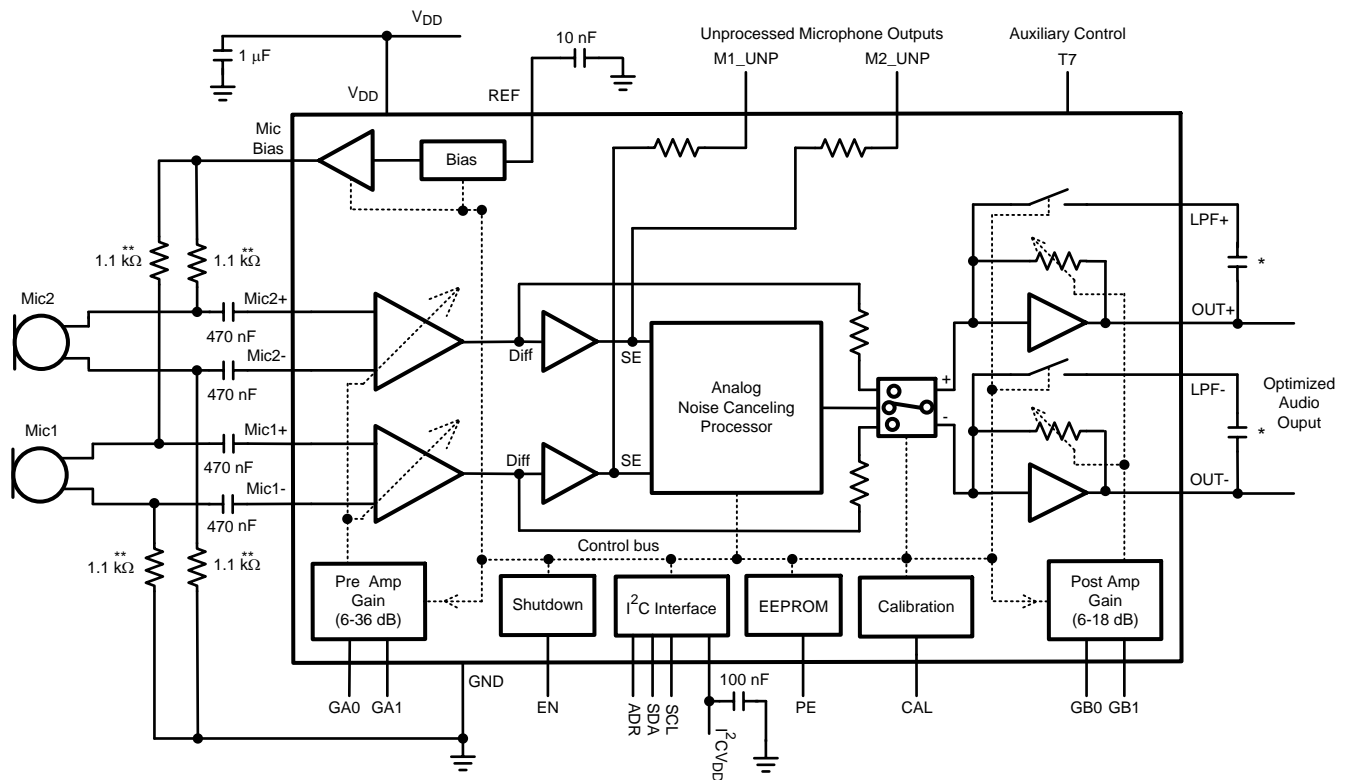
The dual microphone inputs and the processed signal output are differential to provide excellent noise immunity. The microphones are biased with an internal low-noise bias supply.


**Figure 1.**


Please be aware that an important notice concerning availability, standard warranty, and use in critical applications of Texas Instruments semiconductor products and disclaimers thereto appears at the end of this data sheet.

All trademarks are the property of their respective owners.

### Typical Application



\* The value of the low-pass filter capacitor is application dependent, see the application section for additional information.  
 \*\* The value the microphone resistors is a standard value often used for electret microphones.

**Figure 2. Typical Dual Microphone Far Field noise Cancelling Application**

Connection Diagram

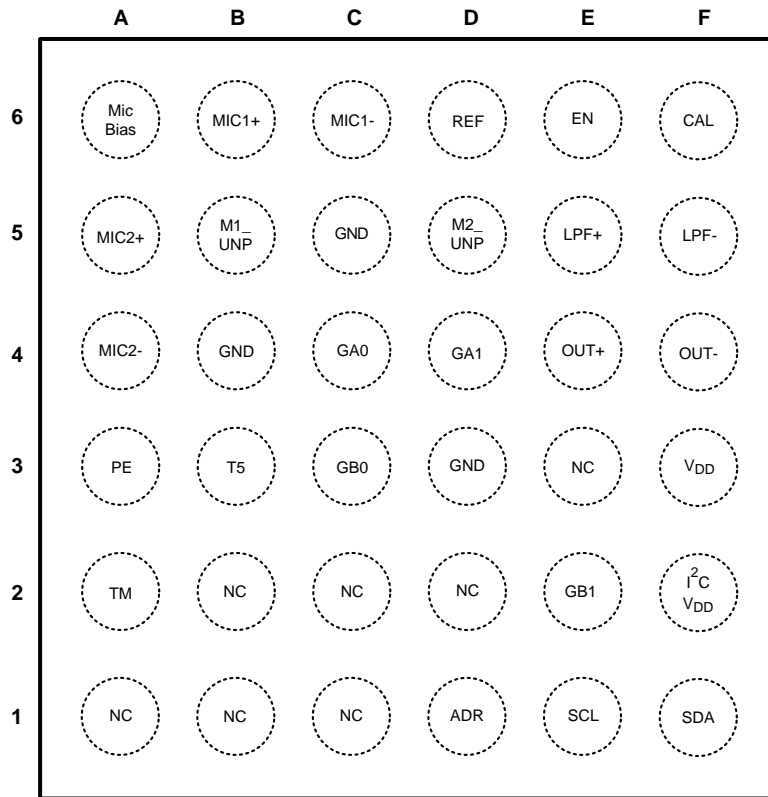


Figure 3. 36-Bump DSBGA package

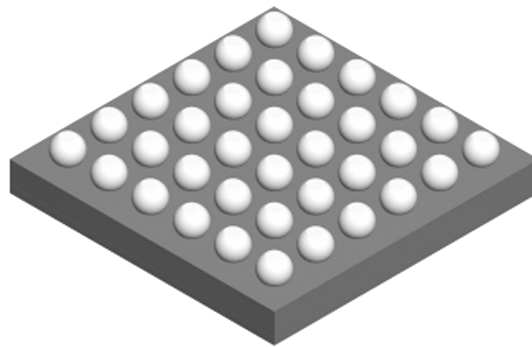


Figure 4. DSBGA Package View Bottom View



**Pin Descriptions (continued)**

C4	GA0	default Pre Amp Gain 0	Digital Input
C5	GND	amplifier ground	Ground
C6	MIC1–	amplifier ground	Analog Input
D1	ADR	I <sup>2</sup> C Address select	Digital Input
D2	NC	No Connect	No Connect
D3	GND	amplifier ground	Ground
D4	GA1	default Pre Amp Gain 1	Digital Input
D5	M2_UNP	microphone 2 unprocessed output	Analog Output
D6	REF	reference voltage de-coupling	Analog Reference
E1	SCL	I <sup>2</sup> C clock	Digital Input
E2	GB1	default Post Amp Gain 1	Digital Input
E3	NC	No Connect	No Connect
E4	OUT+	positive optimized audio output	Analog Output
E5	LPF+	Low Pass Filter for positive output	Analog Input
E6	EN	chip enable	Digital Input
F1	SDA	I <sup>2</sup> C data	Digital Input/Output
F2	I <sup>2</sup> CV <sub>DD</sub>	I <sup>2</sup> C power supply	Supply
F3	V <sub>DD</sub>	power supply	Supply
F4	OUT-	negative optimized audio output	Analog Output
F5	LPF-	Low Pass Filter for negative output	Analog Input
F6	CAL	calibration enable	Digital Input



These devices have limited built-in ESD protection. The leads should be shorted together or the device placed in conductive foam during storage or handling to prevent electrostatic damage to the MOS gates.

**ABSOLUTE MAXIMUM RATINGS** <sup>(1)(2)</sup>

Supply Voltage	6.0V
Storage Temperature	-85°C to +150°C
Power Dissipation <sup>(3)</sup>	Internally Limited
ESD Rating <sup>(4)</sup>	2000V
ESD Rating <sup>(5)</sup>	200V
Junction Temperature (T <sub>JMAX</sub> )	150°C
Mounting Temperature Infrared or Convection (20 sec.)	235°C
Thermal Resistance	θ <sub>JA</sub> (DSBGA)
	70°C/W
Soldering Information See AN-1112 (SNVA009) "DSBGA Wafers Level Chip Scale Package."	

- (1) "Absolute Maximum Ratings" indicate limits beyond which damage to the device may occur, including inoperability and degradation of device reliability and/or performance. Functional operation of the device and/or non-degradation at the *Absolute Maximum Ratings* or other conditions beyond those indicated in the *Recommended Operating Conditions* is not implied. The *Recommended Operating Conditions* indicate conditions at which the device is functional and the device should not be operated beyond such conditions. All voltages are measured with respect to the ground pin, unless otherwise specified.
- (2) If Military/Aerospace specified devices are required, please contact the Texas Instruments Sales Office/ Distributors for availability and specifications.
- (3) The maximum power dissipation must be de-rated at elevated temperatures and is dictated by T<sub>JMAX</sub>, θ<sub>JC</sub>, and the ambient temperature T<sub>A</sub>. The maximum allowable power dissipation is P<sub>DMAX</sub> = (T<sub>JMAX</sub> – T<sub>A</sub>) / θ<sub>JA</sub> or the number given in the *Absolute Maximum Ratings*, whichever is lower. For the LMV1089, T<sub>JMAX</sub> = 150°C and the typical θ<sub>JA</sub> for this DSBGA package is 70°C/W and for the LLP package θ<sub>JA</sub> is 64°C/W Refer to the Thermal Considerations section for more information.
- (4) Human body model, applicable std. JESD22-A114C.
- (5) Machine model, applicable std. JESD22-A115-A.

**OPERATING RATINGS** <sup>(1)</sup>

Supply Voltage	$2.7V \leq V_{DD} \leq 5.5V$
$I^2CV_{DD}$ Supply Voltage <sup>(2)</sup>	$1.7V \leq I^2CV_{DD} \leq 5.5V$
Temperature Range	$-40^\circ\text{C}$ to $85^\circ\text{C}$
$T_{MIN} \leq T_A \leq T_{MAX}$	$-40^\circ\text{C} \leq T_A \leq +85^\circ\text{C}$

- (1) The *Electrical Characteristics* tables list ensured specifications under the listed *Recommended Operating Conditions* except as otherwise modified or specified by the *Electrical Characteristics Conditions* and/or Notes. Typical specifications are estimations only and are not ensured.
- (2) The voltage at  $I^2CV_{DD}$  must not exceed the voltage on  $V_{DD}$ .

**ELECTRICAL CHARACTERISTICS 3.3V** <sup>(1)</sup>

Unless otherwise specified, all limits specified for  $T_J = 25^\circ\text{C}$ ,  $V_{DD} = 3.3V$ ,  $V_{IN} = 18mV_{P-P}$ ,  $f = 1\text{kHz}$ ,  $EN = V_{DD}$ , pass through mode <sup>(2)</sup>, Pre Amp gain = 20dB, Post Amp gain = 6dB,  $R_L = 100k\Omega$ , and  $C_L = 4.7pF$ ,  $C_{REF} = 10nF$

Symbol	Parameter	Conditions	LMV1089		Units (Limits)
			Typical <sup>(3)</sup>	Limits <sup>(4)</sup>	
SNR	Signal-to-Noise Ratio	$f = 1\text{kHz}$ , $V_{IN} = 18mV_{P-P}$	63		dB
		$f = 1\text{kHz}$ , $V_{IN} = 18mV_{P-P}$ , A-Weighted voice band (300 – 3400Hz)	65		dB
$e_N$	Input Referred Noise level	A-weighted	5		$\mu V_{RMS}$
$V_{IN}$	Maximum Input Signal	THD+N < 1%, Pre Amp Gain = 6dB	910	850	$mV_{P-P}$ (min)
$V_{OUT}$	Maximum AC Output Voltage	$f = 1\text{kHz}$ , Differential Out+, Out- THD+N < 1%	1.2	1.1	$V_{RMS}$ (min)
	DC Level at Outputs	Out+, Out-	800		mV
THD+N	Total Harmonic Distortion + Noise	Differential Out+ and Out-	0.1	0.2	% (max)
$Z_{IN}$	Input Impedance		142		k $\Omega$
$Z_{OUT}$	Output Impedance		300		$\Omega$
$Z_{LOAD}$	Load Impedance (Out+, Out-)	$R_{LOAD}$		10	k $\Omega$ (min)
		$C_{LOAD}$		100	pF (max)
$A_M$	Microphone Preamplifier Gain Range		6 – 36		dB
$A_{MR}$	Microphone Preamplifier Gain Adjustment Resolution	$f = 1\text{kHz}$	2	1.7 2.3	dB (min) dB (max)
$A_P$	Post Amplifier Gain Range	Pass Through Mode and Summing Mode	6 – 18		dB
$A_{PR}$	Post Amplifier Gain Resolution		3	2.6 3.4	dB (min) dB (max)
$A_{CR}$	Gain Compensation Range		$\pm 3$		dB
$A_{MD}$	Maximum Gain Matching Difference After Calibration	$f = 300\text{Hz}$	0.5		dB
		$f = 1\text{kHz}$	0.25		dB
		$f = 3\text{kHz}$	0.5		dB
$X_{Talk}$	Crosstalk Attenuation between Mic1 and Mic2	Measured at M1_UNP and M2_UNP	52	41	dB (min)
$T_{CAL}$	Calibration Duration			790	ms (max)
FFNS <sub>E</sub>	Far Field Noise Suppression Electrical	$f = 1\text{kHz}$ (See <a href="#">TEST METHODS</a> )	32	20	dBV (min)
		$f = 300\text{Hz}$ (See <a href="#">TEST METHODS</a> )	37	22	dBV (min)
SNRI <sub>E</sub>	Signal-to-Noise Ratio Improvement Electrical	$f = 1\text{kHz}$ (See <a href="#">TEST METHODS</a> )	24	14	dBV (min)
		$f = 300\text{Hz}$ (See <a href="#">TEST METHODS</a> )	28	15	dBV (min)

- (1) “*Absolute Maximum Ratings*” indicate limits beyond which damage to the device may occur, including inoperability and degradation of device reliability and/or performance. Functional operation of the device and/or non-degradation at the *Absolute Maximum Ratings* or other conditions beyond those indicated in the *Recommended Operating Conditions* is not implied. The *Recommended Operating Conditions* indicate conditions at which the device is functional and the device should not be operated beyond such conditions. All voltages are measured with respect to the ground pin, unless otherwise specified.
- (2) The voltage at  $I^2CV_{DD}$  must not exceed the voltage on  $V_{DD}$ .
- (3) Typical values represent most likely parametric norms at  $T_A = +25^\circ\text{C}$ , and at the Recommended Operation Conditions at the time of product characterization and are not specified.
- (4) Datasheet min/max specification limits are ensured by test, or statistical analysis.

### ELECTRICAL CHARACTERISTICS 3.3V <sup>(1)</sup> (continued)

Unless otherwise specified, all limits specified for  $T_J = 25^\circ\text{C}$ ,  $V_{DD} = 3.3\text{V}$ ,  $V_{IN} = 18\text{mV}_{P-P}$ ,  $f = 1\text{kHz}$ ,  $EN = V_{DD}$ , pass through mode <sup>(2)</sup>, Pre Amp gain = 20dB, Post Amp gain = 6dB,  $R_L = 100\text{k}\Omega$ , and  $C_L = 4.7\text{pF}$ ,  $C_{REF} = 10\text{nF}$

PSRR	Power Supply Rejection Ratio	Input Referred, Input AC grounded			
		$f_{RIPPLE} = 217\text{Hz}$ ( $V_{RIPPLE} = 100\text{mV}_{P-P}$ )	96	85	dB (min)
		$f_{RIPPLE} = 1\text{kHz}$ ( $V_{RIPPLE} = 100\text{mV}_{P-P}$ )	91	80	dB (min)
CMRR	Common Mode Rejection Ratio	$f = 1\text{kHz}$	60		dB
$V_{BM}$	Microphone Bias Supply Voltage	$I_{BIAS} = 1\text{mA}$	2.0	1.85 2.15	V (min) V (max)
$e_{VBM}$	Microphone Bias Noise Level	A-Weighted, 10nF cap at $V_{REF}$ pin	10		$\mu\text{V}_{RMS}$
$I_{BM}$	Total available Microphone Bias Current			1.2	mA (min)
$I_{DDQ}$	Supply Quiescent Current	$V_{IN} = 0\text{V}$	1.1	1.5	mA (max)
$I_{DD}$	Supply Current	$V_{IN} = 25\text{mV}_{P-P}$ both inputs, Noise cancelling mode	1.1		mA
$I_{SD}$	Shut Down Current	EN pin = GND	0.7	1	$\mu\text{A}$ (max)
$I_{DDCP}$	Supply Current during Calibration and Programming	Calibrating or Programming EEPROM	30	45	mA (max)
$I_{DD}^2\text{C}$	I <sup>2</sup> C supply current	I <sup>2</sup> C Idle Mode	25	100	nA (max)
$T_{ON}$	Turn On Time			40	ms (max)
$T_{OFF}$	Turn Off Time			60	ms (max)

### ELECTRICAL CHARACTERISTICS 5.0V <sup>(1)</sup>

Unless otherwise specified, all limits specified for  $T_J = 25^\circ\text{C}$ ,  $V_{DD} = 5\text{V}$ ,  $V_{IN} = 18\text{mV}_{P-P}$ ,  $EN = V_{DD}$ , pass through mode <sup>(2)</sup>, Pre Amp gain = 20dB, Post Amp gain = 6dB,  $R_L = 100\text{k}\Omega$ , and  $C_L = 4.7\text{pF}$ .

Symbol	Parameter	Conditions	LMV1089		Units (Limits)
			Typical <sup>(3)</sup>	Limit <sup>(4)</sup>	
SNR	Signal-to-Noise Ratio	$f = 1\text{kHz}$ , $V_{IN} = 18\text{mV}_{P-P}$	63		dB
		$f = 1\text{kHz}$ , $V_{IN} = 18\text{mV}_{P-P}$ , A-Weighted voice band (300 – 3400Hz)	65		dB
$e_N$	Input Referred Noise level	A-weighted	5		$\mu\text{V}_{RMS}$
$V_{IN}$	Maximum Input Signal	$f = 1\text{kHz}$ , THD+N < 1%	918	850	$\text{mV}_{P-P}$ (min)
$V_{OUT}$	Maximum AC Output Voltage	$f = 1\text{kHz}$ , THD+N < 1% between differential output	1.2	1.1	$V_{RMS}$ (min)
	DC Output Voltage		800		mV
THD+N	Total Harmonic Distortion + Noise	$f = 1\text{kHz}$ $V_{IN} = 18\text{mV}_{P-P}$	0.1	0.2	% (max)
$Z_{IN}$	Input Impedance		142		k $\Omega$
$Z_{OUT}$	Output Impedance		300		$\Omega$
$A_M$	Microphone Preamp Gain Range	$f = 1\text{kHz}$	6 – 36		dB
$A_{MR}$	Microphone Preamp Gain Adjustment Resolution	$f = 1\text{kHz}$	2	1.7 2.3	dB (min) dB (max)
$A_P$	Post Amplifier Gain Range	$f = 1\text{kHz}$ Pass Through Mode and Summing Mode	6 – 18		dB
$A_{PR}$	Post Amplifier Gain Adjustment Resolution	$f = 1\text{kHz}$	3	2.6	dB (min)
				3.4	dB (max)
$A_{CR}$	Gain Compensation Range	$f = 1\text{kHz}$	$\pm 3$		dB

- (1) "Absolute Maximum Ratings" indicate limits beyond which damage to the device may occur, including inoperability and degradation of device reliability and/or performance. Functional operation of the device and/or non-degradation at the Absolute Maximum Ratings or other conditions beyond those indicated in the Recommended Operating Conditions is not implied. The Recommended Operating Conditions indicate conditions at which the device is functional and the device should not be operated beyond such conditions. All voltages are measured with respect to the ground pin, unless otherwise specified.
- (2) The voltage at I<sup>2</sup>CV<sub>DD</sub> must not exceed the voltage on V<sub>DD</sub>.
- (3) Typical values represent most likely parametric norms at  $T_A = +25^\circ\text{C}$ , and at the Recommended Operation Conditions at the time of product characterization and are not specified.
- (4) Datasheet min/max specification limits are ensured by test, or statistical analysis.

## ELECTRICAL CHARACTERISTICS 5.0V<sup>(1)</sup> (continued)

Unless otherwise specified, all limits specified for  $T_J = 25^\circ\text{C}$ ,  $V_{DD} = 5\text{V}$ ,  $V_{IN} = 18\text{mV}_{P-P}$ ,  $EN = V_{DD}$ , pass through mode<sup>(2)</sup>, Pre Amp gain = 20dB, Post Amp gain = 6dB,  $R_L = 100\text{k}\Omega$ , and  $C_L = 4.7\text{pF}$ .

Symbol	Parameter	Conditions	LMV1089		Units (Limits)
			Typical <sup>(3)</sup>	Limit <sup>(4)</sup>	
$A_{MD}$	Maximum Gain Matching Difference After Calibration	f = 300Hz f = 2kHz f = 3kHz	0.5 0.25 0.5		dB dB dB
$T_{CAL}$	Calibration Duration			790	ms (max)
$FFNS_E$	Far Field Noise Suppression Electrical	f = 1kHz (See TEST METHODS) f = 300Hz (See TEST METHODS)	32 37	20 22	dBV dBV
$SNRI_E$	Signal-to-Noise Ratio Improvement Electrical	f = 1kHz (See TEST METHODS) f = 300Hz (See TEST METHODS)	24 28	14 15	dBV dBV
$PSRR$	Power Supply Rejection Ratio	Input Referred, Input AC grounded			
		$f_{RIPPLE} = 217\text{Hz}$ ( $V_{RIPPLE} = 100\text{mV}_{P-P}$ )	96	85	dB (min)
		$f_{RIPPLE} = 1\text{kHz}$ ( $V_{RIPPLE} = 100\text{mV}_{P-P}$ )	91	80	dB (min)
$CMRR$	Common Mode Rejection Ratio	f = 1kHz	62		dB
$V_{BM}$	Microphone Bias Supply Voltage	$I_{BIAS} = 1\text{mA}$	2.0		V
$e_{VBM}$	Microphone Bias Noise Level	A-Weighted	10		$\mu\text{V}_{RMS}$
$I_{BM}$	Total Available Microphone Bias Current			1.2	mA (min)
$I_{DDQ}$	Supply Quiescent Current	$V_{IN} = 0\text{V}$	1.1	1.5	mA (max)
$I_{DDCP}$	Supply Current during Calibration and Programming	Calibrating or Programming EEPROM	30		mA (max)
$I_{DD}$	Supply Current	$V_{IN} = 25\text{mV}_{P-P}$ both inputs, Noise cancelling mode	1.1		mA (max)
$I_{SD}$	Shut Down Current	EN pin = GND	1.6		$\mu\text{A}$
$T_{ON}$	Turn On Time			40	ms (max)
$T_{OFF}$	Turn Off Time			60	ms (max)

## DIGITAL INTERFACE CHARACTERISTICS <sup>(1)(2)</sup>

Unless otherwise specified, all limits specified for  $T_J = 25^\circ\text{C}$ ,  $I^2\text{CV}_{DD}$  within the Operating Rating <sup>(2)</sup>

Symbol	Parameter	Conditions	LMV1089		Units (Limits)
			Typical <sup>(3)</sup>	Limit <sup>(4)</sup>	
$V_{IH}$	Logic High Input Level	EN, TM, SCL, SDA, ADR, CAL, PE		$0.75 \times I^2\text{CV}_{DD}$	V (min)
		GA0, GA1, GB0, GB1		$0.6 \times V_{DD}$	
$V_{IL}$	Logic Low Input Level	EN, TM, SCL, SDA, ADR, CAL, PE		$0.25 \times I^2\text{CV}_{DD}$	V (max)
		GA0, GA1, GB0		$0.4 \times V_{DD}$	
$t_{SCAL}$	CAL Setup Time		2		ms
$th_{CAL}$	CAL Hold time until calibration is finished			790	ms (min)
$t_{SPEC}$	PE Setup Time		2		ms
$th_{PEC}$	PE Hold until calibration is finished			790	ms (min)

- (1) "Absolute Maximum Ratings" indicate limits beyond which damage to the device may occur, including inoperability and degradation of device reliability and/or performance. Functional operation of the device and/or non-degradation at the Absolute Maximum Ratings or other conditions beyond those indicated in the Recommended Operating Conditions is not implied. The Recommended Operating Conditions indicate conditions at which the device is functional and the device should not be operated beyond such conditions. All voltages are measured with respect to the ground pin, unless otherwise specified.
- (2) The voltage at  $I^2\text{CV}_{DD}$  must not exceed the voltage on  $V_{DD}$ .
- (3) Typical values represent most likely parametric norms at  $T_A = +25^\circ\text{C}$ , and at the Recommended Operation Conditions at the time of product characterization and are not specified.
- (4) Datasheet min/max specification limits are ensured by test, or statistical analysis.



## TEST METHODS

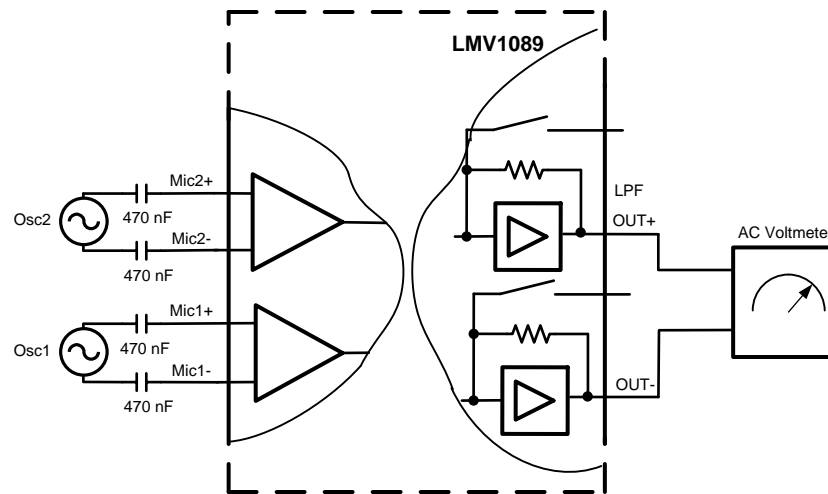


Figure 7.  $FFNS_E$ ,  $NFSL_E$ ,  $SNRI_E$  Test Circuit

### FAR FIELD NOISE SUPPRESSION ( $FFNS_E$ )

For optimum noise suppression the far field noise should be in a broadside array configuration from the two microphones (see Figure 34). Which means the far field sound source is equidistance from the two microphones. This configuration allows the amplitude of the far field signal to be equal at the two microphone inputs, however a slight phase difference may still exist. To simulate a real world application a slight phase delay was added to the  $FFNS_E$  test. The block diagram from Figure 7 is used with the following procedure to measure the  $FFNS_E$ .

1. A sine wave with equal frequency and amplitude ( $25mV_{P-P}$ ) is applied to Mic1 and Mic2. Using a signal generator, the phase of Mic 2 is delayed by  $1.1^\circ$  when compared with Mic1.
2. Measure the output level in dBV (X)
3. Mute the signal from Mic2
4. Measure the output level in dBV (Y)
5.  $FFNS_E = Y - X$  dB

### NEAR FIELD SPEECH LOSS ( $NFSL_E$ )

For optimum near field speech preservation, the sound source should be in an endfire array configuration from the two microphones (see Figure 34). In this configuration the speech signal at the microphone closest to the sound source will have greater amplitude than the microphone further away. Additionally the signal at microphone further away will experience a phase lag when compared with the closer microphone. To simulate this, phase delay as well as amplitude shift was added to the  $NFSL_E$  test. The schematic from Figure 7 is used with the following procedure to measure the  $NFSL_E$ .

1. A  $25mV_{P-P}$  and  $17.25mV_{P-P}$  ( $0.69 \cdot 25mV_{P-P}$ ) sine wave is applied to Mic1 and Mic2 respectively. Once again, a signal generator is used to delay the phase of Mic2 by  $15.9^\circ$  when compared with Mic1.
2. Measure the output level in dBV (X)
3. Mute the signal from Mic2
4. Measure the output level in dBV (Y)
5.  $NFSL_E = Y - X$  dB

### SINGLE TO NOISE RATIO IMPROVEMENT ELECTRICAL ( $SNRI_E$ )

The  $SNRI_E$  is the ratio of  $FFNS_E$  to  $NFSL_E$  and is defined as:

$$SNRI_E = FFNS_E - NFSL_E$$

**TYPICAL PERFORMANCE CHARACTERISTICS**

Unless otherwise specified,  $T_J = 25^\circ\text{C}$ ,  $V_{DD} = 3.3\text{V}$ , Input Voltage =  $18\text{mV}_{\text{P-P}}$ ,  $f = 1\text{ kHz}$ , pass through mode (The voltage at  $I^2\text{C}V_{DD}$  must not exceed the voltage on  $V_{DD}$ ), Pre Amp gain = 20dB, Post Amp gain = 6dB,  $R_L = 100\text{k}\Omega$ , and  $C_L = 4.7\text{pF}$ .

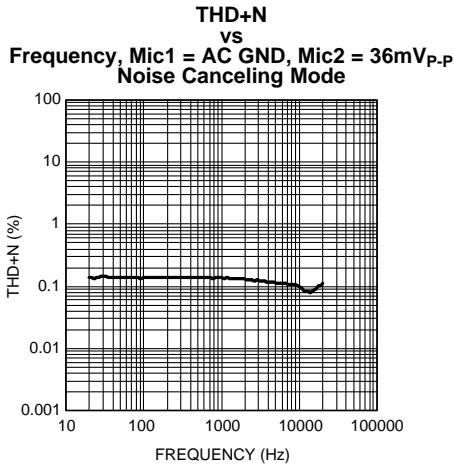


Figure 8.

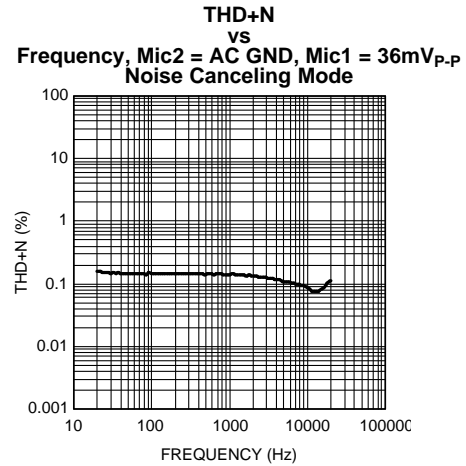


Figure 9.

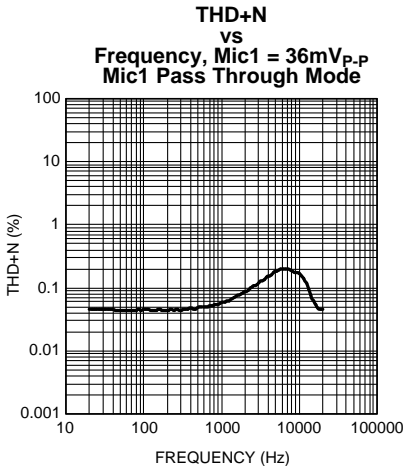


Figure 10.

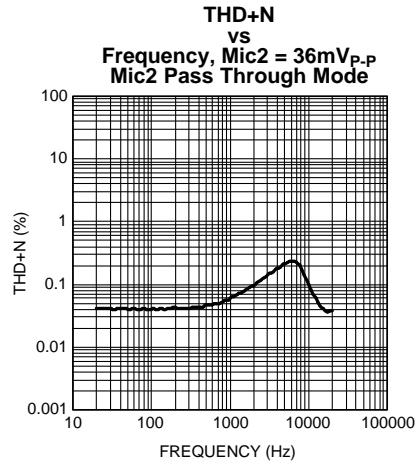


Figure 11.

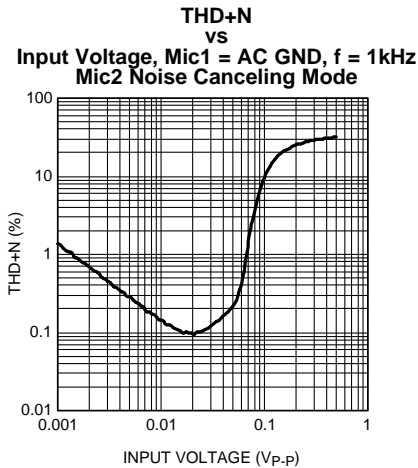


Figure 12.

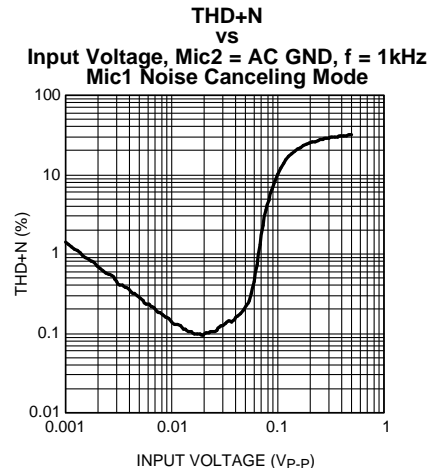


Figure 13.

**TYPICAL PERFORMANCE CHARACTERISTICS (continued)**

Unless otherwise specified,  $T_J = 25^\circ\text{C}$ ,  $V_{DD} = 3.3\text{V}$ , Input Voltage =  $18\text{mV}_{P-P}$ ,  $f = 1\text{kHz}$ , pass through mode (The voltage at  $I^2\text{C}V_{DD}$  must not exceed the voltage on  $V_{DD}$ ), Pre Amp gain = 20dB, Post Amp gain = 6dB,  $R_L = 100\text{k}\Omega$ , and  $C_L = 4.7\text{pF}$ .

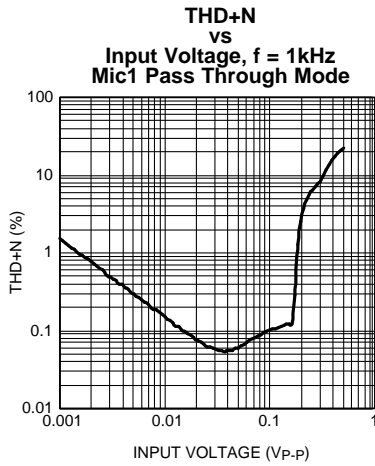


Figure 14.

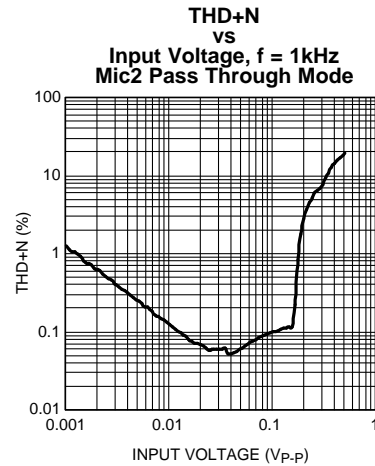


Figure 15.

**PSRR  
vs  
Frequency, Pre Amp Gain = 20dB, Post Amp Gain = 6dB  
 $V_{RIPPLE} = 100\text{mV}_{P-P}$ , Mic1 = Mic2 = AC GND  
Mic1 Pass Through Mode**

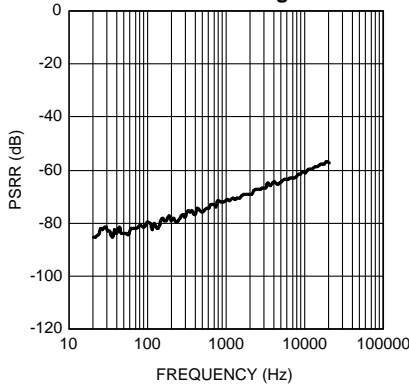


Figure 16.

**PSRR  
vs  
Frequency, Pre Amp Gain = 20dB, Post Amp Gain = 6dB  
 $V_{RIPPLE} = 100\text{mV}_{P-P}$ , Mic1 = Mic2 = AC GND  
Mic2 Pass Through Mode**

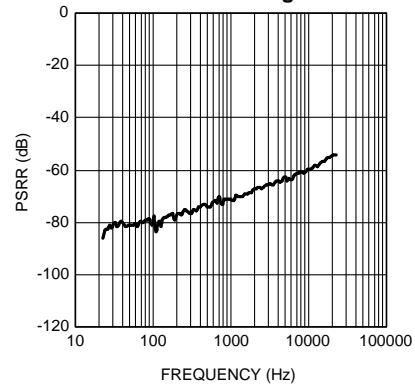


Figure 17.

**PSRR  
vs  
Frequency, Pre Amp Gain = 20dB, Post Amp Gain = 6dB  
 $V_{RIPPLE} = 100\text{mV}_{P-P}$ , Mic1 = Mic2 = AC GND  
Noise Canceling Mode**

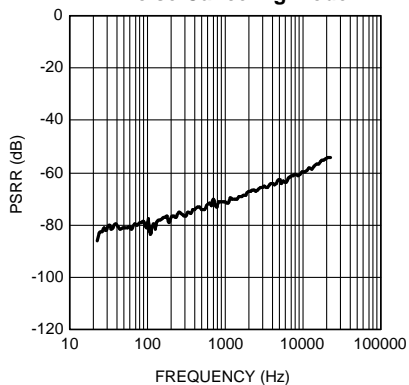


Figure 18.

**Far Field Noise Suppression Electrical  
vs  
Frequency**

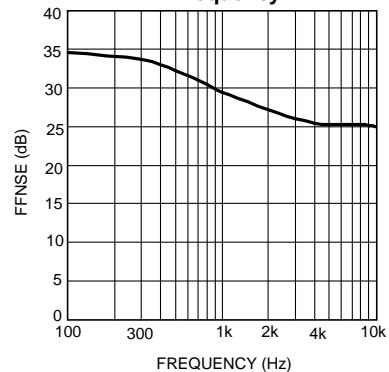
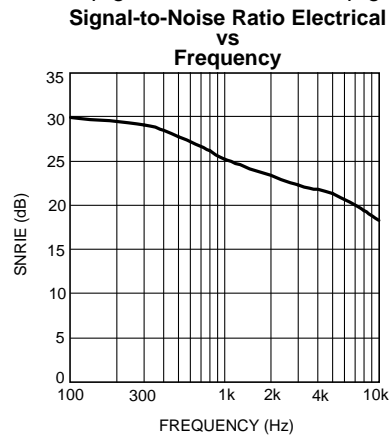


Figure 19.

**TYPICAL PERFORMANCE CHARACTERISTICS (continued)**

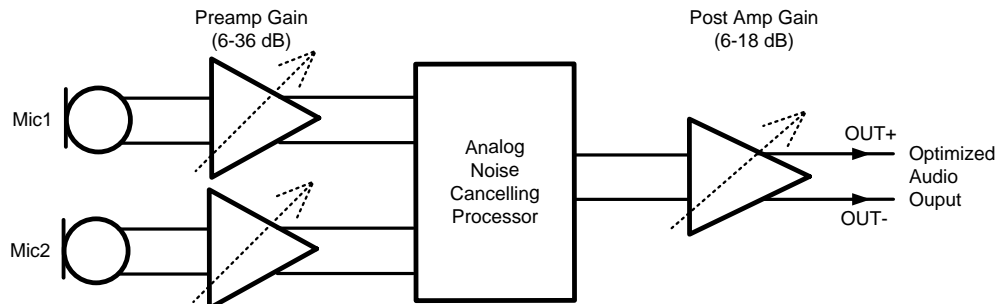
Unless otherwise specified,  $T_J = 25^\circ\text{C}$ ,  $V_{DD} = 3.3\text{V}$ , Input Voltage =  $18\text{mV}_{P-P}$ ,  $f = 1\text{ kHz}$ , pass through mode (The voltage at  $I^2C_{V_{DD}}$  must not exceed the voltage on  $V_{DD}$ ), Pre Amp gain =  $20\text{dB}$ , Post Amp gain =  $6\text{dB}$ ,  $R_L = 100\text{k}\Omega$ , and  $C_L = 4.7\text{pF}$ .

**Figure 20.**

## APPLICATION DATA

### INTRODUCTION

The LMV1089 is a fully analog single chip solution to reduce the far field noise picked up by microphones in a communication system. A simplified block diagram is provided in [Figure 21](#).



**Figure 21. Simplified Block Diagram of the LMV1089**

The output signal of the microphones is first amplified by a pre-amplifier stage with an adjustable gain of 6dB to 36dB. The signal is then processed by the noise cancelling processor. The noise cancelling processor matches the gain and frequency responses of the microphones and the acoustic characteristics of the enclosure using coefficients derived during the auto-calibration step and the stored in EEPROM. The resulting noise-suppressed signal is then amplified by the 6dB to 18dB gain-adjustable post-amplifier. For optimum noise and EMI immunity, the microphones have a differential connection to the LMV1089 and the output of the LMV1089 is also differential. The adjustable gain functions can be controlled via I<sup>2</sup>C and four control pins. Both methods are described later in the application section.

### Power Supply Circuits

A low drop-out (LDO) voltage regulator in the LMV1089 allows the device to be independent of supply voltage variations.

The Power On Reset (POR) circuitry in the LMV1089 requires the supply voltage to rise from 0V to V<sub>DD</sub> in less than 100ms.

The Mic Bias output is provided as a low noise supply source for the electret microphones. The noise voltage on the Mic Bias microphone supply output pin depends on the noise voltage on the internal the reference node. The de-coupling capacitor on the V<sub>REF</sub> pin determines the noise voltage on this internal reference. This capacitor should be larger than 1nF; having a larger capacitor value will result in a lower noise voltage on the Mic Bias output.

Most of the logic levels for the digital control interface are relative to I<sup>2</sup>C V<sub>DD</sub> voltage. This eases interfacing to the micro controller of the application containing the LMV1089. The supply voltage on the I<sup>2</sup>C V<sub>DD</sub> pin must never exceed the voltage on the V<sub>DD</sub> pin.

Only the four pins that determine the default power up gain (as described in [SETTING ADJUSTABLE GAIN](#)) have logic levels relative to V<sub>DD</sub>.

### Shutdown Function

As part of the Powerwise™ family, the LMV1089 consumes only 1.1mA of current. In many applications the part does not need to be continuously operational. To further reduce the power consumption in the inactive period, the LMV1089 provides two individual microphone power down functions. When either one of the shutdown functions is activated the part will go into shutdown mode consuming only a few μA of supply current.

### SHUTDOWN VIA HARDWARE PIN

The hardware shutdown function is operated via the EN pin. In normal operation the EN pin must be at a 'high' level (V<sub>DD</sub>). Whenever a 'low' level (GND) is applied to the EN pin the part will go into shutdown mode disabling all internal circuits.

## SHUTDOWN VIA I<sup>2</sup>C

The LMV1089 offers an additional shutdown function by reprogramming an I<sup>2</sup>C register (see [Table 5](#)). The LMV1089 will only consume power in a mode where it can perform its normal functions. So at least one of the microphone amplifier circuits must be enabled ('1'). Writing '0' to the both bit 4 and bit 5 of the I<sup>2</sup>C 'A' register (address 0x01h) of the LMV1089 will force the part into shutdown mode, even if the EN pin is 'High', the only part that remains active in this state is the I<sup>2</sup>C, which consumes neglectible power when compared to the standby current.

## Adjustable Gain

The LMV1089 has two gain stages where the gain can be adjusted to meet the requirements for the application. There is a preamplifier and a post amplifier that can be varied independent of each other. In most applications the gain will be set via the I<sup>2</sup>C interface, see [Table 5](#).

## SETTING ADJUSTABLE GAIN

The LMV1089 provides four pins to set the default gain settings during power up of the device, which is convenient for applications without a micro controller. The default gain of the preamplifier is controlled by the GA0 and GA1 pins and can be set by wiring those pins to either V<sub>DD</sub> or GND. In this way, one of the four possible values in the 12dB to 36dB range (see [Table 1](#)) can be chosen. The default post amplifier gain is set in the same way by connecting the GB0 and GB1 pins to either V<sub>DD</sub> or GND to select a gain between 6dB and 15dB (see [Table 2](#)). Setting the gain of the preamplifier and post amplifier via the I<sup>2</sup>C interface (see [Table 5](#)) will override this default gain.

The default gain is only set during power up of the device. Toggling the logic level of the enable pin (EN) will not change the current gain setting of the part. Any gain setting done via the I<sup>2</sup>C interface will remain valid during activation of the function.

**Table 1. Default preamplifier gain**

GA1	GA0	Gain
0	0	12dB
0	1	20dB <sup>(1)</sup>
1	0	28dB
1	1	36dB

(1) Default value used for performance measurements

**Table 2. Default post amplifier gain**

GB1	GB0	Gain
0	0	6dB <sup>(1)</sup>
0	1	9dB
1	0	12dB
1	1	15dB

(1) Default value used for performance measurements

## Gain Balance and Gain Budget

In systems where input signals have a high dynamic range, critical noise levels or where the dynamic range of the output voltage is also limited, careful gain balancing is essential for the best performance. Too low of a gain setting in the preamplifier can result in higher noise levels while too high of a gain setting in the preamplifier will result in clipping and saturation in the noise cancelling processor and output stages.

The gain ranges and maximum signal levels for the different functional blocks are shown in [Figure 22](#). Two examples are given as a guideline on how to select proper gain settings.

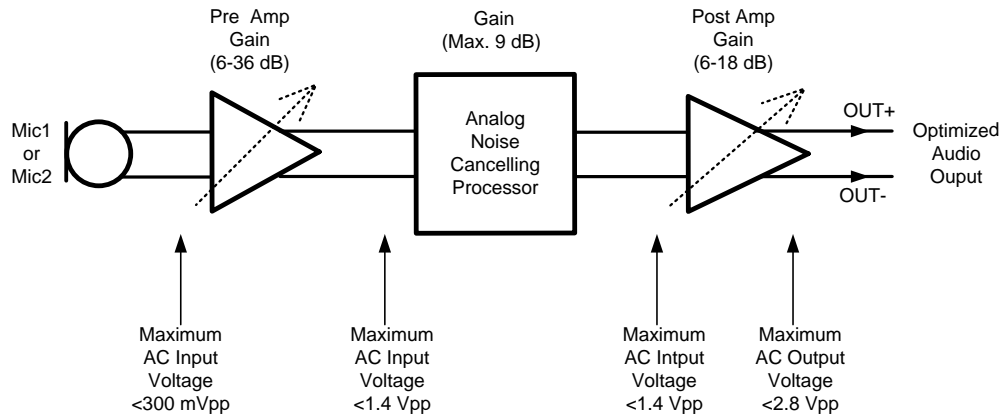


Figure 22. Maximum Signal Levels

### Example 1

An application using microphones with  $50\text{mV}_{\text{P-P}}$  maximum output voltage, and a baseband chip after the LMV1089 with  $1.5\text{V}_{\text{P-P}}$  maximum input voltage.

For optimum noise performance, the gain of the input stage should be set to the maximum.

- $50\text{mV}_{\text{P-P}} + 36\text{ dB} = 3.1\text{V}_{\text{P-P}}$ .
- $3.1\text{V}_{\text{P-P}}$  is higher than the maximum  $1.4\text{V}_{\text{P-P}}$  allowed for the Noise Cancelling Processor (NCP). This means a gain lower than  $28.9\text{dB}$  should be selected.
- Select the nearest lower gain from the gain settings shown in Table 1,  $28\text{dB}$  is selected. This will prevent the NCP from being overloaded by the microphone. With this setting, the resulting output level of the Pre Amplifier will be  $1.26\text{V}_{\text{P-P}}$ .
- The NCP can have a maximum processing gain of  $9\text{dB}$  (depending on the calibration result) which will result in  $3.5\text{V}_{\text{P-P}}$  at the output of the LMV1089. This level is higher than maximum level that is allowed at the input of the post amp of the LMV1089. Therefore the preamp gain has to be reduced, to  $1.4\text{V}_{\text{P-P}}$  minus  $9\text{dB} = 0.5\text{V}_{\text{P-P}}$ . This limits the preamp gain to a maximum of  $20\text{dB}$ .
- The baseband chip limits the maximum output voltage to  $1.5\text{V}_{\text{P-P}}$  with the minimum of  $6\text{dB}$  post amp gain, this results in requiring a lower level at the input of the post amp of  $0.75\text{V}_{\text{P-P}}$ . Now calculating this for a maximum NCP gain of  $9\text{dB}$  the output of the preamp must be  $<266\text{mV}_{\text{P-P}}$ .
- Calculating the new gain for the preamp will result in  $<1.4\text{dB}$  gain.
- The nearest lower gain will be  $14\text{dB}$ .

So using preamp gain =  $14\text{dB}$  and postamp gain =  $6\text{dB}$  is the optimum for this application.

### Example 2

An application using microphones with  $10\text{mV}_{\text{P-P}}$  maximum output voltage, and a baseband chip after the LMV1089 with  $3.3\text{V}_{\text{P-P}}$  maximum input voltage.

For optimum noise performance we would like to have the maximum gain at the input stage.

- $10\text{mV}_{\text{P-P}} + 36\text{dB} = 631\text{mV}_{\text{P-P}}$ .
- This is lower than the maximum  $1.4\text{V}_{\text{P-P}}$  so this is OK.
- The NCP can have a maximum processing gain of  $9\text{dB}$  (depending on the calibration result) which will result in  $3.5\text{V}_{\text{P-P}}$  at the output of the LMV1089. This level is higher than maximum level that is allowed at the input of the Post Amp of the LMV1089. Therefore the Pre Amp gain has to be reduced, to  $1.4\text{V}_{\text{P-P}}$  minus  $9\text{dB} = 0.5\text{V}_{\text{P-P}}$ . This limits the Pre Amp gain to a maximum of  $34\text{dB}$ .
- With a Post Amp gain setting of  $6\text{dB}$  the output of the Post Amp will be  $2.8\text{V}_{\text{P-P}}$  which is OK for the baseband.
- The nearest lower Post Amp gain will be  $6\text{dB}$ .

So using preamp gain =  $34\text{dB}$  and postamp gain =  $6\text{dB}$  is optimum for this application.

## Unprocessed Output Pins

The LMV1089 provides two single ended output pins M1\_UNP and M2\_UNP. These pins provide the amplified output signal from the two differential microphone input amplifiers Mic1 and Mic2. When the application containing the LMV1089 is in a calibrated state the output level of the two microphone paths are matched. This makes these outputs suitable for stereo applications like video camera webcams and photo cameras. Low cost microphones with wider gain tolerance can be used because gain differences of the microphones will be compensated by the calibration system of the LMV1089. In this situation the default gain of the Pre Amplifiers is set by GA0 and GA1 as described in [Table 1](#). This gain can be changed via I<sup>2</sup>C by writing register A as described in the [I<sup>2</sup>C Compatible Interface](#) section.

## I<sup>2</sup>C Compatible Interface

### I<sup>2</sup>C SIGNALS

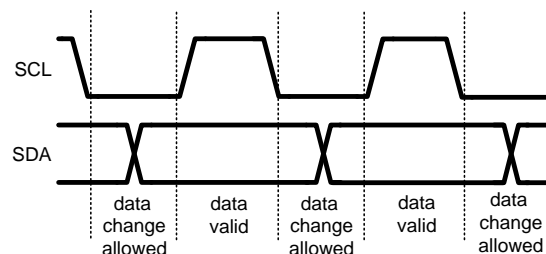
The LMV1089 pin Serial Clock (SCL) pin is used for the I<sup>2</sup>C clock and the Serial Data (SDA) pin is used for the I<sup>2</sup>C data. Both these signals need a pull-up resistor according to I<sup>2</sup>C specification. The LMV1089 can be controlled through two slave addresses. The digital I<sup>2</sup>C address pin selects the I<sup>2</sup>C address for LMV1089 as shown in [Table 3](#).

**Table 3. Chip Address**

	D7	D6	D5	D4	D3	D2	D1	D0
1 <sup>st</sup> Chip Address I <sup>2</sup> C Address='0'	1	1	0	0	1	1	0	$\overline{W/R}$
2 <sup>nd</sup> Chip Address I <sup>2</sup> C Address='1'	1	1	0	0	1	1	1	$\overline{W/R}$

### I<sup>2</sup>C DATA VALIDITY

The data on SDA line must be stable during the HIGH period of the clock signal (SCL). In other words, the state of the data line can only be changed when SCL is LOW.

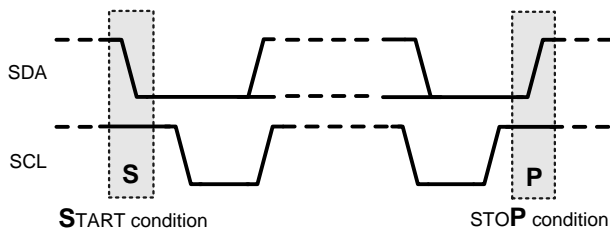


**Figure 23. I<sup>2</sup>C Signals: Data Validity**

### I<sup>2</sup>C START AND STOP CONDITIONS

START and STOP bits classify the beginning and the end of the I<sup>2</sup>C data transmission session. START condition is defined as the SDA signal transitioning from HIGH to LOW while SCL line is HIGH. STOP condition is defined as the SDA transitioning from LOW to HIGH while SCL is HIGH. The I<sup>2</sup>C master always generates START and STOP bits. The I<sup>2</sup>C bus is considered to be busy after START condition and free after STOP condition. During data transmission, I<sup>2</sup>C master can generate repeated START conditions. First START and repeated START conditions are equivalent, function-wise.





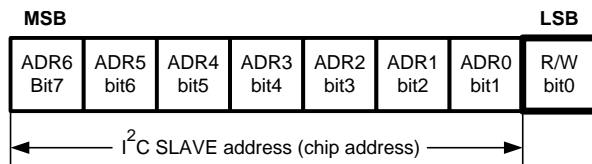
The master should issue STOP after no acknowledgment.

**Figure 24. I<sup>2</sup>C Start Stop Conditions**

**TRANSFERRING DATA**

Every byte put on the SDA line must be eight bits long, with the most significant bit (MSB) being transferred first. Each byte of data has to be followed by an acknowledge bit. The acknowledge related clock pulse is generated by the master. The transmitter releases the SDA line (HIGH) during the acknowledge clock pulse. The receiver must pull down the SDA line during the 9<sup>th</sup> clock pulse, signifying an acknowledge (ACK). A receiver which has been addressed must generate an acknowledge after each byte has been received.

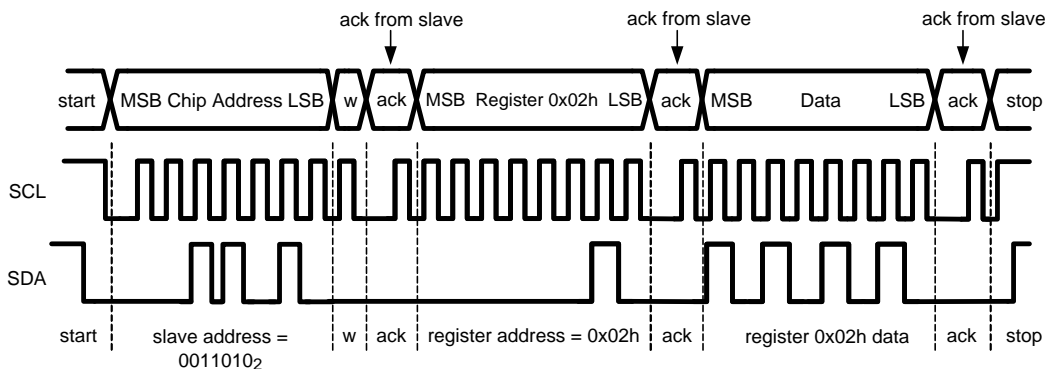
After the START condition, the I<sup>2</sup>C master sends a chip address. This address is seven bits long followed by an eighth bit which is a data direction bit (R/W). The LMV1089 address is **11001100<sub>2</sub>** or **11001110<sub>2</sub>**. For the eighth bit, a “0” indicates a WRITE and a “1” indicates a READ. The second byte selects the register to which the data will be written. The third byte contains data to write to the selected register.



**Figure 25. I<sup>2</sup>C Chip Address**

Register changes take effect at the SCL rising edge during the last ACK from slave.

In [Figure 26](#), a write example is shown, for a device with a randomly chosen address **'00110100<sub>2</sub>'**.



w = write (SDA = “0”)  
 r = read (SDA = “1”)  
 ack = acknowledge (SDA pulled down by slave)  
 rs = repeated start

**Figure 26. Example I<sup>2</sup>C Write Cycle**

When a READ function is to be accomplished, a WRITE function must precede the READ function, as shown in the Read Cycle waveform. [Figure 27](#) shows this read example for a randomly chosen address **'00110101<sub>2</sub>'**.

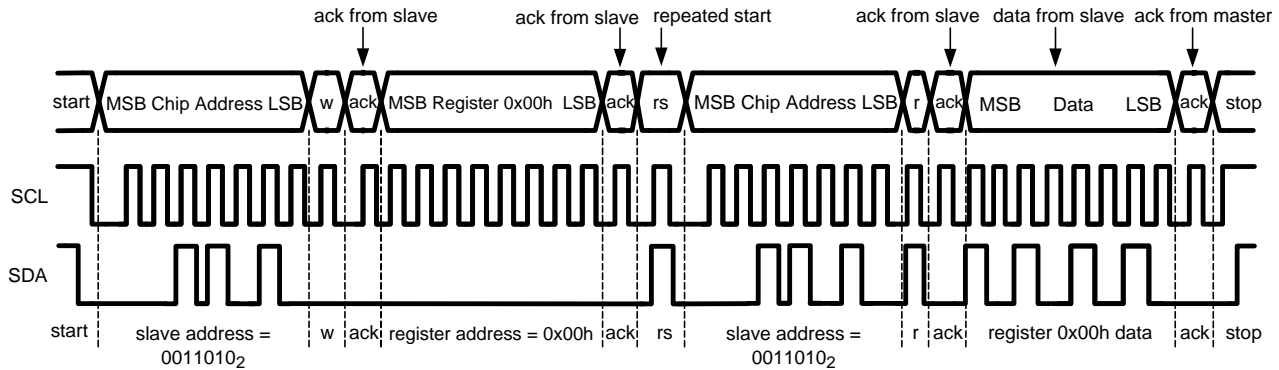


Figure 27. Example I<sup>2</sup>C Read Cycle

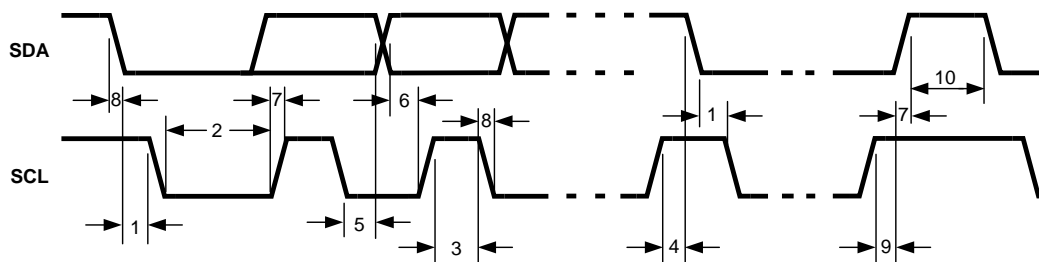


Figure 28. I<sup>2</sup>C Timing Diagram

Table 4. I<sup>2</sup>C Timing Parameters<sup>(1)</sup>

Symbol	Parameter	Limit		Units
		Min	Max	
1	Hold Time (repeated) START Condition	0.6		μs
2	Clock Low Time	1.3		μs
3	Clock High Time	600		ns
4	Setup Time for a Repeated START Condition	600		ns
5	Data Hold Time (Output direction, delay generated by LMV1089)	300	1100	ns
5	Data Hold Time (Input direction, delay generated by the Master)	0	1100	ns
6	Data Setup Time	300		ns
7	Rise Time of SDA and SCL	20	300	ns
8	Fall Time of SDA and SCL	15	300	ns
9	Set-up Time for STOP condition	600		ns
10	Bus Free Time between a STOP and a START Condition	1.3		μs
C <sub>b</sub>	Capacitive Load for Each Bus Line	10	200	pF

(1) Data specified by design

**Table 5. I<sup>2</sup>C Register Description**

Address	Reg.	Bits	Description	Default		
<b>0x01h</b>	A	[3:0]	Microphone preamplifier gain from 6dB up to 36dB in 2dB steps.	See <a href="#">Table 1</a>		
			0000		6dB	
			0001		8dB	
			0010		10dB	
			0011		12dB	
			0100		14dB	
			0101		16dB	
			0110		18dB	
			0111		20dB	
			1000		22dB	
			1001		24dB	
			1010		26dB	
			1011		28dB	
			1100		30dB	
			1101		32dB	
			1110		34dB	
1111	36dB					
A	[5:4]	A4 = mute mic1 and A5 = mute mic2. (0 = microphone on)	00(on)			
A	[7:6]	Mic enable bits, A6 = enable Mic1, A7 = enable Mic2 (1 = enable), A6 and A7 both 0 = Shutdown Mode	11(on)			
<b>0x02h</b>	B	[2:0]	Gain setting for the post amplifier from (3dB steps)	See <a href="#">Table 2</a>		
			000		6db	
			001		9dB	
			010		12dB	
			011		15dB	
			100		18dB	
			101		18dB	
			110		18dB	
	111	18dB				
	B	[4:3]	Mic select bits	00		
			0		0	Noise cancelling mode
			0		1	Only Mic1 enabled
			1		0	Only Mic2 enabled
B	[7:5]	Not Used	000			
<b>0x0Ch</b>	L	[7:0]	reads the output of the EEPROM	read only		
<b>0x0Dh</b>	M	[7:0]	reads the output of the EEPROM	read only		
<b>0x0Efh</b>	N	[6:0]	reads the output of the EEPROM	read only		
	N	[7]	Reads the "ready" signal. This give the status of the program cycle. 1 = ready ; 0 = program cycle in progress	read only		

**Table 5. I<sup>2</sup>C Register Description (continued)**

Address	Reg.	Bits	Description	Default
0x0Fh	O	[3:0]	Control the gain compensation between the two mics at 3kHz	0000
		0000 (0)	0.0dB	
		0001 (1)	0.5dB	
		0010 (2)	1.0dB	
		0011 (3)	1.5dB	
		0100 (4)	2.0dB	
		0101 (5)	2.5dB	
		0110 (6)	3.0dB	
		0111 (7)	3.0dB	
		1000 (8)	0dB	
		1001 (9)	-0.5dB	
		1010 (A)	-1.0dB	
		1011 (B)	-1.5dB	
		1100 (C)	-2.0dB	
		1110 (D)	-2.5dB	
		1110 (E)	-3.0dB	
		1111 (F)	-3.0dB	
		[7:4]	Control the gain compensation between the two mics at 300Hz	
		0000 (0)	0.0dB	
		0001 (1)	0.5dB	
		0010 (2)	0.0dB	
		0011 (3)	1.5dB	
		0100 (4)	2.0dB	
		0101 (5)	2.5dB	
		0110 (6)	3.0dB	
		0111 (7)	3.0dB	
		1000 (8)	0dB	
		1001 (9)	-0.5dB	
1010 (A)	-1.0dB			
1011 (B)	-1.5dB			
1100 (C)	-2.0dB			
1101 (D)	-2.5dB			
1110 (E)	-3.0dB			
1111 (F)	-3.0dB			

**Table 5. I<sup>2</sup>C Register Description (continued)**

Address	Reg.	Bits	Description	Default
0x10h	P	[3:0]	Control compensation gain for left channel at ALL frequencies	1111
		0000 (0)	–3.0dB	
		0001 (1)	–3.0dB	
		0010 (2)	–2.5dB	
		0011 (3)	–2.0dB	
		0100 (4)	–1.5dB	
		0101 (5)	–1.0dB	
		0110 (6)	–0.5dB	
		0111 (7)	0.0dB	
		1000 (8)	0.0dB	
		1001 (9)	0.5dB	
		1010 (A)	1.0dB	
		1011 (B)	1.5dB	
		1100 (C)	2.0dB	
		1101 (D)	2.5dB	
		1110 (E)	3.0dB	
		1111 (F)	3.0dB	
		[7:4]	Control compensation gain for right channel at ALL frequencies	
		0000 (0)	–3.0dB	
		0001 (1)	–3.0dB	
		0010 (2)	–2.5dB	
		0011 (3)	–2.0dB	
		0100 (4)	–1.5dB	
		0101 (5)	–1.0dB	
		0110 (6)	–0.5dB	
		0111 (7)	0.0dB	
		1000 (8)	0.0dB	
		1001 (9)	0.5dB	
1010 (A)	1.0dB			
1011 (B)	1.5dB			
1100 (C)	2.0dB			
1101 (D)	2.5dB			
1110 (E)	3.0dB			
1111 (F)	3.0dB			
0x11h	Q	[6:0]	Values are clocked into EEPROM registers once “newdata” pulse is generated	
		[7]	StoreBar signal StoreBar = 0 enables EEPROM programming StoreBar = 1 data clock into EEPROM registers	1
0x12h	R	[0]	Start Calibration via I2C ‘0’ to ‘1’ = start calibration (keep ‘1’ during calibration)	0
		[7]	Internal test	0000000

## Calibration

Automatic calibration should only be required once, when the product containing the LMV1089 has completed manufacture, and prior to application packaging. The product containing the LMV1089 will be calibrated to the microphones, the microphone spacings, and the acoustical properties of the final design.

The compensation or calibration technology is achieved via memory stored coefficients when the FFNS circuitry activates the calibration sequence. The purpose of the calibration sequence is to choose the optimized coefficients for the FFNS circuitry for the given microphones, spacing, and acoustical design of the product containing the LMV1089.

A basic calibration can be performed with a single 1kHz tone, however to take full advantage of this calibration feature a three tone calibration (See [PERFORMING A THREE TONE CALIBRATION](#)) is preferred.

The automatic calibration process can be initiated from either a digital interface CALIBRATE pin (CAL) or via the I<sup>2</sup>C interface.

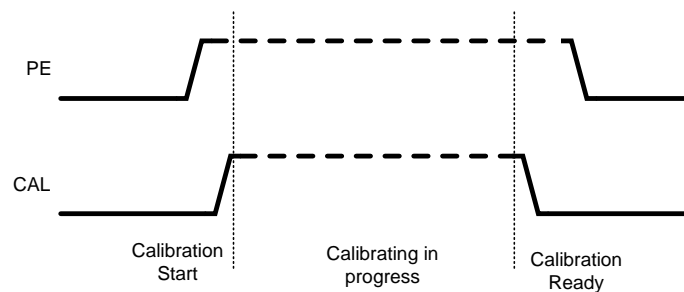
The logic level at the PROGRAM ENABLE (PE) pin determines if the result of the calibration is volatile or permanent. To make the result of the calibration permanent (stored in the EEPROM) the PROGRAM ENABLE (PE) pin must be high during the automatic calibration process.

### AUTOMATIC CALIBRATION VIA CAL PIN

To initiate the automatic calibration via the CAL pin, the following procedure is required. See timing diagram [Figure 30](#):

- From the initial condition where both PE and CAL are at 'low' level
- bring PE to a 'high' level (enable EEPROM write)
- bring CAL to a 'high' level to start Calibration
- Apply Audio stimulus (single tone 1kHz or three tone sequence as described in [PERFORMING A THREE TONE CALIBRATION](#)) (see [Figure 31](#)).
- Hold CAL 'high' for at least 790ms
- Remove Audio stimulus
- bring CAL to a 'low' level to stop Calibration
- bring PE to a 'low' level (disable EEPROM write)

A tone may be applied prior to the rising of CAL and PE. Signals applied to the microphone inputs before rising of CAL and PE are ignored by the calibration system.



**Figure 29. Automatic Calibration via CAL pin**

#### NOTE

When the I<sup>2</sup>C is operated, make sure that register 'R' (address 0x12) bit 0 is '0' before operating the CAL pin (default value for this bit). When this bit is set '1' the calibration engine of the LMV1089 is started and will remain active with a higher supply current than normal operation. The state of the calibration remains active until this bit is reset, '0'. With the bit set the 'low' to 'high' transfer of the CAL pin will be ignored.

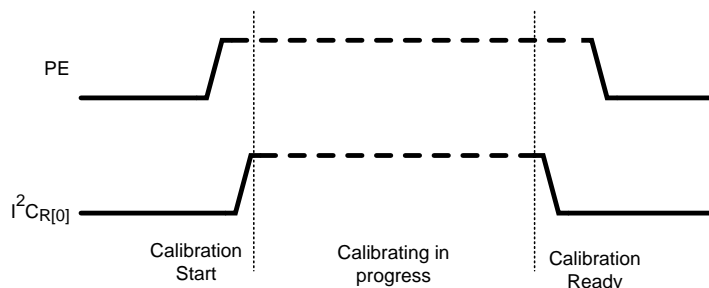
### AUTOMATIC CALIBRATION VIA I<sup>2</sup>C COMMAND

To initiate the automatic calibration via the I<sup>2</sup>C interface, the following procedure is required:

- From the initial condition where PE is 'low' level
- Bring PE to a 'high' level (enable EEPROM write)
- Write '1' into I<sup>2</sup>C register 'R' (address 0x12) bit 0 to start calibration

- Apply Audio stimulus (single tone 1kHz or three tone sequence as described in [PERFORMING A THREE TONE CALIBRATION](#))
- Wait at least 790ms
- Remove Audio stimulus
- Write '0' into I<sup>2</sup>C to finish calibration
- Bring PE to a 'low' level (disable EEPROM write)

A tone may be applied prior to the rising of PE or setting the I<sup>2</sup>C calibration bit . Signals applied to the microphone inputs before rising of PE or setting the I<sup>2</sup>C calibration bit are ignored by the calibration system.



**PERFORMING THE AUTOMATIC CALIBRATION**

Automatic calibration can be performed as 'one tone' or as 'three tone' calibration. Three tone calibration is preferred because the three tone calibration not only compensates for differences in the gain between the two microphones, but this function also corrects for differences in the frequency response between in the two microphones and compensates for the acoustical effects of the enclosure.

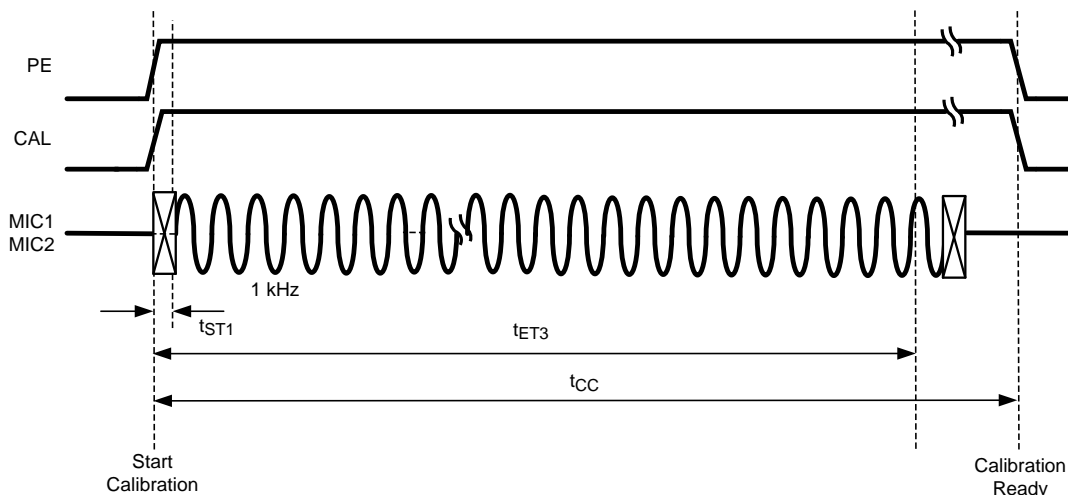
The one tone calibration only compensates for the gain difference between the two microphones at 1kHz and can lead to less far field noise reduction when compared to three tone calibration.

**PERFORMING A ONE TONE CALIBRATION**

The easiest way to perform an automatic calibration with the LMV1089 uses a 1kHz tone. This tone can be a steady state tone or a 1kHz tone that is switched on and off using the timing from [Figure 30](#).

To perform a one tone calibration, a 1kHz test tone is required right after the PE and CAL inputs are brought to a logic high level and that tone should be stable during the time as indicated in [Table 6](#). At the end of this sequence the calibration data is automatically stored in the internal EEPROM (see [Figure 31](#)).

A tone may be applied prior to the rising of CAL start signal and PE. Signals applied to the microphone outside the limits shown in [Figure 30](#) and [Table 6](#) are ignored by the calibration system.



**Figure 30. One Tone Calibration Timing**

## PERFORMING A THREE TONE CALIBRATION

In a system with two microphones in an enclosure there will always be a difference in the transfer function in both gain and frequency response between the two channels. The LMV1089 has the capability to perform an automatic calibration function to minimize these differences. To perform this calibration, a test sequence of three tones is required right after the PE and CAL inputs are brought to a logic high level. At the end of this sequence the calibration data is automatically stored in the internal EEPROM.

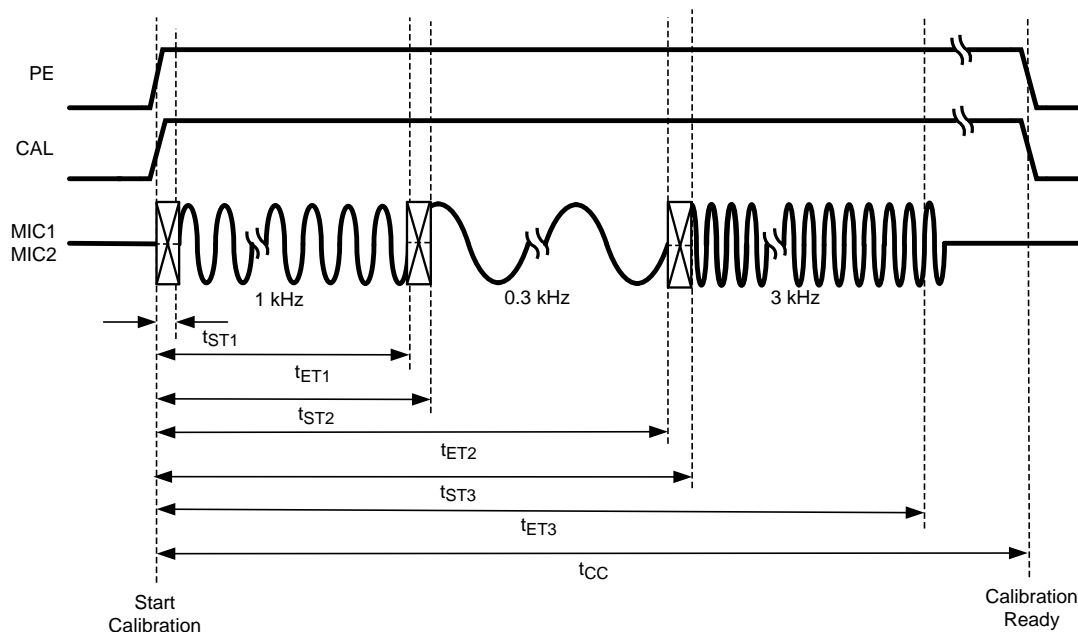
The three tones have to be applied as follows (see [Figure 31](#)):

- A first tone with a frequency of 1kHz
- A second tone with a frequency of 300Hz
- A third tone with a frequency of 3kHz

A tone may be applied prior to the rising of CAL start signal and PE. Signals applied to the microphone outside the limits shown in [Figure 31](#) and [Table 6](#) are ignored by the calibration system.

Between each tone pair there is a small time, indicated by a cross, to change the frequency. During that time the input tone is ignored by the calibration system.

The total calibration sequence requires less than 790ms.



**Figure 31. Calibration Timing**

**Table 6. Automatic Calibration Timing Parameters<sup>(1)</sup>**

Symbol	Parameter	Limits		Unitis
		Min	Max	
$t_{ST1}$	Calibration Start Tone 1		10	ms
$t_{ET1}$	Calibration End Tone 1	200		ms
$t_{ST2}$	Calibration Start Tone 2		210	ms
$t_{ET2}$	Calibration End Tone 2	400		ms
$t_{ST3}$	Calibration Start Tone 3		410	ms
$t_{ET3}$	Calibration End Tone 3	600		ms
$t_{CC}$	Calibration Complete	790		ms

(1) Data specified by design



## AUTOMATIC CALIBRATION SETUP

A calibration test setup consists of a test room (acoustical box) with a loudspeaker (acoustical source) driven with the test tone sequence from Figure 31. The test setup is shown in Figure 32. The distances between the source and microphone 1 and microphone 2 must be equal and the sound must travel without any obstacle from source to both microphones.

The sound will travel with the limited speed of 300m/s from the loudspeaker source to the microphones. When creating the calibration signals this time should not be ignored, 30cm distance will cause 1ms delay.

For an optimum automatic calibration the output level of the microphones and preamp gain must be set so that the resulting signal at the output of the preamplifier is  $100mV_{p-p} \pm 6dB$

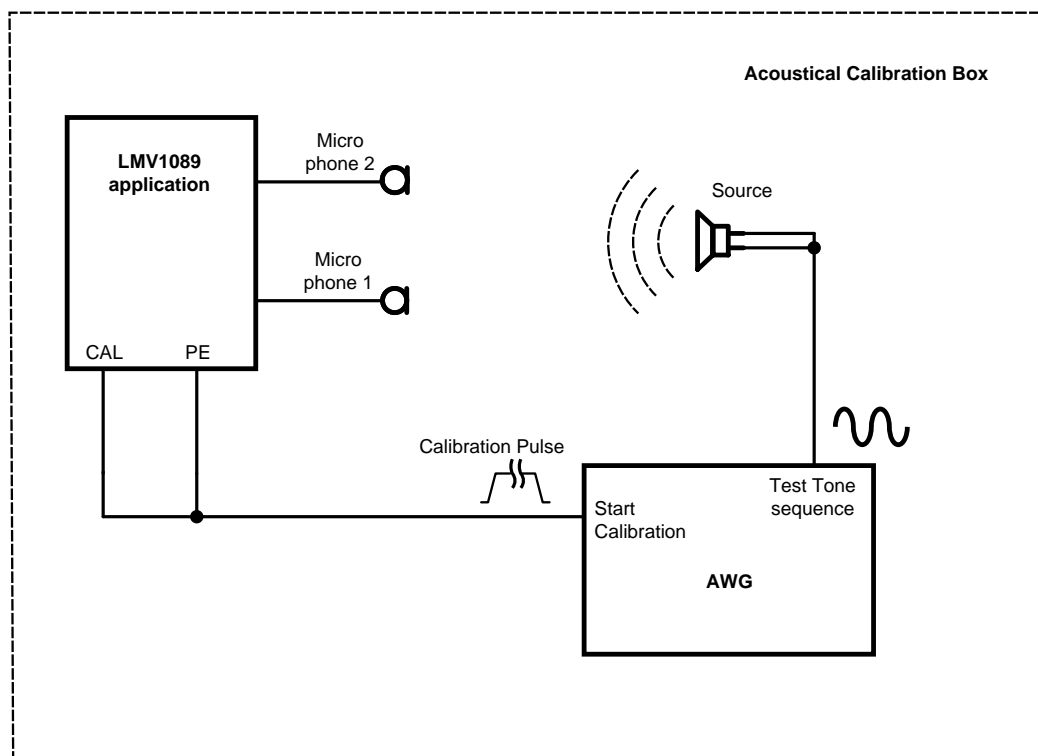


Figure 32.

## MANUAL CALIBRATION

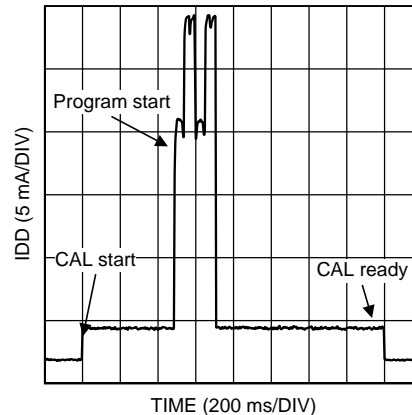
You can manually program the gain compensation of the two mic inputs on the LMV1089 using the I<sup>2</sup>C interface. Table 4 shows the control bits for I<sup>2</sup>C Register O and P with the corresponding gains. This can be easily done by doing the following:

- 1) READ contents of the I<sup>2</sup>C register N immediately after powering up.
- 2) Set PE pin and T7 pin to Vdd.
- 3) WRITE to I<sup>2</sup>C register O and P to choose the calibration settings.
  - Bits O<7:4> control the two mics at 300Hz and bits O<3:0> control the two mics at 3kHz.
  - Bits P<7:4> control the right channel gain and bits P<3:0> control the left channel gain
- 4) WRITE a '0' to I<sup>2</sup>C register Q<7> bit (storeBar) and the bits from I<sup>2</sup>C register N<6:0> to I<sup>2</sup>C register Q<6:0>
- 5) When I<sup>2</sup>C register N<7> (ready) goes high, then the EEPROM programming is complete. Now PE pin and T7 pin should be set to GND and I<sup>2</sup>C register Q<7> (storeBar) should be returned to '1'.

## SUPPLY CURRENT DURING CALIBRATION

The calibration function performs two main tasks in a sequence. First the AC characteristics of the microphones are matched. Then in the second stage, if the PE pin is high, the on-chip EEPROM is programmed.

During the first stage of this sequence the supply current on the LMV1089 will increase to about 2.5mA. During the writing of the EEPROM the supply current will rise for about 215 ms to about 30mA. This increased current is used for the on chip charge pump which generates the high voltages that are required for programming the EEPROM.

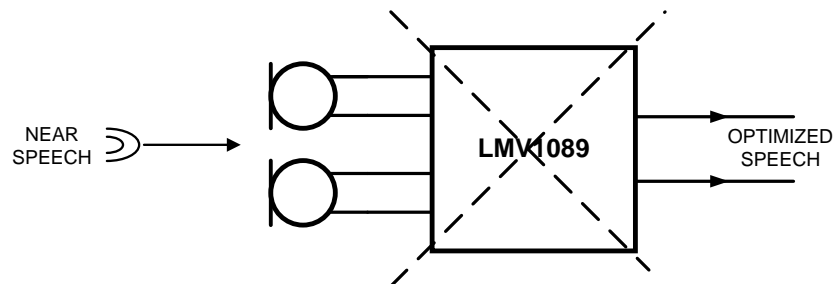


## Microphone Placement

Because the LMV1089 is a microphone array Far Field Noise Reduction solution, proper microphone placement is critical for optimum performance. Two things need to be considered: The spacing between the two microphones and the position of the two microphones relative to near field source

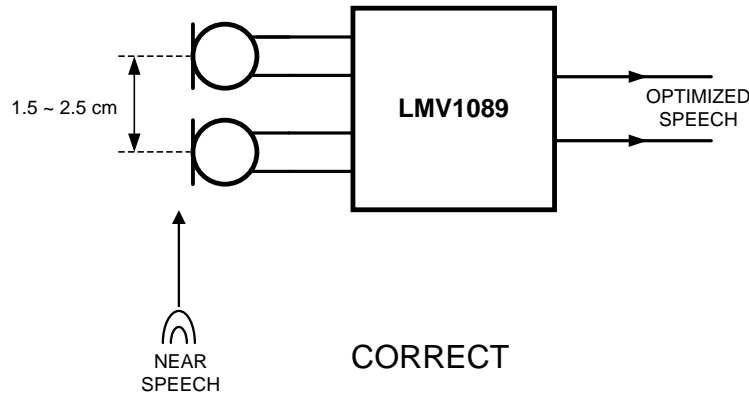
If the spacing between the two microphones is too small, near field speech will be canceled along with the far field noise. Conversely, if the spacing between the two microphones is large, the far field noise reduction performance will be degraded. The optimum spacing between Mic 1 and Mic 2 is 1.5-2.5cm. This range provides a balance of minimal near field speech loss and maximum far field noise reduction.

The microphones should be in line with the desired sound source 'near speech' and configured in an endfire array (see [Figure 34](#)) orientation from the sound source. If the 'near speech' (desired sound source) is equidistant to the source like a broadside array (see [Figure 33](#)) the result will be a great deal of near field speech loss.



WRONG

**Figure 33. Broadside Array (WRONG)**



**Figure 34. Endfire Array (CORRECT)**

### Low-Pass Filter At The Output

At the output of the LMV1089 there is a provision to create a 1<sup>st</sup> order low-pass filter (only enabled in 'Noise Cancelling' mode). This low-pass filter can be used to compensate for the change in frequency response that results from the noise cancellation process. The change in frequency response resembles a first-order high-pass filter, and for many of the applications it can be compensated by a first-order low-pass filter with cutoff frequency between 1.5kHz and 2.5kHz.

The transfer function of the low-pass filter is derived as:

$$H(s) = \frac{\text{Post Amplifier gain}}{sR_f C_f + 1}$$

This low-pass filter is created by connecting a capacitor between the LPF pin and the OUT pin of the LMV1089. The value of this capacitor also depends on the selected output gain. For different gains the feedback resistance in the low-pass filter network changes as shown in [Table 7](#).

**Table 7. Low-Pass Filter Internal Impedance**

Post Amplifier Gain Setting (dB) in Pass Through mode	Feedback Resistance R <sub>f</sub> (kΩ)
6	20
9	29
12	40
15	57
18	80

This will result in the following values for a cutoff frequency of 2000 Hz:

**Table 8. Low-Pass Filter Capacitor For 2kHz**

Post Amplifier Gain Setting (dB)	R <sub>f</sub> (kΩ)	C <sub>f</sub> (nF)
6	20	3.9
9	29	2.7
12	40	2.0
15	57	1.3
18	80	1.0

## Measurement Setup

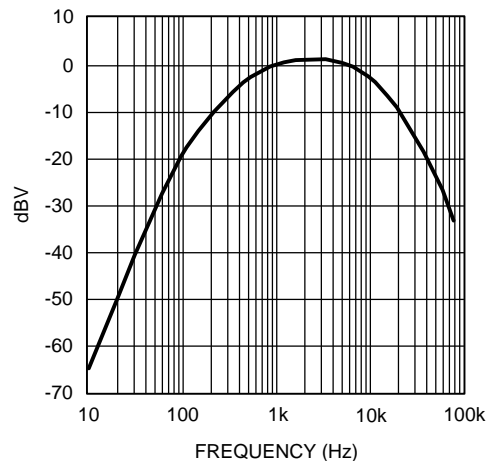
Because of the nature of the calibration system it is not possible to predict the absolute gain in the two microphone channels of the Far Field Noise Cancelling System. This is because, after the calibration function has been operated, the noise cancelling circuit will compensate for the difference in gain between the microphones. In Noise Cancelling mode, this can result in a final gain offset of max 3dB between the gain set in the registers (A[3:0] and B[2:0]) and the actual measured gain between input and output of the LMV1089. After performing a calibration the frequency characteristic of the microphone channels will be matched for the two microphones. As a result of this matching there can be a slight slope in the frequency characteristic in one or both amplifiers.

## A-WEIGHTED FILTER

The human ear is sensitive for acoustic signals within a frequency range from about 20Hz to 20kHz. Within this range the sensitivity of the human ear is not equal for each frequency. To approach the hearing response, weighting filters are introduced. One of those filters is the A-weighted filter.

The A-weighted filter is used in signal to noise measurements, where the wanted audio signal is compared to device noise and distortion.

The use of this filter improves the correlation of the measured values to the way these ratios are perceived by the human ear.



**Figure 35. A-Weighted Filter**

## MEASURING NOISE AND SNR

The overall noise of the LMV1089 is measured within the frequency band from 10Hz to 22kHz using an A-weighted filter. The Mic+ and Mic- inputs of the LMV1089 are AC shorted between the input capacitors, see [Figure 36](#).

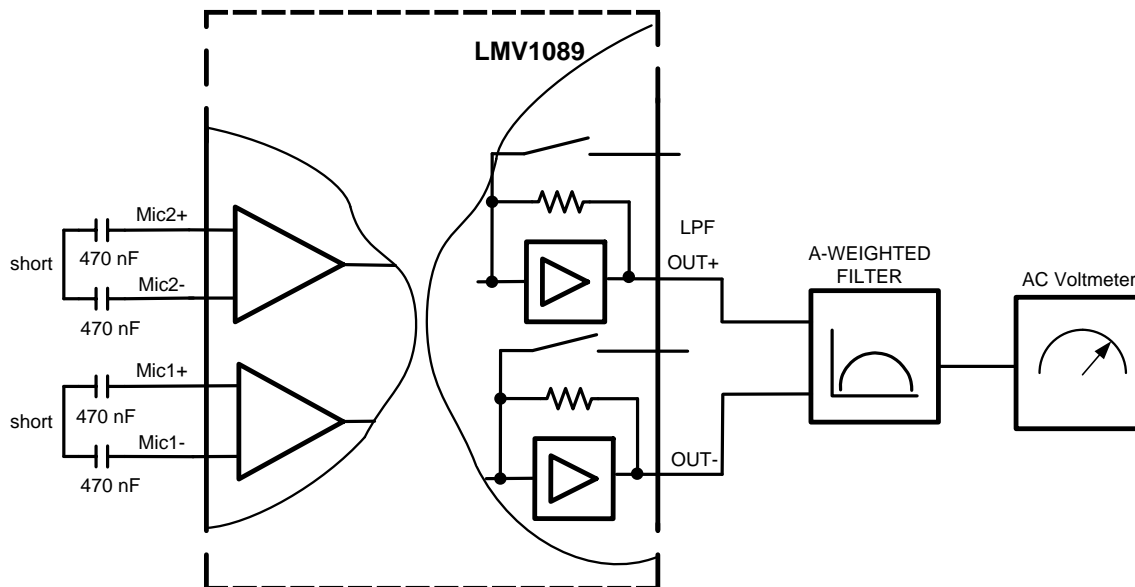


Figure 36. Noise Measurement Setup

For the signal to noise ratio (SNR) the signal level at the output is measured with a 1kHz input signal of 18mV<sub>P-P</sub> using an A-weighted filter. This voltage represents the output voltage of a typical electret condenser microphone at a sound pressure level of 94dB SPL, which is the standard level for these measurements. The LMV1089 is programmed for 26dB of total gain (20dB preamplifier and 6dB postamplifier) with only Mic1 or Mic2 used. (See also *I<sup>2</sup>C Compatible Interface*).

The input signal is applied differentially between the Mic+ and Mic-. Because the part is in Pass Through mode the low-pass filter at the output of the LMV1089 is disabled.

## REVISION HISTORY

Rev	Date	Description
1.0	09/24/08	Initial release.
1.01	09/30/08	Text edits.
1.02	10/14/08	Text edits.
1.03	10/24/08	Text edits.
1.04	10/28/08	Added the LMV1089VY package .
1.05	12/11/08	Text edits.
1.06	12/17/08	Text edits.
1.07	01/13/09	Edited graphic 30047227 (32-Lead LQFP package).
1.08	02/23/09	Text edits.
1.09	02/27/09	Deleted the "Clarisuond" label from the Typical Application ckt. diagram.
1.10	06/17/09	Text edits (A2 pin) in the Pin Name and Function table.
1.11	07/06/09	Updated the Typical and Limit values (Zin) in the EC tables.
1.12	05/19/10	Fixed a minor typo in the front page.

**PACKAGING INFORMATION**

Orderable Device	Status (1)	Package Type	Package Drawing	Pins	Package Qty	Eco Plan (2)	Lead finish/ Ball material (6)	MSL Peak Temp (3)	Op Temp (°C)	Device Marking (4/5)	Samples
LMV1089VY/NOPB	NRND	LQFP	NEY	32	250	RoHS & Green	SN	Level-3-260C-168 HR	-40 to 85	LMV1089 VY	

(1) The marketing status values are defined as follows:

**ACTIVE:** Product device recommended for new designs.

**LIFEBUY:** TI has announced that the device will be discontinued, and a lifetime-buy period is in effect.

**NRND:** Not recommended for new designs. Device is in production to support existing customers, but TI does not recommend using this part in a new design.

**PREVIEW:** Device has been announced but is not in production. Samples may or may not be available.

**OBsolete:** TI has discontinued the production of the device.

(2) **RoHS:** TI defines "RoHS" to mean semiconductor products that are compliant with the current EU RoHS requirements for all 10 RoHS substances, including the requirement that RoHS substance do not exceed 0.1% by weight in homogeneous materials. Where designed to be soldered at high temperatures, "RoHS" products are suitable for use in specified lead-free processes. TI may reference these types of products as "Pb-Free".

**RoHS Exempt:** TI defines "RoHS Exempt" to mean products that contain lead but are compliant with EU RoHS pursuant to a specific EU RoHS exemption.

**Green:** TI defines "Green" to mean the content of Chlorine (Cl) and Bromine (Br) based flame retardants meet JS709B low halogen requirements of <=1000ppm threshold. Antimony trioxide based flame retardants must also meet the <=1000ppm threshold requirement.

(3) MSL, Peak Temp. - The Moisture Sensitivity Level rating according to the JEDEC industry standard classifications, and peak solder temperature.

(4) There may be additional marking, which relates to the logo, the lot trace code information, or the environmental category on the device.

(5) Multiple Device Markings will be inside parentheses. Only one Device Marking contained in parentheses and separated by a "~" will appear on a device. If a line is indented then it is a continuation of the previous line and the two combined represent the entire Device Marking for that device.

(6) Lead finish/Ball material - Orderable Devices may have multiple material finish options. Finish options are separated by a vertical ruled line. Lead finish/Ball material values may wrap to two lines if the finish value exceeds the maximum column width.

**Important Information and Disclaimer:**The information provided on this page represents TI's knowledge and belief as of the date that it is provided. TI bases its knowledge and belief on information provided by third parties, and makes no representation or warranty as to the accuracy of such information. Efforts are underway to better integrate information from third parties. TI has taken and continues to take reasonable steps to provide representative and accurate information but may not have conducted destructive testing or chemical analysis on incoming materials and chemicals. TI and TI suppliers consider certain information to be proprietary, and thus CAS numbers and other limited information may not be available for release.

In no event shall TI's liability arising out of such information exceed the total purchase price of the TI part(s) at issue in this document sold by TI to Customer on an annual basis.

**TRAY**

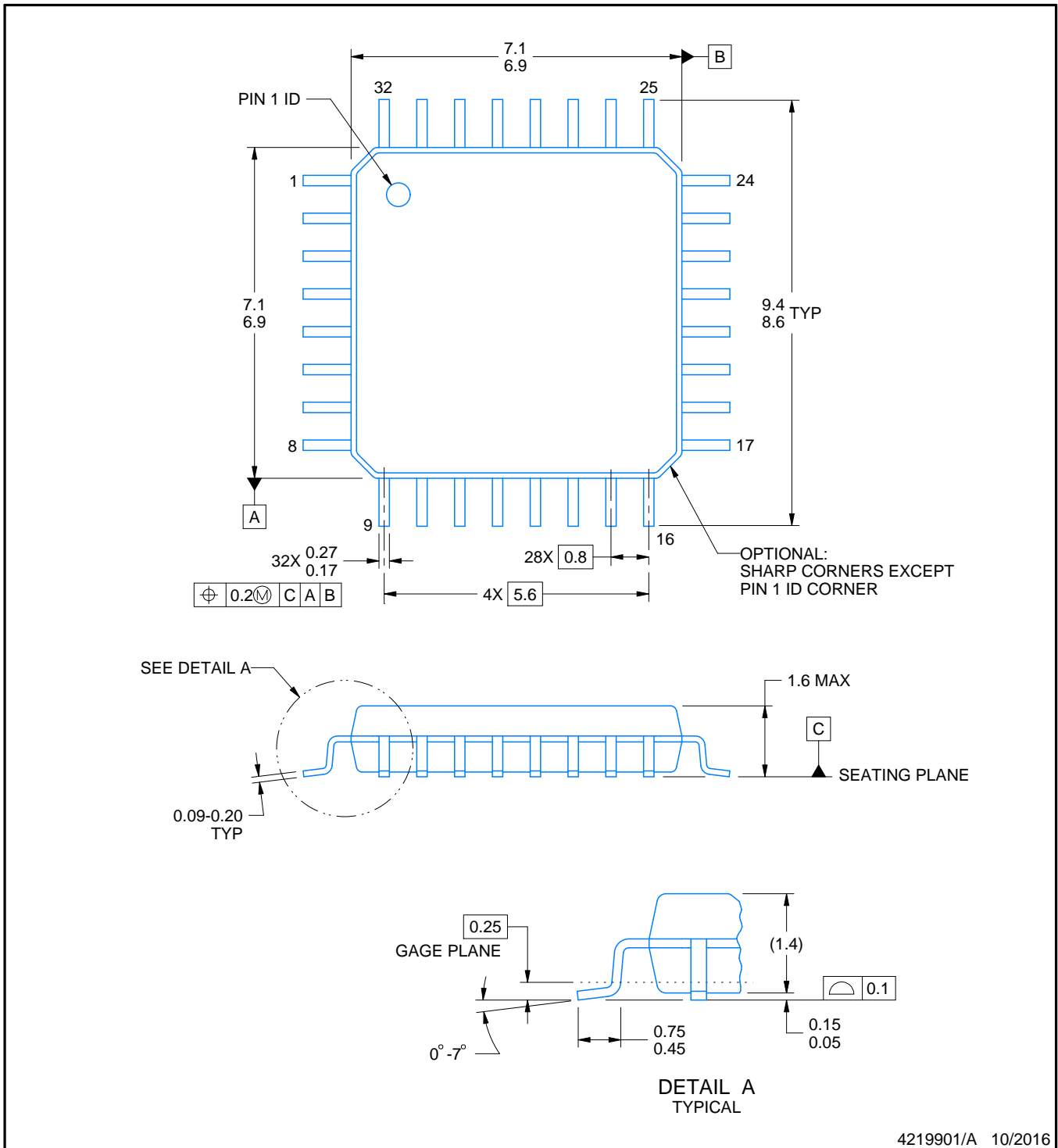
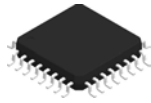


Chamfer on Tray corner indicates Pin 1 orientation of packed units.

\*All dimensions are nominal

Device	Package Name	Package Type	Pins	SPQ	Unit array matrix	Max temperature (°C)	L (mm)	W (mm)	K0 (µm)	P1 (mm)	CL (mm)	CW (mm)
LMV1089VY/NOPB	NEY	LQFP	32	250	10 x 25	150	315	135.9	7620	12.2	11.1	11.25





4219901/A 10/2016

NOTES:

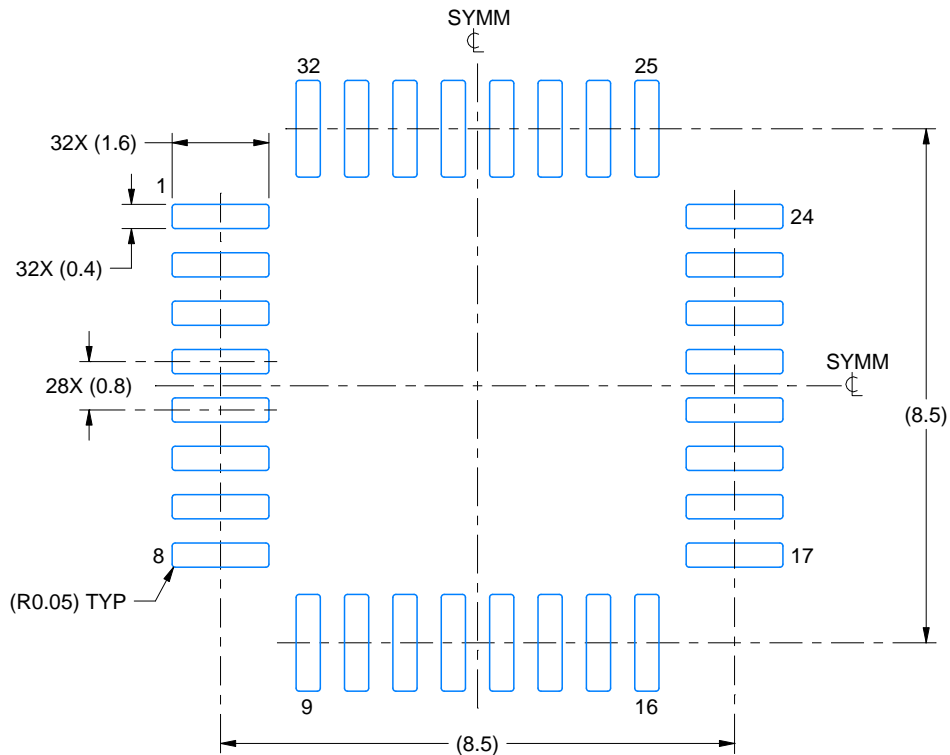
1. All linear dimensions are in millimeters. Any dimensions in parenthesis are for reference only. Dimensioning and tolerancing per ASME Y14.5M.
2. This drawing is subject to change without notice.
3. Reference JEDEC registration MS-026.

# EXAMPLE BOARD LAYOUT

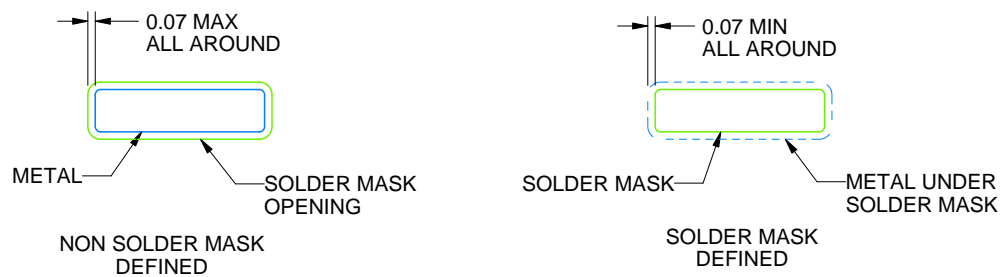
NEY0032A

LQFP - 1.6 mm max height

PLASTIC QUAD FLATPACK



LAND PATTERN EXAMPLE  
SCALE:8X



SOLDER MASK DETAILS

4219901/A 10/2016

NOTES: (continued)

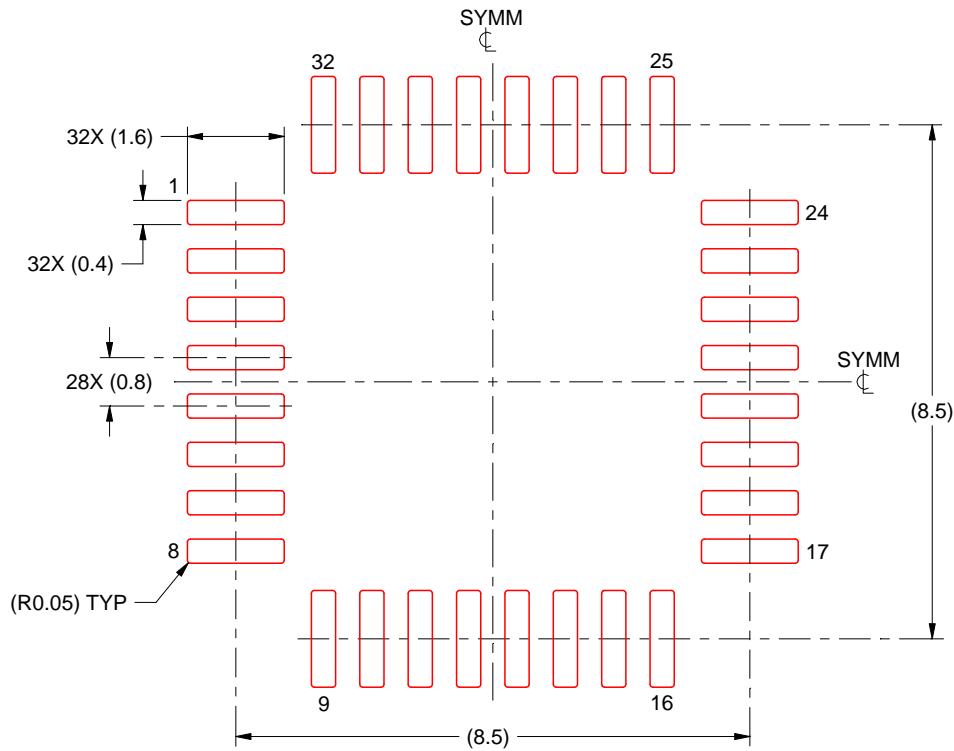
4. Publication IPC-7351 may have alternate designs.
5. Solder mask tolerances between and around signal pads can vary based on board fabrication site.

# EXAMPLE STENCIL DESIGN

NEY0032A

LQFP - 1.6 mm max height

PLASTIC QUAD FLATPACK



SOLDER PASTE EXAMPLE  
SCALE 8X

4219901/A 10/2016

NOTES: (continued)

6. Laser cutting apertures with trapezoidal walls and rounded corners may offer better paste release. IPC-7525 may have alternate design recommendations.
7. Board assembly site may have different recommendations for stencil design.

## IMPORTANT NOTICE AND DISCLAIMER

TI PROVIDES TECHNICAL AND RELIABILITY DATA (INCLUDING DATA SHEETS), DESIGN RESOURCES (INCLUDING REFERENCE DESIGNS), APPLICATION OR OTHER DESIGN ADVICE, WEB TOOLS, SAFETY INFORMATION, AND OTHER RESOURCES "AS IS" AND WITH ALL FAULTS, AND DISCLAIMS ALL WARRANTIES, EXPRESS AND IMPLIED, INCLUDING WITHOUT LIMITATION ANY IMPLIED WARRANTIES OF MERCHANTABILITY, FITNESS FOR A PARTICULAR PURPOSE OR NON-INFRINGEMENT OF THIRD PARTY INTELLECTUAL PROPERTY RIGHTS.

These resources are intended for skilled developers designing with TI products. You are solely responsible for (1) selecting the appropriate TI products for your application, (2) designing, validating and testing your application, and (3) ensuring your application meets applicable standards, and any other safety, security, regulatory or other requirements.

These resources are subject to change without notice. TI grants you permission to use these resources only for development of an application that uses the TI products described in the resource. Other reproduction and display of these resources is prohibited. No license is granted to any other TI intellectual property right or to any third party intellectual property right. TI disclaims responsibility for, and you will fully indemnify TI and its representatives against, any claims, damages, costs, losses, and liabilities arising out of your use of these resources.

TI's products are provided subject to [TI's Terms of Sale](#) or other applicable terms available either on [ti.com](https://www.ti.com) or provided in conjunction with such TI products. TI's provision of these resources does not expand or otherwise alter TI's applicable warranties or warranty disclaimers for TI products.

TI objects to and rejects any additional or different terms you may have proposed.

Mailing Address: Texas Instruments, Post Office Box 655303, Dallas, Texas 75265

Copyright © 2025, Texas Instruments Incorporated