

LMK60XX 高性能低抖动振荡器

1 特性

- 低噪声、高性能
 - 抖动: $F_{out} > 100\text{MHz}$ 时的典型值为 150fs (RMS)
 - 电源抑制比 (PSRR): -60dBc, 出色的电源抗扰度
- 支持的输出格式
 - 低压正发射极耦合逻辑 (LVPECL)、低压差分信号 (LVDS) 和高速收发器逻辑 (HCSL) 高达 400MHz
- 总频率容差为 $\pm 50\text{ppm}$ (LMK60X2) 和 $\pm 25\text{ppm}$ (LMK60X0)
- 3.3V 工作电压
- 工业温度范围 (-40°C 至 +85°C)
- 7mm x 5mm 6 引脚封装, 与行业标准 7050 XO 封装引脚兼容

2 应用

- 晶体振荡器、SAW 振荡器或芯片振荡器的高性能替代产品
- 开关、路由器、网卡、基带装置 (BBU)、服务器、存储/SAN
- 测试和测量
- 医疗成像
- FPGA, 处理器连接

3 说明

LMK60EX 是一系列可生成常用参考时钟的低抖动振荡器。该器件在出厂前进行了预编程, 支持任意参考时钟频率; 支持的输出格式包括 LVPECL、LVDS 以及 HCSL (最高 400MHz)。内部电源调节功能提供出色的电源纹波抑制 (PSRR), 降低了供电网络的成本和复杂性。该器件由单个 $3.3\text{V} \pm 5\%$ 电源供电。

器件信息(1)

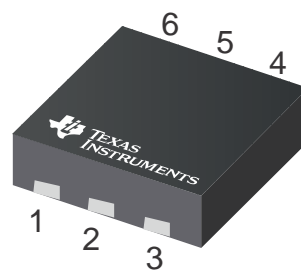
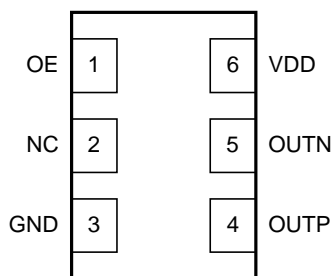
器件型号	封装	尺寸
LMK60E2-100M	QFM (6)	7.00mm x 5.00mm
LMK60E2-125M	QFM (6)	7.00mm x 5.00mm
LMK60E2-156M	QFM (6)	7.00mm x 5.00mm
LMK60E0-156M	QFM (6)	7.00mm x 5.00mm
LMK60E0-212M	QFM (6)	7.00mm x 5.00mm
LMK60I2-100M	QFM (6)	7.00mm x 5.00mm
LMK60I2-322M	QFM (6)	7.00mm x 5.00mm

(1) 如需了解所有可用封装, 请参阅数据表末尾的可订购产品附录。

输出频率选项

器件型号	输出频率 (MHz) 及格式	总频率稳定性 (ppm)
LMK60E2-100M	100 LVPECL	± 50
LMK60E2-125M	125 LVPECL	± 50
LMK60E2-156M	156.25 LVPECL	± 50
LMK60E0-156M	156.25 LVPECL	± 25
LMK60E0-212M	212.5 LVPECL	± 25
LMK60I2-100M	100 HCSL	± 50
LMK60I2-322M	322.265625 HCSL	± 50

引脚分配



目录

1	特性	1	6.11	Power-On/Reset Characteristics (VDD).....	6
2	应用	1	6.12	PSRR Characteristics	6
3	说明	1	6.13	PLL Clock Output Jitter Characteristics	6
4	修订历史记录	2	6.14	Additional Reliability and Qualification	6
5	Pin Configuration and Functions	3	7	Parameter Measurement Information	7
6	Specifications	3	7.1	Device Output Configurations	7
6.1	Absolute Maximum Ratings	3	8	Power Supply Recommendations	9
6.2	ESD Ratings	3	9	Layout	9
6.3	Recommended Operating Conditions.....	4	9.1	Layout Guidelines	9
6.4	Thermal Information	4	10	器件和文档支持	11
6.5	Electrical Characteristics - Power Supply	4	10.1	接收文档更新通知	11
6.6	LVPECL Output Characteristics.....	4	10.2	社区资源.....	11
6.7	LVDS Output Characteristics	5	10.3	商标.....	11
6.8	HCSL Output Characteristics.....	5	10.4	静电放电警告.....	11
6.9	OE Input Characteristics	5	10.5	Glossary	11
6.10	Frequency Tolerance Characteristics	5	11	机械、封装和可订购信息.....	12

4 修订历史记录

Changes from Revision B (November 2017) to Revision C Page

- 新发布了 LMK60E2-100M

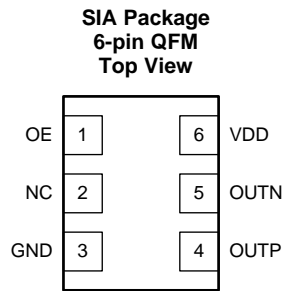
Changes from Revision A (June 2017) to Revision B Page

- 新发布了 LMK60E2-125M
- 新发布了 LMK60I2-100M.....
- 新发布了 LMK60I2-322M.....

Changes from Original (December 2016) to Revision A Page

- 添加了 LMK60E0-156M 和 LMK60E0-212M

5 Pin Configuration and Functions



Pin Functions

PIN		I/O	DESCRIPTION
NAME	NO.		
POWER			
GND	3	Ground	Device ground
VDD	6	Analog	3.3-V power supply
OUTPUT BLOCK			
OUTP, OUTN	4, 5	Universal	Differential output pair (LVPECL, LVDS or HCSSL).
DIGITAL CONTROL / INTERFACES			
NC	2	N/A	No connect
OE	1	LVC MOS	Output enable (internal pullup). When set to low, output pair is disabled and set at high impedance.

6 Specifications

6.1 Absolute Maximum Ratings

over operating free-air temperature range (unless otherwise noted)⁽¹⁾

		MIN	MAX	UNIT
VDD	Device supply voltage	-0.3	3.6	V
V _{IN}	Output voltage for logic inputs	-0.3	VDD + 0.3	V
V _{OUT}	Output voltage for clock outputs	-0.3	VDD + 0.3	V
T _J	Junction temperature		150	°C
T _{STG}	Storage temperature	-40	125	°C

- (1) Stresses beyond those listed under *Absolute Maximum Ratings* may cause permanent damage to the device. These are stress ratings only, which do not imply functional operation of the device at these or any other conditions beyond those indicated under *Recommended Operating Conditions*. Exposure to absolute maximum-rated conditions for extended periods may affect device reliability.

6.2 ESD Ratings

		VALUE	UNIT
V _(ESD)	Electrostatic discharge	Human-body model (HBM), per ANSI/ESDA/JEDEC JS-001 ⁽¹⁾	±2000
		Charged-device model (CDM), per JEDEC specification JESD22-C101 ⁽²⁾	±500

(1) JEDEC document JEP155 states that 500 V HBM allows safe manufacturing with a standard ESD control process.

(2) JEDEC document JEP157 states that 250 V CDM allows safe manufacturing with a standard ESD control process.

6.3 Recommended Operating Conditions

over operating free-air temperature range (unless otherwise noted)

		MIN	NOM	MAX	UNIT
VDD	Device supply voltage	3.135	3.3	3.465	V
T _A	Ambient temperature	-40	25	85	°C
T _J	Junction temperature			105	°C
t _{RAMP}	VDD power-up ramp time	0.1		100	ms

6.4 Thermal Information

THERMAL METRIC ⁽¹⁾		LMK60EX ^{(2) (3) (4)}		UNIT
		SIA (QFM)		
		6 PINS		
		Airflow (LFM) 0		
R _{θJA}	Junction-to-ambient thermal resistance	74.8		°C/W
R _{θJC(top)}	Junction-to-case (top) thermal resistance	46.7		°C/W
R _{θJB}	Junction-to-board thermal resistance	49.0		°C/W
ψ _{JT}	Junction-to-top characterization parameter	14.8		°C/W
ψ _{JB}	Junction-to-board characterization parameter	48.7		°C/W
R _{θJC(bot)}	Junction-to-case (bottom) thermal resistance	n/a		°C/W

- (1) For more information about traditional and new thermal metrics, see the [Semiconductor and IC Package Thermal Metrics](#) application report.
- (2) The package thermal resistance is calculated on a 4 layer JEDEC board.
- (3) Connected to GND with 2 thermal vias (0.3-mm diameter).
- (4) ψ_{JB} (junction to board) is used when the main heat flow is from the junction to the GND pad. Please refer to Thermal Considerations section for more information on ensuring good system reliability and quality.

6.5 Electrical Characteristics - Power Supply⁽¹⁾

VDD = 3.3 V ± 5%, T_A = -40C to 85°C

PARAMETER	TEST CONDITIONS	MIN	TYP	MAX	UNIT	
IDD	Device current consumption	LVPECL ⁽²⁾		95	110	mA
		LVDS		85	100	
		HCSL ⁽³⁾		90	105	
IDD-PD	Device current consumption when output is disabled	OE = GND		70	mA	

- (1) Refer to [Parameter Measurement Information](#) for relevant test conditions.
- (2) On-chip power dissipation should exclude 40 mW, dissipated in the 150 Ω termination resistors, from total power dissipation.
- (3) Excludes load current.

6.6 LVPECL Output Characteristics⁽¹⁾

VDD = 3.3 V ± 5%, T_A = -40C to 85°C

PARAMETER	TEST CONDITIONS	MIN	TYP	MAX	UNIT
f _{OUT}	Output frequency ⁽²⁾			400	MHz
V _{OD}	Output voltage swing (V _{OH} – V _{OL}) ⁽²⁾	700	950	1200	mV
V _{OUT, DIFF, PP}	Differential output peak-to-peak swing	2 × V _{OD}			V
V _{OS}	Output common-mode voltage	VDD – 1.45			V
t _R / t _F	Output rise/fall time (20% to 80%) ⁽³⁾		260	350	ps
ODC	Output duty cycle ⁽³⁾	45%		55%	

- (1) Refer to [Parameter Measurement Information](#) for relevant test conditions.
- (2) An output frequency over f_{OUT} max spec is possible, but output swing may be less than V_{OD} min spec.
- (3) Ensured by characterization.

6.7 LVDS Output Characteristics⁽¹⁾

VDD = 3.3 V ± 5%, T_A = -40°C to 85°C

PARAMETER		TEST CONDITIONS	MIN	TYP	MAX	UNIT
f _{OUT}	Output frequency ⁽¹⁾				400	MHz
V _{OD}	Output voltage swing (V _{OH} – V _{OL}) ⁽¹⁾		300	390	480	mV
V _{OUT, DIFF, PP}	Differential output peak-to-peak swing		2 x V _{OD}			V
V _{OS}	Output common-mode voltage		1.2			V
t _R / t _F	Output rise/fall time (20% to 80%) ⁽²⁾		260		350	ps
ODC	Output duty cycle ⁽²⁾		45%		55%	
R _{OUT}	Differential output impedance		107			Ω

(1) An output frequency over f_{OUT} max spec is possible, but output swing may be less than V_{OD} min spec.

(2) Ensured by characterization.

6.8 HCSL Output Characteristics⁽¹⁾

VDD = 3.3 V ± 5%, T_A = -40°C to 85°C

PARAMETER		TEST CONDITIONS	MIN	TYP	MAX	UNIT
f _{OUT}	Output frequency				400	MHz
V _{OH}	Output high voltage		660		900	mV
V _{OL}	Output low voltage		-100		100	mV
V _{CROSS}	Absolute crossing voltage ⁽²⁾⁽³⁾		250		475	mV
V _{CROSS-DELTA}	Variation of V _{CROSS} ⁽²⁾⁽³⁾		0		140	mV
dV/dt	Slew rate ⁽⁴⁾		1		3	V/ns
ODC	Output duty cycle ⁽⁴⁾		45%		55%	

(1) Refer to [Parameter Measurement Information](#) for relevant test conditions.

(2) Measured from -150 mV to +150 mV on the differential waveform with the 300 mVpp measurement window centered on the differential zero crossing.

(3) Ensured by design.

(4) Ensured by characterization.

6.9 OE Input Characteristics

VDD = 3.3 V ± 5%, T_A = -40°C to 85°C

PARAMETER		TEST CONDITIONS	MIN	TYP	MAX	UNIT
V _{IH}	Input high voltage		1.4			V
V _{IL}	Input low voltage				0.6	V
I _{IH}	Input high current	V _{IH} = VDD	-40		40	μA
I _{IL}	Input low current	V _{IL} = GND	-40		40	μA
C _{IN}	Input capacitance			2		pF

6.10 Frequency Tolerance Characteristics⁽¹⁾

VDD = 3.3 V ± 5%, T_A = -40°C to 85°C

PARAMETER		TEST CONDITIONS	MIN	TYP	MAX	UNIT
f _T	Total frequency tolerance	LMK60X2: All output formats, frequency bands and device junction temperature up to 105°C; includes initial freq tolerance, temperature & supply voltage variation, solder reflow and 5-year aging at 40°C	-50		50	ppm
		LMK60X0: All output formats, frequency bands and device junction temperature up to 105°C; includes initial freq tolerance, temperature & supply voltage variation, solder reflow and 5-year aging at 40°C	-25		25	ppm

(1) Ensured by characterization.

6.11 Power-On/Reset Characteristics (VDD)

VDD = 3.3 V ± 5%, T_A = -40°C to 85°C

PARAMETER	TEST CONDITIONS	MIN	TYP	MAX	UNIT	
V _{THRESH}	Threshold voltage ⁽¹⁾	2.85		3	V	
V _{DROOP}	Allowable voltage droop ⁽²⁾			0.1	V	
t _{STARTUP}	Start-up time ⁽¹⁾	Time elapsed from VDD at 3.135 V to output enabled			10	ms
t _{OE-EN}	Output enable time ⁽²⁾	Time elapsed from OE at V _{IH} to output enabled			50	μs
t _{OE-DIS}	Output disable time ⁽²⁾	Time elapsed from OE at V _{IL} to output disabled			50	μs

(1) Ensured by characterization.

(2) Ensured by design.

6.12 PSRR Characteristics⁽¹⁾

VDD = 3.3 V, T_A = 25°C

PARAMETER	TEST CONDITIONS	MIN	TYP	MAX	UNIT
PSRR	Sine wave at 50 kHz		-60		dBc
	Sine wave at 100 kHz		-60		
	Sine wave at 500 kHz		-60		
	Sine wave at 1 MHz		-60		

(1) Refer to [Parameter Measurement Information](#) for relevant test conditions.

(2) Measured max spur level with 50 mVpp sinusoidal signal between 50 kHz and 1 MHz applied on VDD pin

(3) $DJ_{SPUR} (ps, pk-pk) = [2 \cdot 10 \cdot (SPUR/20) / (\pi \cdot f_{OUT})] \cdot 1e6$, where PSRR or SPUR in dBc and f_{OUT} in MHz.

6.13 PLL Clock Output Jitter Characteristics⁽¹⁾⁽²⁾

VDD = 3.3 V ± 5%, T_A = -40°C to 85°C

PARAMETER	TEST CONDITIONS	MIN	TYP	MAX	UNIT		
RJ	RMS phase jitter ⁽³⁾ (12 kHz – 20 MHz)	f _{OUT} ≥ 100 MHz, all output types			150	250	fs RMS

(1) Refer to [Parameter Measurement Information](#) for relevant test conditions.

(2) Phase jitter measured with Agilent E5052 signal source analyzer using a differential-to-single ended converter (balun or buffer).

(3) Ensured by characterization.

6.14 Additional Reliability and Qualification

PARAMETER	CONDITION / TEST METHOD
Mechanical Shock	MIL-STD-202, Method 213
Mechanical Vibration	MIL-STD-202, Method 204
Moisture Sensitivity Level	J-STD-020, MSL3

7 Parameter Measurement Information

7.1 Device Output Configurations

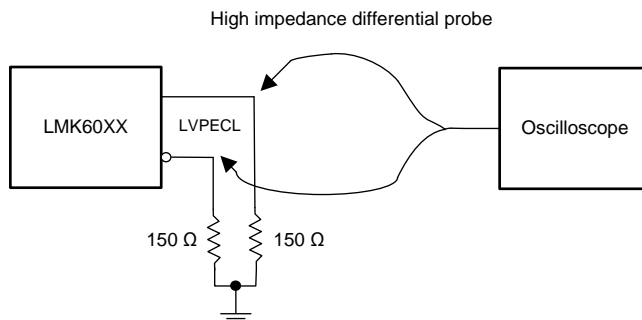


Figure 1. LVPECL Output DC Configuration During Device Test

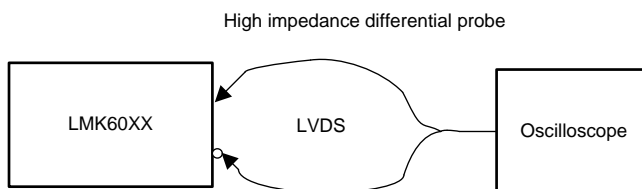


Figure 2. LVDS Output DC Configuration During Device Test

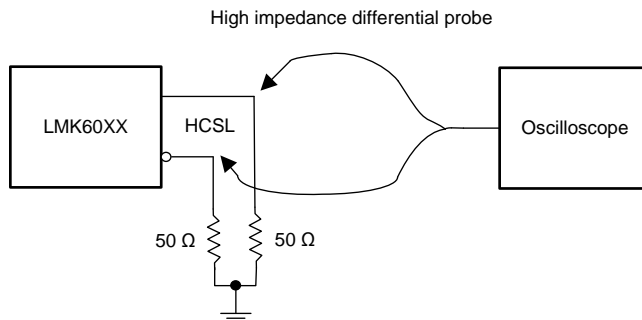


Figure 3. HCSL Output DC Configuration During Device Test ⁽¹⁾

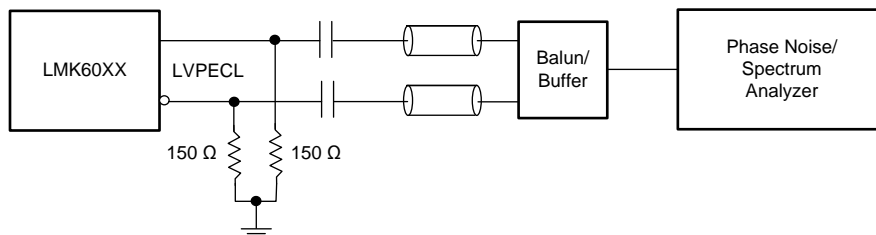


Figure 4. LVPECL Output AC Configuration During Device Test

(1) Also compatible with 85 Ω termination

Device Output Configurations (continued)

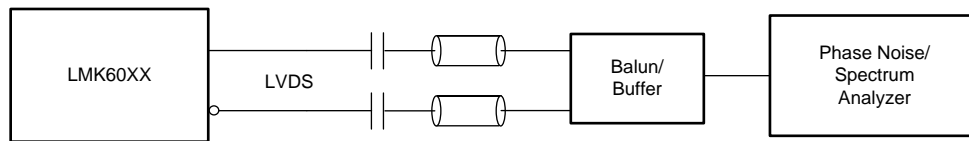


Figure 5. LVDS Output AC Configuration During Device Test

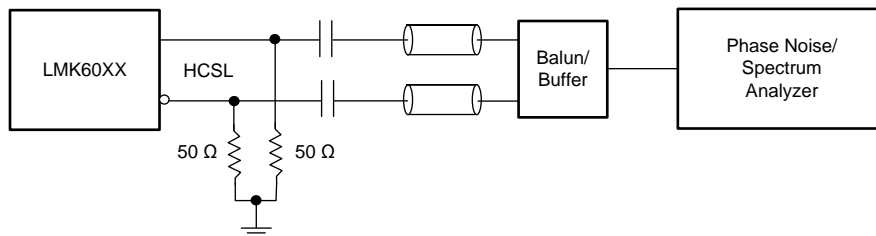


Figure 6. HCSL Output AC Configuration During Device Test

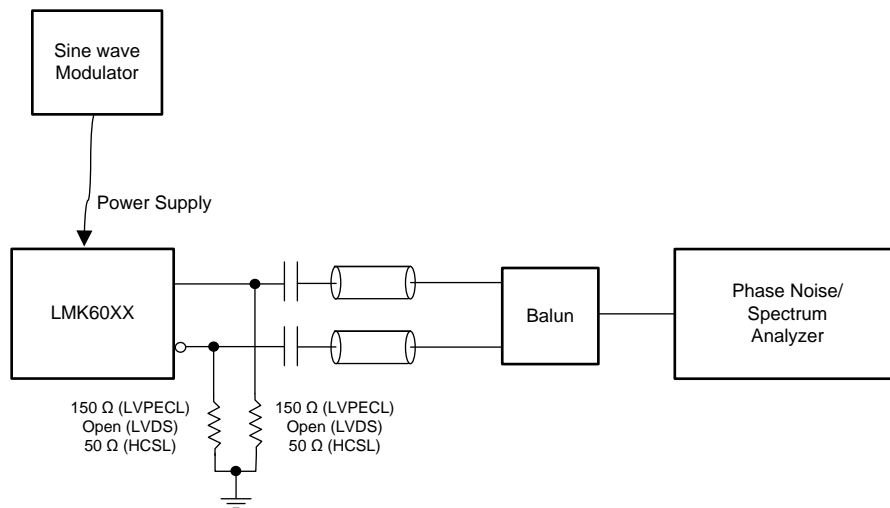


Figure 7. PSRR Test Setup

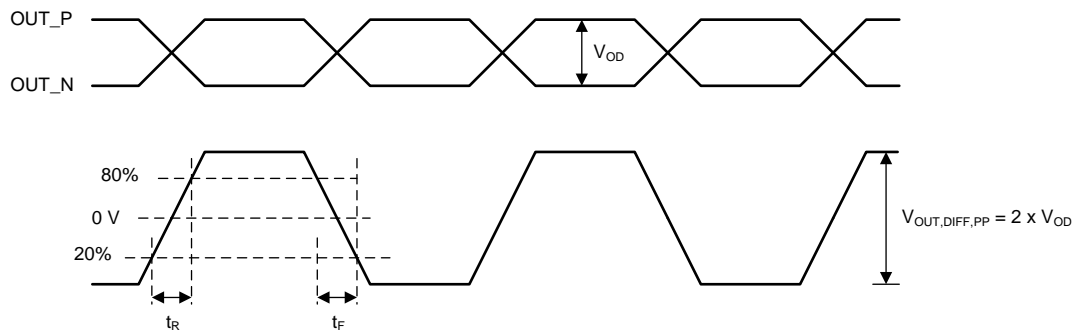


Figure 8. Differential Output Voltage and Rise/Fall Time

8 Power Supply Recommendations

For best electrical performance of LMK60EX, TI recommends using a combination of 10 μF , 1 μF , and 0.1 μF on its power-supply bypass network. TI also recommends using component side mounting of the power-supply bypass capacitors and it is best to use 0201 or 0402 body size capacitors to facilitate signal routing. Keep the connections between the bypass capacitors and the power supply on the device as short as possible. Ground the other side of the capacitor using a low impedance connection to the ground plane. [Figure 9](#) shows the layout recommendation for power supply decoupling of LMK60EX.

9 Layout

9.1 Layout Guidelines

The following sections provides recommendations for board layout, solder reflow profile, and power supply bypassing when using LMK60EX to ensure good thermal and electrical performance, along with overall signal integrity of entire system.

9.1.1 Ensuring Thermal Reliability

The LMK60EX is a high-performance device. Therefore, pay careful attention to device configuration and the printed-circuit board (PCB) layout with respect to power consumption. The ground pin must be connected to the ground plane of the PCB through three vias or more, as shown in [Figure 9](#), to maximize thermal dissipation out of the package.

[Equation 1](#) describes the relationship between the PCB temperature around the LMK60EX and its junction temperature.

$$T_B = T_J - \Psi_{JB} * P$$

where

- T_B : PCB temperature around the LMK60EX
 - T_J : Junction temperature of LMK60EX
 - Ψ_{JB} : Junction-to-board thermal resistance parameter of LMK60EX (48.7°C/W without airflow)
 - P: On-chip power dissipation of LMK60EX
- (1)

To ensure that the maximum junction temperature of LMK60EX is below 105°C, it can be calculated that the maximum PCB temperature without airflow should be at 87°C or below when the device is optimized for best performance resulting in maximum on-chip power dissipation of 0.36 W.

9.1.2 Best Practices for Signal Integrity

For best electrical performance and signal integrity of entire system with LMK60EX, TI recommends routing vias into decoupling capacitors and then into the LMK60EX. TI also recommends increasing the via count and width of the traces wherever possible. These steps ensure lowest impedance and shortest path for high frequency current flow. [Figure 9](#) shows the layout recommendation for LMK60EX.

Layout Guidelines (continued)

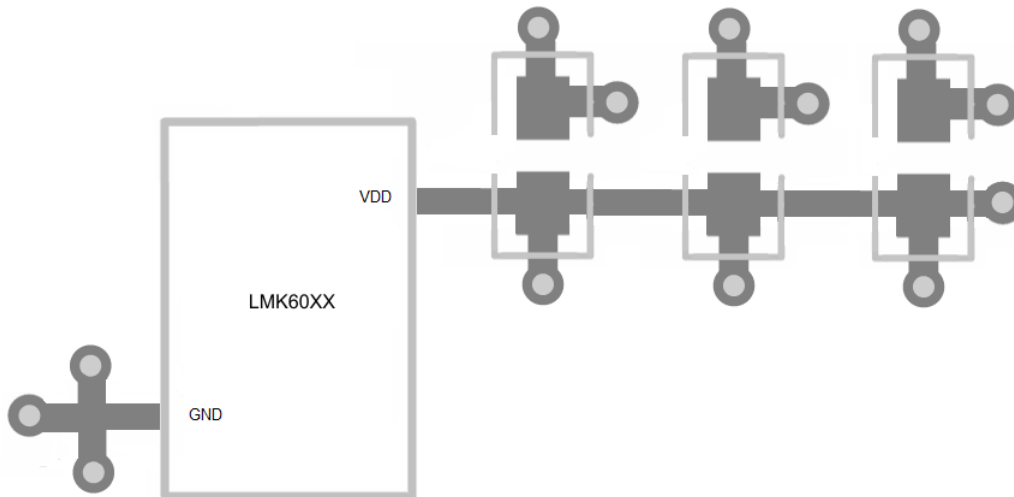


Figure 9. LMK60EX Layout Recommendation for Power Supply and Ground

9.1.3 Recommended Solder Reflow Profile

TI recommends following the recommendations of the solder paste supplier to optimize flux activity and to achieve proper melting temperatures of the alloy within the guidelines of J-STD-20. Processing the LMK60EX to be processed with the lowest peak temperature possible while also remaining below the components peak temperature rating as listed on the MSL label is preferred. The exact temperature profile would depend on several factors including maximum peak temperature for the component as rated on the MSL label, board thickness, PCB material type, PCB geometries, component locations, sizes, densities within PCB, as well as the recommended soldering profile from the manufacturer and capability of the reflow equipment to as confirmed by the SMT assembly operation.

10 器件和文档支持

10.1 接收文档更新通知

要接收文档更新通知，请导航至 TI.com 上的器件产品文件夹。单击右上角的 [通知我](#) 进行注册，即可每周接收产品信息更改摘要。有关更改的详细信息，请查看任何已修订文档中包含的修订历史记录。

10.2 社区资源

下列链接提供到 TI 社区资源的连接。链接的内容由各个分销商“按照原样”提供。这些内容并不构成 TI 技术规范，并且不一定反映 TI 的观点；请参阅 TI 的 [《使用条款》](#)。

TI E2E™ 在线社区 [TI 的工程师对工程师 \(E2E\) 社区](#)。此社区的创建目的在于促进工程师之间的协作。在 e2e.ti.com 中，您可以咨询问题、分享知识、拓展思路并与同行工程师一道帮助解决问题。

设计支持 [TI 参考设计支持](#) 可帮助您快速查找有帮助的 E2E 论坛、设计支持工具以及技术支持的联系信息。

10.3 商标

E2E is a trademark of Texas Instruments.

All other trademarks are the property of their respective owners.

10.4 静电放电警告



这些装置包含有限的内置 ESD 保护。存储或装卸时，应将导线一起截短或将装置放置于导电泡棉中，以防止 MOS 门极遭受静电损伤。

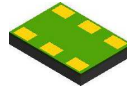
10.5 Glossary

[SLYZ022](#) — *TI Glossary*.

This glossary lists and explains terms, acronyms, and definitions.

11 机械、封装和可订购信息

以下页面包含机械、封装和可订购信息。这些信息是指定器件的最新可用数据。数据如有变更，恕不另行通知和修订此文档。如欲获取此数据表的浏览器版本，请参阅左侧的导航。

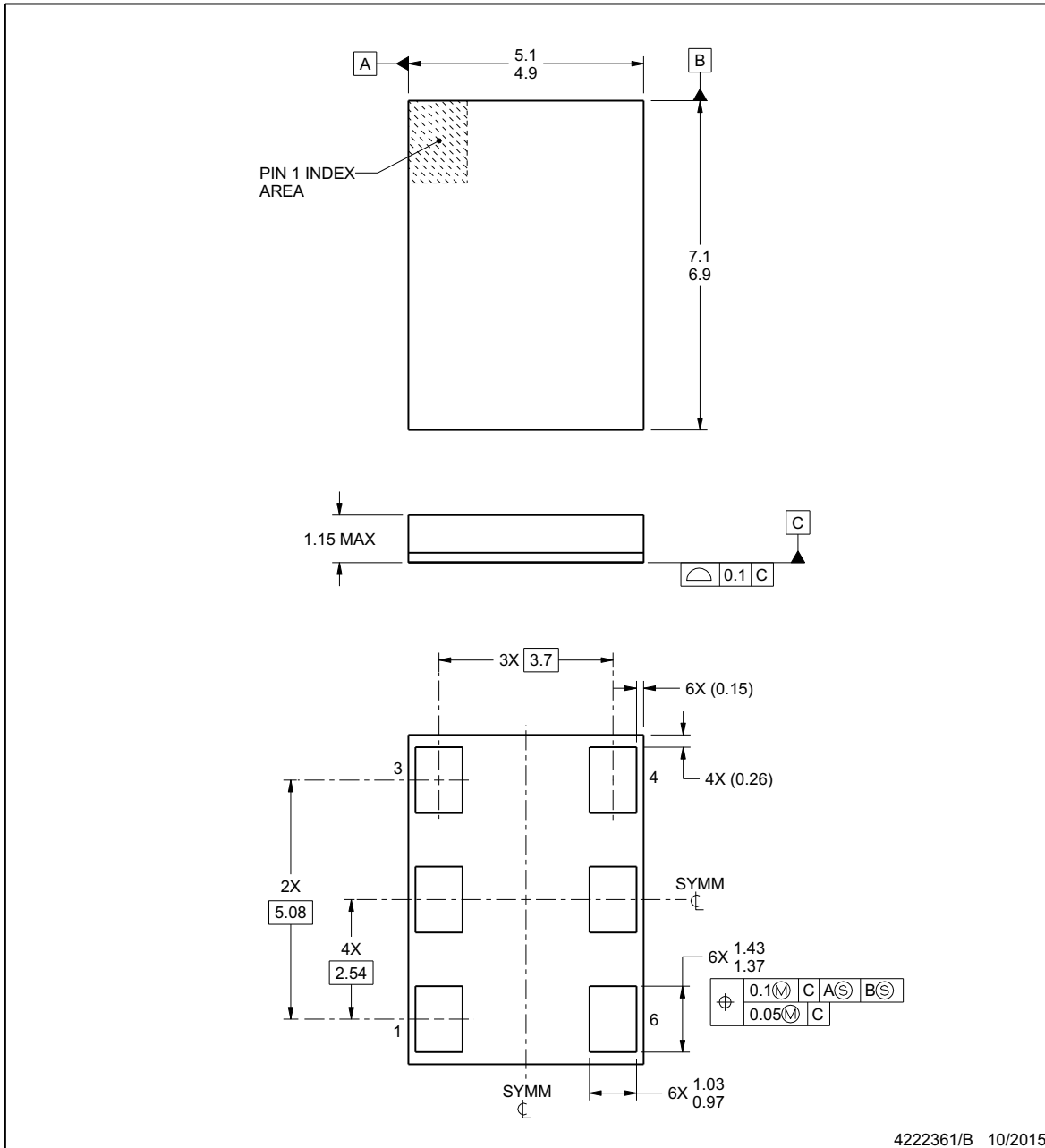


PACKAGE OUTLINE

SIA0006A

QFM - 1.15 mm max height

QUAD FLAT MODULE



4222361/B 10/2015

NOTES:

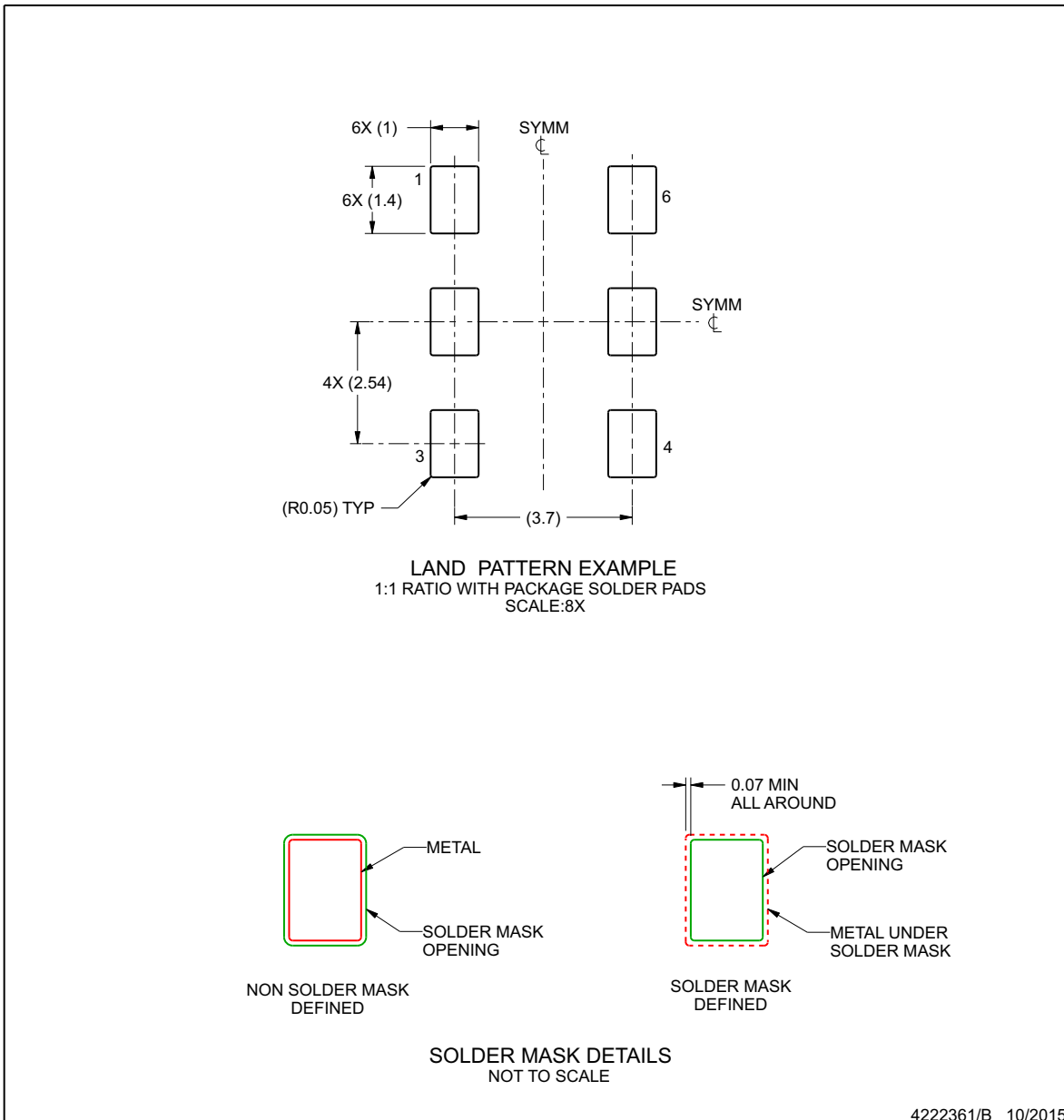
1. All linear dimensions are in millimeters. Any dimensions in parenthesis are for reference only. Dimensioning and tolerancing per ASME Y14.5M.
2. This drawing is subject to change without notice.

EXAMPLE BOARD LAYOUT

SIA0006A

QFM - 1.15 mm max height

QUAD FLAT MODULE



NOTES: (continued)

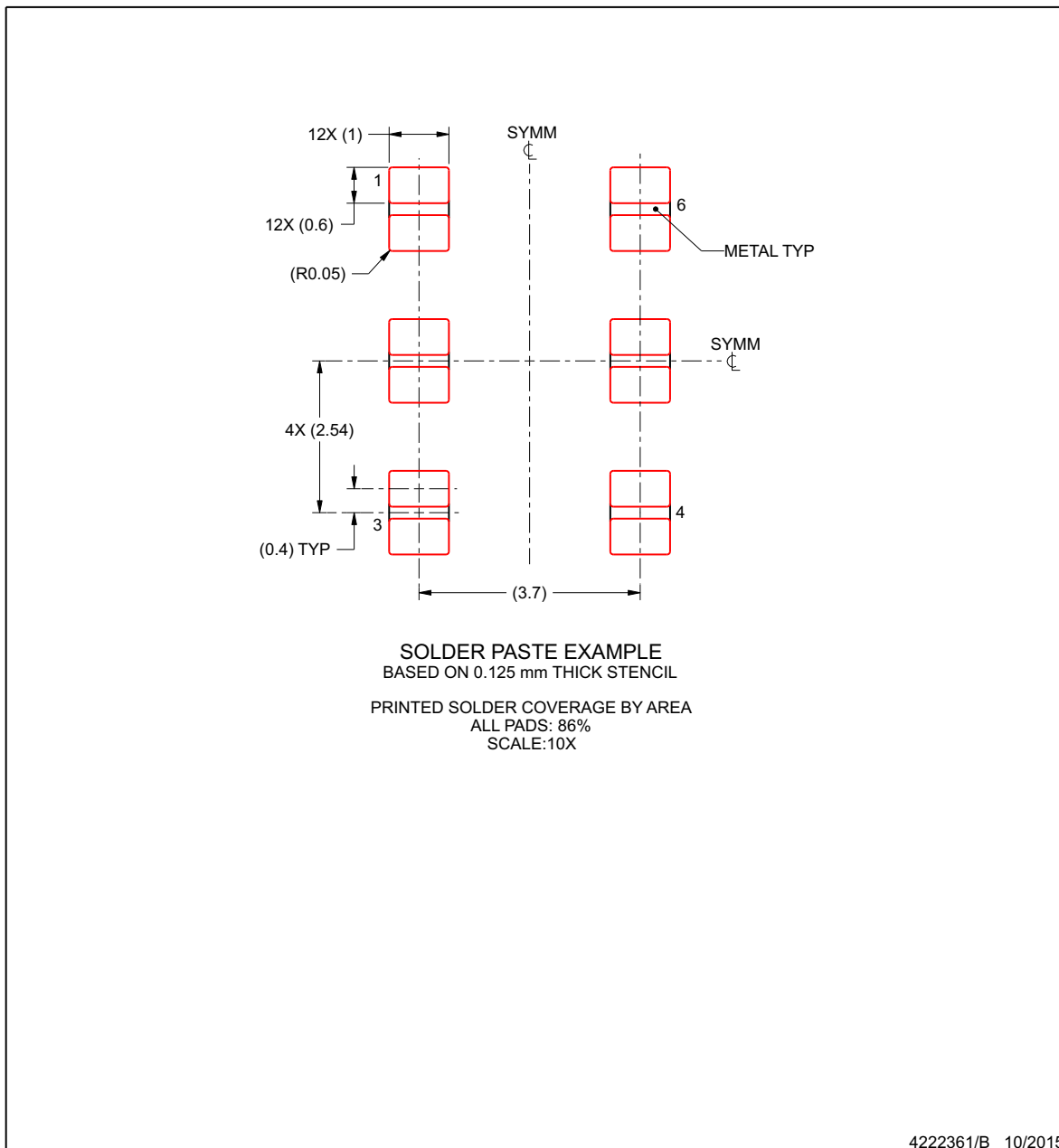
3. For more information, see Texas Instruments literature number SLUA271 (www.ti.com/lit/slua271).

EXAMPLE STENCIL DESIGN

SIA0006A

QFM - 1.15 mm max height

QUAD FLAT MODULE



NOTES: (continued)

4. Laser cutting apertures with trapezoidal walls and rounded corners may offer better paste release. IPC-7525 may have alternate design recommendations.

PACKAGING INFORMATION

Orderable Device	Status (1)	Package Type	Package Drawing	Pins	Package Qty	Eco Plan (2)	Lead finish/ Ball material (6)	MSL Peak Temp (3)	Op Temp (°C)	Device Marking (4/5)	Samples
LMK60E0-156M25SIAR	ACTIVE	QFM	SIA	6	2500	RoHS & Green	NIAU	Level-3-260C-168 HR	-40 to 85	LMK60E0 156M25	Samples
LMK60E0-156M25SIAT	ACTIVE	QFM	SIA	6	250	RoHS & Green	NIAU	Level-3-260C-168 HR	-40 to 85	LMK60E0 156M25	Samples
LMK60E0-212M50SIAR	NRND	QFM	SIA	6	2500	RoHS & Green	NIAU	Level-3-260C-168 HR	-40 to 85	LMK60E0 212M50	
LMK60E0-212M50SIAT	NRND	QFM	SIA	6	250	RoHS & Green	NIAU	Level-3-260C-168 HR	-40 to 85	LMK60E0 212M50	
LMK60E2-100M00SIAR	NRND	QFM	SIA	6	2500	RoHS & Green	NIAU	Level-3-260C-168 HR	-40 to 85	LMK60E2 100M00	
LMK60E2-100M00SIAT	NRND	QFM	SIA	6	250	RoHS & Green	NIAU	Level-3-260C-168 HR	-40 to 85	LMK60E2 100M00	
LMK60E2-125M00SIAR	NRND	QFM	SIA	6	2500	RoHS & Green	NIAU	Level-3-260C-168 HR	-40 to 85	LMK60E2 125M00	
LMK60E2-125M00SIAT	NRND	QFM	SIA	6	250	RoHS & Green	NIAU	Level-3-260C-168 HR	-40 to 85	LMK60E2 125M00	
LMK60E2-156M25SIAR	NRND	QFM	SIA	6	2500	RoHS & Green	NIAU	Level-3-260C-168 HR	-40 to 85	LMK60E2 156M25	
LMK60E2-156M25SIAT	NRND	QFM	SIA	6	250	RoHS & Green	NIAU	Level-3-260C-168 HR	-40 to 85	LMK60E2 156M25	
LMK60I2-100M00SIAR	NRND	QFM	SIA	6	2500	RoHS & Green	NIAU	Level-3-260C-168 HR	-40 to 85	LMK60I2 100M00	
LMK60I2-100M00SIAT	NRND	QFM	SIA	6	250	RoHS & Green	NIAU	Level-3-260C-168 HR	-40 to 85	LMK60I2 100M00	
LMK60I2-322M26SIAR	NRND	QFM	SIA	6	2500	RoHS & Green	NIAU	Level-3-260C-168 HR	-40 to 85	LMK60I2 322M26	
LMK60I2-322M26SIAT	NRND	QFM	SIA	6	250	RoHS & Green	NIAU	Level-3-260C-168 HR	-40 to 85	LMK60I2 322M26	

(1) The marketing status values are defined as follows:

ACTIVE: Product device recommended for new designs.

LIFEBUY: TI has announced that the device will be discontinued, and a lifetime-buy period is in effect.

NRND: Not recommended for new designs. Device is in production to support existing customers, but TI does not recommend using this part in a new design.

PREVIEW: Device has been announced but is not in production. Samples may or may not be available.

OBSOLETE: TI has discontinued the production of the device.

(2) **RoHS:** TI defines "RoHS" to mean semiconductor products that are compliant with the current EU RoHS requirements for all 10 RoHS substances, including the requirement that RoHS substance do not exceed 0.1% by weight in homogeneous materials. Where designed to be soldered at high temperatures, "RoHS" products are suitable for use in specified lead-free processes. TI may reference these types of products as "Pb-Free".

RoHS Exempt: TI defines "RoHS Exempt" to mean products that contain lead but are compliant with EU RoHS pursuant to a specific EU RoHS exemption.

Green: TI defines "Green" to mean the content of Chlorine (Cl) and Bromine (Br) based flame retardants meet JS709B low halogen requirements of ≤ 1000 ppm threshold. Antimony trioxide based flame retardants must also meet the ≤ 1000 ppm threshold requirement.

(3) **MSL, Peak Temp.** - The Moisture Sensitivity Level rating according to the JEDEC industry standard classifications, and peak solder temperature.

(4) There may be additional marking, which relates to the logo, the lot trace code information, or the environmental category on the device.

(5) Multiple Device Markings will be inside parentheses. Only one Device Marking contained in parentheses and separated by a "~" will appear on a device. If a line is indented then it is a continuation of the previous line and the two combined represent the entire Device Marking for that device.

(6) **Lead finish/Ball material** - Orderable Devices may have multiple material finish options. Finish options are separated by a vertical ruled line. Lead finish/Ball material values may wrap to two lines if the finish value exceeds the maximum column width.

Important Information and Disclaimer: The information provided on this page represents TI's knowledge and belief as of the date that it is provided. TI bases its knowledge and belief on information provided by third parties, and makes no representation or warranty as to the accuracy of such information. Efforts are underway to better integrate information from third parties. TI has taken and continues to take reasonable steps to provide representative and accurate information but may not have conducted destructive testing or chemical analysis on incoming materials and chemicals. TI and TI suppliers consider certain information to be proprietary, and thus CAS numbers and other limited information may not be available for release.

In no event shall TI's liability arising out of such information exceed the total purchase price of the TI part(s) at issue in this document sold by TI to Customer on an annual basis.

TAPE AND REEL INFORMATION



QUADRANT ASSIGNMENTS FOR PIN 1 ORIENTATION IN TAPE



*All dimensions are nominal

Device	Package Type	Package Drawing	Pins	SPQ	Reel Diameter (mm)	Reel Width W1 (mm)	A0 (mm)	B0 (mm)	K0 (mm)	P1 (mm)	W (mm)	Pin1 Quadrant
LMK60E0-156M25SIAR	QFM	SIA	6	2500	330.0	16.4	5.5	7.5	1.5	8.0	16.0	Q1
LMK60E0-156M25SIAT	QFM	SIA	6	250	178.0	16.4	5.5	7.5	1.5	8.0	16.0	Q1
LMK60E0-212M50SIAR	QFM	SIA	6	2500	330.0	16.4	5.5	7.5	1.5	8.0	16.0	Q1
LMK60E0-212M50SIAT	QFM	SIA	6	250	178.0	16.4	5.5	7.5	1.5	8.0	16.0	Q1
LMK60E2-100M00SIAR	QFM	SIA	6	2500	330.0	16.4	5.5	7.5	1.5	8.0	16.0	Q1
LMK60E2-100M00SIAT	QFM	SIA	6	250	178.0	16.4	5.5	7.5	1.5	8.0	16.0	Q1
LMK60E2-125M00SIAR	QFM	SIA	6	2500	330.0	16.4	5.5	7.5	1.5	8.0	16.0	Q1
LMK60E2-125M00SIAT	QFM	SIA	6	250	178.0	16.4	5.5	7.5	1.5	8.0	16.0	Q1
LMK60E2-156M25SIAR	QFM	SIA	6	2500	330.0	16.4	5.5	7.5	1.5	8.0	16.0	Q1
LMK60E2-156M25SIAT	QFM	SIA	6	250	178.0	16.4	5.5	7.5	1.5	8.0	16.0	Q1
LMK60I2-100M00SIAR	QFM	SIA	6	2500	330.0	16.4	5.5	7.5	1.5	8.0	16.0	Q1
LMK60I2-100M00SIAT	QFM	SIA	6	250	178.0	16.4	5.5	7.5	1.5	8.0	16.0	Q1
LMK60I2-322M26SIAR	QFM	SIA	6	2500	330.0	16.4	5.5	7.5	1.5	8.0	16.0	Q1
LMK60I2-322M26SIAT	QFM	SIA	6	250	178.0	16.4	5.5	7.5	1.5	8.0	16.0	Q1

TAPE AND REEL BOX DIMENSIONS


*All dimensions are nominal

Device	Package Type	Package Drawing	Pins	SPQ	Length (mm)	Width (mm)	Height (mm)
LMK60E0-156M25SIAR	QFM	SIA	6	2500	356.0	356.0	36.0
LMK60E0-156M25SIAT	QFM	SIA	6	250	213.0	191.0	55.0
LMK60E0-212M50SIAR	QFM	SIA	6	2500	356.0	356.0	36.0
LMK60E0-212M50SIAT	QFM	SIA	6	250	208.0	191.0	35.0
LMK60E2-100M00SIAR	QFM	SIA	6	2500	356.0	356.0	36.0
LMK60E2-100M00SIAT	QFM	SIA	6	250	208.0	191.0	35.0
LMK60E2-125M00SIAR	QFM	SIA	6	2500	356.0	356.0	36.0
LMK60E2-125M00SIAT	QFM	SIA	6	250	208.0	191.0	35.0
LMK60E2-156M25SIAR	QFM	SIA	6	2500	356.0	356.0	36.0
LMK60E2-156M25SIAT	QFM	SIA	6	250	208.0	191.0	35.0
LMK60I2-100M00SIAR	QFM	SIA	6	2500	356.0	356.0	36.0
LMK60I2-100M00SIAT	QFM	SIA	6	250	208.0	191.0	35.0
LMK60I2-322M26SIAR	QFM	SIA	6	2500	356.0	356.0	36.0
LMK60I2-322M26SIAT	QFM	SIA	6	250	208.0	191.0	35.0

重要声明和免责声明

TI“按原样”提供技术和可靠性数据（包括数据表）、设计资源（包括参考设计）、应用或其他设计建议、网络工具、安全信息和其他资源，不保证没有瑕疵且不做任何明示或暗示的担保，包括但不限于对适销性、某特定用途方面的适用性或不侵犯任何第三方知识产权的暗示担保。

这些资源可供使用 TI 产品进行设计的熟练开发人员使用。您将自行承担以下全部责任：(1) 针对您的应用选择合适的 TI 产品，(2) 设计、验证并测试您的应用，(3) 确保您的应用满足相应标准以及任何其他功能安全、信息安全、监管或其他要求。

这些资源如有变更，恕不另行通知。TI 授权您仅可将这些资源用于研发本资源所述的 TI 产品的应用。严禁对这些资源进行其他复制或展示。您无权使用任何其他 TI 知识产权或任何第三方知识产权。您应全额赔偿因在这些资源的使用中对 TI 及其代表造成的任何索赔、损害、成本、损失和债务，TI 对此概不负责。

TI 提供的产品受 [TI 的销售条款](#) 或 [ti.com](#) 上其他适用条款/TI 产品随附的其他适用条款的约束。TI 提供这些资源并不会扩展或以其他方式更改 TI 针对 TI 产品发布的适用的担保或担保免责声明。

TI 反对并拒绝您可能提出的任何其他或不同的条款。

邮寄地址：Texas Instruments, Post Office Box 655303, Dallas, Texas 75265

Copyright © 2024，德州仪器 (TI) 公司