

## LMC608x 精密 CMOS 双通道运算放大器

### 1 特性

- (典型值, 除非另有说明)
- 低失调电压: 150  $\mu\text{V}$
- 单电源运行: 4.5V 至 15.5V
- 超低输入偏置电流: 10fA
- 输出摆幅为 20mV 电源轨以内, 负载为 2k $\Omega$
- 输入共模范围包括  $V^-$
- 高压增益: 123dB, 2k $\Omega$  负载
- 改善了门锁效应抑制

### 2 应用

- 仪表放大器
- 光电二极管和红外检测器前置放大器
- 传感器放大器
- 医疗仪器
- 数模转换器 (DAC)
- 用于压电式传感器的电荷放大器

### 3 说明

LMC6081、LMC6082 和 LMC6084 (LMC608x) 是精密低失调电压运算放大器, 能够采用单电源供电运行。性能特性包括超低输入偏置电流、高压增益、轨到轨输出摆幅以及输入共模电压范围 (包括接地)。得益于这些特性以及低失调电压, LMC608x 非常适合精密电路应用。

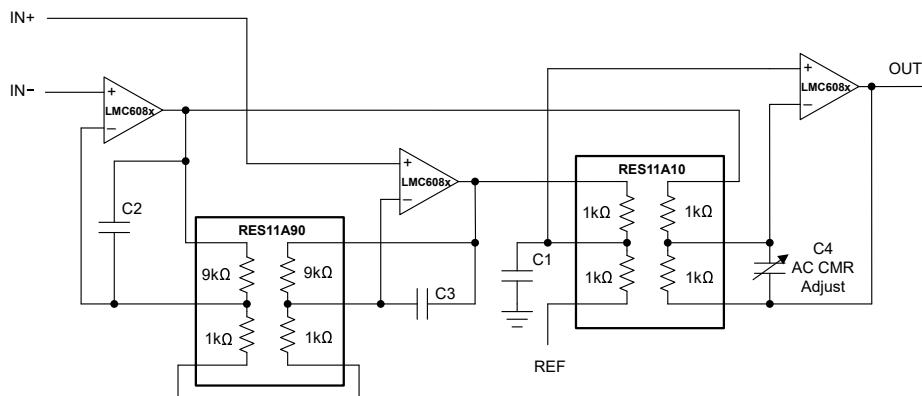
使用 LMC608x 的其他应用包括精密全波整流器、积分器、基准和采样保持电路。

有关具有更严格电源要求的设计, 请参阅 LMC6062 精密双路低功耗运算放大器。

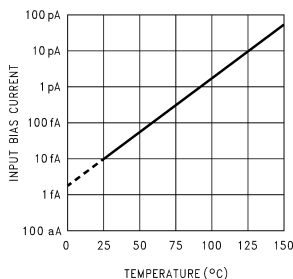
#### 器件信息

器件型号	通道数	封装 <sup>(1)</sup>
LMC6081	单	D (SOIC, 8)
LMC6082	双	D (SOIC, 8)
LMC6084	四通道	D (SOIC, 14)

(1) 如需更多信息, 请参阅节 9。



仪表放大器和 RES11A



输入偏置电流与温度间的关系



## Table of Contents

<b>1 特性</b> .....	<b>1</b>	<b>6 Application and Implementation</b> .....	<b>15</b>
<b>2 应用</b> .....	<b>1</b>	6.1 Application Information.....	15
<b>3 说明</b> .....	<b>1</b>	6.2 Typical Applications.....	17
<b>4 Pin Configuration and Functions</b> .....	<b>3</b>	6.3 Layout.....	19
<b>5 Specifications</b> .....	<b>5</b>	<b>7 Device and Documentation Support</b> .....	<b>21</b>
5.1 Absolute Maximum Ratings.....	5	7.1 接收文档更新通知.....	21
5.2 ESD Ratings.....	5	7.2 支持资源.....	21
5.3 Recommended Operating Conditions.....	5	7.3 Trademarks.....	21
5.4 Thermal Information LMC6081.....	6	7.4 静电放电警告.....	21
5.5 Thermal Information LMC6082.....	6	7.5 术语表.....	21
5.6 Thermal Information LMC6084.....	6	<b>8 Revision History</b> .....	<b>21</b>
5.7 Electrical Characteristics.....	7	<b>9 Mechanical, Packaging, and Orderable Information</b> ..	<b>22</b>
5.8 Typical Characteristics.....	11		

## 4 Pin Configuration and Functions

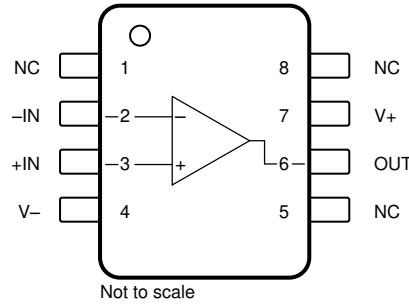


图 4-1. LMC6081 D Package, 8-Pin SOIC, and P Package, 8-Pin PDIP

表 4-1. Pin Functions: LMC6081

PIN		TYPE <sup>(1)</sup>	DESCRIPTION
NAME	NO.		
+IN	3	Input	Noninverting input
- IN	2	Input	Inverting input
NC	1, 5, 8	—	No internal connection (can be left floating)
OUT	6	Output	Output
V+	7	Power	Positive (highest) power supply
V -	4	Power	Negative (lowest) power supply

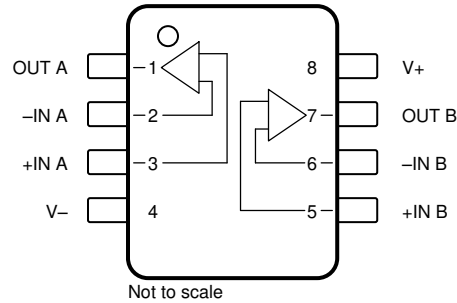


图 4-2. LMC6082 D Package, 8-Pin SOIC, and P Package, 8-Pin PDIP

表 4-2. Pin Functions: LMC6081

PIN		TYPE <sup>(1)</sup>	DESCRIPTION
NAME	NO.		
+IN A	3	Input	Noninverting input, channel A
- IN A	2	Input	Inverting input, channel A
+IN B	5	Input	Noninverting input, channel B
- IN B	6	Input	Inverting input, channel B
OUT A	1	Output	Output, channel A
OUT B	7	Output	Output, channel B
V+	8	Power	Positive (highest) power supply
V -	4	Power	Negative (lowest) power supply

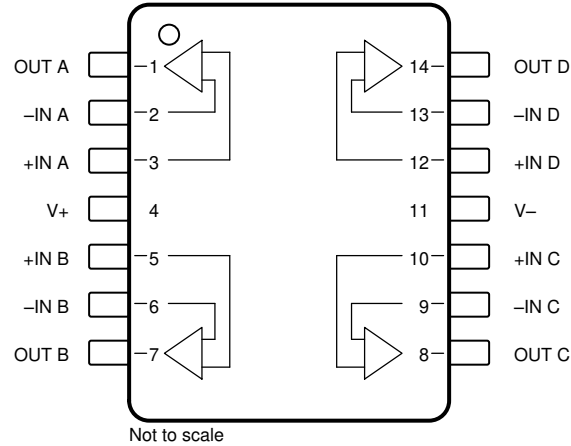


图 4-3. LMC6084 D Package, 8-Pin SOIC, and P Package, 8-Pin PDIP

表 4-3. Pin Functions: LMC6084

PIN		TYPE <sup>(1)</sup>	DESCRIPTION
NAME	NO.		
+IN A	3	Input	Noninverting input, channel A
+IN B	5	Input	Noninverting input, channel B
+IN C	10	Input	Noninverting input, channel C
+IN D	12	Input	Noninverting input, channel D
- IN A	2	Input	Inverting input, channel A
- IN B	6	Input	Inverting input, channel B
- IN C	9	Input	Inverting input, channel C
- IN D	13	Input	Inverting input, channel D
OUT A	1	Output	Output, channel A
OUT B	7	Output	Output, channel B
OUT C	8	Output	Output, channel C
OUT D	14	Output	Output, channel D
V+	4	Power	Positive (highest) power supply
V-	11	Power	Negative (lowest) power supply

## 5 Specifications

### 5.1 Absolute Maximum Ratings

over operating free-air temperature range (unless otherwise noted)<sup>(1) (2)</sup>

		MIN	MAX	UNIT
Differential input voltage range		±Supply voltage		V
Supply voltage, $V_S = (V+) - (V-)$	Single supply	0	16	V
	Dual supply		±8	
Output short circuit	To V+		See <sup>(3)</sup>	mA
	To V-		See <sup>(4)</sup>	
Signal input pins	Voltage	(V-) - 0.3	(V+) + 0.3	V
	Current		±10	mA
Output pin current			±30	mA
Power supply pin current			40	mA
Temperature	Junction, $T_J$		150	°C
	Storage, $T_{stg}$	- 65	150	
Power dissipation			See <sup>(5)</sup>	W

- Stresses beyond those listed under *Absolute Maximum Ratings* may cause permanent damage to the device. These are stress ratings only, which do not imply functional operation of the device at these or any other conditions beyond those indicated under *Recommended Operating Conditions*. Exposure to absolute-maximum-rated conditions for extended periods may affect device reliability.
- If Military/Aerospace specified devices are required, please contact the TI Sales Office/Distributors for availability and specifications.
- Do not connect output to V+, when V+ is greater than 13V or reliability is adversely affected.
- Applies to both single-supply and split-supply operation. Continuous short circuit operation at elevated ambient temperature can result in exceeding the maximum allowed junction temperature of 150°C. Output currents in excess of ±30mA over long term may adversely affect reliability.
- The maximum power dissipation is a function of  $T_{J(Max)}$ ,  $\theta_{JA}$ , and  $T_A$ . The maximum allowable power dissipation at any ambient temperature is  $P_D = (T_{J(Max)} - T_A) / \theta_{JA}$ .

### 5.2 ESD Ratings

			VALUE	UNIT
$V_{(ESD)}$	Electrostatic discharge	Human-body model (HBM), per ANSI/ESDA/JEDEC JS-001 <sup>(1)</sup>	±2000	V

- JEDEC document JEP155 states that 500V HBM allows safe manufacturing with a standard ESD control process.

### 5.3 Recommended Operating Conditions

over operating free-air temperature range (unless otherwise noted)

		MIN	NOM	MAX	UNIT
Supply voltage, $V_S = (V+) - (V-)$	Single supply	4.5		15.5	V
	Dual supply	±2.25		±7.75	
Temperature range, $T_J$		- 40		85	°C
Power dissipation				See <sup>(1)</sup>	

- For operating at elevated temperatures, the device must be derated based on the thermal resistance  $\theta_{JA}$  with  $P_D = (T_J - T_A) / \theta_{JA}$ . All numbers apply for packages soldered directly into a printed circuit board.

### 5.4 Thermal Information LMC6081

THERMAL METRIC <sup>(1)</sup>		LMC6081		UNIT
		D (SOIC)	P (PDIP)	
		8 PINS	8 PINS	
$R_{\theta JA}$	Junction-to-ambient thermal resistance	193	115	°C/W

(1) For more information about traditional and new thermal metrics, see the [Semiconductor and IC Package Thermal Metrics](#) application report.

### 5.5 Thermal Information LMC6082

THERMAL METRIC <sup>(1)</sup>		LMC6082		UNIT
		D (SOIC)	P (PDIP)	
		8 PINS	8 PINS	
$R_{\theta JA}$	Junction-to-ambient thermal resistance	193	115	°C/W

(1) For more information about traditional and new thermal metrics, see the [Semiconductor and IC Package Thermal Metrics](#) application report.

### 5.6 Thermal Information LMC6084

THERMAL METRIC <sup>(1)</sup>		LMC6084		UNIT
		D (SOIC)	P (PDIP)	
		14 PINS	14 PINS	
$R_{\theta JA}$	Junction-to-ambient thermal resistance	126	81	°C/W

(1) For more information about traditional and new thermal metrics, see the [Semiconductor and IC Package Thermal Metrics](#) application report.

## 5.7 Electrical Characteristics

at  $T_A = 25^\circ\text{C}$ ,  $V_S = 5\text{V}$  ( $V_- = 0\text{V}$ ),  $V_{CM} = 1.5\text{V}$ ,  $V_{OUT} = V_S / 2$ , and  $R_L = 1\text{M}\Omega$  connected to  $V_S / 2$  (unless otherwise noted)

PARAMETER		TEST CONDITIONS		MIN	TYP	MAX	UNIT
<b>OFFSET VOLTAGE</b>							
$V_{OS}$	Input offset voltage	LMC608xAI			$\pm 150$	$\pm 350$	$\mu\text{V}$
			$T_A = -40^\circ\text{C to } +85^\circ\text{C}$			$\pm 800$	
		LMC608xI			$\pm 150$	$\pm 800$	
			$T_A = -40^\circ\text{C to } +85^\circ\text{C}$			$\pm 1300$	
$dV_{OS}/dT$	Input offset voltage drift	$T_A = -40^\circ\text{C to } +85^\circ\text{C}$			1		$\mu\text{V}/^\circ\text{C}$
PSRR	Power-supply rejection ratio	Positive $5\text{V} \leq V_{CM} \leq 15\text{V}$	LMC608xAI	75	85		dB
			LMC608xAI $T_A = -40^\circ\text{C to } +85^\circ\text{C}$	72			
			LMC608xI	66	85		
			LMC608xI $T_A = -40^\circ\text{C to } +85^\circ\text{C}$	63			
		Negative $-10\text{V} \leq V_{CM} \leq 0\text{V}$	LMC608xAI	84	94		
			LMC608xAI $T_A = -40^\circ\text{C to } +85^\circ\text{C}$	81			
			LMC608xI	74	94		
			LMC608xI $T_A = -40^\circ\text{C to } +85^\circ\text{C}$	71			
<b>INPUT BIAS CURRENT</b>							
$I_B$	Input bias current				$\pm 10$		fA
		$T_A = -40^\circ\text{C to } +85^\circ\text{C}$				$\pm 4$	pA
$I_{OS}$	Input offset current				$\pm 5$		fA
		$T_A = -40^\circ\text{C to } +85^\circ\text{C}$				$\pm 2$	pA
<b>NOISE</b>							
$e_n$	Input voltage noise density	f = 1kHz			22		$\text{nV}/\sqrt{\text{Hz}}$
$i_n$	Input current noise density	f = 1kHz			4		$\text{fA}/\sqrt{\text{Hz}}$
THD	Total harmonic distortion	f = 10kHz, G = -10V/V, $R_L = 2\text{k}\Omega$ , $V_{OUT} = 8V_{pp}$ , $V_S = \pm 5\text{V}$			0.2		%
<b>INPUT VOLTAGE</b>							
$V_{CM}$	Common-mode voltage range	To positive rail $5\text{V} \leq V_S \leq 15\text{V}$ , CMRR > 60dB			$(V_+) - 1.9$	$(V_+) - 2.3$	V
			$T_A = -40^\circ\text{C to } +85^\circ\text{C}$			$(V_+) - 2.5$	
		To negative rail $5\text{V} \leq V_S \leq 15\text{V}$ , CMRR > 60dB			$(V_-) - 0.1$	$(V_-) - 0.4$	
			$T_A = -40^\circ\text{C to } +85^\circ\text{C}$			$(V_-)$	
CMRR	Common-mode rejection ratio	$V_S = 15\text{V}$ , $0\text{V} < V_{CM} < 12\text{V}$	LMC608xAI	75	85		dB
			LMC608xAI, $T_A = -40^\circ\text{C to } +85^\circ\text{C}$	72			
			LMC608xI	66	85		
			LMC608xI, $T_A = -40^\circ\text{C to } +85^\circ\text{C}$	63			
<b>INPUT IMPEDANCE</b>							
$R_{IN}$	Input resistance				10		$\text{T}\Omega$

## 5.7 Electrical Characteristics (续)

at  $T_A = 25^\circ\text{C}$ ,  $V_S = 5\text{V}$  ( $V_- = 0\text{V}$ ),  $V_{CM} = 1.5\text{V}$ ,  $V_{OUT} = V_S / 2$ , and  $R_L = 1\text{M}\Omega$  connected to  $V_S / 2$  (unless otherwise noted)

PARAMETER		TEST CONDITIONS		MIN	TYP	MAX	UNIT
<b>OPEN-LOOP GAIN</b>							
$A_{OL}$	Open-loop voltage gain	Sourcing, $V_S = 15\text{V}$ , $V_{CM} = 7.5\text{V}$ , $7.5\text{V} < V_O < 11.5\text{V}$ , $R_L = 2\text{k}\Omega$	LMC608xAI	400	1400		V/mV
			LMC608xAI, $T_A = -40^\circ\text{C}$ to $+85^\circ\text{C}$	300			
			LMC608xI	300	1400		
			LMC608xI, $T_A = -40^\circ\text{C}$ to $+85^\circ\text{C}$	200			
			LMC608xAI	180	350		
			LMC608xAI, $T_A = -40^\circ\text{C}$ to $+85^\circ\text{C}$	100			
			LMC608xI	90	350		
			LMC608xI, $T_A = -40^\circ\text{C}$ to $+85^\circ\text{C}$	60			
		Sinking, $V_S = 15\text{V}$ , $V_{CM} = 7.5\text{V}$ , $2.5\text{V} < V_O < 7.5\text{V}$ , $R_L = 2\text{k}\Omega$	LMC608xAI	400	1200		
			LMC608xAI, $T_A = -40^\circ\text{C}$ to $+85^\circ\text{C}$	150			
			LMC608xI	200	1200		
			LMC608xI, $T_A = -40^\circ\text{C}$ to $+85^\circ\text{C}$	80			
			LMC608xAI	100	150		
			LMC608xAI, $T_A = -40^\circ\text{C}$ to $+85^\circ\text{C}$	50			
			LMC608xI	70	150		
			LMC608xI, $T_A = -40^\circ\text{C}$ to $+85^\circ\text{C}$	35			
<b>FREQUENCY RESPONSE</b>							
GBW	Gain bandwidth product				1.3		MHz
SR	Slew rate <sup>(2)</sup>	$V_S = 15\text{V}$ , 10V step		0.8	1.5		V/ $\mu\text{s}$
			$T_A = -40^\circ\text{C}$ to $+85^\circ\text{C}$	0.6			
$\theta_m$	Phase margin				50		$^\circ$
	Crosstalk	Dual and quad channel, $V_S = 15\text{V}$ , $R_L = 100\text{k}\Omega$ to $7.5\text{V}$ , $f = 1\text{kHz}$ , $V_{OUT} = 12V_{pp}$			140		dB



### 5.7 Electrical Characteristics (续)

at  $T_A = 25^\circ\text{C}$ ,  $V_S = 5\text{V}$  ( $V_- = 0\text{V}$ ),  $V_{\text{CM}} = 1.5\text{V}$ ,  $V_{\text{OUT}} = V_S / 2$ , and  $R_L = 1\text{M}\Omega$  connected to  $V_S / 2$  (unless otherwise noted)

PARAMETER	TEST CONDITIONS	MIN	TYP	MAX	UNIT		
<b>OUTPUT</b>							
$V_O$	Voltage output swing	Positive rail $V_S = 5\text{V}$ , $R_L = 2\text{k}\Omega$	LMC608xAI	4.80	4.87	V	
			LMC608xAI, $T_A = -40^\circ\text{C}$ to $+85^\circ\text{C}$	4.73			
			LMC608xI	4.75	4.87		
			LMC608xI, $T_A = -40^\circ\text{C}$ to $+85^\circ\text{C}$	4.67			
		Negative rail $V_S = 5\text{V}$ , $R_L = 2\text{k}\Omega$	LMC608xAI		0.10		0.13
			LMC608xAI, $T_A = -40^\circ\text{C}$ to $+85^\circ\text{C}$				0.17
			LMC608xI		0.10		0.20
			LMC608xI, $T_A = -40^\circ\text{C}$ to $+85^\circ\text{C}$				0.24
		Positive rail $V_S = 5\text{V}$ , $R_L = 600\Omega$	LMC608xAI	4.50	4.61		
			LMC608xAI, $T_A = -40^\circ\text{C}$ to $+85^\circ\text{C}$	4.31			
			LMC608xI	4.50	4.61		
			LMC608xI, $T_A = -40^\circ\text{C}$ to $+85^\circ\text{C}$	4.21			
		Negative rail $V_S = 5\text{V}$ , $R_L = 600\Omega$	LMC608xAI		0.30		0.40
			LMC608xAI, $T_A = -40^\circ\text{C}$ to $+85^\circ\text{C}$				0.50
			LMC608xI		0.30		0.50
			LMC608xI, $T_A = -40^\circ\text{C}$ to $+85^\circ\text{C}$				0.63
		Positive rail $V_S = 15\text{V}$ , $R_L = 2\text{k}\Omega$	LMC608xAI	14.50	14.63		
			LMC608xAI, $T_A = -40^\circ\text{C}$ to $+85^\circ\text{C}$	14.34			
			LMC608xI	14.37	14.63		
			LMC608xI, $T_A = -40^\circ\text{C}$ to $+85^\circ\text{C}$	14.25			
		Negative rail $V_S = 15\text{V}$ , $R_L = 2\text{k}\Omega$	LMC608xAI		0.26		0.35
			LMC608xAI, $T_A = -40^\circ\text{C}$ to $+85^\circ\text{C}$				0.45
			LMC608xI		0.26		0.44
			LMC608xI, $T_A = -40^\circ\text{C}$ to $+85^\circ\text{C}$				0.56
		Positive rail $V_S = 15\text{V}$ , $R_L = 600\Omega$	LMC608xAI	13.35	13.90		
			LMC608xAI, $T_A = -40^\circ\text{C}$ to $+85^\circ\text{C}$	12.86			
			LMC608xI	14.37	13.90		
			LMC608xI, $T_A = -40^\circ\text{C}$ to $+85^\circ\text{C}$	14.25			
		Negative rail $V_S = 15\text{V}$ , $R_L = 600\Omega$	LMC608xAI		0.79		1.16
			LMC608xAI, $T_A = -40^\circ\text{C}$ to $+85^\circ\text{C}$				1.32
			LMC608xI		0.79		1.33
			LMC608xI, $T_A = -40^\circ\text{C}$ to $+85^\circ\text{C}$				1.58

### 5.7 Electrical Characteristics (续)

at  $T_A = 25^\circ\text{C}$ ,  $V_S = 5\text{V}$  ( $V_- = 0\text{V}$ ),  $V_{CM} = 1.5\text{V}$ ,  $V_{OUT} = V_S / 2$ , and  $R_L = 1\text{M}\Omega$  connected to  $V_S / 2$  (unless otherwise noted)

PARAMETER		TEST CONDITIONS		MIN	TYP	MAX	UNIT	
$I_{SC}$	Short-circuit current	Sourcing $V_S = 5\text{V}$ , $V_{OUT} = 0\text{V}$	LMC608xAI	16	22		mA	
			LMC608xAI, $T_A = -40^\circ\text{C}$ to $+85^\circ\text{C}$	10				
			LMC608xI	13	22			
			LMC608xI, $T_A = -40^\circ\text{C}$ to $+85^\circ\text{C}$	8				
		Sinking $V_S = 5\text{V}$ , $V_{OUT} = 5\text{V}$	LMC608xAI	16	21			
			LMC608xAI, $T_A = -40^\circ\text{C}$ to $+85^\circ\text{C}$	13				
			LMC608xI	13	21			
			LMC608xI, $T_A = -40^\circ\text{C}$ to $+85^\circ\text{C}$	10				
		Sourcing $V_S = 15\text{V}$ , $V_{OUT} = 0\text{V}$	LMC608xAI	28	30			
			LMC608xAI, $T_A = -40^\circ\text{C}$ to $+85^\circ\text{C}$	22				
			LMC608xI	23	30			
			LMC608xI, $T_A = -40^\circ\text{C}$ to $+85^\circ\text{C}$	18				
		Sinking $V_S = 15\text{V}$ , $V_{OUT} = 13\text{V}^{(1)}$	LMC608xAI	28	34			
			LMC608xAI, $T_A = -40^\circ\text{C}$ to $+85^\circ\text{C}$	22				
			LMC608xI	23	34			
			LMC608xI, $T_A = -40^\circ\text{C}$ to $+85^\circ\text{C}$	18				
<b>POWER SUPPLY</b>								
$I_Q$	Quiescent current per amplifier	$V_{OUT} = 1.5\text{V}$ , $V_S = 5\text{V}$			0.45	0.75	mA	
			$T_A = -40^\circ\text{C}$ to $+85^\circ\text{C}$					0.9
		$V_{OUT} = 7.5\text{V}$ , $V_S = 15\text{V}$ LMC6082, LMC6084			0.55	0.85		
			$T_A = -40^\circ\text{C}$ to $+85^\circ\text{C}$					1
		$V_{OUT} = 7.5\text{V}$ , $V_S = 15\text{V}$ LMC6081			0.55	0.85		
			$T_A = -40^\circ\text{C}$ to $+85^\circ\text{C}$					0.95

- (1) Do not connect output to  $V_+$ , when  $V_+$  is greater than 13V or reliability is adversely affected.
- (2) Specification limit established from device population bench system measurements across multiple lots. Number specified is the slower of the positive and negative slew rates.

## 5.8 Typical Characteristics

at  $T_A = 25^\circ\text{C}$ ,  $V_S = \pm 7.5\text{V}$ ,  $V_{OUT} = \text{mid-supply}$ , and  $R_L \geq 1\text{M}\Omega$  (unless otherwise specified)

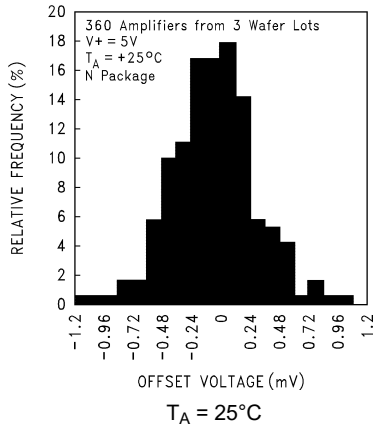


图 5-1. Distribution of LMC6082 Input Offset Voltage

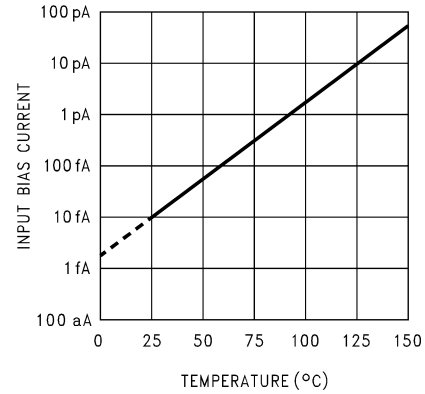


图 5-2. Input Bias Current vs Temperature

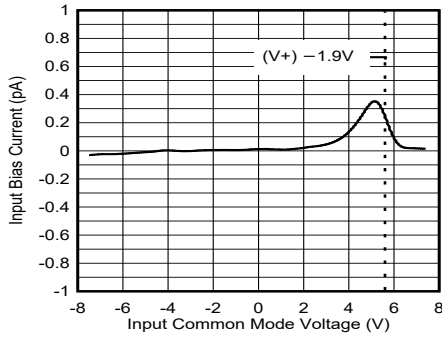


图 5-3. Input Bias Current vs Common-Mode Voltage

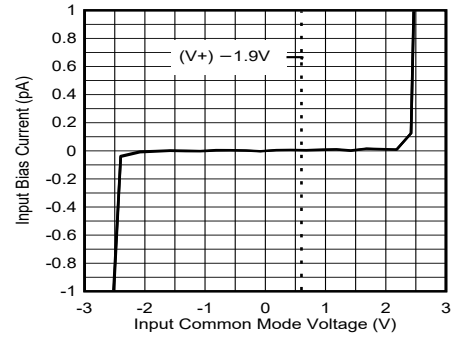


图 5-4. Input Bias Current vs Common-Mode Voltage

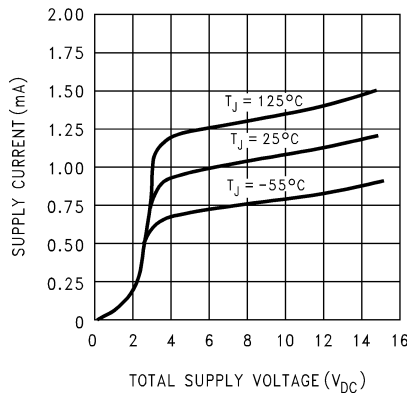


图 5-5. Supply Current vs Supply Voltage

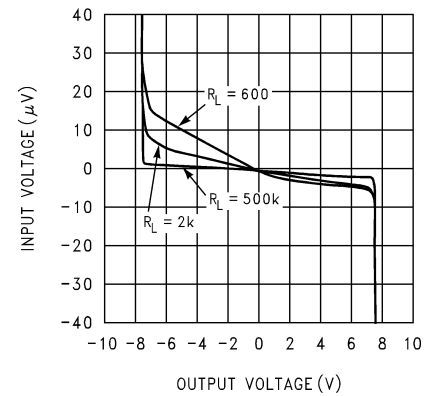


图 5-6. Input Voltage vs Output Voltage

### 5.8 Typical Characteristics (continued)

at  $T_A = 25^\circ\text{C}$ ,  $V_S = \pm 7.5\text{V}$ ,  $V_{OUT} = \text{mid-supply}$ , and  $R_L \geq 1\text{M}\Omega$  (unless otherwise specified)

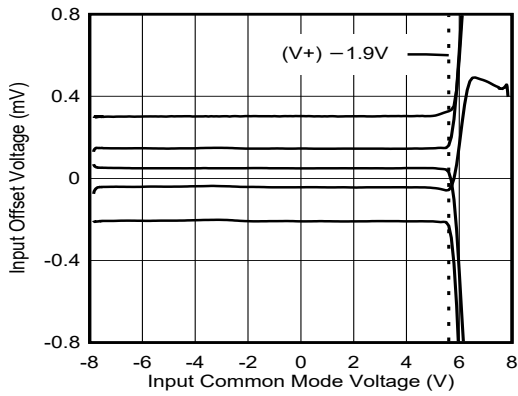


图 5-7. Input Offset Voltage vs Common Mode Voltage

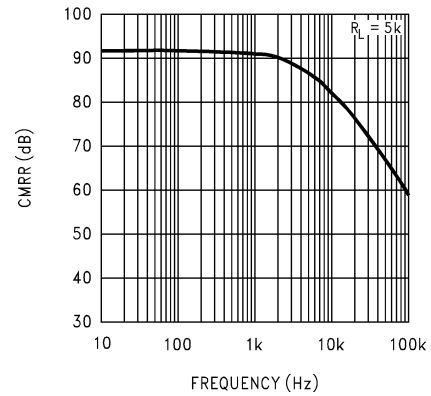


图 5-8. Common Mode Rejection Ratio vs Frequency

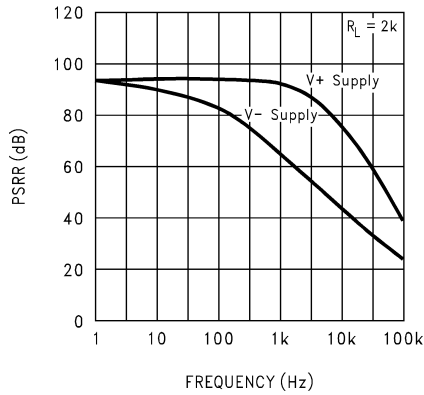


图 5-9. Power Supply Rejection Ratio vs Frequency

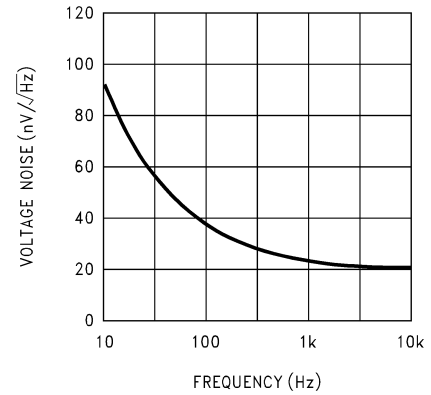


图 5-10. Input Voltage Noise vs Frequency

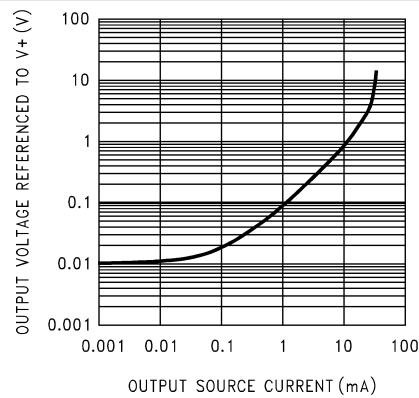


图 5-11. Output Characteristics Sourcing Current

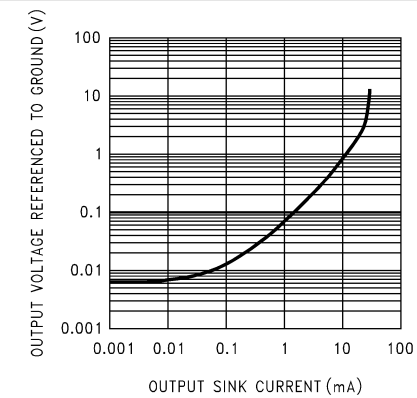


图 5-12. Output Characteristics Sinking Current

### 5.8 Typical Characteristics (continued)

at  $T_A = 25^\circ\text{C}$ ,  $V_S = \pm 7.5\text{V}$ ,  $V_{OUT} = \text{mid-supply}$ , and  $R_L \geq 1\text{M}\Omega$  (unless otherwise specified)

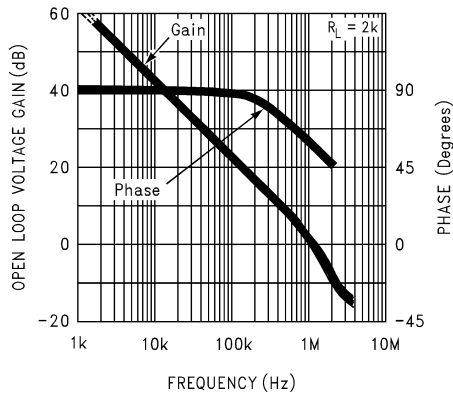


图 5-13. Gain and Phase Response vs Temperature

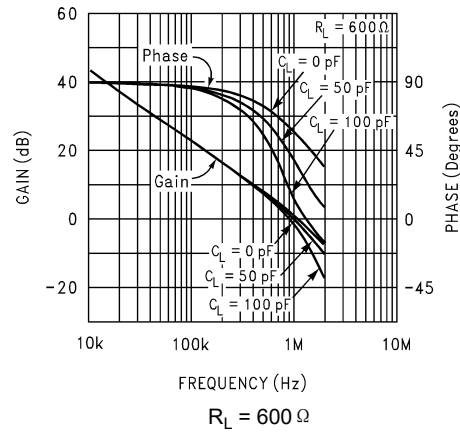


图 5-14. Gain and Phase Response vs Capacitive Load

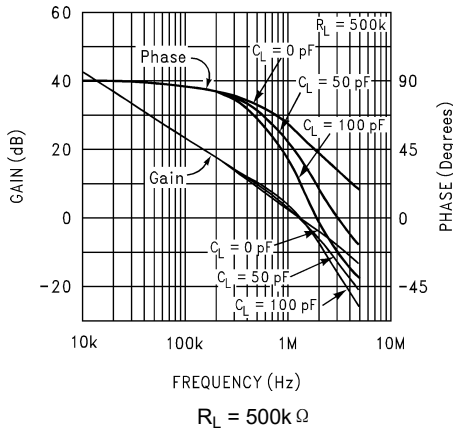


图 5-15. Gain and Phase Response vs Capacitive Load

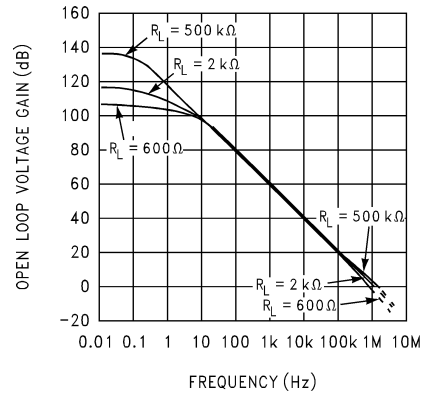


图 5-16. Open-Loop Frequency Response

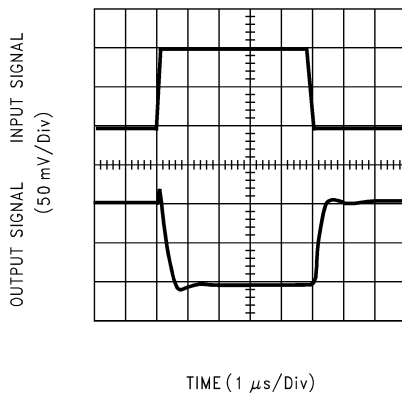


图 5-17. Inverting Small-Signal Pulse Response

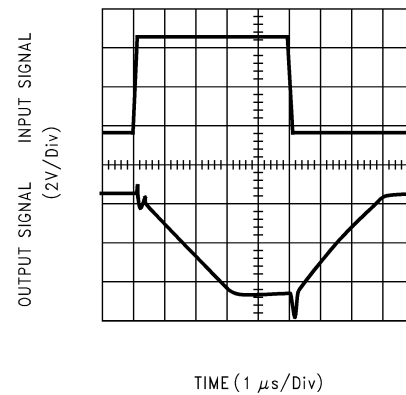
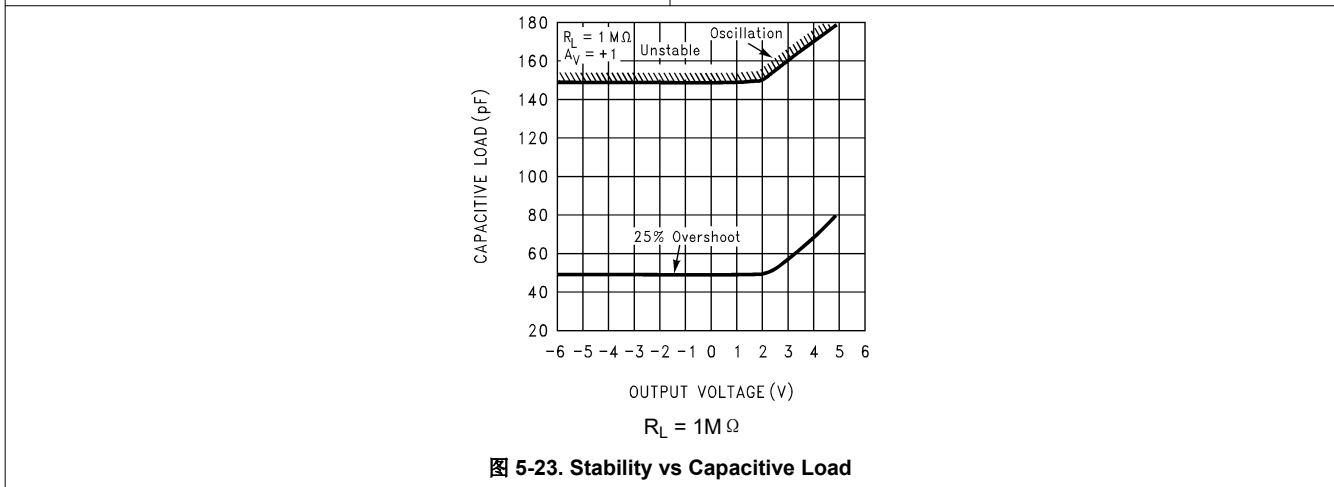
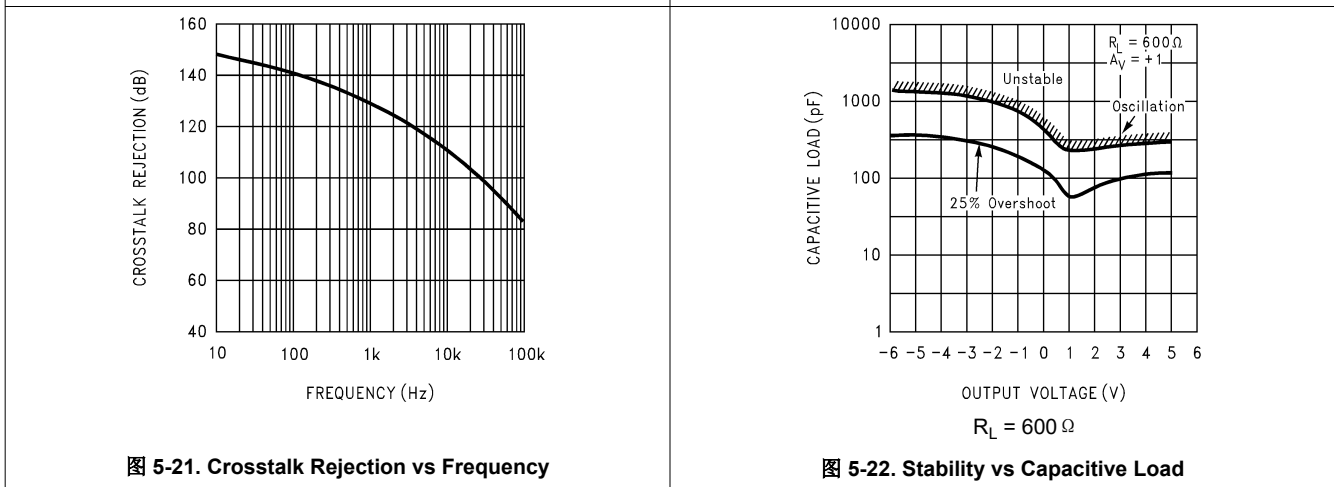
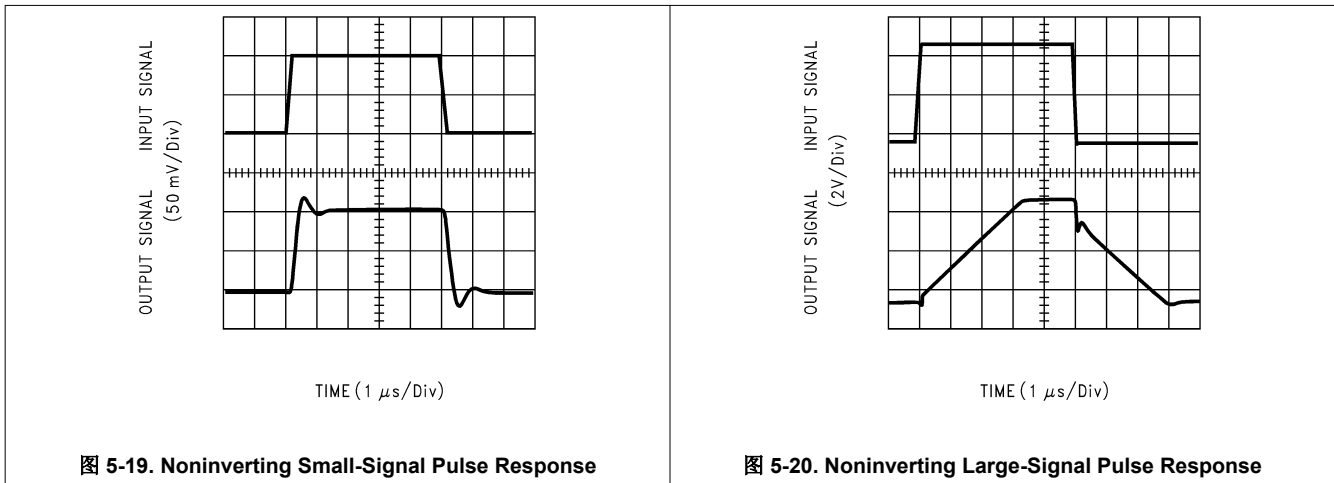


图 5-18. Inverting Large-Signal Pulse Response

### 5.8 Typical Characteristics (continued)

at  $T_A = 25^\circ\text{C}$ ,  $V_S = \pm 7.5\text{V}$ ,  $V_{OUT} = \text{mid-supply}$ , and  $R_L \geq 1\text{M}\Omega$  (unless otherwise specified)



## 6 Application and Implementation

### 备注

以下应用部分中的信息不属于 TI 器件规格的范围，TI 不担保其准确性和完整性。TI 的客户应负责确定器件是否适用于其应用。客户应验证并测试其设计，以确保系统功能。

### 6.1 Application Information

#### 6.1.1 Amplifier Topology

The LMC608x incorporate a novel op amp design topology that enables rail to rail output swing even when driving a large load. The topology provides both low output impedance and large gain. Special compensation design techniques are incorporated to maintain stability over a wider range of operating conditions than traditional micropower op amps. These features make the LMC608x both easier to design with, and provide higher speed than products typically found in this ultra-low power class. The LMC608x provide a wide input common-mode voltage range extending to the negative supply. In the presence of large input common-mode voltages, input bias current performance can be degraded. Large common-mode voltages are uncommon in very low leakage designs.

#### 6.1.2 Compensating for Input Capacitance

The use of large value feedback resistors is quite common for amplifiers with ultra-low input current, like the LMC608x.

Although the LMC608x are highly stable over a wide range of operating conditions, certain precautions must be met to achieve the desired pulse response when a large feedback resistor is used. Large feedback resistors and even small values of input capacitance, due to transducers, photodiodes, and circuit board parasitics, reduce phase margins.

When a high input impedance is demanded, guarding of the LMC608x is suggested. Guarding input lines not only reduces leakage, but lowers stray input capacitance as well. (See [Printed-Circuit-Board Layout for High Impedance Work](#))

The effect of input capacitance can be compensated for by adding a capacitor,  $C_f$ , around the feedback resistors (as in [图 6-1](#)) such that:

$$\frac{1}{2\pi R_1 C_{IN}} \geq \frac{1}{2\pi R_2 C_f} \quad (1)$$

or

$$R_1 C_{IN} \leq R_2 C_f \quad (2)$$

The exact value of  $C_{IN}$  can be difficult to find, so  $C_f$  can be experimentally adjusted so that the desired pulse response is achieved. Refer to the [LMC66x](#) for a more detailed discussion on compensating for input capacitance.

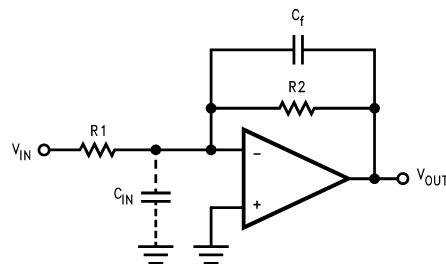
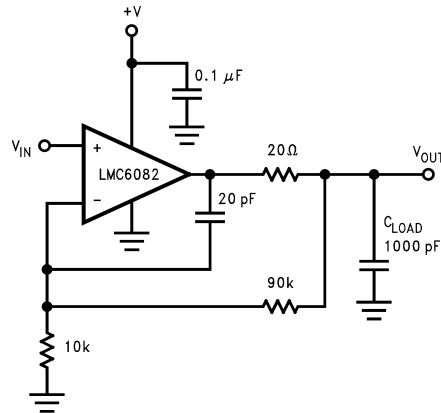


图 6-1. Canceling the Effect of Input Capacitance

### 6.1.3 Capacitive Load Tolerance

All rail-to-rail output swing op amps have voltage gain in the output stage. A compensation capacitor is normally included in this integrator stage. The frequency location of the dominant pole is affected by the resistive load on the amplifier. Capacitive load driving capability can be optimized by using an appropriate resistive load in parallel with the capacitive load (see [节 5.8](#)).

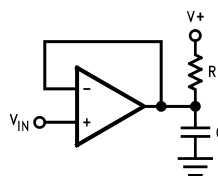
Direct capacitive loading reduces the phase margin of many op amps. A pole in the feedback loop is created by the combination of the op amp output impedance and the capacitive load. This pole induces phase lag at the unity-gain crossover frequency of the amplifier resulting in either an oscillatory or underdamped pulse response. With a few external components, op amps can easily indirectly drive capacitive loads, as shown in [图 6-2](#).



**图 6-2. LMC6082 Noninverting Gain of 10 Amplifier, Compensated to Handle Capacitive Loads**

In the circuit of [图 6-2](#), R1 and C1 serve to counteract the loss of phase margin by feeding the high frequency component of the output signal back to the amplifier inverting input, thereby preserving phase margin in the overall feedback loop.

Capacitive load driving capability is enhanced by using a pull up resistor to  $V^+$  [图 6-3](#). Typically a pull up resistor conducting 500  $\mu$ A or more significantly improves capacitive load responses. The value of the pull up resistor must be determined based on the current sinking capability of the amplifier with respect to the desired output swing. Open loop gain of the amplifier can also be affected by the pullup resistor (see [节 5.7](#)).



**图 6-3. Compensating for Large Capacitive Loads With a Pullup Resistor**

### 6.1.4 Latch-Up

CMOS devices tend to be susceptible to latch-up as a result of the internal, parasitic, silicon-controlled rectifier (SCR) effects. The input and output (I/O) pins look similar to the gate of the SCR. A minimum current is required to trigger the SCR gate lead. Use some resistive method to isolate any capacitance from supplying excess current to the I/O pins. In addition, like an SCR, there is a minimum holding current for any latch-up mode. Limiting current to the supply pins also inhibits latch-up susceptibility.

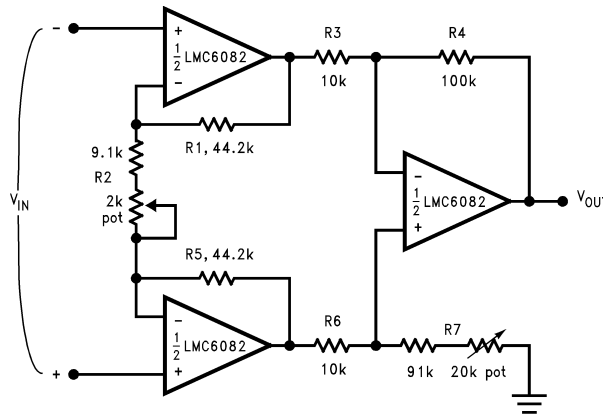


## 6.2 Typical Applications

### 6.2.1 Typical Single-Supply Applications

The extremely high input impedance, and low power consumption, make the LMC608x an excellent choice for applications that require battery-powered operation. Examples of these types of applications are hand-held pH probes, analytic medical instruments, magnetic field detectors, gas detectors, and silicon based pressure transducers.

图 6-4 shows an instrumentation amplifier that features high differential and common mode input resistance ( $> 10^{14} \Omega$ ), 0.01% gain accuracy at  $A_V = 1000$ , excellent CMRR with  $1k \Omega$  imbalance in bridge source resistance. Input current is less than 100fA and offset drift is less than  $2.5 \mu V/^\circ C$ .  $R_2$  provides a simple means of adjusting gain over a wide range without degrading CMRR.  $R_7$  is an initial trim used to maximize CMRR without using super precision matched resistors. For good CMRR over temperature, use low drift resistors like the RES11A. An example of an instrumentation amplifier with the LMC608x is provided in the next section.



If  $R_1 = R_5$ ,  $R_3 = R_6$ , and  $R_4 = R_7$ ; then

$$\frac{V_{OUT}}{V_{IN}} = \frac{R_2 + 2R_1}{R_2} \times \frac{R_4}{R_3} \quad (3)$$

$A_V \approx 100$  for circuit shown ( $R_2 = 9.822k \Omega$ ).

图 6-4. Instrumentation Amplifier

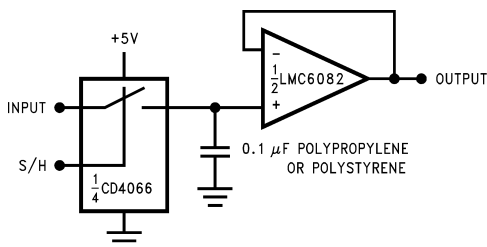


图 6-5. Low Leakage Sample and Hold

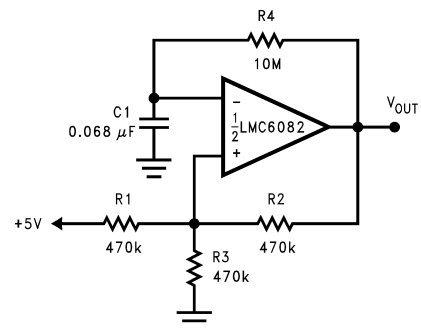


图 6-6. 1Hz Square-Wave Oscillator

## 6.2.2 Instrumentation Amplifier

The measurement of differential signals is quite common across many applications and are especially prevalent in biopotential sensors, for example electrocardiograms. Biopotential sensors can often be high impedance and require low input bias and current noise. Instrumentation amplifiers, introduced in the previous section, are commonly used to condition differential signals from biopotential sensors. The LMC608x are a great choice in particular due to the extremely low input bias current and current noise, high common-mode rejection ratio (CMRR) and low power. A high performance instrumentation amplifier can be achieved by using the LMC608x and a pair of RES11A matched resistors.

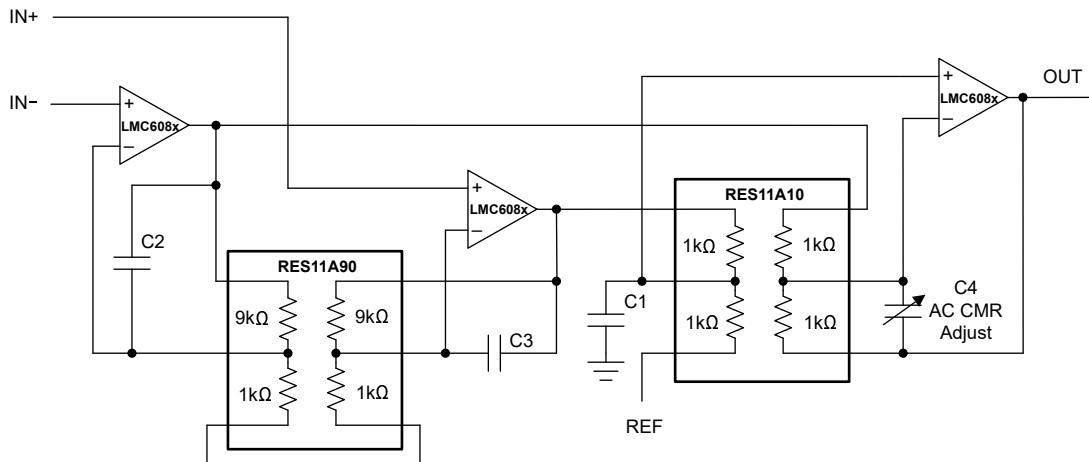


图 6-7. Instrumentation Amplifier With the RES11A

图 6-7 shows an instrumentation amplifier design with a gain of 10V/V. The first RES11A is used to set the gain of the amplifier. In this case, a ratio of 1:9 is used to create a gain of 10V/V, but many different gain configurations are possible. The second RES11A is used to build a high CMRR, low drift, unity gain difference amplifier. This design provides a precision, differential-to-single ended amplifier with very high input impedance. A smaller, lower power design, a two op amp instrumentation amplifier, is possible using the dual channel LMC6082 and only one RES11A matched pair at the expense of higher CMRR.

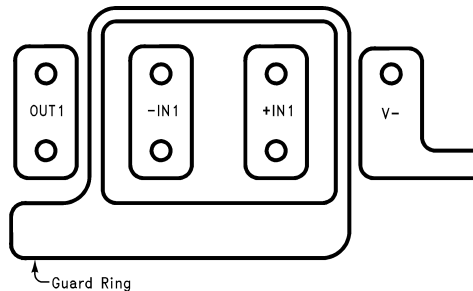
## 6.3 Layout

### 6.3.1 Layout Guidelines

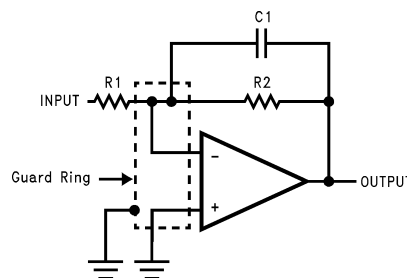
#### 6.3.1.1 Printed Circuit Board Layout for High-Impedance Work

Generally, any circuit that operates with less than 1000pA of leakage current requires special layout of the printed circuit board (PCB). To take advantage of the ultra-low bias current of the LMC608x, typically less than 10fA, an excellent layout is crucial. Fortunately, the techniques of obtaining low leakages are quite simple. First, do not ignore the surface leakage of the PCB, even though the leakage can sometimes appear acceptably low, because under conditions of high humidity or dust or contamination, the surface leakage can be appreciable.

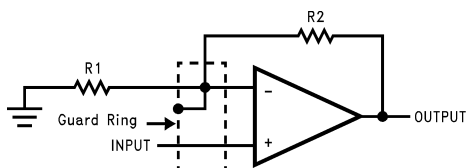
To minimize the effect of any surface leakage, lay out a ring of foil completely surrounding the LMC608x inputs and the terminals of capacitors, diodes, conductors, resistors, relay terminals, and so on, connected to the op amp inputs, as in [图 6-8](#). To have a significant effect, place guard rings on both the top and bottom of the PCB. This PCB foil must then be connected to a voltage that is at the same voltage as the amplifier inputs because no leakage current can flow between two points at the same potential. For example, a PCB trace-to-pad resistance of  $10^{12} \Omega$ , which is normally considered a very large resistance, can leak 5pA if the trace were a 5V bus adjacent to the pad of the input. This leakage causes a 100 times degradation from the LMC608x actual performance. However, if a guard ring is held within 5mV of the inputs, then even a resistance of  $10^{11} \Omega$  causes only 0.05pA of leakage current. See [图 6-9](#) to [图 6-11](#) for typical connections of guard rings for standard op amp configurations.



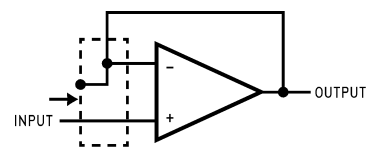
**图 6-8. Example of Guard Ring in Printed Circuit Board Layout**



**图 6-9. Typical Connections of Guard Rings: Inverting Amplifier**



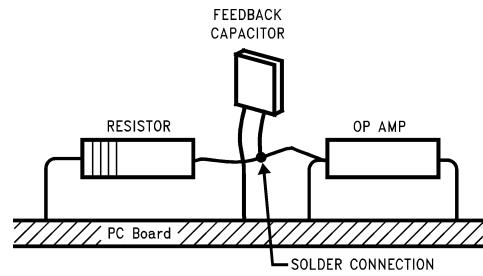
**图 6-10. Typical Connections of Guard Rings: Noninverting Amplifier**



**图 6-11. Typical Connections of Guard Rings: Follower**

Be aware that when laying out a PCB for the sake of just a few circuits is inappropriate, there is another technique that is even better than a guard ring on a PCB. Do not insert the amplifier input pin into the board at

all; instead, bend the pin up in the air and use only air as an insulator because air is an excellent insulator. In this case, some of the advantages of PCB construction are lost, but the advantages of air are sometimes well worth the effort of using point-to-point up-in-the-air wiring. See [图 6-12](#).



### 备注

Input pins are lifted out of PCB and soldered directly to components. All other pins are connected to PCB.

图 6-12. Air wiring

## 7 Device and Documentation Support

TI offers an extensive line of development tools. Tools and software to evaluate the performance of the device, generate code, and develop solutions are listed below.

### 7.1 接收文档更新通知

要接收文档更新通知，请导航至 [ti.com](http://ti.com) 上的器件产品文件夹。点击 [通知](#) 进行注册，即可每周接收产品信息更改摘要。有关更改的详细信息，请查看任何已修订文档中包含的修订历史记录。

### 7.2 支持资源

TI E2E™ [中文支持论坛](#) 是工程师的重要参考资料，可直接从专家处获得快速、经过验证的解答和设计帮助。搜索现有解答或提出自己的问题，获得所需的快速设计帮助。

链接的内容由各个贡献者“按原样”提供。这些内容并不构成 TI 技术规范，并且不一定反映 TI 的观点；请参阅 TI 的 [使用条款](#)。

### 7.3 Trademarks

TI E2E™ is a trademark of Texas Instruments.

所有商标均为其各自所有者的财产。

### 7.4 静电放电警告



静电放电 (ESD) 会损坏这个集成电路。德州仪器 (TI) 建议通过适当的预防措施处理所有集成电路。如果不遵守正确的处理和安装程序，可能会损坏集成电路。

ESD 的损坏小至导致微小的性能降级，大至整个器件故障。精密的集成电路可能更容易受到损坏，这是因为非常细微的参数更改都可能会导致器件与其发布的规格不相符。

### 7.5 术语表

[TI 术语表](#) 本术语表列出并解释了术语、首字母缩略词和定义。

## 8 Revision History

注：以前版本的页码可能与当前版本的页码不同

Changes from Revision D (March 2013) to Revision E (February 2024)	Page
• 添加了 LMC6081 和 LMC6084 器件及相关内容.....	1
• 将 <i>特性</i> 中的输出摆幅负载条件从 100kΩ 更改为 2kΩ，将单电源工作电压从 15V 更改为 15.5V 并将高压增益从 130dB 更改为 123dB，以匹配 <i>电气特性</i> .....	1
• 更新了 <i>说明</i> 中的器件描述.....	1
• Added <i>Pin Configurations and Functions</i> .....	3
• Added <i>Thermal Information</i> .....	6
• Changed separate DC and AC <i>Electrical Characteristics</i> into single <i>Electrical Characteristics</i> .....	7
• Changed parameter names to conform to latest data sheet standards in <i>Electrical Characteristics</i> .....	7
• Changed input current noise density specification from 0.2fA/√Hz to 4fA/√Hz in <i>Electrical Characteristics</i> ..	7
• Changed total harmonic distortion specification from 0.01% to 0.2% in <i>Electrical Characteristics</i> .....	7
• Added footnote detailing how slew rate minimum specification is specified in <i>Electrical Characteristics</i> .....	7
• Added offset voltage vs input common mode voltage and input bias vs common mode voltage curves in <i>Typical Characteristics</i> .....	11
• Added R <sub>L</sub> , V <sub>CM</sub> , and V <sub>OUT</sub> conditions to the <i>Typical Characteristics</i> header.....	11
• Deleted Figure 4 and Figure 5 from <i>Typical Characteristics</i> .....	11
• Updated description in <i>Amplifier Topology</i> .....	15
• Added reference to RES11A instrumentation amplifier circuit in <i>Typical Single-Supply Applications</i> .....	17

- Added *Instrumentation Amplifier* section..... 18

**Changes from Revision C (March 2013) to Revision D (March 2013) Page**

- 添加了引脚配置和功能、规格、绝对最大额定值、ESD 等级、建议运行条件、热性能信息、电气特性、典型特性、详细说明、概述、功能方框图、特性描述、器件功能模式、应用和实施、典型应用、电源相关建议、布局、布局指南、布局示例、器件和文档支持以及机械、封装和可订购信息部分..... 1
- Changed layout of National Data Sheet to TI format..... 17

**9 Mechanical, Packaging, and Orderable Information**

The following pages include mechanical, packaging, and orderable information. This information is the most current data available for the designated devices. This data is subject to change without notice and revision of this document. For browser-based versions of this data sheet, refer to the left-hand navigation.

**PACKAGING INFORMATION**

Orderable Device	Status (1)	Package Type	Package Drawing	Pins	Package Qty	Eco Plan (2)	Lead finish/ Ball material (6)	MSL Peak Temp (3)	Op Temp (°C)	Device Marking (4/5)	Samples
LMC6081-MDA	ACTIVE	DIESALE	Y	0	270	RoHS & Green	Call TI	Level-1-NA-UNLIM	-55 to 125		<a href="#">Samples</a>
LMC6081AIM/NOPB	OBSOLETE	SOIC	D	8		TBD	Call TI	Call TI	-40 to 85	LMC6081AIM	
LMC6081AIMX/NOPB	ACTIVE	SOIC	D	8	2500	RoHS & Green	SN	Level-1-260C-UNLIM	-40 to 85	LMC6081AIM	<a href="#">Samples</a>
LMC6081IM/NOPB	OBSOLETE	SOIC	D	8		TBD	Call TI	Call TI	-40 to 85	LMC6081IM	
LMC6081IMX/NOPB	ACTIVE	SOIC	D	8	2500	RoHS & Green	SN	Level-1-260C-UNLIM	-40 to 85	LMC6081IM	<a href="#">Samples</a>
LMC6081IN/NOPB	ACTIVE	PDIP	P	8	40	RoHS & Green	NIPDAU	Level-1-NA-UNLIM	-40 to 85	LMC6081IN	<a href="#">Samples</a>
LMC6082AIM/NOPB	OBSOLETE	SOIC	D	8		TBD	Call TI	Call TI	-40 to 85	LMC6082AIM	
LMC6082AIMX/NOPB	ACTIVE	SOIC	D	8	2500	RoHS & Green	SN	Level-1-260C-UNLIM	-40 to 85	LMC6082AIM	<a href="#">Samples</a>
LMC6082AIN/NOPB	ACTIVE	PDIP	P	8	40	RoHS & Green	NIPDAU	Level-1-NA-UNLIM	-40 to 85	LMC6082AIN	<a href="#">Samples</a>
LMC6082IM/NOPB	OBSOLETE	SOIC	D	8		TBD	Call TI	Call TI	-40 to 85	LMC6082IM	
LMC6082IMX/NOPB	ACTIVE	SOIC	D	8	2500	RoHS & Green	SN	Level-1-260C-UNLIM	-40 to 85	LMC6082IM	<a href="#">Samples</a>
LMC6082IN/NOPB	ACTIVE	PDIP	P	8	40	RoHS & Green	NIPDAU	Level-1-NA-UNLIM	-40 to 85	LMC6082IN	<a href="#">Samples</a>
LMC6084AIM/NOPB	OBSOLETE	SOIC	D	14		TBD	Call TI	Call TI	-40 to 85	LMC6084AIM	
LMC6084AIMX/NOPB	ACTIVE	SOIC	D	14	2500	RoHS & Green	NIPDAU   SN	Level-1-260C-UNLIM	-40 to 85	(LMC6084, LMC6084AIM)	<a href="#">Samples</a>
LMC6084IM/NOPB	OBSOLETE	SOIC	D	14		TBD	Call TI	Call TI	-40 to 85	LMC6084IM	
LMC6084IMX/NOPB	ACTIVE	SOIC	D	14	2500	RoHS & Green	SN	Level-1-260C-UNLIM	-40 to 85	LMC6084IM	<a href="#">Samples</a>

(1) The marketing status values are defined as follows:

**ACTIVE:** Product device recommended for new designs.

**LIFEBUY:** TI has announced that the device will be discontinued, and a lifetime-buy period is in effect.

**NRND:** Not recommended for new designs. Device is in production to support existing customers, but TI does not recommend using this part in a new design.

**PREVIEW:** Device has been announced but is not in production. Samples may or may not be available.

**OBSOLETE:** TI has discontinued the production of the device.

<sup>(2)</sup> **RoHS:** TI defines "RoHS" to mean semiconductor products that are compliant with the current EU RoHS requirements for all 10 RoHS substances, including the requirement that RoHS substance do not exceed 0.1% by weight in homogeneous materials. Where designed to be soldered at high temperatures, "RoHS" products are suitable for use in specified lead-free processes. TI may reference these types of products as "Pb-Free".

**RoHS Exempt:** TI defines "RoHS Exempt" to mean products that contain lead but are compliant with EU RoHS pursuant to a specific EU RoHS exemption.

**Green:** TI defines "Green" to mean the content of Chlorine (Cl) and Bromine (Br) based flame retardants meet JS709B low halogen requirements of  $\leq 1000$ ppm threshold. Antimony trioxide based flame retardants must also meet the  $\leq 1000$ ppm threshold requirement.

<sup>(3)</sup> MSL, Peak Temp. - The Moisture Sensitivity Level rating according to the JEDEC industry standard classifications, and peak solder temperature.

<sup>(4)</sup> There may be additional marking, which relates to the logo, the lot trace code information, or the environmental category on the device.

<sup>(5)</sup> Multiple Device Markings will be inside parentheses. Only one Device Marking contained in parentheses and separated by a "~" will appear on a device. If a line is indented then it is a continuation of the previous line and the two combined represent the entire Device Marking for that device.

<sup>(6)</sup> Lead finish/Ball material - Orderable Devices may have multiple material finish options. Finish options are separated by a vertical ruled line. Lead finish/Ball material values may wrap to two lines if the finish value exceeds the maximum column width.

**Important Information and Disclaimer:** The information provided on this page represents TI's knowledge and belief as of the date that it is provided. TI bases its knowledge and belief on information provided by third parties, and makes no representation or warranty as to the accuracy of such information. Efforts are underway to better integrate information from third parties. TI has taken and continues to take reasonable steps to provide representative and accurate information but may not have conducted destructive testing or chemical analysis on incoming materials and chemicals. TI and TI suppliers consider certain information to be proprietary, and thus CAS numbers and other limited information may not be available for release.

In no event shall TI's liability arising out of such information exceed the total purchase price of the TI part(s) at issue in this document sold by TI to Customer on an annual basis.



**TAPE AND REEL INFORMATION**

**QUADRANT ASSIGNMENTS FOR PIN 1 ORIENTATION IN TAPE**


\*All dimensions are nominal

Device	Package Type	Package Drawing	Pins	SPQ	Reel Diameter (mm)	Reel Width W1 (mm)	A0 (mm)	B0 (mm)	K0 (mm)	P1 (mm)	W (mm)	Pin1 Quadrant
LMC6081AIMX/NOPB	SOIC	D	8	2500	330.0	12.4	6.5	5.4	2.0	8.0	12.0	Q1
LMC6081IMX/NOPB	SOIC	D	8	2500	330.0	12.4	6.5	5.4	2.0	8.0	12.0	Q1
LMC6082AIMX/NOPB	SOIC	D	8	2500	330.0	12.4	6.5	5.4	2.0	8.0	12.0	Q1
LMC6082IMX/NOPB	SOIC	D	8	2500	330.0	12.4	6.5	5.4	2.0	8.0	12.0	Q1
LMC6084AIMX/NOPB	SOIC	D	14	2500	330.0	16.4	6.5	9.35	2.3	8.0	16.0	Q1
LMC6084IMX/NOPB	SOIC	D	14	2500	330.0	16.4	6.5	9.35	2.3	8.0	16.0	Q1

**TAPE AND REEL BOX DIMENSIONS**


\*All dimensions are nominal

Device	Package Type	Package Drawing	Pins	SPQ	Length (mm)	Width (mm)	Height (mm)
LMC6081AIMX/NOPB	SOIC	D	8	2500	367.0	367.0	35.0
LMC6081IMX/NOPB	SOIC	D	8	2500	367.0	367.0	35.0
LMC6082AIMX/NOPB	SOIC	D	8	2500	367.0	367.0	35.0
LMC6082IMX/NOPB	SOIC	D	8	2500	367.0	367.0	35.0
LMC6084AIMX/NOPB	SOIC	D	14	2500	367.0	367.0	35.0
LMC6084IMX/NOPB	SOIC	D	14	2500	367.0	367.0	35.0

**TUBE**


\*All dimensions are nominal

Device	Package Name	Package Type	Pins	SPQ	L (mm)	W (mm)	T (μm)	B (mm)
LMC6081IN/NOPB	P	PDIP	8	40	502	14	11938	4.32
LMC6082AIN/NOPB	P	PDIP	8	40	502	14	11938	4.32
LMC6082IN/NOPB	P	PDIP	8	40	502	14	11938	4.32



D0008A

# PACKAGE OUTLINE

SOIC - 1.75 mm max height

SMALL OUTLINE INTEGRATED CIRCUIT



4214825/C 02/2019

### NOTES:

- Linear dimensions are in inches [millimeters]. Dimensions in parenthesis are for reference only. Controlling dimensions are in inches. Dimensioning and tolerancing per ASME Y14.5M.
- This drawing is subject to change without notice.
- This dimension does not include mold flash, protrusions, or gate burrs. Mold flash, protrusions, or gate burrs shall not exceed  $.006$  [0.15] per side.
- This dimension does not include interlead flash.
- Reference JEDEC registration MS-012, variation AA.

# EXAMPLE BOARD LAYOUT

D0008A

SOIC - 1.75 mm max height

SMALL OUTLINE INTEGRATED CIRCUIT



LAND PATTERN EXAMPLE  
 EXPOSED METAL SHOWN  
 SCALE:8X



SOLDER MASK DETAILS

4214825/C 02/2019

NOTES: (continued)

- 6. Publication IPC-7351 may have alternate designs.
- 7. Solder mask tolerances between and around signal pads can vary based on board fabrication site.

# EXAMPLE STENCIL DESIGN

D0008A

SOIC - 1.75 mm max height

SMALL OUTLINE INTEGRATED CIRCUIT



SOLDER PASTE EXAMPLE  
BASED ON .005 INCH [0.125 MM] THICK STENCIL  
SCALE:8X

4214825/C 02/2019

NOTES: (continued)

8. Laser cutting apertures with trapezoidal walls and rounded corners may offer better paste release. IPC-7525 may have alternate design recommendations.
9. Board assembly site may have different recommendations for stencil design.

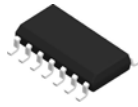
P (R-PDIP-T8)

PLASTIC DUAL-IN-LINE PACKAGE



4040082/E 04/2010

- NOTES:
- A. All linear dimensions are in inches (millimeters).
  - B. This drawing is subject to change without notice.
  - C. Falls within JEDEC MS-001 variation BA.



# D0014A

# PACKAGE OUTLINE

## SOIC - 1.75 mm max height

SMALL OUTLINE INTEGRATED CIRCUIT



4220718/A 09/2016

### NOTES:

1. All linear dimensions are in millimeters. Dimensions in parenthesis are for reference only. Dimensioning and tolerancing per ASME Y14.5M.
2. This drawing is subject to change without notice.
3. This dimension does not include mold flash, protrusions, or gate burrs. Mold flash, protrusions, or gate burrs shall not exceed 0.15 mm, per side.
4. This dimension does not include interlead flash. Interlead flash shall not exceed 0.43 mm, per side.
5. Reference JEDEC registration MS-012, variation AB.



# EXAMPLE BOARD LAYOUT

D0014A

SOIC - 1.75 mm max height

SMALL OUTLINE INTEGRATED CIRCUIT



LAND PATTERN EXAMPLE  
SCALE:8X



SOLDER MASK DETAILS

4220718/A 09/2016

NOTES: (continued)

- 6. Publication IPC-7351 may have alternate designs.
- 7. Solder mask tolerances between and around signal pads can vary based on board fabrication site.

# EXAMPLE STENCIL DESIGN

D0014A

SOIC - 1.75 mm max height

SMALL OUTLINE INTEGRATED CIRCUIT



SOLDER PASTE EXAMPLE  
BASED ON 0.125 mm THICK STENCIL  
SCALE:8X

4220718/A 09/2016

NOTES: (continued)

8. Laser cutting apertures with trapezoidal walls and rounded corners may offer better paste release. IPC-7525 may have alternate design recommendations.
9. Board assembly site may have different recommendations for stencil design.

## 重要声明和免责声明

TI“按原样”提供技术和可靠性数据（包括数据表）、设计资源（包括参考设计）、应用或其他设计建议、网络工具、安全信息和其他资源，不保证没有瑕疵且不做任何明示或暗示的担保，包括但不限于对适销性、某特定用途方面的适用性或不侵犯任何第三方知识产权的暗示担保。

这些资源可供使用 TI 产品进行设计的熟练开发人员使用。您将自行承担以下全部责任：(1) 针对您的应用选择合适的 TI 产品，(2) 设计、验证并测试您的应用，(3) 确保您的应用满足相应标准以及任何其他功能安全、信息安全、监管或其他要求。

这些资源如有变更，恕不另行通知。TI 授权您仅可将这些资源用于研发本资源所述的 TI 产品的应用。严禁对这些资源进行其他复制或展示。您无权使用任何其他 TI 知识产权或任何第三方知识产权。您应全额赔偿因在这些资源的使用中对 TI 及其代表造成的任何索赔、损害、成本、损失和债务，TI 对此概不负责。

TI 提供的产品受 [TI 的销售条款](#) 或 [ti.com](#) 上其他适用条款/TI 产品随附的其他适用条款的约束。TI 提供这些资源并不会扩展或以其他方式更改 TI 针对 TI 产品发布的适用的担保或担保免责声明。

TI 反对并拒绝您可能提出的任何其他或不同的条款。

邮寄地址：Texas Instruments, Post Office Box 655303, Dallas, Texas 75265

Copyright © 2024，德州仪器 (TI) 公司