

LM63 $\pm 1^{\circ}\text{C}/\pm 3^{\circ}\text{C}$ Accurate Remote Diode Digital Temperature Sensor with Integrated Fan Control

Check for Samples: [LM63](#)

FEATURES

- Accurately Senses Diode-Connected 2N3904 Transistors or Thermal Diodes On Board Large Processors or ASICs
- Accurately Senses its Own Temperature
- Factory Trimmed for Intel® Pentium® 4 and Mobile Pentium 4 Processor-M Thermal Diodes
- Integrated PWM Fan Speed Control Output
- Acoustic Fan Noise Reduction With User-Programmable 8-Step Lookup Table
- Multi-Function, User-Selectable Pin for Either ALERT Output, or Tachometer Input, Functions
- Tachometer Input for Measuring Fan RPM
- Smart-Tach Modes for Measuring RPM of Fans With Pulse-Width-Modulated Power as Shown in Typical Application
- Offset Register can Adjust for a Variety of Thermal Diodes
- 10 Bit Plus Sign Remote Diode Temperature Data Format, With 0.125°C Resolution
- SMBus 2.0 Compatible Interface, Supports TIMEOUT
- LM86-Compatible Pinout
- LM86-Compatible Register Set
- 8-Pin SOIC Package

APPLICATIONS

- Computer Processor Thermal Management (Laptop, Desktop, Workstations, Servers)
- Graphics Processor Thermal Management
- Electronic Test Equipment
- Projectors
- Office Equipment
- Industrial Controls

DESCRIPTION

The LM63 is a remote diode temperature sensor with integrated fan control. The LM63 accurately measures: (1) its own temperature and (2) the temperature of a diode-connected transistor, such as a 2N3904, or a thermal diode commonly found on Computer Processors, Graphics Processor Units (GPU) and other ASIC's. The LM63 remote temperature sensor's accuracy is factory trimmed for the series resistance and 1.0021 non-ideality of the Intel $0.13\ \mu\text{m}$ Pentium 4 and Mobile Pentium 4 Processor-M thermal diode. The LM63 has an offset register to correct for errors caused by different non-ideality factors of other thermal diodes.

The LM63 also features an integrated, pulse-width-modulated (PWM), open-drain fan control output. Fan speed is a combination of the remote temperature reading, the lookup table and the register settings. The 8-step Lookup Table enables the user to program a non-linear fan speed vs. temperature transfer function often used to quiet acoustic fan noise.

CONNECTION DIAGRAM

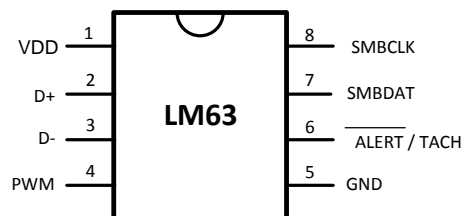


Figure 1. 8-Pin SOIC (D Package)



Please be aware that an important notice concerning availability, standard warranty, and use in critical applications of Texas Instruments semiconductor products and disclaimers thereto appears at the end of this data sheet.

Intel, Pentium are registered trademarks of Intel Corporation.
All other trademarks are the property of their respective owners.

KEY SPECIFICATIONS

- Remote Diode Temp Accuracy (with quantization error)

| Ambient Temp | Diode Temp | I _{PWML} Max | Version | Max Error |
|--------------|-------------|-----------------------|---------|-----------|
| 30 to 50°C | 60 to 100°C | 5 mA | LM63C | ±1.0°C |
| 30 to 50°C | 60 to 100°C | 5 mA | LM63D | ±3.0°C |
| 0 to 85°C | 25 to 125°C | 8 mA | All | ±3.0°C |

- Local Temp Accuracy (includes quantization error)

| Ambient Temp | Max Error |
|---------------|-----------|
| 25°C to 125°C | ±3.0°C |

- Supply Voltage: 3.0 V to 3.6 V
- Supply Current: 1.3 mA (typ)

PIN DESCRIPTIONS

| PIN | NAME | INPUT/OUTPUT | FUNCTION AND CONNECTION |
|-----|---------------------------------------|-------------------------------------|---|
| 1 | V _{DD} | Power Supply Input | Connect to a low-noise +3.3 ± 0.3 VDC power supply, and bypass to GND with a 0.1 μF ceramic capacitor in parallel with a 100 pF ceramic capacitor. A bulk capacitance of 10 μF needs to be in the vicinity of the LM63's V _{DD} pin. |
| 2 | D+ | Analog Input | Connect to the anode (positive side) of the remote diode. A 2.2 nF ceramic capacitor must be connected between pins 2 and 3. |
| 3 | D- | Analog Input | Connect to the cathode (negative side) of the remote diode. A 2.2 nF ceramic capacitor must be connected between pins 2 and 3. |
| 4 | PWM | Open-Drain Digital Output | Open-Drain Digital Output. Connect to fan drive circuitry. The power-on default for this pin is low (pin 4 pulled to ground). |
| 5 | GND | Ground | This is the analog and digital ground return. |
| 6 | $\overline{\text{ALERT}}/\text{TACH}$ | Digital I/O | Depending on how the LM63 is programmed, this pin is either an open-drain $\overline{\text{ALERT}}$ output or a tachometer input for measuring fan speed. The power-on default for this pin is the ALERT function. |
| 7 | SMBDAT | Digital Input/ Open-Drain Output | This is the bi-directional SMBus data line. |
| 8 | SMBCLK | Digital Input | Digital Input. This is the SMBus clock input. |

SIMPLIFIED BLOCK DIAGRAM

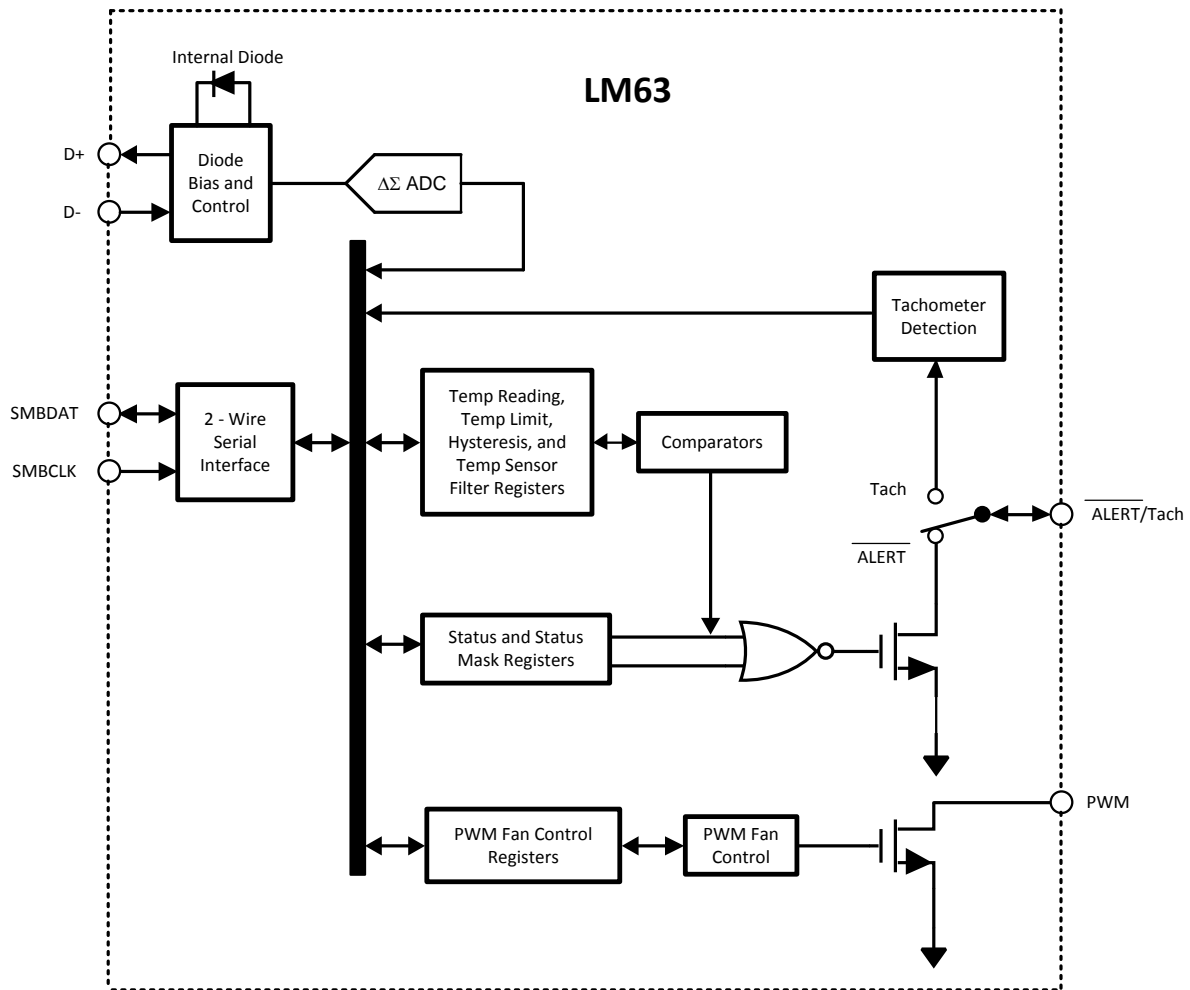


Figure 2.

TYPICAL APPLICATION

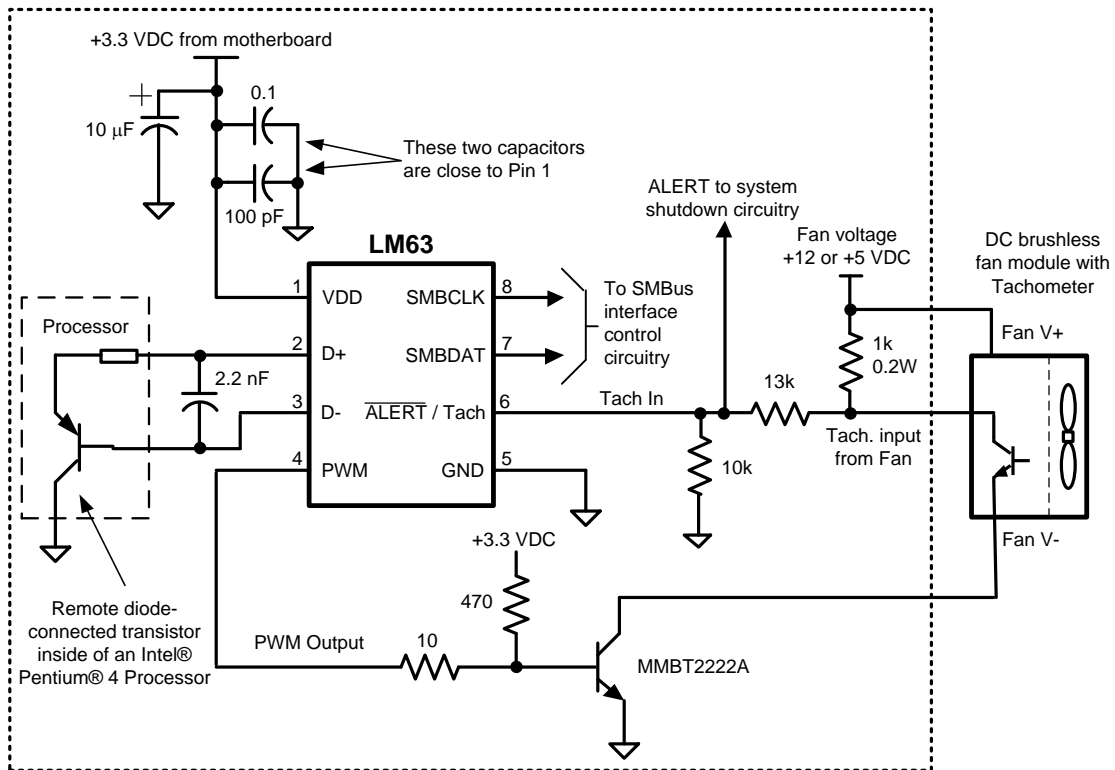


Figure 3.



These devices have limited built-in ESD protection. The leads should be shorted together or the device placed in conductive foam during storage or handling to prevent electrostatic damage to the MOS gates.

ABSOLUTE MAXIMUM RATINGS⁽¹⁾⁽²⁾

| | | | |
|--|-------------------------------|-------------------------------|--------|
| Supply Voltage, V_{DD} | | -0.3 V to 6.0 V | |
| Voltage on SMBDAT, SMBCLK, $\overline{\text{ALERT}}$ /Tach, PWM Pins | | -0.5 V to 6.0 V | |
| Voltage on Other Pins | | -0.3 V to ($V_{DD} + 0.3$ V) | |
| Input Current, D- Pin | | ± 1 mA | |
| Input Current at All Other Pins ⁽³⁾ | | 5 mA | |
| Package Input Current ⁽³⁾ | | 30 mA | |
| Package Power Dissipation | | See ⁽⁴⁾ | |
| SMBDAT, $\overline{\text{ALERT}}$, PWM pins | Output Sink Current | 10 mA | |
| Storage Temperature | | -65°C to +150°C | |
| ESD Susceptibility ⁽⁵⁾ | | Human Body Model | 2000 V |
| | | Machine Model | 200 V |
| Soldering Information, Lead Temperature | SOIC-8 Package ⁽⁶⁾ | Vapor Phase (60 seconds) | 215°C |
| | | Infrared (15 seconds) | 220°C |

- (1) Absolute Maximum Ratings indicate limits beyond which damage to the device may occur. Operating Ratings indicate conditions for which the device is functional, but do not ensure performance limits. For ensured specifications and test conditions, see the Electrical Characteristics. The ensured specifications apply only for the test conditions listed. Some performance characteristics may degrade when the device is not operated under the listed test conditions.
- (2) All voltages are measured with respect to GND, unless otherwise noted.
- (3) When the input voltage (V_{IN}) at any pin exceeds the power supplies ($V_{IN} < \text{GND}$ or $V_{IN} > V+$), the current at that pin should be limited to 5 mA. Parasitic components and/or ESD protection circuitry for the LM63's pins are shown in Figure 4 and Table 1. The nominal breakdown voltage of D3 is 6.5 V. Care should be taken not to forward bias the parasitic diode, D1, present on pins D+ and D-. Doing so by more than 50 mV may corrupt temperature measurements. An "X" means it exists in the circuit.
- (4) Thermal resistance junction-to-ambient when attached to a printed circuit board with 2 oz. foil is 168°C/W.
- (5) Human body model, 100 pF discharged through a 1.5 k Ω resistor. Machine model, 200 pF discharged directly into each pin. See Figure 4 and Table 1 for the ESD Protection Input Structure.
- (6) See the URL <http://www.ti.com/packaging> for other recommendations and methods of soldering surface mount devices.

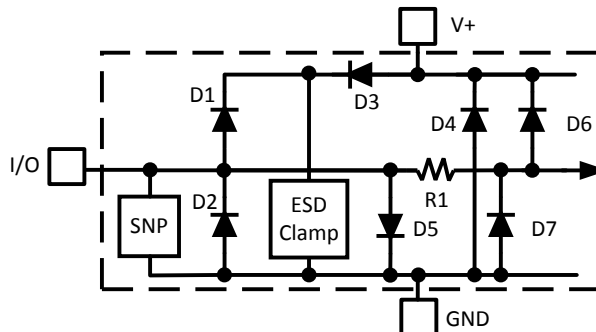


Figure 4. ESD Protection Input Structure

Table 1. ESD Protection Input Structure

| PIN NAME | PIN # | D1 | D2 | D3 | D4 | D5 | D6 | R1 | SNP | ESD CLAMP |
|---------------------------------|-------|----|----|----|----|----|----|----|-----|-----------|
| V_{DD} | 1 | | | X | | | | | | X |
| D+ | 2 | X | X | | | X | X | X | | X |
| D- | 3 | X | X | | X | X | X | | | X |
| PWM | 4 | | X | | | | X | X | X | |
| $\overline{\text{ALERT}}$ /Tach | 6 | | X | | | | X | X | X | |
| SMBDAT | 7 | | X | | | | X | X | X | |
| SMBCLK | 8 | | X | | | | | | X | |

OPERATING RATINGS⁽¹⁾⁽²⁾

| | | |
|---|------------------|--|
| Specified Temperature Range ($T_{MIN} \leq T_A \leq T_{MAX}$) | LM63CIM, LM63DIM | $0^{\circ}\text{C} \leq T_A \leq +85^{\circ}\text{C}$ |
| Remote Diode Temperature Range | | $0^{\circ}\text{C} \leq T_A \leq +125^{\circ}\text{C}$ |
| Supply Voltage Range (V_{DD}) | | +3.0 V to +3.6 V |

- (1) Absolute Maximum Ratings indicate limits beyond which damage to the device may occur. Operating Ratings indicate conditions for which the device is functional, but do not ensure performance limits. For ensured specifications and test conditions, see the Electrical Characteristics. The ensured specifications apply only for the test conditions listed. Some performance characteristics may degrade when the device is not operated under the listed test conditions.
- (2) All voltages are measured with respect to GND, unless otherwise noted.

DC ELECTRICAL CHARACTERISTICS**TEMPERATURE-TO-DIGITAL CONVERTER CHARACTERISTICS**

The following specifications apply for $V_{DD} = 3.0\text{ VDC}$ to 3.6 VDC , and all analog source impedance $R_S = 50\Omega$ unless otherwise specified in the conditions. **Boldface limits apply for $T_A = T_{MIN}$ to T_{MAX}** ; all other limits $T_A = +25^{\circ}\text{C}$.

| PARAMETER | CONDITIONS | | VERSION | TYPICAL ⁽¹⁾ | LIMITS ⁽²⁾ | UNITS (LIMITS) |
|---|---|--|---------|------------------------|---------------------------|--------------------------|
| Temperature Error Using the Remote Thermal Diode of an Intel Pentium 4 or Mobile Pentium 4 Processor-M with typical non-ideality of 1.0021. | $T_A = +30$ to $+50^{\circ}\text{C}$ $I_{PWML} \leq 5\text{ mA}$ | $T_D = +60$ to $+100^{\circ}\text{C}$ $T_D =$ Remote Diode Junction Temperature | LM63C | | ± 1 | $^{\circ}\text{C}$ (max) |
| | | | LM63D | | ± 3 | $^{\circ}\text{C}$ (max) |
| | $T_A = +0$ to $+85^{\circ}\text{C}$ $I_{PWML} \leq 8\text{ mA}$ | $T_D = +25$ to $+125^{\circ}\text{C}$ | All | | ± 3 | $^{\circ}\text{C}$ (max) |
| Temperature Error Using the Local Diode | $T_A = +25$ to $+125^{\circ}\text{C}$ ⁽³⁾⁽⁴⁾ | | All | ± 1 | ± 3 | $^{\circ}\text{C}$ (max) |
| Remote Diode Resolution | | | All | 11 | | Bits |
| | | | | 0.125 | | $^{\circ}\text{C}$ |
| Local Diode Resolution | | | All | 8 | | Bits |
| | | | | 1 | | $^{\circ}\text{C}$ |
| Conversion Time, All Temperatures | Fastest Setting | | All | 31.25 | 34.4 | ms (max) |
| D- Source Voltage | | | All | 0.7 | | V |
| Diode Source Current | $(V_{D+} - V_{D-}) = +0.65\text{ V}$; High Current | | All | 160 | 315 | μA (max) |
| | | | | | 110 | μA (min) |
| | Low Current | | All | 13 | 20 | μA (max) |
| | | | | | 7 | μA (min) |

- (1) "Typicals" are at $T_A = 25^{\circ}\text{C}$ and represent most likely parametric norm. They are to be used as general reference values not for critical design calculations.
- (2) Limits are specified to AOQL (Average Outgoing Quality Level).
- (3) Local temperature accuracy does not include the effects of self-heating. The rise in temperature due to self-heating is the product of the internal power dissipation of the LM63 and the thermal resistance. For the thermal resistance to be used in the self-heating calculation, see the table footnote about Thermal resistance junction-to-ambient.
- (4) Thermal resistance junction-to-ambient when attached to a printed circuit board with 2 oz. foil is $168^{\circ}\text{C}/\text{W}$.

OPERATING ELECTRICAL CHARACTERISTICS

| PARAMETER | CONDITIONS | | TYPICAL ⁽¹⁾ | LIMITS ⁽²⁾ | UNITS |
|---|---------------------------------------|------|------------------------|-----------------------|---------------|
| | ALERT | PWM | | | |
| ALERT and PWM Output Saturation Voltage | I_{OUT} | 4 mA | 5 mA | 0.4 | V (max) |
| | I_{OUT} | 6 mA | | 0.55 | |
| Power-On-Reset Threshold Voltage | | | | 2.4 | V (max) |
| | | | | 1.8 | V (min) |
| Supply Current ⁽³⁾ | SMBus Inactive, 16 Hz Conversion Rate | | 1.1 | 2.0 | mA (max) |
| | STANDBY Mode | | 300 | | μA |

- (1) "Typicals" are at $T_A = 25^{\circ}\text{C}$ and represent most likely parametric norm. They are to be used as general reference values not for critical design calculations.
- (2) Limits are specified to AOQL (Average Outgoing Quality Level).
- (3) The supply current will not increase substantially with an SMBus transaction.

AC ELECTRICAL CHARACTERISTICS

The following specifications apply for $V_{DD} = 3.0$ VDC to 3.6 VDC, and all analog source impedance $R_S = 50\Omega$ unless otherwise specified in the conditions. **Boldface limits apply for $T_A = T_{MIN}$ to T_{MAX}** ; all other limits $T_A = +25^\circ\text{C}$.

| SYMBOL | PARAMETER | CONDITIONS | TYPICAL ⁽¹⁾ | LIMITS ⁽²⁾ | UNITS (LIMIT) |
|----------------------------|-----------------------------|------------|------------------------|-----------------------|---------------|
| TACHOMETER ACCURACY | | | | | |
| | Fan Control Accuracy | | | ± 10 | % (max) |
| | Fan Full-Scale Count | | | 65535 | (max) |
| | Fan Counter Clock Frequency | | 90 | | kHz |
| | Fan Count Update Frequency | | 1.0 | | Hz |
| FAN PWM OUTPUT | | | | | |
| | Frequency Accuracy | | | ± 10 | % (max) |

- (1) "Typicals" are at $T_A = 25^\circ\text{C}$ and represent most likely parametric norm. They are to be used as general reference values not for critical design calculations.
- (2) Limits are specified to AOQL (Average Outgoing Quality Level).

DIGITAL ELECTRICAL CHARACTERISTICS

| SYMBOL | PARAMETER | CONDITIONS | TYPICAL ⁽¹⁾ | LIMITS ⁽²⁾ | UNITS (LIMIT) |
|----------|----------------------------|-----------------------|------------------------|-----------------------|---------------------|
| V_{IH} | Logical High Input Voltage | | | 2.1 | V (min) |
| V_{IL} | Logical Low Input Voltage | | | 0.8 | V (max) |
| I_{IH} | Logical High Input Current | $V_{IN} = V_{DD}$ | 0.005 | +10 | μA (max) |
| I_{IL} | Logical Low Input Current | $V_{IN} = \text{GND}$ | -0.005 | -10 | μA (max) |
| C_{IN} | Digital Input Capacitance | | 20 | | pF |

- (1) "Typicals" are at $T_A = 25^\circ\text{C}$ and represent most likely parametric norm. They are to be used as general reference values not for critical design calculations.
- (2) Limits are specified to AOQL (Average Outgoing Quality Level).

SMBus LOGICAL ELECTRICAL CHARACTERISTICS

The following specifications apply for $V_{DD} = 3.0$ VDC to 3.6 VDC, and all analog source impedance $R_S = 50\Omega$ unless otherwise specified in the conditions. **Boldface limits apply for $T_A = T_{MIN}$ to T_{MAX}** ; all other limits $T_A = +25^\circ\text{C}$.

| SYMBOL | PARAMETER | CONDITIONS | TYPICAL ⁽¹⁾ | LIMITS ⁽²⁾ | UNITS (LIMIT) |
|---------------------------------|--------------------------------|--------------------|------------------------|-----------------------|---------------------|
| SMBDAT OPEN-DRAIN OUTPUT | | | | | |
| V_{OL} | Logic Low Level Output Voltage | $I_{OL} = 4$ mA | | 0.4 | V (max) |
| I_{OH} | High Level Output Current | $V_{OUT} = V_{DD}$ | 0.03 | 10 | μA (max) |
| SMBDAT, SMBCLK INPUTS | | | | | |
| V_{IH} | Logical High Input Voltage | | | 2.1 | V (min) |
| V_{IL} | Logical Low Input Voltage | | | 0.8 | V (max) |
| V_{HYST} | Logic Input Hysteresis Voltage | | 320 | | mV |

- (1) "Typicals" are at $T_A = 25^\circ\text{C}$ and represent most likely parametric norm. They are to be used as general reference values not for critical design calculations.
- (2) Limits are specified to AOQL (Average Outgoing Quality Level).

SMBus DIGITAL SWITCHING CHARACTERISTICS

Unless otherwise noted, these specifications apply for $V_{DD} = +3.0$ VDC to $+3.6$ VDC, C_L (load capacitance) on output lines = 80 pF. **Boldface limits apply for $T_A = T_J$; $T_{MIN} \leq T_A \leq T_{MAX}$** ; all other limits $T_A = T_J = +25^\circ\text{C}$, unless otherwise noted. The switching characteristics of the LM63 fully meet or exceed the published specifications of the SMBus version 2.0. The following parameters are the timing relationships between SMBCLK and SMBDAT signals related to the LM63. They adhere to, but are not necessarily the same as the SMBus bus specifications.

| SYMBOL | PARAMETER | CONDITIONS | LIMITS ⁽¹⁾ | UNITS (LIMIT) |
|---------------|---|---|--------------------------|--|
| f_{SMB} | SMBus Clock Frequency | | 10 100 | kHz (min) kHz (max) |
| t_{LOW} | SMBus Clock Low Time | From $V_{IN(0) \max}$ to $V_{IN(0) \max}$ | 4.7 | μs (min) |
| t_{HIGH} | SMBus Clock High Time | From $V_{IN(1) \min}$ to $V_{IN(1) \min}$ | 4.0 50 | μs (min) μs (max) |
| t_R | SMBus Rise Time | See ⁽²⁾ | 1 | μs (max) |
| t_F | SMBus Fall Time | See ⁽³⁾ | 0.3 | μs (max) |
| t_{OF} | Output Fall Time | $C_L = 400$ pF, $I_O = 3$ mA | 250 | ns (max) |
| $t_{TIMEOUT}$ | SMBData and SMBCLK Time Low for Reset of Serial Interface. See ⁽⁴⁾ . | | 25 35 | ms (min) ms (max) |
| $t_{SU:DAT}$ | Data In Setup Time to SMBCLK High | | 250 | ns (min) |
| $t_{HD:DAT}$ | Data Out Hold Time after SMBCLK Low | | 300 930 | ns (min) ns (max) |
| $t_{HD:STA}$ | Hold Time after (Repeated) Start Condition. After this period the first clock is generated. | | 4.0 | μs (min) |
| $t_{SU:STO}$ | Stop Condition SMBCLK High to SMBDAT Low (Stop Condition Setup) | | 100 | ns (min) |
| $t_{SU:STA}$ | SMBus Repeated Start-Condition Setup Time, SMBCLK High to SMBDAT Low | | 4.7 | μs (min) |
| t_{BUF} | SMBus Free Time between Stop and Start Conditions | | 4.7 | μs (min) |

(1) Limits are specified to AOQL (Average Outgoing Quality Level).

(2) The output rise time is measured from ($V_{IL \max} - 0.15$ V) to ($V_{IH \min} + 0.15$ V).

(3) The output fall time is measured from ($V_{IH \min} + 0.15$ V) to ($V_{IL \min} - 0.15$ V).

(4) Holding the SMBData and/or SMBCLK lines Low for a time interval greater than $t_{TIMEOUT}$ will reset the LM63's SMBus state machine, therefore setting SMBDAT and SMBCLK pins to a high-impedance state.

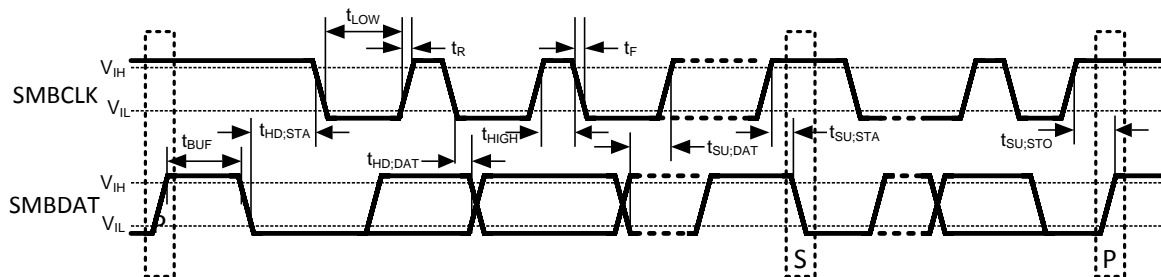


Figure 5. SMBus Timing Diagram for SMBCLK and SMBDAT Signals

FUNCTIONAL DESCRIPTION

The LM63 Remote Diode Temperature Sensor with Integrated Fan Control incorporates a ΔV_{BE} -based temperature sensor using a Local or Remote diode and a 10-bit plus sign $\Delta\Sigma$ ADC (Delta-Sigma Analog-to-Digital Converter). The pulse-width modulated (PWM) open-drain output, with a pullup resistor, can drive a switching transistor to modulate fan speed. When the $\overline{\text{ALERT/Tach}}$ is programmed to the Tach mode the LM63 can measure the fan speed on the pulses from the fan's tachometer output. The LM63 includes a smart-tach measurement mode to accommodate the corrupted tachometer pulses when using switching transistor drive. When the $\overline{\text{ALERT/Tach}}$ pin is programmed to the ALERT mode the $\overline{\text{ALERT}}$ open-drain output will be pulled low when the measured temperature exceeds certain programmed limits when enabled. Details are contained in the sections to follow.

The LM63's two-wire interface is compatible with the SMBus Specification 2.0. For more information the reader is directed to www.smbus.org.

In the LM63 digital comparators are used to compare the measured Local Temperature (LT) to the Local High Setpoint user-programmable temperature limit register. The measured Remote Temperature (RT) is digitally compared to the Remote High Setpoint (RHS), the Remote Low Setpoint (RLS), and the Remote T_CRIT Setpoint (RCS) user-programmable temperature limits. An $\overline{\text{ALERT}}$ output will occur when the measured temperature is: (1) higher than either the High Setpoint or the T_CRIT Setpoint, or (2) lower than the Low Setpoint. The ALERT Mask register allows the user to prevent the generation of these $\overline{\text{ALERT}}$ outputs.

The temperature hysteresis is set by the value placed in the Hysteresis Register (TH).

The LM63 may be placed in a low-power Standby mode by setting the Standby bit found in the Configuration Register. In the Standby mode continuous conversions are stopped. In Standby mode the user may choose to allow the PWM output signal to continue, or not, by programming the PWM Disable in Standby bit in the Configuration Register.

The Local Temperature reading and setpoint data registers are 8-bits wide. The format of the 11-bit remote temperature data is a 16-bit left justified word. Two 8-bit registers, high and low bytes, are provided for each setpoint as well as the temperature reading. Two Remote Temperature Offset (RTO) Registers: High Byte and Low Byte (RTOHB and RTOLB) may be used to correct the temperature readings by adding or subtracting a fixed value based on a different non-ideality factor of the thermal diode if different from the 0.13 micron Intel Pentium 4 or Mobile Pentium 4 Processor-M processor's thermal diode. See the [DIODE NON-IDEALITY](#) section.

CONVERSION SEQUENCE

The LM63 takes approximately 31.25 ms to convert the Local Temperature (LT), Remote Temperature (RT), and to update all of its registers. The Conversion Rate may be modified using the Conversion Rate Register. When the conversion rate is modified a delay is inserted between conversions, the actual conversion time remains at 31.25 ms. Different Conversion Rates will cause the LM63 to draw different amounts of supply current as shown in [Figure 6](#).

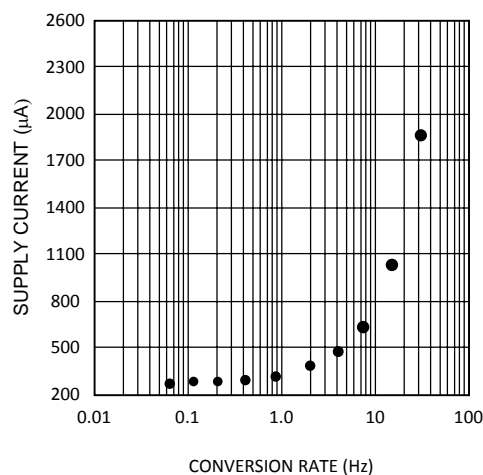


Figure 6. Supply Current vs Conversion Rate

THE $\overline{\text{ALERT}}$ /TACH PIN AS $\overline{\text{ALERT}}$ OUTPUT

The $\overline{\text{ALERT}}$ /Tach pin is a multi-use pin. In this section, we will address the ALERT active-low open-drain output function. When the $\overline{\text{ALERT}}$ /Tach Select bit is written as a zero in the Configuration Register the $\overline{\text{ALERT}}$ output is selected. Also, when the ALERT Mask bit in the Configuration register is written as zero the ALERT interrupts are enabled.

The LM63's $\overline{\text{ALERT}}$ pin is versatile and can produce three different methods of use to best serve the system designer: (1) as a temperature comparator (2) as a temperature-based interrupt flag, and (3) as part of an SMBus ALERT System. The three methods of use are further described in the following sections: [ALERT OUTPUT AS A TEMPERATURE COMPARATOR](#), [ALERT OUTPUT AS AN INTERRUPT](#), and [ALERT OUTPUT AS AN SMBus ALERT](#). The ALERT and interrupt methods are different only in how the user interacts with the LM63.

The remote temperature (RT) reading is associated with a T_CRIT Setpoint Register, and both local and remote temperature (LT and RT) readings are associated with a HIGH setpoint register (LHS and RHS). The RT is also associated with a LOW setpoint register (RLS). At the end of every temperature reading a digital comparison determines whether that reading is above its HIGH or T_CRIT setpoint or below its LOW setpoint. If so, the corresponding bit in the ALERT Status Register is set. If the ALERT mask bit is low, any bit set in the ALERT Status Register, with the exception of Busy or Open, will cause the ALERT output to be pulled low. Any temperature conversion that is out of the limits defined in the temperature setpoint registers will trigger an ALERT. Additionally, the ALERT Mask Bit must be cleared to trigger an ALERT in all modes.

The three different ALERT modes will be discussed in the following sections: [ALERT OUTPUT AS A TEMPERATURE COMPARATOR](#), [ALERT OUTPUT AS AN INTERRUPT](#), and [ALERT OUTPUT AS AN SMBus ALERT](#).

ALERT OUTPUT AS A TEMPERATURE COMPARATOR

When the LM63 is used in a system in which does not require temperature-based interrupts, the $\overline{\text{ALERT}}$ output could be used as a temperature comparator. In this mode, once the condition that triggered the $\overline{\text{ALERT}}$ to go low is no longer present, the $\overline{\text{ALERT}}$ is negated (Figure 7). For example, if the $\overline{\text{ALERT}}$ output was activated by the comparison of $\text{LT} > \text{LHS}$, when this condition is no longer true, the $\overline{\text{ALERT}}$ will return HIGH. This mode allows operation without software intervention, once all registers are configured during set-up. In order for the $\overline{\text{ALERT}}$ to be used as a temperature comparator, the Comparator Mode bit in the Remote Diode Temperature Filter and Comparator Mode Register must be asserted. This is not the power-on default state.

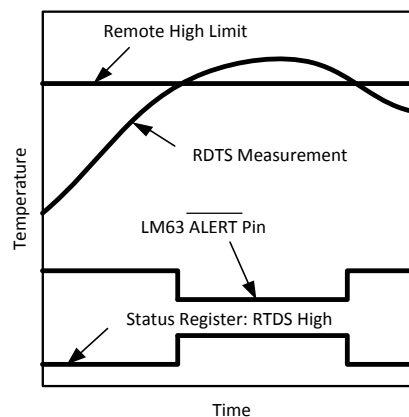


Figure 7. $\overline{\text{ALERT}}$ Output as Temperature Comparator Response Diagram

ALERT OUTPUT AS AN INTERRUPT

The LM63's $\overline{\text{ALERT}}$ output can be implemented as a simple interrupt signal when it is used to trigger an interrupt service routine. In such systems it is desirable for the interrupt flag to repeatedly trigger during or before the interrupt service routine has been completed. Under this method of operation, during the read of the ALERT Status Register the LM63 will set the ALERT Mask bit in the Configuration Register if any bit in the ALERT Status Register is set, with the exception of Busy and Open. This prevents further $\overline{\text{ALERT}}$ triggering until the master has reset the ALERT Mask bit, at the end of the interrupt service routine. The ALERT Status Register bits are cleared only upon a read command from the master (see Figure 8) and will be re-asserted at the end of the next conversion if the triggering condition(s) persist(s). In order for the $\overline{\text{ALERT}}$ to be used as a dedicated interrupt signal, the Comparator Mode bit in the Remote Diode Temperature Filter and Comparator Mode Register must be set low. This is the power-on default state. The following sequence describes the response of a system that uses the $\overline{\text{ALERT}}$ output pin as an interrupt flag:

1. Master senses $\overline{\text{ALERT}}$ low.
2. Master reads the LM63 ALERT Status Register to determine what caused the ALERT.
3. LM63 clears ALERT Status Register, resets the $\overline{\text{ALERT}}$ HIGH and sets the ALERT Mask bit in the Configuration Register.
4. Master attends to conditions that caused the $\overline{\text{ALERT}}$ to be triggered. The fan is started, setpoint limits are adjusted, etc.
5. Master resets the ALERT Mask bit in the Configuration Register.

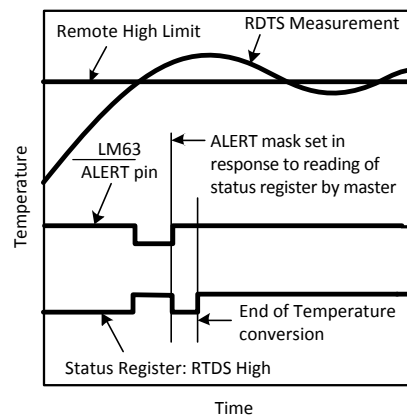


Figure 8. $\overline{\text{ALERT}}$ Output as an Interrupt Temperature Response Diagram

ALERT OUTPUT AS AN SMBus ALERT

An SMBus alert line is created when the $\overline{\text{ALERT}}$ output is connected to: (1) one or more $\overline{\text{ALERT}}$ outputs of other SMBus compatible devices, and (2) to a master. Under this implementation, the LM63's $\overline{\text{ALERT}}$ should be operated using the ARA (Alert Response Address) protocol. The SMBus 2.0 ARA protocol, defined in the SMBus specification 2.0, is a procedure designed to assist the master in determining which part generated an interrupt and to service that interrupt.

The SMBus alert line is connected to the open-drain ports of all devices on the bus, thereby AND'ing them together. The ARA method allows the SMBus master, with one command, to identify which part is pulling the SMBus alert line LOW. It also prevents the part from pulling the line LOW again for the same triggering condition. When an ARA command is received by all devices on the bus, the devices pulling the SMBus alert line LOW: (1) send their address to the master and (2) release the SMBus alert line after acknowledgement of their address.

The SMBus Specifications 1.1 and 2.0 state that in response to an ARA (Alert Response Address) "after acknowledging the slave address the device must disengage its ALERT pulldown". Furthermore, "if the host still sees ALERT low when the message transfer is complete, it knows to read the ARA again." This SMBus "disengaging ALERT requirement prevents locking up the SMBus alert line. Competitive parts may address the "disengaging of ALERT" differently than the LM63 or not at all. SMBus systems that implement the ARA protocol as suggested for the LM63 will be fully compatible with all competitive parts.

The LM63 fulfills “disengaging of ALERT” by setting the ALERT Mask Bit in the Configuration Register after sending out its address in response to an ARA and releasing the $\overline{\text{ALERT}}$ output pin. Once the ALERT Mask bit is activated, the $\overline{\text{ALERT}}$ output pin will be disabled until enabled by software. In order to enable the ALERT the master must read the ALERT Status Register, during the interrupt service routine and then reset the ALERT Mask bit in the Configuration Register to 0 at the end of the interrupt service routine.

The following sequence describes the ARA response protocol.

1. Master senses SMBus alert line low
2. Master sends a START followed by the Alert Response Address (ARA) with a Read Command.
3. Alerting Device(s) send ACK.
4. Alerting Device(s) send their address. While transmitting their address, alerting devices sense whether their address has been transmitted correctly. (The LM63 will reset its $\overline{\text{ALERT}}$ output and set the ALERT Mask bit once its complete address has been transmitted successfully.)
5. Master/slave NoACK
6. Master sends STOP
7. Master attends to conditions that caused the ALERT to be triggered. The ALERT Status Register is read and fan started, setpoints adjusted, etc.
8. Master resets the ALERT Mask bit in the Configuration Register.

The ARA, 000 1100, is a general call address. No device should ever be assigned to this address.

The ALERT Configuration bit in the Remote Diode Temperature Filter and Comparator Mode Register must be set low in order for the LM63 to respond to the ARA command.

The $\overline{\text{ALERT}}$ output can be disabled by setting the ALERT Mask bit in the Configuration Register. The power-on default is to have the ALERT Mask bit and the ALERT Configuration bit low.

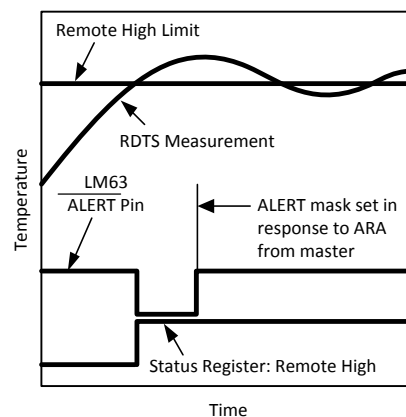


Figure 9. $\overline{\text{ALERT}}$ Output as an SMBus ALERT Temperature Response Diagram

SMBus INTERFACE

Since the LM63 operates as a slave on the SMBus the SMBCLK line is an input and the SMBDAT line is bi-directional. The LM63 never drives the SMBCLK line and it does not support clock stretching. According to SMBus specifications, the LM63 has a 7-bit slave address. All bits, A6 through A0, are internally programmed and cannot be changed by software or hardware.

The complete slave address is:

| A6 | A5 | A4 | A3 | A2 | A1 | A0 |
|----|----|----|----|----|----|----|
| 1 | 0 | 0 | 1 | 1 | 0 | 0 |

POWER-ON RESET (POR) DEFAULT STATES

For information on the POR default states, see [REGISTER MAP IN FUNCTIONAL ORDER](#).

TEMPERATURE DATA FORMAT

Temperature data can only be read from the Local and Remote Temperature registers. The High, Low and T_CRIT setpoint registers are Read/Write.

Remote temperature data is represented by an 11-bit, two's complement word with a Least Significant Bit (LSB) equal to 0.125°C. The data format is a left justified 16-bit word available in two 8-bit registers:

| TEMPERATURE | DIGITAL OUTPUT | |
|-------------|---------------------|------|
| | BINARY | HEX |
| +125°C | 0111 1101 0000 0000 | 7D00 |
| +25°C | 0001 1001 0000 0000 | 1900 |
| +1°C | 0000 0001 0000 0000 | 0100 |
| +0.125°C | 0000 0000 0010 0000 | 0020 |
| 0°C | 0000 0000 0000 0000 | 0000 |
| -0.125°C | 1111 1111 1110 0000 | FFE0 |
| -1°C | 1111 1111 0000 0000 | FF00 |
| -25°C | 1110 0111 0000 0000 | E700 |
| -55°C | 1100 1001 0000 0000 | C900 |

Local Temperature data is represented by an 8-bit, two's complement byte with an LSB equal to 1°C:

| TEMPERATURE | DIGITAL OUTPUT | |
|-------------|----------------|-----|
| | BINARY | HEX |
| +125°C | 0111 1101 | 7D |
| +25°C | 0001 1001 | 19 |
| +1°C | 0000 0001 | 01 |
| 0°C | 0000 0000 | 00 |
| -1°C | 1111 1111 | FF |
| -25°C | 1110 0111 | E7 |
| -55°C | 1100 1001 | C9 |

OPEN-DRAIN OUTPUTS

The SMBDAT, $\overline{\text{ALERT}}$, and PWM outputs are open-drain outputs and do not have internal pullups. A “High” level will not be observed on these pins until pullup current is provided by an internal source, typically through a pullup resistor. Choice of resistor value depends on several factors but, in general, the value should be as high as possible consistent with reliable operation. This will lower the power dissipation of the LM63 and avoid temperature errors caused by self-heating of the device. The maximum value of the pullup resistor to provide the 2.1 V high level is 88.7 k Ω .

DIODE FAULT DETECTION

The LM63 can detect fault conditions caused by the remote diode. If the D+ pin is detected to be shorted to V_{DD} , or open: (1) the Remote Temperature High Byte (RTHB) register is loaded with 127°C, (2) the Remote Temperature Low Byte (RTLB) register is loaded with 0, and (3) the OPEN bit (D2) in the status register is set. Therefore, if the Remote T_CRIT setpoint register (RCS): (1) is set to a value less than +127°C and (2) the ALERT Mask is disabled, then the $\overline{\text{ALERT}}$ output pin will be pulled low. If the Remote High Setpoint High Byte (RHS HB) is set to a value less than +127°C and (2) the ALERT Mask is disabled, then the $\overline{\text{ALERT}}$ will be pulled low. The OPEN bit by itself will not trigger an ALERT.

If the D+ pin is shorted to either ground or D-, then the Remote Temperature High Byte (RTHB) register is loaded with -128°C (1000 0000) and the OPEN bit in the ALERT Status Register will not be set. A temperature reading of -128°C indicates that D+ is shorted to either ground or D-. If the value in the Remote Low Setpoint High Byte (RLSHB) Register is more than -128°C and the ALERT Mask is Disabled, $\overline{\text{ALERT}}$ will be pulled low.

COMMUNICATING WITH THE LM63

Each data register in the LM63 falls into one of four types of user accessibility:

1. Read Only
2. Write Only
3. Read/Write same address
4. Read/Write different address

A Write to the LM63 is comprised of an address byte and a command byte. A write to any register requires one data byte.

Reading the LM63 Registers can take place after the requisite register setup sequence takes place. See [REQUIRED INITIAL FAN CONTROL REGISTER SEQUENCE](#).

The data byte has the Most Significant Bit (MSB) first. At the end of a read, the LM63 can accept either Acknowledge or No-Acknowledge from the Master. Note that the No-Acknowledge is typically used as a signal for the slave indicating that the Master has read its last byte.

DIGITAL FILTER

The LM63 incorporates a user-configured digital filter to suppress erroneous Remote Temperature readings due to noise. The filter is accessed in the Remote Diode Temperature Filter and Comparator Mode Register. The filter can be set according to [Table 2](#).

Level 2 is maximum filtering.

Table 2. Digital Filter Selection Table

| D2 | D1 | FILTER |
|----|----|-----------|
| 0 | 0 | No Filter |
| 0 | 1 | Level 1 |
| 1 | 0 | Level 1 |
| 1 | 1 | Level 2 |

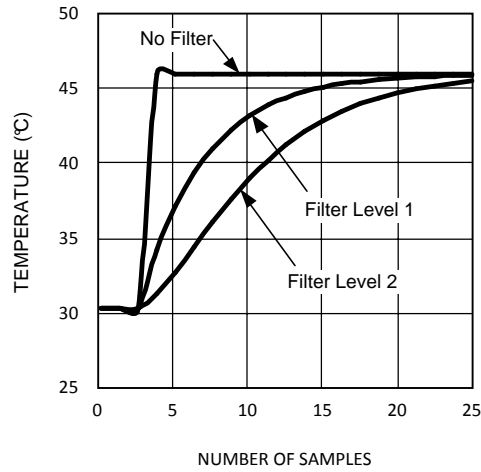


Figure 10. Step Response of the Digital Filter

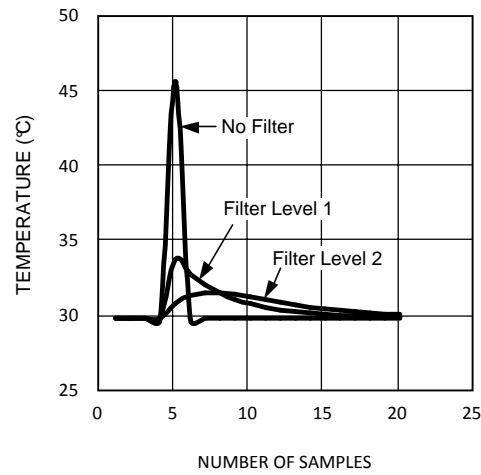


Figure 11. Impulse Response of the Digital Filter

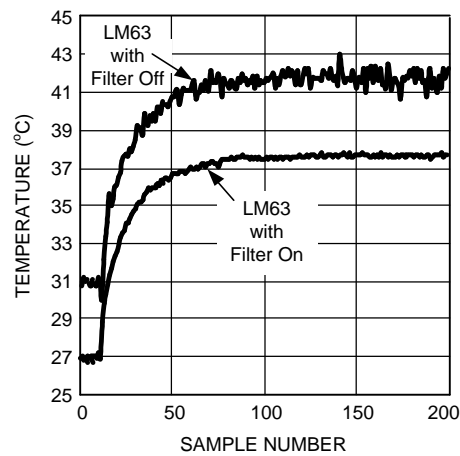


Figure 12. Digital Filter Response in an Intel Pentium 4 processor System. The Filter on and off curves were purposely offset to better show noise performance.

FAULT QUEUE

The LM63 incorporates a Fault Queue to suppress erroneous ALERT triggering. The Fault Queue prevents false triggering by requiring three consecutive out-of-limit HIGH, LOW, or T_CRIT temperature readings. See [Figure 13](#). The Fault Queue defaults to OFF upon power-up and may be activated by setting the RDTs Fault Queue bit in the Configuration Register to a 1.

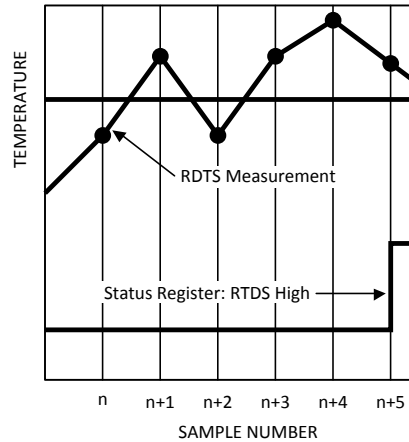


Figure 13. Fault Queue Temperature Response Diagram

ONE-SHOT REGISTER

The One-Shot Register is used to initiate a single conversion and comparison cycle when the device is in standby mode, after which the data returns to standby. This is not a data register. A write operation causes the one-shot conversion. The data written to this address is irrelevant and is not stored. A zero will always be read from this register.

SERIAL INTERFACE RESET

In the event that the SMBus Master is reset while the LM63 is transmitting on the SMBDAT line, the LM63 must be returned to a known state in the communication protocol. This may be done in one of two ways:

1. When SMBDAT is Low, the LM63 SMBus state machine resets to the SMBus idle state if either SMBData or SMBCLK are held Low for more than 35 ms (t_{TIMEOUT}). All devices are to timeout when either the SMBCLK or SMBDAT lines are held Low for 25 ms – 35 ms. Therefore, to insure a timeout of all devices on the bus, either the SMBCLK or the SMBData line must be held Low for at least 35 ms.
2. With both SMBDAT and SMBCLK High, the master can initiate an SMBus start condition with a High to Low transition on the SMBDAT line. The LM63 will respond properly to an SMBus start condition at any point during the communication. After the start the LM63 will expect an SMBus Address address byte.

LM63 REGISTERS

This section includes the following subsections: [REGISTER MAP IN HEXADECIMAL ORDER](#), which shows a summary of all registers and their bit assignments; [REGISTER MAP IN FUNCTIONAL ORDER](#); and [REGISTER DESCRIPTIONS IN FUNCTIONAL ORDER](#), which provides a detailed explanation of each register. Do not address the unused or manufacturer's test registers.

REGISTER MAP IN HEXADECIMAL ORDER

[Table 3](#) is a Register Map grouped in hexadecimal address order. Some address locations have been left blank to maintain compatibility with LM86. Addresses in parenthesis are mirrors of "Same As" address for backwards compatibility with some older software. Reading or writing either address will access the same 8-bit register.

Table 3. Register Map Grouped in Hexadecimal Address Order

| REGISTER 0x[HEX] | REGISTER NAME | DATA BITS | | | | | | | |
|---------------------|-----------------------|--|---------|---------|---------|---------|---------|----------|----------|
| | | D7 | D6 | D5 | D4 | D3 | D2 | D1 | D0 |
| 00 | Local Temperature | LT7 | LT6 | LT5 | LT4 | LT3 | LT2 | LT1 | LT0 |
| 01 | Rmt Temp MSB | RTHB± | RTHB14 | RTHB13 | RTHB12 | RTHB11 | RTHB10 | RTHB9 | RTHB8 |
| 02 | ALERT Status | BUSY | LHIGH | 0 | RHIGH | RLOW | RDFA | RCRIT | TACH |
| 03 | Configuration | ALTMSK | STBY | PWMDIS | 0 | 0 | ALT/TCH | TCRITOV | FLTQUE |
| 04 | Conversion Rate | 0 | 0 | 0 | 0 | CONV3 | CONV2 | CONV1 | CONV0 |
| 05 | Local High Setpoint | LHS7 | LHS6 | LHS5 | LHS4 | LHS3 | LHS2 | LHS1 | LHS0 |
| 06 | [Reserved] | Not Used | | | | | | | |
| 07 | Rmt High Setpoint MSB | RHSHB15 | RHSHB14 | RHHBS13 | RHSHB12 | RHSHB11 | RHSHB10 | RHSHB9 | RHSHB8 |
| 08 | Rmt Low Setpoint MSB | RLSHB15 | RLSHB14 | RLSHB13 | RLSHB12 | RLHBS11 | RLSHB10 | RLSHB9 | RLSHB8 |
| (09) | Same as 03 | | | | | | | | |
| (0A) | Same as 04 | | | | | | | | |
| (0B) | Same as 05 | | | | | | | | |
| 0C | [Reserved] | Not Used | | | | | | | |
| (0D) | Same as 07 | | | | | | | | |
| (0E) | Same as 08 | | | | | | | | |
| 0F | One Shot | Write Only. Write command triggers one temperature conversion cycle. | | | | | | | |
| 10 | Rmt Temp LSB | RTL7 | RTL6 | RTL5 | 0 | 0 | 0 | 0 | 0 |
| 11 | Rmt Temp Offset MSB | RTOHB15 | RTOHB14 | RTOHB13 | RTOHB12 | RTOHB11 | RTOHB10 | RTOHB9 | RTOHB8 |
| 12 | Rmt Temp Offset LSB | RTOLB7 | RTOLB6 | RTOLB5 | 0 | 0 | 0 | 0 | 0 |
| 13 | Rmt High Setpoint LSB | RHSLB7 | RHSLB6 | RHSLB5 | 0 | 0 | 0 | 0 | 0 |
| 14 | Rmt Low Setpoint LSB | RLSLB7 | RLSLB6 | RLSLB5 | 0 | 0 | 0 | 0 | 0 |
| 15 | [Reserved] | Not Used | | | | | | | |
| 16 | ALERT Mask | 1 | ALTMSK6 | 1 | ALTMSK4 | ALTMSK3 | 1 | ALTMSK1 | ALTMSK0 |
| 17 | [Reserved] | Not Used | | | | | | | |
| 18 | [Reserved] | Not Used | | | | | | | |
| 19 | Rmt TCRIT Setpoint | RCS7 | RCS6 | RCS5 | RCS4 | RCS3 | RCS2 | RCS1 | RCS0 |
| 1A–1F | [Reserved] | Not Used | | | | | | | |
| 20 | [Reserved] | Not Used | | | | | | | |
| 21 | Rmt TCRIT Hysteresis | RTH7 | RTH6 | RTH5 | RTH4 | RTH3 | RTH2 | RTH1 | RTH0 |
| 22–2F | [Reserved] | Not Used | | | | | | | |
| 30–3F | [Reserved] | Not Used | | | | | | | |
| 40–45 | [Reserved] | Not Used | | | | | | | |
| 46 | Tach Count LSB | TCLB5 | TCLB4 | TCLB3 | TCLB2 | TCLB1 | TCLB0 | TEDGE1 | TEDGE0 |
| 47 | Tach Count MSB | TCHB13 | TCHB12 | TCHB11 | TCHB10 | TCHB9 | TCHB8 | TCHB7 | TCHB6 |
| 48 | Tach Limit LSB | TLLB7 | TLLB6 | TLLB5 | TLLB4 | TLLB3 | TLLB2 | Not Used | Not Used |

Table 3. Register Map Grouped in Hexadecimal Address Order (continued)

| REGISTER 0x[HEX] | REGISTER NAME | DATA BITS | | | | | | | |
|---------------------|---------------------------|--|--------|--------|---------|---------|---------|---------|---------|
| | | D7 | D6 | D5 | D4 | D3 | D2 | D1 | D0 |
| 49 | Tach Limit MSB | TLHB15 | TLHB14 | TLHB13 | TLHB12 | TLHB11 | TLHB10 | TLHB9 | TLHB8 |
| 4A | PWM and RPM | 0 | 0 | PWPGM | PWOUT± | PWCKSL | 0 | TACH1 | TACH0 |
| 4B | Fan Spin-Up Config | 0 | 0 | SPINUP | SPNDTY1 | SPNDTY0 | SPNUPT2 | SPNUPT1 | SPNUPT0 |
| 4C | PWM Value | 0 | 0 | PWVAL5 | PWVAL4 | PWVAL3 | PWVAL2 | PWVAL1 | PWVAL0 |
| 4D | PWM Frequency | 0 | 0 | 0 | PWMF4 | PWMF3 | PWMF2 | PWMF1 | PWMF0 |
| 4E | [Reserved] | Not Used | | | | | | | |
| 4F | Lookup Table Hystersis | 0 | 0 | 0 | LOOKH4 | LOOKH3 | LOOKH2 | LOOKH1 | LOOKH0 |
| 50–5F | Lookup Table | Lookup Table of up to 8 PWM and Temp Pairs in 8-bit Registers | | | | | | | |
| 60–BE | [Reserved] | Not Used | | | | | | | |
| BF | Rmt Diode Temp Filter | 0 | 0 | 0 | 0 | 0 | RDTF1 | RDTF0 | ALTCOMP |
| C0–FD | [Reserved] | Not Used | | | | | | | |
| FE | Manufacturer's ID | 0 | 0 | 0 | 0 | 0 | 0 | 0 | 1 |
| FF | Stepping/Die Rev. ID | 0 | 1 | 0 | 0 | 0 | 0 | 0 | 1 |

REGISTER MAP IN FUNCTIONAL ORDER

Table 4 is a Register Map grouped in Functional Order. Some address locations have been left blank to maintain compatibility with LM86. Addresses in parenthesis are mirrors of named address. Reading or writing either address will access the same 8-bit register. The Fan Control and Configuration Registers are listed first, as there is a required order to setup these registers first and then setup the others (see [REQUIRED INITIAL FAN CONTROL REGISTER SEQUENCE](#)). The detailed explanations of each register will follow the order shown in Table 4.

Note: POR = Power-On-Reset.

Table 4. Register Map Grouped in Functional Order

| REGISTER [HEX] | REGISTER NAME | READ/WRITE | POR DEFAULT [HEX] |
|--|---------------------------------|---|-------------------|
| FAN CONTROL REGISTERS | | | |
| 4A | PWM and RPM | R/W | 20 |
| 4B | Fan Spin-Up Configuration | R/W | 3F |
| 4D | PWM Frequency | R/W | 17 |
| 4C | PWM Value | Read Only (R/W if Override Bit is Set) | 00 |
| 50–5F | Lookup Table | R/W | See Table |
| 4F | Lookup Table Hysteresis | R/W | 04 |
| CONFIGURATION REGISTER | | | |
| 03 (09) | Configuration | R/W | 00 |
| TACHOMETER COUNT AND LIMIT REGISTERS | | | |
| 46 | Tach Count LSB | Read Only | N/A |
| 47 | Tach Count MSB | Read Only | N/A |
| 48 | Tach Limit LSB | R/W | FF |
| 49 | Tach Limit MSB | R/W | FF |
| LOCAL TEMPERATURE AND LOCAL SETPOINT REGISTERS | | | |
| 00 | Local Temperature | Read Only | N/A |
| 05 (0B) | Local High Setpoint | R/W | 46 (70°) |
| REMOTE DIODE TEMPERATURE AND SETPOINT REGISTERS | | | |
| 01 | Remote Temperature MSB | Read Only | N/A |
| 10 | Remote Temperature LSB | Read Only | N/A |
| 11 | Remote Temperature Offset MSB | R/W | 00 |
| 12 | Remote Temperature Offset LSB | R/W | 00 |
| 07 (0D) | Remote High Setpoint MSB | R/W | 46 (70°C) |
| 13 | Remote High Setpoint LSB | R/W | 00 |
| 08 (0E) | Remote Low Setpoint MSB | R/W | 00 (0°C) |
| 14 | Remote Low Setpoint LSB | R/W | 00 |
| 19 | Remote TCRIT Setpoint | R/W | 55 (85°C) |
| 21 | Remote TCRIT Hys | R/W | 0A (10°C) |
| BF | Remote Diode Temperature Filter | R/W | 00 |
| CONVERSION AND ONE-SHOT REGISTERS | | | |
| 04 (0A) | Conversion Rate | R/W | 08 |
| 0F | One-Shot | Write Only | N/A |
| ALERT STATUS AND MASK REGISTERS | | | |
| 02 | ALERT Status | Read Only | N/A |
| 16 | ALERT Mask | R/W | A4 |
| ID AND TEST REGISTERS | | | |
| FF | Stepping/Die Rev. ID | Read Only | 41 |

Table 4. Register Map Grouped in Functional Order (continued)

| REGISTER [HEX] | REGISTER NAME | READ/WRITE | POR DEFAULT [HEX] |
|--------------------------------------|---------------|------------|-------------------|
| [RESERVED] REGISTERS—NOT USED | | | |
| 06 | Not Used | N/A | N/A |
| 0C | Not Used | N/A | N/A |
| 15 | Not Used | N/A | N/A |
| 17 | Not Used | N/A | N/A |
| 18 | Not Used | N/A | N/A |
| 1A–1F | Not Used | N/A | N/A |
| 20 | Not Used | N/A | N/A |
| 22–2F | Not Used | N/A | N/A |
| 30–3F | Not Used | N/A | N/A |
| 40–45 | Not Used | N/A | N/A |
| 4E | Not Used | N/A | N/A |
| 60–BE | Not Used | N/A | N/A |
| C0–FD | Not Used | N/A | N/A |

REGISTER DESCRIPTIONS IN FUNCTIONAL ORDER

The [REGISTER DESCRIPTIONS IN FUNCTIONAL ORDER](#) section shows a Register Map grouped in functional order. Some address locations have been left blank to maintain compatibility with LM86. Addresses in parenthesis are mirrors of named address for backwards compatibility with some older software. Reading or writing either address will access the same 8-bit register.

Table 5. Fan Control Registers

| ADDRESS HEX | READ/ WRITE | BITS | POR VALUE | NAME | DESCRIPTION |
|---|-------------|------|-----------|-------------------------|---|
| 4A_{HEX} FAN PWM AND TACHOMETER CONFIGURATION REGISTER | | | | | |
| 4A | R/W | 7:6 | 00 | PWM Program | These bits are unused and always set to 0. |
| | | 5 | 1 | | 0: the PWM Value (register 4C) and the Lookup Table (50–5F) are read-only. The PWM value (0 to 100%) is determined by the current remote diode temperature and the Lookup Table, and can be read from the PWM value register. 1: the PWM value (register 4C) and the Lookup Table (Register 50–5F) are read/write enabled. Writing the PWM Value register will set the PWM output. This is also the state during which the Lookup Table can be written. |
| | | 4 | 0 | PWM Output Polarity | 0: the PWM output pin will be 0 V for fan OFF and open for fan ON. 1: the PWM output pin will be open for fan OFF and 0 V for fan ON. |
| | | 3 | 0 | PWM Clock Select | if 0, the master PWM clock is 360 kHz if 1, the master PWM clock is 1.4 kHz. |
| | | 2 | 0 | [Reserved] | Always write 0 to this bit. |
| | | 1:0 | 00 | Tachometer Mode | 00: Traditional tach input monitor, false readings when under minimum detectable RPM. 01: Traditional tach input monitor, FFFF reading when under minimum detectable RPM. 10: Most accurate readings, FFFF reading when under minimum detectable RPM. Smart-tach mode enabled. Use with direct PWM drive of fan power. 11: Least effort on programmed PWM of fan, FFFF reading when under minimum detectable RPM. Smart-tach mode enabled. Use with direct PWM drive of fan power. Note: If the PWM Clock is 360 kHz, mode 00 is used regardless of the setting of these two bits. |
| 4B_{HEX} FAN PWM AND TACHOMETER CONFIGURATION REGISTER | | | | | |
| 4B | R/W | 7:6 | 0 | Fast Tachometer Spin-Up | These bits are unused and always set to 0 |
| | | 5 | 1 | | If 0, the fan spin-up uses the duty cycle and spin-up time, bits 0–4. If 1, the LM63 sets the PWM output to 100% until the spin-up times out (per bits 0–2) or the minimum desired RPM has been reached (per the Tachometer Setpoint setting) using the tachometer input, whichever happens first. This bit overrides the PWM Spin-Up Duty Cycle register (bits 4:3)—PWM output is always 100%. Register x03, bit 2 = 1 for Tachometer mode. If PWM Spin-Up Time (bits 2:0) = 000, the Spin-Up cycle is bypassed, regardless of the state of this bit. |
| | | 4:3 | 11 | PWM Spin-Up Duty Cycle | 00: Spin-Up cycle bypassed (no Spin-Up), unless Fast Tachometer Terminated Spin-Up (bit 5) is set. 01: 50% 10: 75%–81% Depends on PWM Frequency. See the APPLICATION NOTES section at the end of this datasheet. 11: 100% |
| | | 2:0 | 111 | PWM Spin-Up Time | 000: Spin-Up cycle bypassed (No Spin-Up) 001: 0.05 seconds 010: 0.1 s 011: 0.2 s 100: 0.4 s 101: 0.8 s 110: 1.6 s 111: 3.2 s |

Table 5. Fan Control Registers (continued)

| ADDRESS HEX | READ/ WRITE | BITS | POR VALUE | NAME | DESCRIPTION |
|--|---|------|--------------|------------------|--|
| 4D_{HEX} FAN PWM FREQUENCY REGISTER | | | | | |
| 4D | R/W | 7:5 | 000 | PWM Frequency | These bits are unused and always set to 0 |
| | | 4:0 | 10111 | | The PWM Frequency = PWM_Clock / 2n, where PWM_Clock = 360 kHz or 1.4 kHz (per the PWM Clock Select bit in Register 4A), and n = value of the register. Note: n = 0 is mapped to n = 1. See the APPLICATION NOTES section at the end of this datasheet. |
| 4C_{HEX} PWM VALUE REGISTER | | | | | |
| 4C | Read (Write only if reg 4A bit 5 = 1.) | 7:6 | 00 | PWM Value | These bits are unused and always set to 0 |
| | | 5:0 | 000000 | | If PWM Program (register 4A, bit 5) = 0 this register is read only and reflects the LM63's current PWM value from the Lookup Table. If PWM Program (register 4A, bit 5) = 1, this register is read/write and the desired PWM value is written directly to this register, instead of from the Lookup Table, for direct fan speed control. This register will read 0 during the Spin-Up cycle. See the APPLICATION NOTES section at the end of this datasheet for more information regarding the PWM Value and Duty Cycle in %. |

Table 5. Fan Control Registers (continued)

| ADDRESS HEX | READ/ WRITE | BITS | POR VALUE | NAME | DESCRIPTION |
|--|--|------|----------------------------------|--|--|
| 50_{HEX} to 5F_{HEX} LOOKUP TABLE (7 Bits for Temperature and 6 Bits for PWM for each Temperature/PWM Pair) | | | | | |
| 50 | Read. (Write only if reg 4A bit 5 = 1.) | 7 | 0 | Lookup Table Temperature Entry 1 | This bit is unused and always set to 0. |
| | | 6:0 | 0x7F | | If the remote diode temperature exceeds this value, the PWM output will be the value in Register 51. |
| 51 | | 7:6 | 00 | Lookup Table PWM Entry 1 | These bits are unused and always set to 0. |
| | | 5:0 | 0x3F | | The PWM value corresponding to the temperature limit in register 50. |
| 52 | | 7 | 0 | Lookup Table Temperature Entry 2 | This bit is unused and always set to 0. |
| | | 6:0 | 0x7F | | If the remote diode temperature exceeds this value, the PWM output will be the value in Register 53. |
| 53 | | 7:6 | 00 | Lookup Table PWM Entry 2 | These bits are unused and always set to 0. |
| | | 5:0 | 0x3F | | The PWM value corresponding to the temperature limit in register 52. |
| 54 | | 7 | 0 | Lookup Table Temperature Entry 3 | This bit is unused and always set to 0. |
| | | 6:0 | 0x7F | | If the remote diode temperature exceeds this value, the PWM output will be the value in Register 55. |
| 55 | | 7:6 | 00 | Lookup Table PWM Entry 3 | These bits are unused and always set to 0. |
| | | 5:0 | 0x3F | | The PWM value corresponding to the temperature limit in register 54. |
| 56 | | 7 | 0 | Lookup Table Temperature Entry 4 | This bit is unused and always set to 0. |
| | | 6:0 | 0x7F | | If the remote diode temperature exceeds this value, the PWM output will be the value in Register 57. |
| 57 | | 7:6 | 00 | Lookup Table PWM Entry 4 | These bits are unused and always set to 0. |
| | | 5:0 | 0x3F | | The PWM value corresponding to the temperature limit in register 56. |
| 58 | 7 | 0 | Lookup Table Temperature Entry 5 | This bit is unused and always set to 0. | |
| | 6:0 | 0x7F | | If the remote diode temperature exceeds this value, the PWM output will be the value in Register 59. | |
| 59 | 7:6 | 00 | Lookup Table PWM Entry 5 | These bits are unused and always set to 0. | |
| | 5:0 | 0x3F | | The PWM value corresponding to the temperature limit in register 58. | |
| 5A | 7 | 0 | Lookup Table Temperature Entry 6 | This bit is unused and always set to 0. | |
| | 6:0 | 0x7F | | If the remote diode temperature exceeds this value, the PWM output will be the value in Register 5B. | |
| 5B | 7:6 | 00 | Lookup Table PWM Entry 6 | These bits are unused and always set to 0. | |
| | 5:0 | 0x3F | | The PWM value corresponding to the temperature limit in register 5A. | |
| 5C | 7 | 0 | Lookup Table Temperature Entry 7 | This bit is unused and always set to 0. | |
| | 6:0 | 0x7F | | If the remote diode temperature exceeds this value, the PWM output will be the value in Register 5D. | |
| 5D | 7:6 | 00 | Lookup Table PWM Entry 7 | These bits are unused and always set to 0. | |
| | 5:0 | 0x3F | | The PWM value corresponding to the temperature limit in register 5C. | |
| 5E | 7 | 0 | Lookup Table Temperature Entry 8 | This bit is unused and always set to 0. | |
| | 6:0 | 0x7F | | If the remote diode temperature exceeds this value, the PWM output will be the value in Register 5F. | |
| 5F | 7:6 | 00 | Lookup Table PWM Entry 8 | These bits are unused and always set to 0. | |
| | 5:0 | 0x3F | | The PWM value corresponding to the temperature limit in register 5E. | |
| 4F_{HEX} LOOKUP TABLE HYSTERESIS | | | | | |
| 4F | R/W | 7:5 | 000 | Lookup Table Hysteresis | These bits are unused and always set to 0 |
| | | 4:0 | 00100 | | The amount of hysteresis applied to the Lookup Table. (1 LSB = 1°C). |

Table 6. Configuration Register

| ADDRESS HEX | READ/ WRITE | BITS | POR VALUE | NAME | DESCRIPTION |
|---|----------------|------|--------------|---|---|
| 03 (09)_{HEX} CONFIGURATION REGISTER | | | | | |
| 03 (09) | R/W | 7 | 0 | ALERT Mask | When this bit is a 0, ALERT interrupts are enabled. When this bit is set to a 1, ALERT interrupts are masked, and the ALERT pin is always in a high-impedance (open) state. |
| | | 6 | 0 | STANDBY | When this bit is a 0, the LM63 is in operational mode, converting, comparing, and updating the PWM output continuously. When this bit is a 1, the LM63 enters a low-power standby mode. In STANDBY, continuous conversions are stopped, but a conversion/comparison cycle may be initiated by writing any value to register 0x0F. Operation of the PWM output in STANDBY depends on the setting of bit 5 in this register. |
| | | 5 | 0 | PWM Disable in STANDBY | When this bit is a 0, the LM63's PWM output continues to output the current fan control signal while in STANDBY. When this bit is a 1, the PWM output is disabled (as defined by the PWM polarity bit) while in STANDBY. |
| | | 4:3 | 00 | | These bits are unused and always set to 0. |
| | | 2 | 0 | $\overline{\text{ALERT}}$ /Tach Select | When this bit is a 0, the $\overline{\text{ALERT}}$ /Tach pin is an open drain $\overline{\text{ALERT}}$ output. When this bit is a 1, the $\overline{\text{ALERT}}$ /Tach pin is a high-impedance Tachometer input. Note that if this bit is set, the function of the $\overline{\text{ALERT}}$ /Tach pin must be Tach input, so an <i>external</i> ALERT condition will not occur. |
| | | 1 | 0 | T_CRIT Limit Override | The T_CRIT limit for the remote diode is nominally 85°C. This value can be changed once after power-up by first setting this bit to a 1, then programming a new T_CRIT value into the Remote Diode T_CRIT Limit (register 0x19). The T_CRIT value can not be changed again except by cycling power to the LM63. |
| | | 0 | 0 | RDTS Fault Queue | 0: an ALERT will be generated if any Remote Diode conversion result is above the Remote High Set Point or below the Remote Low Setpoint . 1: an ALERT will be generated only if three consecutive Remote Diode conversions are above the Remote High Set Point or below the Remote Low Setpoint . |

Table 7. Tachometer Count And Limit Registers

| ADDRESS HEX | READ/ WRITE | BITS | POR VALUE | NAME | DESCRIPTION | | | | | | | | | | | | | | | |
|---|-------------|------|-----------|------------------------|---|-----------------------|---------------------|---------------------|-----|-----------------------|--|-----|---|---|-----|---|---|-----|---|---|
| 47_{HEX} TACHOMETER COUNT (MSB) and 46_{HEX} TACHOMETER COUNT (LSB) REGISTERS (16 bits: Read LSB first to lock MSB and ensure MSB and LSB are from the same reading) | | | | | | | | | | | | | | | | | | | | |
| 47 | Read Only | 7:0 | N/A | Tachometer Count (MSB) | These registers contain the current 16-bit Tachometer Count, representing the period of time between tach pulses. Note that the 16-bit tachometer MSB and LSB are reversed from the 16-bit temperature readings. | | | | | | | | | | | | | | | |
| | Read Only | 7:2 | N/A | Tachometer Count (LSB) | | | | | | | | | | | | | | | | |
| 46 | Read Only | 1:0 | 00 | Tachometer Edge Count | <table border="1"> <thead> <tr> <th>Bits</th> <th>Edges Used</th> <th>Tach_Count_Multiple</th> </tr> </thead> <tbody> <tr> <td>00:</td> <td colspan="2">Reserved - do not use</td> </tr> <tr> <td>01:</td> <td>2</td> <td>4</td> </tr> <tr> <td>10:</td> <td>3</td> <td>2</td> </tr> <tr> <td>11:</td> <td>5</td> <td>1</td> </tr> </tbody> </table> | Bits | Edges Used | Tach_Count_Multiple | 00: | Reserved - do not use | | 01: | 2 | 4 | 10: | 3 | 2 | 11: | 5 | 1 |
| | | | | | Bits | Edges Used | Tach_Count_Multiple | | | | | | | | | | | | | |
| | | | | | 00: | Reserved - do not use | | | | | | | | | | | | | | |
| | | | | | 01: | 2 | 4 | | | | | | | | | | | | | |
| | | | | | 10: | 3 | 2 | | | | | | | | | | | | | |
| 11: | 5 | 1 | | | | | | | | | | | | | | | | | | |
| 49_{HEX} TACHOMETER LIMIT (MSB) and 48_{HEX} TACHOMETER LIMIT (LSB) REGISTERS | | | | | | | | | | | | | | | | | | | | |
| 49 | R/W | 7:0 | 0xFF | Tachometer Limit (MSB) | These registers contain the current 16-bit Tachometer Count, representing the period of time between tach pulses. Fan RPM = (f * 5,400,000) / (Tachometer Count), where f = 1 for 2 pulses/rev fan; f = 2 for 1 pulse/rev fan; and f = 2/3 for 3 pulses/rev fan. See the APPLICATION NOTES section at the end of this datasheet for more tachometer information. Note that the 16-bit tachometer MSB and LSB are reversed from the 16 bit temperature readings. | | | | | | | | | | | | | | | |
| 48 | R/W | 7:2 | 0xFF | Tachometer Limit (LSB) | | | | | | | | | | | | | | | | |
| | R/W | 1:0 | | [Reserved] | | Not Used. | | | | | | | | | | | | | | |

Table 8. Local Temperature And Local High Setpoint Registers

| ADDRESS HEX | READ/ WRITE | BITS | POR VALUE | NAME | DESCRIPTION |
|--|-------------|------|------------|-----------------------------------|---|
| 00_{HEX} LOCAL TEMPERATURE REGISTER (8-bits) | | | | | |
| 00 | Read Only | 7:0 | N/A | Local Temperature Reading (8-bit) | 8-bit integer representing the temperature of the LM63 die. |
| 05 (0B)_{HEX} LOCAL HIGH SETPOINT REGISTER (8-bits) | | | | | |
| 05 | R/W | 7:0 | 0x46 (70°) | Local HIGH Setpoint | High Setpoint for the internal diode. |

Table 9. Remote Diode Temperature, Offset And Setpoint Registers

| ADDRESS HEX | READ/ WRITE | BITS | POR VALUE | NAME | DESCRIPTION |
|-------------|-------------|------|-------------|--|---|
| 01 | Read Only | 7:0 | N/A | Remote Diode Temperature Reading (MSB) | This is the MSB of the 2's complement value, representing the temperature of the remote diode connected to the LM63. Bit 7 is the sign bit, bit 6 has a weight of 0x40 (64°), and bit 0 has a weight of 1°C. This byte to be read first. The LM63C and LM63D will report the actual thermal diode temperature. |
| 10 | Read Only | 7:5 | N/A | Remote Diode Temperature Reading (MSB) | This is the LSB of the 2's complement value, representing the temperature of the remote diode connected to the LM63. Bit 7 has a weight 0.5°C, bit 6 has a weight of 0.25°C, and bit 5 has a weight of 0.125°C. |
| | | 4:0 | 00 | | Always 00. |
| 11 | R/W | 7:5 | 00 | Remote Temperature OFFSET (MSB) | These registers contain the value added to or subtracted from the remote diode's reading to compensate for the different non-ideality factors of different processors, diodes, etc. The 2's complement value, in these registers is added to the output of the LM63's ADC to form the temperature reading contained in registers 01 and 10. |
| 12 | R/W | 7:5 | 00 | Remote Temperature OFFSET (LSB) | |
| 07 (0D) | R/W | 7:0 | 0x46 (70°C) | Remote HIGH Setpoint (MSB) | High setpoint temperature for remote diode. Same format as Remote Temperature Reading (registers 01 and 10). |
| 13 | R/W | 7:5 | 00 | Remote HIGH Setpoint (LSB) | |
| 08 (0E) | R/W | 7:0 | 00 (0°C) | Remote LOW Setpoint (MSB) | Low setpoint temperature for remote diode. Same format as Remote Temperature Reading (registers 01 and 10). |
| 14 | R/W | 7:5 | 00 | Remote LOW Setpoint (LSB) | |
| 19 | R/W | 7:0 | 0x55 (85°C) | Remote Diode T_CRIT Limit | This 8-bit integer storing the T_CRIT limit is nominally 85°C. This value can be changed once after power-up by setting T_CRIT Limit Override (bit 1) in the Configuration register to a 1, then programming a new T_CRIT value into this register. The T_CRIT Limit can not be changed again except by cycling power to the LM63. |
| 21 | R/W | 7:0 | 0x0A (10°C) | Remote Diode T_CRIT Hysteresis | 8-bit integer storing T_CRIT hysteresis. T_CRIT stays activated until the remote diode temperature goes below [(T_CRIT Limit)—(T_CRIT Hysteresis)]. |
| BF | R/W | 7:3 | 00000 | | These bits are unused and should always set to 0. |
| | | 2:1 | 00 | Remote Diode Temperature Filter | 00: Filter Disabled 01: Filter Level 1 (minimal filtering, same as 10) 10: Filter Level 1 (minimal filtering, same as 01) 11: Filter Level 2 (maximum filtering) |
| | | 0 | 0 | Comparator Mode | 0: the $\overline{\text{ALERT}}$ /Tach pin functions normally. 1: the $\overline{\text{ALERT}}$ /Tach pin behaves as a comparator, asserting itself when an ALERT condition exists, de-asserting itself when the ALERT condition goes away. |

Table 10. ALERT Status and Mask Registers

| ADDRESS HEX | READ/ WRITE | BITS | POR VALUE | NAME | DESCRIPTION |
|--|----------------|------|--------------|--------------------------|---|
| 02_{HEX} ALERT STATUS REGISTER (8-bits) (All Alarms are latched until read, then cleared if alarm condition was removed at the time of the read.) | | | | | |
| 0x02 | Read Only | 7 | 0 | Busy | When this bit is a 0, the ADC is not converting. When this bit is set to a 1, the ADC is performing a conversion. This bit does not affect ALERT status. |
| | | 6 | 0 | Local High Alarm | When this bit is a 0, the internal temperature of the LM63 is at or below the Local High Setpoint. When this bit is a 1, the internal temperature of the LM63 is above the Local High Setpoint, and an ALERT is triggered. |
| | | 5 | 0 | | This bit is unused and always read as 0. |
| | | 4 | 0 | Remote High Alarm | When this bit is a 0, the temperature of the Remote Diode is at or below the Remote High Setpoint. When this bit is a 1, the temperature of the Remote Diode is above the Remote High Setpoint, and an ALERT is triggered. |
| | | 3 | 0 | Remote Low Alarm | When this bit is a 0, the temperature of the Remote Diode is at or above the Remote Low Setpoint. When this bit is a 1, the temperature of the Remote Diode is below the Remote Low Setpoint, and an ALERT is triggered. |
| | | 2 | 0 | Remote Diode Fault Alarm | When this bit is a 0, the Remote Diode appears to be correctly connected. When this bit is a 1, the Remote Diode may be disconnected or shorted. This Alarm does not trigger an ALERT. |
| | | 1 | 0 | Remote T_CRIT Alarm | When this bit is a 0, the temperature of the Remote Diode is at or below the T_CRIT Limit. When this bit is a 1, the temperature of the Remote Diode is above the T_CRIT Limit, and an ALERT is triggered.. |
| | | 0 | 0 | Tach Alarm | When this bit is a 0, the Tachometer count is lower than or equal to the Tachometer Limit (the RPM of the fan is greater than or equal to the minimum desired RPM). When this bit is a 1, the Tachometer count is higher than the Tachometer Limit (the RPM of the fan is less than the minimum desired RPM), and an ALERT is triggered. Note that if this bit is set, the function of the ALERT/Tach pin must be Tach input, so an <i>external</i> ALERT condition will not be generated. The user may read the status register periodically to find out if and ALERT condition has occurred. |
| 16_{HEX} ALERT MASK REGISTER (8-bits) | | | | | |
| 16 | R/W | 7 | 1 | | This bit is unused and always read as 1. |
| | | 6 | 0 | Local High Alarm Mask | When this bit is a 0, a Local High Alarm event will generate an ALERT. When this bit is a 1, a Local High Alarm will not generate an ALERT |
| | | 5 | 1 | | This bit is unused and always read as 1. |
| | | 4 | 0 | Remote High Alarm Mask | When this bit is a 0, Remote High Alarm event will generate an ALERT. When this bit is a 1, a Remote High Alarm event will not generate an ALERT. |
| | | 3 | 0 | Remote Low Alarm Mask | When this bit is a 0, a Remote Low Alarm event will generate an ALERT. When this bit is a 1, a Remote Low Alarm event will not generate an ALERT. |
| | | 2 | 1 | | This bit is unused and always read as 1. |
| | | 1 | 0 | Remote T_CRIT Alarm Mask | When this bit is a 0, a Remote T_CRIT event will generate an ALERT. When this bit is a 1, a Remote T_CRIT event will not generate an ALERT. |
| | | 0 | 0 | Tach Alarm Mask | When this bit is a 0, a Tach Alarm event will generate an ALERT. When this bit is a 1, a Tach Alarm event will not generate an ALERT. |

Table 11. Conversion Rate And One-Shot Registers

| ADDRESS HEX | READ/ WRITE | BITS | POR VALUE | NAME | DESCRIPTION |
|--|----------------|------|--------------|---------------------|---|
| 04 (0A)_{HEX} CONVERSION RATE REGISTER (8-bits) | | | | | |
| 04 (0A) | R/W | 7:0 | 0x08 | Conversion Rate | Sets the conversion rate of the LM63. 00000000 = 0.0625 Hz 00000001 = 0.125 Hz 00000010 = 0.25 Hz 00000011 = 0.5 Hz 00000100 = 1 Hz 00000101 = 2 Hz 00000110 = 4 Hz 00000111 = 8 Hz 00001000 = 16 Hz 00001001 = 32 Hz All other values = 32 Hz |
| 04 (0A)_{HEX} ONE-SHOT REGISTER (8-bits) | | | | | |
| 0F | Write Only | 7:0 | N/A | One Shot Trigger | With the LM63 in the STANDBY mode a single write to this register will initiate one complete temperature conversion cycle. |

Table 12. ID Registers

| ADDRESS HEX | READ/ WRITE | BITS | POR VALUE | NAME | DESCRIPTION |
|--|----------------|------|--------------|-----------------------------|--------------------------|
| FF_{HEX} STEPPING / DIE REVISION ID REGISTER (8-bits) | | | | | |
| FF | Read Only | 7:0 | 0x41 | Stepping/Die Revision ID | Version of LM63 |
| FE_{HEX} MANUFACTURER'S ID REGISTER (8-bits) | | | | | |
| FE | Read Only | 7:0 | 0x01 | Manufacturer's ID | 0x01 = Texas Instruments |

APPLICATION NOTES

FAN CONTROL DUTY CYCLE VS. REGISTER SETTINGS AND FREQUENCY

| PWM FREQ 4D [4:0] | STEP RESOLUTION, % | PWM VALUE 4D [5:0] FOR 100% | PWM VALUE 4C [5:0] FOR ABOUT 75% | PWM VALUE 4C [5:0] FOR 50% | PWM FREQ AT 360 kHz INTERNAL CLOCK, kHz | PWM FREQ AT 1.4 kHz INTERNAL CLOCK, Hz | ACTUAL DUTY CYCLE, % WHEN 75% IS SELECTED |
|----------------------|----------------------------------|--------------------------------------|---|-------------------------------------|---|--|--|
| 0 | Address 0 is mapped to Address 1 | | | | | | |
| 1 | 50 | 2 | 1 | 1 | 180.0 | 703.1 | 50.0 |
| 2 | 25 | 4 | 3 | 2 | 90.00 | 351.6 | 75.0 |
| 3 | 16.7 | 6 | 5 | 3 | 60.00 | 234.4 | 83.3 |
| 4 | 12.5 | 8 | 6 | 4 | 45.00 | 175.8 | 75.0 |
| 5 | 10.0 | 10 | 8 | 5 | 36.00 | 140.6 | 80.0 |
| 6 | 8.33 | 12 | 9 | 6 | 30.00 | 117.2 | 75.0 |
| 7 | 7.14 | 14 | 11 | 7 | 25.71 | 100.4 | 78.6 |
| 8 | 6.25 | 16 | 12 | 8 | 22.50 | 87.9 | 75.0 |
| 9 | 5.56 | 18 | 14 | 9 | 20.00 | 78.1 | 77.8 |
| 10 | 5.00 | 20 | 15 | 10 | 18.00 | 70.3 | 75.0 |
| 11 | 4.54 | 22 | 17 | 11 | 16.36 | 63.9 | 77.27 |
| 12 | 4.16 | 24 | 18 | 12 | 15.00 | 58.6 | 75.00 |
| 13 | 3.85 | 26 | 20 | 13 | 13.85 | 54.1 | 76.92 |
| 14 | 3.57 | 28 | 21 | 14 | 12.86 | 50.2 | 75.00 |
| 15 | 3.33 | 30 | 23 | 15 | 12.00 | 46.9 | 76.67 |
| 16 | 3.13 | 32 | 24 | 16 | 11.25 | 43.9 | 75.00 |
| 17 | 2.94 | 34 | 26 | 17 | 10.59 | 41.4 | 76.47 |
| 18 | 2.78 | 36 | 27 | 18 | 10.00 | 39.1 | 75.00 |
| 19 | 2.63 | 38 | 29 | 19 | 9.47 | 37.0 | 76.32 |
| 20 | 2.50 | 40 | 30 | 20 | 9.00 | 35.2 | 75.00 |
| 21 | 2.38 | 42 | 32 | 21 | 8.57 | 33.5 | 76.19 |
| 22 | 2.27 | 44 | 33 | 22 | 8.18 | 32.0 | 75.00 |
| 23 | 2.17 | 46 | 35 | 23 | 7.82 | 30.6 | 76.09 |
| 24 | 2.08 | 48 | 36 | 24 | 7.50 | 29.3 | 75.00 |
| 25 | 2.00 | 50 | 38 | 25 | 7.20 | 28.1 | 76.00 |
| 26 | 1.92 | 52 | 39 | 26 | 6.92 | 27.0 | 75.00 |
| 27 | 1.85 | 54 | 41 | 27 | 6.67 | 26.0 | 75.93 |
| 28 | 1.79 | 56 | 42 | 28 | 6.42 | 25.1 | 75.00 |
| 29 | 1.72 | 58 | 44 | 29 | 6.21 | 24.2 | 75.86 |
| 30 | 1.67 | 60 | 45 | 30 | 6.00 | 23.4 | 75.00 |
| 31 | 1.61 | 62 | 47 | 31 | 5.81 | 22.7 | 75.81 |

COMPUTING DUTY CYCLES FOR A GIVEN FREQUENCY

Select a PWM Frequency from the first column corresponding to the desired actual frequency in columns 6 or 7. Note the PWM Value for 100% Duty Cycle.

Find the Duty Cycle by taking the PWM Value of Register 4C and computing:

$$DutyCycle _ (%) = \frac{PWM _ Value}{PWM _ Value _ for _ 100\%} \times 100\% \quad (1)$$

Example: For a PWM Frequency of 24, a PWM Value at 100% = 48 and PWM Value actual = 28, then the Duty Cycle is $(28/48) \times 100\% = 58.3\%$.

REQUIRED INITIAL FAN CONTROL REGISTER SEQUENCE

Important! The BIOS must follow the sequence listed in [Table 13](#) to configure the following Fan Registers for the LM63 before using any of the Fan or Tachometer or PWM registers.

Table 13. [Register]_{HEX} and Setup Instructions

| STEP | [Register] _{HEX} AND SETUP INSTRUCTIONS ⁽¹⁾ |
|------|--|
| 1 | [4A] Write bits 0 and 1; 3 and 4. This includes tach settings if used, PWM internal clock select (1.4 kHz or 360 kHz) and PWM Output Polarity. |
| 2 | [4B] Write bits 0 through 5 to program the spin-up settings. |
| 3 | [4D] Write bits 0 through 4 to set the frequency settings. This works with the PWM internal clock select. |
| 4 | Choose, then write, only one of the following: A. [4F–5F] the Lookup Table, or B. [4C] the PWM value bits 0 through 5. |
| 5 | If Step 4A, Lookup Table, was chosen and written then write [4A] bit 5 = 0. |

(1) All other registers can be written at any time after the above sequence.

COMPUTING RPM OF THE FAN FROM THE TACH COUNT

The Tach Count Registers 46_{HEX} and 47_{HEX} count the number of periods of the 90 kHz tachometer clock in the LM63 for the tachometer input from the fan assuming a 2 pulse per revolution fan tachometer, such as the fans supplied with the Pentium 4 boxed processors. The RPM of the fan can be computed from the Tach Count Registers 46_{HEX} and 47_{HEX}. This can best be shown through an example.

EXAMPLE:

Given: the fan used has a tachometer output with 2 per revolution.

Let:

- Register 46 (LSB) is BF_{HEX} = Decimal (11 x 16) + 15 = 191 and
- Register 47 (MSB) is 7_{HEX} = Decimal (7 x 256) = 1792.

The total Tach Count, in decimal, is 191 + 1792 = **1983**.

The RPM is computed using the formula

$$\text{Fan_RPM} = \frac{f \times 5,400,000}{\text{Total_Tach_Count_ (Decimal)}}$$

where

- f = 1 for 2 pulses/rev fan tachometer output;
 - f = 2 for 1 pulse/rev fan tachometer output, and
 - f = 2 / 3 for 3 pulses/rev fan tachometer output
- (2)

For our example

$$\text{Fan_RPM} = \frac{1 \times 5,400,000}{1983} = 2723 \text{ _ RPM}$$
(3)

USE OF THE LOOKUP TABLE FOR NON-LINEAR PWM VALUES VS TEMPERATURE

The Lookup Table, Registers 50 through 5F, can be used to create a non-linear PWM vs Temperature curve that could be used to reduce the acoustic noise from processor fan due to linear or step transfer functions. An example is given below.

EXAMPLE:

In a particular system it was found that the best acoustic fan noise performance was found to occur when the PWM vs Temperature transfer function curve was parabolic in shape.

From 25°C to 105°C the fan is to go from 20% to 100%. Since there are 8 steps to the Lookup Table we will break up the Temperature range into 8 separate temperatures. For the 80°C over 8-steps = 10°C per step. This takes care of the x-axis.

For the PWM Value, we first select the PWM Frequency. In this example, we will make the PWM Frequency (Register 4C) 20.

For 100% Duty Cycle then, the PWM value is 40. For 20%, the minimum is $40 \times (0.2) = 8$.

We can then arrange the PWM, Temperature pairs in a parabolic fashion in the form of $y = 0.005 \cdot (x - 25)^2 + 8$

| TEMPERATURE | PWM VALUE CALCULATED | CLOSEST PWM VALUE |
|-------------|----------------------|-------------------|
| 25 | 8.0 | 8 |
| 35 | 8.5 | 9 |
| 45 | 10.0 | 10 |
| 55 | 12.5 | 13 |
| 65 | 16.0 | 16 |
| 75 | 20.5 | 21 |
| 85 | 26.0 | 26 |
| 95 | 32.5 | 33 |
| 105 | 40.0 | 40 |

We can then program the Lookup Table with the temperature and Closest PWM Values required for the curve required in our example.

NON-IDEALITY FACTOR AND TEMPERATURE ACCURACY

The LM63 can be applied to remote diode sensing in the same way as other integrated-circuit temperature sensors. It can be soldered to a printed-circuit board, and because the path of best thermal conductivity is between the die and the pins, its temperature will effectively be that of the printed-circuit board lands and traces soldered to its pins. This presumes that the ambient air temperature is nearly the same as the surface temperature of the printed-circuit board. If the air temperature is much higher or lower than the surface temperature, the actual temperature of the LM63 die will be an intermediate temperature between the surface and air temperatures. Again, the primary thermal conduction path is through the leads, so the circuit board surface temperature will contribute to the die temperature much more than the air temperature.

To measure the temperature external to the die use a remote diode. This diode can be located on the die of the target IC, such as a CPU processor chip as shown in Figure 14, allowing measurement of the IC's temperature, independent of the LM63's temperature. The LM63 has been optimized for use with the thermal diode on the die of an Intel Pentium 4 or a Mobile Pentium 4 Processor-M processor.

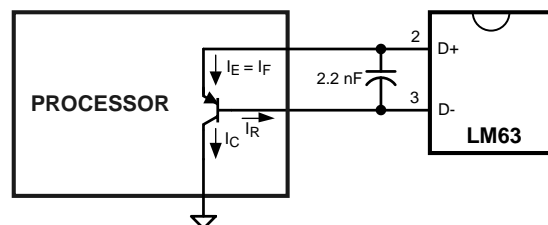


Figure 14. Processor Connection to LM63

A discrete diode can also be used to sense the temperature of external objects or ambient air. Remember that a discrete diode's temperature will be affected, and often dominated by, the temperature of its leads.

Most silicon diodes do not lend themselves well to this application. It is recommended that a diode-connected 2N3904 transistor be used, as shown in [Figure 15](#). The base of the transistor is connected to the collector and becomes the anode. The emitter is the cathode.

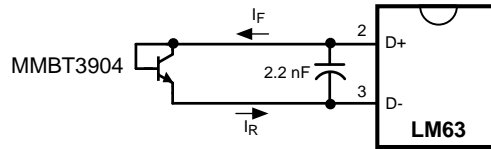


Figure 15. Processor Connection to LM63

A LM63 with a diode-connected 2N3904 transistor approximates the temperature reading of the LM63 with the Pentium 4 processor by 1°C.

$$T_{2N3904} = T_{PENTIUM\ 4} - 1^{\circ}\text{C} \quad (4)$$

DIODE NON-IDEALITY

When a transistor is connected to a diode the following relationship holds for V_{be} , T , and I_F :

$$I_F = I_S \cdot \left[e^{\left(\frac{V_{be}}{\eta \cdot V_T} \right)} - 1 \right]$$

where

$$V_T = \frac{kT}{q}$$

- $q = 1.6 \times 10^{-19}$ Coulombs (the electron charge)
- T = Absolute Temperature in Kelvin
- $k = 1.38 \times 10^{-23}$ joules/K (Boltzmann's constant)
- η is the non-ideality factor of the manufacturing process used to make the thermal diode
- I_S = Saturation Current and is process dependent
- I_f = Forward Current through the base emitter junction
- V_{be} = Base Emitter Voltage Drop

In the active region, the -1 term is negligible and may be eliminated, yielding the following equation

$$I_F = I_S \cdot \left[e^{\left(\frac{V_{be}}{\eta \cdot V_T} \right)} \right] \quad (7)$$

In [Equation 7](#), η and I_S are dependent upon the process that was used in the fabrication of the particular diode. By forcing two currents with a very controlled ratio (N) and measuring the resulting voltage difference, it is possible to eliminate the I_S term. Solving for the forward voltage difference yields the relationship:

$$\Delta V_{be} = \eta \left(\frac{kT}{q} \right) \cdot \ln(N) \quad (8)$$

The voltage seen by the LM63 also includes the $I_F \times R_S$ voltage drop across the internal series resistance of the Pentium 4 processor's thermal diode. The non-ideality factor, η , is the only other parameter not accounted for and depends on the diode that is used for measurement. Since ΔV_{be} is proportional to both η and T , the variations in η cannot be distinguished from variations in temperature. Since the temperature sensor does not control the non-ideality factor, it will directly add to the inaccuracy of the sensor.

For the Intel Pentium 4 and Mobile Pentium 4 Processor-M processors Intel specifies a $\pm 0.1\%$ variation in η from part to part. As an example, assume that a temperature sensor has an accuracy specification of $\pm 1^\circ\text{C}$ at room temperature of 25°C and process used to manufacture the diode has a non-ideality variation of $\pm 0.1\%$. The resulting accuracy will be:

$$T_{ACC} = \pm 1^\circ\text{C} + (\pm 0.1\% \text{ of } 298^\circ\text{K}) = \pm 1.3^\circ\text{C} \quad (9)$$

The additional inaccuracy in the temperature measurement caused by η , can be eliminated if each temperature sensor is calibrated with the remote diode that it will be paired with. Refer to the processor datasheet for the non-ideality factor.

COMPENSATING FOR DIODE NON-IDEALITY

In order to compensate for the errors introduced by non-ideality, the temperature sensor is calibrated for a particular processor. Texas Instruments temperature sensors are always calibrated to the typical non-ideality of a particular processor type.

The LM63 is calibrated for the non-ideality of the 0.13 micron Intel Pentium 4 and Mobile Pentium 4 Processor-M processors.

When a temperature sensor, calibrated for a specific type of processor is used with a different processor type or a given processor type has a non-ideality that strays from the typical value, errors are introduced.

Temperature errors associated with non-ideality may be introduced in a specific temperature range of concern through the use of the Temperature Offset Registers 11_{HEX} and 12_{HEX} .

The user is encouraged to send an e-mail to hardware.monitor.team@ti.com to further request information on our recommended setting of the offset register for different processor types.

PCB LAYOUT FOR MINIMIZING NOISE

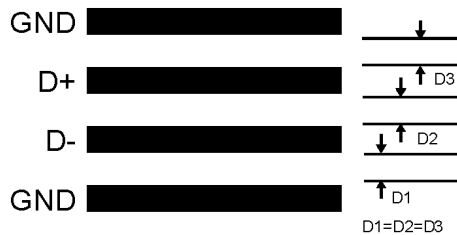


Figure 16. Ideal Diode Trace Layout

In a noisy environment, such as a processor mother board, layout considerations are very critical. Noise induced on traces running between the remote temperature diode sensor and the LM63 can cause temperature conversion errors. Keep in mind that the signal level the LM63 is trying to measure is in microvolts. The following guidelines should be followed:

1. Use a low-noise +3.3VDC power supply, and bypass to GND with a 0.1 μ F ceramic capacitor in parallel with a 100 pF ceramic capacitor. A bulk capacitance of 10 μ F needs to be in the vicinity of the LM63's V_{DD} pin.
2. Place the 100 pF power supply bypass capacitor as close as possible to the V_{DD} pin and the recommended 2.2 nF diode capacitor as close as possible to the LM63's D+ and D- pins. Make sure the traces to the 2.2 nF capacitor are matched.
3. Ideally, the LM63 should be placed within 10 cm of the Processor diode pins with the traces being as straight, short and identical as possible. Trace resistance of 1 Ω can cause as much as 1°C of error. This error can be compensated by using the Remote Temperature Offset Registers, since the value placed in these registers will automatically be subtracted from or added to the remote temperature reading.
4. Diode traces should be surrounded by a GND guard ring to either side, above and below if possible. This GND guard should not be between the D+ and D- lines. In the event that noise does couple to the diode lines it would be ideal if it is coupled common mode. That is equally to the D+ and D- lines.
5. Avoid routing diode traces in close proximity to power supply switching or filtering inductors.
6. Avoid running diode traces close to or parallel to high-speed digital and bus lines. Diode traces should be kept at least 2 cm apart from the high-speed digital traces.
7. If it is necessary to cross high-speed digital traces, the diode traces and the high-speed digital traces should cross at a 90 degree angle.
8. The ideal place to connect the LM63's GND pin is as close as possible to the Processor's GND associated with the sense diode.
9. Leakage current between D+ and GND should be kept to a minimum. One nano-ampere of leakage can cause as much as 1°C of error in the diode temperature reading. Keeping the printed circuit board as clean as possible will minimize leakage current.

Noise coupling into the digital lines greater than 400 mVp-p (typical hysteresis) and undershoot less than 500 mV below GND, may prevent successful SMBus communication with the LM63. SMBus no acknowledge is the most common symptom, causing unnecessary traffic on the bus. Although the SMBus maximum frequency of communication is rather low (100 kHz max), care still needs to be taken to ensure proper termination within a system with multiple parts on the bus and long printed circuit board traces. An RC lowpass filter with a 3 dB corner frequency of about 40 MHz is included on the LM63's SMBCLK input. Additional resistance can be added in series with the SMBData and SMBCLK lines to further help filter noise and ringing. Minimize noise coupling by keeping digital traces out of switching power supply areas as well as ensuring that digital lines containing high-speed data communications cross at right angles to the SMBData and SMBCLK lines.

REVISION HISTORY

| Changes from Revision D (May 2013) to Revision E | Page |
|--|--------------------|
| • Changed layout of National Data Sheet to TI format | 34 |

PACKAGING INFORMATION

| Orderable Device | Status (1) | Package Type | Package Drawing | Pins | Package Qty | Eco Plan (2) | Lead finish/ Ball material (6) | MSL Peak Temp (3) | Op Temp (°C) | Device Marking (4/5) | Samples |
|------------------|---------------|--------------|-----------------|------|-------------|---------------------|--------------------------------------|----------------------|--------------|-------------------------|---------|
| LM63CIMA | NRND | SOIC | D | 8 | 95 | Non-RoHS & Green | Call TI | Level-1-235C-UNLIM | 0 to 125 | LM63 CIMA | |
| LM63CIMAX/NOPB | ACTIVE | SOIC | D | 8 | 2500 | RoHS & Green | SN | Level-1-260C-UNLIM | 0 to 125 | LM63 CIMA | Samples |
| LM63DIMAX/NOPB | ACTIVE | SOIC | D | 8 | 2500 | RoHS & Green | SN | Level-1-260C-UNLIM | 0 to 125 | LM63 DIMA | Samples |

(1) The marketing status values are defined as follows:

ACTIVE: Product device recommended for new designs.

LIFEBUY: TI has announced that the device will be discontinued, and a lifetime-buy period is in effect.

NRND: Not recommended for new designs. Device is in production to support existing customers, but TI does not recommend using this part in a new design.

PREVIEW: Device has been announced but is not in production. Samples may or may not be available.

OBSELETE: TI has discontinued the production of the device.

(2) **RoHS:** TI defines "RoHS" to mean semiconductor products that are compliant with the current EU RoHS requirements for all 10 RoHS substances, including the requirement that RoHS substance do not exceed 0.1% by weight in homogeneous materials. Where designed to be soldered at high temperatures, "RoHS" products are suitable for use in specified lead-free processes. TI may reference these types of products as "Pb-Free".

RoHS Exempt: TI defines "RoHS Exempt" to mean products that contain lead but are compliant with EU RoHS pursuant to a specific EU RoHS exemption.

Green: TI defines "Green" to mean the content of Chlorine (Cl) and Bromine (Br) based flame retardants meet JS709B low halogen requirements of <=1000ppm threshold. Antimony trioxide based flame retardants must also meet the <=1000ppm threshold requirement.

(3) MSL, Peak Temp. - The Moisture Sensitivity Level rating according to the JEDEC industry standard classifications, and peak solder temperature.

(4) There may be additional marking, which relates to the logo, the lot trace code information, or the environmental category on the device.

(5) Multiple Device Markings will be inside parentheses. Only one Device Marking contained in parentheses and separated by a "~" will appear on a device. If a line is indented then it is a continuation of the previous line and the two combined represent the entire Device Marking for that device.

(6) Lead finish/Ball material - Orderable Devices may have multiple material finish options. Finish options are separated by a vertical ruled line. Lead finish/Ball material values may wrap to two lines if the finish value exceeds the maximum column width.

Important Information and Disclaimer:The information provided on this page represents TI's knowledge and belief as of the date that it is provided. TI bases its knowledge and belief on information provided by third parties, and makes no representation or warranty as to the accuracy of such information. Efforts are underway to better integrate information from third parties. TI has taken and continues to take reasonable steps to provide representative and accurate information but may not have conducted destructive testing or chemical analysis on incoming materials and chemicals. TI and TI suppliers consider certain information to be proprietary, and thus CAS numbers and other limited information may not be available for release.

In no event shall TI's liability arising out of such information exceed the total purchase price of the TI part(s) at issue in this document sold by TI to Customer on an annual basis.

TAPE AND REEL INFORMATION

QUADRANT ASSIGNMENTS FOR PIN 1 ORIENTATION IN TAPE


*All dimensions are nominal

| Device | Package Type | Package Drawing | Pins | SPQ | Reel Diameter (mm) | Reel Width W1 (mm) | A0 (mm) | B0 (mm) | K0 (mm) | P1 (mm) | W (mm) | Pin1 Quadrant |
|----------------|--------------|-----------------|------|------|--------------------|--------------------|---------|---------|---------|---------|--------|---------------|
| LM63CIMAX/NOPB | SOIC | D | 8 | 2500 | 330.0 | 12.4 | 6.5 | 5.4 | 2.0 | 8.0 | 12.0 | Q1 |
| LM63DIMAX/NOPB | SOIC | D | 8 | 2500 | 330.0 | 12.4 | 6.5 | 5.4 | 2.0 | 8.0 | 12.0 | Q1 |

TAPE AND REEL BOX DIMENSIONS


*All dimensions are nominal

| Device | Package Type | Package Drawing | Pins | SPQ | Length (mm) | Width (mm) | Height (mm) |
|----------------|--------------|-----------------|------|------|-------------|------------|-------------|
| LM63CIMAX/NOPB | SOIC | D | 8 | 2500 | 367.0 | 367.0 | 35.0 |
| LM63DIMAX/NOPB | SOIC | D | 8 | 2500 | 367.0 | 367.0 | 35.0 |

TUBE


*All dimensions are nominal

| Device | Package Name | Package Type | Pins | SPQ | L (mm) | W (mm) | T (μm) | B (mm) |
|----------|--------------|--------------|------|-----|--------|--------|--------|--------|
| LM63CIMA | D | SOIC | 8 | 95 | 495 | 8 | 4064 | 3.05 |
| LM63CIMA | D | SOIC | 8 | 95 | 495 | 8 | 4064 | 3.05 |



D0008A

PACKAGE OUTLINE

SOIC - 1.75 mm max height

SMALL OUTLINE INTEGRATED CIRCUIT



4214825/C 02/2019

NOTES:

- Linear dimensions are in inches [millimeters]. Dimensions in parenthesis are for reference only. Controlling dimensions are in inches. Dimensioning and tolerancing per ASME Y14.5M.
- This drawing is subject to change without notice.
- This dimension does not include mold flash, protrusions, or gate burrs. Mold flash, protrusions, or gate burrs shall not exceed $.006$ [0.15] per side.
- This dimension does not include interlead flash.
- Reference JEDEC registration MS-012, variation AA.

EXAMPLE BOARD LAYOUT

D0008A

SOIC - 1.75 mm max height

SMALL OUTLINE INTEGRATED CIRCUIT



LAND PATTERN EXAMPLE
 EXPOSED METAL SHOWN
 SCALE:8X



SOLDER MASK DETAILS

4214825/C 02/2019

NOTES: (continued)

- 6. Publication IPC-7351 may have alternate designs.
- 7. Solder mask tolerances between and around signal pads can vary based on board fabrication site.

EXAMPLE STENCIL DESIGN

D0008A

SOIC - 1.75 mm max height

SMALL OUTLINE INTEGRATED CIRCUIT



SOLDER PASTE EXAMPLE
BASED ON .005 INCH [0.125 MM] THICK STENCIL
SCALE:8X

4214825/C 02/2019

NOTES: (continued)

8. Laser cutting apertures with trapezoidal walls and rounded corners may offer better paste release. IPC-7525 may have alternate design recommendations.
9. Board assembly site may have different recommendations for stencil design.

IMPORTANT NOTICE AND DISCLAIMER

TI PROVIDES TECHNICAL AND RELIABILITY DATA (INCLUDING DATA SHEETS), DESIGN RESOURCES (INCLUDING REFERENCE DESIGNS), APPLICATION OR OTHER DESIGN ADVICE, WEB TOOLS, SAFETY INFORMATION, AND OTHER RESOURCES "AS IS" AND WITH ALL FAULTS, AND DISCLAIMS ALL WARRANTIES, EXPRESS AND IMPLIED, INCLUDING WITHOUT LIMITATION ANY IMPLIED WARRANTIES OF MERCHANTABILITY, FITNESS FOR A PARTICULAR PURPOSE OR NON-INFRINGEMENT OF THIRD PARTY INTELLECTUAL PROPERTY RIGHTS.

These resources are intended for skilled developers designing with TI products. You are solely responsible for (1) selecting the appropriate TI products for your application, (2) designing, validating and testing your application, and (3) ensuring your application meets applicable standards, and any other safety, security, regulatory or other requirements.

These resources are subject to change without notice. TI grants you permission to use these resources only for development of an application that uses the TI products described in the resource. Other reproduction and display of these resources is prohibited. No license is granted to any other TI intellectual property right or to any third party intellectual property right. TI disclaims responsibility for, and you will fully indemnify TI and its representatives against, any claims, damages, costs, losses, and liabilities arising out of your use of these resources.

TI's products are provided subject to [TI's Terms of Sale](#) or other applicable terms available either on [ti.com](https://www.ti.com) or provided in conjunction with such TI products. TI's provision of these resources does not expand or otherwise alter TI's applicable warranties or warranty disclaimers for TI products.

TI objects to and rejects any additional or different terms you may have proposed.

Mailing Address: Texas Instruments, Post Office Box 655303, Dallas, Texas 75265
Copyright © 2024, Texas Instruments Incorporated