

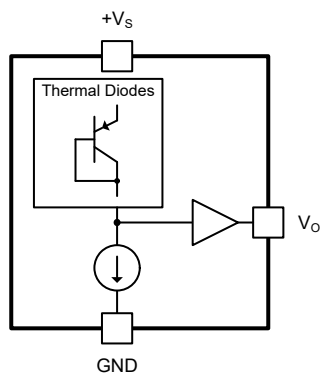
LM60 2.7V, SOT-23 或是 TO-92 温度传感器

1 特性

- 行业标准级传感器增益/偏移：
 - 6.25mV/°C, 0°C 下 424mV
- LM60B 温度精度：
 - 25°C 时：±2°C (最大值)
 - -25°C 到 +125°C 时 (旧芯片) 和 -40°C 到 +125°C (新芯片) 时：±3°C (最大值)
- LM60C 温度精度：
 - 25°C 时：±3°C (最大值)
 - -40°C 至 +125°C 时：±4°C (最大值)
- 宽电源电压范围：2.7V 至 10V
- 25°C 时的静态电流：110 μA (最大值/旧芯片) 和 70 μA (最大值/新芯片)
- 可用封装选项：
 - SOT-23 (3 引脚)
 - TO-92 (3 引脚、直引线)
 - TO-92 (3 引脚、成型引线)
- 非线性度：±0.8°C (最大值)
- 输出直流阻抗：120 Ω / 800 Ω (典型值/最大值)
- 适用于远程应用

2 应用

- 手机、PC 和笔记本电脑
- 电源模块
- 电池管理
- 家用和多功能打印机
- HVAC 和固态硬盘
- 电器



简化版原理图

3 说明

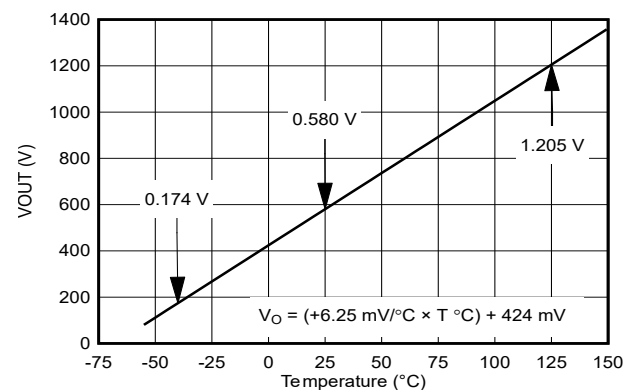
LM60 器件是一种精密集成电路温度传感器，可在 2.7V 至 10V 单电源供电时检测 -40°C 至 +125°C 的温度范围。该器件的输出电压是与摄氏温度 (6.25mV/°C) 成线性比例，并具有 424mV 的直流偏移量。该偏移量允许在无需负电源的情况下即可读取负温度。对于 -40°C 至 +125°C 的温度范围，此器件的额定输出电压范围介于 174mV 至 1205mV 之间。该器件经过校准，在室温下的精度为 ±2°C，在全温度范围内的精度为 ±3°C。其中旧芯片的温度范围为 -25°C 至 +125°C，新芯片的温度范围为 -40°C 至 +125°C。

该器件的线性输出、424mV 偏移量和工厂校准简化了在单电源环境中读取负温度所需的外部电路。由于器件的静态电流小于 110 μA (旧芯片) 和 70 μA (新芯片)，因此在 SOT-23 封装中，在静止空气中的自发热被限制在非常低的 0.1°C。该器件本身就具备关断功能，因为其固有的低功耗特性使得该器件可直接通过许多逻辑门的输出供电。

封装信息

器件型号	封装 ⁽¹⁾	封装尺寸 ⁽²⁾
LM60	LP (TO-92, 3)	4.83mm × 7.37mm
	DBZ (SOT-23, 3)	2.37mm × 2.92mm

- 如需了解所有可用封装，请参阅数据表末尾的可订购产品附录。
- 封装尺寸 (长 × 宽) 为标称值，并包括引脚 (如适用)。



全量程摄氏温度传感器
(-40°C 至 +125°C)



Table of Contents

1 特性	1	8 Application and Implementation	11
2 应用	1	8.1 Application Information.....	11
3 说明	1	8.2 Typical Applications.....	12
4 Device Comparison	3	8.3 System Examples.....	14
5 Pin Configuration and Functions	3	8.4 Power Supply Recommendations.....	14
6 Specifications	4	8.5 Layout.....	14
6.1 Absolute Maximum Ratings.....	4	9 Device and Documentation Support	17
6.2 ESD Ratings.....	4	9.1 Documentation Support.....	17
6.3 Recommended Operating Conditions.....	4	9.2 接收文档更新通知.....	17
6.4 Thermal Information.....	4	9.3 支持资源.....	17
6.5 Electrical Characteristics.....	5	9.4 Trademarks.....	17
6.6 Typical Characteristics.....	6	9.5 静电放电警告.....	17
7 Detailed Description	10	9.6 术语表.....	17
7.1 Overview.....	10	10 Revision History	17
7.2 Functional Block Diagram.....	10	11 Mechanical, Packaging, and Orderable Information	18
7.3 Feature Description.....	10		
7.4 Device Functional Modes.....	10		

4 Device Comparison

表 4-1. Device Comparison

ORDER NUMBER	PACKAGE	ACCURACY OVER TEMPERATURE	SPECIFIED TEMPERATURE RANGE
LM60BIM3X/NOPB	SOT-23 (DBZ) 3-pin	$\pm 3^{\circ}\text{C}$	$- 25^{\circ}\text{C} \leq T_A \leq +125^{\circ}\text{C}^{(1)}$ (Legacy chip)
LM60CIM3X/NOPB			$- 40^{\circ}\text{C} \leq T_A \leq +125^{\circ}\text{C}$ (New chip)
LM60QIM3X/NOPB		$\pm 4^{\circ}\text{C}$	$- 40^{\circ}\text{C} \leq T_A \leq +125^{\circ}\text{C}$
LM60BIZ/LFT3	TO-92 (LP) 3-pin Formed Leads	$\pm 3^{\circ}\text{C}$	$- 25^{\circ}\text{C} \leq T_A \leq +125^{\circ}\text{C}^{(1)}$ (Legacy chip)
LM60BIZ/NOPB			$- 40^{\circ}\text{C} \leq T_A \leq +125^{\circ}\text{C}$ (New chip)
LM60CIZ/NOPB	TO-92 (LP) 3-pin Straight Leads	$\pm 4^{\circ}\text{C}$	$- 25^{\circ}\text{C} \leq T_A \leq +125^{\circ}\text{C}^{(1)}$ (Legacy chip)
LM60QIZ/NOPB			$- 40^{\circ}\text{C} \leq T_A \leq +125^{\circ}\text{C}$ (New chip)

(1) LM60B (Legacy chip) operates down to $- 40^{\circ}\text{C}$ without damage but the accuracy is only verified from $- 25^{\circ}\text{C}$ to 125°C .

表 4-2. Device Nomenclature

PRODUCT	OUT
LM60xlyyy/NOPB LM60xlyyy/LFT3	<p>x indicates that the device has B, C or Q (grade-1 device in accordance with the AEC-Q100 standard) variant. These devices can ship with the legacy chip (CSO: GF6 or SHE) or the new chip (CSO: RFB) with different <i>date code</i>. The reel packaging label provides date code information to distinguish which chip is being used. Device performance for new and legacy chips is denoted throughout the document.</p> <p>yyy indicates that the package type of the device which can be M3X/NOPB (SOT-23 3-pin) or Z/LFT3 (TO-92 3-pin Formed Leads) or Z/NOPB (TO-92 3-pin Straight Leads).</p> <p>For more information on TO-92 package options please see: TO-92 Packing Options / Ordering Instructions</p>

5 Pin Configuration and Functions

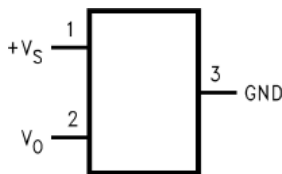


图 5-1. DBZ Package
3-Pin SOT-23
Top View

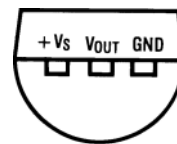


图 5-2. LP Package
3-Pin TO-92
(Formed Leads and Straight Leads)
Bottom View

表 5-1. Pin Functions

PIN			TYPE	DESCRIPTION
NAME	SOT-23	TO-92		
GND	3	3	GND	Device ground, connected to power supply negative terminal
V _{OUT}	2	2	O	Temperature sensor analog output
+V _S	1	1	POWER	Positive power supply pin

6 Specifications

6.1 Absolute Maximum Ratings

Over operating free-air temperature range unless otherwise noted⁽¹⁾

		MIN	MAX	UNIT
Supply voltage, +V _S	LM60	-0.2	12	V
Output voltage, V _O		-0.6	+V _S + 0.6	V
Output current, I _{OUT}			10	mA
Input current at any pin ⁽²⁾			5	mA
Maximum junction temperature, T _{JMAX}			125	°C
Storage temperature, T _{stg}		-65	150	°C

- Operation outside the *Absolute Maximum Ratings* may cause permanent device damage. *Absolute Maximum Ratings* do not imply functional operation of the device at these or any other conditions beyond those listed under *Recommended Operating Conditions*. If used outside the *Recommended Operating Conditions* but within the *Absolute Maximum Ratings*, the device may not be fully functional, and this may affect device reliability, functionality, performance, and shorten the device lifetime.
- When the input voltage (V_I) at any pin exceeds power supplies (V_I < GND or V_I > +V_S), the current at that pin must be limited to 5mA.

6.2 ESD Ratings

			VALUE	UNIT
V _(ESD) , Electrostatic discharge	LM60 (DBZ Package)	Human-body model (HBM), per ANSI/ESDA/JEDEC JS-001 ⁽¹⁾	±2500	V
		Charged-device model (CDM), per JEDEC specification JESD22-C101 ⁽²⁾	±1000	
	LM60 (LP Package)	Human-body model (HBM), per ANSI/ESDA/JEDEC JS-001 ⁽¹⁾	±2500	
		Charged-device model (CDM), per JEDEC specification JESD22-C101 ⁽²⁾	±1000	

- JEDEC document JEP155 states that 500V HBM allows safe manufacturing with a standard ESD control process.
- JEDEC document JEP157 states that 250V CDM allows safe manufacturing with a standard ESD control process.

6.3 Recommended Operating Conditions

Over operating free-air temperature range (unless otherwise noted)⁽¹⁾

			MIN	MAX	UNIT	
+V _S	Supply voltage	LM60	2.7	10	V	
T _A , (T _{MIN} ≤ T _A ≤ T _{MAX})	Specified temperature	LM60B	Legacy chip	-25 ⁽²⁾	125	°C
		LM60B	New chip	-40	125	°C
		LM60C		-40	125	°C

- Soldering process must comply with National Semiconductor's Reflow Temperature Profile specifications. Refer to www.national.com/packaging. Reflow temperature profiles are different for lead-free and non-lead-free packages.
- LM60B (Legacy chip) operates down to -40°C without damage but the accuracy is only ensured from -25°C to 125°C.

6.4 Thermal Information

THERMAL METRIC ⁽¹⁾		LM60				UNIT
		DBZ (SOT-23) 3 PINS		LP (TO-92) 3 PINS		
		Legacy chip	New chip	Legacy chip	New chip	
R _{θJA} ⁽²⁾	Junction-to-ambient thermal resistance	266	240.6	162	135.9	°C/W
R _{θJC(top)}	Junction-to-case (top) thermal resistance	135	144.5	85	109.1	°C/W
R _{θJB}	Junction-to-board thermal resistance	59	72.3	-	108.9	°C/W
ψ _{JT}	Junction-to-top characterization parameter	18	28.7	29	24.6	°C/W
ψ _{JB}	Junction-to-board characterization parameter	58	71.7	142	108.9	°C/W

- For more information about traditional and new thermal metrics, see the [Semiconductor and IC Package Thermal Metrics](#) application note.

(2) The junction to ambient thermal resistance ($R_{\theta JA}$) is specified without a heat sink in still air.

6.5 Electrical Characteristics

Unless otherwise noted, these specifications apply for $+V_S = 3V$ (DC) and $I_{LOAD} = 1 \mu A$. All limits $T_A = T_J = 25^\circ C$ unless otherwise noted.

PARAMETER		TEST CONDITIONS		MIN ⁽¹⁾	TYP ⁽²⁾	MAX ⁽¹⁾	UNIT	
SENSOR ACCURACY								
T_{ACY}	Temperature accuracy ⁽³⁾	LM60B ⁽⁴⁾		-2		2	°C	
			$T_A = T_J = T_{MIN}$ to T_{MAX}	-3		3		
		LM60C		-3		3		
			$T_A = T_J = T_{MIN}$ to T_{MAX}	-4		4		
SENSOR OUTPUT								
$V_{0^\circ C}$	Output voltage offset at 0°C				424		mV	
T_C	Temperature coefficient (sensor gain)				6.25		mV/°C	
		LM60B	$T_A = T_J = T_{MIN}$ to T_{MAX}	6.06		6.44		
		LM60C	$T_A = T_J = T_{MIN}$ to T_{MAX}	6		6.5		
V_{ONL}	Output Nonlinearity ⁽⁵⁾	LM60B	$T_A = T_J = T_{MIN}$ to T_{MAX}	-0.6		0.6	°C	
		LM60C	$T_A = T_J = T_{MIN}$ to T_{MAX}	-0.8		0.8		
Z_{OUT}	Output impedance					800	Ω	
T_{LTD}	Long-term stability and drift ⁽⁶⁾	$T_J = T_{MAX} = 125^\circ C$ for 1000 hours			± 0.2		°C	
POWER SUPPLY								
I_{DD}	Operating current	LM60, $2.7V \leq +V_S \leq 10V$	Legacy chip		82	110	μA	
			New chip		52	70		
			$T_A = T_J = T_{MIN}$ to T_{MAX}	Legacy chip				125
			$T_A = T_J = T_{MIN}$ to T_{MAX}	New chip				90
PSR	Line regulation ⁽⁷⁾	LM60, $2.7V \leq +V_S \leq 3.3V$	$T_A = T_J = T_{MIN}$ to T_{MAX}	-2.3		2.3	mV	
		LM60, $3V \leq +V_S \leq 10V$	$T_A = T_J = T_{MIN}$ to T_{MAX}	-0.3		0.3	mV/V	
ΔI_{DD}	Change of quiescent current	LM60, $2.7V \leq +V_S \leq 10V$	Legacy chip		± 5		μA	
			New chip		± 6.5			
$I_{DD_TEM P}$	Temperature coefficient of quiescent current				0.2		$\mu A/^\circ C$	

- (1) Limits are specified to TI's AOQL (Average Outgoing Quality Level).
- (2) Typical values are at $T_J = T_A = 25^\circ C$ and represent most likely parametric norm.
- (3) Accuracy is defined as the error between the output voltage and $6.25mV/^\circ C$ times the case temperature of the device plus 424mV, at specified conditions of voltage, current, and temperature (expressed in $^\circ C$).
- (4) LM60B (Legacy chip) operates down to $-40^\circ C$ without damage but the accuracy is only verified from $-25^\circ C$ to $125^\circ C$. However, LM60B (New chip) specs are verified from $-40^\circ C$ to $125^\circ C$.
- (5) Nonlinearity is defined as the deviation of the output-voltage-versus-temperature curve from the best-fit straight line, over the rated temperature rating of the device.
- (6) For best long-term stability, any precision circuit provides the best results if the unit is aged at a warm temperature, temperature cycled for at least 46 hours before long-term life test begins for both temperatures. This is especially true when a small (surface-mount) part is wave soldered; allow time for stress relaxation to occur. The majority of the drift will occur in the first 1000 hours at elevated temperatures. The drift after 1000 hours will not continue at the first 1000 hour rate.
- (7) Regulation is measured at constant junction temperature, using pulse testing with a low duty cycle. Changes in output due to heating effects can be computed by multiplying the internal dissipation by the thermal resistance.

6.6 Typical Characteristics

To generate these curves, the device is mounted to a printed-circuit board as shown in 图 8-9 or 图 8-10.

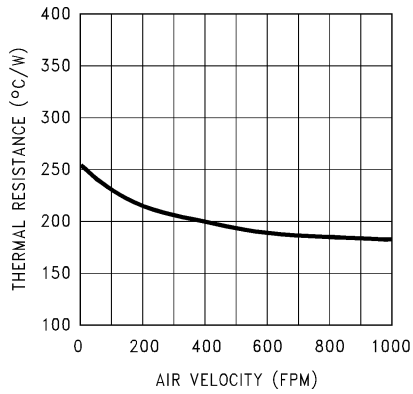


图 6-1. Thermal Resistance Junction to Air (Legacy chip)

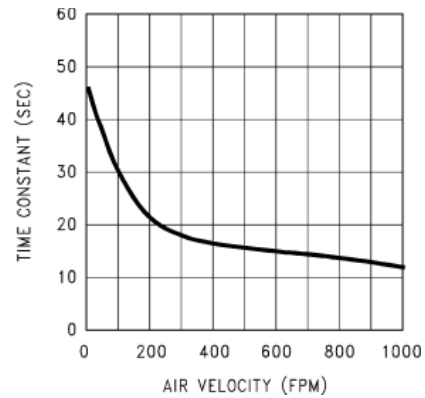


图 6-2. Thermal Time Constant (Legacy chip)

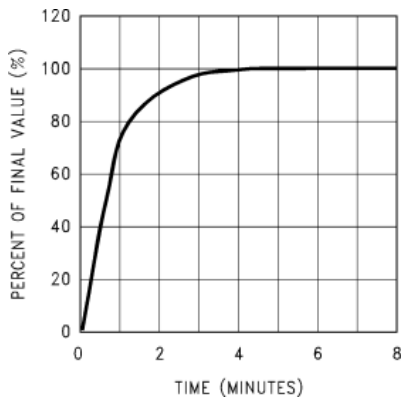


图 6-3. Thermal Response in Still Air With Heat Sink (Legacy chip)

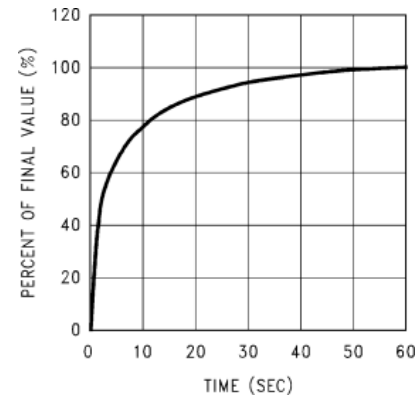


图 6-4. Thermal Response in Stirred Oil Bath With Heat Sink (Legacy chip)

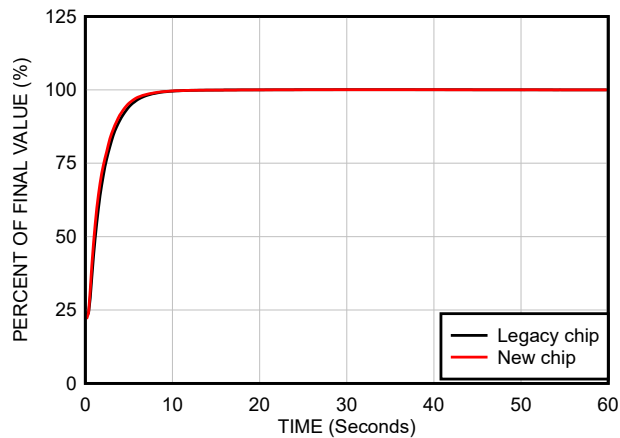


图 6-5. Thermal Response in Stirred Oil Bath With Heat Sink (0.5 inches x 0.5 inches PCB board)

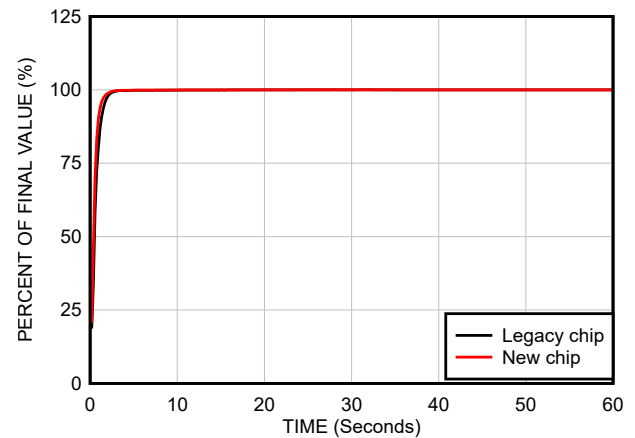


图 6-6. Thermal Response in Stirred Oil Bath Without Heat Sink

6.6 Typical Characteristics (continued)

To generate these curves, the device is mounted to a printed-circuit board as shown in 图 8-9 or 图 8-10.

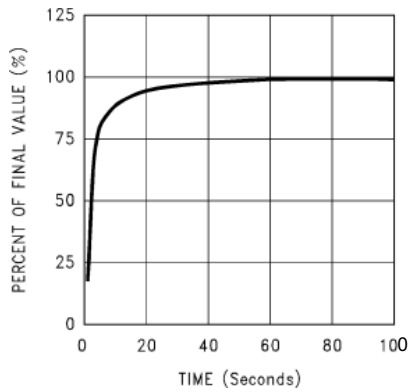


图 6-7. Thermal Response in Still Air Without a Heat Sink (Legacy chip)

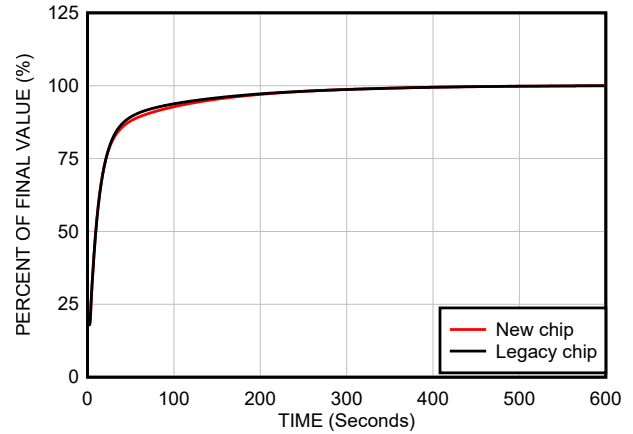


图 6-8. Thermal Response in Still Air Without a Heat Sink (Both Legacy and New chip in the new test setup)

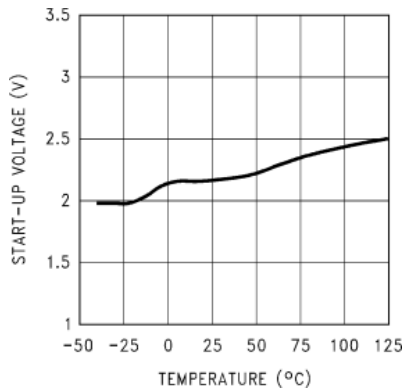


图 6-9. Start-Up Voltage vs Temperature (Legacy chip)

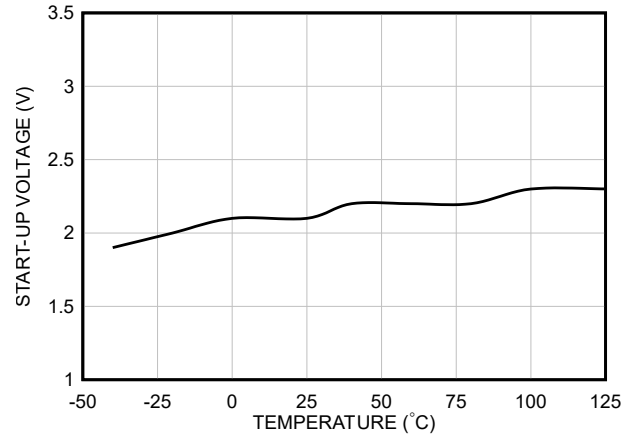


图 6-10. Start-Up Voltage vs Temperature (New chip)

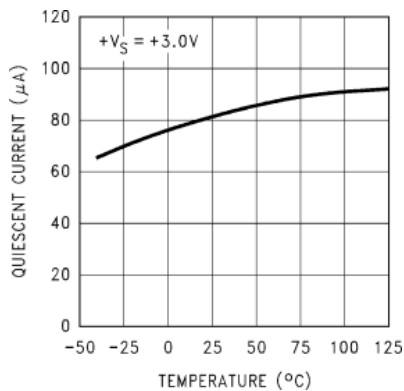


图 6-11. Quiescent Current vs Temperature (Legacy chip)

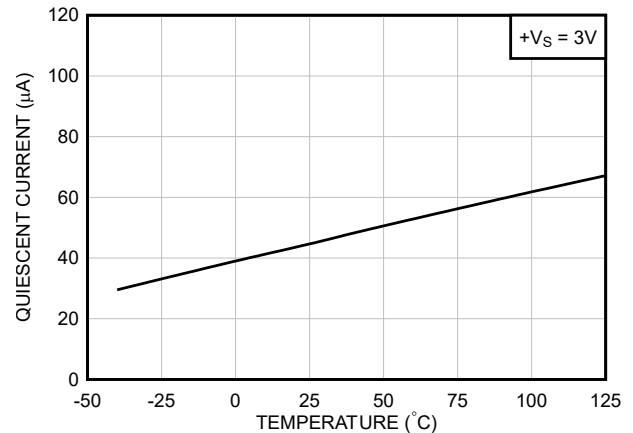


图 6-12. Quiescent Current vs Temperature (New chip)

6.6 Typical Characteristics (continued)

To generate these curves, the device is mounted to a printed-circuit board as shown in 图 8-9 或 图 8-10.

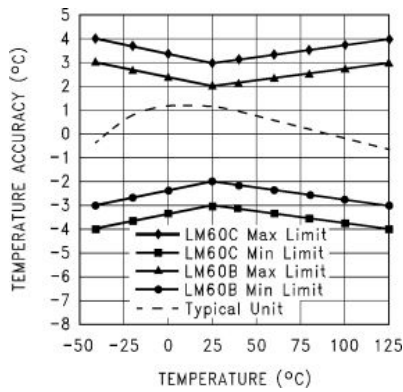


图 6-13. Accuracy vs Temperature (Legacy chip)

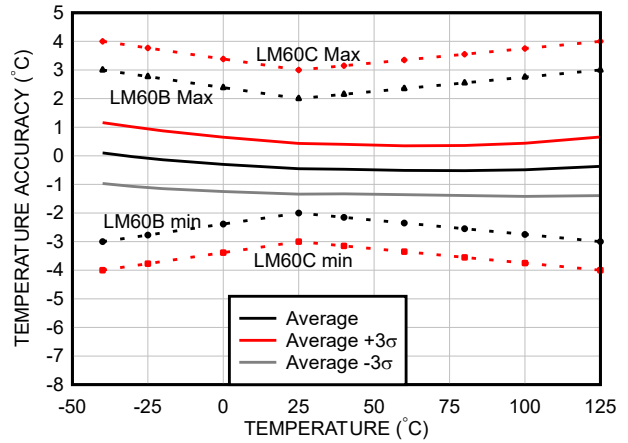


图 6-14. Accuracy vs Temperature (New chip)

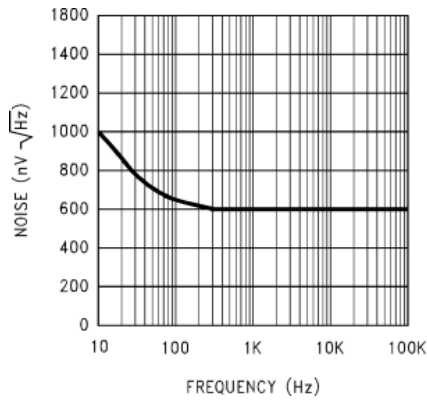


图 6-15. Noise Voltage (Legacy chip)

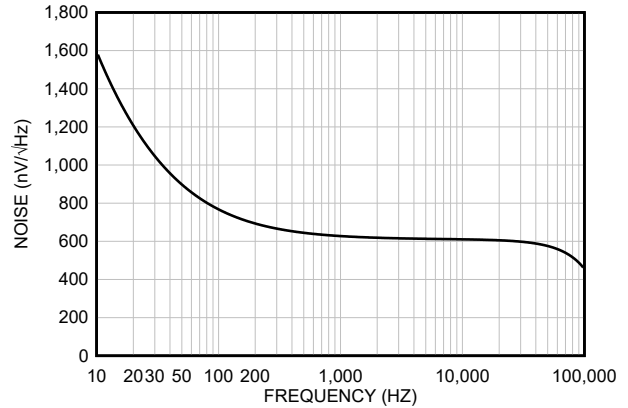


图 6-16. Noise Voltage (New chip)

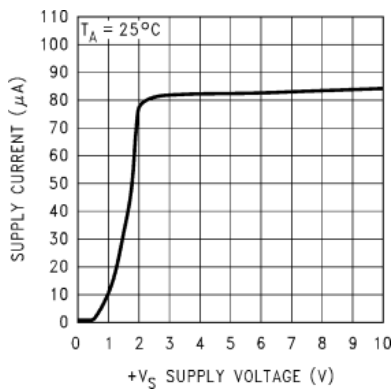


图 6-17. Supply Current vs Supply Voltage (Legacy chip)

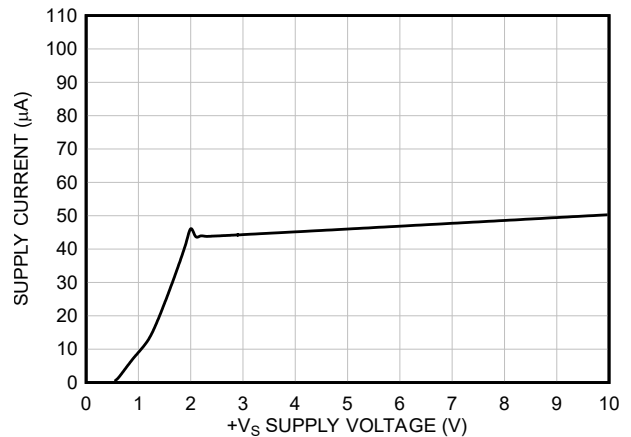
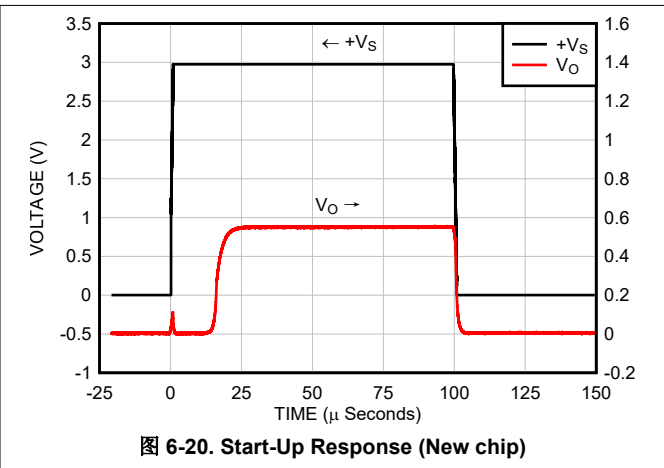
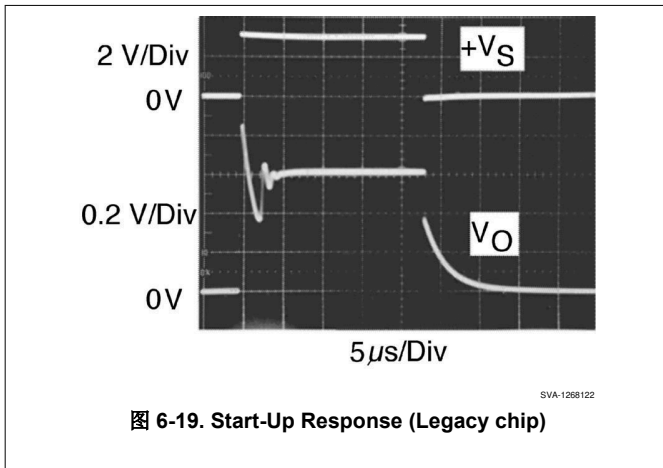


图 6-18. Supply Current vs Supply Voltage (New chip)

6.6 Typical Characteristics (continued)

To generate these curves, the device is mounted to a printed-circuit board as shown in 图 8-9 or 图 8-10.



7 Detailed Description

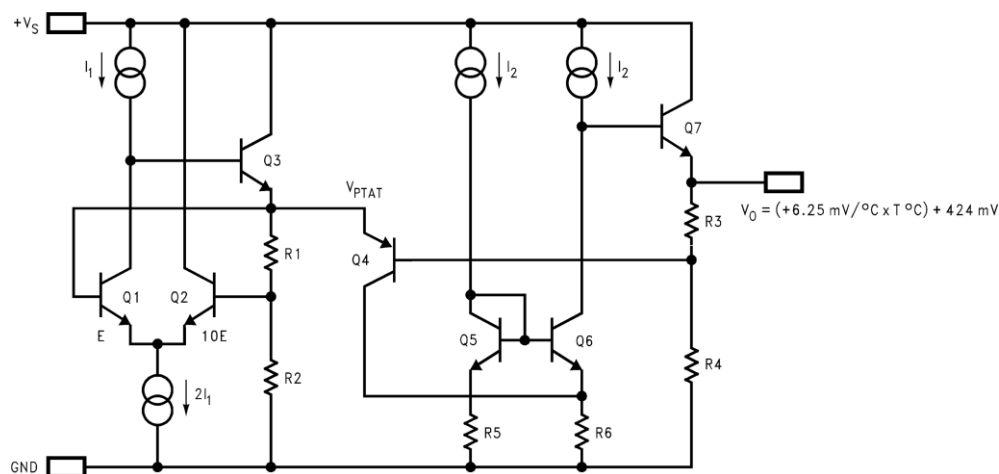
7.1 Overview

The LM60 device is a precision analog bipolar temperature sensor that can sense a -40°C to $+125^{\circ}\text{C}$ temperature range while operating from a single 2.7V supply. The output voltage of the LM60 is linearly proportional to Celsius (Centigrade) temperature ($6.25\text{mV}/^{\circ}\text{C}$) and has a DC offset of 424mV. The offset allows reading negative temperatures with a single positive supply. The nominal output voltage of the device ranges from 174mV to 1205mV for a -40°C to $+125^{\circ}\text{C}$ temperature range. The device is calibrated to provide accuracies of $\pm 2.0^{\circ}\text{C}$ at room temperature and $\pm 3^{\circ}\text{C}$ over the full -25°C to $+125^{\circ}\text{C}$ (for Legacy chip) or -40°C to $+125^{\circ}\text{C}$ (for New chip) temperature range.

With a quiescent current of the device is less than $110\ \mu\text{A}$ (for Legacy chip) and $70\ \mu\text{A}$ (for New chip), self-heating is limited to a very low 0.1°C in still air in the SOT-23 package. Shutdown capability for the device is intrinsic because the inherent low power consumption allows the device to be powered directly from the output of many logic gates.

The output of the LM60 is a Class A base emitter follower, thus the LM60 can source quite a bit of current while sinking less than $1\ \mu\text{A}$. In any event load current must be minimized to limit the contribution to the total temperature error.

7.2 Functional Block Diagram



7.3 Feature Description

7.3.1 LM60 Transfer Function

The LM60 follows a simple linear transfer function to achieve the accuracy as listed in [§ 6.5](#) as given:

$$V_O = (6.25\text{mV}/^{\circ}\text{C} \times T\ ^{\circ}\text{C}) + 424\text{mV} \quad (1)$$

where

- T is the temperature
- V_O is the LM60 output voltage

7.4 Device Functional Modes

The only functional mode for this device is an analog output directly proportional to temperature.

8 Application and Implementation

备注

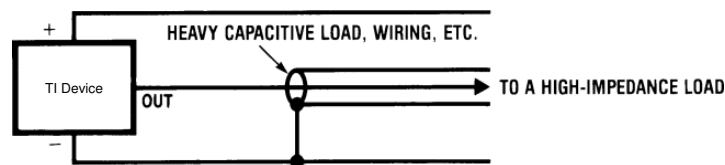
以下应用部分中的信息不属于 TI 器件规格的范围，TI 不担保其准确性和完整性。TI 的客户应负责确定器件是否适用于其应用。客户应验证并测试其设计，以确保系统功能。

8.1 Application Information

The device has a low supply current and a wide supply range, therefore it can easily be driven by a battery.

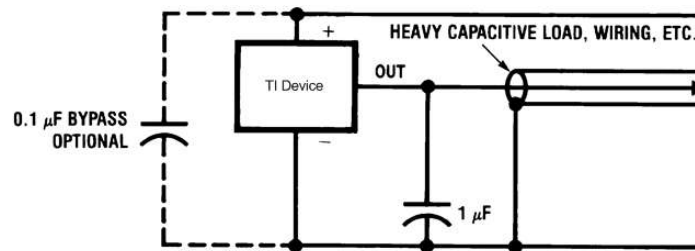
8.1.1 Capacitive Loads

The device handles capacitive loading well. Without any special precautions, the device can drive any capacitive load as shown in 图 8-1. Over the specified temperature range the device has a maximum output impedance of $800\ \Omega$. In an extremely noisy environment, adding some filtering to minimize noise pick-up can be required. TI recommends that $0.1\ \mu\text{F}$ be added from $+V_S$ to GND to bypass the power supply voltage, as shown in 图 8-2. In a noisy environment, adding a capacitor from the output to ground can be required. A $1\ \mu\text{F}$ output capacitor with the $800\ \Omega$ output impedance forms a 199Hz, low-pass filter. Because the thermal time constant of the device is much slower than the 6.3ms time constant formed by the RC, the overall response time of the device is not be significantly affected. For much larger capacitors, this additional time lag increases the overall response time of the device.



Copyright © 2017, Texas Instruments Incorporated

图 8-1. No Decoupling Required for Capacitive Load



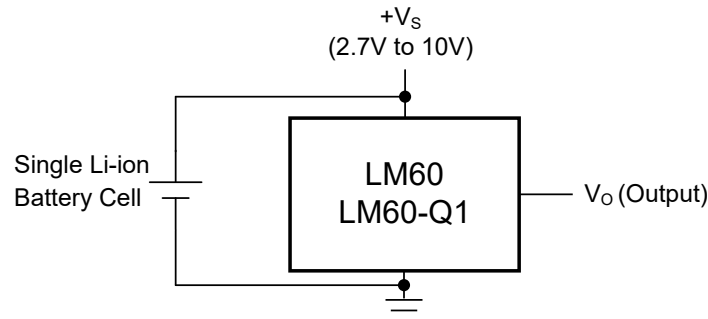
Copyright © 2017, Texas Instruments Incorporated

图 8-2. Filter Added for Noisy Environment

8.2 Typical Applications

8.2.1 Full-Range Centigrade Temperature Sensor

Because the LM60 is a simple temperature sensor that provides an analog output, design requirements related to the layout are also important. Refer to [§ 8.5](#) for details.



$$V_O = (6.25\text{mV}/^\circ\text{C} \times T^\circ\text{C}) + 424\text{mV}$$

**图 8-3. Full-Range Centigrade Temperature Sensor (–40°C to +125°C)
Operating From a Single Li-Ion Battery Cell**

8.2.1.1 Design Requirements

For this design example, use the design parameters listed in [表 8-1](#).

表 8-1. Temperature and Typical V_O Values of [图 8-3](#)

TEMPERATURE (T)	TYPICAL V _O
125°C	1205mV
100°C	1049mV
25°C	580mV
0°C	424mV
– 25°C	268mV
– 40°C	174mV

8.2.1.2 Detailed Design Procedure

Selection of the LM60 is based on the output voltage transfer function being able to meet the needs of the rest of the system.

8.2.1.3 Application Curve

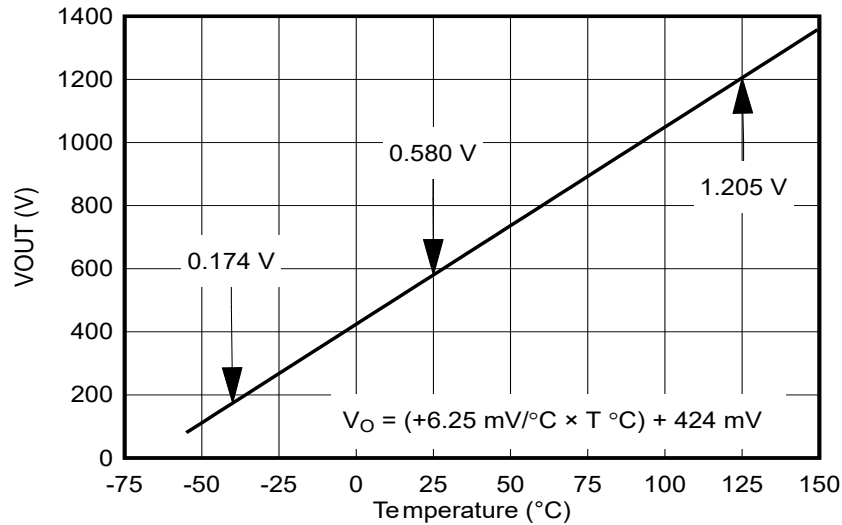
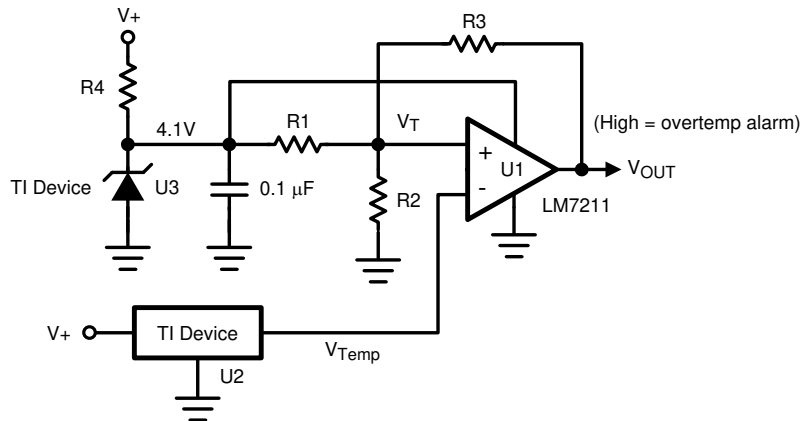


图 8-4. LM60 Output Transfer Function

8.2.2 Centigrade Thermostat Application



Copyright © 2017, Texas Instruments Incorporated

图 8-5. Centigrade Thermostat

8.2.2.1 Design Requirements

A simple thermostat can be created by using a reference (LM4040) and a comparator (LM7211 or LMC7211-N) as shown in 图 8-5.

8.2.2.2 Detailed Design Procedure

Use 方程式 2 and 方程式 3 to calculate the threshold values for T1 and T2.

$$V_{T1} = \frac{(4.1)R2}{R2 + R1 \parallel R3} \quad (2)$$

$$V_{T2} = \frac{(4.1)R2 \parallel R3}{R1 + R2 \parallel R3} \quad (3)$$

8.2.2.3 Application Curve

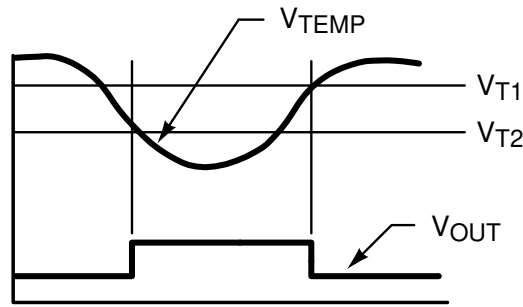
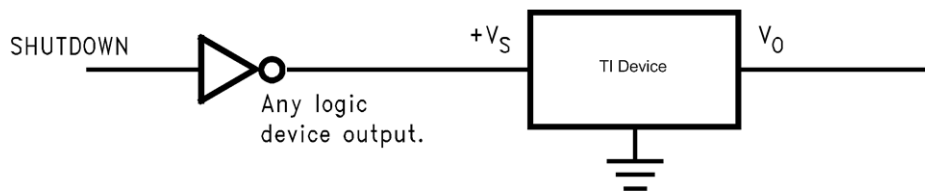


图 8-6. Thermostat Output Waveform

8.3 System Examples

8.3.1 Conserving Power Dissipation With Shutdown

The LM60 draws very little power, therefore the device can simply be shutdown by driving the LM60 supply pin with the output of a logic gate as shown in 图 8-7.



Copyright © 2017, Texas Instruments Incorporated

图 8-7. Conserving Power Dissipation With Shutdown

8.4 Power Supply Recommendations

In an extremely noisy environment, add some filtering to minimize noise pick-up. Adding $0.1\ \mu\text{F}$ from $+V_S$ to GND is recommended to bypass the power supply voltage, as shown in 图 8-2. In a noisy environment, add a capacitor from the output to ground.

8.5 Layout

8.5.1 Layout Guidelines

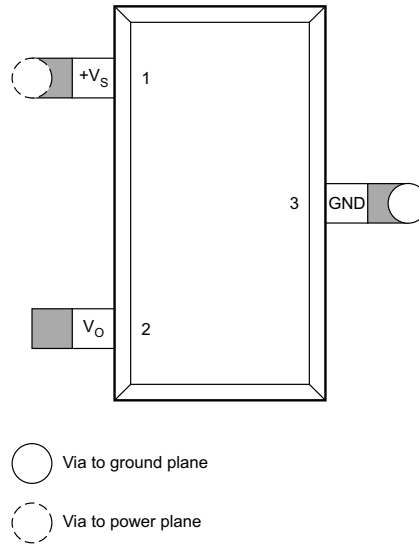
The LM60 can be applied easily in the same way as other integrated-circuit temperature sensors. The device can be glued or cemented to a surface. The temperature that the LM60 is sensing is within approximately $+0.1^\circ\text{C}$ of the surface temperature that the leads of the LM60 are attached to.

This presumes that the ambient air temperature is almost the same as the surface temperature. If the air temperature is much higher or lower than the surface temperature, the actual temperature of the device die is at an intermediate temperature between the surface temperature and the air temperature.

To provide good thermal conductivity, the backside of the device die is directly attached to the GND pin. The lands and traces to the device are part of the printed-circuit board, which is the object whose temperature is being measured. These printed-circuit board lands and traces do not cause the temperature of the device to deviate from the desired temperature.

Alternatively, the device can be mounted inside a sealed-end metal tube, and can then be dipped into a bath or screwed into a threaded hole in a tank. As with any IC, the device and accompanying wiring and circuits must be kept insulated and dry to avoid leakage and corrosion. Specifically when the device operates at cold temperatures where condensation can occur. Printed-circuit coatings and varnishes such as a conformal coating and epoxy paints or dips are often used to verify that moisture cannot corrode the device or connections.

8.5.2 Layout Example



1/2-inch square printed circuit board with 2-oz. copper foil or similar.

图 8-8. PCB Layout

8.5.3 Thermal Considerations

The thermal resistance junction to ambient ($R_{\theta JA}$) is the parameter used to calculate the rise of a device junction temperature due to the device power dissipation. Use 方程式 4 to calculate the rise in the die temperature of the device.

$$T_J = T_A + R_{\theta JA} [(+V_S I_Q) + (+V_S - V_O) I_L] \quad (4)$$

where

- I_Q is the quiescent current
- I_L is the load current on the output

表 8-2 summarizes the rise in die temperature of the LM60 without any loading, and the thermal resistance for different conditions. The values in 表 8-2 were actually measured where as the values shown in 节 6.4 were calculated using modeling methods as described in the *Semiconductor and IC Package Thermal Metrics* (SPRA953) application report.

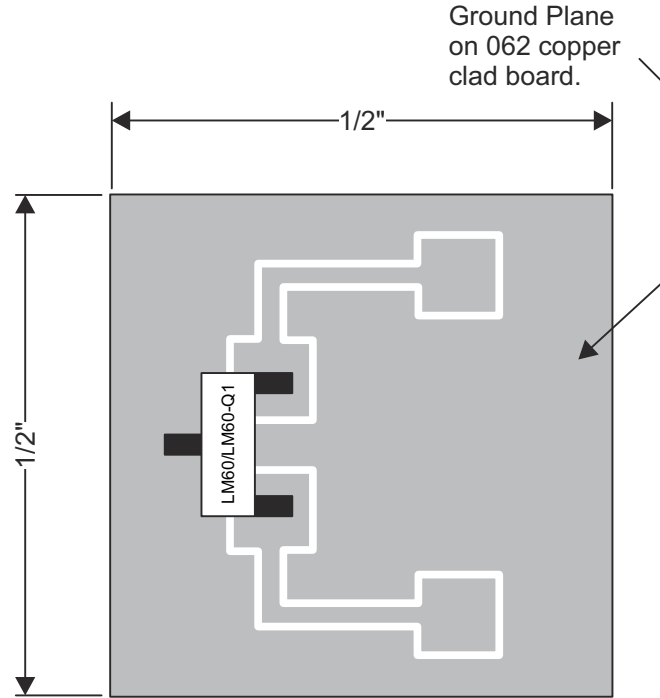
表 8-2. Temperature Rise of LM60 Due to Self-Heating and Thermal Resistance ($R_{\theta JA}$)

	SOT-23 ⁽¹⁾ NO HEAT SINK		SOT-23 ⁽²⁾ SMALL HEAT FIN		TO-92 ⁽¹⁾ NO HEAT FIN		TO-92 ⁽³⁾ SMALL HEAT FIN	
	$R_{\theta JA}$	$T_J - T_A$	$R_{\theta JA}$	$T_J - T_A$	$R_{\theta JA}$	$T_J - T_A$	$R_{\theta JA}$	$T_J - T_A$
	(°C/W)	(°C)	(°C/W)	(°C)	(°C/W)	(°C)	(°C/W)	(°C)
Still air Legacy chip	450	0.17	260	0.1	180	0.07	140	0.05
Moving air Legacy chip	—	—	180	0.07	90	0.034	70	0.026

(1) Part soldered to 30 gauge wire.

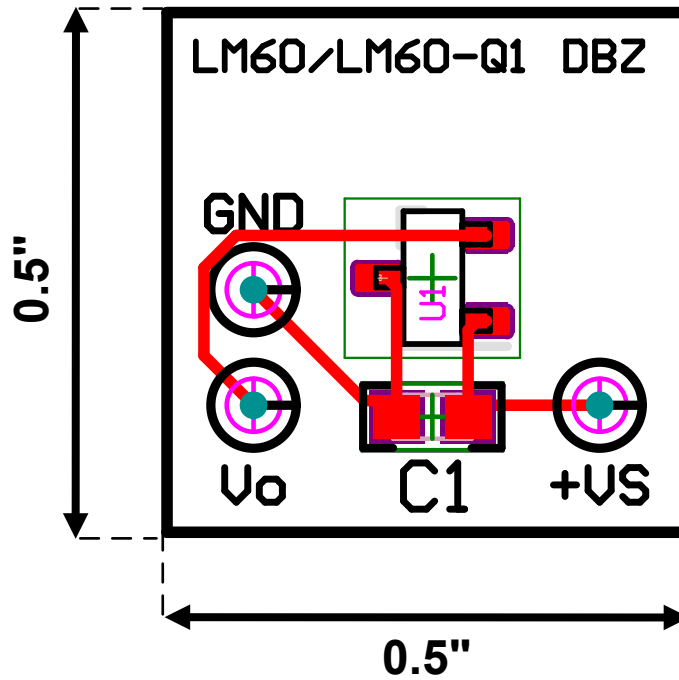
(2) Heat sink used is 1/2-in square printed-circuit board with 2-oz. foil with part attached as shown in 图 8-9.

- (3) Part glued or leads soldered to 1-in square of 1/16-in printed-circuit board with 2-oz. foil or similar.



1/2-in Square Printed-Circuit Board with 2oz. Copper Foil or Similar.

图 8-9. Printed-Circuit Board Used for Heat Sink to Generate Thermal Response Curves (Legacy chip)



1/2in Square Printed-Circuit Board with FR-4 material.

图 8-10. Printed-Circuit Board Used to Generate Thermal Response Curves (New Test Setup for Both New Chip and Legacy Chip)

9 Device and Documentation Support

9.1 Documentation Support

9.1.1 Related Documentation

For related documentation see the following:

- Texas Instruments, [LM50 and LM50-Q1 SOT-23 Single-Supply Centigrade Temperature Sensor](#), data sheet
- Texas Instruments, [TMP23x Low-Power, High-Accuracy Analog Output Temperature Sensors](#), data sheet
- Texas Instruments, [LM60 Evaluation Module](#), EVM user's guide
- Texas Instruments, [LM60-Q1 Functional Safety FIT Rate and FMD](#), Functional safety information.

9.2 接收文档更新通知

要接收文档更新通知，请导航至 ti.com 上的器件产品文件夹。点击 [通知](#) 进行注册，即可每周接收产品信息更改摘要。有关更改的详细信息，请查看任何已修订文档中包含的修订历史记录。

9.3 支持资源

[TI E2E™ 中文支持论坛](#) 是工程师的重要参考资料，可直接从专家处获得快速、经过验证的解答和设计帮助。搜索现有解答或提出自己的问题，获得所需的快速设计帮助。

链接的内容由各个贡献者“按原样”提供。这些内容并不构成 TI 技术规范，并且不一定反映 TI 的观点；请参阅 TI 的 [使用条款](#)。

9.4 Trademarks

TI E2E™ is a trademark of Texas Instruments.

所有商标均为其各自所有者的财产。

9.5 静电放电警告



静电放电 (ESD) 会损坏这个集成电路。德州仪器 (TI) 建议通过适当的预防措施处理所有集成电路。如果不遵守正确的处理和安装程序，可能会损坏集成电路。

ESD 的损坏小至导致微小的性能降级，大至整个器件故障。精密的集成电路可能更容易受到损坏，这是因为非常细微的参数更改都可能会导致器件与其发布的规格不相符。

9.6 术语表

[TI 术语表](#) 本术语表列出并解释了术语、首字母缩略词和定义。

10 Revision History

Changes from Revision F (August 2017) to Revision G (February 2025)

	Page
• 更新了整个文档中的表格、图和交叉参考的编号格式.....	1
• Updated the <i>Device Comparison</i> section with existing OPNs and adding <i>Device Nomenclature</i> table.....	3
• Changed Machine model (MM) Electrostatic discharge to Charged-device model (CDM).....	4
• Changed minimum specified temperature for LM60B from -25°C to -40°C in the New chip.....	4
• Changed DBZ and LP packages Thermal Information section. in the New chip.....	4
• Added “operating current” and “Change of quiescent current” for the New chip.....	5
• Added graphs for new chip, reordered and corrected the graphs for legacy chip.....	6
• Added corrections to the <i>Thermal Resistance Junction to Air (Legacy chip)</i> graph.....	6
• Added <i>Thermal Response in Stirred Oil Bath With Heat Sink (0.5 inches × 0.5 inches PCB board)</i> graph for both Legacy and New chips.....	6
• Added <i>Thermal Response in Still Air Without a Heat Sink (Both Legacy and New chip together in a new test setup)</i> graph for both Legacy and New chips.....	6

- Added the *Start-Up Voltage vs Temperature*, *Quiescent Current vs Temperature*, *Accuracy vs Temperature*, *Noise Voltage*, *Supply Current vs Supply Voltage* and *Start-Up Response* graphs for New chip.....6
-

Changes from Revision E (September 2015) to Revision F (August 2017) Page

- 将汽车器件移到了单独的数据表 (SNIS197) 中.....1
 - Added table note for the LM60B.....3
-

Changes from Revision D (November 2012) to Revision E (November 2014) Page

- 添加了引脚配置和功能部分、ESD 等级表、特性说明部分、器件功能模式、应用和实施部分、电源相关建议部分、布局部分、器件和文档支持部分以及机械、封装和可订购信息部分.....1
-

11 Mechanical, Packaging, and Orderable Information

The following pages include mechanical, packaging, and orderable information. This information is the most current data available for the designated devices. This data is subject to change without notice and revision of this document. For browser-based versions of this data sheet, refer to the left-hand navigation.

PACKAGING INFORMATION

Orderable Device	Status (1)	Package Type	Package Drawing	Pins	Package Qty	Eco Plan (2)	Lead finish/ Ball material (6)	MSL Peak Temp (3)	Op Temp (°C)	Device Marking (4/5)	Samples
LM60BIM3	NRND	SOT-23	DBZ	3	1000	Non-RoHS & Green	Call TI	Level-1-260C-UNLIM	-25 to 125	T6B	
LM60BIM3/NOPB	OBSOLETE	SOT-23	DBZ	3		TBD	Call TI	Call TI	-25 to 125	T6B	
LM60BIM3X	NRND	SOT-23	DBZ	3	3000	Non-RoHS & Green	Call TI	Level-1-260C-UNLIM	-25 to 125	T6B	
LM60BIM3X/NOPB	ACTIVE	SOT-23	DBZ	3	3000	RoHS & Green	SN	Level-1-260C-UNLIM	-25 to 125	T6B	Samples
LM60BIZ/LFT3	ACTIVE	TO-92	LP	3	2000	RoHS & Green	SN	N / A for Pkg Type	-40 to 125	(LM60, LM60BIZ) BIZ	Samples
LM60BIZ/NOPB	ACTIVE	TO-92	LP	3	1800	RoHS & Green	SN	N / A for Pkg Type	-25 to 125	(LM60, LM60BIZ) BIZ	Samples
LM60CIM3	NRND	SOT-23	DBZ	3	1000	Non-RoHS & Green	Call TI	Level-1-260C-UNLIM	-40 to 125	T6C	
LM60CIM3/NOPB	OBSOLETE	SOT-23	DBZ	3		TBD	Call TI	Call TI	-40 to 125	T6C	
LM60CIM3X	NRND	SOT-23	DBZ	3	3000	Non-RoHS & Green	Call TI	Level-1-260C-UNLIM	-40 to 125	T6C	
LM60CIM3X/NOPB	ACTIVE	SOT-23	DBZ	3	3000	RoHS & Green	SN	Level-1-260C-UNLIM	-40 to 125	T6C	Samples
LM60CIZ/NOPB	ACTIVE	TO-92	LP	3	1800	RoHS & Green	SN	N / A for Pkg Type	-40 to 125	(LM60, LM60CIZ) CIZ	Samples

(1) The marketing status values are defined as follows:

ACTIVE: Product device recommended for new designs.

LIFEBUY: TI has announced that the device will be discontinued, and a lifetime-buy period is in effect.

NRND: Not recommended for new designs. Device is in production to support existing customers, but TI does not recommend using this part in a new design.

PREVIEW: Device has been announced but is not in production. Samples may or may not be available.

OBSOLETE: TI has discontinued the production of the device.

(2) **RoHS:** TI defines "RoHS" to mean semiconductor products that are compliant with the current EU RoHS requirements for all 10 RoHS substances, including the requirement that RoHS substance do not exceed 0.1% by weight in homogeneous materials. Where designed to be soldered at high temperatures, "RoHS" products are suitable for use in specified lead-free processes. TI may reference these types of products as "Pb-Free".

RoHS Exempt: TI defines "RoHS Exempt" to mean products that contain lead but are compliant with EU RoHS pursuant to a specific EU RoHS exemption.

Green: TI defines "Green" to mean the content of Chlorine (Cl) and Bromine (Br) based flame retardants meet JS709B low halogen requirements of <=1000ppm threshold. Antimony trioxide based flame retardants must also meet the <=1000ppm threshold requirement.

- (3) MSL, Peak Temp. - The Moisture Sensitivity Level rating according to the JEDEC industry standard classifications, and peak solder temperature.
- (4) There may be additional marking, which relates to the logo, the lot trace code information, or the environmental category on the device.
- (5) Multiple Device Markings will be inside parentheses. Only one Device Marking contained in parentheses and separated by a "~" will appear on a device. If a line is indented then it is a continuation of the previous line and the two combined represent the entire Device Marking for that device.
- (6) Lead finish/Ball material - Orderable Devices may have multiple material finish options. Finish options are separated by a vertical ruled line. Lead finish/Ball material values may wrap to two lines if the finish value exceeds the maximum column width.

Important Information and Disclaimer:The information provided on this page represents TI's knowledge and belief as of the date that it is provided. TI bases its knowledge and belief on information provided by third parties, and makes no representation or warranty as to the accuracy of such information. Efforts are underway to better integrate information from third parties. TI has taken and continues to take reasonable steps to provide representative and accurate information but may not have conducted destructive testing or chemical analysis on incoming materials and chemicals. TI and TI suppliers consider certain information to be proprietary, and thus CAS numbers and other limited information may not be available for release.

In no event shall TI's liability arising out of such information exceed the total purchase price of the TI part(s) at issue in this document sold by TI to Customer on an annual basis.

OTHER QUALIFIED VERSIONS OF LM60 :

- Automotive : [LM60-Q1](#)

NOTE: Qualified Version Definitions:

- Automotive - Q100 devices qualified for high-reliability automotive applications targeting zero defects

TAPE AND REEL INFORMATION

QUADRANT ASSIGNMENTS FOR PIN 1 ORIENTATION IN TAPE


*All dimensions are nominal

Device	Package Type	Package Drawing	Pins	SPQ	Reel Diameter (mm)	Reel Width W1 (mm)	A0 (mm)	B0 (mm)	K0 (mm)	P1 (mm)	W (mm)	Pin1 Quadrant
LM60BIM3	SOT-23	DBZ	3	1000	178.0	8.4	3.3	2.9	1.22	4.0	8.0	Q3
LM60BIM3X	SOT-23	DBZ	3	3000	178.0	8.4	3.3	2.9	1.22	4.0	8.0	Q3
LM60BIM3X/NOPB	SOT-23	DBZ	3	3000	178.0	8.4	3.3	2.9	1.22	4.0	8.0	Q3
LM60CIM3	SOT-23	DBZ	3	1000	178.0	8.4	3.3	2.9	1.22	4.0	8.0	Q3
LM60CIM3X	SOT-23	DBZ	3	3000	178.0	8.4	3.3	2.9	1.22	4.0	8.0	Q3
LM60CIM3X/NOPB	SOT-23	DBZ	3	3000	178.0	8.4	3.3	2.9	1.22	4.0	8.0	Q3

TAPE AND REEL BOX DIMENSIONS



*All dimensions are nominal

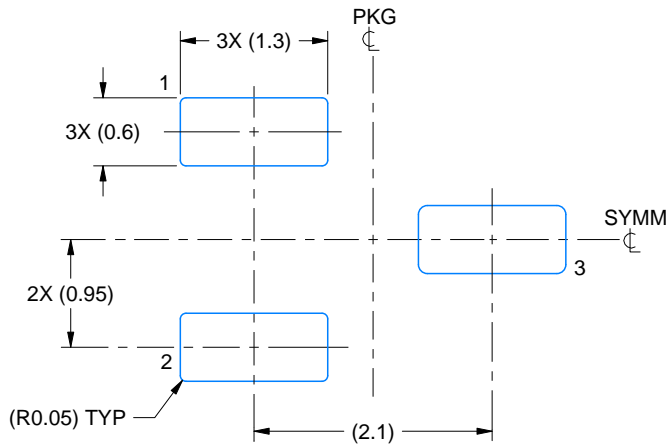
Device	Package Type	Package Drawing	Pins	SPQ	Length (mm)	Width (mm)	Height (mm)
LM60BIM3	SOT-23	DBZ	3	1000	208.0	191.0	35.0
LM60BIM3X	SOT-23	DBZ	3	3000	208.0	191.0	35.0
LM60BIM3X/NOPB	SOT-23	DBZ	3	3000	208.0	191.0	35.0
LM60CIM3	SOT-23	DBZ	3	1000	208.0	191.0	35.0
LM60CIM3X	SOT-23	DBZ	3	3000	208.0	191.0	35.0
LM60CIM3X/NOPB	SOT-23	DBZ	3	3000	208.0	191.0	35.0

EXAMPLE BOARD LAYOUT

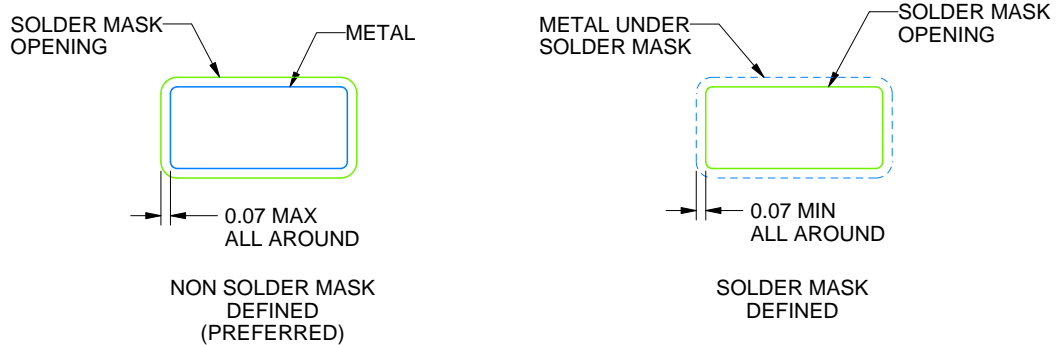
DBZ0003A

SOT-23 - 1.12 mm max height

SMALL OUTLINE TRANSISTOR



LAND PATTERN EXAMPLE
SCALE:15X



SOLDER MASK DETAILS

4214838/F 08/2024

NOTES: (continued)

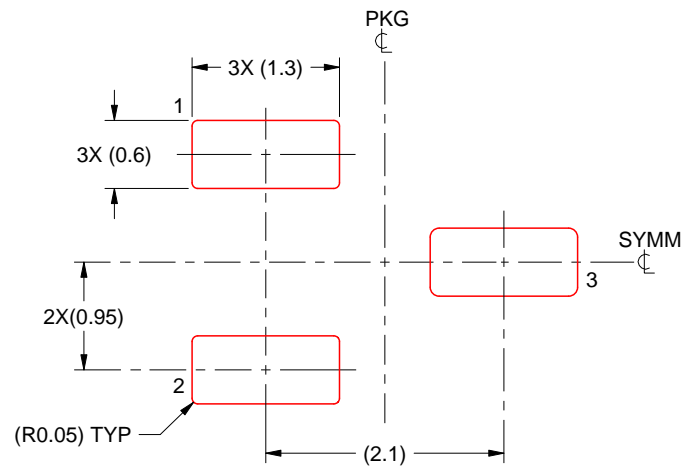
5. Publication IPC-7351 may have alternate designs.
6. Solder mask tolerances between and around signal pads can vary based on board fabrication site.

EXAMPLE STENCIL DESIGN

DBZ0003A

SOT-23 - 1.12 mm max height

SMALL OUTLINE TRANSISTOR



SOLDER PASTE EXAMPLE
BASED ON 0.125 THICK STENCIL
SCALE:15X

4214838/F 08/2024

NOTES: (continued)

7. Laser cutting apertures with trapezoidal walls and rounded corners may offer better paste release. IPC-7525 may have alternate design recommendations.
8. Board assembly site may have different recommendations for stencil design.

GENERIC PACKAGE VIEW

LP 3

TO-92 - 5.34 mm max height

TRANSISTOR OUTLINE



Images above are just a representation of the package family, actual package may vary.
Refer to the product data sheet for package details.

4040001-2/F

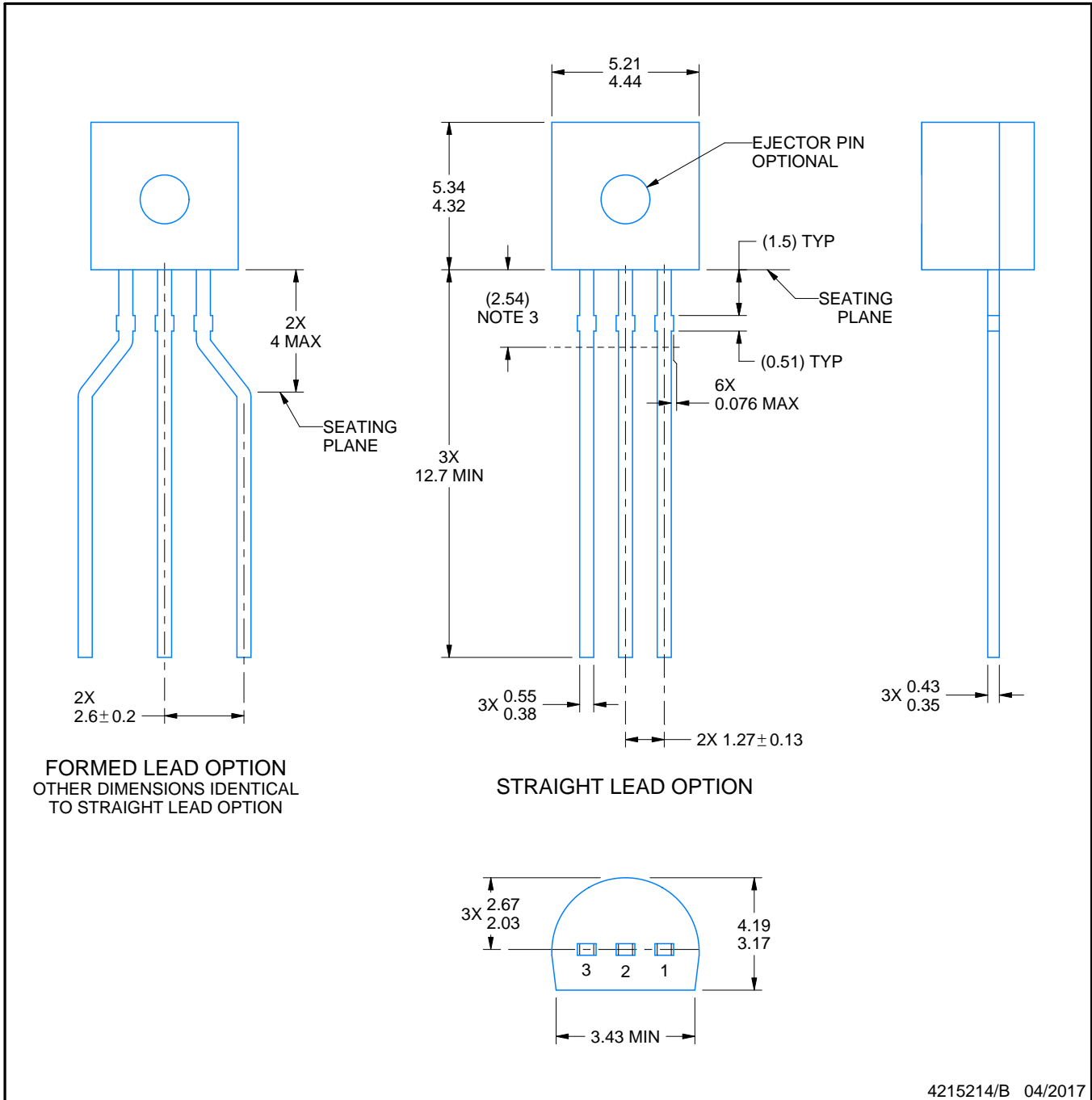
LP0003A



PACKAGE OUTLINE

TO-92 - 5.34 mm max height

TO-92



4215214/B 04/2017

NOTES:

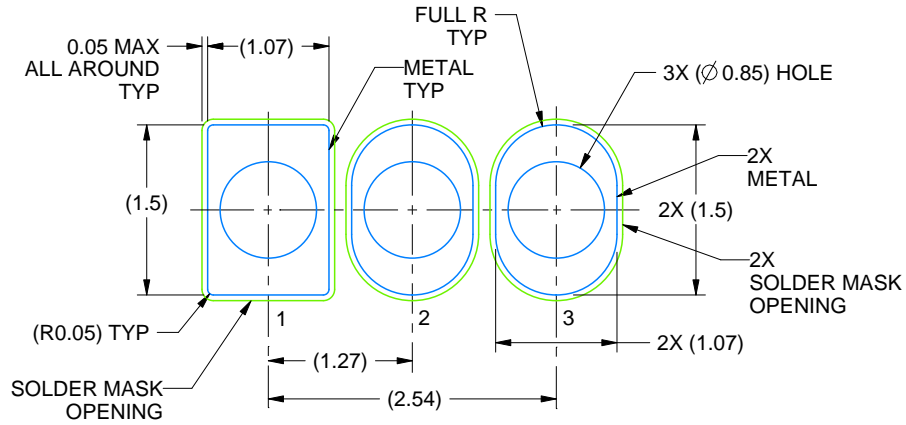
1. All linear dimensions are in millimeters. Any dimensions in parenthesis are for reference only. Dimensioning and tolerancing per ASME Y14.5M.
2. This drawing is subject to change without notice.
3. Lead dimensions are not controlled within this area.
4. Reference JEDEC TO-226, variation AA.
5. Shipping method:
 - a. Straight lead option available in bulk pack only.
 - b. Formed lead option available in tape and reel or ammo pack.
 - c. Specific products can be offered in limited combinations of shipping medium and lead options.
 - d. Consult product folder for more information on available options.

EXAMPLE BOARD LAYOUT

LP0003A

TO-92 - 5.34 mm max height

TO-92



LAND PATTERN EXAMPLE
STRAIGHT LEAD OPTION
NON-SOLDER MASK DEFINED
SCALE:15X



LAND PATTERN EXAMPLE
FORMED LEAD OPTION
NON-SOLDER MASK DEFINED
SCALE:15X

4215214/B 04/2017

TAPE SPECIFICATIONS

LP0003A

TO-92 - 5.34 mm max height

TO-92



FOR FORMED LEAD OPTION PACKAGE

4215214/B 04/2017

重要通知和免责声明

TI“按原样”提供技术和可靠性数据（包括数据表）、设计资源（包括参考设计）、应用或其他设计建议、网络工具、安全信息和其他资源，不保证没有瑕疵且不做任何明示或暗示的担保，包括但不限于对适销性、某特定用途方面的适用性或不侵犯任何第三方知识产权的暗示担保。

这些资源可供使用 TI 产品进行设计的熟练开发人员使用。您将自行承担以下全部责任：(1) 针对您的应用选择合适的 TI 产品，(2) 设计、验证并测试您的应用，(3) 确保您的应用满足相应标准以及任何其他功能安全、信息安全、监管或其他要求。

这些资源如有变更，恕不另行通知。TI 授权您仅可将这些资源用于研发本资源所述的 TI 产品的相关应用。严禁以其他方式对这些资源进行复制或展示。您无权使用任何其他 TI 知识产权或任何第三方知识产权。您应全额赔偿因在这些资源的使用中对 TI 及其代表造成的任何索赔、损害、成本、损失和债务，TI 对此概不负责。

TI 提供的产品受 [TI 的销售条款](#) 或 [ti.com](#) 上其他适用条款/TI 产品随附的其他适用条款的约束。TI 提供这些资源并不会扩展或以其他方式更改 TI 针对 TI 产品发布的适用的担保或担保免责声明。

TI 反对并拒绝您可能提出的任何其他或不同的条款。

邮寄地址：Texas Instruments, Post Office Box 655303, Dallas, Texas 75265
版权所有 © 2025，德州仪器 (TI) 公司