

CDCS504-Q1 时钟缓冲器和时钟乘法器

1 特性

- 符合汽车应用 标准
- 具有下列结果的 AEC-Q100 测试指南：
 - 器件温度 2 级：-40°C 至 105°C 的环境运行温度范围
 - 器件人体放电模式 (HBM) 静电放电 (ESD) 分类等级 H2
 - 器件组件充电模式 (CDM) ESD 分类等级 C3B
- 属于易用型时钟发生器器件系列的一部分
- 具有可选输出频率的时钟乘法器
- 可使用一个外部控制引脚来选择 x1 或者 x4 的频率倍乘
- 通过控制引脚进行输出禁用
- 单一 3.3V 器件电源
- 宽温度范围：-40°C 至 105°C
- 节省空间的 8 引脚薄型小外形尺寸 (TSSOP) 封装
- 使用 CDCS504-Q1 并借助 [WEBENCH® 电源设计器](#) 创建定制设计方案

2 应用

汽车 应用（需要时钟倍乘）

3 说明

CDCS504-Q1 器件是一款带有可选频率倍乘的 LVCMOS 输入时钟缓冲器。

CDCS504-Q1 具有输出使能引脚。

此器件在输入上接受一个 3.3V LVCMOS 信号。

这个输入信号由一个锁相环路 (PLL) 处理，此环路的输出频率或者与输入频率相等或者被乘以因子 4。

这样一来，该器件可生成介于 2MHz 和 108MHz 之间的输出频率。

独立的控制引脚可用于启用或者禁用输出。CDCS504-Q1 器件在 3.3V 环境下工作。

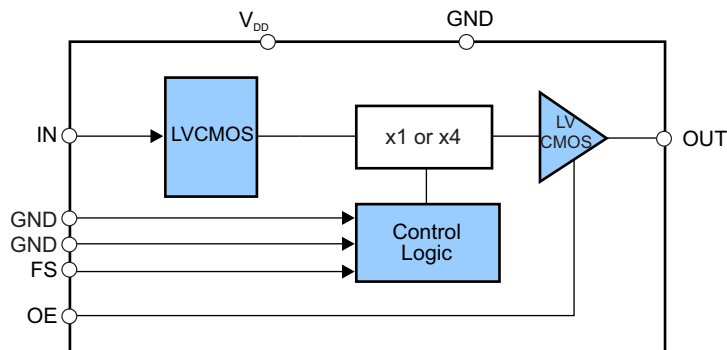
其特征在于运行温度范围介于 -40°C 至 105°C 之间，并采用 8 引脚 TSSOP 封装。

器件信息⁽¹⁾

器件型号	封装	封装尺寸 (标称值)
CDCS504-Q1	TSSOP (8)	3.00mm x 4.40mm

(1) 要了解所有可用封装，请见数据表末尾的可订购产品附录。

框图



Copyright © 2017, Texas Instruments Incorporated



目录

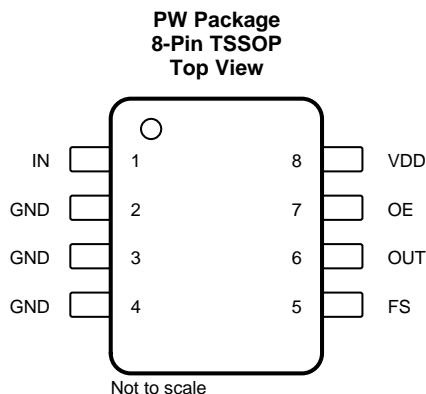
1	特性	1	8.3	Feature Description	7
2	应用	1	8.4	Device Functional Modes	7
3	说明	1	9	Application and Implementation	8
4	修订历史记录	2	9.1	Application Information	8
5	Pin Configuration and Functions	3	9.2	Typical Application	8
6	Specifications	3	10	Power Supply Recommendations	9
6.1	Absolute Maximum Ratings	3	11	Layout	9
6.2	ESD Ratings	3	11.1	Layout Guidelines	9
6.3	Recommended Operating Conditions	4	11.2	Layout Example	9
6.4	Thermal Information	4	12	器件和文档支持	10
6.5	Electrical Characteristics – Device Characteristics ...	4	12.1	器件支持	10
6.6	Typical Characteristics	5	12.2	接收文档更新通知	10
7	Parameter Measurement Information	6	12.3	社区资源	10
7.1	Measurement Circuits	6	12.4	商标	10
8	Detailed Description	7	12.5	静电放电警告	10
8.1	Overview	7	12.6	Glossary	10
8.2	Functional Block Diagram	7	13	机械、封装和可订购信息	10

4 修订历史记录

注：之前版本的页码可能与当前版本有所不同。

日期	修订版本	注释
2017 年 4 月	*	初始发行版。

5 Pin Configuration and Functions



Pin Functions

PIN		TYPE	DESCRIPTION
NAME	NO.		
FS	5	I	Frequency multiplication selection, internal pullup
GND	2, 3, 4	Ground	Ground
IN	1	I	LVC MOS clock input
OE	7	I	Output enable, internal pullup
OUT	6	O	LVC MOS clock output
VDD	8	Power	3.3-V power supply

6 Specifications

6.1 Absolute Maximum Ratings

over operating free-air temperature range (unless otherwise noted)⁽¹⁾

		MIN	MAX	UNIT
V_{DD}	Supply voltage	-0.5	4.6	V
V_{IN}	Input voltage	-0.5	4.6	V
V_{out}	Output voltage	-0.5	4.6	V
I_{IN}	Input current ($V_I < 0$, $V_I > V_{DD}$)		20	mA
I_{out}	Continuous output current		50	mA
T_J	Maximum junction temperature		125	°C
T_{stg}	Storage temperature	-65	150	°C

(1) Stresses beyond those listed under *Absolute Maximum Ratings* may cause permanent damage to the device. These are stress ratings only and functional operation of the device at these or any other conditions beyond those indicated under *Recommended Operating Conditions* is not implied. Exposure to absolute-maximum-rated conditions for extended periods may affect device reliability.

6.2 ESD Ratings

		VALUE	UNIT
$V_{(ESD)}$	Electrostatic discharge	Human-body model (HBM), per AEC Q100-002 ⁽¹⁾	±1500
		Charged-device model (CDM), per AEC Q100-011	±750

(1) AEC Q100-002 indicates that HBM stressing shall be in accordance with the ANSI/ESDA/JEDEC JS-001 specification.

6.3 Recommended Operating Conditions

		MIN	NOM	MAX	UNIT
V _{DD}	Supply voltage	3		3.6	V
f _{IN}	Input frequency	FS = 0		27	MHz
		FS = 1	2	27	
V _{IL}	Low-level input voltage LVCMOS			0.3 × V _{DD}	V
V _{IH}	High-level input voltage LVCMOS	0.7 × V _{DD}			V
V _I	Input voltage threshold LVCMOS		0.5 × V _{DD}		V
C _L	Output load test LVCMOS			15	pF
I _{OH} /I _{OL}	Output current			±12	mA
T _A	Operating free-air temperature	−40		105	°C

6.4 Thermal Information

over operating free-air temperature range (unless otherwise noted)⁽¹⁾

THERMAL METRIC ⁽²⁾		CDCS504-Q1		UNIT	
		PW (TSSOP)			
		8 PINS			
R _{θJA}	Junction-to-ambient thermal resistance		179.9	°C/W	
		High K	Thermal Airflow (CFM) 0		149
			Thermal Airflow (CFM) 150		142
			Thermal Airflow (CFM) 250		138
			Thermal Airflow (CFM) 500		132
		Low K	Thermal Airflow (CFM) 0		230
			Thermal Airflow (CFM) 150		185
			Thermal Airflow (CFM) 250		170
Thermal Airflow (CFM) 500	150				
R _{θJC(top)}	Junction-to-case (top) thermal resistance		64.9	°C/W	
		High K	65		
		Low K	69		
R _{θJB}	Junction-to-board thermal resistance		108.7	°C/W	
ψ _{JT}	Junction-to-top characterization parameter		9	°C/W	
ψ _{JB}	Junction-to-board characterization parameter		107	°C/W	
R _{θJC(bot)}	Junction-to-case (bottom) thermal resistance		n/a	°C/W	

(1) The package thermal impedance is calculated in accordance with JESD 51 and JEDEC2S2P (high-k board).

(2) For more information about traditional and new thermal metrics, see the [Semiconductor and IC Package Thermal Metrics](#) application report.

6.5 Electrical Characteristics – Device Characteristics

over recommended operating free-air temperature range (unless otherwise noted)

PARAMETER		TEST CONDITIONS	MIN	TYP	MAX	UNIT
I _{DD}	Device supply current	f _{in} = 3.072 MHz; FS = 1		24		mA
f _{OUT}	Output frequency	FS = 0	2		27	MHz
		FS = 1	8		108	
I _{IH}	LVCMOS input current	V _I = V _{DD} ; V _{DD} = 3.6 V			10	μA
I _{IL}	LVCMOS input current	V _I = 0 V; V _{DD} = 3.6 V			−10	μA
V _{OH}	LVCMOS high-level output voltage	I _{OH} = −0.1 mA	2.9			V
		I _{OH} = −8 mA	2.4			
		I _{OH} = −12 mA	2.2			

Electrical Characteristics – Device Characteristics (continued)

over recommended operating free-air temperature range (unless otherwise noted)

PARAMETER	TEST CONDITIONS	MIN	TYP	MAX	UNIT
V _{OL} LVC MOS low-level output voltage	I _{OL} = 0.1 mA			0.1	V
	I _{OL} = 8 mA			0.5	
	I _{OL} = 12 mA			0.8	
I _{OZ} High-impedance-state output current	OE = Low	-2		2	μA
t _{JIT(C-C)} Cycle to cycle jitter ⁽¹⁾	f _{out} = 11.264 MHz; FS = 1, 10000 Cycles		144		ps
t _r Rise time ⁽¹⁾	20%–80%		0.65		ns
t _f Fall time ⁽¹⁾	20%–80%		0.55		ns
O _{dc} Output duty cycle ⁽²⁾		45%		55%	

- (1) Measured with Test Load, see Figure 4.
- (2) Not production tested.

6.6 Typical Characteristics

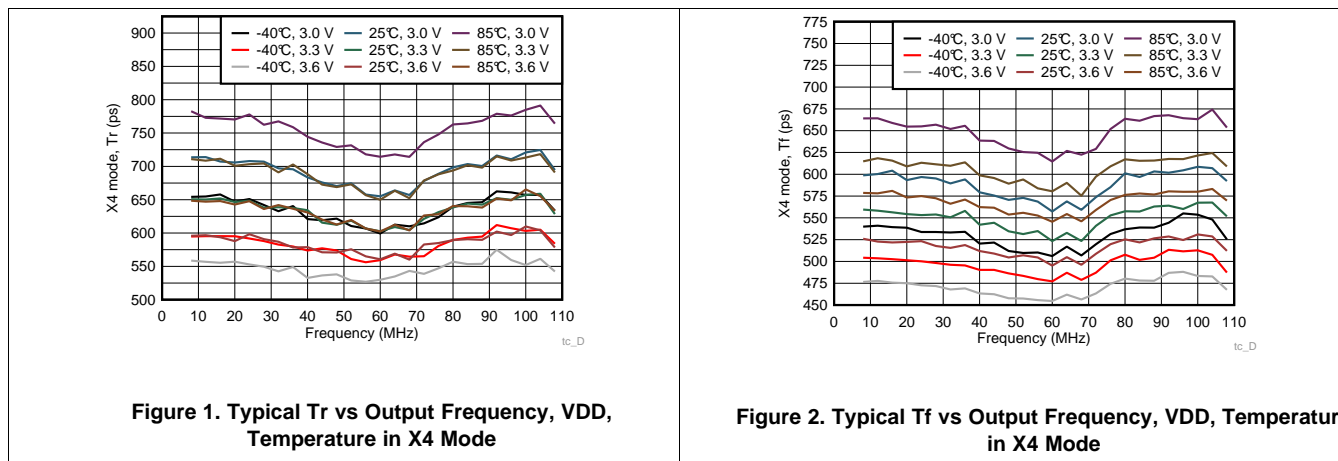
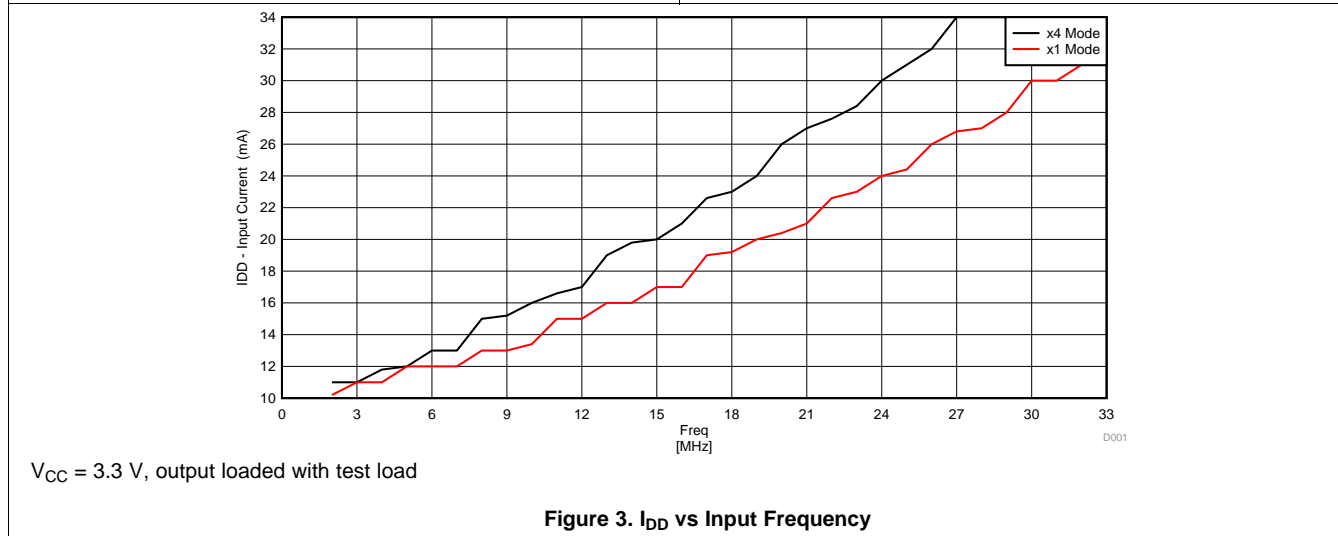


Figure 1. Typical Tr vs Output Frequency, VDD, Temperature in X4 Mode

Figure 2. Typical Tf vs Output Frequency, VDD, Temperature in X4 Mode

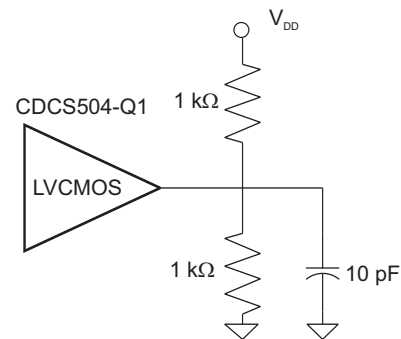


V_{CC} = 3.3 V, output loaded with test load

Figure 3. I_{DD} vs Input Frequency

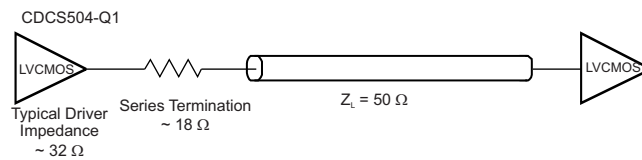
7 Parameter Measurement Information

7.1 Measurement Circuits



Copyright © 2017, Texas Instruments Incorporated

Figure 4. Test Load



Copyright © 2017, Texas Instruments Incorporated

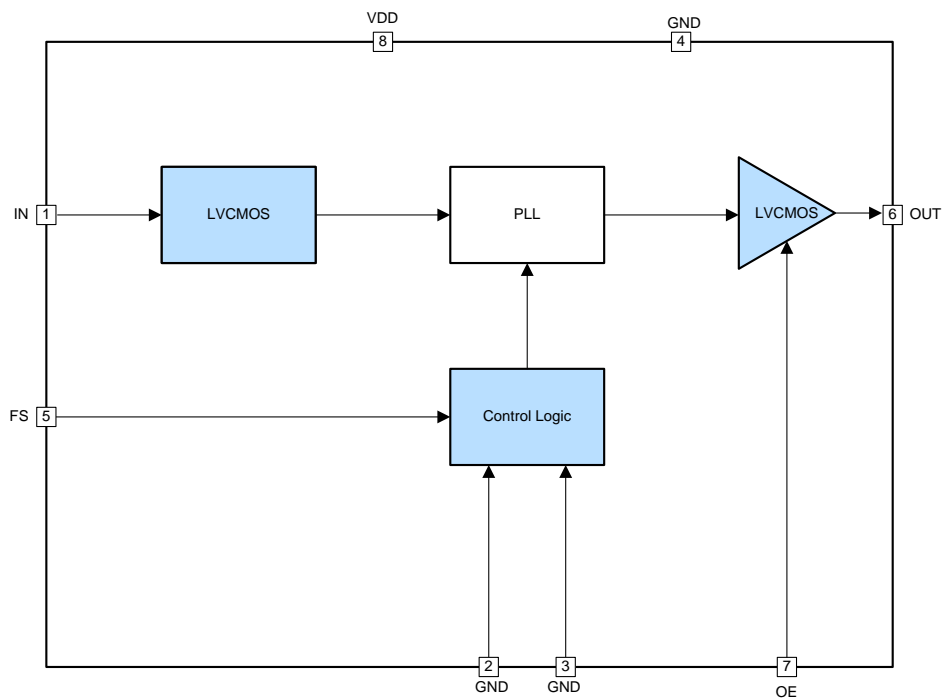
Figure 5. Load for 50-Ω Board Environment

8 Detailed Description

8.1 Overview

The CDCS504-Q1 is a LVCMOS clock buffer (x1 mode) or quadrupler (x4 mode). It integrates an internal PLL and generates a LVCMOS clock frequency range from 2 MHz to 108 MHz.

8.2 Functional Block Diagram



Copyright © 2017, Texas Instruments Incorporated

8.3 Feature Description

The CDCS504-Q1 is qualified for automotive applications with AEC-Q100 test, which could support wide temperature range from -40°C to 105°C . The device is easy to use, only need single 3.3-V power supply. The output enable or disable mode, along with frequency multiplication, could be controlled by external controls pins.

8.4 Device Functional Modes

When pin 7 OE is in low, the CDCS504-Q1 outputs 3-state. When pin 7 OE is set in high, the device would output clocks, output frequency depends on pin 5 FS status. FS = high enables frequency $\times 4$ mode. FS = low makes output frequency equal to input frequency. If no input clock is provided, it is recommended to set OE = low in order to avoid random clock pulses from the internal PLL at the outputs.

Table 1. Function Table

OE	FS	$f_{\text{OUT}}/f_{\text{IN}}$	f_{OUT} at $f_{\text{in}} = 27 \text{ MHz}$
0	x	x	3-state
1	0	1	27 MHz
1	1	4	108 MHz

9 Application and Implementation

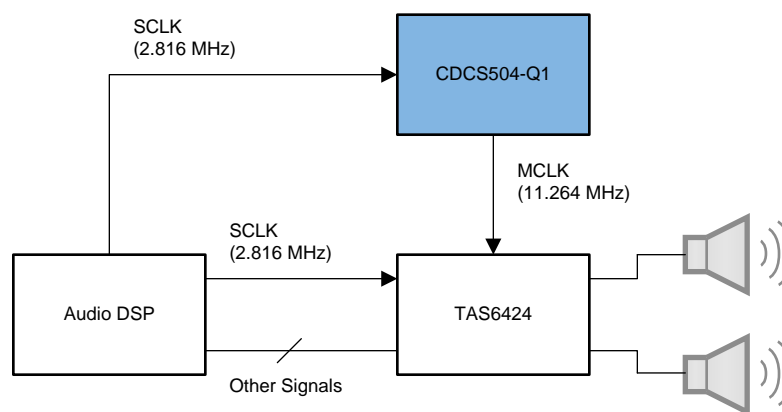
NOTE

Information in the following applications sections is not part of the TI component specification, and TI does not warrant its accuracy or completeness. TI's customers are responsible for determining suitability of components for their purposes. Customers should validate and test their design implementation to confirm system functionality.

9.1 Application Information

The CDCS504-Q1 is a clock buffer or multiplier for automotive amplifiers and infotainment. It is fit for the TAS6424-Q1, a four-channel, class-D, digital-input audio-amplifier, when the applications are without available MCLK. See [Figure 6](#) for more details.

9.2 Typical Application



Copyright © 2017, Texas Instruments Incorporated

Figure 6. Clock for Automotive Amplifiers

9.2.1 Design Requirements

The CDCS504-Q1 is supplied with a single-power 3.3 V. The device supports minimum input frequency to 2 MHz. For maximum input frequency, it is 32 MHz in $\times 1$ mode, and 27 MHz in $\times 4$ mode. The input clock is LVCMOS type and should satisfy requirements in the [Recommended Operating Conditions](#).

9.2.2 Detailed Design Procedure

In some applications, the clock input for CDCS504-Q1 is not always presented. In case there is an unexpected clock output without clock input, TI recommends setting OE pin to low. When it gets clock input ready, set OE pin to high to get expected clock output. If the other application presents continuous clock input for CDCS504-Q1, the OE pin could be floated, internal pullup brings output enable, or an external pullup circuits could be used fixedly.

9.2.2.1 Custom Design With WEBENCH® Tools

[Click here](#) to create a custom design using the CDCS504-Q1 device with the WEBENCH® Power Designer.

1. Start by entering the input voltage (V_{IN}), output voltage (V_{OUT}), and output current (I_{OUT}) requirements.
2. Optimize the design for key parameters such as efficiency, footprint, and cost using the optimizer dial.
3. Compare the generated design with other possible solutions from Texas Instruments.

The WEBENCH Power Designer provides a customized schematic along with a list of materials with real-time pricing and component availability.

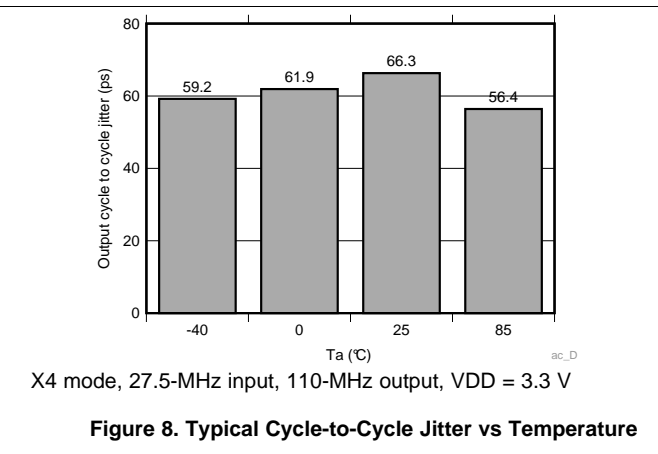
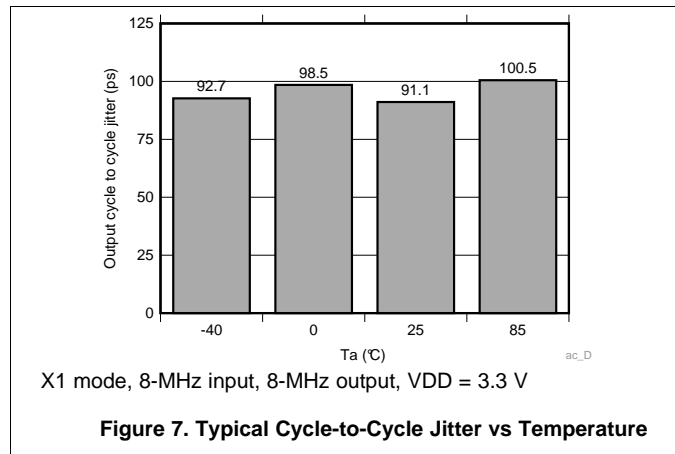
Typical Application (continued)

In most cases, these actions are available:

- Run electrical simulations to see important waveforms and circuit performance
- Run thermal simulations to understand board thermal performance
- Export customized schematic and layout into popular CAD formats
- Print PDF reports for the design, and share the design with colleagues

Get more information about WEBENCH tools at www.ti.com/WEBENCH.

9.2.3 Application Curves



10 Power Supply Recommendations

The CDCS504-Q1 requires a 3.3-V supply.

11 Layout

11.1 Layout Guidelines

The CDCS504-Q1 only has typical 20-mA supply current, so there is no thermal design challenge. A 0.01- μ F capacitor may be placed close to VDD pin as a bypass capacitor.

11.2 Layout Example

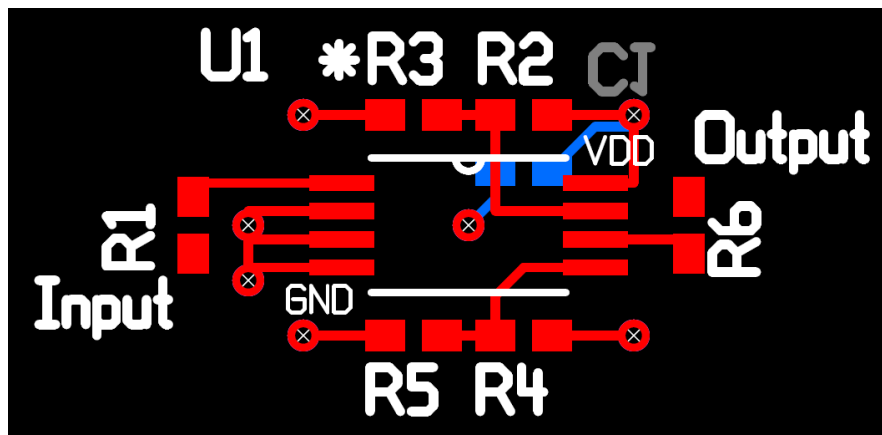


Figure 9. Layout Example

12 器件和文档支持

12.1 器件支持

12.1.1 开发支持

12.1.1.1 使用 **WEBENCH®** 工具定制设计方案

请单击[此处](#)，借助 **WEBENCH®** 电源设计器并使用 **CDCS504-Q1** 器件创建定制设计方案。

1. 在开始阶段键入输出电压 (V_{IN})、输出电压 (V_{OUT}) 和输出电流 (I_{OUT}) 要求。
2. 使用优化器拨盘优化关键设计参数，如效率、封装和成本。
3. 将生成的设计与德州仪器 (TI) 的其他解决方案进行比较。

WEBENCH Power Designer 提供一份定制原理图以及罗列实时价格和组件可用性的物料清单。

在多数情况下，可执行以下操作：

- 运行电气仿真，观察重要波形以及电路性能
- 运行热性能仿真，了解电路板热性能
- 将定制原理图和布局方案导出至常用 CAD 格式
- 打印设计方案的 PDF 报告并与同事共享

有关 **WEBENCH** 工具的详细信息，请访问 www.ti.com/WEBENCH。

12.2 接收文档更新通知

要接收文档更新通知，请导航至 ti.com 上的器件产品文件夹。点击右上角的**提醒我 (Alert me)** 注册后，即可每周定期收到已更改的产品信息。有关更改的详细信息，请查阅已修订文档中包含的修订历史记录。

12.3 社区资源

The following links connect to TI community resources. Linked contents are provided "AS IS" by the respective contributors. They do not constitute TI specifications and do not necessarily reflect TI's views; see TI's [Terms of Use](#).

TI E2E™ Online Community *TI's Engineer-to-Engineer (E2E) Community*. Created to foster collaboration among engineers. At e2e.ti.com, you can ask questions, share knowledge, explore ideas and help solve problems with fellow engineers.

Design Support *TI's Design Support* Quickly find helpful E2E forums along with design support tools and contact information for technical support.

12.4 商标

E2E is a trademark of Texas Instruments.

WEBENCH is a registered trademark of Texas Instruments.

All other trademarks are the property of their respective owners.

12.5 静电放电警告



这些装置包含有限的内置 ESD 保护。存储或装卸时，应将导线一起截短或将装置放置于导电泡棉中，以防止 MOS 门极遭受静电损伤。

12.6 Glossary

[SLYZ022](#) — *TI Glossary*.

This glossary lists and explains terms, acronyms, and definitions.

13 机械、封装和可订购信息

以下页面包括机械、封装和可订购信息。这些信息是指定器件的最新可用数据。这些数据发生变化时，我们可能不会另行通知或修订此文档。如欲获取此产品说明书的浏览器版本，请参见左侧的导航栏。

PACKAGING INFORMATION

Orderable Device	Status (1)	Package Type	Package Drawing	Pins	Package Qty	Eco Plan (2)	Lead finish/ Ball material (6)	MSL Peak Temp (3)	Op Temp (°C)	Device Marking (4/5)	Samples
CDCS504TPWRQ1	ACTIVE	TSSOP	PW	8	2000	RoHS & Green	NIPDAU	Level-3-260C-168 HR	-40 to 105	CS504Q	Samples

(1) The marketing status values are defined as follows:

ACTIVE: Product device recommended for new designs.

LIFEBUY: TI has announced that the device will be discontinued, and a lifetime-buy period is in effect.

NRND: Not recommended for new designs. Device is in production to support existing customers, but TI does not recommend using this part in a new design.

PREVIEW: Device has been announced but is not in production. Samples may or may not be available.

OBSOLETE: TI has discontinued the production of the device.

(2) **RoHS:** TI defines "RoHS" to mean semiconductor products that are compliant with the current EU RoHS requirements for all 10 RoHS substances, including the requirement that RoHS substance do not exceed 0.1% by weight in homogeneous materials. Where designed to be soldered at high temperatures, "RoHS" products are suitable for use in specified lead-free processes. TI may reference these types of products as "Pb-Free".

RoHS Exempt: TI defines "RoHS Exempt" to mean products that contain lead but are compliant with EU RoHS pursuant to a specific EU RoHS exemption.

Green: TI defines "Green" to mean the content of Chlorine (Cl) and Bromine (Br) based flame retardants meet JS709B low halogen requirements of <=1000ppm threshold. Antimony trioxide based flame retardants must also meet the <=1000ppm threshold requirement.

(3) MSL, Peak Temp. - The Moisture Sensitivity Level rating according to the JEDEC industry standard classifications, and peak solder temperature.

(4) There may be additional marking, which relates to the logo, the lot trace code information, or the environmental category on the device.

(5) Multiple Device Markings will be inside parentheses. Only one Device Marking contained in parentheses and separated by a "-" will appear on a device. If a line is indented then it is a continuation of the previous line and the two combined represent the entire Device Marking for that device.

(6) Lead finish/Ball material - Orderable Devices may have multiple material finish options. Finish options are separated by a vertical ruled line. Lead finish/Ball material values may wrap to two lines if the finish value exceeds the maximum column width.

Important Information and Disclaimer: The information provided on this page represents TI's knowledge and belief as of the date that it is provided. TI bases its knowledge and belief on information provided by third parties, and makes no representation or warranty as to the accuracy of such information. Efforts are underway to better integrate information from third parties. TI has taken and continues to take reasonable steps to provide representative and accurate information but may not have conducted destructive testing or chemical analysis on incoming materials and chemicals. TI and TI suppliers consider certain information to be proprietary, and thus CAS numbers and other limited information may not be available for release.

In no event shall TI's liability arising out of such information exceed the total purchase price of the TI part(s) at issue in this document sold by TI to Customer on an annual basis.

PW0008A



PACKAGE OUTLINE
TSSOP - 1.2 mm max height

SMALL OUTLINE PACKAGE



4221848/A 02/2015

NOTES:

1. All linear dimensions are in millimeters. Any dimensions in parenthesis are for reference only. Dimensioning and tolerancing per ASME Y14.5M.
2. This drawing is subject to change without notice.
3. This dimension does not include mold flash, protrusions, or gate burrs. Mold flash, protrusions, or gate burrs shall not exceed 0.15 mm per side.
4. This dimension does not include interlead flash. Interlead flash shall not exceed 0.25 mm per side.
5. Reference JEDEC registration MO-153, variation AA.

EXAMPLE BOARD LAYOUT

PW0008A

TSSOP - 1.2 mm max height

SMALL OUTLINE PACKAGE



LAND PATTERN EXAMPLE
SCALE:10X



SOLDER MASK DETAILS
NOT TO SCALE

4221848/A 02/2015

NOTES: (continued)

- 6. Publication IPC-7351 may have alternate designs.
- 7. Solder mask tolerances between and around signal pads can vary based on board fabrication site.

EXAMPLE STENCIL DESIGN

PW0008A

TSSOP - 1.2 mm max height

SMALL OUTLINE PACKAGE



SOLDER PASTE EXAMPLE
BASED ON 0.125 mm THICK STENCIL
SCALE:10X

4221848/A 02/2015

NOTES: (continued)

8. Laser cutting apertures with trapezoidal walls and rounded corners may offer better paste release. IPC-7525 may have alternate design recommendations.
9. Board assembly site may have different recommendations for stencil design.

重要声明和免责声明

TI 均以“原样”提供技术性及其可靠性数据（包括数据表）、设计资源（包括参考设计）、应用或其他设计建议、网络工具、安全信息和其他资源，不保证其中不含任何瑕疵，且不做任何明示或暗示的担保，包括但不限于对适销性、适合某特定用途或不侵犯任何第三方知识产权的暗示担保。

所述资源可供专业开发人员应用TI 产品进行设计使用。您将对以下行为独自承担全部责任：(1) 针对您的应用选择合适的TI 产品；(2) 设计、验证并测试您的应用；(3) 确保您的应用满足相应标准以及任何其他安全、安保或其他要求。所述资源如有变更，恕不另行通知。TI 对您使用所述资源的授权仅限于开发资源所涉及TI 产品的相关应用。除此之外不得复制或展示所述资源，也不提供其它TI 或任何第三方的知识产权授权许可。如因使用所述资源而产生任何索赔、赔偿、成本、损失及债务等，TI 对此概不负责，并且您须赔偿由此对TI 及其代表造成的损害。

TI 所提供产品均受TI 的销售条款 (<http://www.ti.com.cn/zh-cn/legal/termsofsale.html>) 以及ti.com.cn上或随附TI产品提供的其他可适用条款的约束。TI提供所述资源并不扩展或以其他方式更改TI 针对TI 产品所发布的可适用的担保范围或担保免责声明。

邮寄地址：上海市浦东新区世纪大道 1568 号中建大厦 32 楼，邮政编码：200122
Copyright © 2020 德州仪器半导体技术（上海）有限公司