

CDx4HC4020、CDx4HCT4020 高速 CMOS 逻辑 14 级二进制计数器

1 特性

- 全静态运行
- 缓冲输入
- 通用复位
- 负边沿时钟
- 扇出 (在温度范围内)
 - 标准输出: 10 个 LSTTL 负载
 - 总线驱动器输出: 15 个 LSTTL 负载
- 宽工作温度范围: -55°C 至 $+125^{\circ}\text{C}$
- 平衡的传播延迟及转换时间
- 与 LSTTL 逻辑 IC 相比, 功耗显著降低
- HC 类型
 - 工作电压为 2V 至 6V
 - 高抗噪性: 当 $V_{\text{CC}} = 5\text{V}$ 时, $N_{\text{IL}} = 30\%$, $N_{\text{IH}} = V_{\text{CC}}$ 的 30%
- HCT 类型
 - 工作电压为 4.5V 至 5.5V
 - 直接 LSTTL 输入逻辑兼容性, $V_{\text{IL}} = 0.8\text{V}$ (最大值), $V_{\text{IH}} = 2\text{V}$ (最小值)
 - CMOS 输入兼容性, 在 V_{OL} 、 V_{OH} 下 $I_{\text{I}} \leq 1\mu\text{A}$

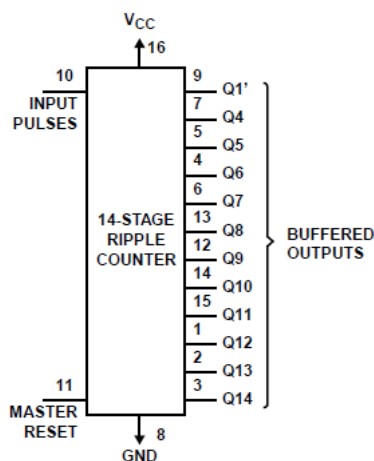
2 说明

'HC4020 和 'HCT4020 是 14 级纹波进位二进制计数器。所有计数器级均为控制器/外设触发器。输入脉冲每出现一次负时钟转换, 级的状态计数加一; MR 线上出现高电压电平会将所有计数器重置为零状态。所有输入和输出均采用缓冲机制。

器件信息

器件型号	封装 ⁽¹⁾	封装尺寸 (标称值)
CD54HC4020	J (CDIP、16)	24.38mm × 6.92mm
CD74HC4020CD74HC4020	D (SOIC、16)	9.90mm × 3.90mm
	N (PDIP、16)	19.31mm × 6.35mm
CD54HCT4020	J (CDIP、16)	24.38mm × 6.92mm
CD74HCT4020CD74HCT4020	D (SOIC、16)	9.90mm × 3.90mm
	N (PDIP、16)	19.31mm × 6.35mm

(1) 如需了解所有可用封装, 请参阅数据表末尾的可订购产品附录。



功能方框图



Table of Contents

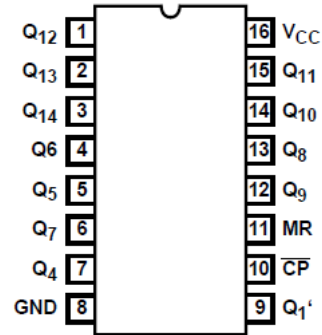
1 特性	1	7.2 Functional Block Diagram.....	9
2 说明	1	7.3 Device Functional Modes.....	10
3 Revision History	2	8 Power Supply Recommendations	11
4 Pin Configuration and Functions	3	9 Layout	11
5 Specifications	4	9.1 Layout Guidelines.....	11
5.1 Absolute Maximum Ratings.....	4	10 Device and Documentation Support	12
5.2 Recommended Operating Conditions.....	4	10.1 接收文档更新通知.....	12
5.3 Thermal Information.....	4	10.2 支持资源.....	12
5.4 Electrical Characteristics.....	5	10.3 Trademarks.....	12
5.5 Prerequisite for Switching Characteristics.....	6	10.4 Electrostatic Discharge Caution.....	12
5.6 Switching Characteristics.....	6	10.5 术语表.....	12
6 Parameter Measurement Information	8	11 Mechanical, Packaging, and Orderable Information	12
7 Detailed Description	9		
7.1 Overview.....	9		

3 Revision History

注：以前版本的页码可能与当前版本的页码不同

Changes from Revision C (October 2003) to Revision D (August 2022)	Page
• 更新了整个文档中的编号、格式、表格、图和交叉参考，以反映现代数据表标准.....	1

4 Pin Configuration and Functions



J, N, or D package
16-PIN CDIP, PDIP, or SOIC
Top View

5 Specifications

5.1 Absolute Maximum Ratings

		MIN	MAX	UNIT
V_{CC}	Supply voltage	- 0.5	7	V
I_{IK}	Input diode current	For $V_I < -0.5\text{ V}$ or $V_I > V_{CC} + 0.5\text{ V}$		± 20 mA
I_{OK}	Output diode current	For $V_O < -0.5\text{ V}$ or $V_O > V_{CC} + 0.5\text{ V}$		± 20 mA
I_O	Output source or sink current per output pin	For $V_O > -0.5\text{ V}$ or $V_O < V_{CC} + 0.5\text{ V}$		± 25 mA
	Continuous current through V_{CC} or GND		± 50	mA
T_J	Junction temperature		150	$^{\circ}\text{C}$
T_{stg}	Storage temperature range	- 65	150	$^{\circ}\text{C}$
	Lead temperature (Soldering 10s) (SOIC - lead tips only)		300	$^{\circ}\text{C}$

5.2 Recommended Operating Conditions

		MIN	MAX	UNIT	
V_{CC}	Supply voltage range	HC types	2	6	V
		HCT types	4.5	5.5	
V_I, V_O	DC input or output voltage	0	V_{CC}	V	
	Input rise and fall time	2 V		1000	ns
		4.5 V		500	
		6 V		400	
T_A	Temperature range	- 55	125	$^{\circ}\text{C}$	

5.3 Thermal Information

THERMAL METRIC		D (SOIC)	N (PDIP)	UNIT
		16 PINS	16 PINS	
$R_{\theta JA}$	Junction-to-ambient thermal resistance ⁽¹⁾	73	67	$^{\circ}\text{C}/\text{W}$

- (1) For more information about traditional and new thermal metrics, see the [Semiconductor and IC Package Thermal Metrics](#) application report.

5.4 Electrical Characteristics

PARAMETER		TEST CONDITIONS ⁽²⁾	V _{CC} (V)	25°C			-40°C to 85°C		-55°C to 125°C		UNIT
				MIN	TYP	MAX	MIN	MAX	MIN	MAX	
HC TYPES											
V _{IH}	High level input voltage		2	1.5			1.5		1.5		V
			4.5	3.15			3.15		3.15		
			6	4.2			4.2		4.2		
V _{IL}	Low level input voltage		2	0.5			0.5		0.5		V
			4.5	1.35			1.35		1.35		
			6	1.8			1.8		1.8		
V _{OH}	High level output voltage CMOS loads	I _{OH} = - 20 μA	2	1.9			1.9		1.9		V
		I _{OH} = - 20 μA	4.5	4.4			4.4		4.4		
		I _{OH} = - 20 μA	6	5.9			5.9		5.9		
	High level output voltage TTL loads	I _{OH} = 4 mA	4.5	3.98			3.84		3.7		V
		I _{OH} = 5.2 mA	6	5.48			5.34		5.2		
	V _{OL}	Low level output voltage CMOS loads	I _{OL} = 20 μA	2	0.1			0.1		0.1	
I _{OL} = 20 μA			4.5	0.1			0.1		0.1		
I _{OL} = 20 μA			6	0.1			0.1		0.1		
Low level output voltage TTL loads		I _{OL} = 4 mA	4.5	0.26			0.33		0.4		V
		I _{OL} = 5.2 mA	6	0.26			0.33		0.4		
I _I		Input leakage current	V _{CC} or GND	6	±0.1			±1		±1	
I _{CC}	Supply current	V _{CC} or GND	6	8			80		160		μA
HCT TYPES											
V _{IH}	High level input voltage		4.5 to 5.5	2			2		2		V
V _{IL}	Low level input voltage		4.5 to 5.5	0.8			0.8		0.8		V
V _{OH}	High level output voltage CMOS loads	I _{OH} = - 20 μA	4.5	4.4			4.4		4.4		V
	High level output voltage TTL loads	I _{OH} = - 4 mA	4.5	3.98			3.84		3.7		V
V _{OL}	Low level output voltage CMOS loads	I _{OL} = 20 μA	4.5	0.1			0.1		0.1		V
	Low level output voltage TTL loads	I _{OL} = 4 mA	4.5	0.26			0.33		0.4		V
I _I	Input leakage current	V _{CC} and GND	5.5	±0.1			±1		±1		μA
I _{CC}	Supply current	V _{CC} or GND	5.5	8			80		160		μA
Δ I _{CC} ⁽¹⁾	Additional supply current per input pin	MR input held at V _{CC} - 2.1	4.5 to 5.5	100 234			292.5		318.5		μA
		CP input held at V _{CC} - 2.1	4.5 to 5.5	100 180			225		245		μA

(1) For dual-supply systems theoretical worst case (V_I = 2.4 V, V_{CC} = 5.5 V) specification is 1.8 mA.

(2) $V_I = V_{IH}$ or V_{IL} , unless otherwise noted.

5.5 Prerequisite for Switching Characteristics

PARAMETER		V _{CC} (V)	25°C			-40°C to 85°C		-55°C to 125°C		UNIT
			MIN	TYP	MAX	MIN	MAX	MIN	MAX	
HC TYPES										
f _{MAX}	Maximum input pulse frequency	2	6			5		4		MHz
		4.5	30			25		20		
		6	35			29		24		
t _W	Input pulse width	2	80			100		120		ns
		4.5	16			20		24		
		6	14			17		20		
t _{REM}	Reset removal time	2	50			65		75		ns
		4.5	10			13		15		
		6	9			11		13		
t _W	Reset pulse width	2	80			100		120		ns
		4.5	16			20		24		
		6	14			17		20		
HCT TYPES										
f _{MAX}	Maximum input pulse frequency	4.5	25			20		16		MHz
t _W	Input pulse width	4.5	20			25		30		ns
t _{REC}	Reset recovery time	4.5	10			13		15		ns
t _W	Reset pulse width	4.5	20			25		30		ns

5.6 Switching Characteristics

Input t_r, t_f = 6 ns. See [Parameter Measurement Information](#)

PARAMETER		TEST CONDITIONS	V _{CC} (V)	25°C			-40°C to 85°C		-55°C to 125°C		UNIT
				MIN	TYP	MAX	MIN	MAX	MIN	MAX	
HC TYPES											
t _{PLH} , t _{PHL}	Propagation delay time CP to Q1' Output	C _L = 50 pF	2	140			175		210		ns
			4.5	28			35		42		
			C _L = 15 pF	5	11						
t _{PLH} , t _{PHL}	Q _n to Q _n + 1	C _L = 50 pF	2	75			95		110		ns
			4.5	15			19		22		
			C _L = 15 pF	5	6						
t _{PLH} , t _{PHL}	MR to Q _n	C _L = 50 pF	2	170			215		255		ns
			4.5	34			43		51		
			5	14							
			6	29			37		43		
t _{TLH} , t _{THL}	Output transition time	C _L = 50 pF	2	75			95		110		ns
			4.5	15			19		22		
			6	13			16		19		
C _{IN}	Input capacitance	C _L = 50 pF		10			10		10		pF
C _{PD}	Power dissipation capacitance ^{(1) (2)}	C _L = 15 pF	5	30							pF
HCT TYPES											

5.6 Switching Characteristics (continued)

Input t_r , t_f = 6 ns. See [Parameter Measurement Information](#)

PARAMETER		TEST CONDITIONS	V_{CC} (V)	25°C			-40°C to 85°C		-55°C to 125°C		UNIT
				MIN	TYP	MAX	MIN	MAX	MIN	MAX	
t_{PLH} , t_{PHL}	Propagation delay time	$C_L = 50$ pF	4.5		40		50		60	ns	
	CP to Q1' Output	$C_L = 15$ pF	5	17							
t_{PLH} , t_{PHL}	Qn to Q _n + 1	$C_L = 50$ pF	4.5		15		19		22	ns	
		$C_L = 15$ pF	5	6							
t_{PLH} , t_{PHL}	MR to Q _n	$C_L = 50$ pF	4.5		40		50		60	ns	
		$C_L = 15$ pF	5	17							
t_{TLH} , t_{THL}	Output transition	$C_L = 50$ pF	4.5		15		19		22	ns	
C_{IN}	Input capacitance	$C_L = 50$ pF			10		10		10	pF	
C_{PD}	Power dissipation capacitance ^{(1) (2)}	$C_L = 15$ pF	5		30					pF	

(1) C_{PD} is used to determine the dynamic power consumption, per package.

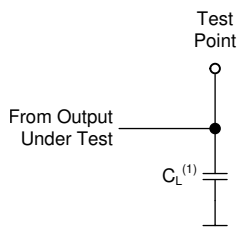
(2) $P_D = V_{CC}^2 f_i (C_{PD} + C_L)$ where f_i = Input frequency, C_L = Output load capacitance, V_{CC} = Supply Voltage.

6 Parameter Measurement Information

Phase relationships between waveforms were chosen arbitrarily. All input pulses are supplied by generators having the following characteristics: $PRR \leq 1$ MHz, $Z_O = 50 \Omega$, $t_t < 6$ ns.

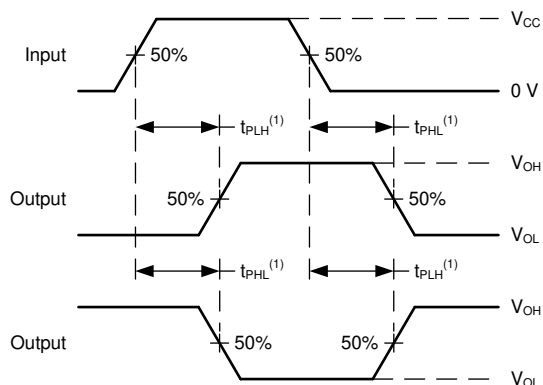
For clock inputs, f_{max} is measured when the input duty cycle is 50%.

The outputs are measured one at a time with one input transition per measurement.



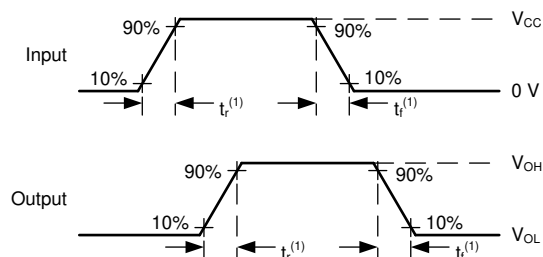
(1) C_L includes probe and test-fixture capacitance.

图 6-1. Load Circuit for Push-Pull Outputs



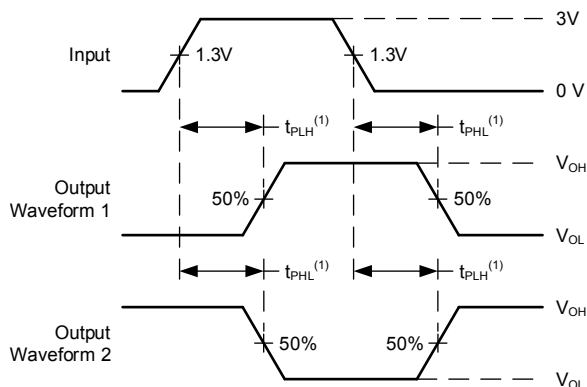
(1) The greater between t_{PLH} and t_{PHL} is the same as t_{pd} .

图 6-2. Voltage Waveforms, Propagation Delays for Standard CMOS Inputs



(1) The greater between t_r and t_f is the same as t_t .

图 6-3. Voltage Waveforms, Input and Output Transition Times for Standard CMOS Inputs



(1) The greater between t_{PLH} and t_{PHL} is the same as t_{pd} .

图 6-4. Voltage Waveforms, Propagation Delays for TTL-Compatible Inputs

7 Detailed Description

7.1 Overview

The ' HC4020 and ' HCT4020 are 14-stage ripple-carry binary counters. All counter stages are controller flipflops. The state of the stage advances one count on the negative clock transition of each input pulse; a high voltage level on the CLR line resets all counters to their zero state. All inputs and outputs are buffered.

7.2 Functional Block Diagram

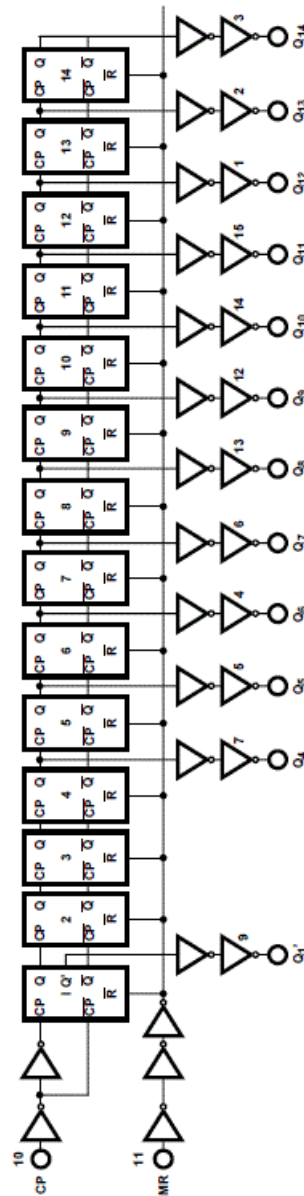


图 7-1. Functional Diagram

7.3 Device Functional Modes

表 7-1. Truth Table

CP COUNT ⁽¹⁾	MR	OUTPUT STATE
↑	L	No change
↓	L	Advance to next state
X	H	All outputs are low

- (1) H = High Voltage Level, L = Low Voltage Level, X = Don't Care
↑ = Transition from Low to High Level, ↓ = Transition from High to Low.

8 Power Supply Recommendations

The power supply can be any voltage between the minimum and maximum supply voltage rating located in the *Recommended Operating Conditions*. Each V_{CC} terminal should have a good bypass capacitor to prevent power disturbance. A 0.1- μ F capacitor is recommended for this device. It is acceptable to parallel multiple bypass caps to reject different frequencies of noise. The 0.1- μ F and 1- μ F capacitors are commonly used in parallel. The bypass capacitor should be installed as close to the power terminal as possible for best results.

9 Layout

9.1 Layout Guidelines

When using multiple-input and multiple-channel logic devices inputs must not ever be left floating. In many cases, functions or parts of functions of digital logic devices are unused; for example, when only two inputs of a triple-input AND gate are used or only 3 of the 4 buffer gates are used. Such unused input pins must not be left unconnected because the undefined voltages at the outside connections result in undefined operational states. All unused inputs of digital logic devices must be connected to a logic high or logic low voltage, as defined by the input voltage specifications, to prevent them from floating. The logic level that must be applied to any particular unused input depends on the function of the device. Generally, the inputs are tied to GND or V_{CC} , whichever makes more sense for the logic function or is more convenient.

10 Device and Documentation Support

TI offers an extensive line of development tools. Tools and software to evaluate the performance of the device, generate code, and develop solutions are listed below.

10.1 接收文档更新通知

要接收文档更新通知，请导航至 ti.com 上的器件产品文件夹。点击 [订阅更新](#) 进行注册，即可每周接收产品信息更改摘要。有关更改的详细信息，请查看任何已修订文档中包含的修订历史记录。

10.2 支持资源

TI E2E™ [支持论坛](#) 是工程师的重要参考资料，可直接从专家获得快速、经过验证的解答和设计帮助。搜索现有解答或提出自己的问题可获得所需的快速设计帮助。

链接的内容由各个贡献者“按原样”提供。这些内容并不构成 TI 技术规范，并且不一定反映 TI 的观点；请参阅 TI 的 [《使用条款》](#)。

10.3 Trademarks

TI E2E™ is a trademark of Texas Instruments.

所有商标均为其各自所有者的财产。

10.4 Electrostatic Discharge Caution



This integrated circuit can be damaged by ESD. Texas Instruments recommends that all integrated circuits be handled with appropriate precautions. Failure to observe proper handling and installation procedures can cause damage.

ESD damage can range from subtle performance degradation to complete device failure. Precision integrated circuits may be more susceptible to damage because very small parametric changes could cause the device not to meet its published specifications.

10.5 术语表

[TI 术语表](#) 本术语表列出并解释了术语、首字母缩略词和定义。

11 Mechanical, Packaging, and Orderable Information

The following pages include mechanical, packaging, and orderable information. This information is the most current data available for the designated devices. This data is subject to change without notice and revision of this document. For browser-based versions of this data sheet, refer to the left-hand navigation.

PACKAGING INFORMATION

Orderable part number	Status (1)	Material type (2)	Package Pins	Package qty Carrier	RoHS (3)	Lead finish/ Ball material (4)	MSL rating/ Peak reflow (5)	Op temp (°C)	Part marking (6)
5962-8945801EA	Active	Production	CDIP (J) 16	25 TUBE	No	SNPB	N/A for Pkg Type	-55 to 125	5962-8945801EA CD54HCT4020F3A
CD54HC4020F	Active	Production	CDIP (J) 16	25 TUBE	No	SNPB	N/A for Pkg Type	-55 to 125	CD54HC4020F
CD54HC4020F3A	Active	Production	CDIP (J) 16	25 TUBE	No	SNPB	N/A for Pkg Type	-55 to 125	8500301EA CD54HC4020F3A
CD54HCT4020F3A	Active	Production	CDIP (J) 16	25 TUBE	No	SNPB	N/A for Pkg Type	-55 to 125	5962-8945801EA CD54HCT4020F3A
CD74HC4020E	Active	Production	PDIP (N) 16	25 TUBE	Yes	NIPDAU	N/A for Pkg Type	-55 to 125	CD74HC4020E
CD74HC4020M	Obsolete	Production	SOIC (D) 16	-	-	Call TI	Call TI	-55 to 125	HC4020M
CD74HC4020M96	Active	Production	SOIC (D) 16	2500 LARGE T&R	Yes	NIPDAU SN	Level-1-260C-UNLIM	-55 to 125	HC4020M
CD74HCT4020E	Active	Production	PDIP (N) 16	25 TUBE	Yes	NIPDAU	N/A for Pkg Type	-55 to 125	CD74HCT4020E
CD74HCT4020M	Obsolete	Production	SOIC (D) 16	-	-	Call TI	Call TI	-55 to 125	HCT4020M
CD74HCT4020M96	Active	Production	SOIC (D) 16	2500 LARGE T&R	Yes	NIPDAU	Level-1-260C-UNLIM	-55 to 125	HCT4020M
CD74HCT4020MT	Obsolete	Production	SOIC (D) 16	-	-	Call TI	Call TI	-55 to 125	HCT4020M

(1) **Status:** For more details on status, see our [product life cycle](#).

(2) **Material type:** When designated, preproduction parts are prototypes/experimental devices, and are not yet approved or released for full production. Testing and final process, including without limitation quality assurance, reliability performance testing, and/or process qualification, may not yet be complete, and this item is subject to further changes or possible discontinuation. If available for ordering, purchases will be subject to an additional waiver at checkout, and are intended for early internal evaluation purposes only. These items are sold without warranties of any kind.

(3) **RoHS values:** Yes, No, RoHS Exempt. See the [TI RoHS Statement](#) for additional information and value definition.

(4) **Lead finish/Ball material:** Parts may have multiple material finish options. Finish options are separated by a vertical ruled line. Lead finish/Ball material values may wrap to two lines if the finish value exceeds the maximum column width.

(5) **MSL rating/Peak reflow:** The moisture sensitivity level ratings and peak solder (reflow) temperatures. In the event that a part has multiple moisture sensitivity ratings, only the lowest level per JEDEC standards is shown. Refer to the shipping label for the actual reflow temperature that will be used to mount the part to the printed circuit board.

(6) **Part marking:** There may be an additional marking, which relates to the logo, the lot trace code information, or the environmental category of the part.

Multiple part markings will be inside parentheses. Only one part marking contained in parentheses and separated by a "~" will appear on a part. If a line is indented then it is a continuation of the previous line and the two combined represent the entire part marking for that device.

Important Information and Disclaimer:The information provided on this page represents TI's knowledge and belief as of the date that it is provided. TI bases its knowledge and belief on information provided by third parties, and makes no representation or warranty as to the accuracy of such information. Efforts are underway to better integrate information from third parties. TI has taken and continues to take reasonable steps to provide representative and accurate information but may not have conducted destructive testing or chemical analysis on incoming materials and chemicals. TI and TI suppliers consider certain information to be proprietary, and thus CAS numbers and other limited information may not be available for release.

In no event shall TI's liability arising out of such information exceed the total purchase price of the TI part(s) at issue in this document sold by TI to Customer on an annual basis.

OTHER QUALIFIED VERSIONS OF CD54HC4020, CD54HCT4020, CD74HC4020, CD74HCT4020 :

- Catalog : [CD74HC4020](#), [CD74HCT4020](#)
- Military : [CD54HC4020](#), [CD54HCT4020](#)

NOTE: Qualified Version Definitions:

- Catalog - TI's standard catalog product
- Military - QML certified for Military and Defense Applications

TAPE AND REEL INFORMATION



QUADRANT ASSIGNMENTS FOR PIN 1 ORIENTATION IN TAPE



*All dimensions are nominal

Device	Package Type	Package Drawing	Pins	SPQ	Reel Diameter (mm)	Reel Width W1 (mm)	A0 (mm)	B0 (mm)	K0 (mm)	P1 (mm)	W (mm)	Pin1 Quadrant
CD74HC4020M96	SOIC	D	16	2500	330.0	16.4	6.5	10.3	2.1	8.0	16.0	Q1
CD74HCT4020M96	SOIC	D	16	2500	330.0	16.4	6.5	10.3	2.1	8.0	16.0	Q1

TAPE AND REEL BOX DIMENSIONS


*All dimensions are nominal

Device	Package Type	Package Drawing	Pins	SPQ	Length (mm)	Width (mm)	Height (mm)
CD74HC4020M96	SOIC	D	16	2500	356.0	356.0	35.0
CD74HCT4020M96	SOIC	D	16	2500	340.5	336.1	32.0

TUBE


*All dimensions are nominal

Device	Package Name	Package Type	Pins	SPQ	L (mm)	W (mm)	T (μm)	B (mm)
CD74HC4020E	N	PDIP	16	25	506	13.97	11230	4.32
CD74HC4020E	N	PDIP	16	25	506	13.97	11230	4.32
CD74HC4020EE4	N	PDIP	16	25	506	13.97	11230	4.32
CD74HC4020EE4	N	PDIP	16	25	506	13.97	11230	4.32
CD74HCT4020E	N	PDIP	16	25	506	13.97	11230	4.32
CD74HCT4020E	N	PDIP	16	25	506	13.97	11230	4.32

D (R-PDSO-G16)

PLASTIC SMALL OUTLINE



4040047-6/M 06/11

- NOTES:
- A. All linear dimensions are in inches (millimeters).
 - B. This drawing is subject to change without notice.
 -  C. Body length does not include mold flash, protrusions, or gate burrs. Mold flash, protrusions, or gate burrs shall not exceed 0.006 (0,15) each side.
 -  D. Body width does not include interlead flash. Interlead flash shall not exceed 0.017 (0,43) each side.
 - E. Reference JEDEC MS-012 variation AC.

J (R-GDIP-T**)

14 LEADS SHOWN

CERAMIC DUAL IN-LINE PACKAGE



DIM \ PINS **	14	16	18	20
A	0.300 (7,62) BSC	0.300 (7,62) BSC	0.300 (7,62) BSC	0.300 (7,62) BSC
B MAX	0.785 (19,94)	.840 (21,34)	0.960 (24,38)	1.060 (26,92)
B MIN	—	—	—	—
C MAX	0.300 (7,62)	0.300 (7,62)	0.310 (7,87)	0.300 (7,62)
C MIN	0.245 (6,22)	0.245 (6,22)	0.220 (5,59)	0.245 (6,22)



4040083/F 03/03

- NOTES:
- All linear dimensions are in inches (millimeters).
 - This drawing is subject to change without notice.
 - This package is hermetically sealed with a ceramic lid using glass frit.
 - Index point is provided on cap for terminal identification only on press ceramic glass frit seal only.
 - Falls within MIL STD 1835 GDIP1-T14, GDIP1-T16, GDIP1-T18 and GDIP1-T20.

N (R-PDIP-T**)

PLASTIC DUAL-IN-LINE PACKAGE

16 PINS SHOWN



- NOTES:
- A. All linear dimensions are in inches (millimeters).
 - B. This drawing is subject to change without notice.
 - Falls within JEDEC MS-001, except 18 and 20 pin minimum body length (Dim A).
 - The 20 pin end lead shoulder width is a vendor option, either half or full width.

重要通知和免责声明

TI“按原样”提供技术和可靠性数据（包括数据表）、设计资源（包括参考设计）、应用或其他设计建议、网络工具、安全信息和其他资源，不保证没有瑕疵且不做任何明示或暗示的担保，包括但不限于对适销性、某特定用途方面的适用性或不侵犯任何第三方知识产权的暗示担保。

这些资源可供使用 TI 产品进行设计的熟练开发人员使用。您将自行承担以下全部责任：(1) 针对您的应用选择合适的 TI 产品，(2) 设计、验证并测试您的应用，(3) 确保您的应用满足相应标准以及任何其他功能安全、信息安全、监管或其他要求。

这些资源如有变更，恕不另行通知。TI 授权您仅可将这些资源用于研发本资源所述的 TI 产品的相关应用。严禁以其他方式对这些资源进行复制或展示。您无权使用任何其他 TI 知识产权或任何第三方知识产权。您应全额赔偿因在这些资源的使用中对 TI 及其代表造成的任何索赔、损害、成本、损失和债务，TI 对此概不负责。

TI 提供的产品受 [TI 的销售条款](#) 或 [ti.com](#) 上其他适用条款/TI 产品随附的其他适用条款的约束。TI 提供这些资源并不会扩展或以其他方式更改 TI 针对 TI 产品发布的适用的担保或担保免责声明。

TI 反对并拒绝您可能提出的任何其他或不同的条款。

邮寄地址：Texas Instruments, Post Office Box 655303, Dallas, Texas 75265
版权所有 © 2025，德州仪器 (TI) 公司