

# bq2419x 具有窄范围 VDC 电源路径管理和 USB OTG 的 I<sup>2</sup>C 控制 4.5A 单节 USB/适配器充电器

## 4.5A 单节 USB/适配器充电器

### 1 特性

- 高效 4.5A 开关模式充电器
  - 2A 充电电流下的充电效率达 92%；4A 充电电流下的充电效率达 90%
  - 通过电池路径阻抗补偿缩短充电时间
- 兼容 MaxLife 技术，与 bq27531 搭配使用时可实现快速充电
- 借助 12mΩ 电池放电金属氧化物半导体场效应晶体管 (MOSFET) 实现最高电池放电效率，放电电流高达 9A
- 单输入 USB 兼容/适配器充电器
  - 与 USB 电池充电器技术规格 1.2 兼容的 USB 主机或充电端口 D+/D- 检测
  - 输入电压和电流限制支持 USB 2.0 和 USB 3.0
  - 输入电流限值：100mA、150mA、500mA、900mA、1.2A、1.5A、2A 和 3A
- 输入工作电压范围：3.9V 至 17V
  - 通过输入电压动态电源管理 (DPM) 调节功能支持所有类型的适配器
- USB OTG 5V/1.3A 同步升压转换器操作
  - 5V/1A 条件下的升压效率达 93%
- 窄 VDC (NVDC) 电源路径管理
  - 与无电池或深度放电电池工作时可瞬时接通
  - 电池管理模式中的理想二极管运行
- 薄型电感的开关频率为 1.5MHz
- 具有或不具有主机管理的自主电池充电
  - 电池充电使能
  - 电池充电预调节
  - 充电终止和再充电
- 高精度 (0°C 至 125°C)
  - 充电电压调节范围为 ±0.5%
  - 充电电流调节范围为 ±7%
  - 输入电流调节范围为 ±7.5%
  - 升压模式下输出调节范围 ±2%
- 高集成
  - 电源路径管理
  - 同步开关 MOSFET

- 集成电流感测
- 阴极负载二极管
- 内部环路补偿
- 安全性
  - 电池温度感测和充电安全定时器
  - 热调节和热关断
  - 输入系统过压保护
  - MOSFET 过流保护
- 针对 LED 或主机处理器的充电状态输出
- 低电池泄漏电流并支持关闭模式
- 4.00mm x 4.00mm 紧凑型超薄四方扁平无引线 (VQFN)-24 封装

### 2 应用

- 平板电脑和智能手机
- 便携式音频扬声器
- 便携式媒体播放器
- 互联网器件

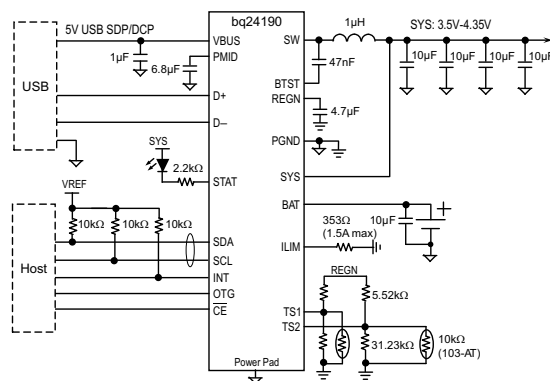
### 3 说明

bq24190、bq24192 和 bq24192I 是高度集成的开关模式电池管理和系统电源路径管理器件，适用于各类、平板电脑和其他便携式设备的单节锂离子和锂聚合物电池。

#### 器件信息<sup>(1)</sup>

| 产品型号     | 封装        | 封装尺寸 (标称值)      |
|----------|-----------|-----------------|
| bq24190  | VQFN (24) | 4.00mm x 4.00mm |
| bq24192  |           |                 |
| bq24192I |           |                 |

(1) 如需了解所有可用封装，请见数据表末尾的可订购产品附录。



## 目录

|   |   |
|---|---|
| <p>1 特性 ..... 1</p> <p>2 应用 ..... 1</p> <p>3 说明 ..... 1</p> <p>4 修订历史记录 ..... 2</p> <p>5 说明 (续) ..... 3</p> <p>6 <b>Device Comparison Table</b> ..... 3</p> <p>7 <b>Pin Configuration and Functions</b> ..... 4</p> <p>8 <b>Specifications</b> ..... 5</p> <p>    8.1 Absolute Maximum Ratings ..... 5</p> <p>    8.2 ESD Ratings ..... 6</p> <p>    8.3 Recommended Operating Conditions ..... 6</p> <p>    8.4 Thermal Information ..... 6</p> <p>    8.5 Electrical Characteristics ..... 6</p> <p>    8.6 Typical Characteristics ..... 9</p> <p>9 <b>Detailed Description</b> ..... 12</p> <p>    9.1 Overview ..... 12</p> <p>    9.2 Functional Block Diagram ..... 12</p> | <p>9.3 Feature Description ..... 13</p> <p>9.4 Device Functional Modes ..... 27</p> <p>9.5 Register Map ..... 28</p> <p><b>10 Application and Implementation</b> ..... 36</p> <p>    10.1 Application Information ..... 36</p> <p>    10.2 Typical Application ..... 36</p> <p><b>11 Power Supply Recommendations</b> ..... 41</p> <p><b>12 Layout</b> ..... 41</p> <p>    12.1 Layout Guidelines ..... 41</p> <p>    12.2 Layout Example ..... 42</p> <p><b>13 器件和文档支持</b> ..... 43</p> <p>    13.1 文档支持 ..... 43</p> <p>    13.2 相关链接 ..... 43</p> <p>    13.3 商标 ..... 43</p> <p>    13.4 静电放电警告 ..... 43</p> <p>    13.5 术语表 ..... 43</p> <p><b>14 机械、封装和可订购信息</b> ..... 44</p> |
|---|---|

## 4 修订历史记录

### Changes from Revision A (October 2012) to Revision B

Page

|   |   |
|---|---|
| <ul style="list-style-type: none"> <li>• 已统一 整篇数据表 中的封装说明 ..... 1</li> <li>• 已添加 ESD 额定值, 特性 描述, 器件功能模式, 应用和实施, 电源相关建议, 布局, 器件和文档支持以及机械、封装和可订购信息。 ..... 1</li> <li>• 已添加 特性: 兼容 MaxLife 技术, 与 bq27531 搭配使用时可实现快速充电 ..... 1</li> <li>• 已更改 <math>V_{SLEEPZ}</math>, <math>V_{BAT\_DPL\_HY}</math>, <math>V_{BATGD}</math>, <math>I_{CHG\_20pct}</math>, <math>V_{SHORT}</math>, <math>I_{ADPT\_DPM}</math>, <math>K_{ILIM}</math>, <math>V_{BTST\_REFRESH}</math> in Electrical Characteristics ..... 6</li> <li>• 已添加 <math>-40^{\circ}\text{C}</math> to <math>85^{\circ}\text{C}</math> to <math>I_{BAT}</math> Test Condition ..... 6</li> <li>• 已添加 <math>REG00[6:3] = 0110</math> (4.36 V) or <math>1011</math> (4.76 V) to <math>V_{INDPM\_REG\_ACC}</math> Test Conditions ..... 8</li> <li>• 已添加 Typical input current of 1.5 A based on KLIM to <math>I_{ADPT\_DPM}</math> Test Conditions ..... 8</li> <li>• Added a MIN value of 435 to <math>K_{ILIM}</math> ..... 8</li> <li>• 已删除 <math>T_{Junction\_REG}</math> MIN and MAX ..... 8</li> <li>• 已添加 rising to <math>V_{HTF}</math> parameter ..... 8</li> <li>• 已删除 <math>V_{REGN}</math>, <math>V_{VBUS} = 5\text{ V}</math>, <math>I_{REGN} = 20\text{ mA MAX value}</math> ..... 9</li> <li>• 已更改 Functional Block Diagram ..... 12</li> <li>• 已更改 Charging Current in 表 4 ..... 18</li> <li>• 已更改 <math>REG09[5:4]</math> to <math>REG08[5:4]</math> in Charging Termination section ..... 21</li> <li>• 已添加 or when FORCE_20PCT (REG02[0]) bit is set, to Charging Safety Timer description ..... 22</li> <li>• 已添加 last paragraph to Charging Safety Timer description ..... 22</li> <li>• 已添加 twice to Host Mode and Default Mode description ..... 27</li> <li>• 已更改 <math>REG05[5:4]=11</math> to <math>REG05[5:4]=00</math> in Host Mode and Default Mode description ..... 27</li> <li>• 已更改 Charge Current Control Register REG02 Bit 0 description ..... 31</li> <li>• 已更改 Charge Current Control Register REG02 Bit 0 note ..... 31</li> <li>• 已更改 REG05 Bit 0 from JEITA ISET (<math>0^{\circ}\text{C}</math>-<math>10^{\circ}\text{C}</math>) to Reserved ..... 32</li> <li>• 已更改 REG07 Bit 4 from JEITA_VSET (<math>45^{\circ}\text{C}</math> to <math>60^{\circ}\text{C}</math>) to Reserved ..... 33</li> <li>• 已更改 BOOT to BTST in 图 38 ..... 37</li> <li>• 已更改 BOOT to BTST in 图 39 ..... 37</li> <li>• 已更改 bq24193 to bq24192 in 图 42 ..... 39</li> </ul> | <p>1</p> <p>1</p> <p>1</p> <p>6</p> <p>6</p> <p>8</p> <p>8</p> <p>8</p> <p>8</p> <p>8</p> <p>8</p> <p>9</p> <p>12</p> <p>18</p> <p>21</p> <p>22</p> <p>22</p> <p>27</p> <p>27</p> <p>31</p> <p>31</p> <p>32</p> <p>33</p> <p>37</p> <p>37</p> <p>39</p> |
|---|---|

## 5 说明（续）

它的低阻抗电源路径对开关模式运行效率进行了优化、减少了电池充电时间并延长了放电阶段的电池寿命。具有充电和系统设置的 I<sup>2</sup>C 串行接口使得此器件成为一个真正地灵活解决方案。

此器件支持宽范围的输入源，其中包括标准 USB 主机端口，USB 充电端口和高功率 DC 适配器。为了设定默认输入电流限值，bq24190 根据 USB 电池充电规范 1.2 检测输入源，而 bq24192 和 bq24192I 从系统检测电路（如 USB PHY 器件）中获取结果。bq24190、192 和 192I 符合 USB 2.0 和 USB 3.0 电源规范，具有输入电流和电压调节功能。同时，bq24190、bq24192 和 bq24192I 具有高达 1.3A 的限流能力，能够为 VBUS 提供 5V 电压，符合 USB On-the-Go (OTG) 运行功率额定值规范。

电源路径管理将系统电压调节为稍稍高于电池电压，但是又不会下降到低于 3.5V 最小系统电压（可编程）。借助于这个特性，即使在电池电量完全耗尽或者电池被拆除时，系统也能保持运行。当达到输入电流限值或电压限值时，电源路径管理自动将充电电流减少为 0。随着系统负载持续增加，电源路径在满足系统电源需求之前将电池放电。这个补充模式运行防止输入源过载。

此器件在无需软件控制情况下启动并完成一个充电周期。它自动检测电池电压并通过三个阶段为电池充电：预充电、恒定电流和恒定电压。在充电周期的末尾，当充电电流低于在恒定电压阶段中预设的限值时，充电器自动终止。当整个电池下降到低于再充电阈值时，充电器将自动启动另外一个充电周期。

bq24190、bq24192 和 bq24192I 提供针对电池充电和系统运行的多种安全特性，其中包括两组负温度系数热敏电阻监视、充电安全定时器和过压/过流保护。当结温超过 120°C（可设定）时，热调节减少充电电流。

STAT 输出报告充电状态和任何故障条件。bq24192 和 bq24192I 中的  $\overline{\text{PG}}$  输出指示电源是否正常。当故障发生时，INT 会立即通知主机。

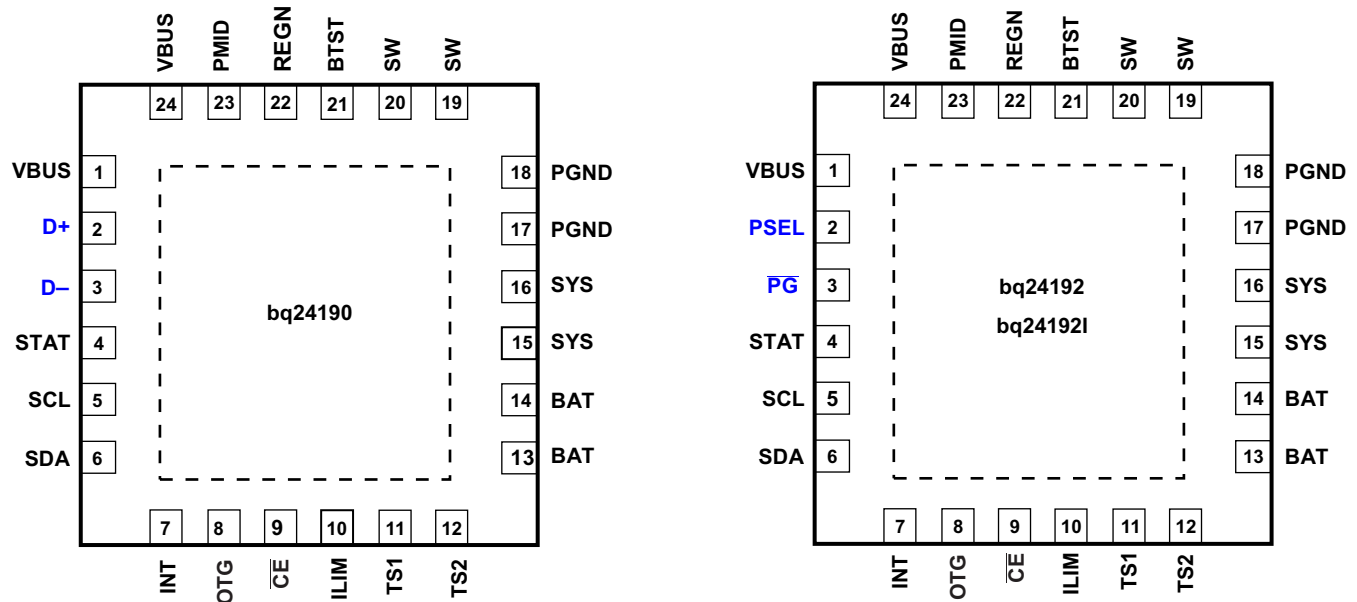
bq24190、bq24192 和 bq24192I 采用 24 引脚、4.00mm x 4.00mm<sup>2</sup> 超薄型四方扁平无引线 (VQFN) 封装。

## 6 Device Comparison Table

|                               | <b>bq24190</b>        | <b>bq24192</b>               | <b>bq24192I</b>              |
|-------------------------------|-----------------------|------------------------------|------------------------------|
| I <sup>2</sup> C Address      | 6BH                   | 6BH                          | 6BH                          |
| USB Detection                 | D+/D-                 | PSEL                         | PSEL                         |
| Default VINDPM                | 4.36 V                | 4.36 V                       | 4.44 V                       |
| Default Battery Voltage       | 4.208 V               | 4.208 V                      | 4.112 V                      |
| Default Charge Current        | 2.048 A               | 2.048 A                      | 1.024 A                      |
| Default Adapter Current Limit | 1.5 A                 | 3 A                          | 1.5 A                        |
| Maximum Pre-Charge Current    | 2.048 A               | 2.048 A                      | 640 mA                       |
| Charging Temperature Profile  | Cold/Hot<br>2 TS pins | Cold/Hot<br>2 TS pins        | Cold/Hot<br>2 TS pins        |
| Status Output                 | STAT                  | STAT, $\overline{\text{PG}}$ | STAT, $\overline{\text{PG}}$ |
| STAT During Fault             | Blinking at 1 Hz      | Blinking at 1 Hz             | 10 k to ground               |

## 7 Pin Configuration and Functions

**RGE Package**  
**24-Pin VQFN With Exposed Thermal Pad**  
**(Top View)**



Blue pins indicate difference in pin names/functionality between devices.

### Pin Functions

| PIN                    |                        | NUMBER | TYPE           | DESCRIPTION  |
|------------------------|------------------------|--------|----------------|--|
| bq24190                | bq24192<br>bq24192I    |        |                |  |
| VBUS                   | VBUS                   | 1,24   | P              | Charger Input Voltage. The internal n-channel reverse block MOSFET (RBFET) is connected between VBUS and PMID with VBUS on source. Place a 1- $\mu$ F ceramic capacitor from VBUS to PGND and place it as close as possible to IC. (Refer to Application Information Section for details)  |
| D+                     | –                      | 2      | I<br>Analog    | Positive line of the USB data line pair. D+/D– based USB host/charging port detection. The detection includes data contact detection (DCD) and primary detection in bc1.2.   |
| –                      | PSEL                   | 2      | I<br>Digital   | Power source selection input. High indicates a USB host source and Low indicates an adapter source.  |
| D–                     | –                      | 3      | I<br>Analog    | Negative line of the USB data line pair. D+/D– based USB host/charging port detection. The detection includes data contact detection (DCD) and primary detection in bc1.2.   |
| –                      | $\overline{\text{PG}}$ | 3      | O<br>Digital   | Open drain active low power good indicator. Connect to the pull up rail via 10-k $\Omega$ resistor. LOW indicates a good input source if the input voltage is between UVLO and ACOV, above SLEEP mode threshold, and current limit is above 30 mA.   |
| STAT                   | STAT                   | 4      | O<br>Digital   | Open drain charge status output to indicate various charger operation. Connect to the pull up rail via 10-k $\Omega$ . LOW indicates charge in progress. HIGH indicates charge complete or charge disabled. When any fault condition occurs, STAT pin in bq24190, bq24192 blinks at 1 Hz, and STAT pin in bq24192I has a 10-k $\Omega$ resistor to ground. |
| SCL                    | SCL                    | 5      | I<br>Digital   | I <sup>2</sup> C Interface clock. Connect SCL to the logic rail through a 10-k $\Omega$ resistor.  |
| SDA                    | SDA                    | 6      | I/O<br>Digital | I <sup>2</sup> C Interface data. Connect SDA to the logic rail through a 10-k $\Omega$ resistor.   |
| INT                    | INT                    | 7      | O<br>Digital   | Open-drain Interrupt Output. Connect the INT to a logic rail via 10-k $\Omega$ resistor. The INT pin sends active low, 256- $\mu$ s pulse to host to report charger device status and fault.   |
| OTG                    | OTG                    | 8      | I<br>Digital   | USB current limit selection pin during buck mode, and active high enable pin during boost mode.<br>In buck mode with USB host (PSEL=High), when OTG = High, IIN limit = 500 mA and when OTG = Low, IIN limit = 100 mA.<br>The boost mode is activated when the REG01[5:4] = 10 and OTG pin is High.  |
| $\overline{\text{CE}}$ | CE                     | 9      | I<br>Digital   | Active low Charge Enable pin. Battery charging is enabled when REG01[5:4] = 01 and $\overline{\text{CE}}$ pin = Low. $\overline{\text{CE}}$ pin must be pulled high or low.  |

### Pin Functions (continued)

| PIN         |                     | NUMBER | TYPE        | DESCRIPTION   |
|-------------|---------------------|--------|-------------|---|
| bq24190     | bq24192<br>bq24192I |        |             |   |
| ILIM        | ILIM                | 10     | I<br>Analog | ILIM pin sets the maximum input current limit by regulating the ILIM voltage at 1 V. A resistor is connected from ILIM pin to ground to set the maximum limit as $I_{INMAX} = (1V/R_{ILIM}) \times 530$ . The actual input current limit is the lower one set by ILIM and by I <sup>2</sup> C REG00[2:0]. The minimum input current programmed on ILIM pin is 500 mA. |
| TS1         | TS1                 | 11     | I<br>Analog | Temperature qualification voltage input #1. Connect a negative temperature coefficient thermistor. Program temperature window with a resistor divider from REGN to TS1 to GND. Charge suspends when either TS pin is out of range. Recommend 103AT-2 thermistor.  |
| TS2         | TS2                 | 12     | I<br>Analog | Temperature qualification voltage input #2. Connect a negative temperature coefficient thermistor. Program temperature window with a resistor divider from REGN to TS2 to GND. Charge suspends when either TS pin is out of range. Recommend 103AT-2 thermistor.  |
| BAT         | BAT                 | 13,14  | P           | Battery connection point to the positive terminal of the battery pack. The internal BATFET is connected between BAT and SYS. Connect a 10 $\mu$ F closely to the BAT pin.   |
| SYS         | SYS                 | 15,16  | P           | System connection point. The internal BATFET is connected between BAT and SYS. When the battery falls below the minimum system voltage, switch-mode converter keeps SYS above the minimum system voltage. (Refer to Application Information Section for inductor and capacitor selection.)  |
| PGND        | PGND                | 17,18  | P           | Power ground connection for high-current power converter node. Internally, PGND is connected to the source of the n-channel LSFET. On PCB layout, connect directly to ground connection of input and output capacitors of the charger. A single point connection is recommended between power PGND and the analog GND near the IC PGND pin.                           |
| SW          | SW                  | 19,20  | O<br>Analog | Switching node connecting to output inductor. Internally SW is connected to the source of the n-channel HSFET and the drain of the n-channel LSFET. Connect the 0.047- $\mu$ F bootstrap capacitor from SW to BTST.   |
| BTST        | BTST                | 21     | P           | PWM high side driver positive supply. Internally, the BTST is connected to the anode of the boost-strap diode. Connect the 0.047- $\mu$ F bootstrap capacitor from SW to BTST.  |
| REGN        | REGN                | 22     | P           | PWM low side driver positive supply output. Internally, REGN is connected to the cathode of the boost-strap diode. Connect a 4.7- $\mu$ F (10-V rating) ceramic capacitor from REGN to analog GND. The capacitor should be placed close to the IC. REGN also serves as bias rail of TS1 and TS2 pins.   |
| PMID        | PMID                | 23     | O<br>Analog | Connected to the drain of the reverse blocking MOSFET and the drain of HSFET. Given the total input capacitance, connect a 1- $\mu$ F capacitor on VBUS to PGND, and the rest all on PMID to PGND. (Refer to Application Information Section for details)   |
| Thermal Pad | –                   | –      | P           | Exposed pad beneath the IC for heat dissipation. Always solder thermal pad to the board, and have vias on the thermal pad plane star-connecting to PGND and ground plane for high-current power converter.  |

## 8 Specifications

### 8.1 Absolute Maximum Ratings<sup>(1)</sup>

over operating free-air temperature range (unless otherwise noted)

|                                       |  | MIN   | MAX  | UNIT |
|---------------------------------------|--|-------|------|------|
| Voltage range (with respect to GND)   | VBUS   | –2    | 22   | V    |
|                                       | PMID   | –0.3  | 22   | V    |
|                                       | STAT, $\overline{PG}$  | –0.3  | 20   | V    |
|                                       | BTST   | –0.3  | 26   | V    |
|                                       | SW   | –2    | 20   | V    |
|                                       | BAT, SYS (converter not switching)                                       | –0.3  | 6    | V    |
|                                       | SDA, SCL, INT, OTG, ILIM, REGN, TS1, TS2, $\overline{CE}$ , PSEL, D+, D– | –0.3  | 7    | V    |
|                                       | BTST TO SW   | –0.3  | –7   | V    |
|                                       | PGND to GND  | –0.3  | –0.3 | V    |
| Output sink current                   | INT, STAT, $\overline{PG}$   |       | 6    | mA   |
| Junction temperature                  |  | –40°C | 150  | °C   |
| Storage temperature, T <sub>stg</sub> |  | –65   | 150  | °C   |

- (1) Stresses beyond those listed under absolute maximum ratings may cause permanent damage to the device. These are stress ratings only, and functional operation of the device at these or any other conditions beyond those indicated under recommended operating conditions is not implied. Exposure to absolute-maximum-rated conditions for extended periods may affect device reliability. All voltage values are with respect to the network ground terminal unless otherwise noted.

## 8.2 ESD Ratings

|                    |                         |  | VALUE | UNIT |
|--------------------|-------------------------|--|-------|------|
| V <sub>(ESD)</sub> | Electrostatic discharge | Human body model (HBM), per ANSI/ESDA/JEDEC JS-001 <sup>(1)</sup>              | 1000  | V    |
|                    |                         | Charged device model (CDM), per JEDEC specification JESD22-C101 <sup>(2)</sup> | 250   |      |

(1) JEDEC document JEP155 states that 500-V HBM allows safe manufacturing with a standard ESD control process.

(2) JEDEC document JEP157 states that 250-V CDM allows safe manufacturing with a standard ESD control process.

## 8.3 Recommended Operating Conditions

|                  |  | MIN | MAX  | UNIT |
|------------------|--|-----|--|------|
| V <sub>IN</sub>  | Input voltage                            | 3.9 | 17 <sup>(1)</sup>                                    | V    |
| I <sub>IN</sub>  | Input current                            |     | 3  | A    |
| I <sub>SYS</sub> | Output current (SYS)                     |     | 4.5  | A    |
| V <sub>BAT</sub> | Battery voltage                          |     | 4.4  | V    |
| I <sub>BAT</sub> | Fast charging current                    |     | 4.5  | A    |
|                  | Discharging current with internal MOSFET |     | 6 (continuous)<br>9 (peak)<br>(up to 1 sec duration) | A    |
| T <sub>A</sub>   | Operating free-air temperature range     | –40 | 85   | °C   |

(1) The inherent switching noise voltage spikes should not exceed the absolute maximum rating on either the BTST or SW pins. A tight layout minimizes switching noise.

## 8.4 Thermal Information

| THERMAL METRIC <sup>(1)</sup> |  | bq2419x      | UNIT |
|-------------------------------|--|--------------|------|
|                               |  | RGE (24 PIN) |      |
| R <sub>θJA</sub>              | Junction-to-ambient thermal resistance       | 32.2         | °C/W |
| R <sub>θJctop</sub>           | Junction-to-case (top) thermal resistance    | 29.8         |      |
| R <sub>θJB</sub>              | Junction-to-board thermal resistance         | 9.1          |      |
| Ψ <sub>JT</sub>               | Junction-to-top characterization parameter   | 0.3          |      |
| Ψ <sub>JB</sub>               | Junction-to-board characterization parameter | 9.1          |      |
| R <sub>θJcbot</sub>           | Junction-to-case (bottom) thermal resistance | 2.2          |      |

(1) For more information about traditional and new thermal metrics, see the *IC Package Thermal Metrics* application report, [SPRA953](#).

## 8.5 Electrical Characteristics

$V_{VBUS\_UVLOZ} < V_{VBUS} < V_{ACOV}$  and  $V_{VBUS} > V_{BAT} + V_{SLEEP}$ ,  $T_J = -40^{\circ}\text{C}$  to  $125^{\circ}\text{C}$  and  $T_J = 25^{\circ}\text{C}$  for typical values unless other noted.

| PARAMETER                 |  | TEST CONDITIONS  | MIN | TYP | MAX | UNIT |
|---------------------------|--|--|-----|-----|-----|------|
| <b>QUIESCENT CURRENTS</b> |  |  |     |     |     |      |
| I <sub>BAT</sub>          | Battery discharge current (BAT, SW, SYS) | V <sub>VBUS</sub> < V <sub>UVLO</sub> , V <sub>BAT</sub> = 4.2 V, leakage between BAT and VBUS   |     |     | 5   | μA   |
|                           |  | High-Z Mode, or no VBUS, BATFET disabled (REG07[5] = 1), –40°C to 85°C   |     | 12  | 20  | μA   |
|                           |  | High-Z Mode, or no VBUS, REG07[5] = 0, –40°C to 85°C   |     | 32  | 55  | μA   |
| I <sub>VBUS</sub>         | Input supply current (VBUS)              | V <sub>VBUS</sub> = 5 V, High-Z mode   |     | 15  | 30  | μA   |
|                           |  | V <sub>VBUS</sub> = 17 V, High-Z mode  |     | 30  | 50  | μA   |
|                           |  | V <sub>VBUS</sub> > V <sub>UVLO</sub> , V <sub>VBUS</sub> > V <sub>BAT</sub> , converter not switching   |     | 1.5 | 3   | mA   |
|                           |  | V <sub>VBUS</sub> > V <sub>UVLO</sub> , V <sub>VBUS</sub> > V <sub>BAT</sub> , converter switching, V <sub>BAT</sub> = 3.2 V, I <sub>SYS</sub> = 0 A |     | 4   |     | mA   |
|                           |  | V <sub>VBUS</sub> > V <sub>UVLO</sub> , V <sub>VBUS</sub> > V <sub>BAT</sub> , converter switching, V <sub>BAT</sub> = 3.8 V, I <sub>SYS</sub> = 0 A |     | 15  |     | mA   |
| I <sub>OTGBOOST</sub>     | Battery discharge current in boost mode  | V <sub>BAT</sub> = 4.2 V, Boost mode, I <sub>VBUS</sub> = 0 A, converter switching   |     | 4   |     | mA   |

## Electrical Characteristics (接下页)

$V_{VBUS\_UVLOZ} < V_{VBUS} < V_{ACOV}$  and  $V_{VBUS} > V_{BAT} + V_{SLEEP}$ ,  $T_J = -40^{\circ}\text{C}$  to  $125^{\circ}\text{C}$  and  $T_J = 25^{\circ}\text{C}$  for typical values unless other noted.

| PARAMETER                    |  | TEST CONDITIONS  | MIN   | TYP  | MAX  | UNIT |
|------------------------------|--|--|-------|------|------|------|
| <b>VBUS/BAT POWER UP</b>     |  |  |       |      |      |      |
| $V_{VBUS\_OP}$               | VBUS operating range   |  | 3.9   |      | 17   | V    |
| $V_{VBUS\_UVLOZ}$            | VBUS for active I <sup>2</sup> C, no battery                       | $V_{VBUS}$ rising  | 3.6   |      |      | V    |
| $V_{SLEEP}$                  | Sleep mode falling threshold                                       | $V_{VBUS}$ falling, $V_{VBUS-VBAT}$  | 35    | 80   | 120  | mV   |
| $V_{SLEEPZ}$                 | Sleep mode rising threshold  | $V_{VBUS}$ rising, $V_{VBUS-VBAT}$   | 170   | 250  | 350  | mV   |
| $V_{ACOV}$                   | VBUS over-voltage rising threshold                                 | $V_{VBUS}$ rising  | 17.4  | 18   |      | V    |
| $V_{ACOV\_HYST}$             | VBUS over-voltage falling hysteresis                               | $V_{VBUS}$ falling   |       | 700  |      | mV   |
| $V_{BAT\_UVLOZ}$             | Battery for active I <sup>2</sup> C, no VBUS                       | $V_{BAT}$ rising   | 2.3   |      |      | V    |
| $V_{BAT\_DPL}$               | Battery depletion threshold  | $V_{BAT}$ falling  |       | 2.4  | 2.6  | V    |
| $V_{BAT\_DPL\_HY}$           | Battery depletion rising hysteresis                                | $V_{BAT}$ rising   |       | 170  | 260  | mV   |
| $V_{VBUSMIN}$                | Bad adapter detection threshold                                    | $V_{VBUS}$ falling   |       | 3.8  |      | V    |
| $I_{BADSRC}$                 | Bad adapter detection current source                               |  |       | 30   |      | mA   |
| $t_{BADSRC}$                 | Bad source detection duration                                      |  |       | 30   |      | ms   |
| <b>POWER PATH MANAGEMENT</b> |  |  |       |      |      |      |
| $V_{SYS\_RANGE}$             | Typical system regulation voltage                                  | $I_{SYS} = 0$ A, Q4 off, $V_{BAT}$ up to 4.2 V, REG01[3:1] = 101, $V_{SYSMIN} = 3.5$ V       | 3.5   |      | 4.35 | V    |
| $V_{SYS\_MIN}$               | System voltage output  | REG01[3:1] = 101, $V_{SYSMIN} = 3.5$ V   | 3.55  | 3.65 |      | V    |
| $R_{ON(RBFET)}$              | Internal top reverse blocking MOSFET on-resistance                 | Measured between VBUS and PMID   |       | 23   | 38   | mΩ   |
| $R_{ON(HSFET)}$              | Internal top switching MOSFET on-resistance between PMID and SW    | $T_J = -40^{\circ}\text{C}$ to $85^{\circ}\text{C}$  |       | 27   | 35   | mΩ   |
|                              |  | $T_J = -40^{\circ}\text{C}$ to $125^{\circ}\text{C}$   |       | 27   | 45   |      |
| $R_{ON(LSFET)}$              | Internal bottom switching MOSFET on-resistance between SW and PGND | $T_J = -40^{\circ}\text{C}$ to $85^{\circ}\text{C}$  |       | 32   | 45   | mΩ   |
|                              |  | $T_J = -40^{\circ}\text{C}$ to $125^{\circ}\text{C}$   |       | 32   | 48   |      |
| $V_{FWD}$                    | BATFET forward voltage in supplement mode                          | BAT discharge current 10 mA  |       | 30   |      | mV   |
| $V_{SYS\_BAT}$               | SYS/BAT Comparator   | $V_{SYS}$ falling  |       | 90   |      | mV   |
| $V_{BATGD}$                  | Battery good comparator rising threshold                           | $V_{BAT}$ rising   |       | 3.55 |      | V    |
| $V_{BATGD\_HYST}$            | Battery good comparator falling threshold                          | $V_{BAT}$ falling  |       | 100  |      | mV   |
| <b>BATTERY CHARGER</b>       |  |  |       |      |      |      |
| $V_{BAT\_REG\_ACC}$          | Charge voltage regulation accuracy                                 | $V_{BAT} = 4.112$ V and 4.208 V  | -0.5% |      | 0.5% |      |
| $I_{CHG\_REG\_ACC}$          | Fast charge current regulation accuracy                            | $V_{BAT} = 3.8$ V, $I_{CHG} = 1792$ mA, $T_J = 25^{\circ}\text{C}$                           | -4%   |      | 4%   |      |
|                              |  | $V_{BAT} = 3.8$ V, $I_{CHG} = 1792$ mA, $T_J = -20^{\circ}\text{C}$ to $125^{\circ}\text{C}$ | -7%   |      | 7%   |      |
| $I_{CHG\_20pct}$             | Charge current with 20% option on                                  | $V_{BAT} = 3.1$ V, $I_{CHG} = 104$ mA, REG02 = 03  | 75    | 100  | 150  | mA   |
| $V_{BATLOWV}$                | Battery LOWV falling threshold                                     | Fast charge to precharge, REG04[1] = 1   | 2.6   | 2.8  | 2.9  | V    |
| $V_{BATLOWV\_HYST}$          | Battery LOWV rising threshold                                      | Precharge to fast charge, REG04[1] = 1   | 2.8   | 3.0  | 3.1  | V    |
| $I_{PRECHG\_ACC}$            | Precharge current regulation accuracy                              | $V_{BAT} = 2.6$ V, $I_{CHG} = 256$ mA  | -20%  |      | 20%  |      |
| $I_{TERM\_ACC}$              | Termination current accuracy                                       | $I_{TERM} = 256$ mA, $I_{CHG} = 960$ mA  | -20%  |      | 20%  |      |
| $V_{SHORT}$                  | Battery Short Voltage  | VBAT falling   |       | 2.0  |      | V    |
| $V_{SHORT\_HYST}$            | Battery Short Voltage hysteresis                                   | VBAT rising  |       | 200  |      | mV   |
| $I_{SHORT}$                  | Battery short current  | VBAT < 2.2V  |       | 100  |      | mA   |
| $V_{RECHG}$                  | Recharge threshold below VBAT_REG                                  | VBAT falling, REG04[0] = 0   |       | 100  |      | mV   |
| $t_{RECHG}$                  | Recharge deglitch time   | VBAT falling, REG04[0] = 0   |       | 20   |      | ms   |
| $R_{ON\_BATFET}$             | SYS-BAT MOSFET on-resistance                                       | $T_J = 25^{\circ}\text{C}$   |       | 12   | 15   | mΩ   |
|                              |  | $T_J = -40^{\circ}\text{C}$ to $125^{\circ}\text{C}$   |       | 12   | 20   |      |

**Electrical Characteristics (接下页)**

$V_{VBUS\_UVLOZ} < V_{VBUS} < V_{ACOV}$  and  $V_{VBUS} > V_{BAT} + V_{SLEEP}$ ,  $T_J = -40^{\circ}\text{C}$  to  $125^{\circ}\text{C}$  and  $T_J = 25^{\circ}\text{C}$  for typical values unless other noted.

| PARAMETER  |   | TEST CONDITIONS  | MIN   | TYP   | MAX   | UNIT               |
|--|---|--|-------|-------|-------|--------------------|
| <b>INPUT VOLTAGE/CURRENT REGULATION</b>                          |   |  |       |       |       |                    |
| $V_{INDP\_REG\_ACC}$   | Input voltage regulation accuracy   | REG00[6:3] = 0110 (4.36 V) or 1011 (4.76 V)                        | -2%   |       | 2%    |                    |
| $I_{USB\_DPM}$   | USB Input current regulation limit, $V_{BUS} = 5\text{ V}$ , current pulled from SW | USB100   |       | 85    | 100   | mA                 |
|  |   | USB150   |       | 125   | 150   | mA                 |
|  |   | USB500   |       | 440   | 500   | mA                 |
|  |   | USB900   |       | 750   | 900   | mA                 |
| $I_{ADPT\_DPM}$  | Input current regulation accuracy   | Typical input current of 1.5 A based on KLIM                       | 1.35  | 1.5   | 1.65  | A                  |
| $I_{IN\_START}$  | Input current limit during system start up  | $VSYS < 2.2\text{ V}$  |       | 100   |       | mA                 |
| $K_{ILIM}$   | $I_{IN} = K_{ILIM}/R_{ILIM}$  | $I_{INDP} = 1.5\text{ A}$  | 435   | 485   | 530   | A x $\Omega$       |
| <b>D+/D- DETECTION</b>   |   |  |       |       |       |                    |
| $V_{D+\_SRC}$  | D+ voltage source   |  | 0.5   | 0.6   | 0.7   | V                  |
| $I_{D+\_SRC}$  | D+ connection check current source  |  |       | 7     | 14    | $\mu\text{A}$      |
| $I_{D-\_SINK}$   | D- current sink   |  | 50    | 100   | 150   | $\mu\text{A}$      |
| $I_{D\_LKG}$   | Leakage current into D+/D-  | D-, switch open  |       | -1    | 1     | $\mu\text{A}$      |
|  |   | D+, switch open  |       | -1    | 1     | $\mu\text{A}$      |
| $V_{D+\_LOW}$  | D+ Low comparator threshold   |  | 0.7   |       | 0.8   | V                  |
| $V_{D-\_LOWdatref}$  | D- Low comparator threshold   |  | 250   |       | 400   | mV                 |
| $R_{D-\_DWN}$  | D- Pulldown for connection check  |  | 14.25 |       | 24.8  | $\text{k}\Omega$   |
| $t_{SDP\_DEFAULT}$   | Charging timer with 100-mA USB host in default mode                                 |  |       |       | 45    | mins               |
| <b>BAT OVER-VOLTAGE PROTECTION</b>                               |   |  |       |       |       |                    |
| $V_{BATOVP}$   | Battery over-voltage threshold  | $V_{BAT}$ rising, as percentage of $V_{BAT\_REG}$                  |       | 104%  |       |                    |
| $V_{BATOVP\_HYST}$   | Battery over-voltage hysteresis   | $V_{BAT}$ falling, as percentage of $V_{BAT\_REG}$                 |       | 2%    |       |                    |
| $t_{BATOVP}$   | Battery over-voltage deglitch time to disable charge                                |  |       | 1     |       | $\mu\text{s}$      |
| <b>THERMAL REGULATION AND THERMAL SHUTDOWN</b>                   |   |  |       |       |       |                    |
| $T_{Junction\_REG}$  | Junction temperature regulation accuracy  | REG06[1:0] = 11  |       | 120   |       | $^{\circ}\text{C}$ |
| $T_{SHUT}$   | Thermal shutdown rising temperature   | Temperature increasing   |       | 160   |       | $^{\circ}\text{C}$ |
| $T_{SHUT\_HYS}$  | Thermal shutdown hysteresis   |  |       | 30    |       | $^{\circ}\text{C}$ |
|  | Thermal shutdown rising deglitch  | Temperature increasing delay                                       |       | 1     |       | ms                 |
|  | Thermal shutdown falling deglitch   | Temperature decreasing delay                                       |       | 1     |       | ms                 |
| <b>COLD/HOT THERMISTOR COMPARATOR (bq24190,bq24192,bq24192I)</b> |   |  |       |       |       |                    |
| $V_{LTF}$  | Cold temperature threshold, TS pin voltage rising threshold                         | Charger suspends charge. As percentage to $V_{REGN}$               | 73%   | 73.5% | 74%   |                    |
| $V_{LTF\_HYS}$   | Cold temperature hysteresis, TS pin voltage falling                                 | As percentage to $V_{REGN}$  | 0.2%  | 0.4%  | 0.6%  |                    |
| $V_{HTF}$  | Hot temperature TS pin voltage rising threshold                                     | As percentage to $V_{REGN}$  | 46.6% | 47.2% | 48.8% |                    |
| $V_{TCO}$  | Cut-off temperature TS pin voltage falling threshold                                | As percentage to $V_{REGN}$  | 44.2% | 44.7% | 45.2% |                    |
|  | Deglitch time for temperature out of range detection                                | $V_{TS} > V_{LTF}$ , or $V_{TS} < V_{TCO}$ , or $V_{TS} < V_{HTF}$ |       | 10    |       | ms                 |
| <b>CHARGE OVER-CURRENT COMPARATOR</b>                            |   |  |       |       |       |                    |
| $I_{HSFET\_OCP}$   | HSFET over-current threshold  |  | 5.3   | 7     |       | A                  |
| $I_{BATFET\_OCP}$  | System over load threshold  |  | 9     |       |       | A                  |
| <b>CHARGE UNDER-CURRENT COMPARATOR (CYCLE-BY-CYCLE)</b>          |   |  |       |       |       |                    |
| $V_{LSFET\_UCP}$   | LSFET charge under-current falling threshold  | From sync mode to non-sync mode                                    |       | 100   |       | mA                 |
| <b>PWM OPERATION</b>   |   |  |       |       |       |                    |
| $F_{SW}$   | PWM Switching frequency, and digital clock  |  | 1300  | 1500  | 1700  | kHz                |
| $D_{MAX}$  | Maximum PWM duty cycle  |  |       | 97%   |       |                    |



## Electrical Characteristics (接下页)

$V_{VBUS\_UVLOZ} < V_{VBUS} < V_{ACOV}$  and  $V_{VBUS} > V_{BAT} + V_{SLEEP}$ ,  $T_J = -40^{\circ}\text{C}$  to  $125^{\circ}\text{C}$  and  $T_J = 25^{\circ}\text{C}$  for typical values unless other noted.

| PARAMETER  |  | TEST CONDITIONS   | MIN  | TYP  | MAX  | UNIT          |
|--|--|---|------|------|------|---------------|
| $V_{BTST\_REFRESH}$  | Bootstrap refresh comparator threshold | VBTST-VSW when LSFET refresh pulse is requested, $V_{BUS} = 5\text{ V}$ | 3.6  |      |      | V             |
|  |  | VBTST-VSW when LSFET refresh pulse is requested, $V_{BUS} > 6\text{ V}$ | 4.5  |      |      |               |
| <b>BOOST MODE OPERATION</b>  |  |   |      |      |      |               |
| $V_{OTG\_REG}$   | OTG output voltage                     | $I(V_{BUS}) = 0$  | 5.00 |      |      | V             |
| $V_{OTG\_REG\_ACC}$  | OTG output voltage accuracy            | $I(V_{BUS}) = 0$  | -2%  | 2%   |      |               |
| $I_{OTG}$  | OTG mode output current                | REG01[0] = 0  | 0.5  |      |      | A             |
|  |  | REG01[0] = 1  | 1.3  |      |      | A             |
| $V_{OTG\_OVP}$   | OTG over-voltage threshold             |   | 5.3  | 5.5  |      | V             |
| $I_{OTG\_ILIM}$  | LSFET cycle-by-cycle current limit     |   | 3.2  | 4.6  |      | A             |
| $I_{OTG\_HSZCP}$   | HSFET under current falling threshold  |   | 100  |      |      | mA            |
| $I_{RBFET\_OCP}$   | RBFET over-current threshold           | REG01[0] = 1  | 1.4  | 1.8  | 2.7  | A             |
|  |  | REG01[0] = 0  | 0.6  | 1.1  | 1.8  |               |
| <b>REGN LDO</b>  |  |   |      |      |      |               |
| $V_{REGN}$   | REGN LDO output voltage                | $V_{VBUS} = 10\text{ V}$ , $I_{REGN} = 40\text{ mA}$                    | 5.6  | 6    | 6.4  | V             |
|  |  | $V_{VBUS} = 5\text{ V}$ , $I_{REGN} = 20\text{ mA}$                     | 4.75 | 4.8  |      | V             |
| $I_{REGN}$   | REGN LDO current limit                 | $V_{VBUS} = 10\text{ V}$ , $V_{REGN} = 3.8\text{ V}$                    | 50   |      |      | mA            |
| <b>LOGIC I/O PIN CHARACTERISTICS (OTG, <math>\overline{CE}</math>, PSEL, STAT, <math>\overline{PG}</math>)</b> |  |   |      |      |      |               |
| $V_{ILO}$  | Input low threshold                    |   | 0.4  |      |      | V             |
| $V_{IH}$   | Input high threshold                   |   | 1.3  |      |      | V             |
| $V_{OUT\_LO}$  | Output low saturation voltage          | Sink current = 5 mA   | 0.4  |      |      | V             |
| $I_{BIAS}$   | High level leakage current             | Pull up rail 1.8 V  | 1    |      |      | $\mu\text{A}$ |
| <b>I<sup>2</sup>C INTERFACE (SDA, SCL, INT)</b>  |  |   |      |      |      |               |
| $V_{IH}$   | Input high threshold level             | VPULL-UP = 1.8 V, SDA and SCL   | 1.3  |      |      | V             |
| $V_{IL}$   | Input low threshold level              | VPULL-UP = 1.8 V, SDA and SCL   | 0.4  |      |      | V             |
| $V_{OL}$   | Output low threshold level             | Sink current = 5 mA   | 0.4  |      |      | V             |
| $I_{BIAS}$   | High-level leakage current             | VPULL-UP = 1.8 V, SDA and SCL   | 1    |      |      | $\mu\text{A}$ |
| $f_{SCL}$  | SCL clock frequency                    |   | 400  |      |      | kHz           |
| <b>DIGITAL CLOCK AND WATCHDOG TIMER</b>  |  |   |      |      |      |               |
| $f_{HIZ}$  | Digital crude clock                    | REGN LDO disabled   | 15   | 35   | 50   | kHz           |
| $f_{DIG}$  | Digital clock                          | REGN LDO enabled  | 1300 | 1500 | 1700 | kHz           |
| $t_{WDT}$  | REG05[5:4] = 11                        | REGN LDO enabled  | 136  | 160  |      | sec           |

## 8.6 Typical Characteristics

表 1. Table of Figures

|   | FIGURE NO. |
|---|------------|
| System Light Load Efficiency vs System Load Current     | 图 1        |
| SYS Voltage Regulation vs System Load                   | 图 2        |
| Charging Efficiency vs Charging Current                 | 图 3        |
| Boost Mode Efficiency vs VBUS Load Current              | 图 4        |
| Boost Mode VBUS Voltage Regulation vs VBUS Load Current | 图 5        |
| SYS Voltage vs Temperature                              | 图 6        |
| BAT Voltage vs Temperature                              | 图 7        |
| Input Current Limit vs Temperature                      | 图 8        |
| Charge Current vs Temperature                           | 图 9        |

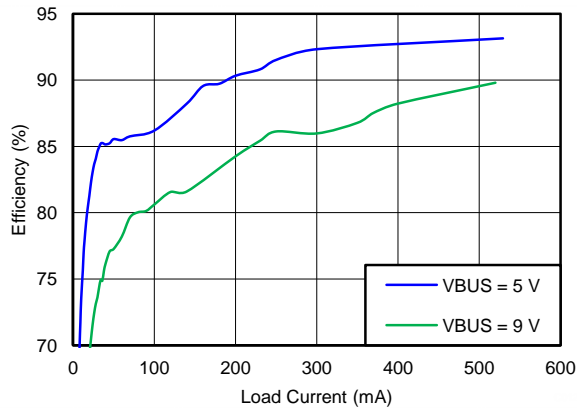


图 1. System Light Load Efficiency vs System Load Current

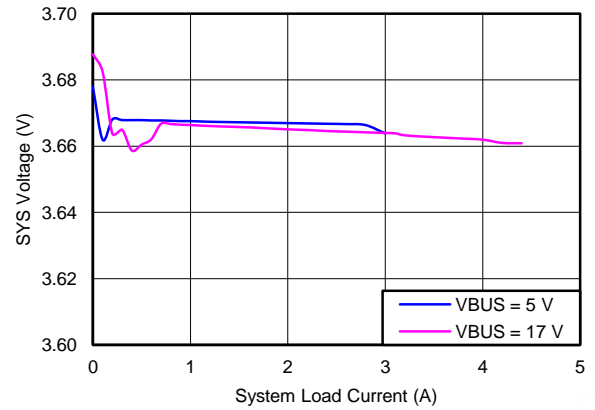


图 2. SYS Voltage Regulation vs System Load

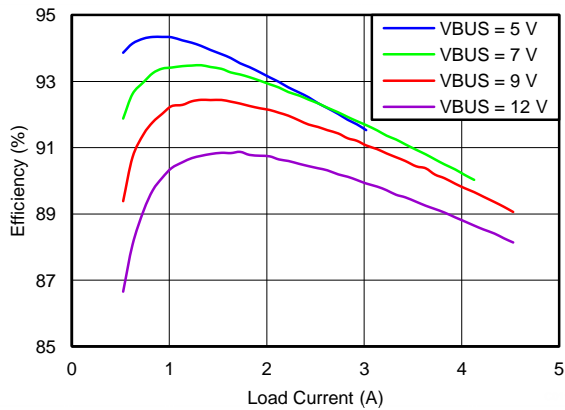


图 3. Charging Efficiency vs Charging Current

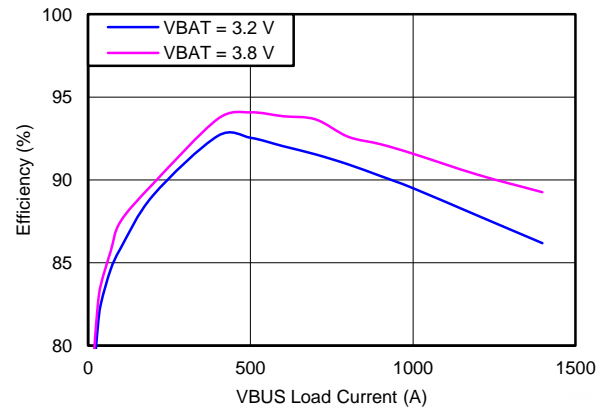


图 4. Boost Mode Efficiency vs VBUS Load Current

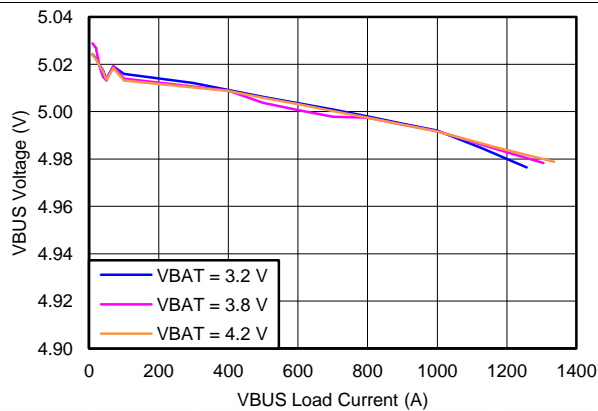


图 5. Boost Mode VBUS Voltage Regulation vs VBUS Load Current

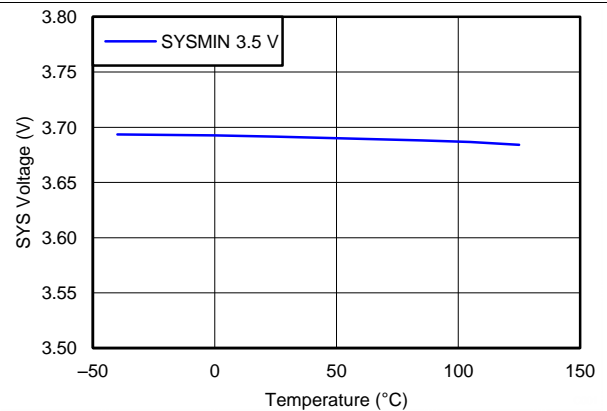


图 6. SYS Voltage vs Temperature

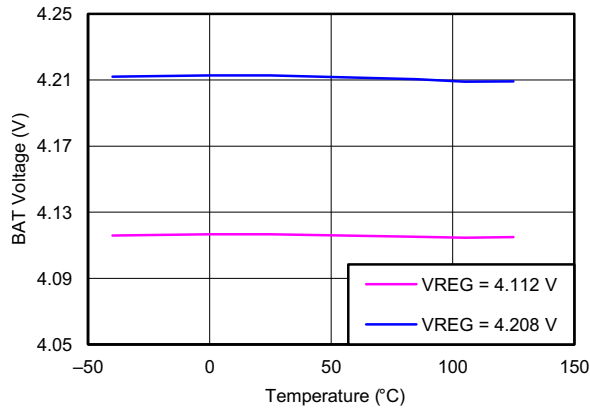


图 7. BAT Voltage vs Temperature

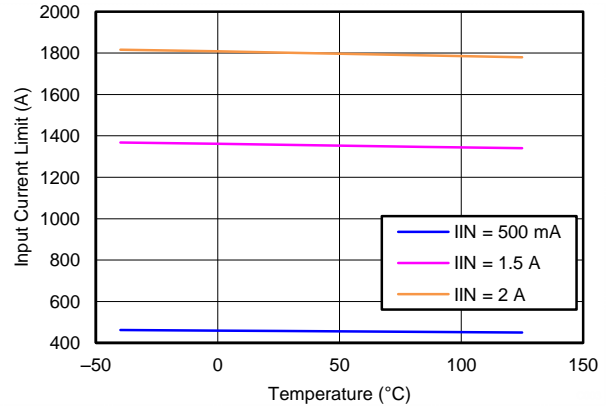


图 8. Input Current Limit vs Temperature

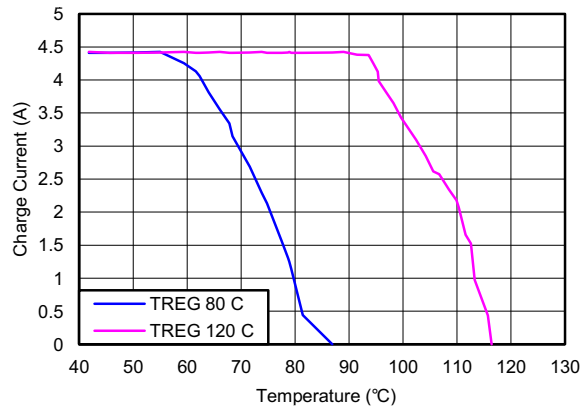


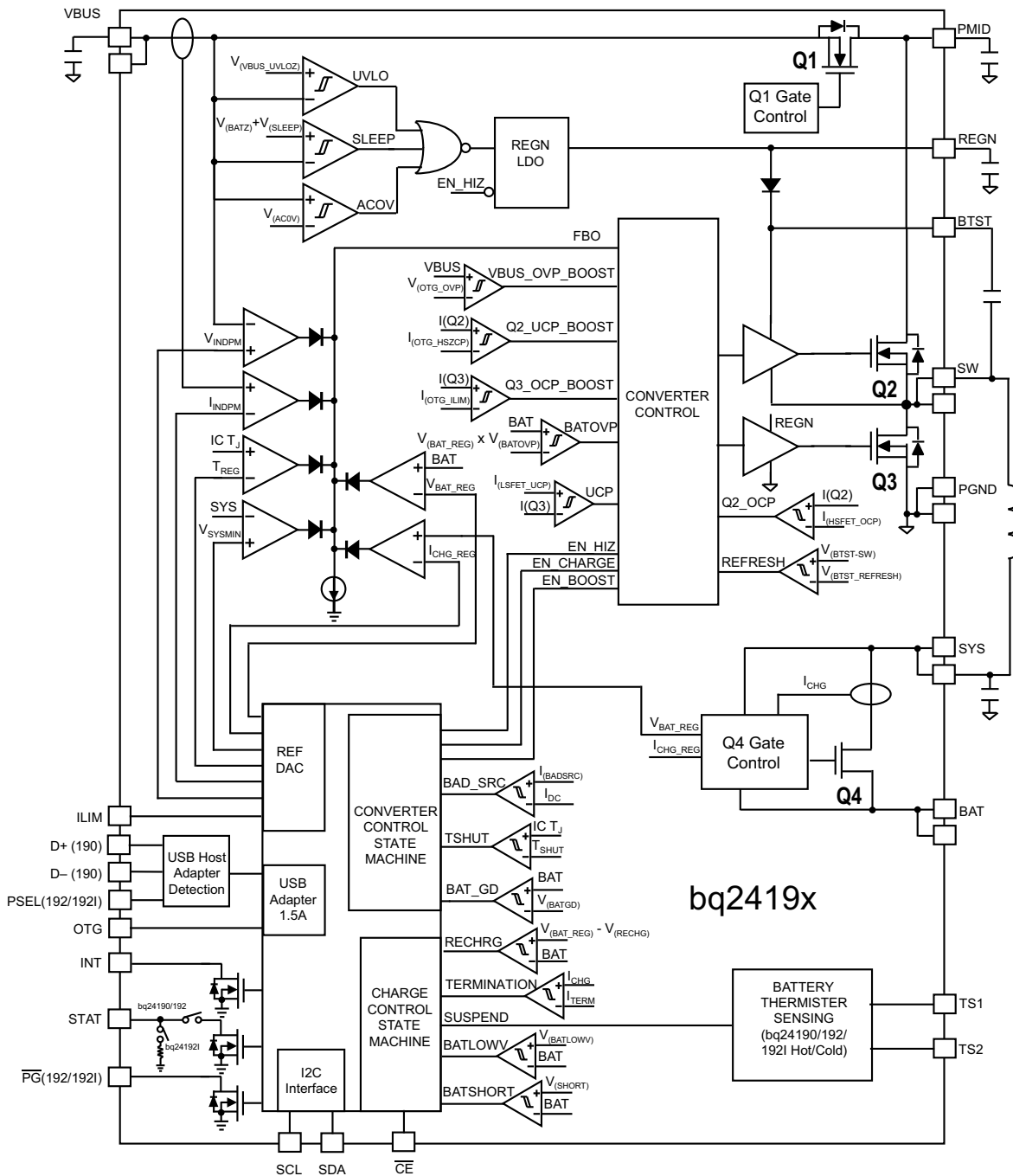
图 9. Charge Current vs Temperature

## 9 Detailed Description

### 9.1 Overview

The bq24190, bq24192, bq24192I is an I<sup>2</sup>C controlled power path management device and a single cell Li-Ion battery charger. It integrates the input reverse-blocking FET (RBFET, Q1), high-side switching FET (HSFET, Q2), low-side switching FET (LSFET, Q3), and BATFET (Q4) between system and battery. The device also integrates the bootstrap diode for the high-side gate drive.

### 9.2 Functional Block Diagram



## 9.3 Feature Description

### 9.3.1 Device Power Up

#### 9.3.1.1 Power-On-Reset (POR)

The internal bias circuits are powered from the higher voltage of VBUS and BAT. When VBUS or VBAT rises above UVLOZ, the sleep comparator, battery depletion comparator and BATFET driver are active. I<sup>2</sup>C interface is ready for communication and all the registers are reset to default value. The host can access all the registers after POR.

#### 9.3.1.2 Power Up from Battery without DC Source

If only battery is present and the voltage is above depletion threshold ( $V_{BAT\_DEPL}$ ), the BATFET turns on and connects battery to system. The REGN LDO stays off to minimize the quiescent current. The low  $R_{DSON}$  in BATFET and the low quiescent current on BAT minimize the conduction loss and maximize the battery run time. The device always monitors the discharge current through BATFET. When the system is overloaded or shorted, the device will immediately turn off BATFET and keep BATFET off until the input source plugs in again.

##### 9.3.1.2.1 BATFET Turn Off

The BATFET can be forced off by the host through I<sup>2</sup>C REG07[5]. This bit allows the user to independently turn off the BATFET when the battery condition becomes abnormal during charging. When BATFET is off, there is no path to charge or discharge the battery.

When battery is not attached, the BATFET should be turned off by setting REG07[5] to 1 to disable charging and supplement mode.

##### 9.3.1.2.2 Shipping Mode

When end equipment is assembled, the system is connected to battery through BATFET. There will be a small leakage current to discharge the battery even when the system is powered off. In order to extend the battery life during shipping and storage, the device can turn off BATFET so that the system voltage is zero to minimize the leakage.

In order to keep BATFET off during shipping mode, the host has to disable the watchdog timer (REG05[5:4] = 00) and disable BATFET (REG07[5] = 1) at the same time.

Once the BATFET is disabled, the BATFET can be turned on by plugging in adapter.

#### 9.3.1.3 Power Up from DC Source

When the DC source plugs in, the bq24190, bq24192, bq24192I checks the input source voltage to turn on REGN LDO and all the bias circuits. It also checks the input current limit before starts the buck converter.

##### 9.3.1.3.1 REGN LDO

The REGN LDO supplies internal bias circuits as well as the HSFET and LSFET gate drive. The LDO also provides bias rail to TS1/TS2 external resistors. The pull-up rail of STAT and PG can be connected to REGN as well.

The REGN is enabled when all the conditions are valid.

1. VBUS above UVLOZ
2. VBUS above battery +  $V_{SLEEPZ}$  in buck mode or VBUS below battery +  $V_{SLEEPZ}$  in boost mode
3. After typical 220ms delay (100ms minimum) is complete

If one of the above conditions is not valid, the device is in high impedance mode (HIZ) with REGN LDO off. The device draws less than 50  $\mu$ A from VBUS during HIZ state. The battery powers up the system when the device is in HIZ.

##### 9.3.1.3.2 Input Source Qualification

After REGN LDO powers up, the bq24190, bq24192, bq24192I checks the current capability of the input source. The input source has to meet the following requirements to start the buck converter.

## Feature Description (接下页)

1. VBUS voltage below 18 V (not in ACOV)
2. VBUS voltage above 3.8 V when pulling 30 mA (poor source detection)

Once the input source passes all the conditions above, the status register REG08[2] goes high and the  $\overline{\text{PG}}$  pin (bq24192, bq24192I) goes low. An INT is asserted to the host.

If the device fails the poor source detection, it will repeat the detection every 2 seconds.

### 9.3.1.3.3 Input Current Limit Detection

The USB ports on personal computers are convenient charging source for portable devices (PDs). If the portable device is attached to a USB host, the USB specification requires the portable device to draw limited current (100 mA/500 mA in USB 2.0, and 150 mA/900 mA in USB 3.0). If the portable device is attached to a charging port, it is allowed to draw up to 1.5 A.

After the  $\overline{\text{PG}}$  is LOW or REG08[2] goes HIGH, the charger device always runs input current limit detection when a DC source plugs in unless the charger is in HIZ during host mode.

The bq24190 follows battery charging specification 1.2 (bc1.2) to detect input source through USB D+/D– lines. The bq24192 and bq24192I set input current limit through PSEL and OTG pins.

After the input current limit detection is done, the host can write to REG00[2:0] to change the input current limit.

### 9.3.1.3.4 D+/D– Detection Sets Input Current Limit in bq24190

The bq24190 contains a D+/D– based input source detection to program the input current limit. The D+/D– detection has two steps: data contact detect (DCD) followed by primary detection.

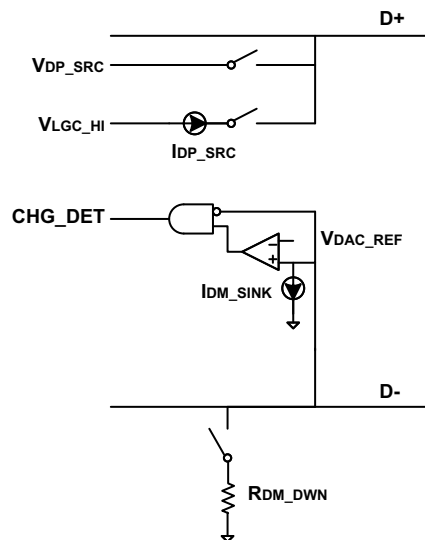


图 10. USB D+/D- Detection

DCD (Data Contact Detection) uses a current source to detect when the D+/D– pins have made contact during an attach event. The protocol for data contact detect is as follows:

- Detect VBUS present and REG08[2] = 1 (power good)
- Turn on D+ I<sub>DP\_SRC</sub> and the D– pull-down resistor R<sub>DM\_DWN</sub> for 40 ms
- If the USB connector is properly attached, the D+ line goes from HIGH to LOW, wait up to 0.5 sec.
- Turn off I<sub>DP\_SRC</sub> and disconnect R<sub>DM\_DWN</sub>

The primary detection is used to distinguish between USB host (Standard Down Stream Port, or SDP) and different type of charging ports (Charging Down Stream Port, or CDP, and Dedicated Charging Port, or DCP). The protocol for primary detection is as follows:

- Turn on V<sub>DP\_SRC</sub> on D+ and I<sub>DM\_SINK</sub> on D– for 40 ms

## Feature Description (接下页)

- If PD is attached to a USB host (SDP), the D– is low. If PD is attached to a charging port (CDP or DCP), the D– is high
- Turn off  $V_{DP\_SRC}$  and  $I_{DM\_SINK}$

表 2 shows the input current limit setting after D+/D– detection.

**表 2. bq24190 USB D+/D– Detection**

| D+/D– DETECTION                               | OTG  | INPUT CURRENT LIMIT | REG08[7:6] |
|---|------|---------------------|------------|
| 0.5 sec timer expired in DCD (D+/D– floating) | —    | 100 mA              | 00         |
| USB host                                      | LOW  | 100 mA              | 01         |
| USB host                                      | HIGH | 500 mA              | 01         |
| Charging port                                 | —    | 1.5 A               | 10         |

### 9.3.1.3.5 PSEL/OTG Pins Set Input Current Limit in bq24192, bq24192I

The bq24192 and bq24192I has PSEL instead of D+/D–. It directly takes the USB PHY device output to decide whether the input is USB host or charging port.

**表 3. bq24192, bq24192I Input Current Limit Detection**

| PSEL | OTG  | INPUT CURRENT LIMIT               | REG08[7:6] |
|------|------|-----------------------------------|------------|
| HIGH | LOW  | 100 mA                            | 01         |
| HIGH | HIGH | 500 mA                            | 01         |
| LOW  | —    | 1.5 A (bq24192I)<br>3 A (bq24192) | 10         |

### 9.3.1.3.6 HIZ State wth 100mA USB Host

In battery charging spec, the good battery threshold is the minimum charge level of a battery to power up the portable device successfully. When the input source is 100-mA USB host, and the battery is above bat-good threshold ( $V_{BATGD}$ ), the device follows battery charging spec and enters high impedance state (HIZ). In HIZ state, the device is in the lowest quiescent state with REGN LDO and the bias circuits off. The charger device sets REG00[7] to 1, and the VBUS current during HIZ state will be less than 30  $\mu$ A. The system is supplied by the battery.

Once the charger device enters HIZ state in host mode, it stays in HIZ until the host writes REG00[7] = 0. When the processor host wakes up, it is recommended to first check if the charger is in HIZ state.

In default mode, the charger IC will reset REG00[7] back to 0 when input source is removed. When another source plugs in, the charger IC will run detection again, and update the input current limit.

### 9.3.1.3.7 Force Input Current Limit Detection

The host can force the charger device to run input current limit detection by setting REG07[7] = 1. After the detection is complete, REG07[7] will return to 0 by itself.

### 9.3.1.4 Converter Power-Up

After the input current limit is set, the converter is enabled and the HSFET and LSFET start switching. If battery charging is disabled, BATFET turns off. Otherwise, BATFET stays on to charge the battery.

The bq24190, bq24192, bq24192I provides soft-start when ramp up the system rail. When the system rail is below 2.2 V, the input current limit is forced to 100 mA. After the system rises above 2.2 V, the charger device sets the input current limit set by the lower value between register and ILIM pin.

As a battery charger, the bq24190, bq24192, bq24192I deploys a 1.5-MHz step-down switching regulator. The fixed frequency oscillator keeps tight control of the switching frequency under all conditions of input voltage, battery voltage, charge current and temperature, simplifying output filter design.

A type III compensation network allows using ceramic capacitors at the output of the converter. An internal saw-tooth ramp is compared to the internal error control signal to vary the duty cycle of the converter. The ramp height is proportional to the PMID voltage to cancel out any loop gain variation due to a change in input voltage.

In order to improve light-load efficiency, the device switches to PFM control at light load when battery is below minimum system voltage setting or charging is disabled. During the PFM operation, the switching duty cycle is set by the ratio of SYS and VBUS.

### 9.3.1.5 Boost Mode Operation from Battery

The bq24190, bq24192, bq24192I supports boost converter operation to deliver power from the battery to other portable devices through USB port. The boost mode output current rating meets the USB On-The-Go 500-mA output requirement. The maximum output current is 1.3 A. The boost operation can be enabled if the following conditions are valid:

1. BAT above BATLOWV threshold ( $V_{\text{BATLOWV}}$  set by REG04[1])
2. VBUS less than  $\text{BAT} + V_{\text{SLEEP}}$  (in sleep mode)
3. Boost mode operation is enabled (OTG pin HIGH and REG01[5:4] = 10)
4. After 220-ms delay from boost mode enable

In boost mode, the bq24190, bq24192, bq24192I employs a 1.5-MHz step-up switching regulator. Similar to buck operation, the device switches from PWM operation to PFM operation at light load to improve efficiency.

During boost mode, the status register REG08[7:6] is set to 11, the VBUS output is 5 V and the output current can reach up to 500 mA or 1.3 A, selected via I<sup>2</sup>C (REG01[0]).

Any fault during boost operation, including VBUS over-voltage or over-current, sets the fault register REG09[6] to 1 and an INT is asserted.

## 9.3.2 Power Path Management

The bq24190, bq24192, bq24192I accommodates a wide range of input sources from USB, wall adapter, to car battery. The device provides automatic power path selection to supply the system (SYS) from input source (VBUS), battery (BAT), or both.

### 9.3.2.1 Narrow VDC Architecture

The device deploys Narrow VDC architecture (NVDC) with BATFET separating system from battery. The minimum system voltage is set by REG01[3:1]. Even with a fully depleted battery, the system is regulated above the minimum system voltage (default 3.5 V).

When the battery is below minimum system voltage setting, the BATFET operates in linear mode (LDO mode), and the system is 150 mV above the minimum system voltage setting. As the battery voltage rises above the minimum system voltage, BATFET is fully on and the voltage difference between the system and battery is the  $V_{\text{DS}}$  of BATFET.

When the battery charging is disabled or terminated, the system is always regulated at 150 mV above the minimum system voltage setting. The status register REG08[0] goes high when the system is in minimum system voltage regulation.



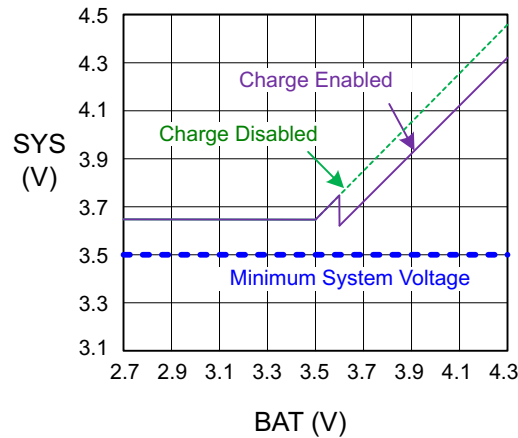


图 11. V(SYS) vs V(BAT)

9.3.2.2 Dynamic Power Management

To meet maximum current limit in USB spec and avoid over loading the adapter, the bq24190, bq24192, bq24192I features Dynamic Power Management (DPM), which continuously monitors the input current and input voltage.

When input source is over-loaded, either the current exceeds the input current limit (REG00[2:0]) or the voltage falls below the input voltage limit (REG00[6:3]). The device then reduces the charge current until the input current falls below the input current limit and the input voltage rises above the input voltage limit.

When the charge current is reduced to zero, but the input source is still overloaded, the system voltage starts to drop. Once the system voltage falls below the battery voltage, the device automatically enters the supplement mode where the BATFET turns on and battery starts discharging so that the system is supported from both the input source and battery.

During DPM mode (either VINDPM or IINDPM), the status register REG08[3] will go high.

图 12 shows the DPM response with 9-V/1.2-A adapter, 3.2-V battery, 2.8-A charge current and 3.4-V minimum system voltage setting.

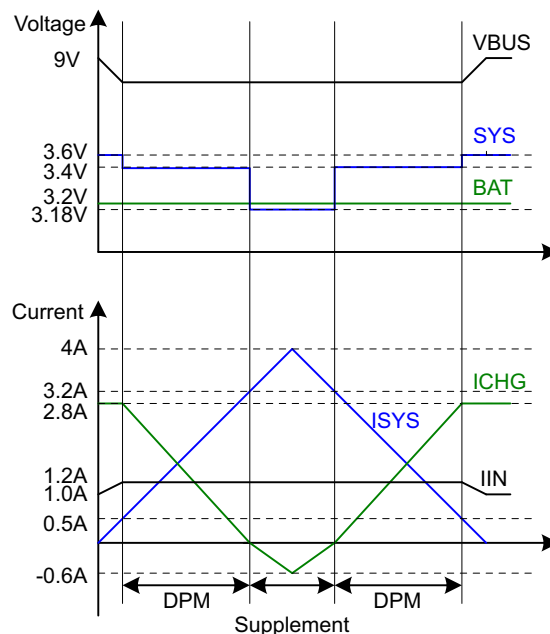


图 12. DPM Response

### 9.3.2.3 Supplement Mode

When the system voltage falls below the battery voltage, the BATFET turns on and the BATFET gate is regulated the gate drive of BATFET so that the minimum BATFET  $V_{DS}$  stays at 30 mV when the current is low. This prevents oscillation from entering and exiting the supplement mode. As the discharge current increases, the BATFET gate is regulated with a higher voltage to reduce  $R_{DS(ON)}$  until the BATFET is in full conduction. At this point onwards, the BATFET  $V_{DS}$  linearly increases with discharge current. 图 13 shows the V-I curve of the BATFET gate regulation operation. BATFET turns off to exit supplement mode when the battery is below battery depletion threshold.

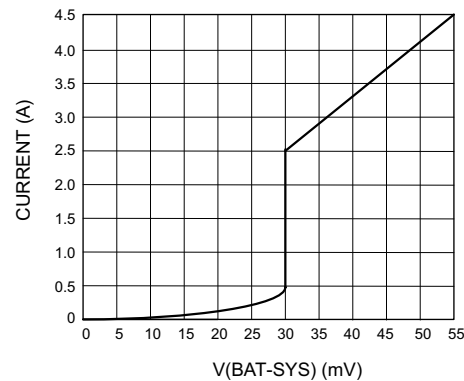


图 13. BATFET V-I Curve

### 9.3.3 Battery Charging Management

The bq24190, bq24192, bq24192I charges 1-cell Li-Ion battery with up to 4.5A charge current for high capacity tablet battery. The 12-m $\Omega$  BATFET improves charging efficiency and minimizes the voltage drop during discharging.

#### 9.3.3.1 Autonomous Charging Cycle

With battery charging enabled at POR ( $REG01[5:4] = 01$ ), the bq24190, bq24192, bq24192I can complete a charging cycle without host involvement. The device default charging parameters are listed in 表 4.

表 4. Charging Parameter Default Setting

| DEFAULT MODE        | bq24190, bq24192       | bq24192I               |
|---------------------|------------------------|------------------------|
| Charging voltage    | 4.208 V                | 4.112 V                |
| Charging Current    | 2.048 A                | 1.024 A                |
| Pre-charge current  | 256 mA                 | 256 mA                 |
| Termination current | 256 mA                 | 256 mA                 |
| Temperature profile | Hot/Cold               | Hot/Cold               |
| Safety timer        | 8 hours <sup>(1)</sup> | 8 hours <sup>(1)</sup> |

(1) See section [Charging Safety Timer](#) for more information.

A new charge cycle starts when the following conditions are valid:

- Converter starts
- Battery charging is enabled by I<sup>2</sup>C register bit ( $REG01[5:4] = 01$ ) and  $\overline{CE}$  is low
- No thermistor fault on TS1 and TS2
- No safety timer fault
- BATFET is not forced to turn off ( $REG07[5]$ )

The charger device automatically terminates the charging cycle when the charging current is below termination threshold and charge voltage is above recharge threshold. When a full battery voltage is discharged below recharge threshold ( $REG04[0]$ ), the bq24190, bq24192, bq24192I automatically starts another charging cycle.

The STAT output indicates the charging status of charging (LOW), charging complete or charge disable (HIGH) or charging fault (Blinking). The status register REG08[5:4] indicates the different charging phases: 00-charging disable, 01-precharge, 10-fast charge (constant current) and constant voltage mode, 11-charging done. Once a charging cycle is complete, an INT is asserted to notify the host.

The host can always control the charging operation and optimize the charging parameters by writing to the registers through I<sup>2</sup>C.

### 9.3.3.2 Battery Charging Profile

The device charges the battery in three phases: preconditioning, constant current and constant voltage. At the beginning of a charging cycle, the device checks the battery voltage and applies current.

表 5. Charging Current Setting

| VBAT      | CHARGING CURRENT | REG DEFAULT SETTING                      | REG08[5:4] |
|-----------|------------------|--|------------|
| < 2 V     | 100 mA           | –  | 01         |
| 2 V - 3 V | REG03[7:4]       | 256 mA                                   | 01         |
| > 3 V     | REG02[7:2]       | 2048 mA (bq24190/192) 1024 mA (bq24192I) | 10         |

If the charger device is in DPM regulation or thermal regulation during charging, the actual charging current will be less than the programmed value. In this case, termination is temporarily disabled and the charging safety timer is counted at half the clock rate.

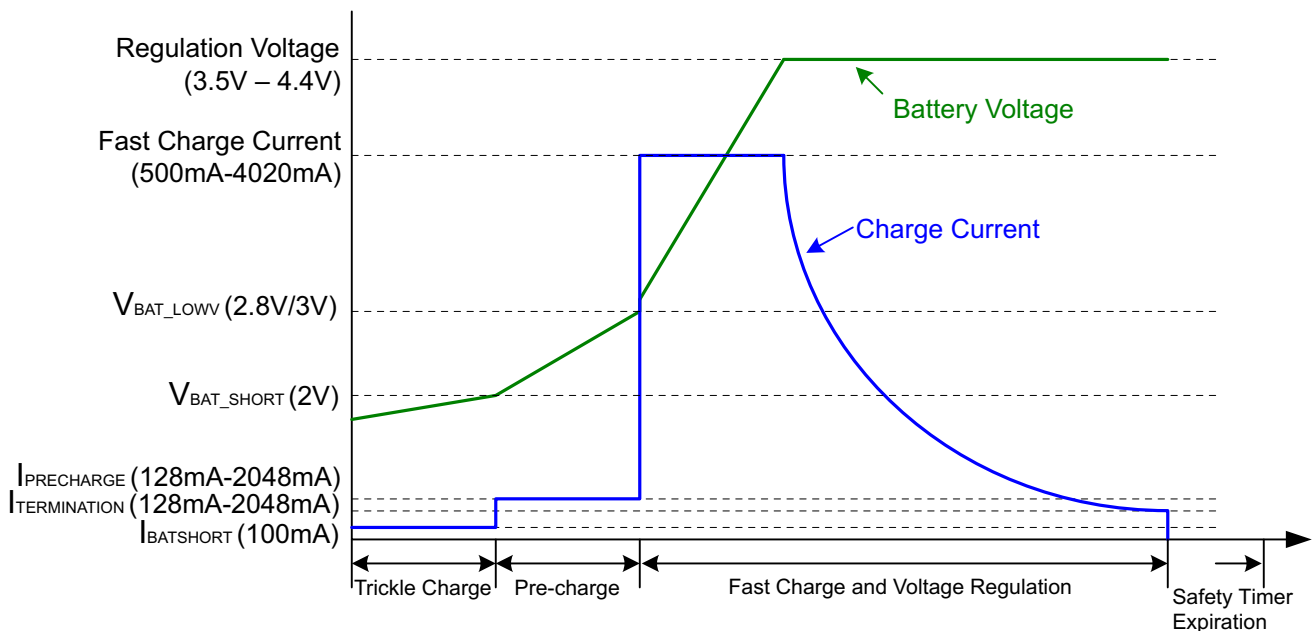


图 14. Battery Charging Profile

### 9.3.3.3 Battery Path Impedance IR Compensation

To speed up the charging cycle, we would like to stay in constant current mode as long as possible. In real system, the parasitic resistance, including routing, connector, MOSFETs and sense resistor in the battery pack, may force the charger device to move from constant current loop to constant voltage loop too early, extending the charge time.

The bq24190, bq24192, bq24192I allows the user to compensate for the parasitic resistance by increasing the voltage regulation set point according to the actual charge current and the resistance. For safe operation, the user should set the maximum allowed regulation voltage to REG06[4:2], and the minimum trace parasitic resistance (REG06[7:5]).

$$V_{\text{BATREG\_ACTUAL}} = V_{\text{BATREG\_I2C}} + \text{lower of } (I_{\text{CHRG\_ACTUAL}} \times R_{\text{COMP}}) \text{ and } V_{\text{CLAMP}} \quad (1)$$

### 9.3.3.4 Thermistor Qualification

The high capacity battery usually has two or more single cells in parallel. The bq24190, bq24192, bq24192I provides two TS pins to monitor the thermistor (NTC) in each cell independently.

#### 9.3.3.4.1 Cold/Hot Temperature Window

The bq24190, bq24192, bq24192I continuously monitors battery temperature by measuring the voltage between the TS pins and ground, typically determined by a negative temperature coefficient thermistor and an external voltage divider. The device compares this voltage against its internal thresholds to determine if charging is allowed. To initiate a charge cycle, the battery temperature must be within the  $V_{LTF}$  to  $V_{HTF}$  thresholds. During the charge cycle the battery temperature must be within the  $V_{LTF}$  to  $V_{TCO}$  thresholds, else the device suspends charging and waits until the battery temperature is within the  $V_{LTF}$  to  $V_{HTF}$  range.

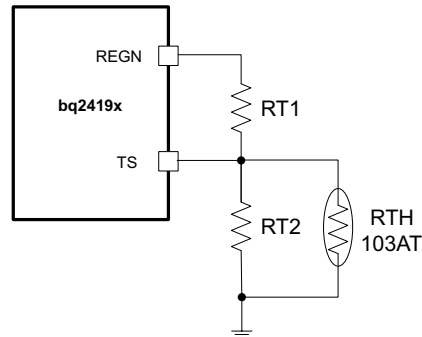


图 15. TS Resistor Network

When the TS fault occurs, the fault register REG09[2:0] indicates the actual condition on each TS pin and an INT is asserted to the host. The STAT pin indicates the fault when charging is suspended.

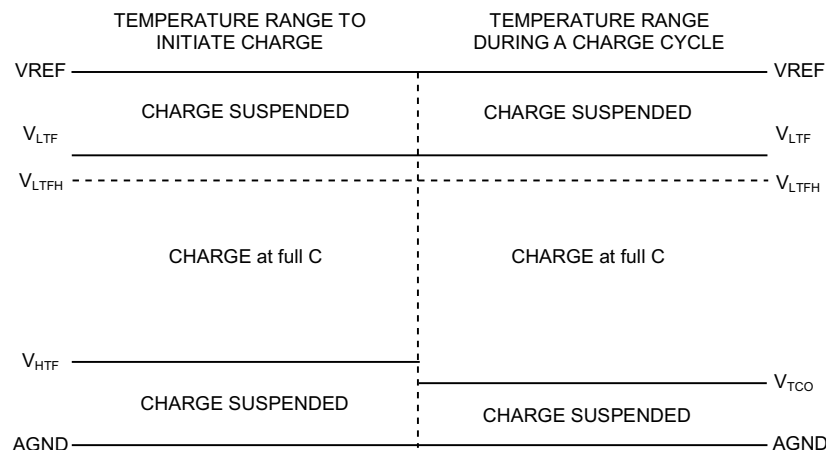


图 16. TS Pin Thermistor Sense Thresholds

Assuming a 103AT NTC thermistor is used on the battery pack, the value  $RT1$  and  $RT2$  can be determined by using the following equations:

$$RT2 = \frac{V_{VREF} \times RTH_{COLD} \times RTH_{HOT} \times \left( \frac{1}{V_{LTF}} - \frac{1}{V_{TCO}} \right)}{RTH_{HOT} \times \left( \frac{V_{VREF}}{V_{TCO}} - 1 \right) - RTH_{COLD} \times \left( \frac{V_{VREF}}{V_{LTF}} - 1 \right)}$$

$$RT1 = \frac{\frac{V_{VREF}}{V_{LTF}} - 1}{\frac{1}{RT2} + \frac{1}{RTH_{COLD}}}$$
(2)

Select 0°C to 45°C range for Li-ion or Li-polymer battery,

$RTH_{COLD} = 27.28 \text{ k}\Omega$

$RTH_{HOT} = 4.911 \text{ k}\Omega$

$RT1 = 5.52 \text{ k}\Omega$

$RT2 = 31.23 \text{ k}\Omega$

### 9.3.3.5 Charging Termination

The bq24190, bq24192, bq24192I terminates a charge cycle when the battery voltage is above recharge threshold, and the current is below termination current. After the charging cycle is complete, the BATFET turns off. The converter keeps running to power the system, and BATFET can turn back on to engage supplement mode.

When termination occurs, the status register REG08[5:4] is 11, and an INT is asserted to the host. Termination is temporarily disabled if the charger device is in input current/voltage regulation or thermal regulation. Termination can be disabled by writing 0 to REG05[7].

#### 9.3.3.5.1 Termination when REG02[0] = 1

When REG02[0] is HIGH to reduce the charging current by 80%, the charging current could be less than the termination current. The charger device termination function should be disabled. When the battery is charged to fully capacity, the host disables charging through  $\overline{CE}$  pin or REG01[5:4].

#### 9.3.3.5.2 Termination when REG05[6] = 1

Usually the STAT bit indicates charging complete when the charging current falls below termination threshold. Write REG05[6] = 1 to enable an early “charge done” indication on STAT pin. The STAT pin goes high when the charge current reduces below 800 mA. The charging cycle is still on-going until the current falls below the termination threshold.

### 9.3.3.6 Charging Safety Timer

The bq24190, bq24192, bq24192I has safety timer to prevent extended charging cycle due to abnormal battery conditions.

In default mode, the device keeps charging the battery with 5-hour fast charging safety timer regardless of REG05[2:1] default value. At the end of the 5 hours, the EN\_HIZ (REG00[7]) is set to signal the buck converter stops and the system load is supplied by the battery. The EN\_HIZ bit can be cleared to restart the buck converter.

In host mode, the device keeps charging the battery until the fast charging safety timer expired. The duration of safety timer can be set by the REG05[2:1] bits (default = 8 hours). At the end of safety timer, the EN\_HIZ (REG00[7]) is cleared to signal the buck converter continues to operation to supply system load.

The safety timer is 1 hour when the battery is below BATLOWV threshold. The user can program fast charge safety timer through I<sup>2</sup>C (REG05[2:1]). When safety timer expires, the fault register REG09[5:4] goes 11 and an INT is asserted to the host. The safety timer feature can be disabled via I2C (REG05[3]).

The following actions restart the safety timer:

- At the beginning of a new charging cycle

- Toggle the  $\overline{CE}$  pin HIGH to LOW to HIGH (charge enable)
- Write REG01[5:4] from 00 to 01 (charge enable)
- Write REG05[3] from 0 to 1 (safety timer enable)

During input voltage/current regulation or thermal regulation, or when FORCE\_20PCT (REG02[0]) bit is set, the safety timer counts at half clock rate since the actual charge current is likely to be below the register setting. For example, if the charger is in input current regulation (IINDPM) throughout the whole charging cycle, and the safety time is set to 5 hours, the safety timer will expire in 10 hours. This feature can be disabled by writing 0 to REG07[6].

It is recommended to disable safety timer first by clearing REG05[3] bit before safety timer configuration is changed. The safety timer should be re-enabled by setting REG05[3] bit.

### 9.3.3.7 USB Timer when Charging from USB100mA Source

The total charging time in default mode from USB100-mA source is limited by a 45-min max timer. At the end of the timer, the device stops the converter and goes to HIZ.

## 9.3.4 Status Outputs ( $\overline{PG}$ , STAT, and INT)

### 9.3.4.1 Power Good Indicator ( $\overline{PG}$ )

In bq24192, bq24192I,  $\overline{PG}$  goes LOW to indicate a good input source when:

1. VBUS above UVLO
2. VBUS above battery (not in sleep)
3. VBUS below ACOV threshold
4. VBUS above 3.8 V when 30-mA current is applied (not a poor source)

### 9.3.4.2 Charging Status Indicator (STAT)

The bq24190, bq24192, bq24192I indicates charging state on the open drain STAT pin. The STAT pin can drive LED as the application diagram shows.

表 6. STAT Pin State

| CHARGING STATE   | STAT  |
|--|---|
| Charging in progress (including recharge)  | LOW   |
| Charging complete  | HIGH  |
| Sleep mode, charge disable   | HIGH  |
| Charge suspend (Input over-voltage, TS fault, timer fault, input or system over-voltage) | blinking at 1Hz (bq24190, bq24192)<br>or 10-k $\Omega$ pull down (bq24192I) |

When a fault occurs, instead of blinking, the STAT pin in bq24192I has a 10-k $\Omega$  pull-down resistor to ground. When the pull-up resistor is 30 k $\Omega$ , the STAT voltage during fault is 1/4 of the pull-up rail.

### 9.3.4.3 Interrupt to Host (INT)

In some applications, the host does not always monitor the charger operation. The INT notifies the system on the device operation. The following events will generate 256-us INT pulse.

- USB/adaptor source identified (through PSEL or DPDM detection, with OTG pin)
- Good input source detected
  - $V_{VBUS} - V_{BAT} > V_{SLEEPZ}$
  - $V_{VBUS} > V_{ACOV}$
  - current limit above  $I_{BADSRC}$
- Input removed
- Charge Complete
- Any FAULT event in REG09

When a fault occurs, the charger device sends out INT and keeps the fault state in REG09 until the host reads the fault register. Before the host reads REG09 and all the faults are cleared, the charger device would not send any INT upon new faults. In order to read the current fault status, the host has to read REG09 two times consecutively. The 1<sup>st</sup> reads fault register status from the last read and the 2<sup>nd</sup> reads the current fault register status.

### 9.3.5 Protections

#### 9.3.5.1 Input Current Limit on ILIM

For safe operation, the bq24190, bq24192, bq24192I has an additional hardware pin on ILIM to limit maximum input current on ILIM pin. The input maximum current is set by a resistor from ILIM pin to ground as:

$$I_{INMAX} = \frac{1V}{R_{ILIM}} \times 530 \quad (3)$$

The actual input current limit is the lower value between ILIM setting and register setting (REG00[2:0]). For example, if the register setting is 111 for 3 A, and ILIM has a 353-Ω resistor to ground for 1.5 A, the input current limit is 1.5 A. ILIM pin can be used to set the input current limit rather than the register settings.

The device regulates ILIM pin at 1 V. If ILIM voltage exceeds 1 V, the device enters input current regulation (Refer to *Dynamic Power Path Management* section).

The voltage on the ILIM pin is proportional to the input current. The ILIM pin can be used to monitor the input current per 公式 4:

$$I_{IN} = \frac{V_{ILIM}}{1V} \times I_{INMAX} \quad (4)$$

For example, if the ILIM pin sets 2 A, and the ILIM voltage is 0.6 V, the actual input current is 1.2 A. If the ILIM pin is open, the input current is limited to zero since ILIM voltage floats above 1 V. If the ILIM pin is short, the input current limit is set by the register.

#### 9.3.5.2 Thermal Regulation and Thermal Shutdown

The bq24190, bq24192, bq24192I monitors the internal junction temperature  $T_J$  to avoid overheat the chip and limits the IC surface temperature. When the internal junction temperature exceeds the preset limit (REG06[1:0]), the device lowers down the charge current. The wide thermal regulation range from 60°C to 120°C allows the user to optimize the system thermal performance.

During thermal regulation, the actual charging current is usually below the programmed battery charging current. Therefore, termination is disabled, the safety timer runs at half the clock rate, and the status register REG08[1] goes high.

Additionally, the device has thermal shutdown to turn off the converter. The fault register REG09[5:4] is 10 and an INT is asserted to the host.

#### 9.3.5.3 Voltage and Current Monitoring in Buck Mode

The bq24190, bq24192, bq24192I closely monitor the input and system voltage, as well as HSFET and LSFET current for safe buck mode operation.

##### 9.3.5.3.1 Input Over-Voltage (ACOV)

The maximum input voltage for buck mode operation is 18 V. If VBUS voltage exceeds 18 V, the device stops switching immediately. During input over voltage (ACOV), the fault register REG09[5:4] will be set to 01. An INT is asserted to the host.

##### 9.3.5.3.2 System Over-Voltage Protection (YSOVP)

The charger device monitors the voltage at SYS. When system over-voltage is detected, the converter is stopped to protect components connected to SYS from high voltage damage.

### 9.3.5.4 Voltage and Current Monitoring in Boost Mode

The bq24190, bq24192, bq24192I closely monitors the VBUS voltage, as well as HSFET and LSFET current to ensure safe boost mode operation.

#### 9.3.5.4.1 VBUS Over-Voltage Protection

The boost mode regulated output is 5 V. When an adapter plugs in during boost mode, the VBUS voltage will rise above regulation target. Once the VBUS voltage exceeds 5.3 V, the bq24190, bq24192, bq24192I stops switching and the device exits boost mode. The fault register REG09[6] is set high to indicate fault in boost operation. An INT is asserted to the host.

### 9.3.5.5 Battery Protection

#### 9.3.5.5.1 Battery Over-Current Protection (BATOVP)

The battery over-voltage limit is clamped at 4% above the battery regulation voltage. When battery over voltage occurs, the charger device immediately disables charge. The fault register REG09[5] goes high and an INT is asserted to the host.

#### 9.3.5.5.2 Charging During Battery Short Protection

If the battery voltage falls below 2 V, the charge current is reduced to 100 mA for battery safety.

#### 9.3.5.5.3 System Over-Current Protection

If the system is shorted or exceeds the over-current limit, the BATFET is latched off. DC source insertion on VBUS is required to reset the latch-off condition and turn on BATFET.

### 9.3.6 Serial Interface

The bq24190, bq24192, bq24192I uses I<sup>2</sup>C compatible interface for flexible charging parameter programming and instantaneous device status reporting. I<sup>2</sup>C is a bi-directional 2-wire serial interface developed by Philips Semiconductor (now NXP Semiconductors). Only two bus lines are required: a serial data line (SDA) and a serial clock line (SCL). Devices can be considered as masters or slaves when performing data transfers. A master is the device which initiates a data transfer on the bus and generates the clock signals to permit that transfer. At that time, any device addressed is considered a slave.

The device operates as a slave device with address 6BH, receiving control inputs from the master device like micro controller or a digital signal processor. The I<sup>2</sup>C interface supports both standard mode (up to 100 kbits), and fast mode (up to 400 kbits).

Both SDA and SCL are bi-directional lines, connecting to the positive supply voltage via a current source or pull-up resistor. When the bus is free, both lines are HIGH. The SDA and SCL pins are open drain.

#### 9.3.6.1 Data Validity

The data on the SDA line must be stable during the HIGH period of the clock. The HIGH or LOW state of the data line can only change when the clock signal on the SCL line is LOW. One clock pulse is generated for each data bit transferred.



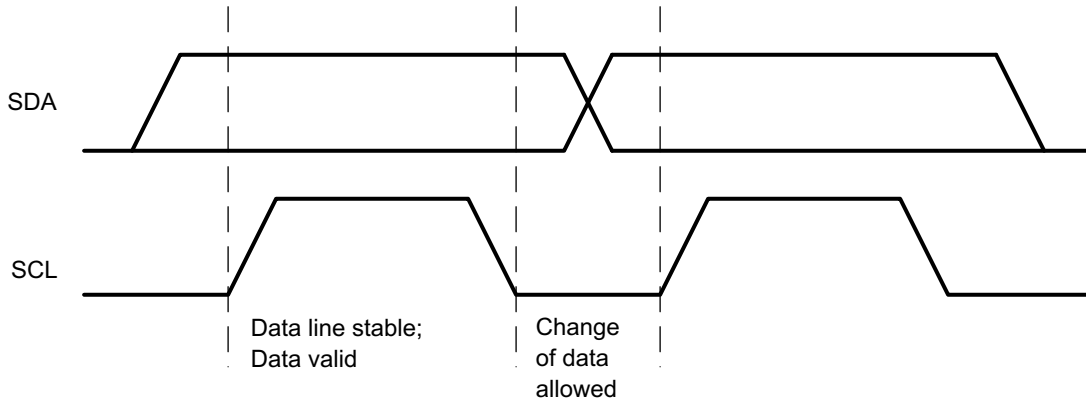


图 17. Bit Transfer on the I<sup>2</sup>C Bus

### 9.3.6.2 START and STOP Conditions

All transactions begin with a START (S) and can be terminated by a STOP (P). A HIGH to LOW transition on the SDA line while SCL is HIGH defines a START condition. A LOW to HIGH transition on the SDA line when the SCL is HIGH defines a STOP condition.

START and STOP conditions are always generated by the master. The bus is considered busy after the START condition, and free after the STOP condition.

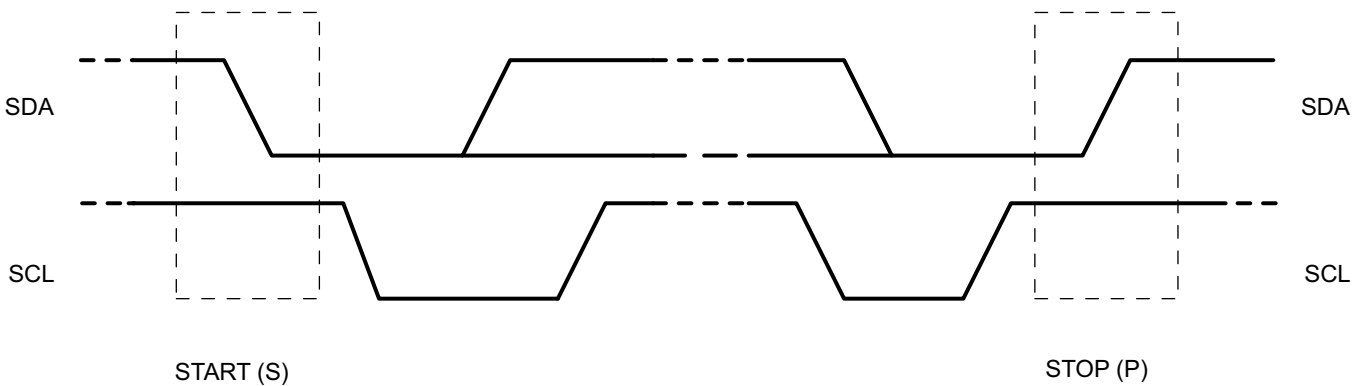


图 18. START and STOP conditions

### 9.3.6.3 Byte Format

Every byte on the SDA line must be 8 bits long. The number of bytes to be transmitted per transfer is unrestricted. Each byte has to be followed by an Acknowledge bit. Data is transferred with the Most Significant Bit (MSB) first. If a slave cannot receive or transmit another complete byte of data until it has performed some other function, it can hold the clock line SCL low to force the master into a wait state (clock stretching). Data transfer then continues when the slave is ready for another byte of data and release the clock line SCL.

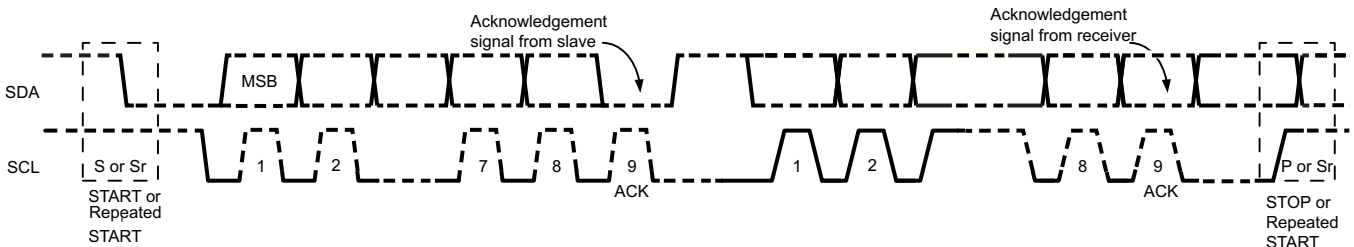


图 19. Data Transfer on the I<sup>2</sup>C Bus

### 9.3.6.4 Acknowledge (ACK) and Not Acknowledge (NACK)

The acknowledge takes place after every byte. The acknowledge bit allows the receiver to signal the transmitter that the byte was successfully received and another byte may be sent. All clock pulses, including the acknowledge 9<sup>th</sup> clock pulse, are generated by the master.

The transmitter releases the SDA line during the acknowledge clock pulse so the receiver can pull the SDA line LOW and it remains stable LOW during the HIGH period of this clock pulse.

When SDA remains HIGH during the 9th clock pulse, this is the Not Acknowledge signal. The master can then generate either a STOP to abort the transfer or a repeated START to start a new transfer.

### 9.3.6.5 Slave Address and Data Direction Bit

After the START, a slave address is sent. This address is 7 bits long followed by the eighth bit as a data direction bit (bit R/W). A zero indicates a transmission (WRITE) and a one indicates a request for data (READ).

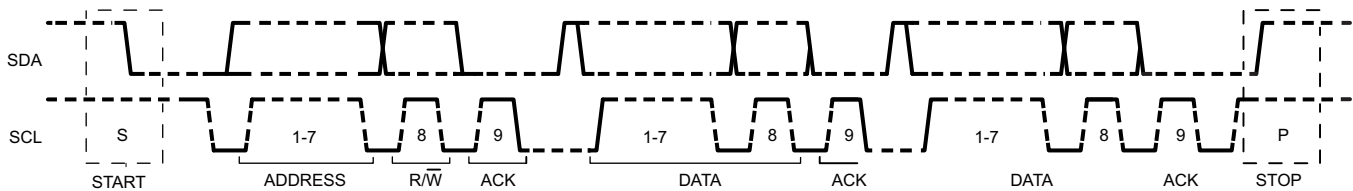


图 20. Complete Data Transfer

#### 9.3.6.5.1 Single Read and Write

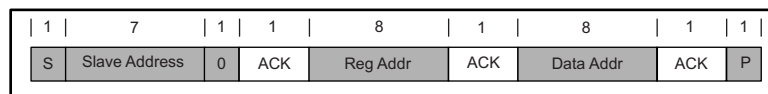


图 21. Single Write

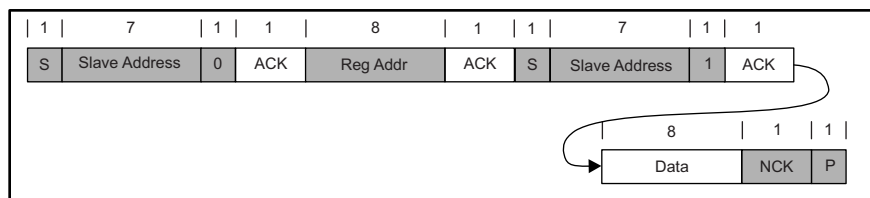


图 22. Single Read

If the register address is not defined, the charger IC send back NACK and go back to the idle state.

#### 9.3.6.5.2 Multi-Read and Multi-Write

The charger device supports multi-read and multi-write on REG00 through REG08.



图 23. Multi-Write

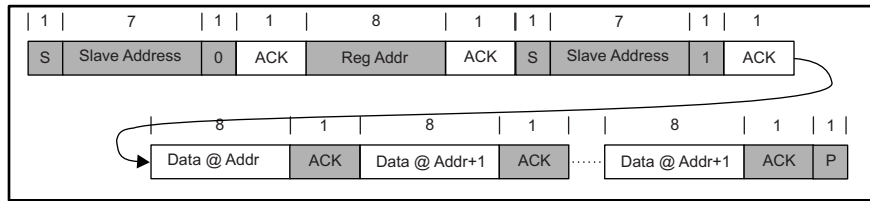


图 24. Multi-Read

The fault register REG09 locks the previous fault and only clears it after the register is read. For example, if Charge Safety Timer Expiration fault occurs but recovers later, the fault register REG09 reports the fault when it is read the first time, but returns to normal when it is read the second time. To verify real time fault, the fault register REG09 should be read twice to get the real condition. In addition, the fault register REG09 does not support multi-read or multi-write.

## 9.4 Device Functional Modes

### 9.4.1 Host Mode and Default Mode

The bq24190, bq24192, bq24192I is a host controlled device, but it can operate in default mode without host management. In default mode, bq24190, bq24192, bq24192I can be used as an autonomous charger with no host or with host in sleep.

When the charger is in default mode, REG09[7] is HIGH. When the charger is in host mode, REG09[7] is LOW. After power-on-reset, the device starts in watchdog timer expiration state, or default mode. All the registers are in the default settings.

Any write command to bq24190, bq24192, bq24192I transitions the device from default mode to host mode. All the device parameters can be programmed by the host. To keep the device in host mode, the host has to reset the watchdog timer by writing 1 twice to REG01[6] before the watchdog timer expires (REG05[5:4]), or disable watchdog timer by setting REG05[5:4] = 00.

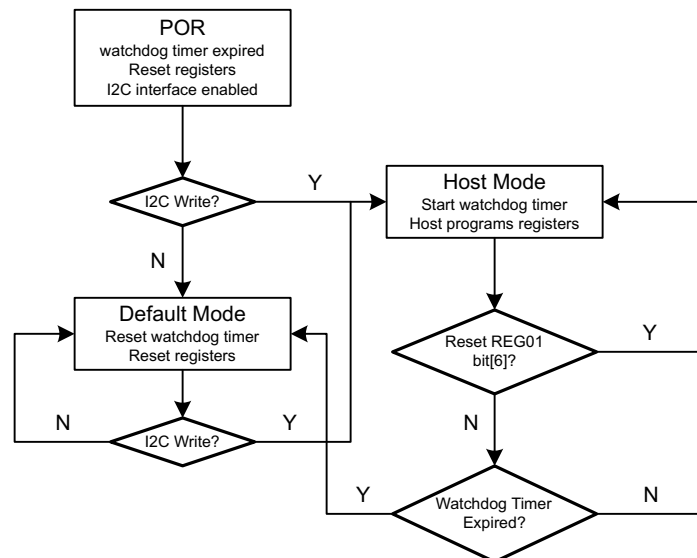


图 25. Watchdog Timer Flow Chart

#### 9.4.1.1 Plug in USB100mA Source with Good Battery

When the input source is detected as 100-mA USB host, and the battery voltage is above batgood threshold ( $V_{BATGD}$ ), the charger device enters HIZ state to meet the battery charging spec requirement.

## Device Functional Modes (接下页)

If the charger device is in host mode, it will stay in HIZ state even after the USB100-mA source is removed, and the adapter plugs in. During the HIZ state, REG00[7] is set HIGH and the system load is supplied from battery. It is recommended that the processor host always checks if the charger IC is in HIZ state when it wakes up. The host can write REG00[7] to 0 to exit HIZ state.

If the charger is in default mode, when the DC source is removed, the charger device will get out of HIZ state automatically. When the input source plugs in again, the charger IC runs detection on the input source and update the input current limit.

### 9.4.1.2 USB Timer when Charging from USB 100-mA Source

The total charging time in default mode from USB 100-mA source is limited by a 45-min max timer. At the end of the timer, the device stops the converter and goes to HIZ.

## 9.5 Register Map

表 7. Register Map

| REGISTER | REGISTER NAME   | RESET  |
|----------|---|--|
| REG00    | Input Source Control Register                         | bq24190, bq24192: 00110000, or 30<br>bq24192I: 00111000, or 38 |
| REG01    | Power-On Configuration Register                       | 00011011, or 1B  |
| REG02    | Charge Current Control Register                       | bq24190, bq24192: 01100000, or 60<br>bq24192I: 00100000, or 20 |
| REG03    | Pre-Charge/Termination Current Control Register       | 00010001, or 11  |
| REG04    | Charge Voltage Control Register                       | bq24190, bq24192: 10110010, or B2<br>bq24192I: 10011010, or 9A |
| REG05    | Charge Termination/Timer Control Register             | 10011010, or 9A  |
| REG06    | IR Compensation / Thermal Regulation Control Register | 00000011, or 03  |
| REG07    | Misc Operation Control Register                       | 01001011, or 4B  |
| REG08    | System Status Register                                | —  |
| REG09    | Fault Register  | —  |
| REG0A    | Vender / Part / Revision Status Register              | —  |

## 9.5.1 I<sup>2</sup>C Registers

Address: 6BH. REG00-07 support Read and Write. REG08-0A are read only.

### 9.5.1.1 Input Source Control Register REG00 (bq24190, bq24192 reset = 00110000, or 30; bq24192I reset = 00111000, or 38)

图 26. REG00 Input Source Control Register Format

| 7      | 6         | 5         | 4         | 3         | 2         | 1         | 0         |
|--------|-----------|-----------|-----------|-----------|-----------|-----------|-----------|
| EN_HIZ | VINDPM[3] | VINDPM[2] | VINDPM[1] | VINDPM[0] | IINLIM[2] | IINLIM[1] | IINLIM[0] |
| R/W    | R/W       | R/W       | R/W       | R/W       | R/W       | R/W       | R/W       |

LEGEND: R/W = Read/Write; R = Read only; -n = value after reset

表 8. REG00 Input Source Control Register Description

| BIT  | FIELD     | TYPE | RESET                               | DESCRIPTION                                  |   |
|--|-----------|------|-------------------------------------|--|---|
| Bit 7  | EN_HIZ    | R/W  | 0                                   | 0 – Disable, 1 – Enable                      | Default: Disable (0)  |
| Input Voltage Limit  |           |      |                                     |  |   |
| Bit 6  | VINDPM[3] | R/W  | 0                                   | 640 mV                                       | Offset 3.88 V, Range: 3.88 V to 5.08 V<br>Default:<br>bq24190/bq24192: 4.36 V (0110)<br>bq24192I: 4.44 V (0111)                                     |
| Bit 5  | VINDPM[2] | R/W  | 1                                   | 320 mV                                       |   |
| Bit 4  | VINDPM[1] | R/W  | 1                                   | 160 mV                                       |   |
| Bit 3  | VINDPM[0] | R/W  | 0:<br>(bq24190/92)<br>1: (bq24192I) | 80 mV  |   |
| Input Current Limit (Actual input current limit is the lower of I <sup>2</sup> C and ILIM) |           |      |                                     |  |   |
| Bit 2  | IINLIM[2] | R/W  | 0                                   | 000 – 100 mA, 001 – 150 mA,<br>010 – 500 mA, | Default SDP: 100 mA (000)(OTG pin = 0) or 500 mA (010)<br>(OTG pin = 1)<br>Default DCP/CDP:<br>bq24190/bq24192I: 1.5 A (101),<br>bq24192: 3 A (111) |
| Bit 1  | IINLIM[1] | R/W  | 0                                   | 011 – 900 mA, 100 – 1.2 A,                   |   |
| Bit 0  | IINLIM[0] | R/W  | 0                                   | 101 – 1.5 A,<br>110 – 2 A, 111 – 3 A         |   |

**9.5.1.2 Power-On Configuration Register REG01 (reset = 00011011, or 1B)**
**图 27. REG01 Power-On Configuration Register Format**

| 7              | 6  | 5             | 4             | 3          | 2          | 1          | 0         |
|----------------|--|---------------|---------------|------------|------------|------------|-----------|
| Register Reset | I <sup>2</sup> C Watchdog<br>Timer Reset | CHG_CONFIG[1] | CHG_CONFIG[0] | SYS_MIN[2] | SYS_MIN[1] | SYS_MIN[0] | BOOST_LIM |
| R/W            | R/W                                      | R/W           | R/W           | R/W        | R/W        | R/W        | R/W       |

LEGEND: R/W = Read/Write; R = Read only; -n = value after reset

**表 9. REG01 Power-On Configuration Register Description**

| BIT                          | FIELD                                    | TYPE | RESET | DESCRIPTION   | NOTE   |
|------------------------------|--|------|-------|---|--|
| Bit 7                        | Register Reset                           | R/W  | 0     | 0 – Keep current register setting,<br>1 – Reset to default  | Default: Keep current register setting (0)<br>Back to 0 after register reset |
| Bit 6                        | I <sup>2</sup> C Watchdog<br>Timer Reset | R/W  | 0     | 0 – Normal ; 1 – Reset                                      | Default: Normal (0)<br>Back to 0 after timer reset                           |
| Charger Configuration        |  |      |       |   |  |
| Bit 5                        | CHG_CONFIG[1]                            | R/W  | 0     | 00 – Charge Disable, 01 – Charge<br>Battery,<br>10/11 – OTG | Default: Charge Battery (01)   |
| Bit 4                        | CHG_CONFIG[0]                            | R/W  | 1     |   |  |
| Minimum System Voltage Limit |  |      |       |   |  |
| Bit 3                        | SYS_MIN[2]                               | R/W  | 1     | 0.4 V   | Offset: 3.0 V, Range 3.0 V to 3.7 V<br>Default: 3.5 V (101)                  |
| Bit 2                        | SYS_MIN[1]                               | R/W  | 0     | 0.2 V   |  |
| Bit 1                        | SYS_MIN[0]                               | R/W  | 1     | 0.1 V   |  |
| Boost Mode Current Limit     |  |      |       |   |  |
| Bit 0                        | BOOST_LIM                                | R/W  | 1     | 0 – 500 mA, 1 – 1.3 A                                       | Default: 1.3 A (1)   |

**9.5.1.3 Charge Current Control Register REG02 (bq24190, bq24192 reset = 01100000, or 60; bq24192I reset = 00100000, or 20)**
**图 28. REG02 Charge Current Control Register Format**

| 7       | 6       | 5       | 4       | 3       | 2       | 1        | 0           |
|---------|---------|---------|---------|---------|---------|----------|-------------|
| ICHG[5] | ICHG[4] | ICHG[3] | ICHG[2] | ICHG[1] | ICHG[0] | Reserved | FORCE_20PCT |
| R/W     | R/W     | R/W     | R/W     | R/W     | R/W     | R/W      | R/W         |

LEGEND: R/W = Read/Write; R = Read only; -n = value after reset

**表 10. REG02 Charge Current Control Register Description**

| BIT                       | FIELD       | TYPE | RESET                            | DESCRIPTION  | NOTE   |
|---------------------------|-------------|------|----------------------------------|--|--|
| Fast Charge Current Limit |             |      |                                  |  |  |
| Bit 7                     | ICHG[5]     | R/W  | 0                                | 2048 mA  | Offset: 512 mA<br>Range: 512 to 4544 mA<br>Default:<br>bq24190, bq24192: 2048 mA (011000),<br>bq24192I: 1024 mA (001000) |
| Bit 6                     | ICHG[4]     | R/W  | 0: (bq24192I)<br>1: (bq24190/92) | 1024 mA  |  |
| Bit 5                     | ICHG[3]     | R/W  | 1                                | 512 mA   |  |
| Bit 4                     | ICHG[2]     | R/W  | 0                                | 256 mA   |  |
| Bit 3                     | ICHG[1]     | R/W  | 0                                | 128 mA   |  |
| Bit 2                     | ICHG[0]     | R/W  | 0                                | 64 mA  |  |
| Bit 1                     | Reserved    | R/W  | 0                                | 0 - Reserved   |  |
| Bit 0                     | FORCE_20PCT | R/W  | 0                                | 0 - ICHG as REG02[7:2] (Fast Charge Current Limit) and REG03[7:4] (Pre-Charge Current Limit) programmed<br>1 - ICHG as 20% of REG02[7:2] (Fast Charge Current Limit) and 50% of REG03[7:4] (Pre-Charge Current Limit) programmed | Default: ICHG as REG02[7:2] (Fast Charge Current Limit) and REG03[7:4] (Pre-Charge Current Limit) programmed (0)         |

**9.5.1.4 Pre-Charge/Termination Current Control Register REG03 (reset = 00010001, or 11)**
**图 29. REG03 Pre-Charge/Termination Current Control Register Format**

| 7          | 6          | 5          | 4          | 3        | 2        | 1        | 0        |
|------------|------------|------------|------------|----------|----------|----------|----------|
| IPRECHG[3] | IPRECHG[2] | IPRECHG[1] | IPRECHG[0] | ITERM[3] | ITERM[2] | ITERM[1] | ITERM[0] |
| R/W        | R/W        | R/W        | R/W        | R/W      | R/W      | R/W      | R/W      |

LEGEND: R/W = Read/Write; R = Read only; -n = value after reset

**表 11. REG03 Pre-Charge/Termination Current Control Register Description**

| BIT                       | FIELD      | TYPE | RESET | DESCRIPTION | NOTE   |
|---------------------------|------------|------|-------|-------------|--|
| Pre-Charge Current Limit  |            |      |       |             |  |
| Bit 7                     | IPRECHG[3] | R/W  | 0     | 1024 mA     | Offset: 128 mA,<br>Range:<br>bq24190, bq24192: 128 mA to 2048 mA<br>bq24192I: 128 mA to 640 mA(0100)<br>Default: 256 mA (0001) |
| Bit 6                     | IPRECHG[2] | R/W  | 0     | 512 mA      |  |
| Bit 5                     | IPRECHG[1] | R/W  | 0     | 256 mA      |  |
| Bit 4                     | IPRECHG[0] | R/W  | 1     | 128 mA      |  |
| Termination Current Limit |            |      |       |             |  |
| Bit 3                     | ITERM[3]   | R/W  | 0     | 1024 mA     | Offset: 128 mA<br>Range: 128 mA to 2048 mA<br>Default: 256 mA (0001)   |
| Bit 2                     | ITERM[2]   | R/W  | 0     | 512 mA      |  |
| Bit 1                     | ITERM[1]   | R/W  | 0     | 256 mA      |  |
| Bit 0                     | ITERM[0]   | R/W  | 1     | 128 mA      |  |

**9.5.1.5 Charge Voltage Control Register REG04 (bq24190, bq24192 reset = 10110010, or B2; bq24192I reset = 10011010, or 9A)**
**图 30. REG04 Charge Voltage Control Register Format**

| 7       | 6       | 5       | 4       | 3       | 2       | 1       | 0      |
|---------|---------|---------|---------|---------|---------|---------|--------|
| VREG[5] | VREG[4] | VREG[3] | VREG[2] | VREG[1] | VREG[0] | BATLOWV | VRECHG |
| R/W     | R/W     | R/W     | R/W     | R/W     | R/W     | R/W     | R/W    |

LEGEND: R/W = Read/Write; R = Read only; -n = value after reset

**表 12. REG04 Charge Voltage Control Register Description**

| BIT   | FIELD   | TYPE | RESET                            | DESCRIPTION            | NOTE  |
|---|---------|------|----------------------------------|------------------------|---|
| Charge Voltage Limit  |         |      |                                  |                        |   |
| Bit 7   | VREG[5] | R/W  | 1                                | 512 mV                 | Offset: 3.504 V<br>Range: 3.504 V to 4.400 V (111000)<br>Default:<br>bq24190, bq24192: 4.208 V (101100)<br>bq24192I: 4.112 V (100110) |
| Bit 6   | VREG[4] | R/W  | 0                                | 256 mV                 |   |
| Bit 5   | VREG[3] | R/W  | 0: (bq24192I)<br>1: (bq24190/92) | 128 mV                 |   |
| Bit 4   | VREG[2] | R/W  | 1                                | 64 mV                  |   |
| Bit 3   | VREG[1] | R/W  | 0: (bq24190/92)<br>1: (bq24192I) | 32 mV                  |   |
| Bit 2   | VREG[0] | R/W  | 0                                | 16 mV                  |   |
| Battery Precharge to Fast Charge Threshold                    |         |      |                                  |                        |   |
| Bit 1   | BATLOWV | R/W  | 1                                | 0 – 2.8 V, 1 – 3.0 V   | Default: 3.0 V (1)  |
| Battery Recharge Threshold (below battery regulation voltage) |         |      |                                  |                        |   |
| Bit 0   | VRECHG  | R/W  | 0                                | 0 – 100 mV, 1 – 300 mV | Default: 100 mV (0)   |

**9.5.1.6 Charge Termination/Timer Control Register REG05 (reset = 10011010, or 9A)**
**图 31. REG05 Charge Termination/Timer Control Register Format**

| 7       | 6         | 5           | 4           | 3        | 2            | 1            | 0        |
|---------|-----------|-------------|-------------|----------|--------------|--------------|----------|
| EN_TERM | TERM_STAT | WATCHDOG[1] | WATCHDOG[0] | EN_TIMER | CHG_TIMER[1] | CHG_TIMER[0] | Reserved |
| R/W     | R/W       | R/W         | R/W         | R/W      | R/W          | R/W          | R/W      |

LEGEND: R/W = Read/Write; R = Read only; -n = value after reset

**表 13. REG05 Charge Termination/Timer Control Register Description**

| BIT                             | FIELD        | TYPE | RESET | DESCRIPTION  | NOTE   |
|---------------------------------|--------------|------|-------|--|--|
| Charging Termination Enable     |              |      |       |  |  |
| Bit 7                           | EN_TERM      | R/W  | 1     | 0 – Disable, 1 – Enable  | Default: Enable termination (1)                                  |
| Termination Indicator Threshold |              |      |       |  |  |
| Bit 6                           | TERM_STAT    | R/W  | 0     | 0 – Match ITERM,<br>1 – STAT pin high before actual termination when charge current below 800 mA | Default Match ITERM (0)  |
| I2C Watchdog Timer Setting      |              |      |       |  |  |
| Bit 5                           | WATCHDOG[1]  | R/W  | 0     | 00 – Disable timer, 01 – 40 s,<br>10 – 80 s, 11 – 160 s  | Default: 40 s (01)   |
| Bit 4                           | WATCHDOG[0]  | R/W  | 1     |  |  |
| Charging Safety Timer Enable    |              |      |       |  |  |
| Bit 3                           | EN_TIMER     | R/W  | 1     | 0 – Disable, 1 – Enable  | Default: Enable (1)  |
| Fast Charge Timer Setting       |              |      |       |  |  |
| Bit 2                           | CHG_TIMER[1] | R/W  | 0     | 00 – 5 hrs, 01 – 8 hrs, 10 – 12 hrs,<br>11 – 20 hrs  | Default: 8 hours (01)<br>(See Charging Safety Timer for details) |
| Bit 1                           | CHG_TIMER[0] | R/W  | 1     |  |  |
| Bit 0                           | Reserved     | R/W  | 0     | 0 - Reserved   | Reserved. Must write "0"   |



**9.5.1.7 IR Compensation / Thermal Regulation Control Register REG06 (reset = 0000011, or 03)**
**图 32. REG06 IR Compensation / Thermal Regulation Control Register Format**

| 7           | 6           | 5           | 4         | 3         | 2         | 1       | 0       |
|-------------|-------------|-------------|-----------|-----------|-----------|---------|---------|
| BAT_COMP[2] | BAT_COMP[1] | BAT_COMP[0] | VCLAMP[2] | VCLAMP[1] | VCLAMP[0] | TREG[1] | TREG[0] |
| R/W         | R/W         | R/W         | R/W       | R/W       | R/W       | R/W     | R/W     |

LEGEND: R/W = Read/Write; R = Read only; -n = value after reset

**表 14. REG06 IR Compensation / Thermal Regulation Control Register Description**

| BIT  | FIELD       | TYPE | RESET | DESCRIPTION                | NOTE                                      |
|--|-------------|------|-------|----------------------------|---|
| IR Compensation Resistor Setting                         |             |      |       |                            |   |
| Bit 7  | BAT_COMP[2] | R/W  | 0     | 40 mΩ                      | Range: 0 to 70 mΩ<br>Default: 0 Ω (000)   |
| Bit 6  | BAT_COMP[1] | R/W  | 0     | 20 mΩ                      |   |
| Bit 5  | BAT_COMP[0] | R/W  | 0     | 10 mΩ                      |   |
| IR Compensation Voltage Clamp (above regulation voltage) |             |      |       |                            |   |
| Bit 4  | VCLAMP[2]   | R/W  | 0     | 64 mV                      | Range: 0 to 112 mV<br>Default: 0 mV (000) |
| Bit 3  | VCLAMP[1]   | R/W  | 0     | 32 mV                      |   |
| Bit 2  | VCLAMP[0]   | R/W  | 0     | 16 mV                      |   |
| Thermal Regulation Threshold                             |             |      |       |                            |   |
| Bit 1  | TREG[1]     | R/W  | 1     | 00 – 60°C, 01 – 80°C, 10 – | Default: 120°C (11)                       |
| Bit 0  | TREG[0]     | R/W  | 1     | 100°C, 11 – 120°C          |   |

**9.5.1.8 Misc Operation Control Register REG07 (reset = 01001011, or 4B)**
**图 33. REG07 Misc Operation Control Register Format**

| 7       | 6        | 5              | 4        | 3        | 2        | 1           | 0           |
|---------|----------|----------------|----------|----------|----------|-------------|-------------|
| DPDM_EN | TMR2X_EN | BATFET_Disable | Reserved | Reserved | Reserved | INT_MASK[1] | INT_MASK[0] |
| R/W     | R/W      | R/W            | R/W      | R/W      | R/W      | R/W         | R/W         |

LEGEND: R/W = Read/Write; R = Read only; -n = value after reset

**表 15. REG07 Misc Operation Control Register Description**

| BIT  | FIELD          | TYPE | RESET | DESCRIPTION   | NOTE   |
|--|----------------|------|-------|---|--|
| Force DPDM detection (bq24190) or set default input current limit from PSEL/OTG pins (bq24192, bq24192I) |                |      |       |   |  |
| Bit 7  | DPDM_EN        | R/W  | 0     | 0 – Not in D+/D– detection;<br>1 – Force D+/D– detection  | Default: Not in D+/D– detection (0),<br>Back to 0 after detection complete |
| Safety Timer Setting during Input DPM and Thermal Regulation   |                |      |       |   |  |
| Bit 6  | TMR2X_EN       | R/W  | 1     | 0 – Safety timer not slowed by 2X during<br>input DPM or thermal regulation,<br>1 – Safety timer slowed by 2X during<br>input DPM or thermal regulation | Default: Safety timer slowed by 2X (1)                                     |
| Force BATFET Off   |                |      |       |   |  |
| Bit 5  | BATFET_Disable | R/W  | 0     | 0 – Allow Q4 turn on, 1 – Turn off Q4   | Default: Allow Q4 turn on(0)   |
| Bit 4  | Reserved       | R/W  | 0     | 0 – Reserved  |  |
| Bit 4  | Reserved       | R/W  | 0     | 0 – Reserved. Must write "0"  |  |
| Bit 3  | Reserved       | R/W  | 1     | 1 – Reserved. Must write "1"  |  |
| Bit 2  | Reserved       | R/W  | 0     | 0 – Reserved. Must write "0"  |  |
| Bit 1  | INT_MASK[1]    | R/W  | 1     | 0 – No INT during CHRG_FAULT, 1 –<br>INT on CHRG_FAULT  | Default: INT on CHRG_FAULT (1)   |
| Bit 0  | INT_MASK[0]    | R/W  | 1     | 0 – No INT during BAT_FAULT, 1 – INT<br>on BAT_FAULT  | Default: INT on BAT_FAULT (1)  |

### 9.5.1.9 System Status Register REG08

**图 34. REG08 System Status Register Format**

| 7            | 6            | 5            | 4            | 3        | 2       | 1          | 0         |
|--------------|--------------|--------------|--------------|----------|---------|------------|-----------|
| VBUS_STAT[1] | VBUS_STAT[0] | CHRG_STAT[1] | CHRG_STAT[0] | DPM_STAT | PG_STAT | THERM_STAT | VSYS_STAT |
| R            | R            | R            | R            | R        | R       | R          | R         |

LEGEND: R = Read only; -n = value after reset

**表 16. REG08 System Status Register Description**

| BIT   | FIELD        | TYPE | DESCRIPTION   |
|-------|--------------|------|---|
| Bit 7 | VBUS_STAT[1] | R    | 00 – Unknown (no input, or DPDM detection incomplete), 01 – USB host, 10 – Adapter port, 11 – OTG       |
| Bit 6 | VBUS_STAT[0] | R    |   |
| Bit 5 | CHRG_STAT[1] | R    | 00 – Not Charging, 01 – Pre-charge ( $<V_{BATLOWV}$ ), 10 – Fast Charging, 11 – Charge Termination Done |
| Bit 4 | CHRG_STAT[0] | R    |   |
| Bit 3 | DPM_STAT     | R    | 0 – Not DPM, 1 – VINDPM or IINDPM   |
| Bit 2 | PG_STAT      | R    | 0 – Not Power Good, 1 – Power Good  |
| Bit 1 | THERM_STAT   | R    | 0 – Normal, 1 – In Thermal Regulation   |
| Bit 0 | VSYS_STAT    | R    | 0 – Not in VSYSMIN regulation ( $BAT > VSYSMIN$ ), 1 – In VSYSMIN regulation ( $BAT < VSYSMIN$ )        |

### 9.5.1.10 Fault Register REG09

**图 35. REG09 Fault Register Format**

| 7              | 6           | 5             | 4             | 3         | 2            | 1            | 0            |
|----------------|-------------|---------------|---------------|-----------|--------------|--------------|--------------|
| WATCHDOG_FAULT | BOOST_FAULT | CHRG_FAULT[1] | CHRG_FAULT[0] | BAT_FAULT | NTC_FAULT[2] | NTC_FAULT[1] | NTC_FAULT[0] |
| R              | R           | R             | R             | R         | R            | R            | R            |

LEGEND: R = Read only; -n = value after reset

**表 17. REG09 Fault Register Description**

| BIT   | FIELD          | TYPE | DESCRIPTION   |
|-------|----------------|------|---|
| Bit 7 | WATCHDOG_FAULT | R    | 0 – Normal, 1 - Watchdog timer expiration   |
| Bit 6 | BOOST_FAULT    | R    | 0 – Normal, 1 – VBUS overloaded (OCP), or VBUS OVP in boost mode  |
| Bit 5 | CHRG_FAULT[1]  | R    | 00 – Normal, 01 – Input fault (VBUS OVP or $VBAT < VBUS < 3.8 V$ ), 10 - Thermal shutdown,<br>11 – Charge Safety Timer Expiration |
| Bit 4 | CHRG_FAULT[0]  | R    |   |
| Bit 3 | BAT_FAULT      | R    | 0 – Normal, 1 – BATOVP  |
| Bit 2 | NTC_FAULT[2]   | R    | 000 – Normal, 001 – TS1 Cold, 010 – TS1 Hot, 011 – TS2 Cold,<br>100 – TS2 Hot, 101 – Both Cold, 110 – Both Hot                    |
| Bit 1 | NTC_FAULT[1]   | R    |   |
| Bit 0 | NTC_FAULT[0]   | R    |   |

**9.5.1.11 Vender / Part / Revision Status Register REG0A (bq24190 reset = 00100011, or 23; bq24192 reset = 00101011, or 2B; bq24192I reset = 00001011, or 0B)**
**图 36. REG0A Vender / Part / Revision Status Register Format**

| 7        | 6        | 5     | 4     | 3     | 2          | 1          | 0          |
|----------|----------|-------|-------|-------|------------|------------|------------|
| Reserved | Reserved | PN[2] | PN[1] | PN[0] | TS_PROFILE | DEV_REG[0] | DEV_REG[1] |
| R        | R        | R     | R     | R     | R          | R          | R          |

LEGEND: R = Read only; -n = value after reset

**表 18. REG0A Vender / Part / Revision Status Register Description**

| BIT                  | FIELD      | TYPE | RESET                            | DESCRIPTION                                  |
|----------------------|------------|------|----------------------------------|--|
| Bit 7                | Reserved   | R    | 0                                | 0 - Reserved                                 |
| Bit 6                | Reserved   | R    | 0                                | 0 - Reserved                                 |
| Device Configuration |            |      |                                  |  |
| Bit 5                | PN[2]      | R    | 0: (bq24192I)<br>1: (bq24190/92) | bq24190 – 100, bq24192 – 101, bq24192I – 011 |
| Bit 4                | PN[1]      | R    | 0                                |  |
| Bit 3                | PN[0]      | R    | 0: (bq24190)<br>1: (bq24192/92I) |  |
| Bit 2                | TS_PROFILE | R    | 0                                | 0 – Cold/Hot window                          |
| Bit 1                | DEV_REG[0] | R    | 1                                | 11   |
| Bit 0                | DEV_REG[1] | R    | 1                                |  |

## 10 Application and Implementation

### 注

Information in the following applications sections is not part of the TI component specification, and TI does not warrant its accuracy or completeness. TI's customers are responsible for determining suitability of components for their purposes. Customers should validate and test their design implementation to confirm system functionality.

### 10.1 Application Information

A typical application consists of the device configured as an I<sup>2</sup>C controlled power path management device and a single cell Li-Ion battery charger for single cell Li-Ion and Li-polymer batteries used in a wide range of tablets and other portable devices. It integrates an input reverse-blocking FET (RBFET, Q1), high-side switching FET (HSFET, Q2), low-side switching FET (LSFET, Q3), and BATFET (Q4) between the system and battery. The device also integrates a bootstrap diode for the high-side gate drive.

### 10.2 Typical Application

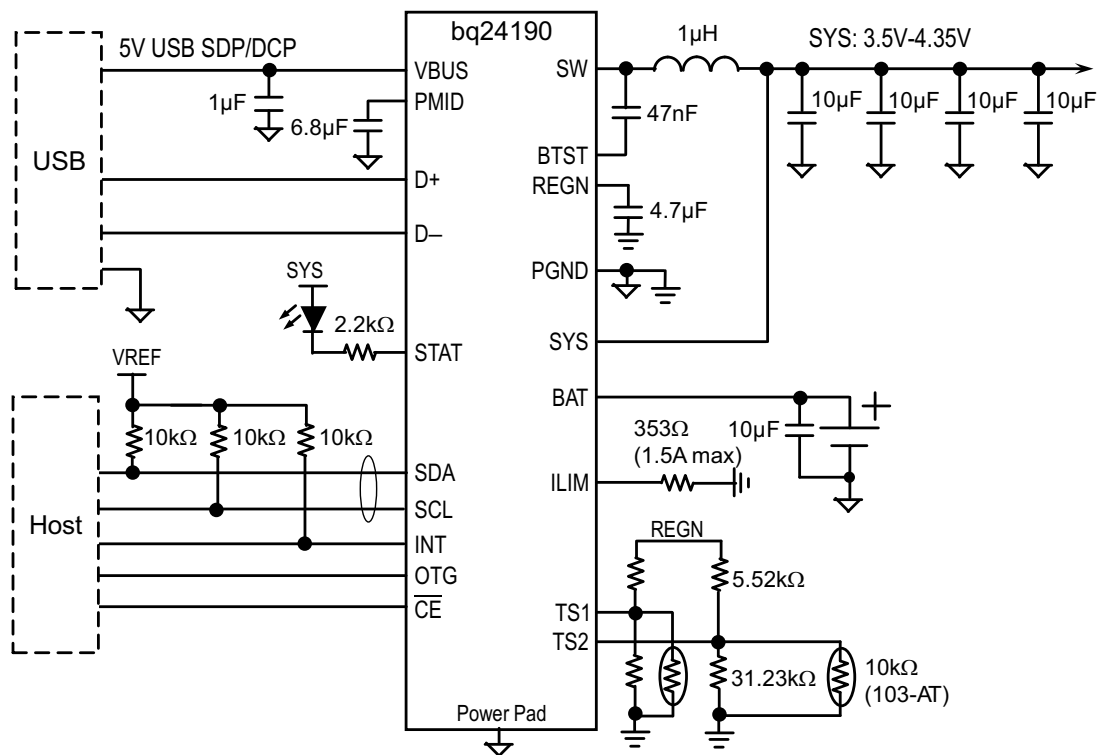


图 37. bq24190 with D+/D- Detection and USB On-The-Go (OTG)

Typical Application (接下页)

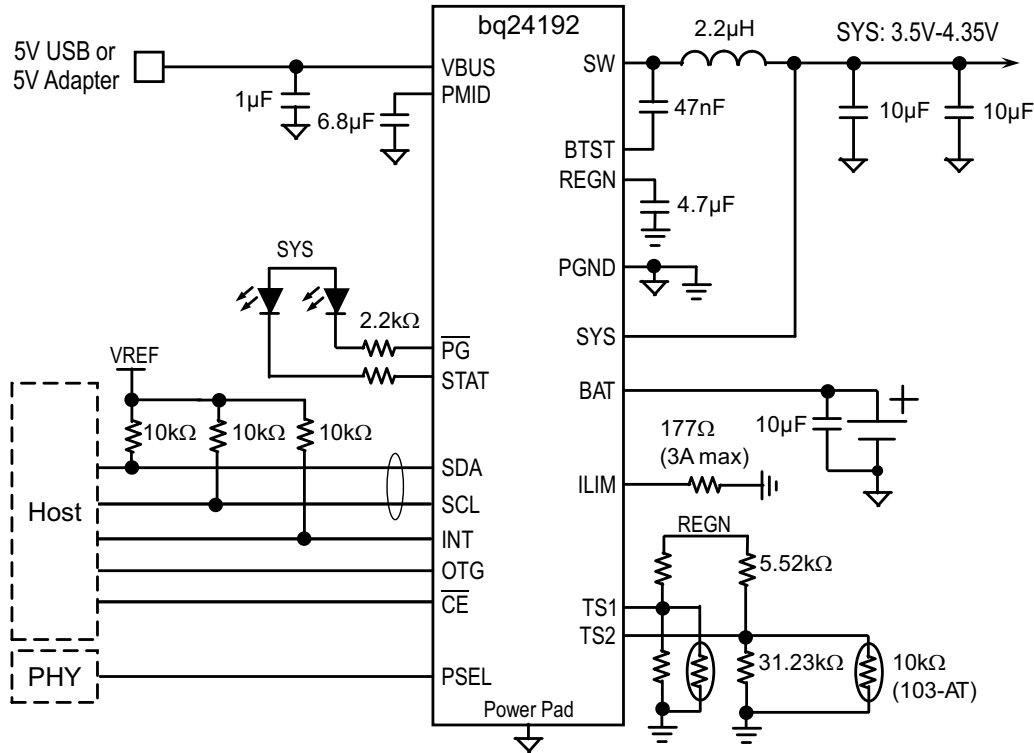


图 38. bq24192 with PSEL and USB On-The-Go (OTG)

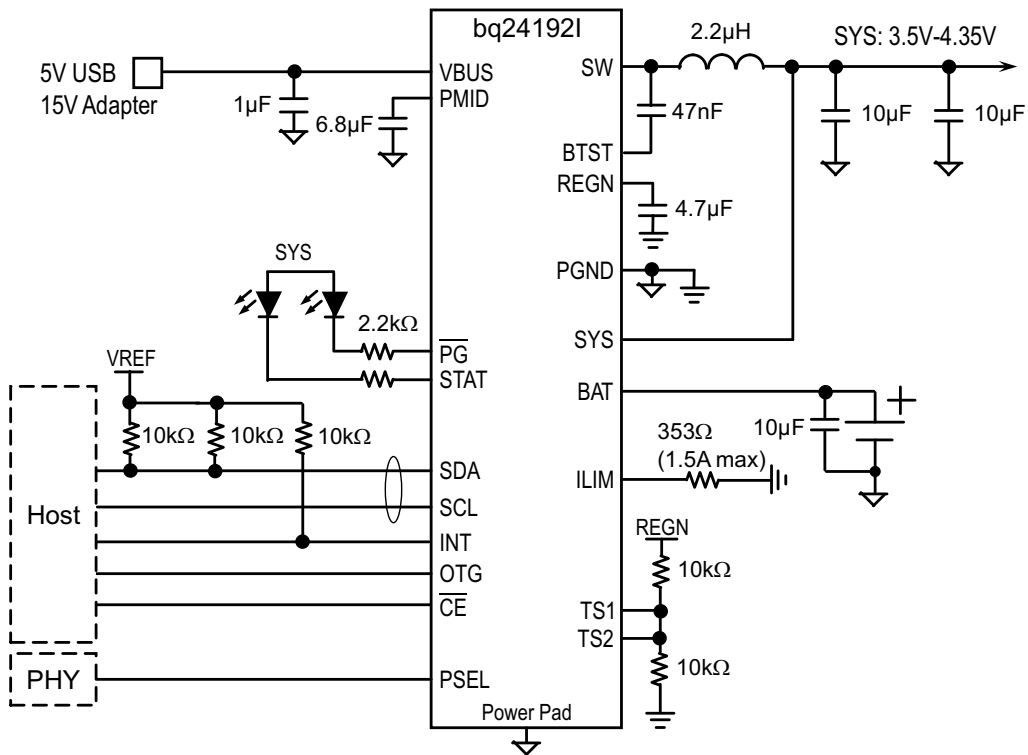


图 39. bq24192I with PSEL, USB On-The-Go (OTG), No Thermistor Connections

## Typical Application (接下页)

### 10.2.1 Design Requirements

**表 19. Design Requirements**

| DESIGN PARAMETER          | EXAMPLE VALUE |
|---------------------------|---------------|
| Input voltage             | 3.9 V to 17 V |
| Input current limit       | 3000 mA       |
| Fast charge current       | 4000 mA       |
| Boost mode output current | 1.3 A         |

### 10.2.2 Detailed Design Procedure

#### 10.2.2.1 Inductor Selection

The bq24190, bq24192, bq24192I has 1.5-MHz switching frequency to allow the use of small inductor and capacitor values. The inductor saturation current should be higher than the charging current ( $I_{CHG}$ ) plus half the ripple current ( $I_{RIPPLE}$ ):

$$I_{SAT} \geq I_{CHG} + (1/2) I_{RIPPLE} \quad (5)$$

The inductor ripple current depends on input voltage ( $V_{BUS}$ ), duty cycle ( $D = V_{BAT}/V_{BUS}$ ), switching frequency ( $f_s$ ) and inductance ( $L$ ):

$$I_{RIPPLE} = \frac{V_{IN} \times D \times (1-D)}{f_s \times L} \quad (6)$$

The maximum inductor ripple current happens with  $D = 0.5$  or close to 0.5. Usually inductor ripple is designed in the range of (20 to 40%) maximum charging current as a trade-off between inductor size and efficiency for a practical design. Typical inductor value is 2.2  $\mu$ H.

#### 10.2.2.2 Input Capacitor

Input capacitor should have enough ripple current rating to absorb input switching ripple current. The worst case RMS ripple current is half of the charging current when duty cycle is 0.5. If the converter does not operate at 50% duty cycle, then the worst case capacitor RMS current  $I_{CIN}$  occurs where the duty cycle is closest to 50% and can be estimated by the following equation:

$$I_{CIN} = I_{CHG} \times \sqrt{D \times (1-D)} \quad (7)$$

For best performance,  $V_{BUS}$  should be decouple to PGND with 1- $\mu$ F capacitance. The remaining input capacitor should be place on PMID.

Low ESR ceramic capacitor such as X7R or X5R is preferred for input decoupling capacitor and should be placed to the drain of the high side MOSFET and source of the low side MOSFET as close as possible. Voltage rating of the capacitor must be higher than normal input voltage level. 25-V rating or higher capacitor is preferred for 15-V input voltage.

#### 10.2.2.3 Output Capacitor

Output capacitor also should have enough ripple current rating to absorb output switching ripple current. The output capacitor RMS current  $I_{COUT}$  is given:

$$I_{COUT} = \frac{I_{RIPPLE}}{2 \times \sqrt{3}} \approx 0.29 \times I_{RIPPLE} \quad (8)$$

The output capacitor voltage ripple can be calculated as follows:

$$\Delta V_O = \frac{V_{OUT}}{8LCf_s^2} \left( 1 - \frac{V_{OUT}}{V_{IN}} \right) \quad (9)$$

At certain input/output voltage and switching frequency, the voltage ripple can be reduced by increasing the output filter LC.

The charger device has internal loop compensator. To get good loop stability, the resonant frequency of the output inductor and output capacitor should be designed between 15 kHz and 25 kHz. With 2.2- $\mu$ H inductor, the typical output capacitor value is 20  $\mu$ F. The preferred ceramic capacitor is 6 V or higher rating, X7R or X5R.

### 10.2.3 Application Performance Plots

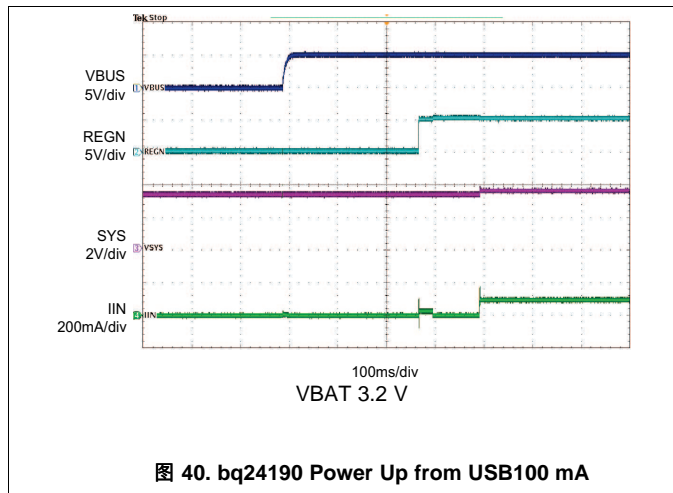


图 40. bq24190 Power Up from USB100 mA

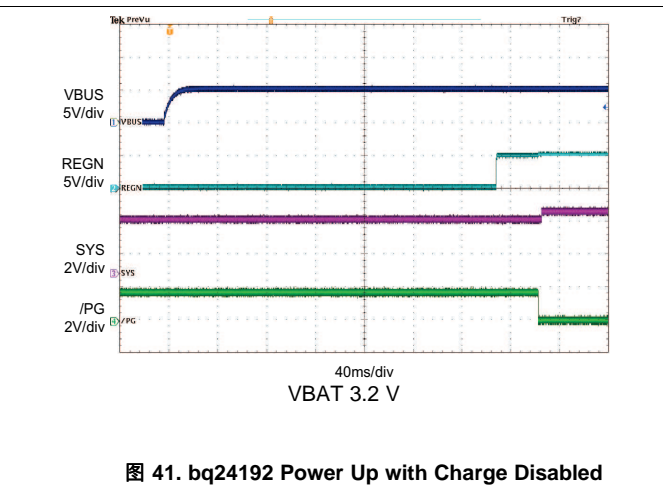


图 41. bq24192 Power Up with Charge Disabled

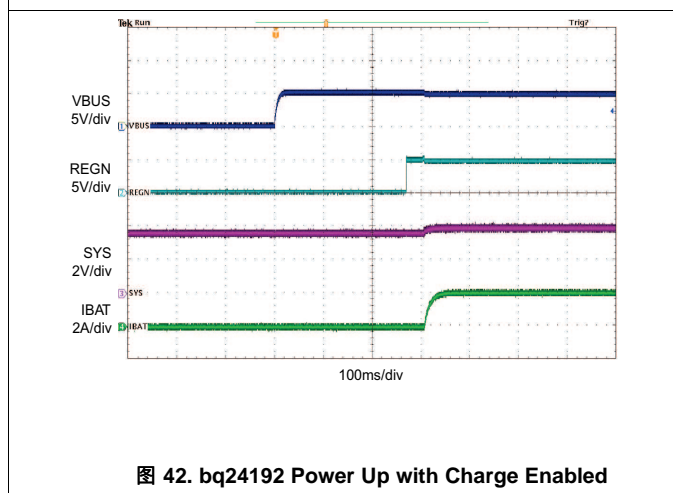


图 42. bq24192 Power Up with Charge Enabled

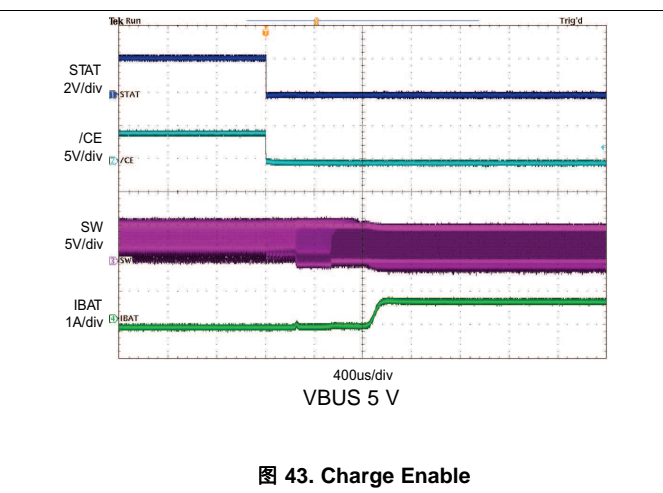


图 43. Charge Enable

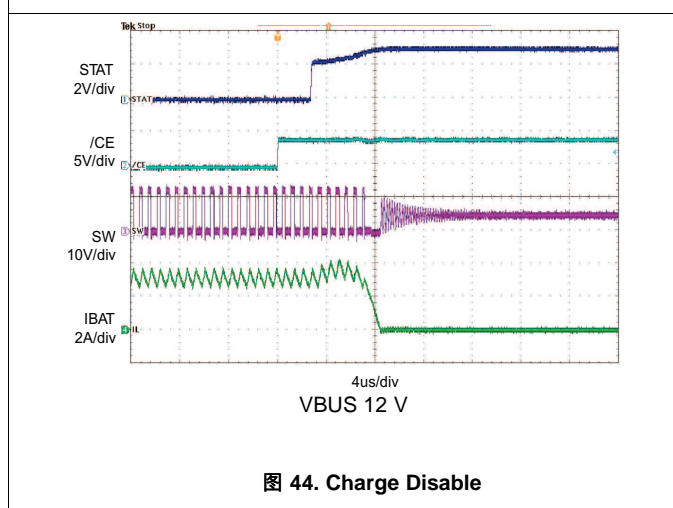


图 44. Charge Disable

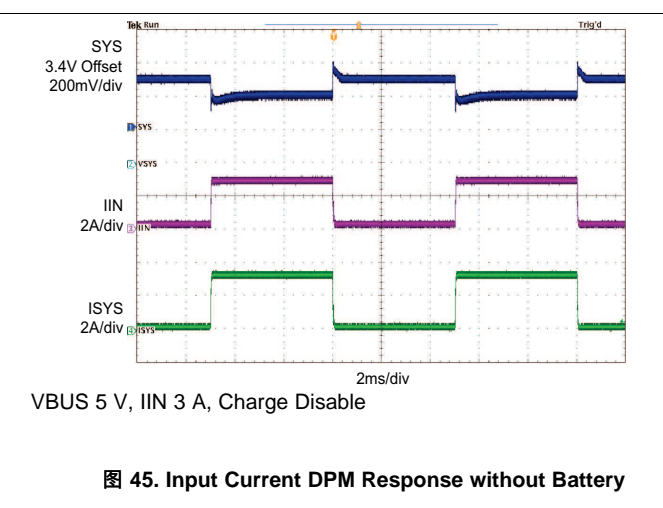


图 45. Input Current DPM Response without Battery

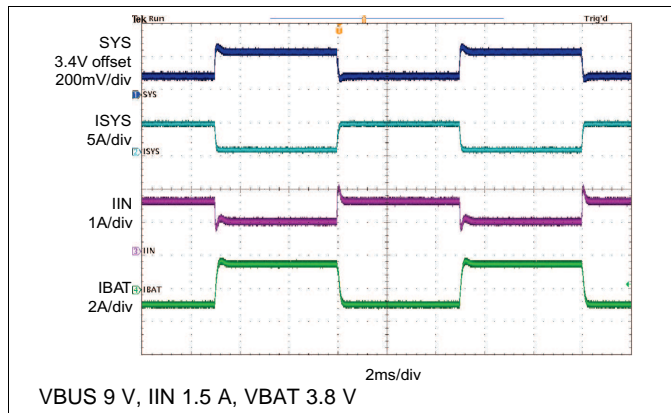


图 46. Load Transient During Supplement Mode

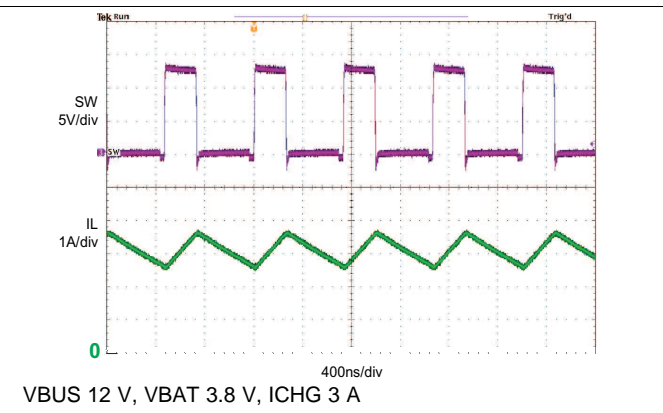


图 47. PWM Switching Waveform

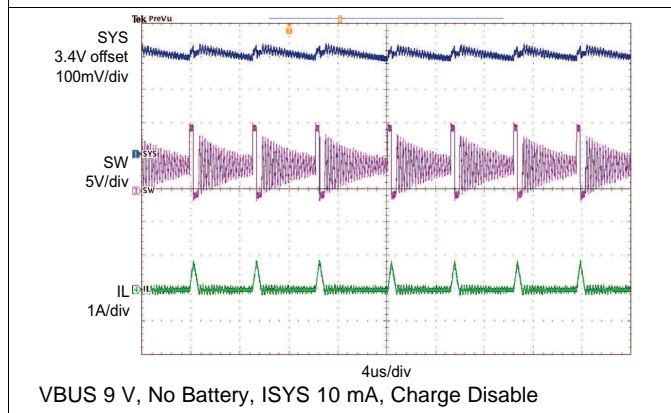


图 48. PFM Switching Waveform

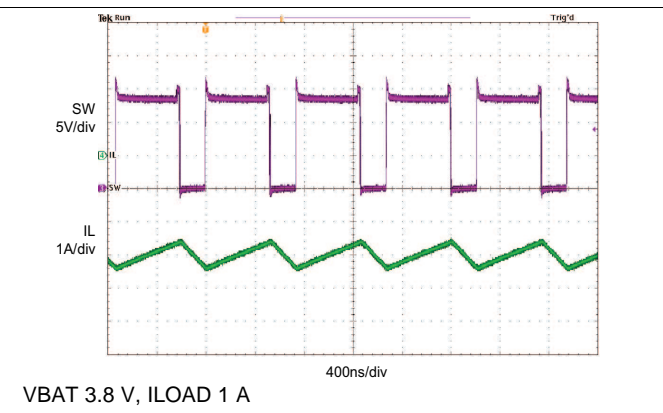


图 49. Boost Mode Switching Waveform

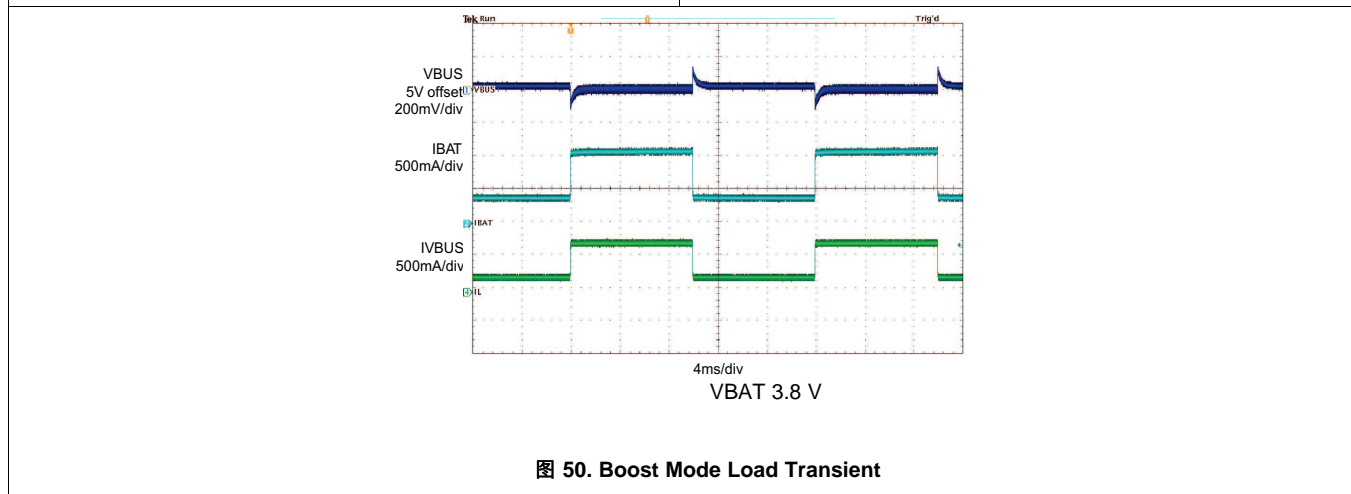


图 50. Boost Mode Load Transient



## 11 Power Supply Recommendations

In order to provide an output voltage on SYS, the bq2419x require a power supply between 3.9 V and 17 V input with at least 100 mA current rating connected to VBUS; or, a single-cell Li-Ion battery with voltage  $> V_{BATUVLO}$  connected to BAT. The source current rating needs to be at least 3 A in order for the buck converter of the charger to provide maximum output power to SYS.

## 12 Layout

### 12.1 Layout Guidelines

The switching node rise and fall times should be minimized for minimum switching loss. Proper layout of the components to minimize high frequency current path loop (see [图 51](#)) is important to prevent electrical and magnetic field radiation and high frequency resonant problems. Here is a PCB layout priority list for proper layout. Layout PCB according to this specific order is essential.

1. Place input capacitor as close as possible to PMID pin and GND pin connections and use shortest copper trace connection or GND plane.
2. Place inductor input terminal to SW pin as close as possible. Minimize the copper area of this trace to lower electrical and magnetic field radiation but make the trace wide enough to carry the charging current. Do not use multiple layers in parallel for this connection. Minimize parasitic capacitance from this area to any other trace or plane.
3. Put output capacitor near to the inductor and the IC. Ground connections need to be tied to the IC ground with a short copper trace connection or GND plane.
4. Route analog ground separately from power ground. Connect analog ground and connect power ground separately. Connect analog ground and power ground together using power pad as the single ground connection point. Or using a 0-Ω resistor to tie analog ground to power ground.
5. Use single ground connection to tie charger power ground to charger analog ground. Just beneath the IC. Use ground copper pour but avoid power pins to reduce inductive and capacitive noise coupling.
6. Decoupling capacitors should be placed next to the IC pins and make trace connection as short as possible.
7. It is critical that the exposed power pad on the backside of the IC package be soldered to the PCB ground. Ensure that there are sufficient thermal vias directly under the IC, connecting to the ground plane on the other layers.
8. The via size and number should be enough for a given current path.

See the EVM design for the recommended component placement with trace and via locations. For the VQFN information, refer to [SCBA017](#) and [SLUA271](#).

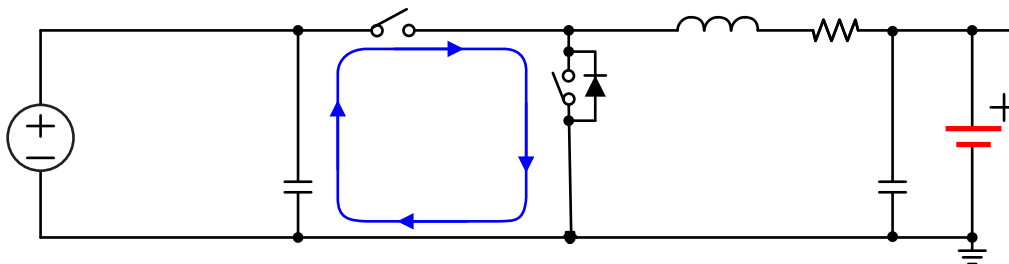


图 51. High Frequency Current Path

## 12.2 Layout Example

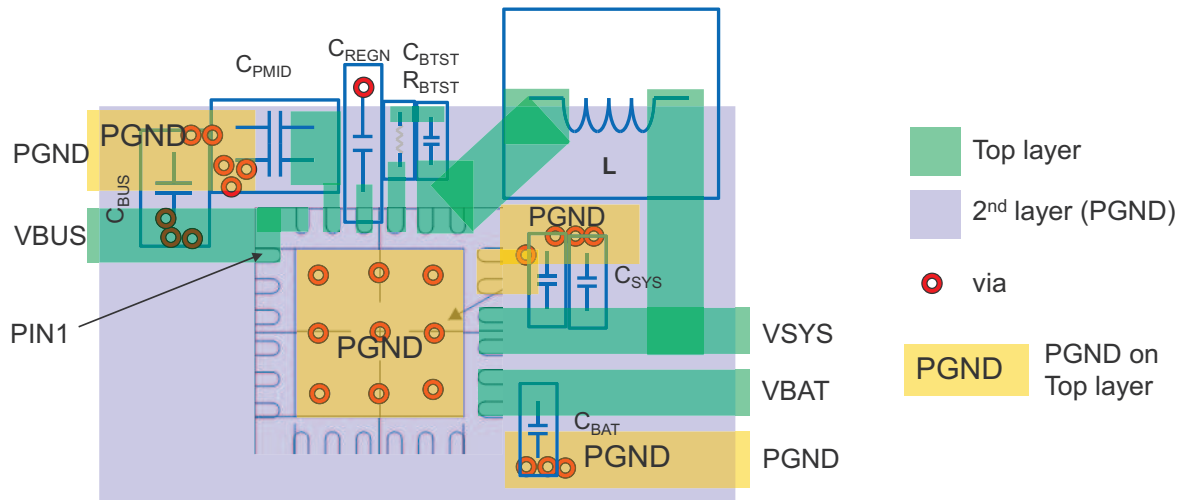


图 52. Layout Example Diagram

## 13 器件和文档支持

### 13.1 文档支持

#### 13.1.1 相关文档

《bq2419x EVM (PWR021) 用户指南》(文献编号: [SLUUA14](#))

《四方扁平无引线逻辑器件封装应用报告》([SCBA017](#))

《QFN/SON PCB 连接应用报告》([SLUA271](#))

### 13.2 相关链接

以下表格列出了快速访问链接。范围包括技术文档、支持与社区资源、工具和软件，并且可以快速访问样片或购买链接。

表 20. 相关链接

| 器件       | 产品文件夹                 | 样片与购买                 | 技术文档                  | 工具与软件                 | 支持与社区                 |
|----------|-----------------------|-----------------------|-----------------------|-----------------------|-----------------------|
| bq24190  | <a href="#">请单击此处</a> | <a href="#">请单击此处</a> | <a href="#">请单击此处</a> | <a href="#">请单击此处</a> | <a href="#">请单击此处</a> |
| bq24192  | <a href="#">请单击此处</a> | <a href="#">请单击此处</a> | <a href="#">请单击此处</a> | <a href="#">请单击此处</a> | <a href="#">请单击此处</a> |
| bq24192I | <a href="#">请单击此处</a> | <a href="#">请单击此处</a> | <a href="#">请单击此处</a> | <a href="#">请单击此处</a> | <a href="#">请单击此处</a> |

### 13.3 商标

All trademarks are the property of their respective owners.

### 13.4 静电放电警告



这些装置包含有限的内置 ESD 保护。存储或装卸时，应将导线一起截短或将装置放置于导电泡棉中，以防止 MOS 门极遭受静电损伤。

### 13.5 术语表

[SLYZ022](#) — TI 术语表。

这份术语表列出并解释术语、首字母缩略词和定义。

## 14 机械、封装和可订购信息

以下页中包括机械、封装和可订购信息。这些信息是针对指定器件可提供的最新数据。这些数据会在无通知且不对本文档进行修订的情况下发生改变。欲获得该数据表的浏览器版本，请查阅左侧的导航栏。

**PACKAGING INFORMATION**

| Orderable part number        | Status (1) | Material type (2) | Package   Pins  | Package qty   Carrier | RoHS (3) | Lead finish/<br>Ball material (4) | MSL rating/<br>Peak reflow (5) | Op temp (°C) | Part marking (6) |
|------------------------------|------------|-------------------|-----------------|-----------------------|----------|-----------------------------------|--------------------------------|--------------|------------------|
| <a href="#">BQ24190RGER</a>  | Active     | Production        | VQFN (RGE)   24 | 3000   LARGE T&R      | Yes      | NIPDAU   NIPDAU                   | Level-2-260C-1 YEAR            | -40 to 85    | BQ24190          |
| <a href="#">BQ24190RGET</a>  | Active     | Production        | VQFN (RGE)   24 | 250   SMALL T&R       | Yes      | NIPDAU   NIPDAU                   | Level-2-260C-1 YEAR            | -40 to 85    | BQ24190          |
| <a href="#">BQ24192IRGER</a> | Active     | Production        | VQFN (RGE)   24 | 3000   LARGE T&R      | Yes      | NIPDAU   NIPDAU                   | Level-1-260C-UNLIM             | -40 to 85    | BQ<br>24192I     |
| <a href="#">BQ24192IRGET</a> | Active     | Production        | VQFN (RGE)   24 | 250   SMALL T&R       | Yes      | NIPDAU   NIPDAU                   | Level-2-260C-1 YEAR            | -40 to 85    | BQ<br>24192I     |
| <a href="#">BQ24192RGER</a>  | Active     | Production        | VQFN (RGE)   24 | 3000   LARGE T&R      | Yes      | NIPDAU   NIPDAU                   | Level-2-260C-1 YEAR            | -40 to 85    | BQ24192          |
| <a href="#">BQ24192RGET</a>  | Active     | Production        | VQFN (RGE)   24 | 250   SMALL T&R       | Yes      | NIPDAU   NIPDAU                   | Level-2-260C-1 YEAR            | -40 to 85    | BQ24192          |

(1) **Status:** For more details on status, see our [product life cycle](#).

(2) **Material type:** When designated, preproduction parts are prototypes/experimental devices, and are not yet approved or released for full production. Testing and final process, including without limitation quality assurance, reliability performance testing, and/or process qualification, may not yet be complete, and this item is subject to further changes or possible discontinuation. If available for ordering, purchases will be subject to an additional waiver at checkout, and are intended for early internal evaluation purposes only. These items are sold without warranties of any kind.

(3) **RoHS values:** Yes, No, RoHS Exempt. See the [TI RoHS Statement](#) for additional information and value definition.

(4) **Lead finish/Ball material:** Parts may have multiple material finish options. Finish options are separated by a vertical ruled line. Lead finish/Ball material values may wrap to two lines if the finish value exceeds the maximum column width.

(5) **MSL rating/Peak reflow:** The moisture sensitivity level ratings and peak solder (reflow) temperatures. In the event that a part has multiple moisture sensitivity ratings, only the lowest level per JEDEC standards is shown. Refer to the shipping label for the actual reflow temperature that will be used to mount the part to the printed circuit board.

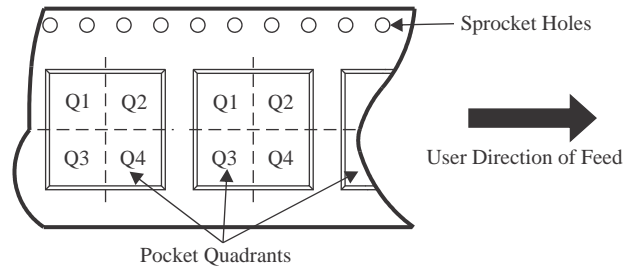
(6) **Part marking:** There may be an additional marking, which relates to the logo, the lot trace code information, or the environmental category of the part.

Multiple part markings will be inside parentheses. Only one part marking contained in parentheses and separated by a "~" will appear on a part. If a line is indented then it is a continuation of the previous line and the two combined represent the entire part marking for that device.

**Important Information and Disclaimer:** The information provided on this page represents TI's knowledge and belief as of the date that it is provided. TI bases its knowledge and belief on information provided by third parties, and makes no representation or warranty as to the accuracy of such information. Efforts are underway to better integrate information from third parties. TI has taken and continues to take reasonable steps to provide representative and accurate information but may not have conducted destructive testing or chemical analysis on incoming materials and chemicals. TI and TI suppliers consider certain information to be proprietary, and thus CAS numbers and other limited information may not be available for release.

In no event shall TI's liability arising out of such information exceed the total purchase price of the TI part(s) at issue in this document sold by TI to Customer on an annual basis.

**TAPE AND REEL INFORMATION**

**QUADRANT ASSIGNMENTS FOR PIN 1 ORIENTATION IN TAPE**


\*All dimensions are nominal

| Device       | Package Type | Package Drawing | Pins | SPQ  | Reel Diameter (mm) | Reel Width W1 (mm) | A0 (mm) | B0 (mm) | K0 (mm) | P1 (mm) | W (mm) | Pin1 Quadrant |
|--------------|--------------|-----------------|------|------|--------------------|--------------------|---------|---------|---------|---------|--------|---------------|
| BQ24190RGER  | VQFN         | RGE             | 24   | 3000 | 330.0              | 12.4               | 4.25    | 4.25    | 1.15    | 8.0     | 12.0   | Q2            |
| BQ24190RGET  | VQFN         | RGE             | 24   | 250  | 180.0              | 12.4               | 4.25    | 4.25    | 1.15    | 8.0     | 12.0   | Q2            |
| BQ24192IRGER | VQFN         | RGE             | 24   | 3000 | 330.0              | 12.4               | 4.25    | 4.25    | 1.15    | 8.0     | 12.0   | Q2            |
| BQ24192IRGET | VQFN         | RGE             | 24   | 250  | 180.0              | 12.4               | 4.25    | 4.25    | 1.15    | 8.0     | 12.0   | Q2            |
| BQ24192RGER  | VQFN         | RGE             | 24   | 3000 | 330.0              | 12.4               | 4.25    | 4.25    | 1.15    | 8.0     | 12.0   | Q2            |
| BQ24192RGET  | VQFN         | RGE             | 24   | 250  | 180.0              | 12.4               | 4.25    | 4.25    | 1.15    | 8.0     | 12.0   | Q2            |

**TAPE AND REEL BOX DIMENSIONS**


\*All dimensions are nominal

| Device       | Package Type | Package Drawing | Pins | SPQ  | Length (mm) | Width (mm) | Height (mm) |
|--------------|--------------|-----------------|------|------|-------------|------------|-------------|
| BQ24190RGER  | VQFN         | RGE             | 24   | 3000 | 346.0       | 346.0      | 33.0        |
| BQ24190RGET  | VQFN         | RGE             | 24   | 250  | 210.0       | 185.0      | 35.0        |
| BQ24192IRGER | VQFN         | RGE             | 24   | 3000 | 346.0       | 346.0      | 33.0        |
| BQ24192IRGET | VQFN         | RGE             | 24   | 250  | 210.0       | 185.0      | 35.0        |
| BQ24192RGER  | VQFN         | RGE             | 24   | 3000 | 346.0       | 346.0      | 33.0        |
| BQ24192RGET  | VQFN         | RGE             | 24   | 250  | 210.0       | 185.0      | 35.0        |

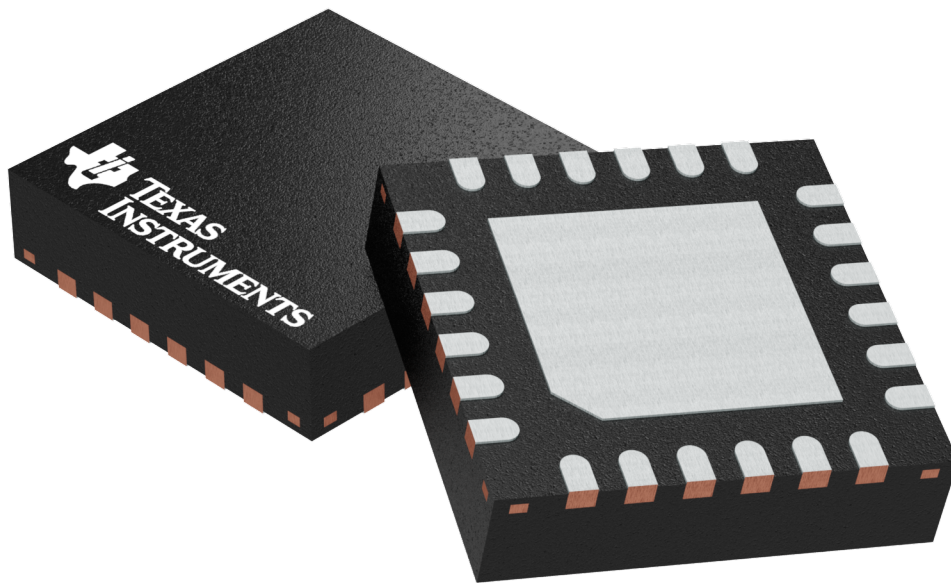


**RGE 24**

**GENERIC PACKAGE VIEW**

**VQFN - 1 mm max height**

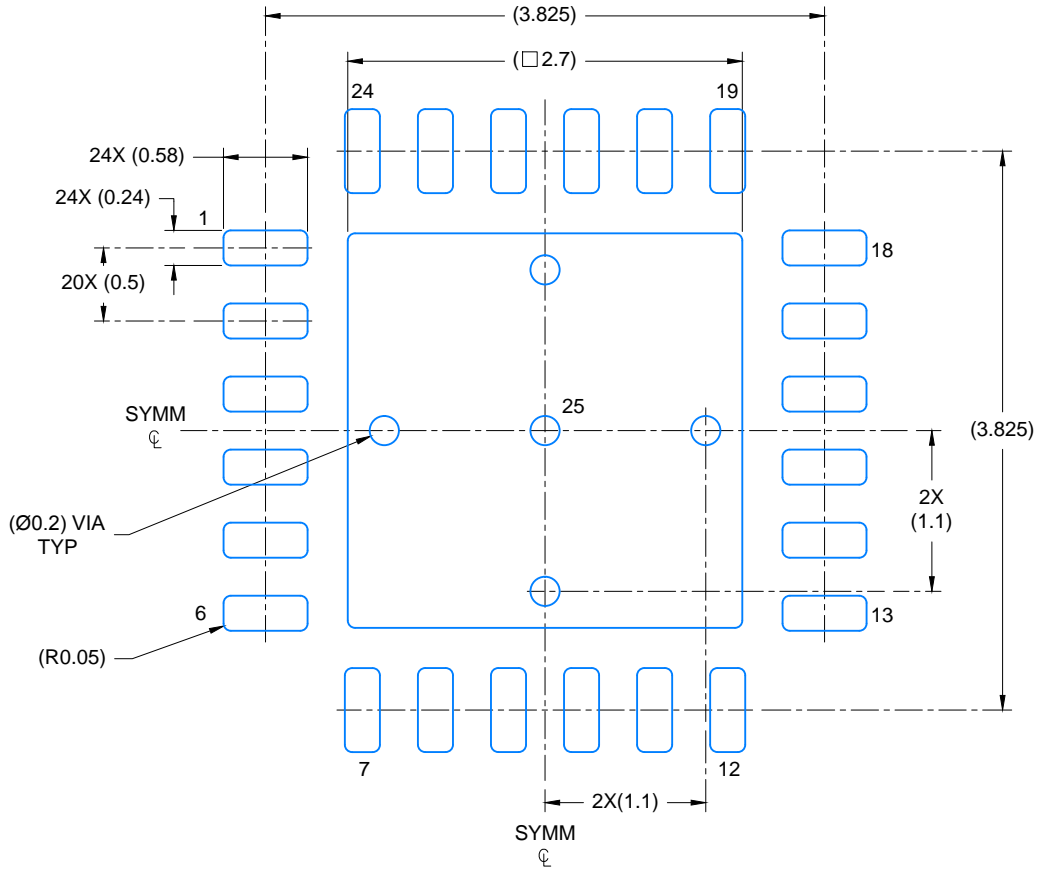
PLASTIC QUAD FLATPACK - NO LEAD



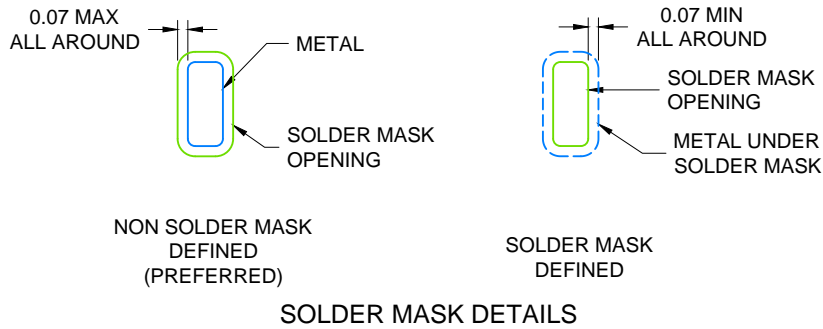
Images above are just a representation of the package family, actual package may vary.  
Refer to the product data sheet for package details.

4204104/H





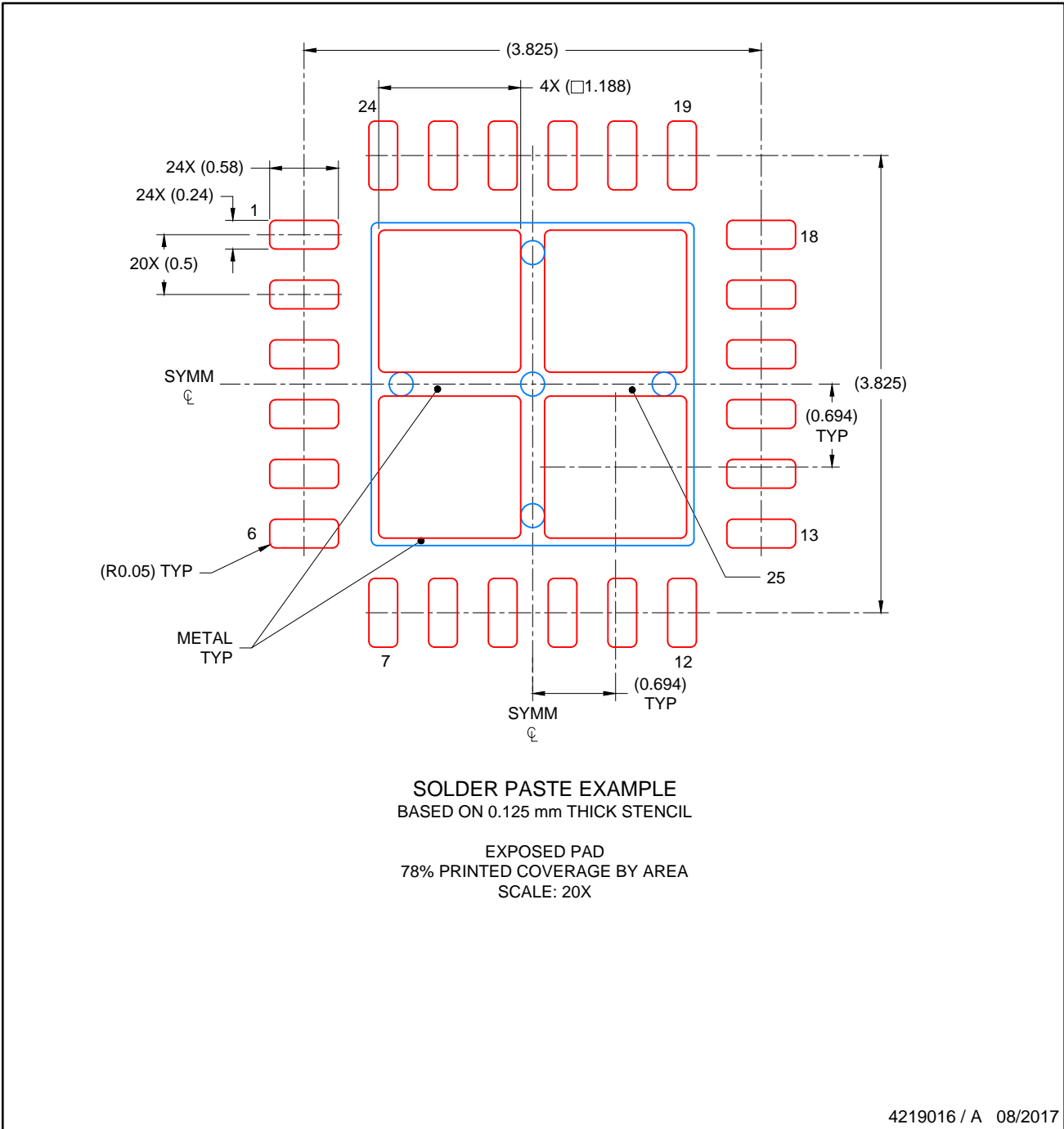
LAND PATTERN EXAMPLE  
SCALE: 20X



4219016 / A 08/2017

NOTES: (continued)

4. This package is designed to be soldered to a thermal pad on the board. For more information, see Texas Instruments literature number SLUA271 ([www.ti.com/lit/slua271](http://www.ti.com/lit/slua271)).
5. Solder mask tolerances between and around signal pads can vary based on board fabrication site.



4219016 / A 08/2017

NOTES: (continued)

6. Laser cutting apertures with trapezoidal walls and rounded corners may offer better paste release. IPC-7525 may have alternate design recommendations..

## 重要通知和免责声明

TI“按原样”提供技术和可靠性数据（包括数据表）、设计资源（包括参考设计）、应用或其他设计建议、网络工具、安全信息和其他资源，不保证没有瑕疵且不做任何明示或暗示的担保，包括但不限于对适销性、某特定用途方面的适用性或不侵犯任何第三方知识产权的暗示担保。

这些资源可供使用 TI 产品进行设计的熟练开发人员使用。您将自行承担以下全部责任：(1) 针对您的应用选择合适的 TI 产品，(2) 设计、验证并测试您的应用，(3) 确保您的应用满足相应标准以及任何其他功能安全、信息安全、监管或其他要求。

这些资源如有变更，恕不另行通知。TI 授权您仅可将这些资源用于研发本资源所述的 TI 产品的相关应用。严禁以其他方式对这些资源进行复制或展示。您无权使用任何其他 TI 知识产权或任何第三方知识产权。您应全额赔偿因在这些资源的使用中对 TI 及其代表造成的任何索赔、损害、成本、损失和债务，TI 对此概不负责。

TI 提供的产品受 [TI 的销售条款](#) 或 [ti.com](#) 上其他适用条款/TI 产品随附的其他适用条款的约束。TI 提供这些资源并不会扩展或以其他方式更改 TI 针对 TI 产品发布的适用的担保或担保免责声明。

TI 反对并拒绝您可能提出的任何其他或不同的条款。

邮寄地址：Texas Instruments, Post Office Box 655303, Dallas, Texas 75265  
版权所有 © 2025，德州仪器 (TI) 公司