

## AFE7952 四通道射频收发器

### 1 特性

- 四通道射频采样 12 GSPS 发送 DAC
- 四通道射频采样 3 GSPS 接收 ADC
- 双通道射频采样 3GSPS 反馈 ADC
- 最大射频信号带宽：
  - TX：2TX 为 2400MHz，4TX 为 1200MHz
  - FB：1200 MHz
  - RX：1200MHz (无 FB)；600MHz (带 FB)
- 射频频率范围：高达 12GHz
- 数字步进衰减器 (DSA)：
  - TX：40dB 范围、1dB 模拟和 0.125dB 数字步进
  - RX：25 dB 范围，0.5 dB 步进
- 用于 TX 和 RX 的双频带 DUC/DDC
- 用于快速频率开关的双通道 NCO
- 通过在 TX 和 RX 之间快速切换来支持 TDD 操作
- 用于生成 DAC/ADC 时钟的内部 PLL/VCO
- DAC 或 ADC 速率下的可选外部 CLK
- 串行器/解串器数据接口：
  - 符合 JESD204B 和 JESD204C 标准
  - 8 个高达 29.5Gbps 的串行器/解串器收发器
  - 8b/10b 和 64b/66b 编码
  - 12 位、16 位、24 位和 32 位分辨率
  - 子类 1 多器件同步
- 封装：17mm × 17mm FCBGA，间距 0.8 mm

### 2 应用

- [宏远程无线电单元 \(RRU\)](#)
- [有源天线系统 mMIMO \(AAS\)](#)
- [小型蜂窝基站](#)
- [中继器](#)
- [5G 毫米波无线电](#)
- [分布式天线系统 \(DAS\)](#)

### 3 说明

高性能、宽带宽、多通道收发器，集成了四个射频采样发送器链四个射频采样接收器链和两个射频采样数字化辅助链（反馈路径）。发送器链和接收器链的高动态范围使器件能够从无线基站生成和接收 3G、4G 和 5G 信号，而的宽带宽功能专为多频带 4G 和 5G 基站而设计。

每个接收器链均包含一个 25dB 范围的数字步进衰减器 (DSA)，后跟一个 3GSPS 模数转换器 (ADC)。每个接收器通道都有一个模拟峰值功率检测器和各种数字功率检测器，用于支持外部或内部自主自动增益控制器，另外还具有射频过载检测器，用于提供器件可靠性保护。单通道或双通道数字下变频器 (DDC) 可提供高达 600MHz 的组合信号带宽（双通道 DDC 模式）或 1200MHz 的组合信号带宽（单通道 DDC 模式）。在 TDD 模式下，接收器通道经过配置可在流量接收器 (TDD RX) 和宽带反馈接收器 (TDD FB) 间动态切换，能够重复使用同一模拟输入来实现两种用途。

每个发送器链都包含一个单通道或双通道数字上变频器 (DUC)，支持高达 2400MHz（对于 2TX）或 1200MHz（对于 4TX）的组合信号带宽。DUC 的输出驱动 12GSPS DAC（数模转换器），通过混合模式输出选项增强在第二或第三奈奎斯特区域的运行。DAC 输出包括一个具有 40dB 范围以及 1dB 模拟和 0.125dB 数字步进的可选增益放大器 (TX DSA)。

反馈路径包括一个驱动 3GSPS 射频采样 ADC 的 25dB 范围 DSA，后跟一个带宽高达 1200MHz 的 DDC。

#### 封装信息<sup>(1)</sup>

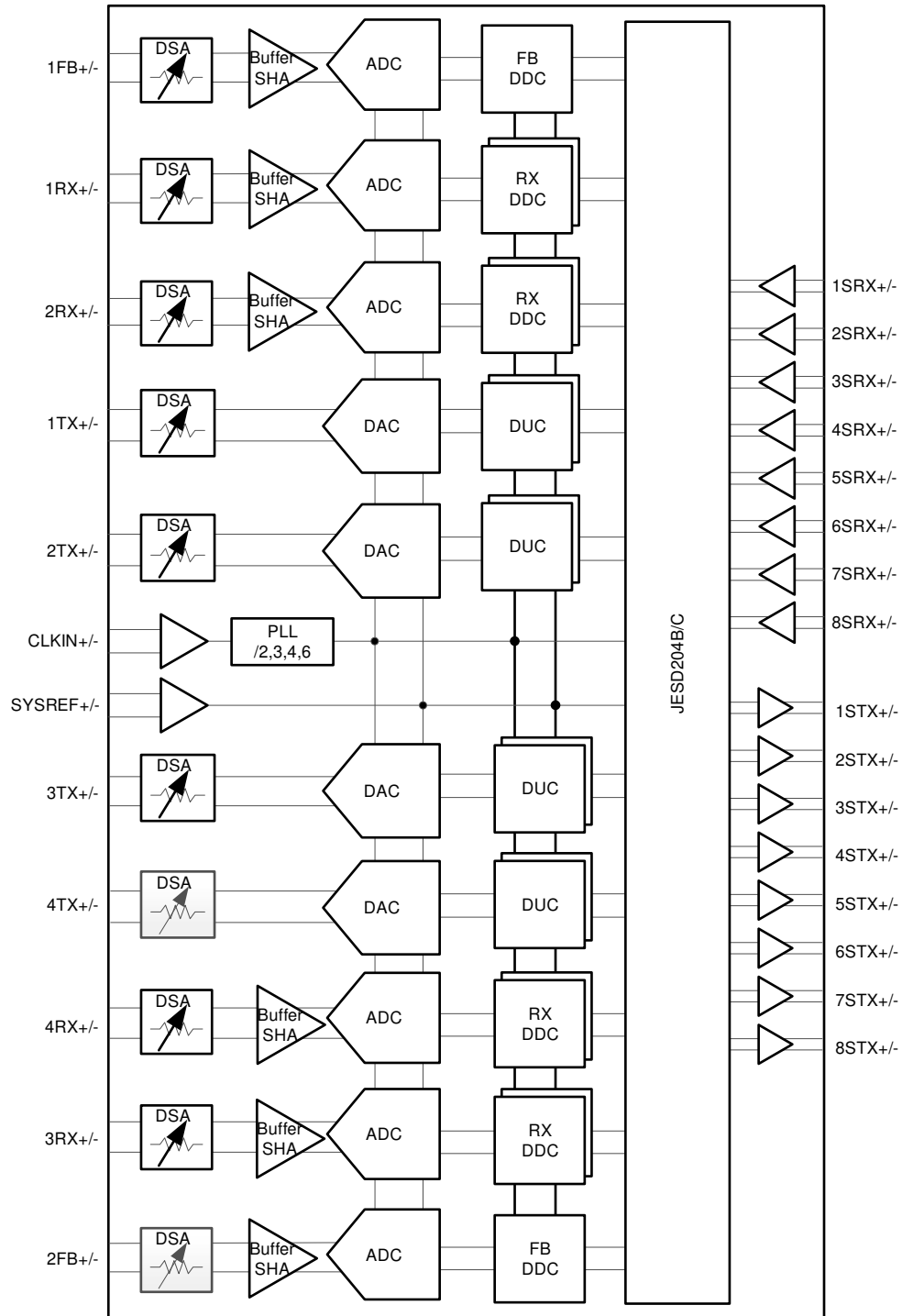
器件型号	封装	封装尺寸
AFE7952	FC BGA	17.00mm × 17.00mm

(1) 如需了解详情，请参阅 [机械、封装和可订购信息](#)。



## 4 功能方框图

### 4.1 AFE7952 Functional Block Diagram



## Table of Contents

<b>1 特性</b> ..... 1 <b>2 应用</b> ..... 1 <b>3 说明</b> ..... 1 <b>4 功能方框图</b> .....2 4.1 AFE7952 Functional Block Diagram.....2 <b>5 Revision History</b> ..... 3	<b>6 Device and Documentation Support</b> .....4 6.1 Trademarks.....4 6.2 Electrostatic Discharge Caution.....4 6.3 术语表.....4 <b>7 Mechanical, Packaging, and Orderable Information</b> ...4
---	--

## 5 Revision History

注：以前版本的页码可能与当前版本的页码不同

DATE	VERSION	NOTES
November 2022	*	Initial release.

## 6 Device and Documentation Support

### 6.1 Trademarks

所有商标均为其各自所有者的财产。

### 6.2 Electrostatic Discharge Caution



This integrated circuit can be damaged by ESD. Texas Instruments recommends that all integrated circuits be handled with appropriate precautions. Failure to observe proper handling and installation procedures can cause damage.

ESD damage can range from subtle performance degradation to complete device failure. Precision integrated circuits may be more susceptible to damage because very small parametric changes could cause the device not to meet its published specifications.

### 6.3 术语表

#### [TI 术语表](#)

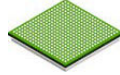
本术语表列出并解释了术语、首字母缩略词和定义。

## 7 Mechanical, Packaging, and Orderable Information

The following pages include mechanical, packaging, and orderable information. This information is the most current data available for the designated devices. This data is subject to change without notice and revision of this document. For browser-based versions of this data sheet, refer to the left-hand navigation.

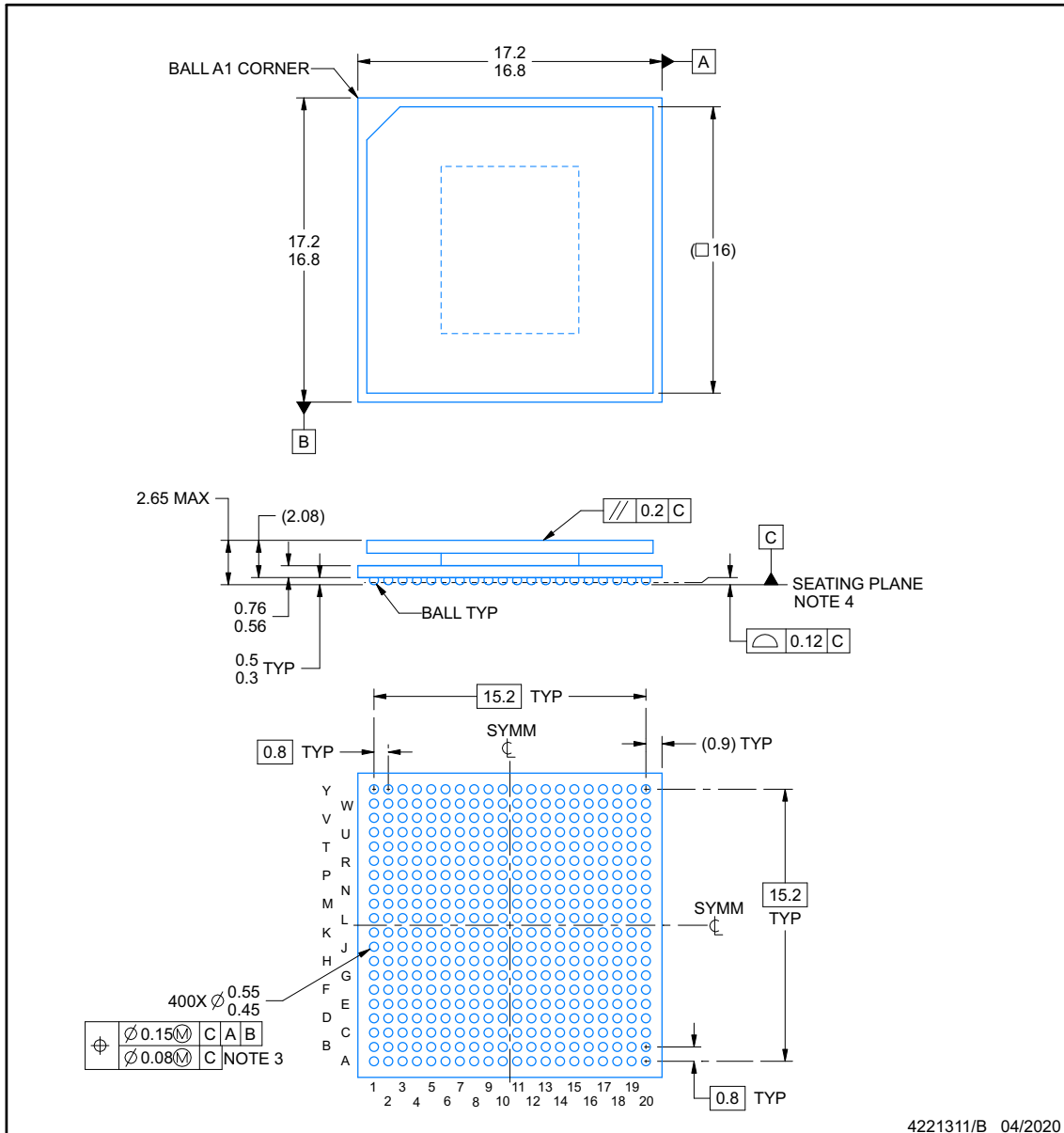
# PACKAGE OUTLINE

## ABJ0400A



## FCBGA - 2.65 mm max height

BALL GRID ARRAY



NOTES:

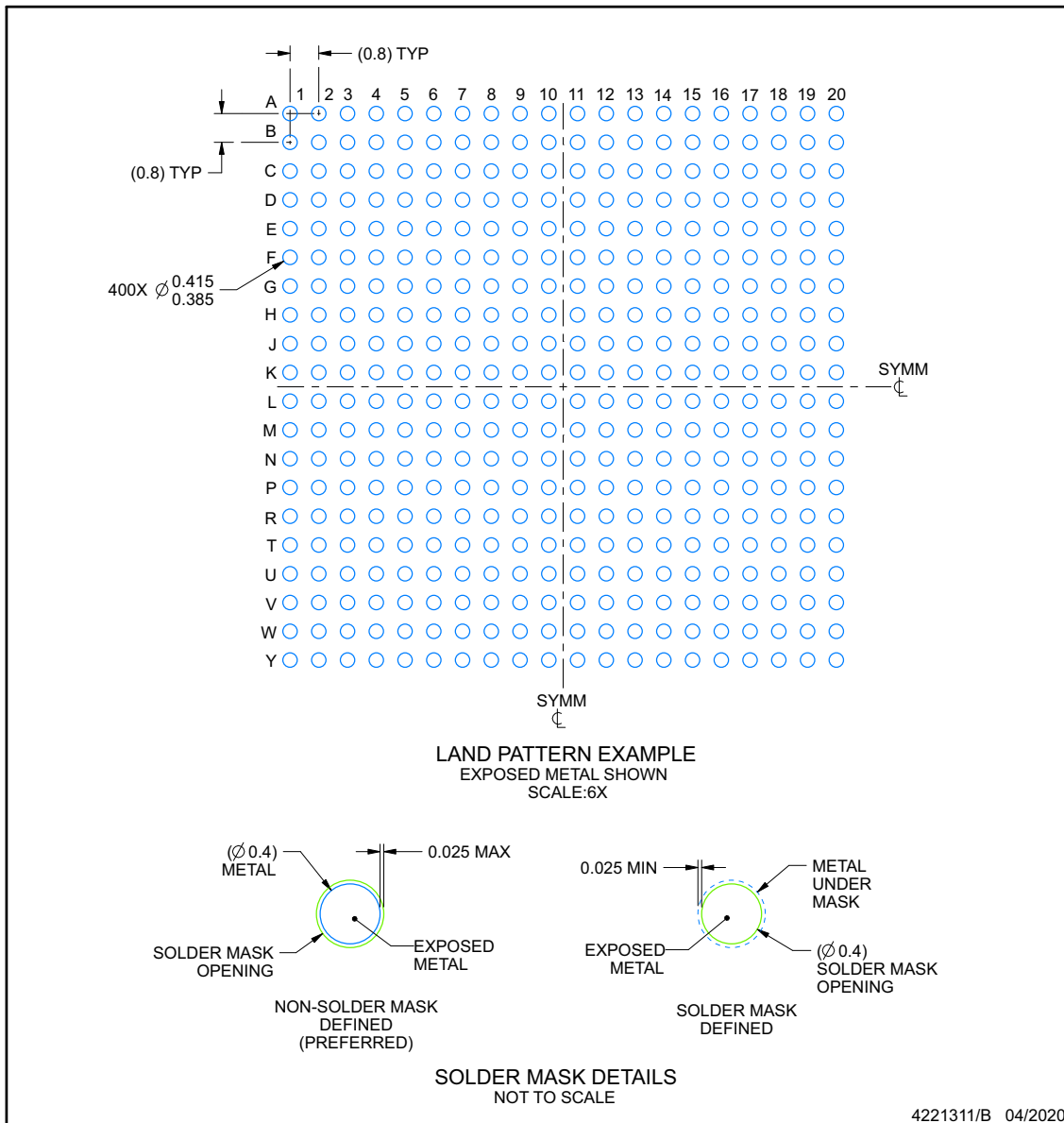
1. All linear dimensions are in millimeters. Any dimensions in parenthesis are for reference only. Dimensioning and tolerancing per ASME Y14.5M.
2. This drawing is subject to change without notice.
3. Dimension is measured at the maximum solder ball diameter, parallel to primary datum C.
4. Primary datum C and seating plane are defined by the spherical crowns of the solder balls.

## EXAMPLE BOARD LAYOUT

### ABJ0400A

FCBGA - 2.65 mm max height

BALL GRID ARRAY



NOTES: (continued)

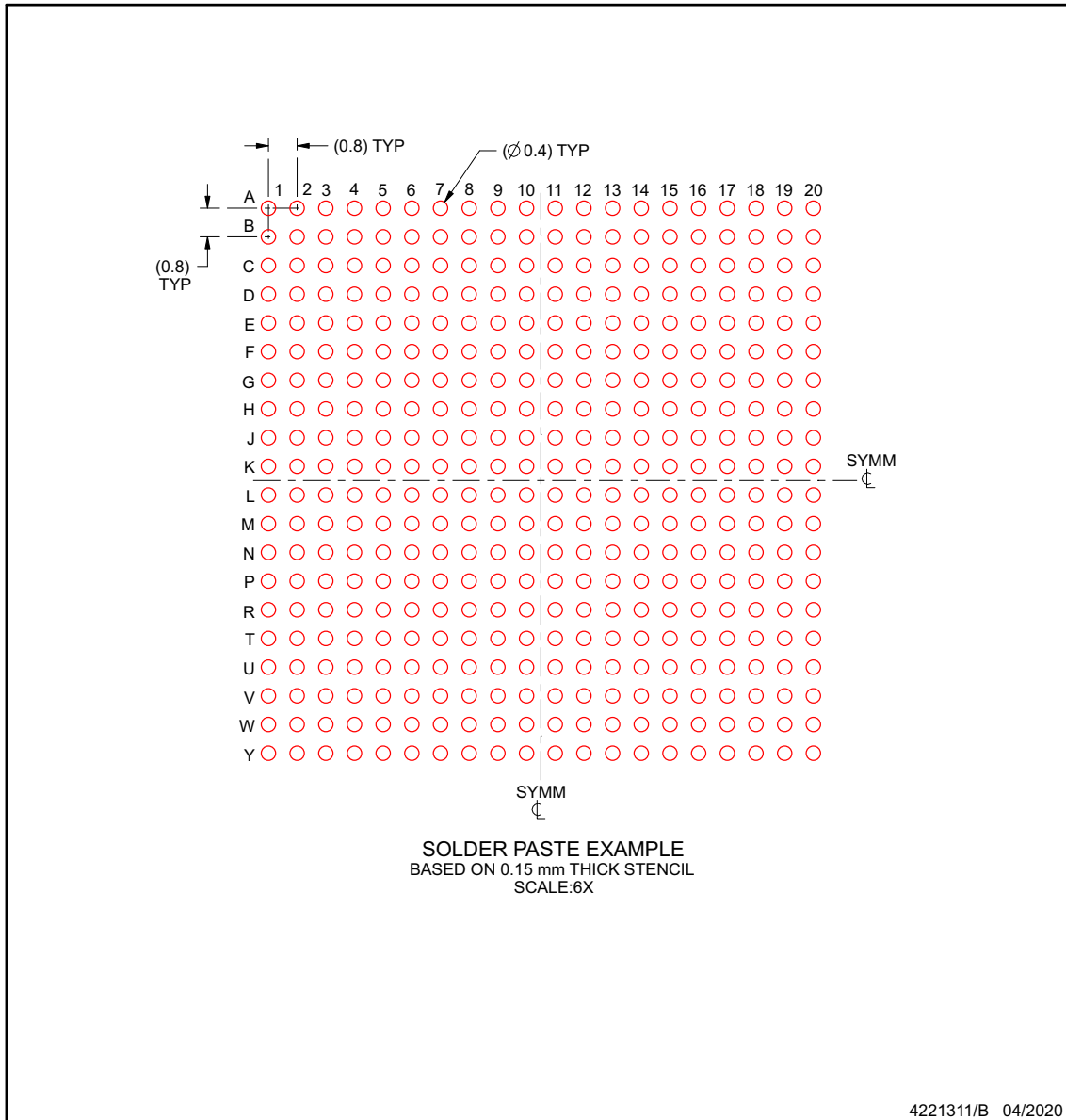
- Final dimensions may vary due to manufacturing tolerance considerations and also routing constraints. For more information, see Texas Instruments literature number SPRU811 ([www.ti.com/lit/spru811](http://www.ti.com/lit/spru811)).

## EXAMPLE STENCIL DESIGN

**ABJ0400A**

**FCBGA - 2.65 mm max height**

BALL GRID ARRAY



NOTES: (continued)

6. Laser cutting apertures with trapezoidal walls and rounded corners may offer better paste release.

**PACKAGING INFORMATION**

Orderable Device	Status (1)	Package Type	Package Drawing	Pins	Package Qty	Eco Plan (2)	Lead finish/ Ball material (6)	MSL Peak Temp (3)	Op Temp (°C)	Device Marking (4/5)	Samples
AFE7952IABJ	ACTIVE	FCBGA	ABJ	400	90	RoHS & Green	SNAGCU	Level-3-260C-168 HR	-40 to 85	AFE7952I	Samples

(1) The marketing status values are defined as follows:

**ACTIVE:** Product device recommended for new designs.

**LIFEBUY:** TI has announced that the device will be discontinued, and a lifetime-buy period is in effect.

**NRND:** Not recommended for new designs. Device is in production to support existing customers, but TI does not recommend using this part in a new design.

**PREVIEW:** Device has been announced but is not in production. Samples may or may not be available.

**OBSELETE:** TI has discontinued the production of the device.

(2) **RoHS:** TI defines "RoHS" to mean semiconductor products that are compliant with the current EU RoHS requirements for all 10 RoHS substances, including the requirement that RoHS substance do not exceed 0.1% by weight in homogeneous materials. Where designed to be soldered at high temperatures, "RoHS" products are suitable for use in specified lead-free processes. TI may reference these types of products as "Pb-Free".

**RoHS Exempt:** TI defines "RoHS Exempt" to mean products that contain lead but are compliant with EU RoHS pursuant to a specific EU RoHS exemption.

**Green:** TI defines "Green" to mean the content of Chlorine (Cl) and Bromine (Br) based flame retardants meet JS709B low halogen requirements of <=1000ppm threshold. Antimony trioxide based flame retardants must also meet the <=1000ppm threshold requirement.

(3) MSL, Peak Temp. - The Moisture Sensitivity Level rating according to the JEDEC industry standard classifications, and peak solder temperature.

(4) There may be additional marking, which relates to the logo, the lot trace code information, or the environmental category on the device.

(5) Multiple Device Markings will be inside parentheses. Only one Device Marking contained in parentheses and separated by a "~" will appear on a device. If a line is indented then it is a continuation of the previous line and the two combined represent the entire Device Marking for that device.

(6) Lead finish/Ball material - Orderable Devices may have multiple material finish options. Finish options are separated by a vertical ruled line. Lead finish/Ball material values may wrap to two lines if the finish value exceeds the maximum column width.

**Important Information and Disclaimer:**The information provided on this page represents TI's knowledge and belief as of the date that it is provided. TI bases its knowledge and belief on information provided by third parties, and makes no representation or warranty as to the accuracy of such information. Efforts are underway to better integrate information from third parties. TI has taken and continues to take reasonable steps to provide representative and accurate information but may not have conducted destructive testing or chemical analysis on incoming materials and chemicals. TI and TI suppliers consider certain information to be proprietary, and thus CAS numbers and other limited information may not be available for release.

In no event shall TI's liability arising out of such information exceed the total purchase price of the TI part(s) at issue in this document sold by TI to Customer on an annual basis.



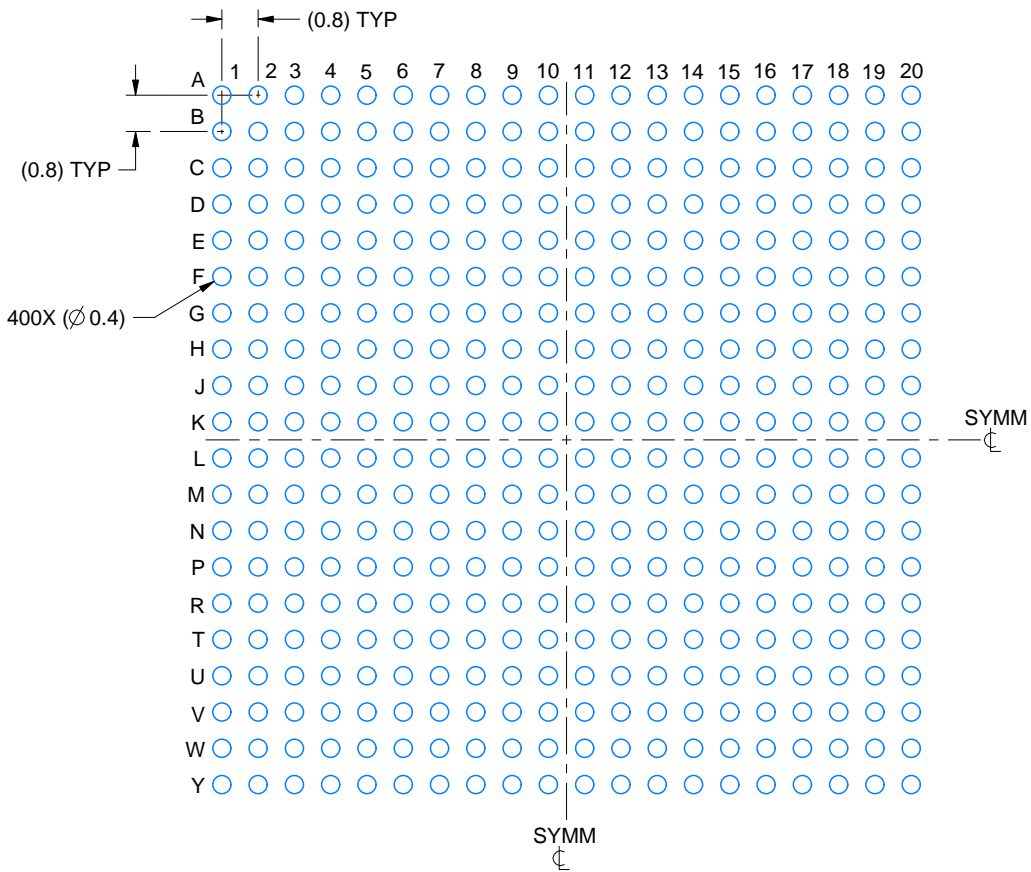


# EXAMPLE BOARD LAYOUT

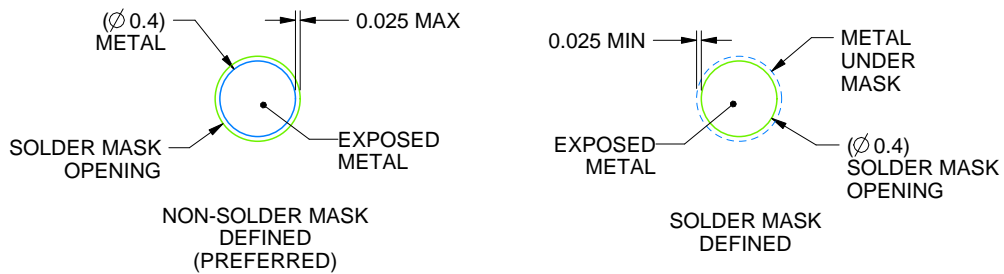
**ABJ0400A**

**FCBGA - 2.65 mm max height**

BALL GRID ARRAY



**LAND PATTERN EXAMPLE**  
EXPOSED METAL SHOWN  
SCALE:6X



**SOLDER MASK DETAILS**  
NOT TO SCALE

4221311/D 03/2023

NOTES: (continued)

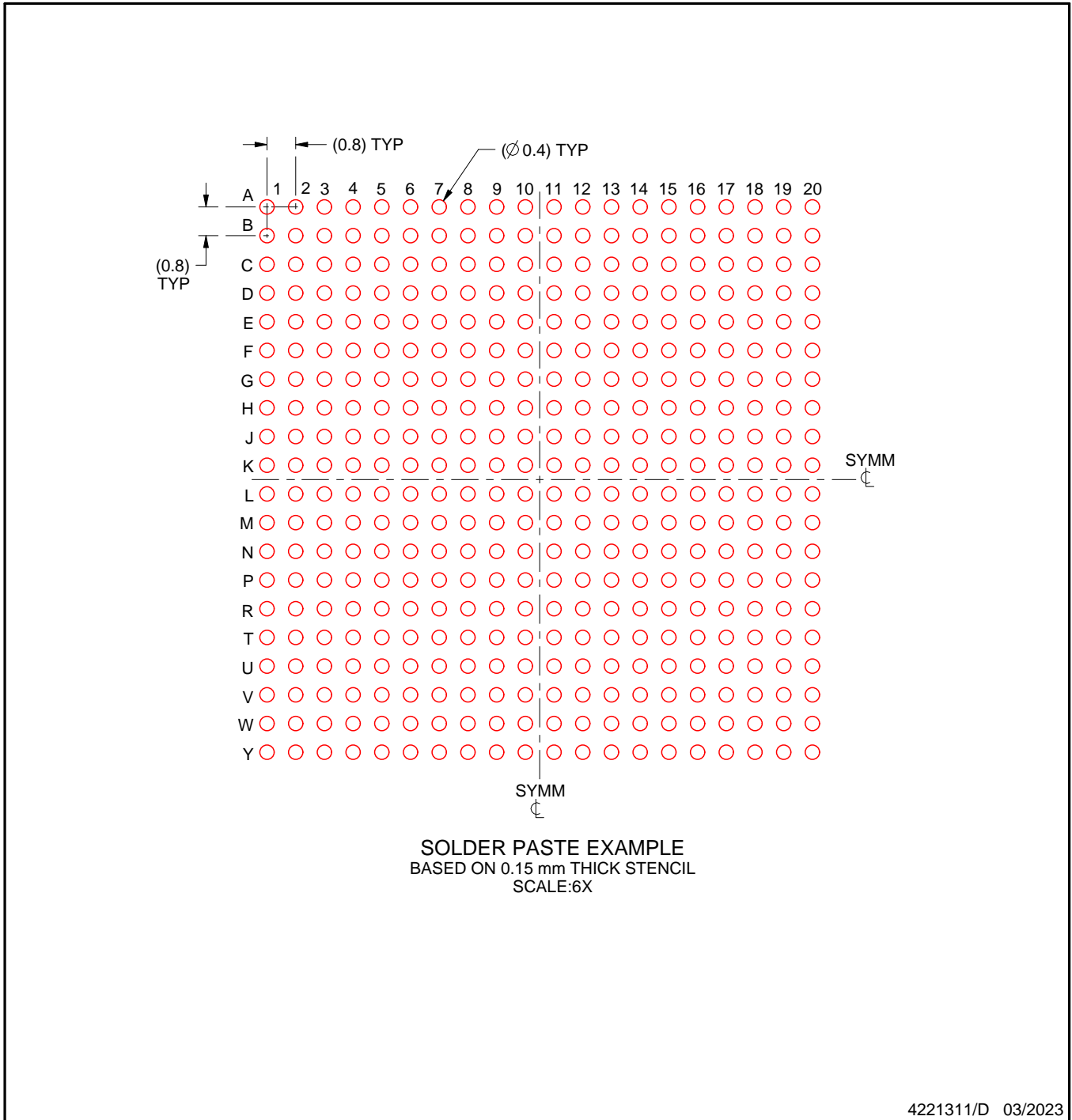
- Final dimensions may vary due to manufacturing tolerance considerations and also routing constraints. For more information, see Texas Instruments literature number SPRU811 ([www.ti.com/lit/spru811](http://www.ti.com/lit/spru811)).

# EXAMPLE STENCIL DESIGN

## ABJ0400A

### FCBGA - 2.65 mm max height

BALL GRID ARRAY



NOTES: (continued)

7. Laser cutting apertures with trapezoidal walls and rounded corners may offer better paste release.

## 重要声明和免责声明

TI“按原样”提供技术和可靠性数据（包括数据表）、设计资源（包括参考设计）、应用或其他设计建议、网络工具、安全信息和其他资源，不保证没有瑕疵且不做任何明示或暗示的担保，包括但不限于对适销性、某特定用途方面的适用性或不侵犯任何第三方知识产权的暗示担保。

这些资源可供使用 TI 产品进行设计的熟练开发人员使用。您将自行承担以下全部责任：(1) 针对您的应用选择合适的 TI 产品，(2) 设计、验证并测试您的应用，(3) 确保您的应用满足相应标准以及任何其他功能安全、信息安全、监管或其他要求。

这些资源如有变更，恕不另行通知。TI 授权您仅可将这些资源用于研发本资源所述的 TI 产品的应用。严禁对这些资源进行其他复制或展示。您无权使用任何其他 TI 知识产权或任何第三方知识产权。您应全额赔偿因在这些资源的使用中对 TI 及其代表造成的任何索赔、损害、成本、损失和债务，TI 对此概不负责。

TI 提供的产品受 [TI 的销售条款](#) 或 [ti.com](#) 上其他适用条款/TI 产品随附的其他适用条款的约束。TI 提供这些资源并不会扩展或以其他方式更改 TI 针对 TI 产品发布的适用的担保或担保免责声明。

TI 反对并拒绝您可能提出的任何其他或不同的条款。

邮寄地址：Texas Instruments, Post Office Box 655303, Dallas, Texas 75265

Copyright © 2023，德州仪器 (TI) 公司