



# 12-Bit, 5MHz Sampling ANALOG-TO-DIGITAL CONVERTER

## FEATURES

- HIGH SFDR: 82dB at NYQUIST
- HIGH SNR: 69dB
- LOW POWER: 115mW
- LOW DLE: 0.25LSB
- FLEXIBLE INPUT RANGE
- OVER-RANGE INDICATOR

## APPLICATIONS

- IF AND BASEBAND DIGITIZATION
- CCD IMAGING SCANNERS
- TEST INSTRUMENTATION

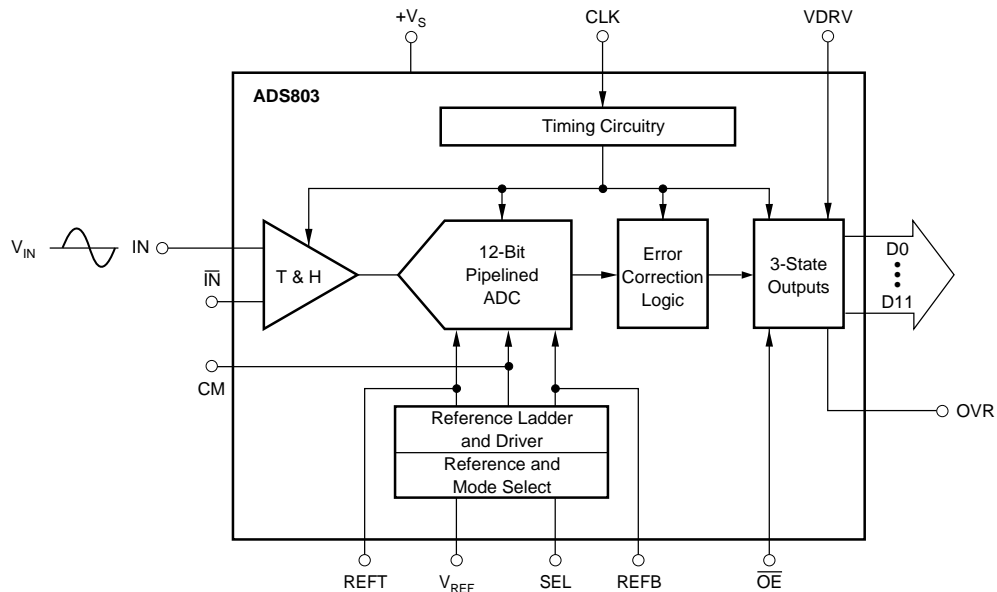
## DESCRIPTION

The ADS803 is a high-speed, high dynamic range, 12-bit pipelined Analog-to-Digital (A/D) converter. This converter includes a high-bandwidth track-and-hold that gives excellent spurious performance up to and beyond the Nyquist rate. This high-bandwidth, linear track-and-hold minimizes harmonics and has low jitter, leading to excellent SNR performance. The ADS803 is also pin-compatible with the 10MHz ADS804 and the 20MHz ADS805.

The ADS803 provides an internal reference and can be programmed for a 2Vp-p input range for the best spurious performance and ease of driving. Alternatively, the 5Vp-p input range can be used for the lowest input referred noise of

0.09LSBs rms giving superior imaging performance. There is also a capability to set the input range in between the 2Vp-p and 5Vp-p input ranges or to use an external reference. The ADS803 also provides an over-range indicator flag to indicate an input range that exceeds the full-scale input range of the converter. This flag can be used to reduce the gain of the front-end gain-ranging circuitry.

The ADS803 employs digital error-correction techniques to provide excellent differential linearity for demanding imaging applications. Its low distortion and high SNR give the extra margin needed for communications, medical imaging, video, and test instrumentation applications. The ADS803 is available in an SSOP-28 package.



Please be aware that an important notice concerning availability, standard warranty, and use in critical applications of Texas Instruments semiconductor products and disclaimers thereto appears at the end of this data sheet.

## ABSOLUTE MAXIMUM RATINGS<sup>(1)</sup>

+V <sub>S</sub> .....	+6V
Analog Input .....	(-0.3V) to (+V <sub>S</sub> +0.3V)
Logic Input .....	(-0.3V) to (+V <sub>S</sub> +0.3V)
Case Temperature .....	+100°C
Junction Temperature .....	+150°C
Storage Temperature .....	+150°C

NOTE: (1) Stresses above those listed under "Absolute Maximum Ratings" may cause permanent damage to the device. Exposure to absolute maximum conditions for extended periods may affect device reliability.



## ELECTROSTATIC DISCHARGE SENSITIVITY

This integrated circuit can be damaged by ESD. Texas Instruments recommends that all integrated circuits be handled with appropriate precautions. Failure to observe proper handling and installation procedures can cause damage.

ESD damage can range from subtle performance degradation to complete device failure. Precision integrated circuits may be more susceptible to damage because very small parametric changes could cause the device not to meet its published specifications.

## PACKAGE/ORDERING INFORMATION

PRODUCT	PACKAGE-LEAD	PACKAGE DESIGNATOR <sup>(1)</sup>	SPECIFIED TEMPERATURE RANGE	PACKAGE MARKING	ORDERING NUMBER	TRANSPORT MEDIA, QUANTITY
ADS803E	SSOP-28	DB	-40°C to +85°C	ADS803E	ADS803E	Rails, 48
"	"	"	"	"	ADS803E/1K	Tape and Reel, 1000

NOTE: (1) For the most current specifications and package information, refer to our web site at [www.ti.com](http://www.ti.com).

## ELECTRICAL CHARACTERISTICS

At T<sub>A</sub> = full specified temperature range, V<sub>S</sub> = +5V, specified input range = 1.5V to 3.5V, single-ended input and sampling rate = 5MHz, unless otherwise specified.

PARAMETER	CONDITIONS	ADS803E			UNITS
		MIN	TYP	MAX	
RESOLUTION			12 Tested		Bits
SPECIFIED TEMPERATURE RANGE		-40		+85	°C
<b>CONVERSION CHARACTERISTICS</b>					
Sample Rate		10k		5M	Samples/s
Data Latency			6		Clk Cycles
<b>ANALOG INPUT</b>					
Single-Ended Input Range		1.5		3.5	V
Standard Optional Single-Ended Input Range		0		5	V
Common-Mode Voltage			2.5		V
Standard Optional Common-Mode Voltage			1		V
Input Capacitance			20		pF
Track-Mode Input Bandwidth	-3dBFS Input		270		MHz
<b>DYNAMIC CHARACTERISTICS</b>					
Differential Linearity Error (Largest Code Error)			±0.25	±0.75	LSB
f = 500kHz			Tested		
No Missing Codes					
Spurious-Free Dynamic Range <sup>(1)</sup>		74	82		dBFS <sup>(2)</sup>
f = 2.48MHz (-1dB input)			74		dBc
2-Tone Intermodulation Distortion <sup>(3)</sup>					
f = 1.8M and 1.9M (-7dBFS each tone)					
Signal-to-Noise Ratio (SNR)		66.5	69		dB
f = 2.48MHz (-1dB input)					
Signal-to-(Noise + Distortion) (SINAD)		65	68		dB
f = 2.48MHz (-1dB input)					
Effective Number of Bits at 2.48MHz <sup>(4)</sup>			11		Bits
Input Referred Noise	0V to 5V Input		0.09		LSBs rms
	1.5V to 3.5V Input		0.23		LSBs rms
Integral Nonlinearity Error			±1	±2	LSB
f = 500kHz					
Aperture Delay Time			1		ns
Aperture Jitter			4		ps rms
Over-Voltage Recovery Time	1.5 • FS Input		2		ns
Full-Scale Step Acquisition Time			50		ns

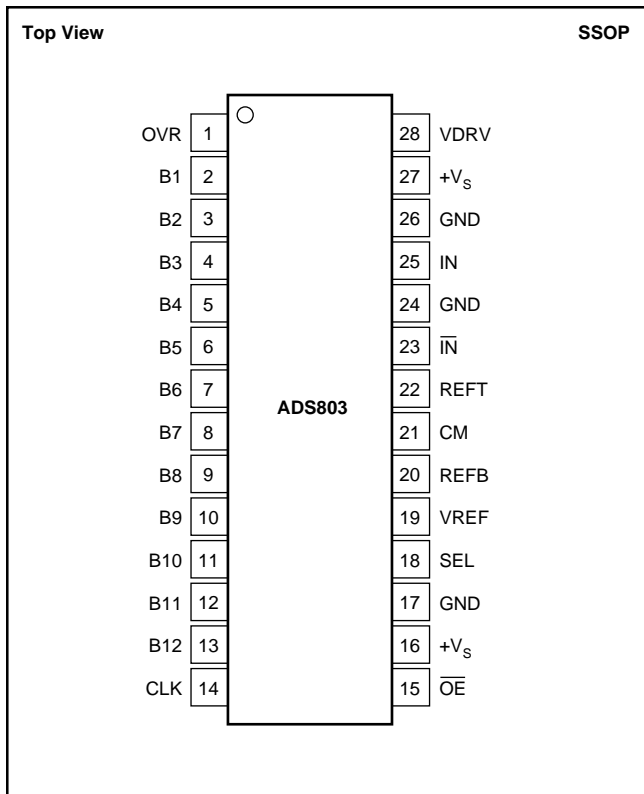
# ELECTRICAL CHARACTERISTICS (Cont.)

At  $T_A$  = full specified temperature range,  $V_S$  = +5V, specified input range = 1.5V to 3.5V, single-ended input and sampling rate = 5MHz, unless otherwise specified.

PARAMETER	CONDITIONS	ADS803E			UNITS
		MIN	TYP	MAX	
<b>DIGITAL INPUTS</b> Logic Family Convert Command High Level Input Current ( $V_{IN} = 5V$ ) <sup>(5)</sup> Low Level Input Current ( $V_{IN} = 0V$ ) High Level Input Voltage Low Level Input Voltage Input Capacitance	Start Conversion	+3.5	CMOS Compatible Rising Edge of Convert Clock 5	100 ±10 +1.0	μA μA V V pF
<b>DIGITAL OUTPUTS</b> Logic Family Logic Coding Low Output Voltage Low Output Voltage High Output Voltage High Output Voltage 3-State Enable Time 3-State Disable Time Output Capacitance	( $I_{OL} = 50\mu A$ ) ( $I_{OL} = 1.6mA$ ) ( $I_{OH} = 50\mu A$ ) ( $I_{OH} = 0.5mA$ ) $\overline{OE} = L$ $\overline{OE} = H$	+4.5 +2.4	CMOS/TTL Compatible Straight Offset Binary 20 2 5	V 0.1 0.4 40 10	V V V V ns ns pF
<b>ACCURACY (5Vp-p Input Range)</b> Zero Error (Referred to –FS) Zero Error Drift (Referred to –FS) Gain Error <sup>(6)</sup> Gain Error Drift <sup>(6)</sup> Gain Error <sup>(7)</sup> Gain Error Drift <sup>(7)</sup> Power-Supply Rejection of Gain Reference Input Resistance Internal Voltage Reference Tolerance ( $V_{REF} = 2.5V$ ) Internal Voltage Reference Tolerance ( $V_{REF} = 1.0V$ )	$f_s = 2.5MHz$ At 25°C At 25°C At 25°C At 25°C $\Delta V_S = \pm 5\%$ At 25°C At 25°C	60	0.2 ±5 ±15 ±15 82 1.6	±1.5 ±2.0 ±1.5	%FS ppm/°C %FS ppm/°C %FS ppm/°C dB kΩ mV mV
<b>POWER-SUPPLY REQUIREMENTS</b> Supply Voltage: + $V_S$ Supply Current: + $I_S$ Power Dissipation Thermal Resistance, $\theta_{JA}$ SSOP-28	Operating Operating Operating	+4.7	+5.0 23 115 50	5.3 27 135	V mA mW °C/W

NOTES: (1) Spurious-Free Dynamic Range refers to the magnitude of the largest harmonic. (2) dBFS means dB relative to full-scale. (3) 2-tone intermodulation distortion is referred to the largest fundamental tone. This number will be 6dB higher if it is referred to the magnitude of the 2-tone fundamental envelope. (4) Effective number of bits (ENOB) is defined by  $(SINAD - 1.76)/6.02$ . (5) Internal 50kΩ pull-down resistor. (6) Includes internal reference. (7) Excludes internal reference.

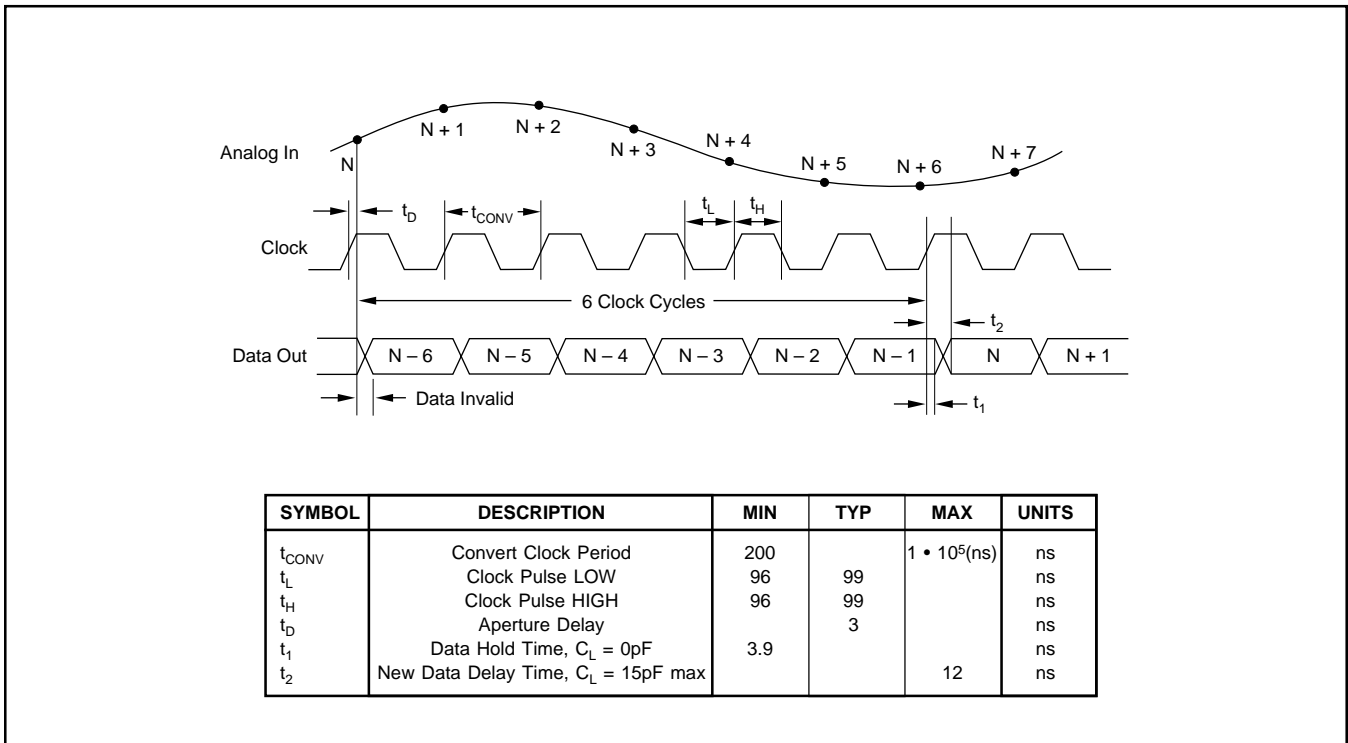
## PIN CONFIGURATION



## PIN DESCRIPTIONS

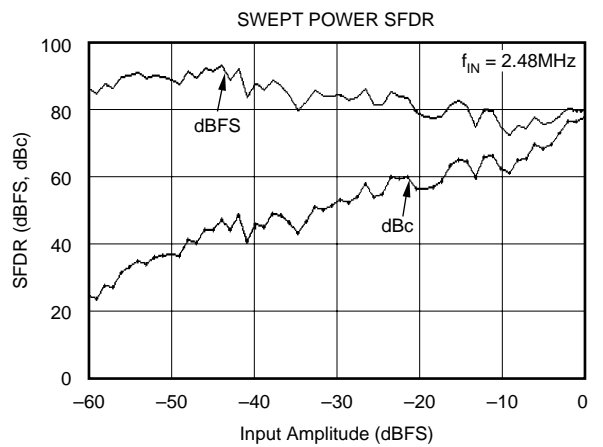
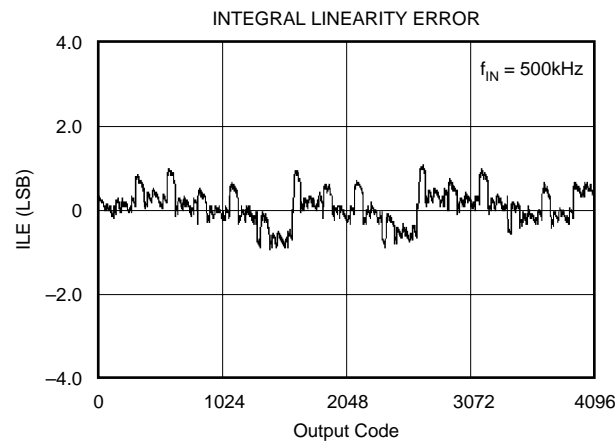
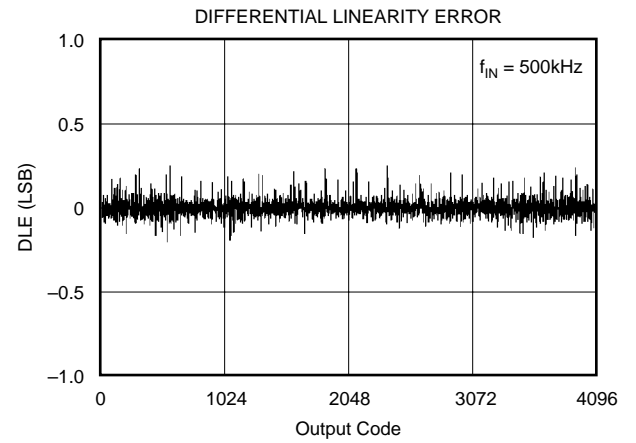
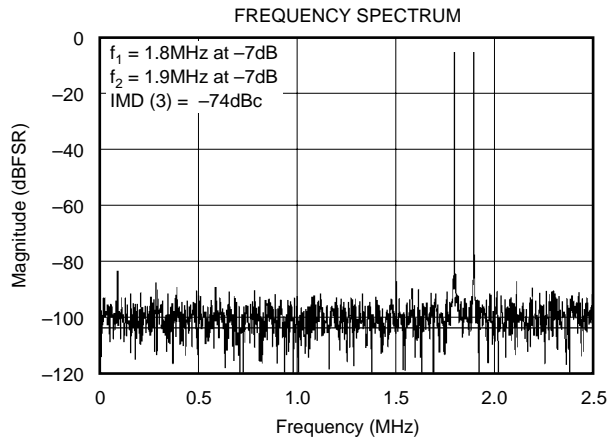
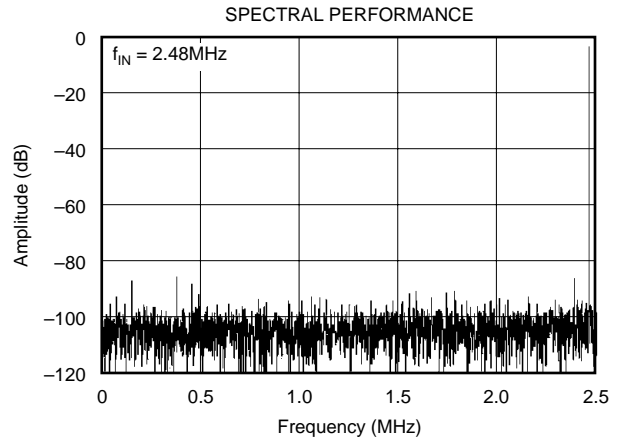
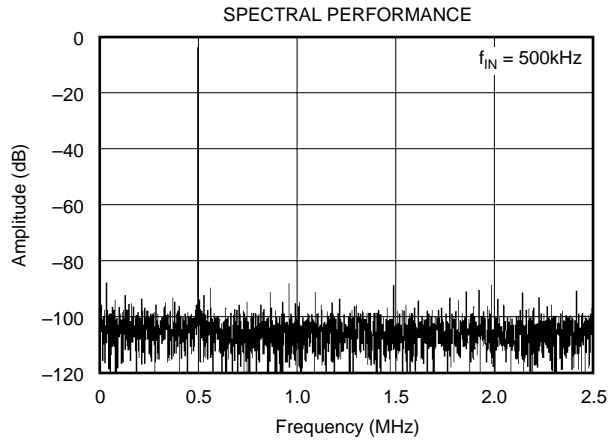
PIN	DESIGNATOR	DESCRIPTION
1	OVR	Over-Range Indicator
2	B1	Data Bit 1 (MSB)
3	B2	Data Bit 2
4	B3	Data Bit 3
5	B4	Data Bit 4
6	B5	Data Bit 5
7	B6	Data Bit 6
8	B7	Data Bit 7
9	B8	Data Bit 8
10	B9	Data Bit 9
11	B10	Data Bit 10
12	B11	Data Bit 11
13	B12	Data Bit 12 (LSB)
14	CLK	Convert Clock Input
15	OE	Output Enable
16	+Vs	+5V Supply
17	GND	Ground
18	SEL	Input Range Select
19	VREF	Reference Voltage Select
20	REFB	Bottom Reference
21	CM	Common-Mode Voltage
22	REFT	Top Reference
23	IN	Complementary Analog Input
24	GND	Analog Ground
25	IN	Analog Input (+)
26	GND	Analog Ground
27	+Vs	+5V Supply
28	VDRV	Output Driver Voltage

## TIMING DIAGRAM



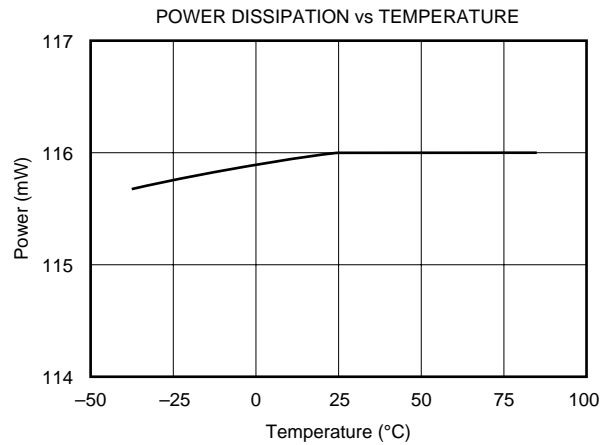
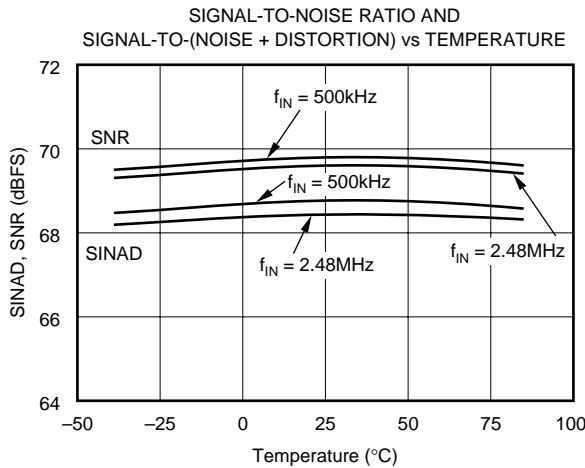
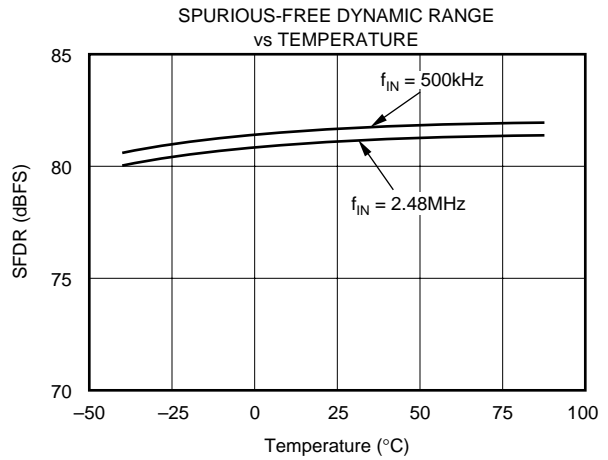
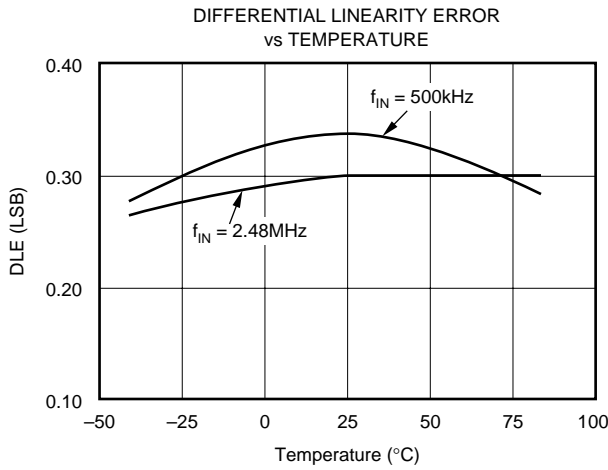
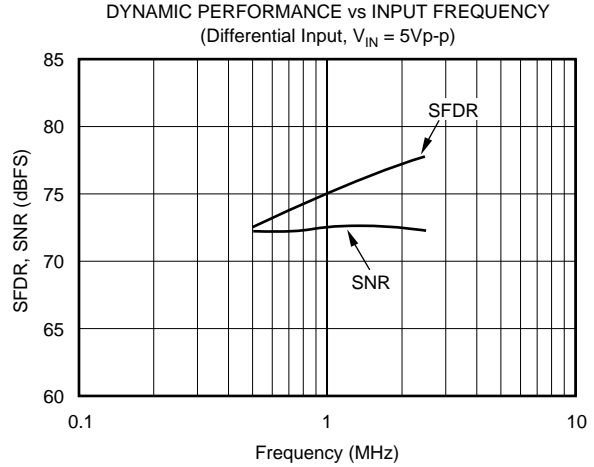
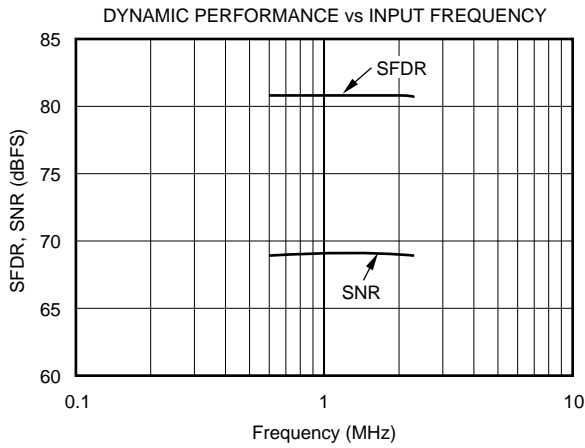
# TYPICAL CHARACTERISTICS

At  $T_A$  = full specified temperature range,  $V_S$  = +5V, specified input range = 1.5V to 3.5V, and single-ended input and sampling rate = 5MHz, unless otherwise specified.



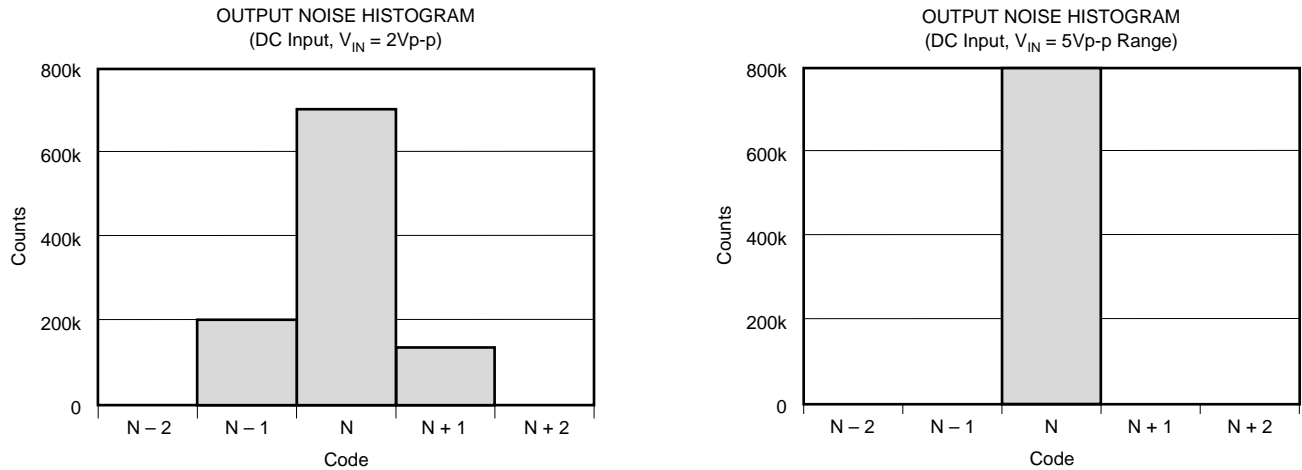
# TYPICAL CHARACTERISTICS (Cont.)

At  $T_A$  = full specified temperature range,  $V_S$  = +5V, specified input range = 1.5V to 3.5V, and single-ended input and sampling rate = 5MHz, unless otherwise specified.



# TYPICAL CHARACTERISTICS (Cont.)

At  $T_A$  = full specified temperature range,  $V_S$  = +5V, specified input range = 1.5V to 3.5V, and single-ended input and sampling rate = 5MHz, unless otherwise specified.



## APPLICATION INFORMATION

### DRIVING THE ANALOG INPUT

The ADS803 allows its analog inputs to be driven either single-ended or differentially. The focus of the following discussion is on the single-ended configuration. Typically, its implementation is easier to achieve and the rated specifications for the ADS803 are characterized using the single-ended mode of operation.

### AC-COUPLED INPUT CONFIGURATION

Given in Figure 1 is the circuit example of the most common interface configuration for the ADS803. With the  $V_{REF}$  pin connected to the SEL pin, the full-scale input range is defined

to be 2Vp-p. This signal is ac-coupled in single-ended form to the ADS803 using the low-distortion voltage-feedback amplifier OPA642. As is generally necessary for single-supply components, operating the ADS803 with a full-scale input signal swing requires a level-shift of the amplifier's zero-centered analog signal to comply with the A/D converter's input range requirements. Using a DC blocking capacitor between the output of the driving amplifier and the converter's input, a simple level-shifting scheme can be implemented. In this configuration, the top and bottom references (REFB and REFV) provide an output voltage of +3V and +2V, respectively. Here, two resistor pairs ( $2 \cdot 2k\Omega$ ) are used to create a common-mode voltage of approximately +2.5V to bias the inputs of the ADS803 ( $IN$ ,  $\bar{IN}$ ) to the required DC voltage.

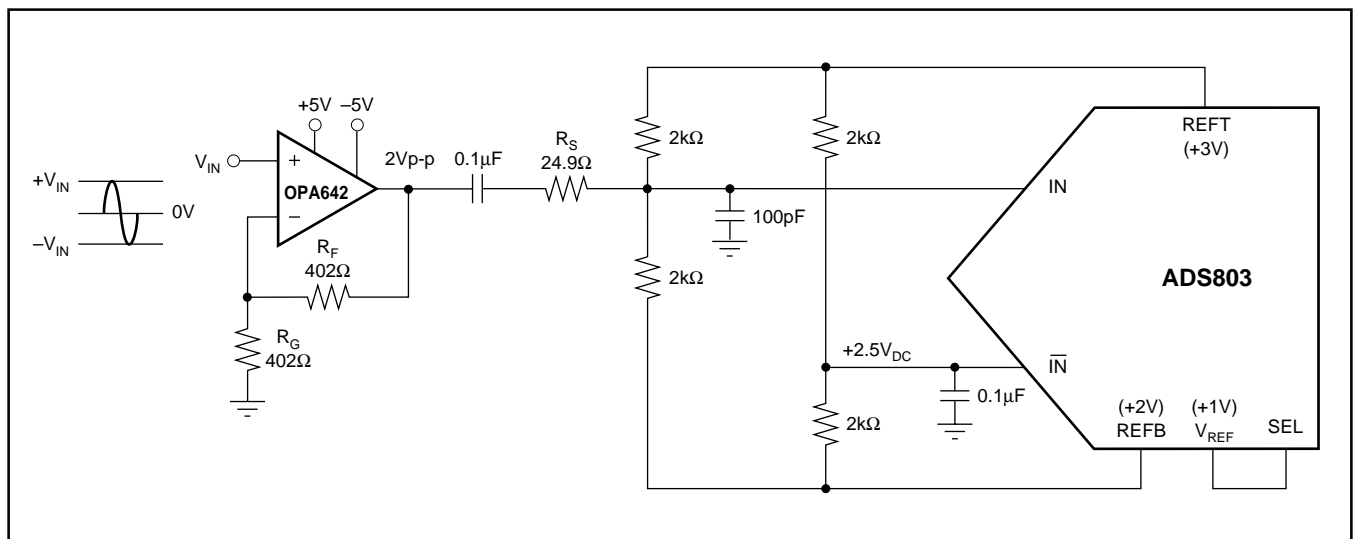


FIGURE 1. AC-Coupled Input Configuration for 2Vp-p Input Swing and Common-Mode Voltage at +2.5V Derived from Internal Top and Bottom Reference.

An advantage of ac-coupling is that the driving amplifier still operates with a ground-based signal swing. This will keep the distortion performance at its optimum since the signal swing stays within the linear region of the op amp and sufficient headroom to the supply rails can be maintained. Consider using the inverting gain configuration to eliminate CMR induced errors of the amplifier. The addition of a small series resistor ( $R_S$ ) between the output of the op amp and the input of the ADS803 will be beneficial in almost all interface configurations. This will decouple the op amp's output from the capacitive load and avoid gain peaking, which can result in increased noise. For best spurious and distortion performance, the resistor value should be kept below  $50\Omega$ . Furthermore, the series resistor together with the  $100\text{pF}$  capacitor, establish a passive low-pass filter, limiting the bandwidth for the wideband noise thus help improving the SNR performance.

### DC-COUPLED WITHOUT LEVEL SHIFT

In some applications the analog input signal may already be biased at a level which complies with the selected input range and reference level of the ADS803. In this case, it is only necessary to provide an adequately low source impedance to the selected input, IN or  $\overline{\text{IN}}$ . Always consider wideband op amps, since their output impedance will stay low over a wide range of frequencies. For those applications requiring the driving amplifier to provide a signal amplification (with a gain  $\geq 3$ ), consider using the decompensated voltage-feedback op amp OPA643.

### DC-COUPLED WITH LEVEL SHIFT

Several applications may require that the bandwidth of the signal path includes DC, in which case the signal has to be DC-coupled to the A/D converter. In order to accomplish this, the interface circuit has to provide a DC-level shift. The circuit presented in Figure 2 employs an op amp, A1, to sum the ground centered input signal with a required DC offset.

The ADS803 typically operates with a  $+2.5\text{V}$  common-mode voltage, which is established at the center tap of the ladder and connected to the  $\overline{\text{IN}}$  input of the converter. Amplifier A1 operates in inverting configuration. Here, resistors  $R_1$  and  $R_2$  set the DC bias level for A1. Due to the op amp's noise gain of  $+2\text{V}/\text{V}$  (assuming  $R_F = R_{\text{IN}}$ ), the DC offset voltage applied to its noninverting input has to be divided down to  $+1.25\text{V}$ , resulting in a DC output voltage of  $+2.5\text{V}$ . DC voltage differences between the IN and  $\overline{\text{IN}}$  inputs of the ADS803 will effectively produce an offset, which can be corrected for by adjusting the values of resistors  $R_1$  and  $R_2$ . The bias current of the op amp may also result in an undesired offset. The selection criteria of the appropriate op amp should include the input bias current, output voltage swing, distortion, and noise specification. Note that in this example the overall signal phase is inverted. To re-establish the original signal polarity it is always possible to interchange the IN and  $\overline{\text{IN}}$  connections.

### SINGLE-ENDED-TO-DIFFERENTIAL CONFIGURATION (TRANSFORMER COUPLED)

In order to select the best suited interface circuit for the ADS803, the performance requirements must be known. If an ac-coupled input is needed for a particular application, the next step is to determine the method of applying the signal; either single-ended or differentially. The differential input configuration may provide a noticeable advantage of achieving good SFDR performance based on the fact that in the differential mode, the signal swing can be reduced to half of the swing required for single-ended drive. Secondly, by driving the ADS803 differentially, the even-order harmonics will be reduced. See Figure 3 for the schematic of the suggested transformer coupled interface circuit. The resistor across the secondary side ( $R_T$ ) should be set to get an input impedance match (e.g.,  $R_T = n^2 \cdot R_G$ ).

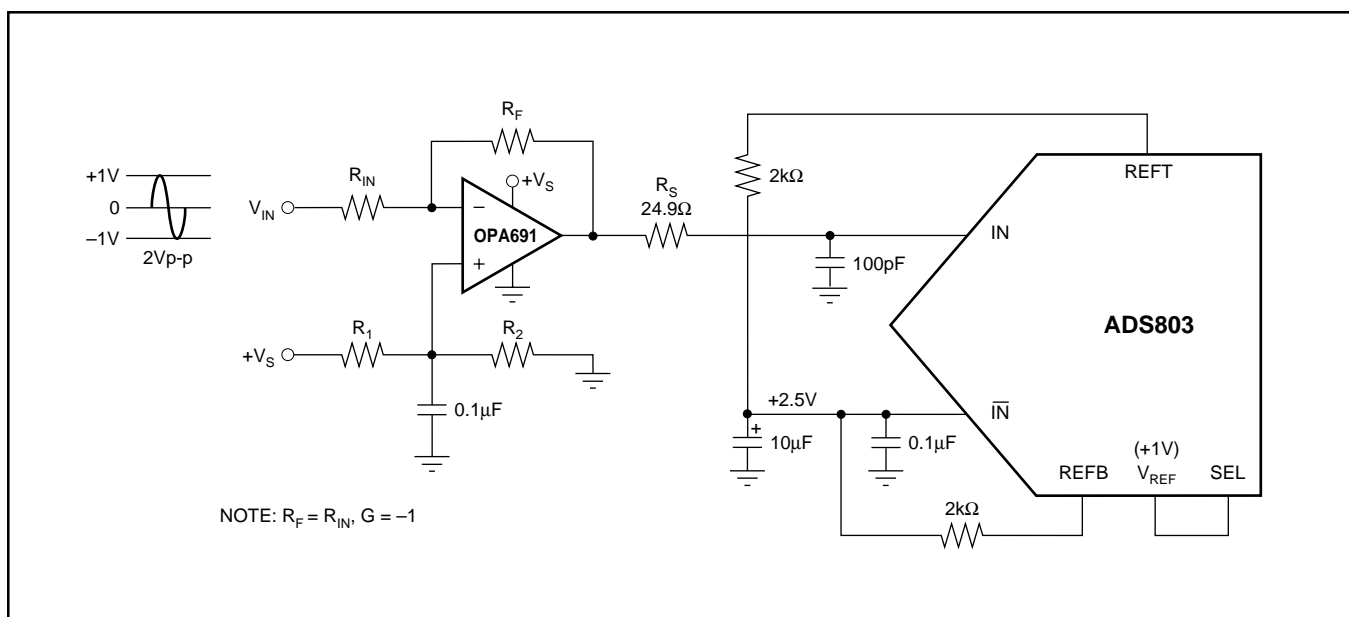


FIGURE 2. DC-Coupled, Single-Ended Input Configuration with DC-Level Shift.



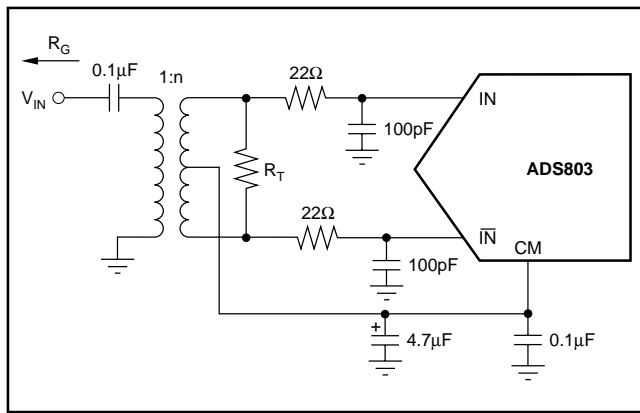


FIGURE 3. Transformer-Coupled Input

## REFERENCE OPERATION

Integrated into the ADS803 is a bandgap reference circuit including logic that provides either a +1V or +2.5V reference output by simply selecting the corresponding pin-strap configuration. Different reference voltages can be generated by the use of two external resistors, which will set a different gain for the internal reference buffer. For more design flexibility, the internal reference can be shut off and an external reference voltage used. Table I provides an overview of the possible reference options and pin configurations.

MODE	INPUT FULL-SCALE RANGE	REQUIRED $V_{REF}$	CONNECT	TO
Internal	2Vp-p	+1V	SEL	$V_{REF}$
Internal	5Vp-p	+2.5V	SEL	GND
Internal	$2V \leq FSR < 5V$ $FSR = 2 \times V_{REF}$	$1V < V_{REF} < 2.5V$ $V_{REF} = 1 + (R_1/R_2)$	$R_1$ $R_2$	$V_{REF}$ and SEL SEL and GND
External	$1V < FSR < 5V$	$0.5V < V_{REF} < 2.5V$	SEL $V_{REF}$	$+V_S$ Ext. $V_{REF}$

TABLE I. Selected Reference Configuration Examples.

A simple model of the internal reference circuit is shown in Figure 4. The internal blocks are a 1V-bandgap voltage reference, buffer, the resistive reference ladder, and the drivers for the top and bottom reference that supply the necessary current to the internal nodes. As shown, the output of the buffer appears at the  $V_{REF}$  pin. The full-scale input span of the ADS803 is determined by the voltage at  $V_{REF}$ , according to Equation 1:

$$\text{Full-Scale Input Span} = 2 \cdot V_{REF} \quad (1)$$

Note that the current drive capability of this amplifier is limited to approximately 1mA and should not be used to drive low loads. The programmable reference circuit is controlled by the voltage applied to the select pin (SEL). Refer to Table I for an overview.

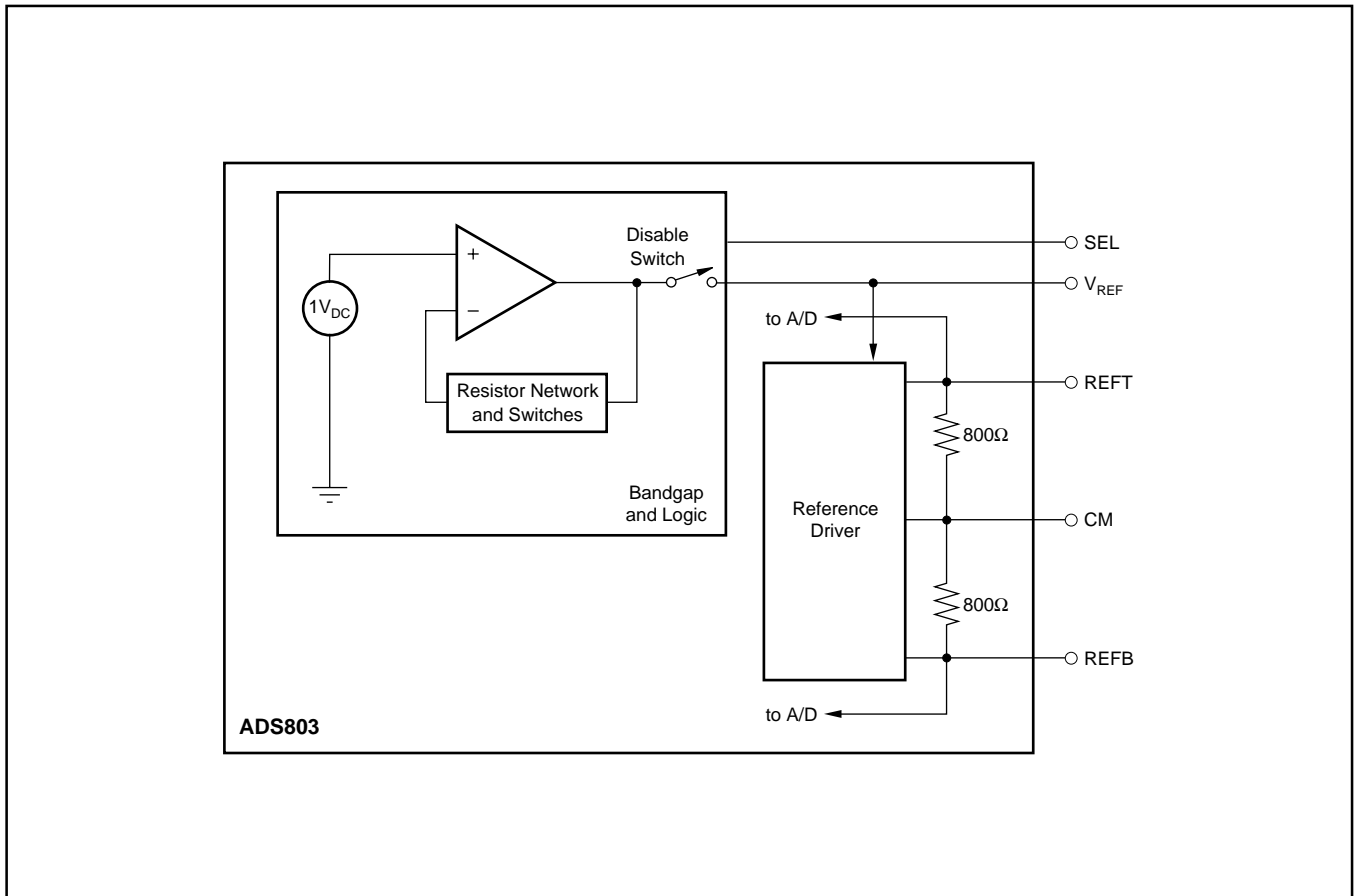


FIGURE 4. Equivalent Reference Circuit.

The top reference (REFT) and the bottom reference (REFB) are brought out mainly for external bypassing. For proper operation with all reference configurations, it is necessary to provide solid bypassing to the reference pins in order to keep the clock feedthrough to a minimum. Figure 5 shows the recommended decoupling network.

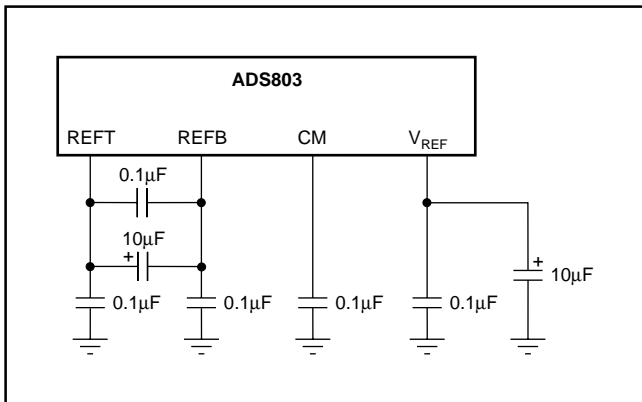


FIGURE 5. Recommended Reference Bypassing Scheme.

In addition, the common-mode voltage (CMV) may be used as a reference level to provide the appropriate offset for the driving circuitry. However, care must be taken not to appreciably load this node, which is not buffered and has a high impedance. An alternate method of generating a common-mode voltage is given in Figure 6. Here, two external precision resistors (tolerance 1% or better) are located between the top and bottom reference pins. The common-mode level will appear at the midpoint. The output buffers of the top and bottom reference are designed to supply approximately 2mA of output current.

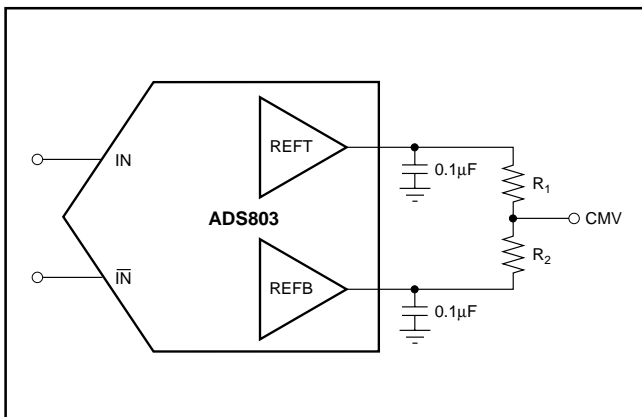


FIGURE 6. Alternative Circuit to Generate CM Voltage.

### SELECTING THE INPUT RANGE AND REFERENCE

Figures 7 through 9 show a selection of circuits for the most common input ranges when using the internal reference of the ADS803. All examples are for single-ended inputs and operate with a nominal common-mode voltage of +2.5V.

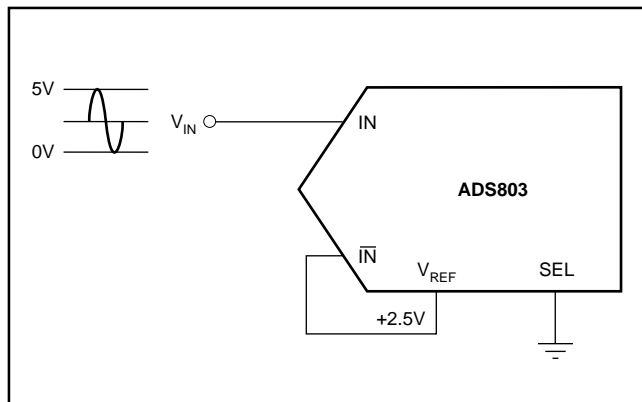


FIGURE 7. Internal Reference with 0V to 5V Input Range.

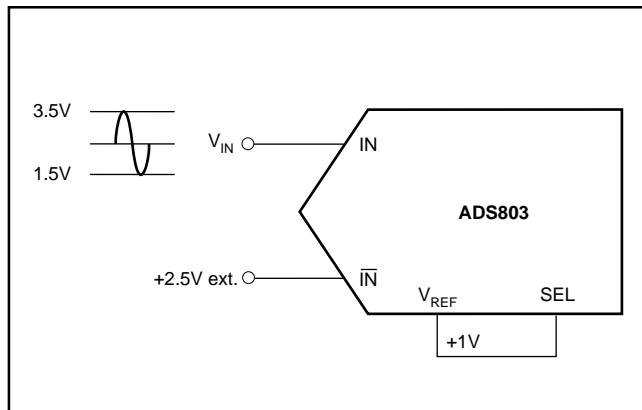


FIGURE 8. Internal Reference with 1.5V to 3.5V Input Range.

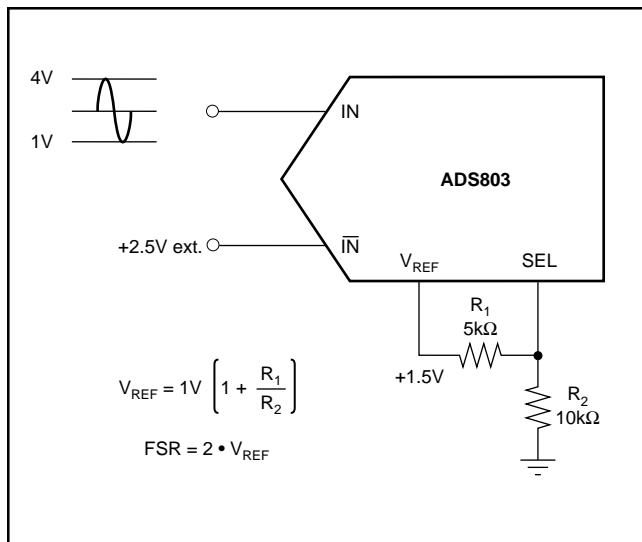


FIGURE 9. Internal Reference with 1V to 4V Input Range.

### EXTERNAL REFERENCE OPERATION

Depending on the application requirements, it might be advantageous to operate the ADS803 with an external reference. This may improve the DC accuracy if the external

reference circuitry is superior in its drift and accuracy. To use the ADS803 with an external reference, the user must disable the internal reference, as shown in Figure 10. By connecting the SEL pin to +V<sub>S</sub>, the internal logic will shut down the internal reference. At the same time, the output of the internal reference buffer is disconnected from the V<sub>REF</sub> pin, which must now be driven with the external reference. Note that a similar bypassing scheme should be maintained as described for the internal reference operation.

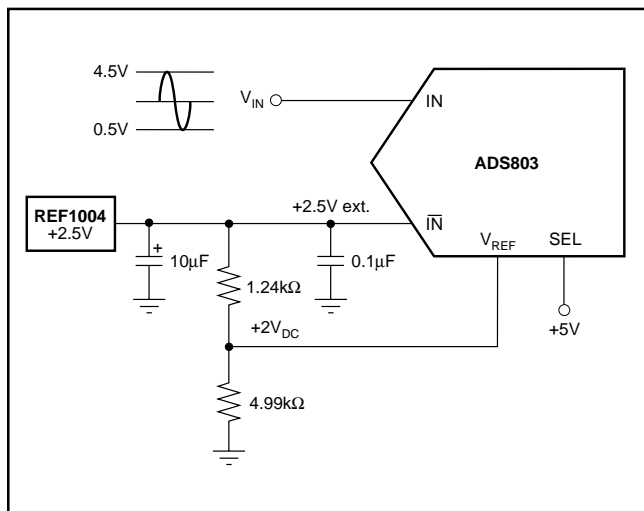


FIGURE 10. External Reference, Input Range 0.5V to 4.5V (4Vp-p), with +2.5V Common-Mode Voltage.

## DIGITAL INPUTS AND OUTPUTS

### Over-Range (OVR)

One feature of the ADS803 is its 'Over-Range' (OVR) digital output. This pin can be used to monitor any out-of-range condition, which occurs every time the applied analog input voltage exceeds the input range (set by V<sub>REF</sub>). The OVR output is LOW when the input voltage is within the defined input range. It becomes HIGH when the input voltage is beyond the input range. This is the case when the input voltage is either below the bottom reference voltage or above the top reference voltage. OVR will remain active until the analog input returns to its normal signal range and another conversion is completed. Using the MSB and its complement in conjunction with OVR, a simple clue logic can be built that detects the over-range and under-range conditions, as shown in Figure 11. It should be noted that OVR is a digital output that is updated along with the bit information corresponding to the particular sampling incidence of the analog signal. Therefore, the OVR data is subject to the same pipeline delay (latency) as the digital data.

### CLOCK INPUT REQUIREMENTS

Clock jitter is critical to the SNR performance of high-speed, high-resolution A/D converters. It leads to aperture jitter (t<sub>A</sub>) which adds noise to the signal being converted. The ADS803 samples the input signal on the rising edge of the CLK input.

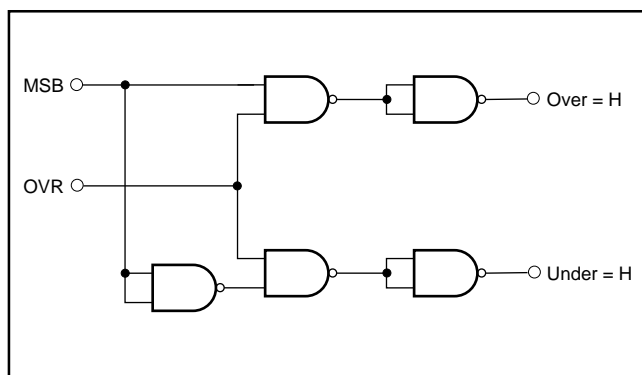


FIGURE 11. External Logic for Decoding Under- and Over-Range Conditions.

Therefore, this edge should have the lowest possible jitter. The jitter noise contribution to total SNR is given by the following equation. If this value is near your system requirements, input clock jitter must be reduced.

$$\text{JitterSNR} = 20 \log \frac{1}{2\pi f_{IN} t_A} \text{ rms signal to rms noise}$$

where:  $f_{IN}$  is Input Signal Frequency

$t_A$  is rms Clock Jitter

Particularly in undersampling applications, special consideration should be given to clock jitter. The clock input should be treated as an analog input in order to achieve the highest level of performance. Any overshoot or undershoot of the clock signal may cause degradation of the performance. When digitizing at high sampling rates, the clock should have a 50% duty cycle ( $t_H = t_L$ ), along with fast rise and fall times of 2ns or less.

## DIGITAL OUTPUTS

The digital outputs of the ADS803 are designed to be compatible with both high speed TTL and CMOS logic families. The driver stage for the digital outputs is supplied through a separate supply pin, VDRV, which is not connected to the analog supply pins. By adjusting the voltage on VDRV, the digital output levels will vary respectively. Therefore, it is possible to operate the ADS803 on a +5V analog supply while interfacing the digital outputs to 3V logic.

It is recommended to keep the capacitive loading on the data lines as low as possible ( $\leq 15\text{pF}$ ). Larger capacitive loads demand higher charging currents as the outputs are changing. Those high current surges can feed back to the analog portion of the ADS803 and influence the performance. If necessary, external buffers or latches may be used, which provide the added benefit of isolating the ADS803 from any digital noise activities on the bus coupling back high-frequency noise. In addition, resistors in series with each data line may help maintain the ac performance of the ADS803. Their use depends on the capacitive loading seen by the converter. Values in the range of 100Ω to 200Ω will limit the instantaneous current the output stage has to provide for recharging the parasitic capacitances as the output levels change from LOW to HIGH or HIGH to LOW.

## GROUNDING AND DECOUPLING

Proper grounding and bypassing, short lead length, and the use of ground planes are particularly important for high-frequency designs. Multi-layer PC boards are recommended for best performance, since they offer distinct advantages like minimizing ground impedance, separation of signal layers by ground layers, etc. It is recommended that the analog and digital ground pins of the ADS803 be joined together at the IC and be connected only to the analog ground of the system.

The ADS803 has analog and digital supply pins, however, the converter should be treated as an analog component and all supply pins should be powered by the analog supply. This will ensure the most consistent results, since digital supply lines often carry high levels of noise that would otherwise be coupled into the converter and degrade the achievable performance.

Due to the pipeline architecture, the converter also generates high-frequency current transients and noise that are fed back into the supply and reference lines. This requires that the supply and reference pins be sufficiently bypassed. Figure 12 shows the recommended decoupling scheme for the

analog supplies. In most cases,  $0.1\mu\text{F}$  ceramic chip capacitors are adequate to keep the impedance low over a wide frequency range. Their effectiveness largely depends on the proximity to the individual supply pin. Therefore, they should be located as close to the supply pins as possible. In addition, a larger size bipolar capacitor ( $1\mu\text{F}$  to  $22\mu\text{F}$ ) should be placed on the PC board in close proximity to the converter circuit.

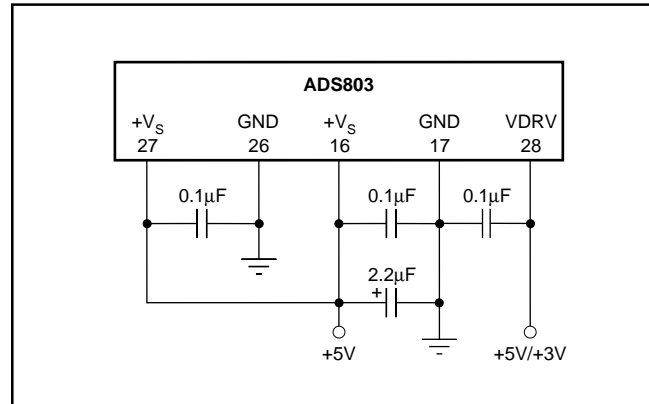


FIGURE 12. Recommended Bypassing for Analog Supply Pins.

**PACKAGING INFORMATION**

Orderable part number	Status (1)	Material type (2)	Package   Pins	Package qty   Carrier	RoHS (3)	Lead finish/ Ball material (4)	MSL rating/ Peak reflow (5)	Op temp (°C)	Part marking (6)
<a href="#">ADS803E</a>	Active	Production	SSOP (DB)   28	50   TUBE	Yes	NIPDAU	Level-2-260C-1 YEAR	-40 to 85	ADS803E
<a href="#">ADS803E/1K</a>	Active	Production	SSOP (DB)   28	1000   LARGE T&R	Yes	NIPDAU	Level-2-260C-1 YEAR	-40 to 85	ADS803E

(1) **Status:** For more details on status, see our [product life cycle](#).

(2) **Material type:** When designated, preproduction parts are prototypes/experimental devices, and are not yet approved or released for full production. Testing and final process, including without limitation quality assurance, reliability performance testing, and/or process qualification, may not yet be complete, and this item is subject to further changes or possible discontinuation. If available for ordering, purchases will be subject to an additional waiver at checkout, and are intended for early internal evaluation purposes only. These items are sold without warranties of any kind.

(3) **RoHS values:** Yes, No, RoHS Exempt. See the [TI RoHS Statement](#) for additional information and value definition.

(4) **Lead finish/Ball material:** Parts may have multiple material finish options. Finish options are separated by a vertical ruled line. Lead finish/Ball material values may wrap to two lines if the finish value exceeds the maximum column width.

(5) **MSL rating/Peak reflow:** The moisture sensitivity level ratings and peak solder (reflow) temperatures. In the event that a part has multiple moisture sensitivity ratings, only the lowest level per JEDEC standards is shown. Refer to the shipping label for the actual reflow temperature that will be used to mount the part to the printed circuit board.

(6) **Part marking:** There may be an additional marking, which relates to the logo, the lot trace code information, or the environmental category of the part.

Multiple part markings will be inside parentheses. Only one part marking contained in parentheses and separated by a "~" will appear on a part. If a line is indented then it is a continuation of the previous line and the two combined represent the entire part marking for that device.

**Important Information and Disclaimer:**The information provided on this page represents TI's knowledge and belief as of the date that it is provided. TI bases its knowledge and belief on information provided by third parties, and makes no representation or warranty as to the accuracy of such information. Efforts are underway to better integrate information from third parties. TI has taken and continues to take reasonable steps to provide representative and accurate information but may not have conducted destructive testing or chemical analysis on incoming materials and chemicals. TI and TI suppliers consider certain information to be proprietary, and thus CAS numbers and other limited information may not be available for release.

In no event shall TI's liability arising out of such information exceed the total purchase price of the TI part(s) at issue in this document sold by TI to Customer on an annual basis.

**TAPE AND REEL INFORMATION**

**QUADRANT ASSIGNMENTS FOR PIN 1 ORIENTATION IN TAPE**


\*All dimensions are nominal

Device	Package Type	Package Drawing	Pins	SPQ	Reel Diameter (mm)	Reel Width W1 (mm)	A0 (mm)	B0 (mm)	K0 (mm)	P1 (mm)	W (mm)	Pin1 Quadrant
ADS803E/1K	SSOP	DB	28	1000	330.0	16.4	8.1	10.4	2.5	12.0	16.0	Q1

**TAPE AND REEL BOX DIMENSIONS**


\*All dimensions are nominal

Device	Package Type	Package Drawing	Pins	SPQ	Length (mm)	Width (mm)	Height (mm)
ADS803E/1K	SSOP	DB	28	1000	350.0	350.0	43.0

**TUBE**


\*All dimensions are nominal

Device	Package Name	Package Type	Pins	SPQ	L (mm)	W (mm)	T (μm)	B (mm)
ADS803E	DB	SSOP	28	50	530	10.5	4000	4.1
ADS803E.Z	DB	SSOP	28	50	530	10.5	4000	4.1



## IMPORTANT NOTICE AND DISCLAIMER

TI PROVIDES TECHNICAL AND RELIABILITY DATA (INCLUDING DATA SHEETS), DESIGN RESOURCES (INCLUDING REFERENCE DESIGNS), APPLICATION OR OTHER DESIGN ADVICE, WEB TOOLS, SAFETY INFORMATION, AND OTHER RESOURCES "AS IS" AND WITH ALL FAULTS, AND DISCLAIMS ALL WARRANTIES, EXPRESS AND IMPLIED, INCLUDING WITHOUT LIMITATION ANY IMPLIED WARRANTIES OF MERCHANTABILITY, FITNESS FOR A PARTICULAR PURPOSE OR NON-INFRINGEMENT OF THIRD PARTY INTELLECTUAL PROPERTY RIGHTS.

These resources are intended for skilled developers designing with TI products. You are solely responsible for (1) selecting the appropriate TI products for your application, (2) designing, validating and testing your application, and (3) ensuring your application meets applicable standards, and any other safety, security, regulatory or other requirements.

These resources are subject to change without notice. TI grants you permission to use these resources only for development of an application that uses the TI products described in the resource. Other reproduction and display of these resources is prohibited. No license is granted to any other TI intellectual property right or to any third party intellectual property right. TI disclaims responsibility for, and you will fully indemnify TI and its representatives against, any claims, damages, costs, losses, and liabilities arising out of your use of these resources.

TI's products are provided subject to [TI's Terms of Sale](#) or other applicable terms available either on [ti.com](https://www.ti.com) or provided in conjunction with such TI products. TI's provision of these resources does not expand or otherwise alter TI's applicable warranties or warranty disclaimers for TI products.

TI objects to and rejects any additional or different terms you may have proposed.

Mailing Address: Texas Instruments, Post Office Box 655303, Dallas, Texas 75265

Copyright © 2025, Texas Instruments Incorporated