

A

B

C

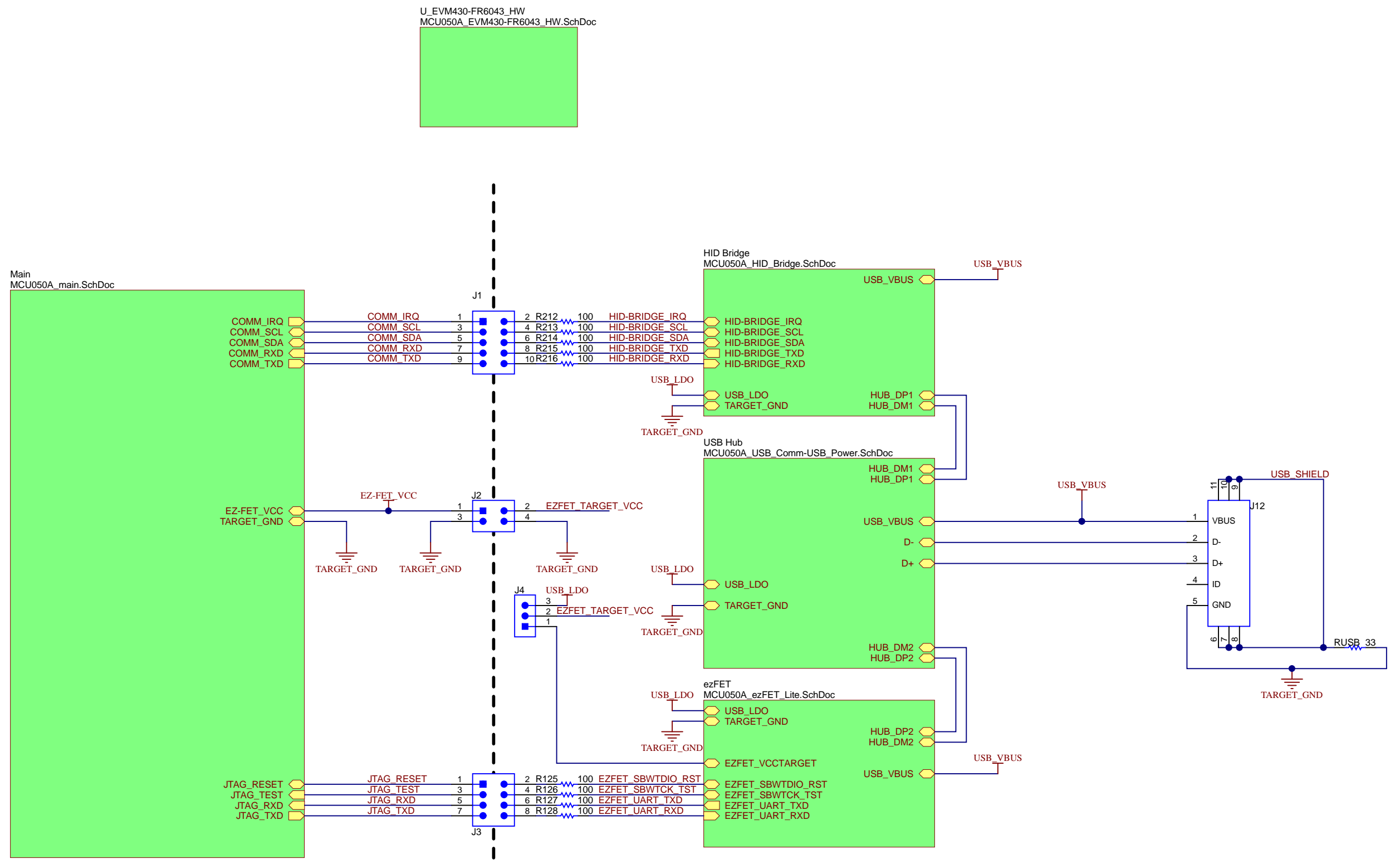
D

A

B

C

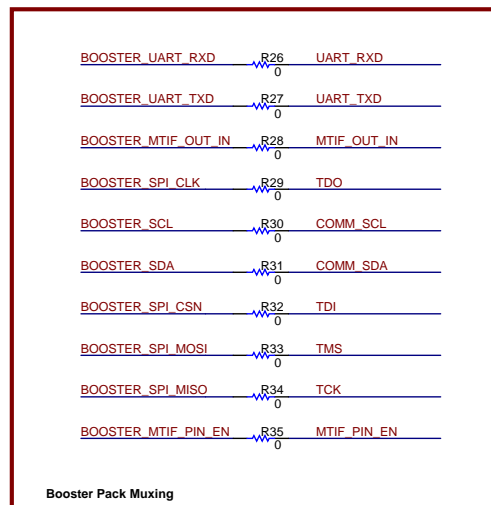
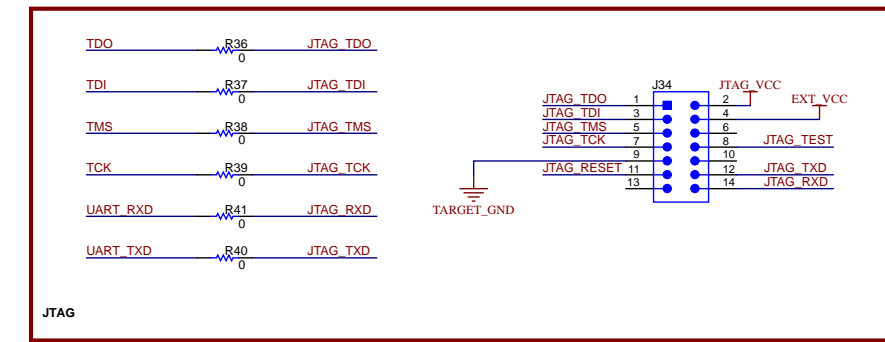
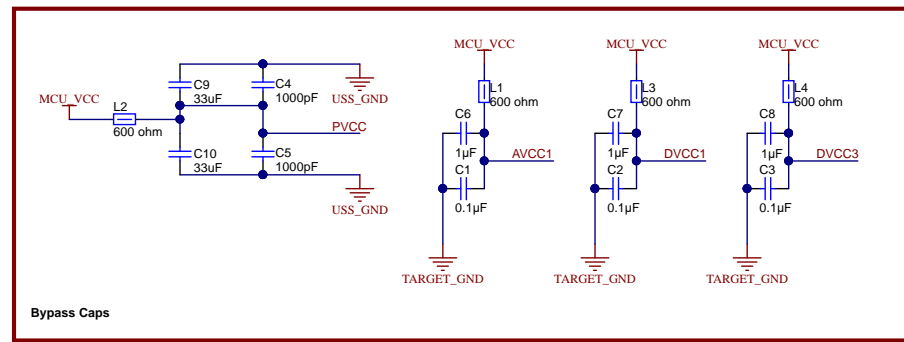
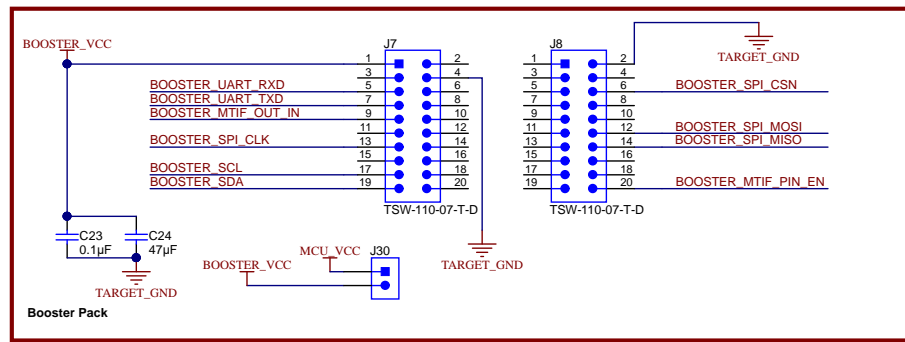
D



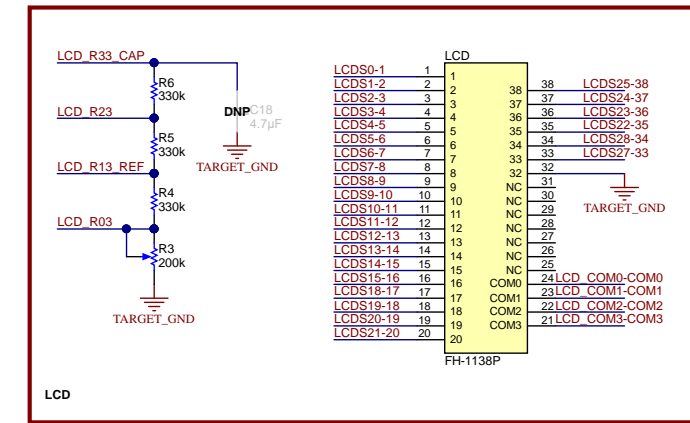
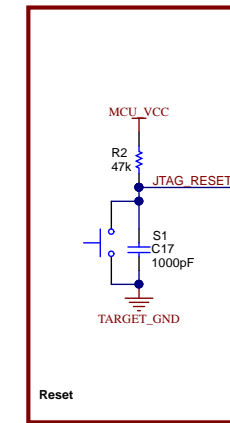
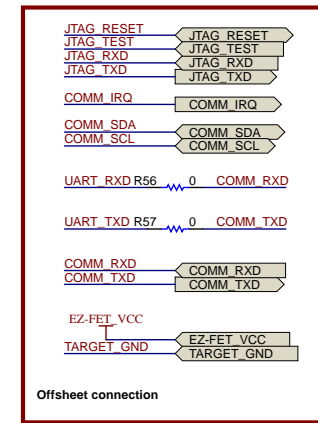
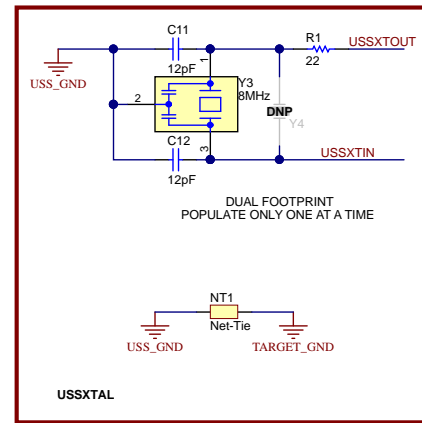
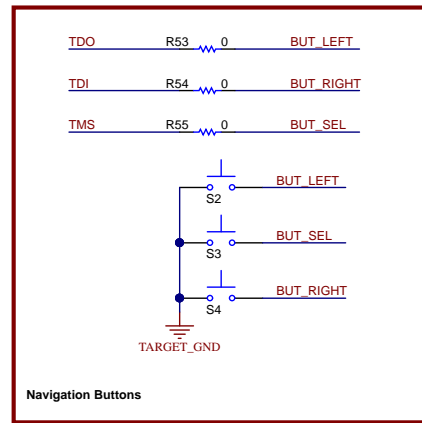
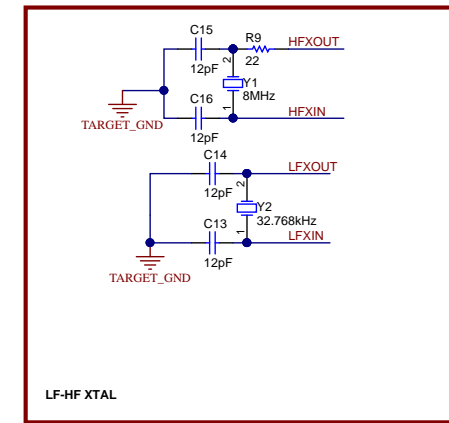
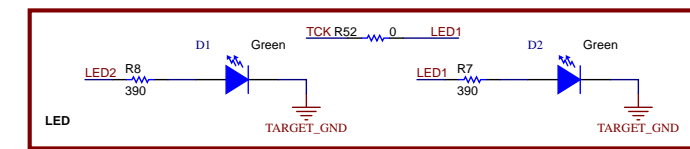
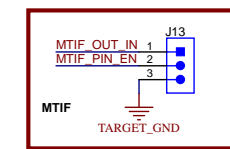
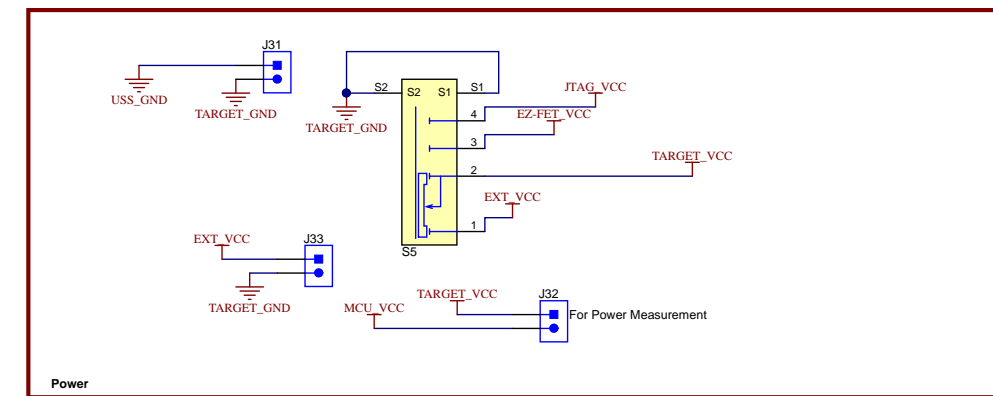
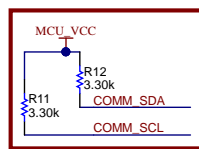
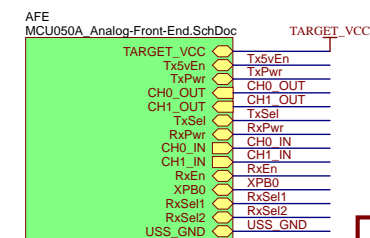
Texas Instruments and/or its licensors do not warrant the accuracy or completeness of this specification or any information contained therein. Texas Instruments and/or its licensors do not warrant that this design will meet the specifications, will be suitable for your application or fit for any particular purpose, or will operate in an implementation. Texas Instruments and/or its licensors do not warrant that the design is production worthy. You should completely validate and test your design implementation to confirm the system functionality for your application.

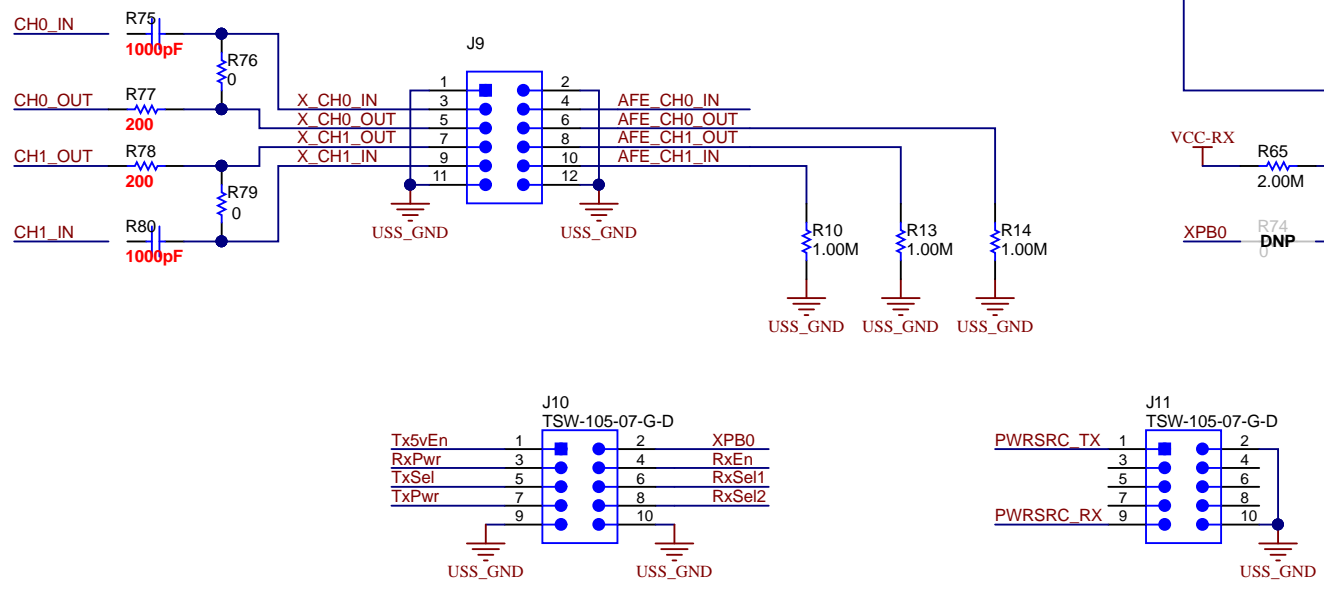
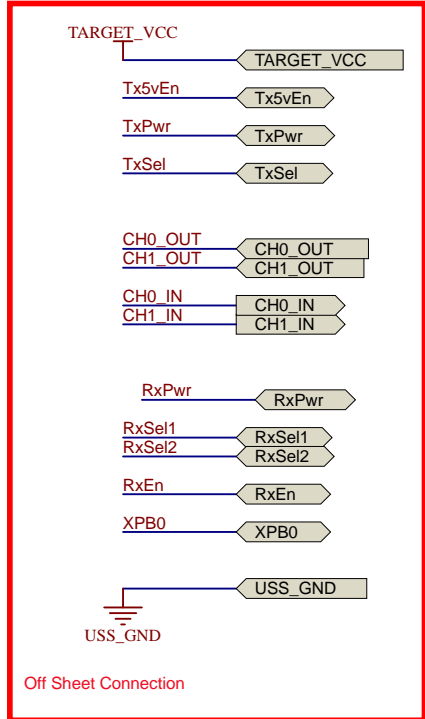
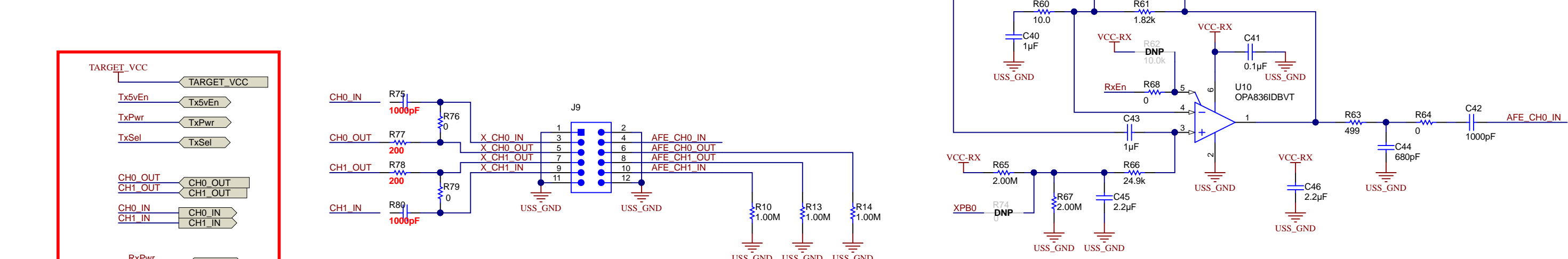
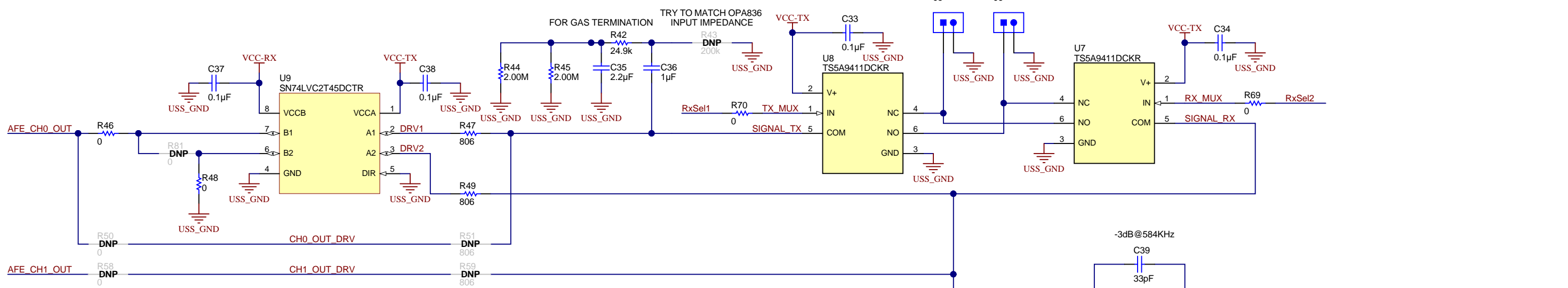
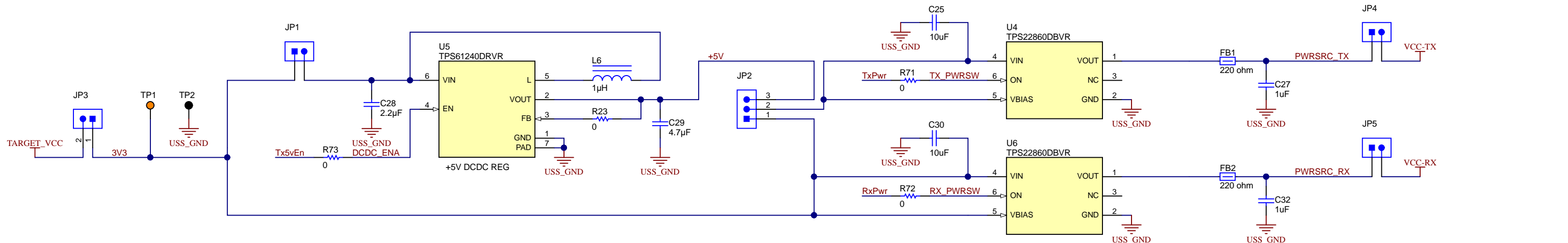
Orderable: EVM_orderable	Designed for: Public Release	Mod. Date: 5/7/2018
TID #: N/A	Project Title: EVM430-FR6043	
Number: MCU050	Rev: A	Sheet: 1 of 7
SVN Rev: Version control disabled	Assembly Variant: 002	Size: B
Drawn By:	File: MCU050A_EVM430-FR6043.SchDoc	Contact: <a href="http://www.ti.com/support">http://www.ti.com/support</a>
Engineer: D. Garcia		





Pin	Signal	Target
AVCC1	AVCC1	AVCC1
DVCC1	DVCC1	DVCC1
DVCC3	DVCC3	DVCC3
PVCC	PVCC	PVCC
PVCC	PVCC	PVCC
TxPwr	P1.0/UC1CLK/TA1.0/A0/C0/VREF/VREF- TxvEn	P1.0/UC1CLK/TA1.0/A0/C0/VREF/VREF- TxvEn
UART_TXD	P1.1/UC1STE/UC1A3/SOMI/UC1A3RXD/LCDS18	P1.1/UC1STE/UC1A3/SOMI/UC1A3RXD/LCDS18
UART_RXD	P1.2/UC1SIMO/UC1A1TXD/TA1.0/A8/C8	P1.2/UC1SIMO/UC1A1TXD/TA1.0/A8/C8
COMM_IRQ	P1.3/UC1SOMI/UC1A1RXD/TA1.1/A9/C9	P1.3/UC1SOMI/UC1A1RXD/TA1.1/A9/C9
LED2	P1.4/TB0.4/UCB0STE/A2/C2	P1.4/TB0.4/UCB0STE/A2/C2
COMM_SDA	P1.5/TB0.5/UCB0CLK/A3/C3	P1.5/TB0.5/UCB0CLK/A3/C3
COMM_SCL	P1.6/UC1STE/UCB0SIMO/UCB0SDA/LCDS17	P1.6/UC1STE/UCB0SIMO/UCB0SDA/LCDS17
COMM_SCL	P1.7/USSTRG/UC3ACLK/UCB0SOMI/UCB0SCL/LCDS16	P1.7/USSTRG/UC3ACLK/UCB0SOMI/UCB0SCL/LCDS16
LCDS19-18	P2.0/UC1CLK/UC1A3SIMO/UC1A3TXD/LCDS19	P2.0/UC1CLK/UC1A3SIMO/UC1A3TXD/LCDS19
LCDS18-17	P2.1/UC1STE/UC1A3SOMI/UC1A3RXD/LCDS18	P2.1/UC1STE/UC1A3SOMI/UC1A3RXD/LCDS18
RxPwr	P2.2/COUT/UC1A0CLK/A14/C14	P2.2/COUT/UC1A0CLK/A14/C14
TxSel	P2.3/TA0.0/UC1A0STE/A15/C15	P2.3/TA0.0/UC1A0STE/A15/C15
LCDS24-37	P2.4/TA0CLK/TB0CLK/TA1CLK/LCDS24	P2.4/TA0CLK/TB0CLK/TA1CLK/LCDS24
LCDS21-20	P2.5/TA0.2/TA4.0/LCDS21	P2.5/TA0.2/TA4.0/LCDS21
LCDS23-36	P2.6/UC1A0SIMO/UC1A0TXD/TA1.2/TA1.2C/LCDS23	P2.6/UC1A0SIMO/UC1A0TXD/TA1.2/TA1.2C/LCDS23
LCDS22-35	P2.7/UC1A0SOMI/UC1A0RXD/TA4.1/TA4.1C/LCDS22	P2.7/UC1A0SOMI/UC1A0RXD/TA4.1/TA4.1C/LCDS22
LCDS20-19	P3.0/TB0.0/LCDS20	P3.0/TB0.0/LCDS20
MTIF_OUT_IN	P3.1/TA1CLK/TB0.1/MTIF_OUT_IN	P3.1/TA1CLK/TB0.1/MTIF_OUT_IN
LCDS28-34	P3.2/TA1.1/COM5/LCDS28	P3.2/TA1.1/COM5/LCDS28
LCDS25-38	P3.3/MCLK/TB0.3/XPB0/LCDS25	P3.3/MCLK/TB0.3/XPB0/LCDS25
LCDS27-33	P3.4/SCLK/COM6/DMAE0/LCDS27	P3.4/SCLK/COM6/DMAE0/LCDS27
LCD_COM3-COM3	P3.5/ACLK/COM3/COUT/LCDS26	P3.5/ACLK/COM3/COUT/LCDS26
RxSel1	P3.6/UCB1SIMO/UCB1SDA/TB0.6/USSTX_BOUT/LCDS35	P3.6/UCB1SIMO/UCB1SDA/TB0.6/USSTX_BOUT/LCDS35
RxSel2	P3.7/UCB1SOMI/UCB1SCL/TB0.2/TB0OUTH/LCDS36	P3.7/UCB1SOMI/UCB1SCL/TB0.2/TB0OUTH/LCDS36
MTIF_PIN_EN	P4.0/RTCLK/TA1.1/MTIF_PIN_EN	P4.0/RTCLK/TA1.1/MTIF_PIN_EN
LCDS15-16	P4.1/UC1CLK/TB0.4/UC1A3SOMI/UC1A3RXD/LCDS15	P4.1/UC1CLK/TB0.4/UC1A3SOMI/UC1A3RXD/LCDS15
LCDS14-15	P4.2/UC1A0STE/TB0.5/UC1A3SIMO/UC1A3TXD/LCDS14	P4.2/UC1A0STE/TB0.5/UC1A3SIMO/UC1A3TXD/LCDS14
LCDS13-14	P4.3/UC1A0SIMO/UC1A0TXD/LCDS13	P4.3/UC1A0SIMO/UC1A0TXD/LCDS13
LCDS12-13	P4.4/UC1A0SOMI/UC1A0RXD/LCDS12	P4.4/UC1A0SOMI/UC1A0RXD/LCDS12
LCDS11-12	P4.5/TA0CLK/TA1CLK/LCDS11	P4.5/TA0CLK/TA1CLK/LCDS11
LCDS10-11	P4.6/TB0CLK/TA4CLK/LCDS10	P4.6/TB0CLK/TA4CLK/LCDS10
LCDS9-10	P4.7/DMAE0/LCDS9	P4.7/DMAE0/LCDS9
LCDS8-9	P5.0/TB0.0/UC1A2SIMO/UC1A2TXD/LCDS8	P5.0/TB0.0/UC1A2SIMO/UC1A2TXD/LCDS8
LCDS7-8	P5.1/TB0.1/UC1A2SOMI/UC1A2RXD/LCDS7	P5.1/TB0.1/UC1A2SOMI/UC1A2RXD/LCDS7
LCDS6-7	P5.2/TB0.2/UC1A2CLK/LCDS6	P5.2/TB0.2/UC1A2CLK/LCDS6
LCDS5-6	P5.3/TB0.3/UC1A2STE/LCDS5	P5.3/TB0.3/UC1A2STE/LCDS5
LCDS4-5	P5.4/TA0.0/UC1CLK/TA4.0/LCDS4	P5.4/TA0.0/UC1CLK/TA4.0/LCDS4
LCDS3-4	P5.5/TA4.1/UCB1SIMO/UCB1SDA/LCDS3	P5.5/TA4.1/UCB1SIMO/UCB1SDA/LCDS3
LCDS2-3	P5.6/TB0OUTH/UCB1SOMI/UCB1SCL/LCDS2	P5.6/TB0OUTH/UCB1SOMI/UCB1SCL/LCDS2
LCDS1-2	P5.7/TA0.2/UCB1STE/LCDS1	P5.7/TA0.2/UCB1STE/LCDS1

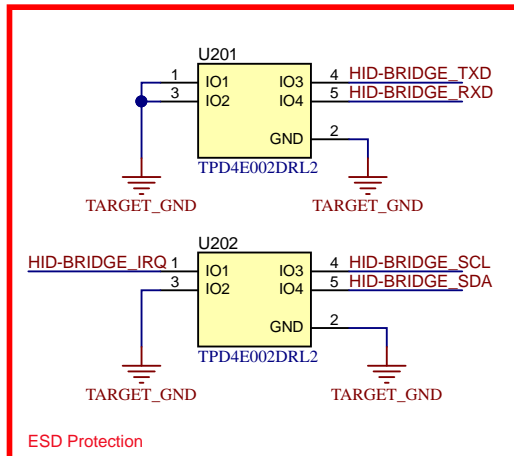
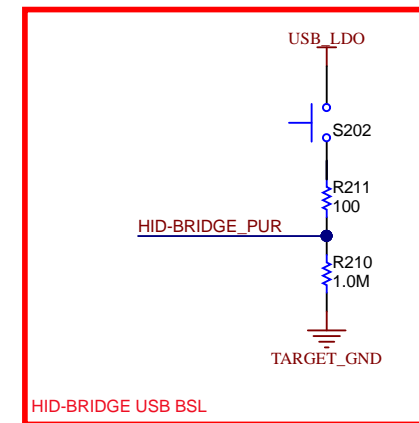
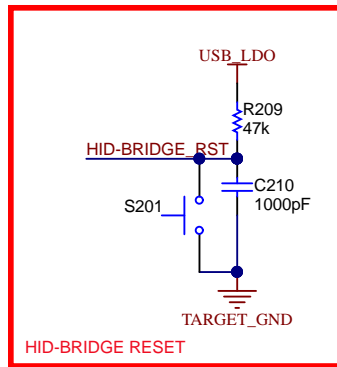
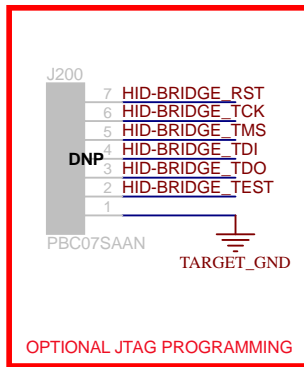
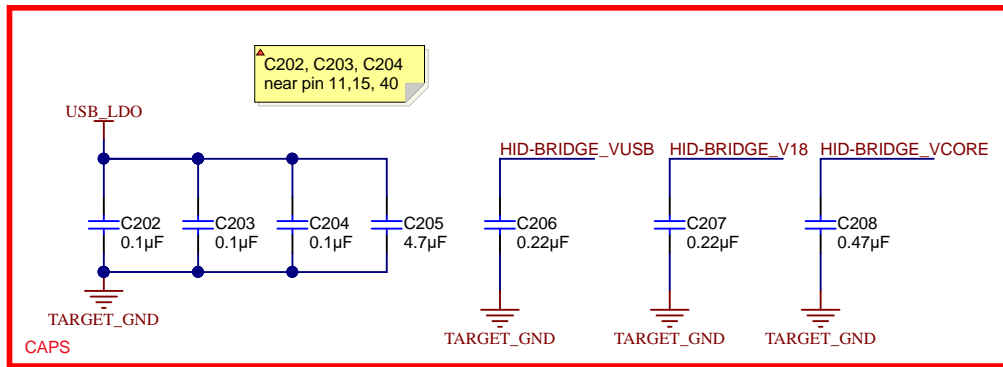




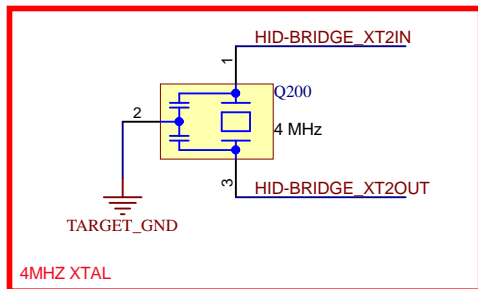
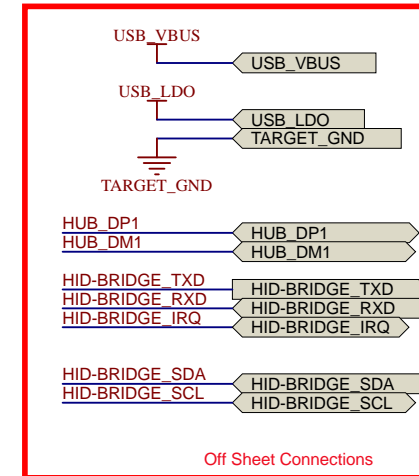
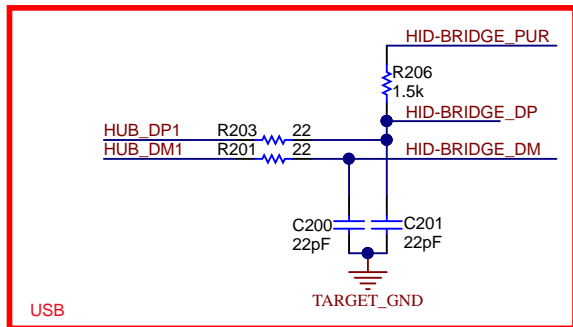
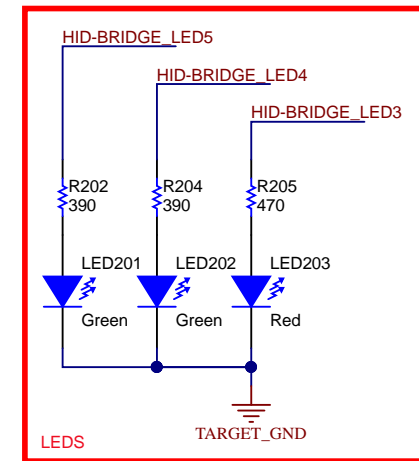
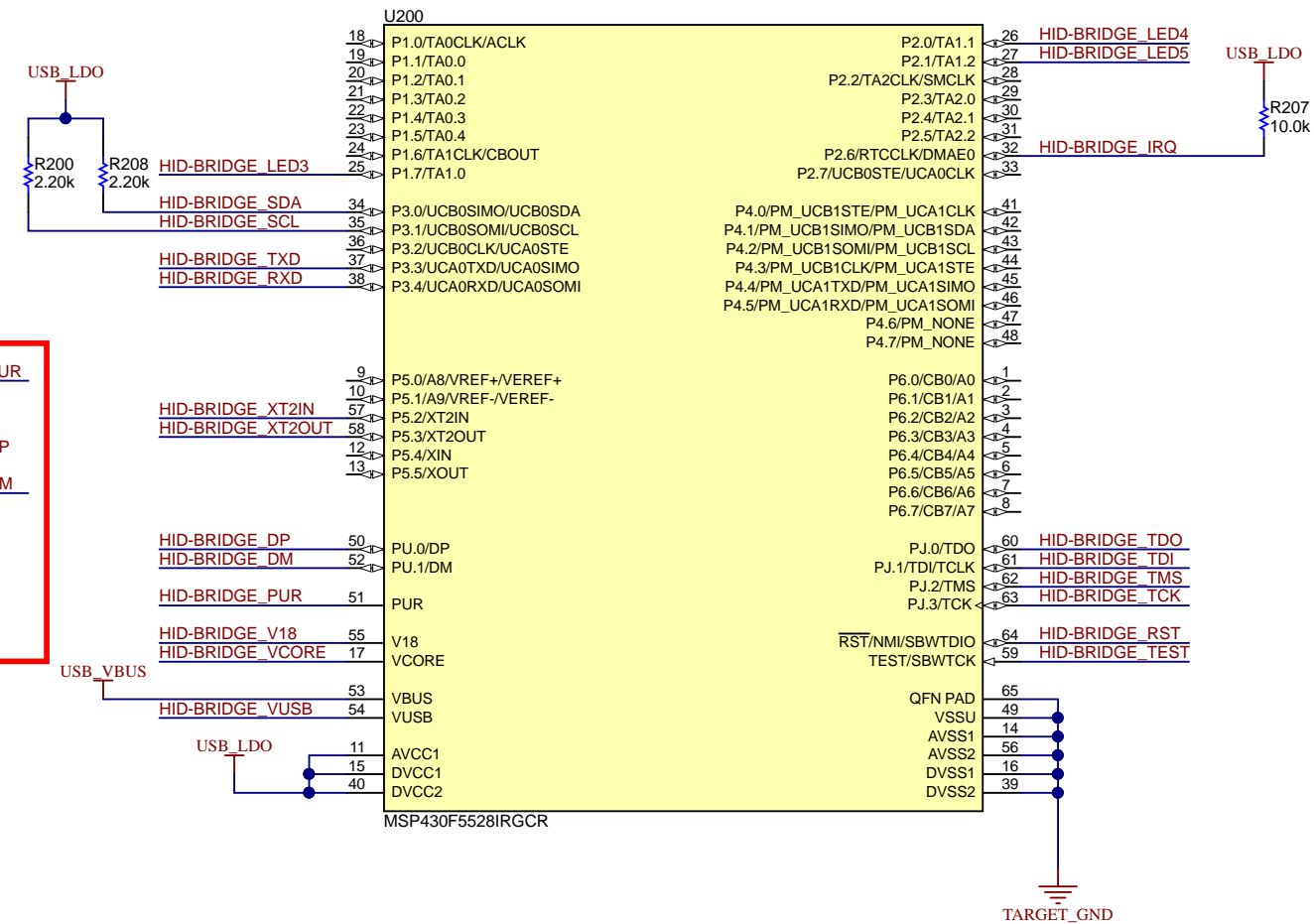
Orderable: EVM_orderable	Designed for: Public Release	Mod. Date: 5/30/2018
TID #: N/A	Project Title: EVM430-FR6043	
Number: MCU050	Rev: A	Sheet Title:
SVN Rev: Version control disabled	Assembly Variant: 002	Sheet: 3 of 7
Drawn By:	File: MCU050A_Analog-Front-End.SchDoc	Size: B
Engineer: D. Garcia	Contact: <a href="http://www.ti.com/support">http://www.ti.com/support</a>	

Texas Instruments and/or its licensors do not warrant the accuracy or completeness of this specification or any information contained therein. Texas Instruments and/or its licensors do not warrant that this design will meet the specifications, will be suitable for your application or fit for any particular purpose, or will operate in an implementation. Texas Instruments and/or its licensors do not warrant that the design is production worthy. You should completely validate and test your design implementation to confirm the system functionality for your application.



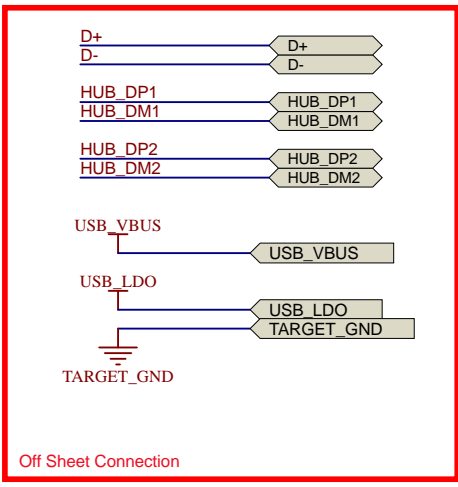
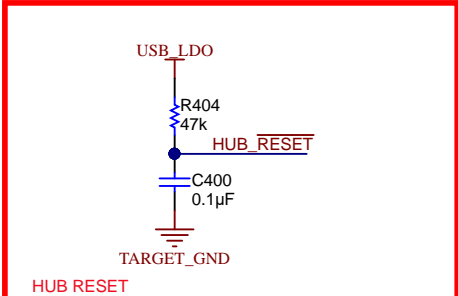
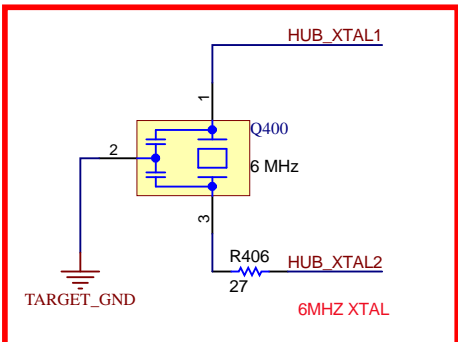
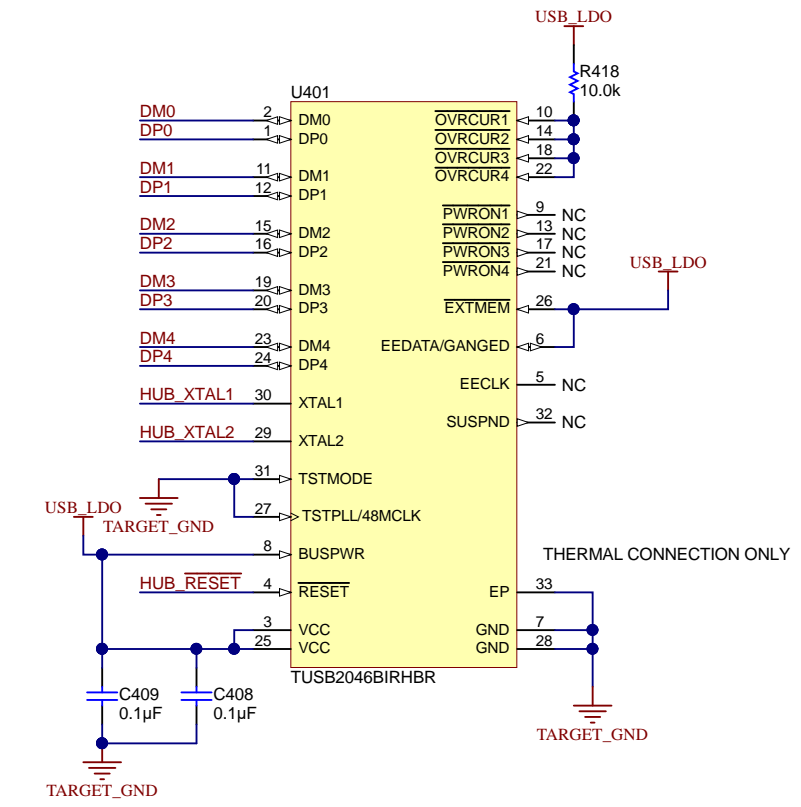
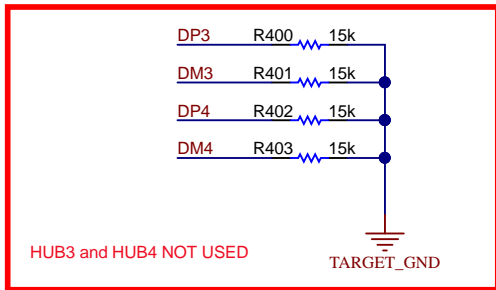
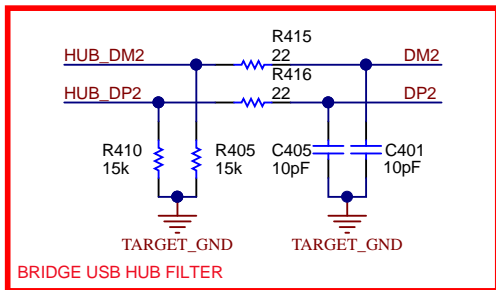
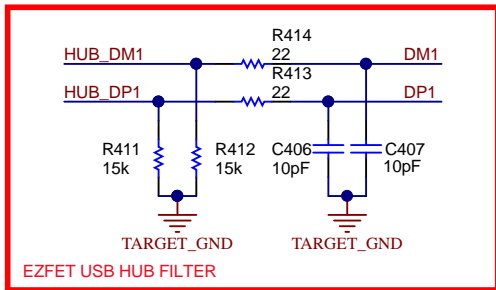
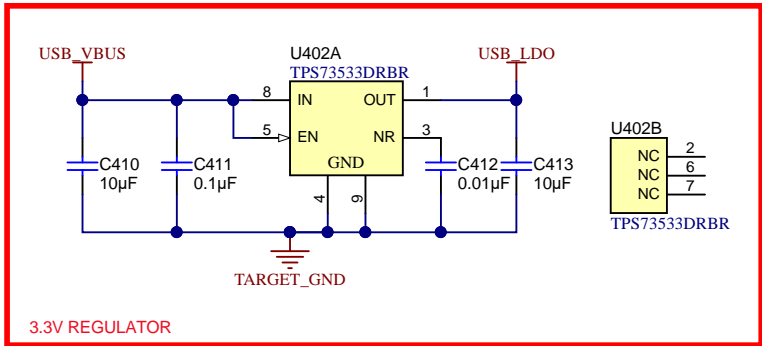
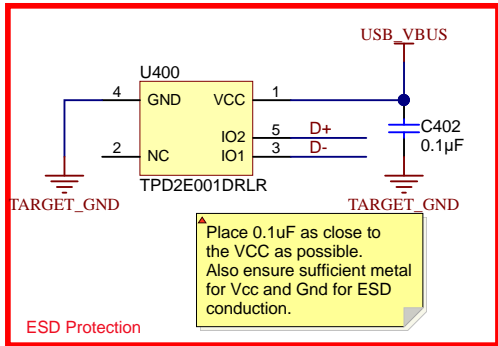
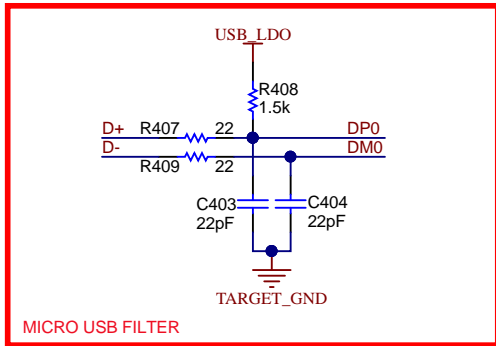


### MSP430F5528 COMMUNICATIONS HID-BRIDGE



Orderable: EVM_orderable	Designed for: Public Release	Mod. Date: 5/7/2018
TID #: N/A	Project Title: EVM430-FR6043	
Number: MCU050	Rev: A	Sheet Title:
SVN Rev: Version control disabled	Assembly Variant: 002	Sheet: 4 of 7
Drawn By:	File: MCU050A_HID_Bridge.SchDoc	Size: B
Engineer: D. Garcia	Contact: http://www.ti.com/support	

Texas Instruments and/or its licensors do not warrant the accuracy or completeness of this specification or any information contained therein. Texas Instruments and/or its licensors do not warrant that this design will meet the specifications, will be suitable for your application or fit for any particular purpose, or will operate in an implementation. Texas Instruments and/or its licensors do not warrant that the design is production worthy. You should completely validate and test your design implementation to confirm the system functionality for your application.



Texas Instruments and/or its licensors do not warrant the accuracy or completeness of this specification or any information contained therein. Texas Instruments and/or its licensors do not warrant that this design will meet the specifications, will be suitable for your application or fit for any particular purpose, or will operate in an implementation. Texas Instruments and/or its licensors do not warrant that the design is production worthy. You should completely validate and test your design implementation to confirm the system functionality for your application.



H1 SJ-5303 (CLEAR) H2 SJ-5303 (CLEAR) H3 SJ-5303 (CLEAR) H4 SJ-5303 (CLEAR)

Logo1  
PCB  
LOGO  
Texas Instruments

Logo2  
PCB  
LOGO  
FCC disclaimer

Logo4  
PCB  
LOGO  
WEEE logo

PCB Number: MCU050  
PCB Rev: A

FID1  
DNP  
Fiducial

FID2  
DNP  
Fiducial

FID3  
DNP  
Fiducial

LOGO3  
CE Mark

SH-J1 SH-J2 SH-J3 SH-J4 SH-J5 SH-J6 SH-J7 SH-J8 SH-J9 SH-J10 SH-J11 SH-J12 SH-J13 SH-J14 SH-J15 SH-J16 SH-J17 SH-J18  


LBL1  
PCB Label  
THT-14-423-10  
Size: 0.65" x 0.20 "

ZZ1  
Label Assembly Note  
This Assembly Note is for PCB labels only

ZZ2  
Assembly Note  
These assemblies are ESD sensitive, ESD precautions shall be observed.

ZZ3  
Assembly Note  
These assemblies must be clean and free from flux and all contaminants. Use of no clean flux is not acceptable.

ZZ4  
Assembly Note  
These assemblies must comply with workmanship standards IPC-A-610 Class 2, unless otherwise specified.

Variant/Label Table	
Variant	Label Text
001	EVM430-FR6043

## IMPORTANT NOTICE AND DISCLAIMER

TI PROVIDES TECHNICAL AND RELIABILITY DATA (INCLUDING DATASHEETS), DESIGN RESOURCES (INCLUDING REFERENCE DESIGNS), APPLICATION OR OTHER DESIGN ADVICE, WEB TOOLS, SAFETY INFORMATION, AND OTHER RESOURCES "AS IS" AND WITH ALL FAULTS, AND DISCLAIMS ALL WARRANTIES, EXPRESS AND IMPLIED, INCLUDING WITHOUT LIMITATION ANY IMPLIED WARRANTIES OF MERCHANTABILITY, FITNESS FOR A PARTICULAR PURPOSE OR NON-INFRINGEMENT OF THIRD PARTY INTELLECTUAL PROPERTY RIGHTS.

These resources are intended for skilled developers designing with TI products. You are solely responsible for (1) selecting the appropriate TI products for your application, (2) designing, validating and testing your application, and (3) ensuring your application meets applicable standards, and any other safety, security, or other requirements. These resources are subject to change without notice. TI grants you permission to use these resources only for development of an application that uses the TI products described in the resource. Other reproduction and display of these resources is prohibited. No license is granted to any other TI intellectual property right or to any third party intellectual property right. TI disclaims responsibility for, and you will fully indemnify TI and its representatives against, any claims, damages, costs, losses, and liabilities arising out of your use of these resources.

TI's products are provided subject to TI's Terms of Sale ([www.ti.com/legal/termsofsale.html](http://www.ti.com/legal/termsofsale.html)) or other applicable terms available either on [ti.com](http://ti.com) or provided in conjunction with such TI products. TI's provision of these resources does not expand or otherwise alter TI's applicable warranties or warranty disclaimers for TI products.

Mailing Address: Texas Instruments, Post Office Box 655303, Dallas, Texas 75265  
Copyright © 2019, Texas Instruments Incorporated