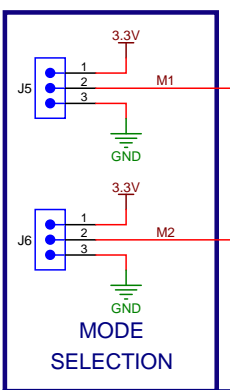
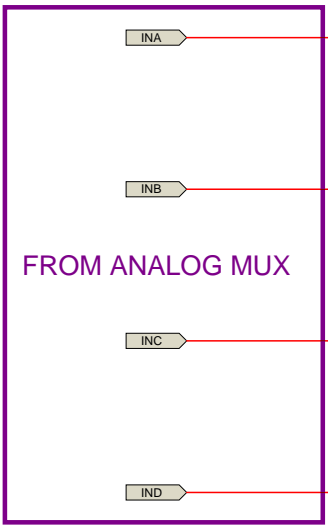


Orderable: TPA3245EVM	Designed for: Public Release	Mod. Date: 8/24/2016
TID #: N/A	Project Title: TPA3245DDV EVALUATION MODULE	
Number: AAP072	Rev: B	Sheet Title: ANALOG I/O
SVN Rev: Version control disabled	Assembly Variant: 001	Sheet: 2 of 5
Drawn By: LDN	File: AAP072B_ANA-MUX.SchDoc	Size: B
Engineer: MATT BEARDSWORTH	Contact: <a href="http://www.ti.com/support">http://www.ti.com/support</a>	

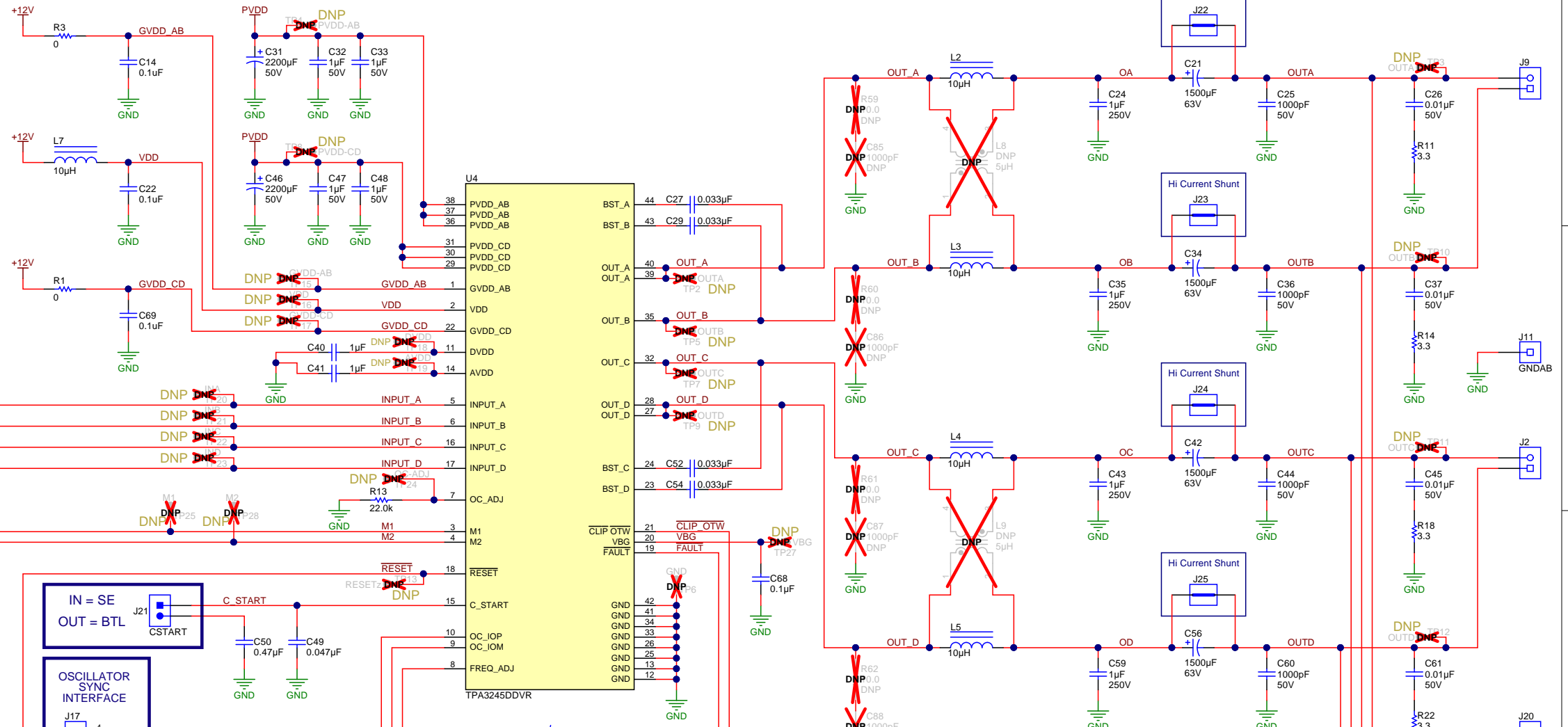
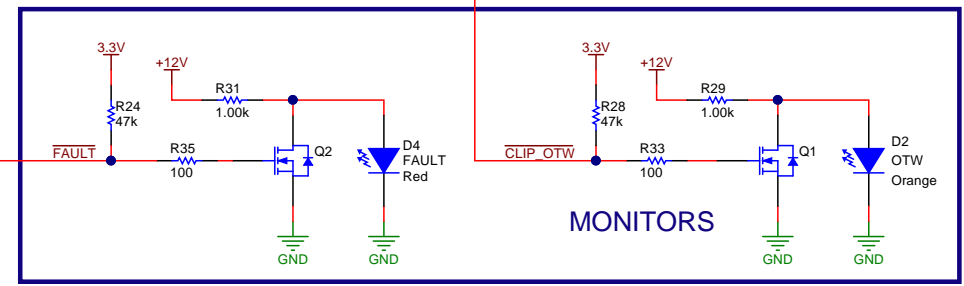
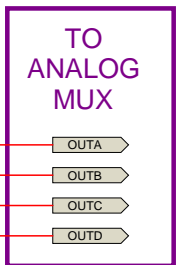
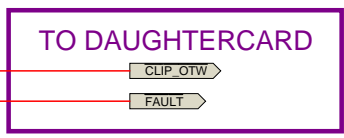
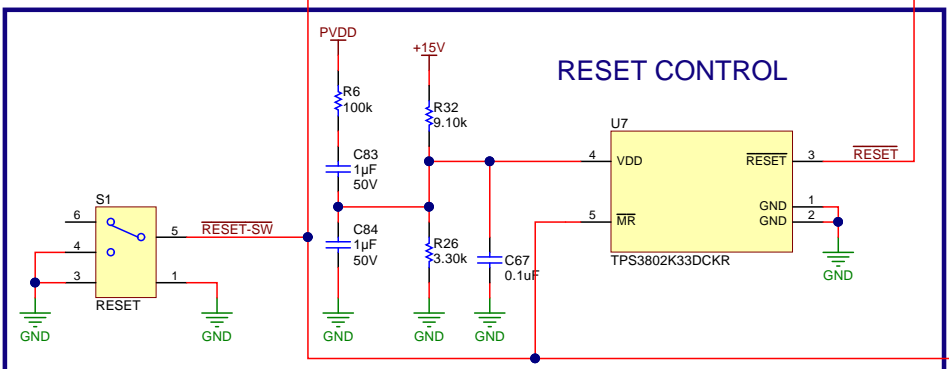
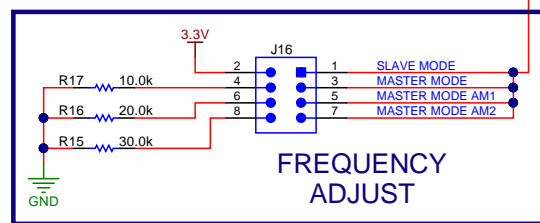
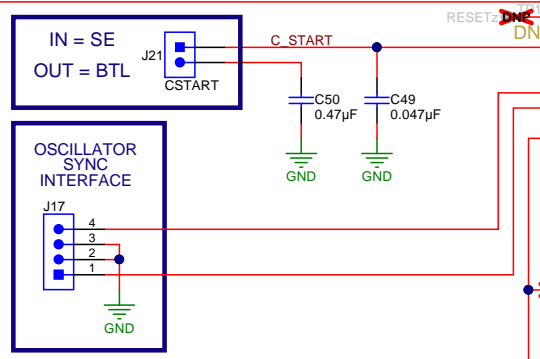
Texas Instruments and/or its licensors do not warrant the accuracy or completeness of this specification or any information contained therein. Texas Instruments and/or its licensors do not warrant that this design will meet the specifications, will be suitable for your application or fit for any particular purpose, or will operate in an implementation. Texas Instruments and/or its licensors do not warrant that the design is production worthy. You should completely validate and test your design implementation to confirm the system functionality for your application.

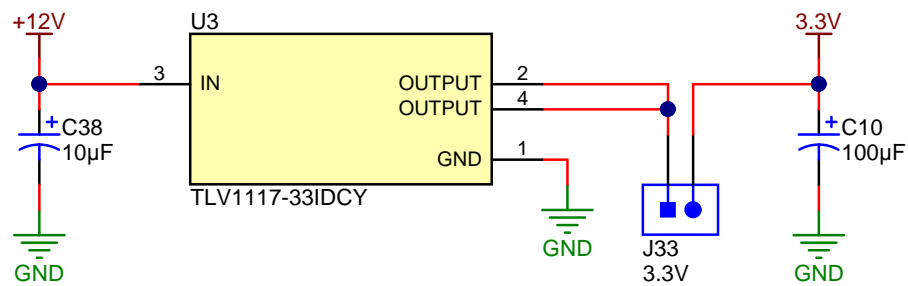
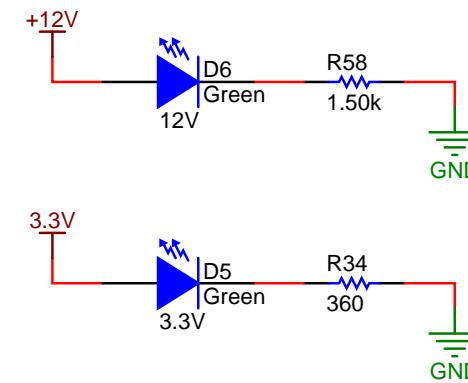
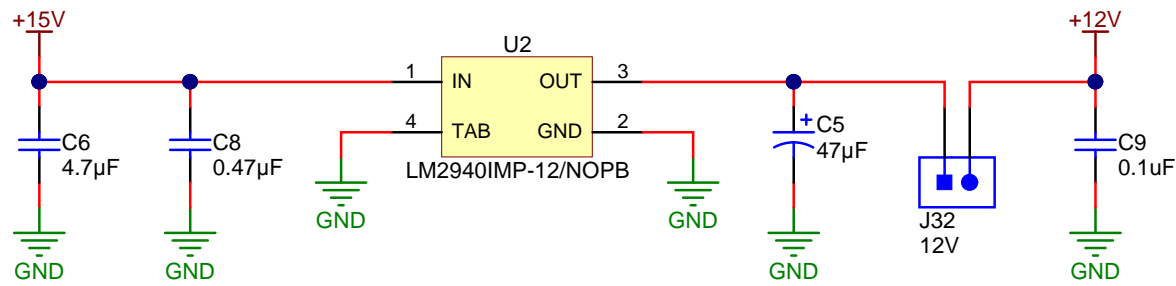
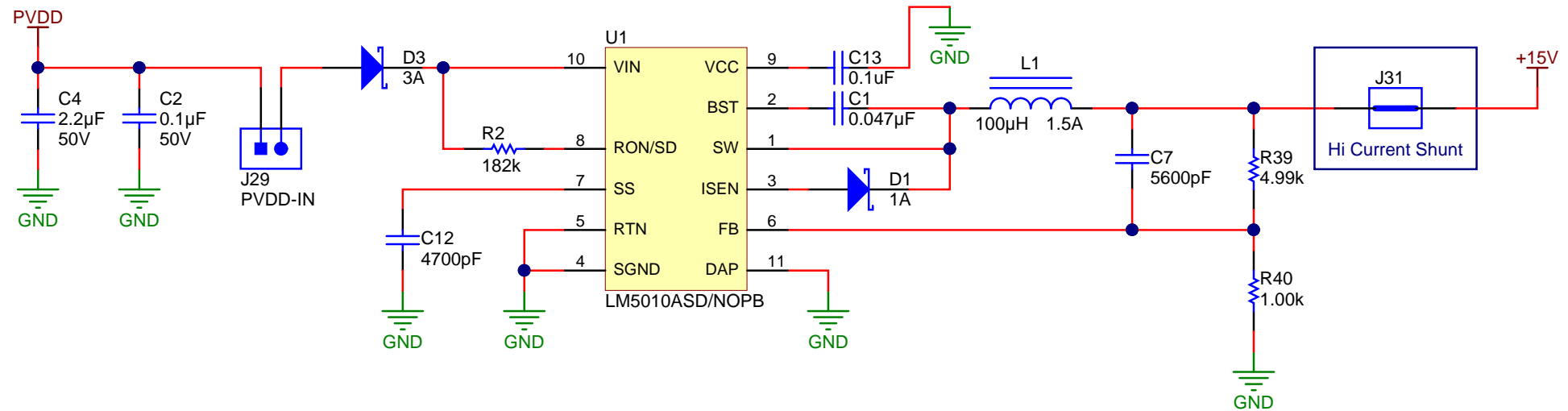
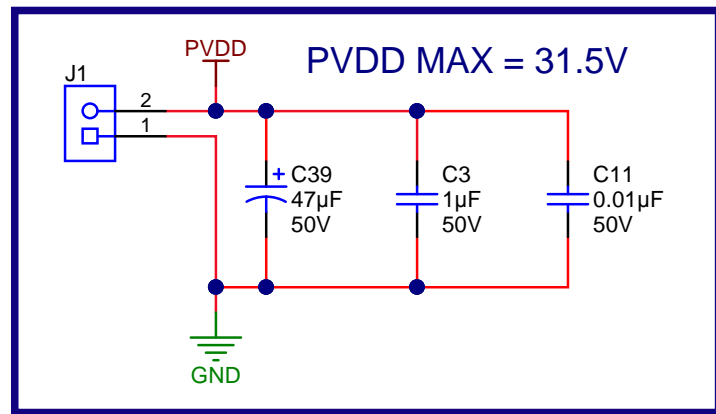




**MODE PIN SELECTION**

M2	M1	INPUT MODE	OUTPUT	DESCRIPTION
0	0	2N + 1	2xBTL	STEREO BTL OUTPUT, AD MODE
0	1	2N/1N + 1	1xBTL + 2xSE	2.1 BTL + SE MODE, AD MODE
1	0	2N + 1	1xPBTL	PARALLEL BTL OUTPUT, AD MODE
1	1	1N + 1	4xSE	SINGLE ENDED OUTPUT, AD MODE





Texas Instruments and/or its licensors do not warrant the accuracy or completeness of this specification or any information contained therein. Texas Instruments and/or its licensors do not warrant that this design will meet the specifications, will be suitable for your application or fit for any particular purpose, or will operate in an implementation. Texas Instruments and/or its licensors do not warrant that the design is production worthy. You should completely validate and test your design implementation to confirm the system functionality for your application.

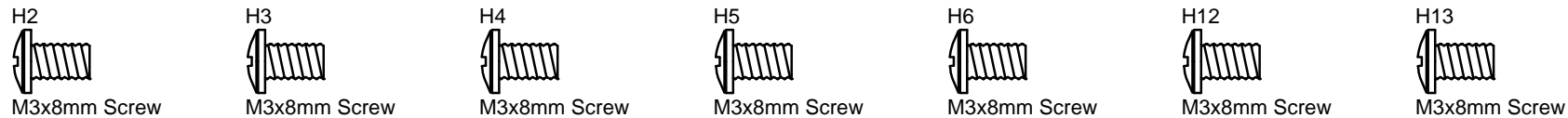
Number: AAP072  
 SVN Rev: Version control disabled  
 Drawn By: LDN  
 Engineer: MATT BEARDSWORTH  
 Sheet: 4 of 5

Designed for: Public Release  
 Project Title: TPA3245DDV EVALUATION MODULE  
 Sheet Title: POWER SUPPLIES  
 Assembly Variant: 001  
 File: AAP072B\_PowerSupplies.SchDoc  
 Contact: <http://www.ti.com/support>

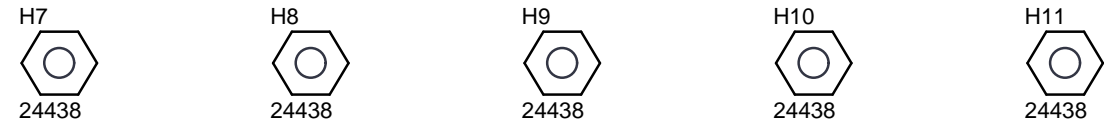
Mod. Date: 8/22/2016  
 Size: AB  
 Rev: B



A



B



PCB Number: AAP072  
 PCB Rev: B

PCB LOGO  
 Texas Instruments

PCB LOGO  
 Pb-Free Symbol

PCB LOGO  
 FCC disclaimer

C

ZZ1  
 Assembly Note  
 These assemblies are ESD sensitive, ESD precautions shall be observed.

ZZ2  
 Assembly Note  
 These assemblies must be clean and free from flux and all contaminants. Use of no clean flux is not acceptable.

ZZ3  
 Assembly Note  
 These assemblies must comply with workmanship standards IPC-A-610 Class 2, unless otherwise specified.

D

**SHUNTS**

SH1 SH2 SH3 SH4 SH5  
 SH6 SH7 SH8 SH9 SH10  
 SH11 SH12 SH13

E

Texas Instruments and/or its licensors do not warrant the accuracy or completeness of this specification or any information contained therein. Texas Instruments and/or its licensors do not warrant that this design will meet the specifications, will be suitable for your application or fit for any particular purpose, or will operate in an implementation. Texas Instruments and/or its licensors do not warrant that the design is production worthy. You should completely validate and test your design implementation to confirm the system functionality for your application.

Number: <a href="#">AAP072</a>	Designed for: <a href="#">Public Release</a>
SVN Rev: Version control disabled	Project Title: <a href="#">TPA3245DDV EVALUATION MODULE</a>
Drawn By: <a href="#">LDN</a>	Sheet Title: <a href="#">HARDWARE</a>
Engineer: <a href="#">MATT BEARDSWORTH</a>	Assembly Variant: <a href="#">001</a>
File: <a href="#">AAP072B_EVM_Hardware.SchDoc</a>	Mod. Date: <a href="#">8/22/2016</a>
Sheet: <a href="#">5</a> of <a href="#">5</a>	Contact: <a href="http://www.ti.com/support">http://www.ti.com/support</a>
	Size: <a href="#">AB</a>
	Rev: <a href="#">B</a>



## IMPORTANT NOTICE

Texas Instruments Incorporated and its subsidiaries (TI) reserve the right to make corrections, enhancements, improvements and other changes to its semiconductor products and services per JESD46, latest issue, and to discontinue any product or service per JESD48, latest issue. Buyers should obtain the latest relevant information before placing orders and should verify that such information is current and complete. All semiconductor products (also referred to herein as "components") are sold subject to TI's terms and conditions of sale supplied at the time of order acknowledgment.

TI warrants performance of its components to the specifications applicable at the time of sale, in accordance with the warranty in TI's terms and conditions of sale of semiconductor products. Testing and other quality control techniques are used to the extent TI deems necessary to support this warranty. Except where mandated by applicable law, testing of all parameters of each component is not necessarily performed.

TI assumes no liability for applications assistance or the design of Buyers' products. Buyers are responsible for their products and applications using TI components. To minimize the risks associated with Buyers' products and applications, Buyers should provide adequate design and operating safeguards.

TI does not warrant or represent that any license, either express or implied, is granted under any patent right, copyright, mask work right, or other intellectual property right relating to any combination, machine, or process in which TI components or services are used. Information published by TI regarding third-party products or services does not constitute a license to use such products or services or a warranty or endorsement thereof. Use of such information may require a license from a third party under the patents or other intellectual property of the third party, or a license from TI under the patents or other intellectual property of TI.

Reproduction of significant portions of TI information in TI data books or data sheets is permissible only if reproduction is without alteration and is accompanied by all associated warranties, conditions, limitations, and notices. TI is not responsible or liable for such altered documentation. Information of third parties may be subject to additional restrictions.

Resale of TI components or services with statements different from or beyond the parameters stated by TI for that component or service voids all express and any implied warranties for the associated TI component or service and is an unfair and deceptive business practice. TI is not responsible or liable for any such statements.

Buyer acknowledges and agrees that it is solely responsible for compliance with all legal, regulatory and safety-related requirements concerning its products, and any use of TI components in its applications, notwithstanding any applications-related information or support that may be provided by TI. Buyer represents and agrees that it has all the necessary expertise to create and implement safeguards which anticipate dangerous consequences of failures, monitor failures and their consequences, lessen the likelihood of failures that might cause harm and take appropriate remedial actions. Buyer will fully indemnify TI and its representatives against any damages arising out of the use of any TI components in safety-critical applications.

In some cases, TI components may be promoted specifically to facilitate safety-related applications. With such components, TI's goal is to help enable customers to design and create their own end-product solutions that meet applicable functional safety standards and requirements. Nonetheless, such components are subject to these terms.

No TI components are authorized for use in FDA Class III (or similar life-critical medical equipment) unless authorized officers of the parties have executed a special agreement specifically governing such use.

Only those TI components which TI has specifically designated as military grade or "enhanced plastic" are designed and intended for use in military/aerospace applications or environments. Buyer acknowledges and agrees that any military or aerospace use of TI components which have **not** been so designated is solely at the Buyer's risk, and that Buyer is solely responsible for compliance with all legal and regulatory requirements in connection with such use.

TI has specifically designated certain components as meeting ISO/TS16949 requirements, mainly for automotive use. In any case of use of non-designated products, TI will not be responsible for any failure to meet ISO/TS16949.

### Products

Audio	<a href="http://www.ti.com/audio">www.ti.com/audio</a>
Amplifiers	<a href="http://amplifier.ti.com">amplifier.ti.com</a>
Data Converters	<a href="http://dataconverter.ti.com">dataconverter.ti.com</a>
DLP® Products	<a href="http://www.dlp.com">www.dlp.com</a>
DSP	<a href="http://dsp.ti.com">dsp.ti.com</a>
Clocks and Timers	<a href="http://www.ti.com/clocks">www.ti.com/clocks</a>
Interface	<a href="http://interface.ti.com">interface.ti.com</a>
Logic	<a href="http://logic.ti.com">logic.ti.com</a>
Power Mgmt	<a href="http://power.ti.com">power.ti.com</a>
Microcontrollers	<a href="http://microcontroller.ti.com">microcontroller.ti.com</a>
RFID	<a href="http://www.ti-rfid.com">www.ti-rfid.com</a>
OMAP Applications Processors	<a href="http://www.ti.com/omap">www.ti.com/omap</a>
Wireless Connectivity	<a href="http://www.ti.com/wirelessconnectivity">www.ti.com/wirelessconnectivity</a>

### Applications

Automotive and Transportation	<a href="http://www.ti.com/automotive">www.ti.com/automotive</a>
Communications and Telecom	<a href="http://www.ti.com/communications">www.ti.com/communications</a>
Computers and Peripherals	<a href="http://www.ti.com/computers">www.ti.com/computers</a>
Consumer Electronics	<a href="http://www.ti.com/consumer-apps">www.ti.com/consumer-apps</a>
Energy and Lighting	<a href="http://www.ti.com/energy">www.ti.com/energy</a>
Industrial	<a href="http://www.ti.com/industrial">www.ti.com/industrial</a>
Medical	<a href="http://www.ti.com/medical">www.ti.com/medical</a>
Security	<a href="http://www.ti.com/security">www.ti.com/security</a>
Space, Avionics and Defense	<a href="http://www.ti.com/space-avionics-defense">www.ti.com/space-avionics-defense</a>
Video and Imaging	<a href="http://www.ti.com/video">www.ti.com/video</a>

### TI E2E Community

[e2e.ti.com](http://e2e.ti.com)