

Clarity Clear Voice Capture (CVC) Hands-Free Kit Suite of Application Reports

*Texas Instruments
Clarity Technologies*

HFK DP Software Applications

ABSTRACT

Clarity Clear Voice Capture Hands-Free Kit (CVC-HFK®) is an eXpressDSP-compliant, acoustic echo and noise suppression algorithm suite. The user is allowed to fully customize the performance of the system, by adjusting the parameters which control the adaptation of the algorithms. This document describes the functionality of each parameter and the system-level design requirements that must be met to integrate the CVC-HFK and achieve optimal performance levels.

Contents

1	Overview	1
2	System Signal Requirements	4
3	User Adjustable Parameters	4

List of Figures

Figure 1.	Generic Hands-Free DSP Circuit	2
Figure 2.	Processing Flow Diagram	3

List of Tables

Table 1.	CVC-HFK Functions	3
----------	-------------------------	---

1 Overview

The CVC-HFK is available as a TMS320C54x™ eXpressDSP-compliant library that can be integrated into hands free applications to achieve near Type I acoustic echo cancellation performance.

Figure 1 shows a typical DSP circuit configuration that would be used to implement the hands-free kit. The CVC-HFK requires two audio inputs and provides one audio output, and is parameterized, which allows the DSP sub-circuit to be configured by an external microprocessor.

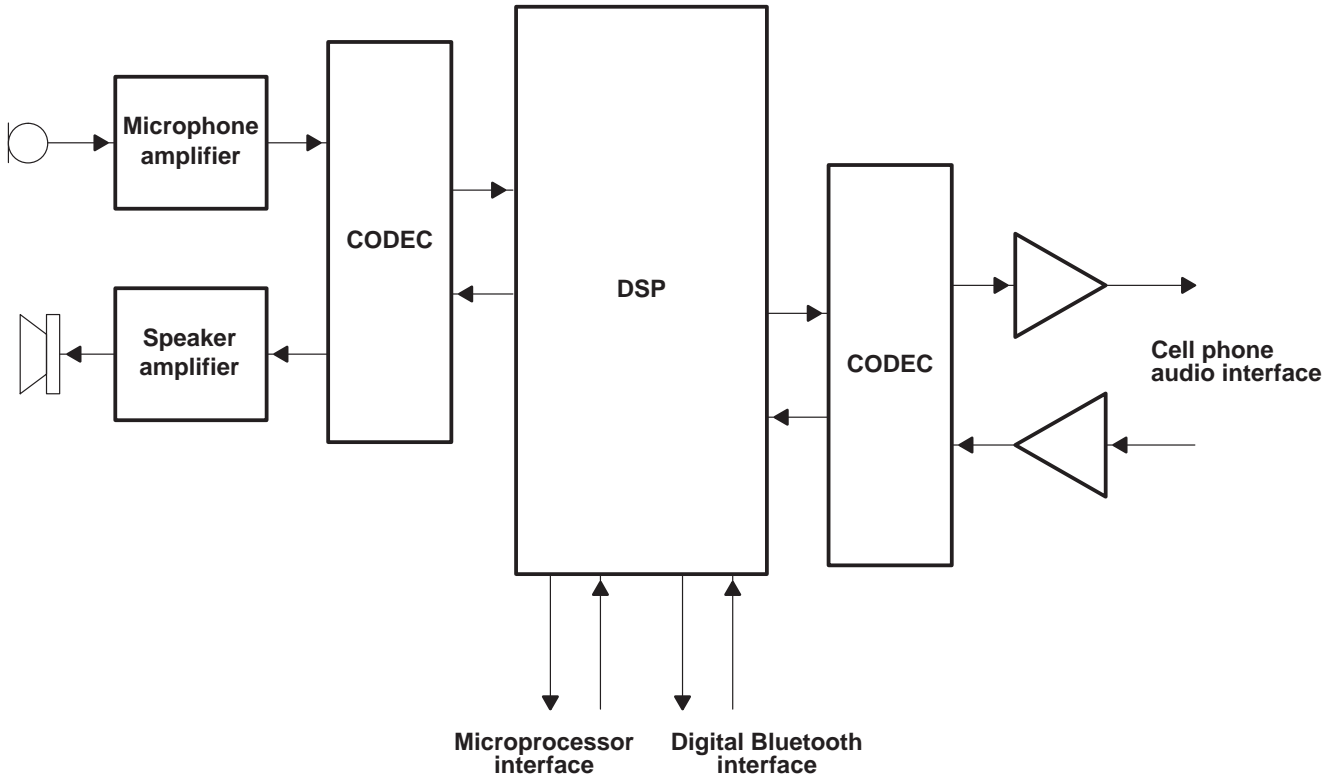


Figure 1. Generic Hands-Free DSP Circuit

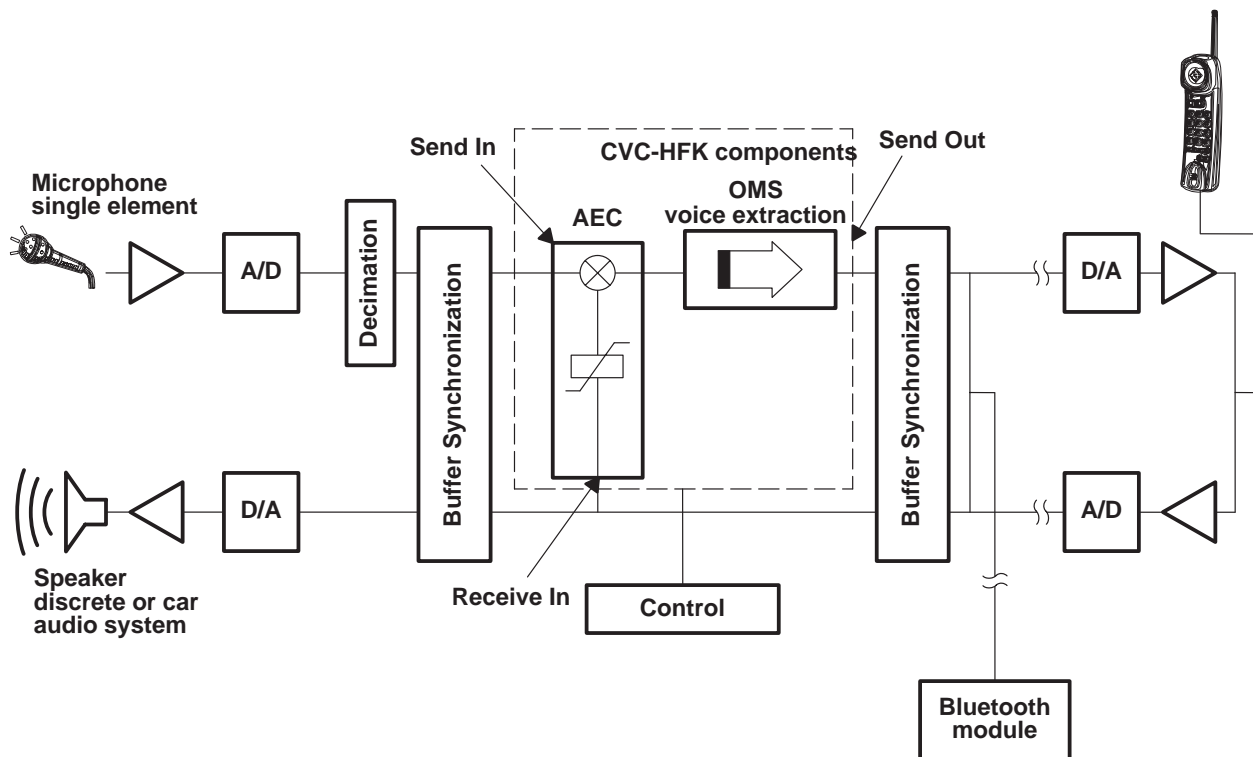


Figure 2. Processing Flow Diagram

Figure 2 shows the CVC-HFK system audio processing flow with the CVC-HFK suite in a typical configuration. The hands-free kit requires a framework which includes a codec driver and parameter control to interface to the codec and external processing functions. The Send In, Send Out, and Receive In points shown in Figure 2 for the audio path, correspond to the pointers described in Table 1. The code is shown here:

```
void HFK_CLARITY_process (IHFK_Handle handle, XDAS_Int16 *input, XDAS_Int16
*reference, XDAS_Int16 *output);
```

Table 1. CVC-HFK Functions

Parameter	Type	Description
Handle	IHFK_Handle	Handle for instance of algorithm.
input	XDAS_Int16 *	Pointer to 32 sample input buffer (Send In– from MIC)
reference	XDAS_Int16 *	Pointer to 32 sample input buffer (Receive In – from PHONE)
output	XDAS_Int16 *	Pointer to 32 sample output buffer (Send Out – to PHONE)

To achieve acceptable performance, careful attention must be paid to the system gains, frequency response, and distortion as measured at the Send IN, Send Out, Receive In, and Receive Out points.

2 System Signal Requirements

To achieve optimal audio performance the audio gain levels, frequency response and system distortion must be within tolerable levels. Non-linear signal processing should not be placed in the audio path after the Receive Out point, or prior to the Send In point.

- **Frequency Response**

The frequency response measured at Send In and Receive In should be $0 \text{ dB} \pm 0.5 \text{ dB}$ (referenced to a 1 kHz 80% full scale sine wave at the codec), from 200 Hz to 3.6 kHz (flat frequency response), and have a minimum of a second-order analog roll-off from 0–200 Hz before the A/D converter. For optimal voice quality, the microphone signal should be sampled at 16 kHz and decimated by 2 kHz – 8 kHz to obtain a flat frequency response up to 3.6 kHz, if the anti-aliasing filters of the chosen A/D converter do not provide a satisfactory response. The anti-aliasing filter should provide a minimum of 40 dB attenuation at the sub-sampled Nyquist rate.

- **THD+N**

The harmonic distortion measured between Receive In and Send In must be minimized to achieve optimal performance. The maximum achievable echo return loss is primarily limited by the distortion created in the system between the Receive In point and the Send In point. The maximum achievable Echo Return Loss Enhancement is directly proportional to the distortion introduced in the Receive In to Send In path. Other non linear components such as fast time constant dynamic gain and equalization, and audio effects such as concert halls, must not be placed in the audio path after the Receive In point.

- **Electrical Noise Floor**

The electrical noise floor of the system should be less than -65 dB referenced to an 80% full scale sine wave at 1 kHz.

- **Gain Levels For Speaker Reference (Receive In)**

Nominal speech should measure at 50% of a full scale 16-bit two's complement number at the Receive In point.

- **Gain Levels For Microphone Input (Send In)**

Nominal speech should measure at 50% of a full scale 16-bit two's complement number at the Send In point.

- **Gain Levels For Microphone Output (Send Out)**

Send Out gain levels of the CVC-HFK are set by the configurable parameters according to the system needs.

3 User Adjustable Parameters

- **Aggressiveness**

The CVC-HFK provides a means to increase/decrease Send Out noise cancellation aggressiveness according to the desired noise suppression and voice quality preferences. The normal usable range is from 0 to 32767. The more aggressive the value, the greater the noise suppression. However, voice quality will degrade as the noise suppression level is increased.

IMPORTANT NOTICE

Texas Instruments Incorporated and its subsidiaries (TI) reserve the right to make corrections, modifications, enhancements, improvements, and other changes to its products and services at any time and to discontinue any product or service without notice. Customers should obtain the latest relevant information before placing orders and should verify that such information is current and complete. All products are sold subject to TI's terms and conditions of sale supplied at the time of order acknowledgment.

TI warrants performance of its hardware products to the specifications applicable at the time of sale in accordance with TI's standard warranty. Testing and other quality control techniques are used to the extent TI deems necessary to support this warranty. Except where mandated by government requirements, testing of all parameters of each product is not necessarily performed.

TI assumes no liability for applications assistance or customer product design. Customers are responsible for their products and applications using TI components. To minimize the risks associated with customer products and applications, customers should provide adequate design and operating safeguards.

TI does not warrant or represent that any license, either express or implied, is granted under any TI patent right, copyright, mask work right, or other TI intellectual property right relating to any combination, machine, or process in which TI products or services are used. Information published by TI regarding third-party products or services does not constitute a license from TI to use such products or services or a warranty or endorsement thereof. Use of such information may require a license from a third party under the patents or other intellectual property of the third party, or a license from TI under the patents or other intellectual property of TI.

Reproduction of information in TI data books or data sheets is permissible only if reproduction is without alteration and is accompanied by all associated warranties, conditions, limitations, and notices. Reproduction of this information with alteration is an unfair and deceptive business practice. TI is not responsible or liable for such altered documentation.

Resale of TI products or services with statements different from or beyond the parameters stated by TI for that product or service voids all express and any implied warranties for the associated TI product or service and is an unfair and deceptive business practice. TI is not responsible or liable for any such statements.

Following are URLs where you can obtain information on other Texas Instruments products and application solutions:

Products		Applications	
Amplifiers	amplifier.ti.com	Audio	www.ti.com/audio
Data Converters	dataconverter.ti.com	Automotive	www.ti.com/automotive
DSP	dsp.ti.com	Broadband	www.ti.com/broadband
Interface	interface.ti.com	Digital Control	www.ti.com/digitalcontrol
Logic	logic.ti.com	Military	www.ti.com/military
Power Mgmt	power.ti.com	Optical Networking	www.ti.com/opticalnetwork
Microcontrollers	microcontroller.ti.com	Security	www.ti.com/security
		Telephony	www.ti.com/telephony
		Video & Imaging	www.ti.com/video
		Wireless	www.ti.com/wireless

Mailing Address: Texas Instruments
Post Office Box 655303 Dallas, Texas 75265