

***Isolated Supply Overview and Design Trade-Offs***



Literature Number: SNVA603

# POWER | *designer*

*Expert tips, tricks, and techniques for powerful designs*

No. 124

Feature Article ..... 1-9

Comms Applications .....2



## Isolated Supply Overview and Design Trade-Offs

— By David Baba, Product Applications Engineer

### Introduction

The design of the power architecture within the communications infrastructure market consists of many trade-offs and design considerations. Multiple factors such as input and output voltage, output current, space constraints, efficiency, as well as the priority the designer places on each of these needs, determine which topology should be used. This article addresses design considerations from a topology selection perspective, providing an overview of each topology's operation and the solution that is best implemented given the system's needs and the trade-offs involved.

Basic topology descriptions are provided along with waveforms. Equations are also provided which are useful for determining RMS ripple currents and losses in the pass elements. *Note: The equations have been derived using small ripple approximation; namely, all current slopes are approximated to zero.*

### Isolated Supply Overview

Isolation is required primarily for safety. Isolated circuits are protected from potentially lethal transient voltages and currents present on the primary side of isolation. Isolation also removes ground loops that would otherwise be present in a non-isolated design. The removal of ground loops increases noise immunity of the secondary supply.

There are also proven benefits to isolation, such as the freedom to step down voltages from the primary to the secondary side. Isolation also makes it possible to create a negative supply from the primary to secondary side of the isolation transformer. Conversely, it is possible to generate a positive supply from a negative supply.

### Flyback Converter Continuous Conduction Mode (CCM) Single-Ended Topology

#### Operation of a Flyback Converter

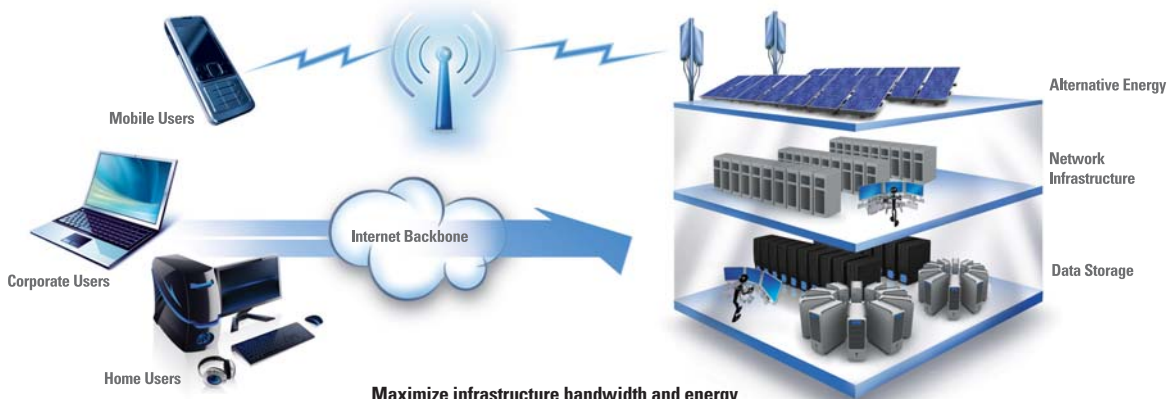
The flyback converter is a buck-boost derived topology. This means that the transfer function is of the form  $V_{OUT}/V_{IN} = D/(1-D)$  where  $D$  is a fraction of the switching period during which the main switch is on. What appears to be a transformer is actually a coupled inductor or "flyback transformer"

# High Efficiency. Low Power.

## Energy-Efficient Solutions for Communications Infrastructure

National's communications infrastructure solutions and subsystems are designed to meet the needs of wired data center, wireless base station, and merchant power systems.

- ✓ *Maximum performance with minimal heat*
- ✓ *System monitoring for increased system reliability*
- ✓ *Reference designs and online tools*



**Maximize infrastructure bandwidth and energy efficiency using National's PowerWise® solutions.**

### Wired and Data Center Applications

PowerWise® Adaptive Voltage Scaling (AVS), a closed-loop voltage optimization technology, reduces both active and standby energy consumption in digital subsystems.

### Wireless Base Station Applications

National's high dynamic range receiver subsystems enable multi-carrier and multi-standard radios.

### Merchant and Point of Load Power Solutions

National's end-to-end power management solutions maximize power density and thermal dissipation.

## Isolated Supply Overview and Design Trade-Offs

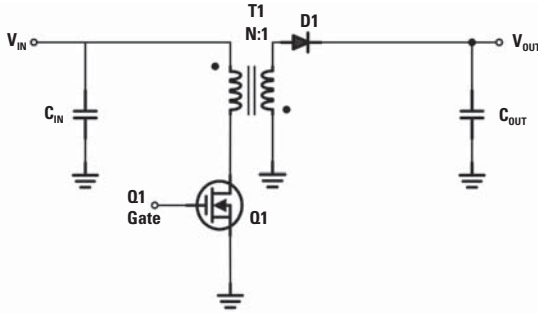


Figure 1. A Flyback Converter

since the current does not flow simultaneously in the primary and secondary. As in a traditional buck-boost topology, the output is inverted. For a positive voltage on the output, the dots are reversed as shown in *Figure 1*. When Q1 is turned on, then  $V_{IN}$  is applied across the primary of the transformer, and energy is stored in the primary winding. When Q1 turns off, this stored energy is transferred to the secondary and D1 conducts supplying energy to the load. The voltage and currents are scaled according to the turns ratio.

It should be noted that the currents in the output and input are both pulsating, and therefore the ripple current ratings for the input and output capacitors are relatively high. Additional capacitors may be needed to handle this rating in higher-power designs.

### Ideal Use of a Flyback Converter

A flyback topology is typically the first-choice topology for an isolated power supply when a simple low-cost solution is required. Flyback topologies are also very useful for generating multiple voltages. Only a single output is typically regulated, but it is straightforward to add windings to the transformer for additional voltage rails. A flyback converter is generally

acceptable up to an output level no greater than 150W. Above this power level, other topologies more suitable for greater power levels should be considered. In comparison to all of the other isolated topologies, the flyback topology uses the least components and therefore typically has the smallest footprint, particularly at low power levels. The flyback converter uses a single FET to energize the transformer, utilizes a single-output diode, and does not need an output inductor. As a result, the current to the output is discontinuous and the output voltage ripple will be greater.

$$SET D = 0.5 \quad For V_{IN} NOMINAL \quad T_{ON} = D \times T_S \quad T_{OFF} = (1 - D) \times T_S \quad n \approx 0.85$$

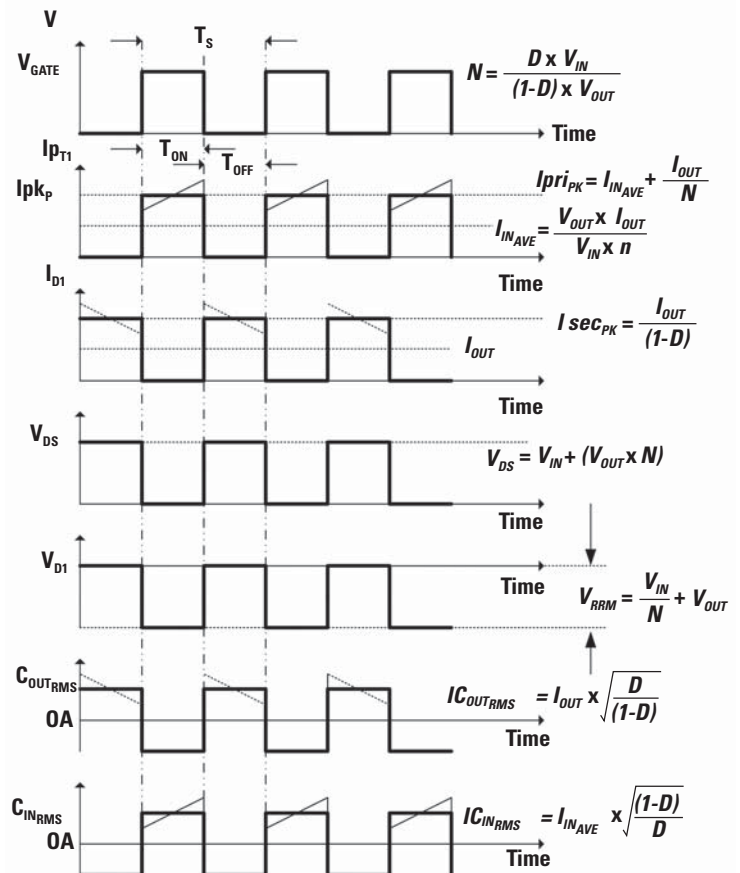


Figure 2. Flyback Converter Waveforms

## Isolated Supply Overview and Design Trade-Offs

The transformer is automatically reset by the output voltage during the off period and therefore does not require a reset winding.

### Forward Converter, Single-Ended Topology

#### Operation of a Forward Converter

The forward converter is a buck-derived topology and, as such, it has a non-pulsating output current due to the usage of an output inductor. This topology uses a reset winding ( $N_r$ ) on the transformer to reset it. When Q1 is turned on, D1 is forward biased, the voltage across the secondary is equal to  $V_{IN}/N$ , and D2 and D3 are reverse biased.  $V_{IN}$  is applied to the primary winding and the magnetizing current increases at a rate of  $V_{IN}/LM$ , where LM is the magnetizing inductance.

The maximum duty cycle is set to less than 50% if  $N_p=N_r$ . The transformer is reset during the Q1 off interval (1-D).

During the (1-D) period, Q1 is turned off but the magnetizing current must continue to flow, causing the voltage across  $N_p$  to reverse. The current commutates through D3, decreasing the magnetizing current in  $N_p$  and resetting it to zero. During this period, D1 is reverse biased and the output current then flows through D2. D2, as in a buck converter, acts as a free-wheeling diode.

#### Ideal Use of a Forward Converter

The forward converter is relatively simple compared to the bridge topologies, making it a popular choice for isolated supplies up to 200W of output power. Like the flyback converter, it uses a single FET to magnetize the primary of the transformer. However, because a forward is buck derived, the output inductor ensures continuous current flow to the output capacitor, which reduces the RMS ripple currents in it.

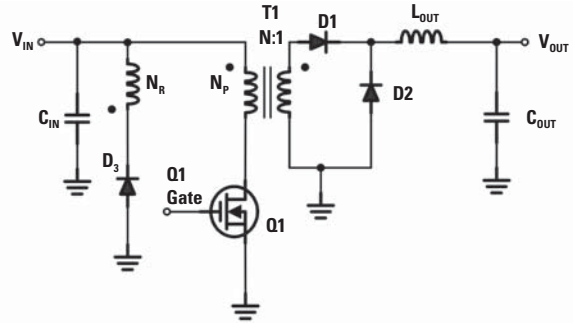


Figure 3. A Forward Converter

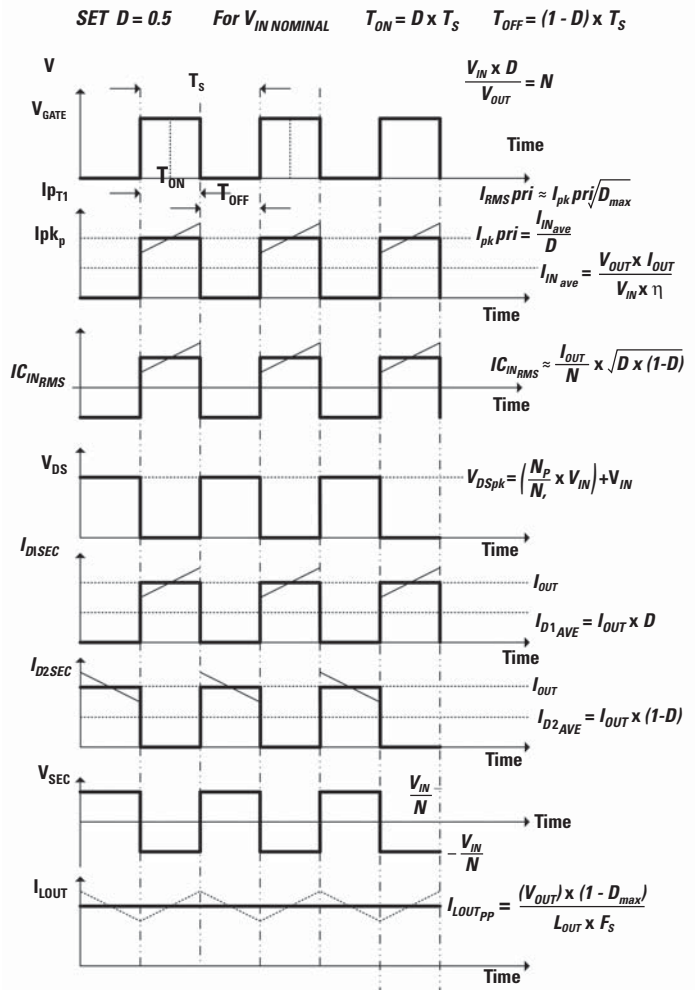


Figure 4. Forward Converter Waveforms

## Isolated Supply Overview and Design Trade-Offs

### Active-Clamp Forward Converter

#### Operation of an Active-Clamp Forward Converter

During the on (D) period,  $V_{IN}$  is applied to the primary of the transformer. The voltage on the secondary is  $V_{IN}/N$  and the magnetizing current increases at a rate of  $V_{IN}/LM$ .

During the (1-D) interval, Q1 turns off and Q2 turns on. The magnetizing current continues to flow in the same direction, but now it flows through Q2. Due to the volt-second balance of the transformer,  $V_{IN}/(1-D)$  is seen across the C-clamp capacitor (also referred to as the reset voltage). The voltage across the primary and the magnetizing inductance is now reversed and the magnetizing current in the primary now ramps down to a negative value since  $V_{IN}/(1-D)$  is larger than  $V_{IN}$ . Due to the volt-second balance of the flux, this completely resets the magnetizing current to where it was at the start of the switching period.

It is important to note that synchronous FETs replace the diodes in the forward configuration. This highlights one advantage of the active clamp forward; namely, it lends itself well to self-driven synchronous rectification. Unlike a typical forward, the active clamp drives the sync FETs over the complete switching period, yielding greater efficiencies.

As a cautionary note, the benefits of synchronous rectification diminishes as the  $V_{OUT}$  increases beyond 12V due to switching losses, thereby increasing total FET losses.

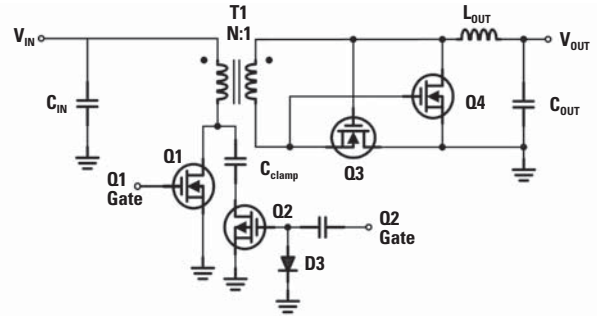


Figure 5. An Active-Clamp Forward Converter

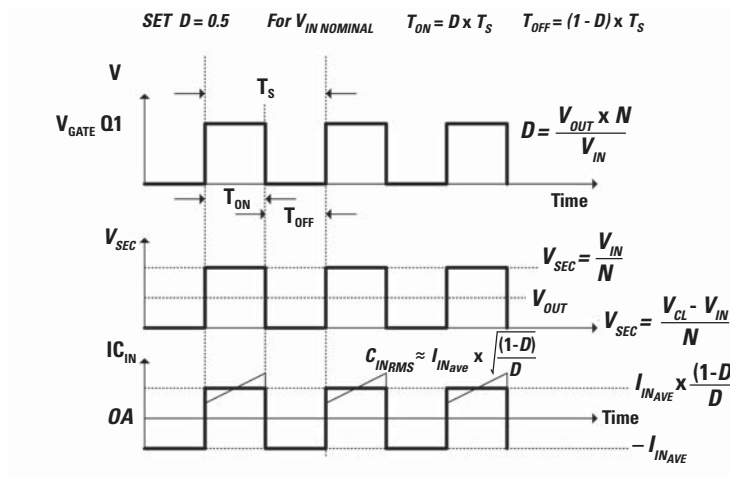
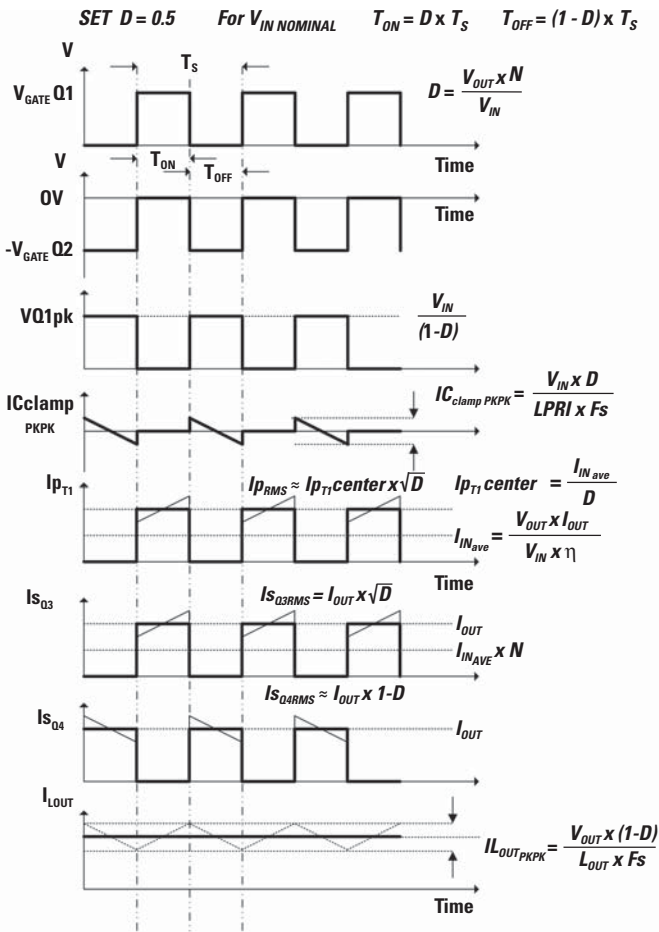


Figure 6. Active-Clamp Forward Converter Waveforms

## Isolated Supply Overview and Design Trade-Offs



**Figure 7. Active-Clamp Forward Converter Waveforms (Continued)**

### Ideal Use of an Active-Clamp Forward Converter

The addition of the active clamp to the forward converter allows the realization of greater efficiencies through the use of synchronous FETs, the elimination of switching losses in the primary FET due to zero voltage switching (ZVS), and the non-dissipative reset of the transformer recycling the leakage inductive energy back to the input. Another benefit is lower EMI due to soft switching which makes this topology an ideal choice for low-noise applications.

### Push-Pull Converter

#### Operation of a Push-Pull Converter

The push-pull converter is essentially an interleaved forward converter whose primary winding is made up of a center-tapped transformer. The push-pull converter is prone to flux imbalance problems and therefore current-mode control, rather than voltage-mode control, is recommended. The transformer for a given output power is smaller than that of a forward converter since the core is utilized in Quadrant 1 and 3 of the BH-loop curve.

Q1 conducts during the D period followed by Q2 conducting for an identical length of time during another D period, attaining volt-second balance on the primary winding. During the 1-D period, both FETs are off. The 1-D period follows each of the respective D periods. During the two D periods,  $V_{IN}$  is seen from the center tap to the drain of its respective FET. The non-conducting winding will see a reversal in voltage to maintain volt-second balancing, yielding twice the input voltage across the total primary-side winding and as seen by the drain of the non-conducting FET. The same voltage is seen on each half of the secondary, during each D period - scaled by a factor of N. The diodes provide rectification of each of the two D periods, producing a  $2 \times F_{SW}$  pulsating voltage waveform at the left side of  $L_{OUT}$ , from 0V to  $V_{IN} \times D/N$ . The diode D1 conducts during the same D period that Q2 conducts. The diode D2 conducts during the same D period that Q1 conducts. It should be noted that during the two 1-D periods, neither Q1 nor Q2 is on, and diodes D1 and D2 both conduct to maintain current flowing into  $L_{OUT}$ . As is the case with the buck converter during the (1-D) period, D1 and D2 conduct simultaneously and act as the free-wheeling pass element.

## Isolated Supply Overview and Design Trade-Offs

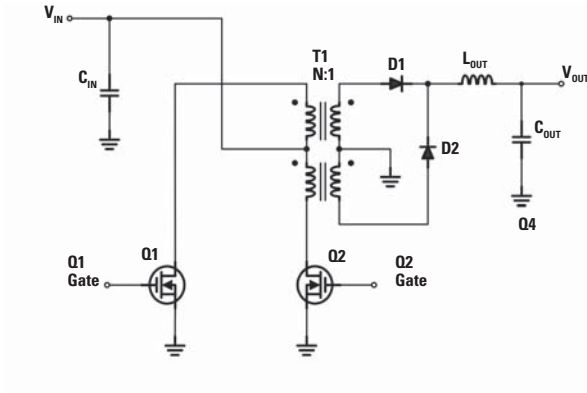


Figure 8. A Push-Pull Converter

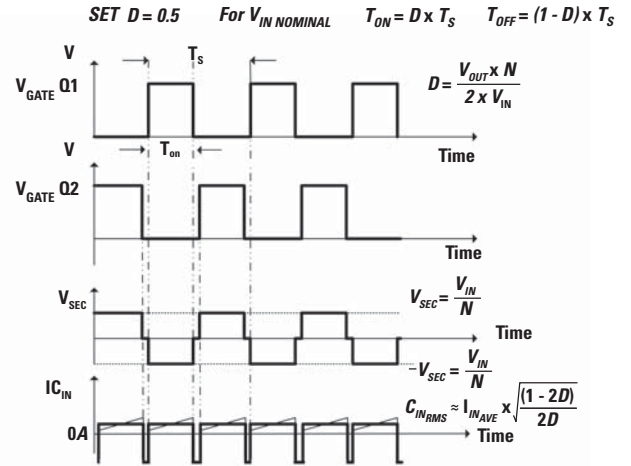


Figure 9. Push-Pull Converter Waveforms

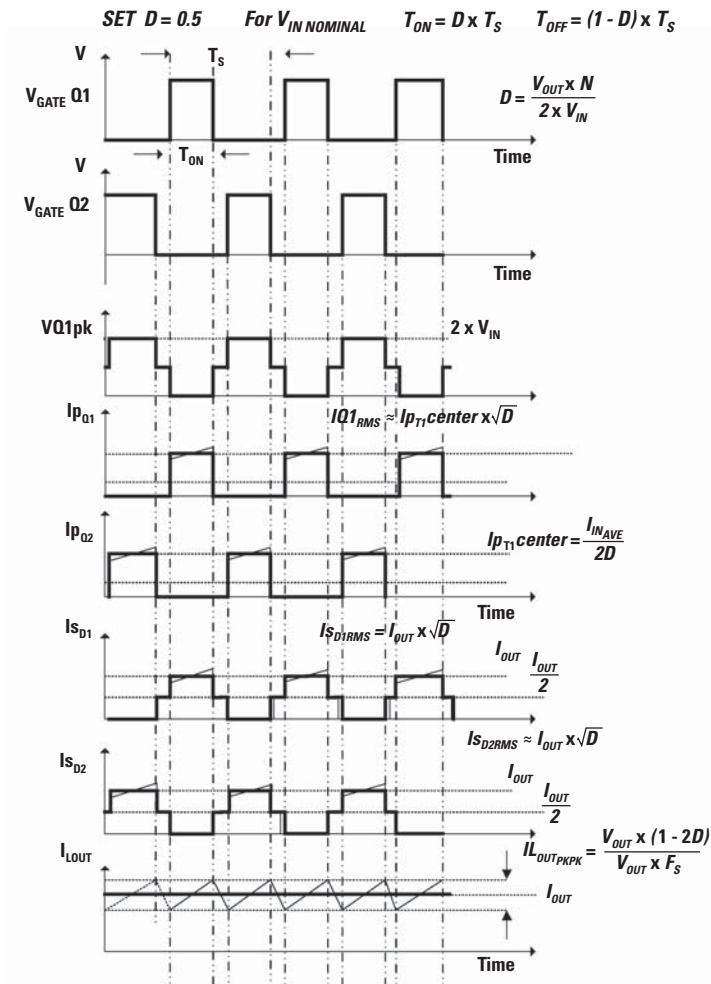


Figure 10. Push-Pull Converter Waveforms



## Isolated Supply Overview and Design Trade-Offs

### Ideal Use of a Push-Pull Converter

A push-pull converter operates as an interleaved forward converter and is ideal for higher-power designs above 200W. The push-pull converter has all the benefits of a forward converter while exhibiting lower input and output ripple currents compared to the forward, thus having smaller filter components. The push-pull converter can operate over the full duty cycle from zero to one. The FETs of a push-pull converter need to be rated at  $2 \times V_{IN}$ . The push-pull converter typically has flux imbalances in the transformer and, as a result, magnetizing current is not reset to zero. Over consecutive cycles, the flux density in the core accumulates to higher and higher levels, eventually driving the core into saturation. Therefore, current-mode control should be used to ensure proper and complete reset of the transformer.

### Half-Bridge Converter

#### Operation of a Half-Bridge Converter

The half-bridge converter is also buck derived and uses a center-tapped secondary and the turns ratio can be considered as  $N:1:1$ , where the 1s are each of the center-tapped secondary windings.

During the  $D$  period, Q1 turns on and  $V_{IN}/2$  is seen across the primary winding. During this same period, half of the  $V_{IN}$  voltage is transferred to the secondary, forward biasing D1 by a voltage equal to  $V_{IN}/2N$ .

During the following  $D$  period, Q2 turns on and Q1 is off. And  $-V_{IN}/2$  is seen across the primary, resetting the magnetizing current in the core. Diode D2 is forward biased by  $-V_{IN}/2N$  and diode D1 is reversed.

The voltage seen at the left side of  $L_{OUT}$  is identical to the push-pull converter; namely, switching at twice the primary side frequency and traversing from 0V to  $V_{IN}/2N$ .

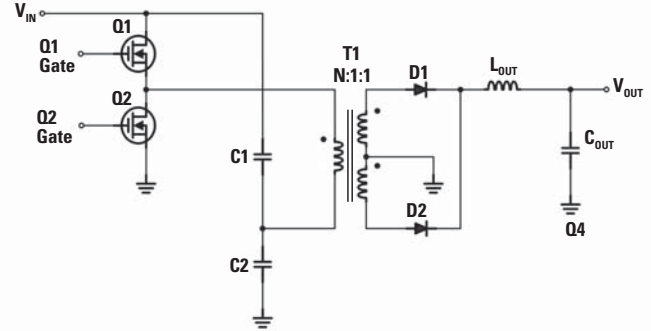


Figure 11. A Half-Bridge Converter

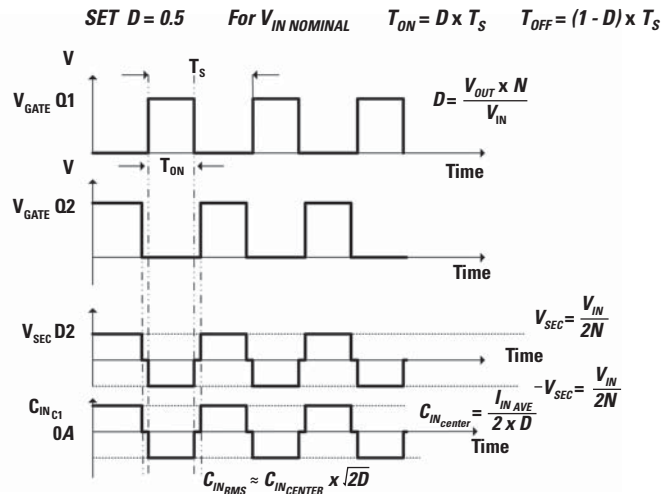


Figure 12. Half-Bridge Converter Waveforms

As is the case with the push-pull converter during the two  $(1-D)$  periods, neither Q1 nor Q2 is on and diodes D1 and D2 both conduct to maintain current flowing into  $L_{OUT}$ .

Due to the differences in capacitances in C1 and C2, the voltage across them will not be identical and current-mode control will worsen the voltage imbalance causing one capacitor to discharge to zero and causing the half-bridge converter to stop working.

## Isolated Supply Overview and Design Trade-Offs

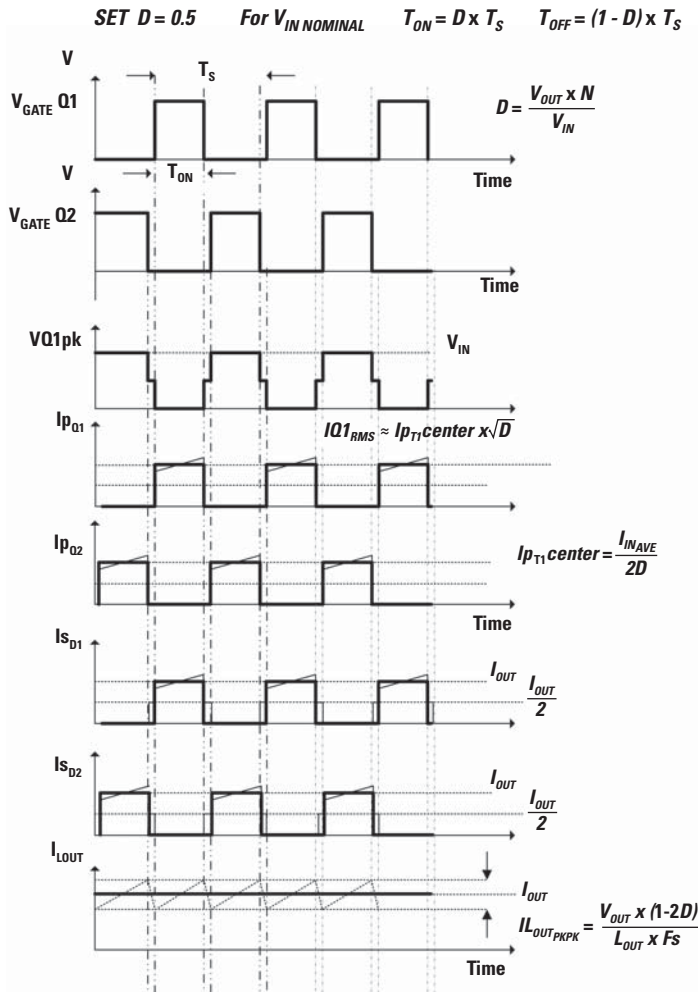


Figure 13. Half-Bridge Converter Waveforms (Continued)

### Ideal Use of a Half-Bridge Converter

A half-bridge converter is ideal for higher-power designs such as 200W and above. The half-bridge converter competes with the push-pull converter in these applications.

A half-bridge converter exhibits lower input and output ripple currents compared to the forward and flyback converter, thus having smaller filter components. The half-bridge converter exhibits voltage differences across the input capacitors and as a precaution, current-mode control should be avoided.

### Summary

The flyback converter is the smallest and simplest of the isolated topologies and is recommended for low-power applications up to 150W. The forward converter has improved performance over the flyback and should be considered for low-power applications up to 200W. The active-clamp forward converter has higher efficiencies than the forward converter and is the first choice for low-noise applications. For power levels over and above the limitations of flyback, forward, and active-clamp forward converters, push-pull and half-bridge converters should be considered.

# Power Design Tools

## Tools for Energy-Efficient Designs

Access white papers, reference designs, and application notes on PowerWise® products and systems.

[national.com/powerwise](http://national.com/powerwise)

## Technology Edge App Notes

National's monthly analog design technical journal.

[national.com/edge](http://national.com/edge)

**TECHNOLOGY**  
Edge 

## Online Seminars

Free online seminars by industry experts. Log onto National's analog online seminars today.

[national.com/online seminars](http://national.com/online seminars)

**ONLINE**  
Seminars 

**National Semiconductor**  
2900 Semiconductor Drive  
Santa Clara, CA 95051  
1 800 272 9959

**Mailing address:**  
PO Box 58090  
Santa Clara, CA 95052

**Visit our website at:**  
[national.com](http://national.com)

**For more information,  
send email to:**  
[new.feedback@nsc.com](mailto:new.feedback@nsc.com)

 **National**  
Semiconductor

## Don't miss a single issue!

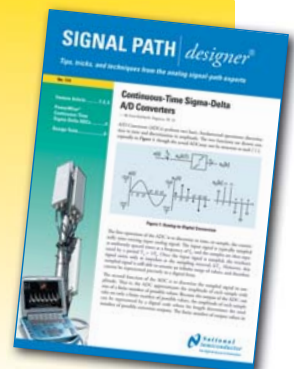


Subscribe now to receive email alerts when new issues of Power Designer are available:

[national.com/powerdesigner](http://national.com/powerdesigner)

Read our Signal Path Designer® online today at:

[national.com/spdesigner](http://national.com/spdesigner)



## IMPORTANT NOTICE

Texas Instruments Incorporated and its subsidiaries (TI) reserve the right to make corrections, modifications, enhancements, improvements, and other changes to its products and services at any time and to discontinue any product or service without notice. Customers should obtain the latest relevant information before placing orders and should verify that such information is current and complete. All products are sold subject to TI's terms and conditions of sale supplied at the time of order acknowledgment.

TI warrants performance of its hardware products to the specifications applicable at the time of sale in accordance with TI's standard warranty. Testing and other quality control techniques are used to the extent TI deems necessary to support this warranty. Except where mandated by government requirements, testing of all parameters of each product is not necessarily performed.

TI assumes no liability for applications assistance or customer product design. Customers are responsible for their products and applications using TI components. To minimize the risks associated with customer products and applications, customers should provide adequate design and operating safeguards.

TI does not warrant or represent that any license, either express or implied, is granted under any TI patent right, copyright, mask work right, or other TI intellectual property right relating to any combination, machine, or process in which TI products or services are used. Information published by TI regarding third-party products or services does not constitute a license from TI to use such products or services or a warranty or endorsement thereof. Use of such information may require a license from a third party under the patents or other intellectual property of the third party, or a license from TI under the patents or other intellectual property of TI.

Reproduction of TI information in TI data books or data sheets is permissible only if reproduction is without alteration and is accompanied by all associated warranties, conditions, limitations, and notices. Reproduction of this information with alteration is an unfair and deceptive business practice. TI is not responsible or liable for such altered documentation. Information of third parties may be subject to additional restrictions.

Resale of TI products or services with statements different from or beyond the parameters stated by TI for that product or service voids all express and any implied warranties for the associated TI product or service and is an unfair and deceptive business practice. TI is not responsible or liable for any such statements.

TI products are not authorized for use in safety-critical applications (such as life support) where a failure of the TI product would reasonably be expected to cause severe personal injury or death, unless officers of the parties have executed an agreement specifically governing such use. Buyers represent that they have all necessary expertise in the safety and regulatory ramifications of their applications, and acknowledge and agree that they are solely responsible for all legal, regulatory and safety-related requirements concerning their products and any use of TI products in such safety-critical applications, notwithstanding any applications-related information or support that may be provided by TI. Further, Buyers must fully indemnify TI and its representatives against any damages arising out of the use of TI products in such safety-critical applications.

TI products are neither designed nor intended for use in military/aerospace applications or environments unless the TI products are specifically designated by TI as military-grade or "enhanced plastic." Only products designated by TI as military-grade meet military specifications. Buyers acknowledge and agree that any such use of TI products which TI has not designated as military-grade is solely at the Buyer's risk, and that they are solely responsible for compliance with all legal and regulatory requirements in connection with such use.

TI products are neither designed nor intended for use in automotive applications or environments unless the specific TI products are designated by TI as compliant with ISO/TS 16949 requirements. Buyers acknowledge and agree that, if they use any non-designated products in automotive applications, TI will not be responsible for any failure to meet such requirements.

Following are URLs where you can obtain information on other Texas Instruments products and application solutions:

### Products

Audio	<a href="http://www.ti.com/audio">www.ti.com/audio</a>
Amplifiers	<a href="http://amplifier.ti.com">amplifier.ti.com</a>
Data Converters	<a href="http://dataconverter.ti.com">dataconverter.ti.com</a>
DLP® Products	<a href="http://www.dlp.com">www.dlp.com</a>
DSP	<a href="http://dsp.ti.com">dsp.ti.com</a>
Clocks and Timers	<a href="http://www.ti.com/clocks">www.ti.com/clocks</a>
Interface	<a href="http://interface.ti.com">interface.ti.com</a>
Logic	<a href="http://logic.ti.com">logic.ti.com</a>
Power Mgmt	<a href="http://power.ti.com">power.ti.com</a>
Microcontrollers	<a href="http://microcontroller.ti.com">microcontroller.ti.com</a>
RFID	<a href="http://www.ti-rfid.com">www.ti-rfid.com</a>
OMAP Mobile Processors	<a href="http://www.ti.com/omap">www.ti.com/omap</a>
Wireless Connectivity	<a href="http://www.ti.com/wirelessconnectivity">www.ti.com/wirelessconnectivity</a>

### Applications

Communications and Telecom	<a href="http://www.ti.com/communications">www.ti.com/communications</a>
Computers and Peripherals	<a href="http://www.ti.com/computers">www.ti.com/computers</a>
Consumer Electronics	<a href="http://www.ti.com/consumer-apps">www.ti.com/consumer-apps</a>
Energy and Lighting	<a href="http://www.ti.com/energy">www.ti.com/energy</a>
Industrial	<a href="http://www.ti.com/industrial">www.ti.com/industrial</a>
Medical	<a href="http://www.ti.com/medical">www.ti.com/medical</a>
Security	<a href="http://www.ti.com/security">www.ti.com/security</a>
Space, Avionics and Defense	<a href="http://www.ti.com/space-avionics-defense">www.ti.com/space-avionics-defense</a>
Transportation and Automotive	<a href="http://www.ti.com/automotive">www.ti.com/automotive</a>
Video and Imaging	<a href="http://www.ti.com/video">www.ti.com/video</a>

TI E2E Community Home Page

[e2e.ti.com](http://e2e.ti.com)

Mailing Address: Texas Instruments, Post Office Box 655303, Dallas, Texas 75265  
Copyright © 2011, Texas Instruments Incorporated