

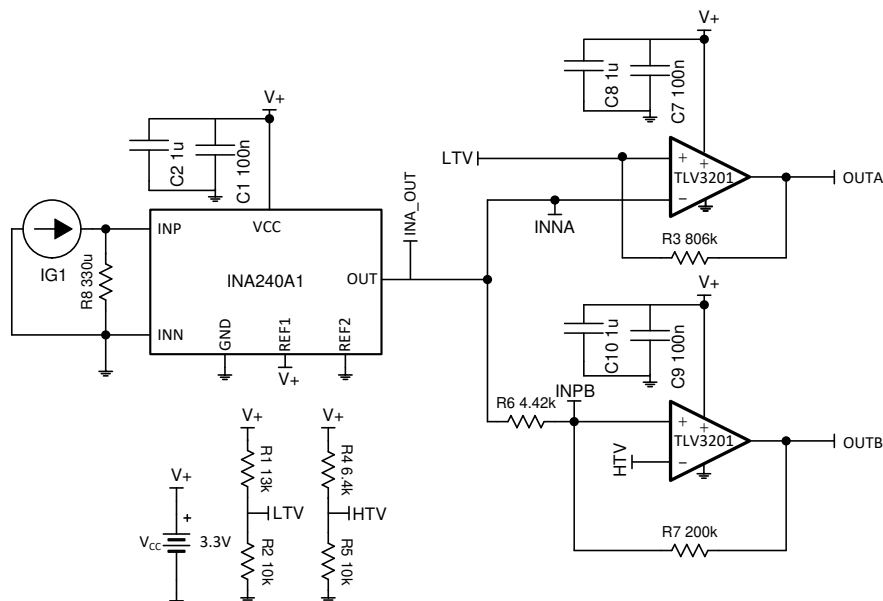
Bidirectional Current Sensing with a Window Comparator Circuit

Design Goals

SYSTEM CURRENT LEVELS				SUPPLY	
Falling OC Threshold	Falling OC Recovery	Rising OC Threshold	Rising OC Recovery	V+	V-
IG1 < -35A	IG1 > -31A	IG1 > 100A	IG1 < 90A	3.3 V	0 V

Design Description

This bidirectional current sensing solution uses a current-sense amplifier and a high speed dual comparator with a rail-to-rail input common mode range to create over-current (OC) alert signals at the comparator outputs (OUTA and OUTB) if the input current (IG1) rises above 100A or falls below -35A. In this implementation, both over-current alert signals are active high, so when the 100A or -35A thresholds are crossed, the comparator outputs will go high. External hysteresis is implemented on both comparators so that the comparator outputs will return to logic low states when the current reduces by 10% (90A and -31A). While the circuit below has shunt resistor R8 connected to ground, the same circuit is applicable for high side current sensing up to the common mode voltage range of the INA.



Design Notes

1. Select a comparator with rail-to-rail input common mode range.
2. Select a current sense amplifier with low offset voltage and a common mode input range that matches the requirements of the system.

Design Steps

- To determine the comparator threshold voltages, first calculate the INA240A1 output voltages that correspond to the desired current thresholds. The calculations depend on the gain of the INA240 (20, 50, 100, 200 for A1, A2, A3, A4, respectively), the input current (IG1) and sense resistor (R8), and the reference voltage when the input current is 0 (VREF). Per section 8.3.2 in the INA240 datasheet, R8 is a function of the differential input voltage and the maximum input current to the INA240. Given that the input current in this system swings above 100A, by keeping R8 small, the power dissipation across R8 will be lessened.

$$\text{INA_OUT} = \text{VREF} + G \times (\text{INP} - \text{INN})$$

$$\text{INP} - \text{INN} = \text{IG1} \times \text{R8}$$

$$\text{VREF} = \frac{(V_+) - 0}{2} = \frac{3.3\text{V}}{2} = 1.65\text{V}$$

Using these equations and the desired current thresholds, the following table is generated:

	DESCRIPTION	IG1	INA-OUT
$V_{H, \text{CHB}}$	Overcurrent threshold in forward direction	100 A	$1.65\text{ V} + 20 \times (100\text{ A} \times 0.33\text{ m}\Omega) = 2.31\text{ V}$
$V_{L, \text{CHB}}$	"Recovery threshold" in forward direction	90 A	$1.65\text{ V} + 20 \times (90\text{ A} \times 0.33\text{ m}\Omega) = 2.244\text{ V}$
$V_{H, \text{CHA}}$	Overcurrent threshold in reverse direction	-35 A	$1.65\text{ V} + 20 \times (-35\text{ A} \times 0.33\text{ m}\Omega) = 1.419\text{ V}$
$V_{L, \text{CHA}}$	"Recovery threshold" in reverse direction	-31.5 A	$1.65\text{ V} + 20 \times (-31.5\text{ A} \times 0.33\text{ m}\Omega) = 1.4421\text{ V}$

First, focus on the top comparator (channel A), which is in an inverting comparator configuration. This comparator will swing to a logic high when the current in the reverse direction exceeds -35A, and will return to a logic low when the current in the reverse direction recovers to -31.5A. These current levels correspond to voltage levels of 1.419 V and 1.4421 V, respectively.

- Assume a value for R2 (the bottom resistor in the resistor divider). In this circuit, 10 k Ω is chosen.
- Derive two equations for R1 in terms of V_+ , V_L , V_H , R_2 , R_3 by analyzing the circuit when $\text{INNA} = V_L$ and when $\text{INNA} = V_H$:

$$R_1 = \left(\frac{V_+}{V_L} - 1 \right) \left(\frac{R_2 R_3}{R_2 + R_3} \right)$$

$$R_1 = \frac{V_+ - V_H}{\frac{V_H}{R_2} - \frac{V_+ - V_H}{R_3}}$$

- Set these two equations equal to each other and then solve for R_3 .

$$\left(\frac{V_+ - V_H}{V_L} - V_H \right) R_3^2 + \left(\frac{V_+ - V_H}{V_L} + V_+ - V_H \right) R_2 R_3 = 0$$

$$\left(\frac{3.3 - 1.4421}{1.419} - 1.4421 \right) R_3^2 + \left(\frac{3.3 - 1.4421}{1.419} + 3.3 - 1.4421 \right) (10\text{k}) R_3 = 0$$

$$R_3 = 0, \quad R_3 = 804.29\text{k}\Omega$$

The standard 1% resistor value closest to this is 806 k Ω .

- Solve for R_1 using any of the two equations derived in 3:

$$R_1 = \left(\frac{V_+}{V_L} - 1 \right) \left(\frac{R_2 R_3}{R_2 + R_3} \right)$$

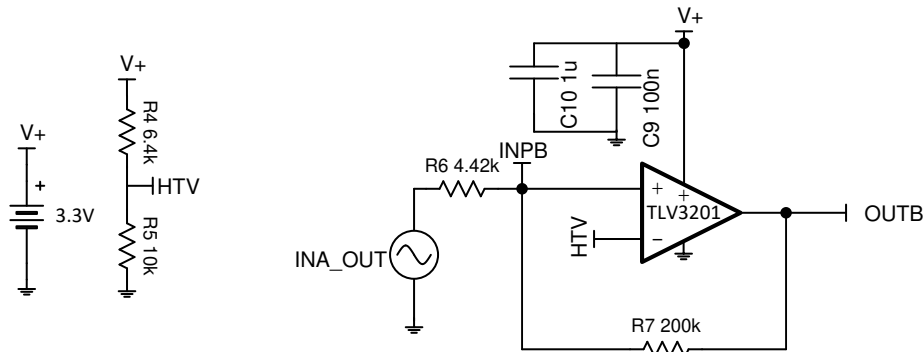
$$R_1 = \left(\frac{3.3}{1.419} - 1 \right) \left(\frac{(10\text{ k}\Omega)(806\text{ k}\Omega)}{10\text{ k}\Omega + 806\text{ k}\Omega} \right)$$

$$R_1 = 13.093\text{k}\Omega$$

The standard 1% resistor value closest to this is 13 k Ω .

The next step is to focus on the bottom comparator (channel B), which is in a non-inverting configuration. This comparator will swing to a logic high when the current in the forward direction exceeds 100A, and will return to a logic low when the current in the forward direction recovers to 90A. These current levels correspond to voltage levels of 2.31 V and 2.244 V, respectively.

Figure 1.



SBOA306 (*High-side current sensing with comparator circuit*) derives two equations for V_{TH} (the voltage on the non-inverting pin) when the comparator output is in a logic low state and a high-impedance state (SBOA306 uses an open-drain comparator). These equations are then set equal to each other creating a quadratic equation to solve for R_6 . Since TLV3202 is a push-pull device, the output will go to a logic high state instead of a high-impedance state. Thus, the pull-up resistor value is 0 and V_{PU} is V_+ .

6. Rewrite the quadratic equation to match this circuit:

$$0 = V_+ \times R_6^2 + (V_+ \times R_7 + V_L \times (R_7) - V_H \times R_7) \times R_6 + (V_L - V_H) \times (R_7^2)$$

$$0 = 3.3 \times R_6^2 + (3.3 \times R_7 + 2.244 \times (R_7) - 2.31 \times R_7) \times R_6 + (2.244 - 2.31) \times (R_7^2)$$

7. Choose a value for R_7 . This resistor dictates the load current of the comparator, and should thus be large. For this circuit, R_7 is assumed to be 200 k Ω .

$$0 = 3.3 \times R_6^2 + (3.3 \times 200k + 2.244 \times (200k) - 2.31 \times 200k) \times R_6 + (2.244 - 2.31) \times (200k)^2$$

$$R_6 = 4.47k\Omega$$

The standard 1% resistor value closest to this is 4.42k Ω .

8. Calculate V_{TH} using R_6 .

$$V_{TH} = V_H \times \left(\frac{R_7}{R_6 + R_7} \right) = 2.31 \times \frac{200k}{4.42k + 200k} = 2.26V$$

9. Choose a value for R_5 . In this case, R_5 is chosen to be 10 k Ω .

$$V_{TH} = V_H \times \left(\frac{R_2}{R_1 + R_2} \right) = 9.802V$$

10. Solve for R_4 .

$$R_4 = \frac{R_5 \times (V_s - V_{TH})}{V_{TH}} = \frac{10k \times (3.3 - 2.6)}{2.26} = 4.602 k\Omega$$

The standard 1% resistor value closest to this is 4.64 k Ω .

Design Simulations

Transient Simulation Results

The below simulation results use a -70A to 130A, 100Hz sine wave for IG1.

Figure 2. Channel A

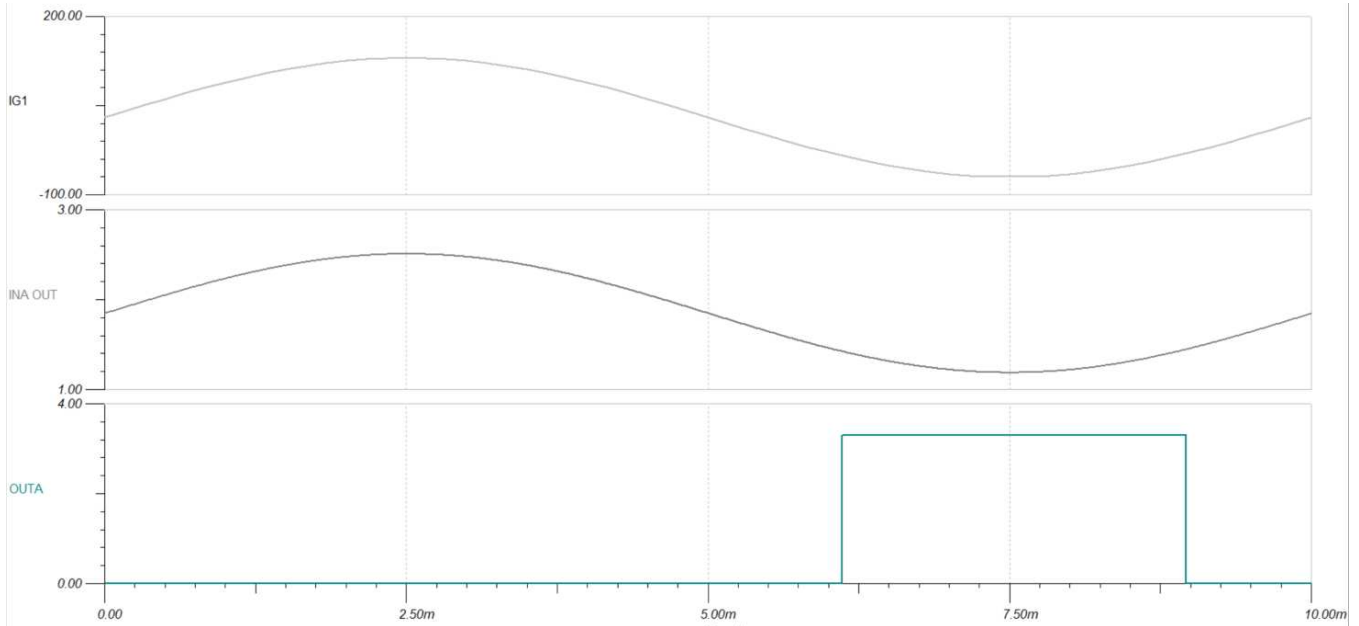
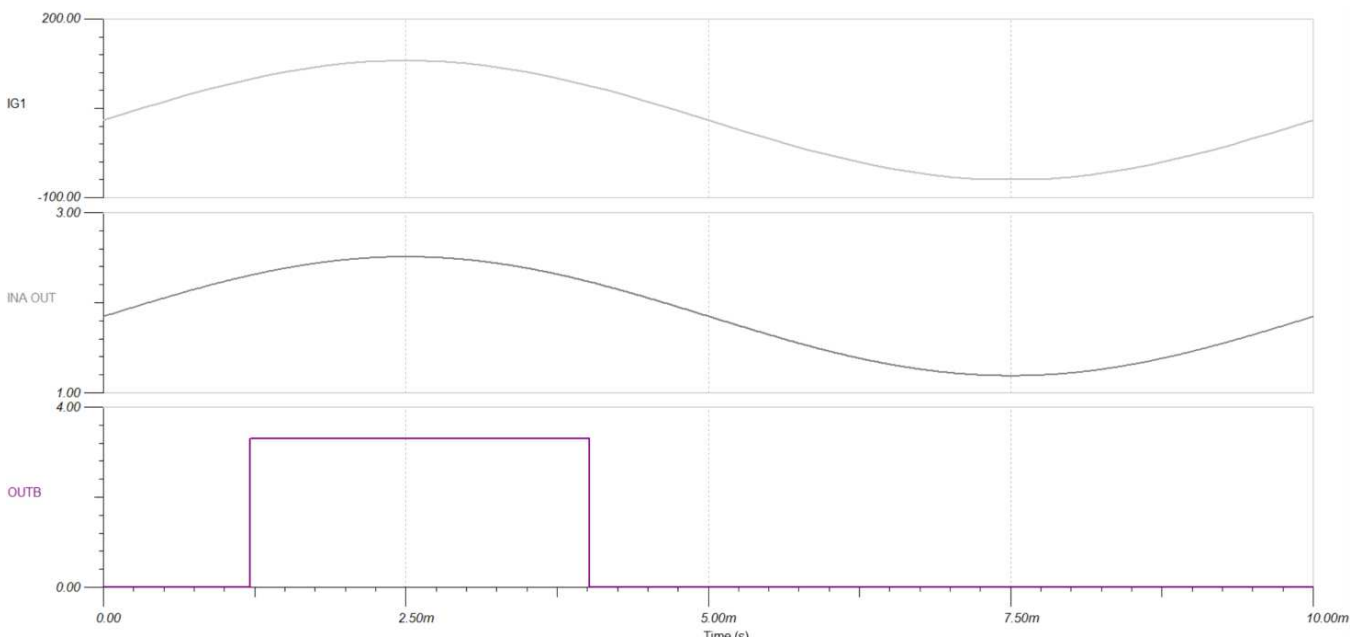


Figure 3. Channel B



Design References

See [Analog Engineer's Circuit Cookbooks](#) for TI's comprehensive circuit library.

See Circuit SPICE Simulation File [SBOMB05](#).

Design Featured Comparator

TLV320x	
V_S	2.7 V to 5.5 V
V_{inCM}	200 mV beyond either rail
V_{OUT}	Push-Pull, Rail-to-rail
V_{OS}	1 mV
I_Q	40 μ A/channel
$t_{PD(HL)}$	40 ns
#Channels	1, 2
TLV3201-Q1 and TLV3202-Q1	

Design Featured Op Amp

INA240	
V_S	1.6 V to 5.5 V
V_{inCM}	-4 V to 80 V
V_{OUT}	Rail-to-rail
V_{OS}	5 μ V
V_{OS} Drift	50 nV/ $^{\circ}$ C
I_Q	260 ns
Gain Options	20 V/V, 50 V/V, 100 V/V, 200 V/V
INA240	

IMPORTANT NOTICE AND DISCLAIMER

TI PROVIDES TECHNICAL AND RELIABILITY DATA (INCLUDING DATASHEETS), DESIGN RESOURCES (INCLUDING REFERENCE DESIGNS), APPLICATION OR OTHER DESIGN ADVICE, WEB TOOLS, SAFETY INFORMATION, AND OTHER RESOURCES "AS IS" AND WITH ALL FAULTS, AND DISCLAIMS ALL WARRANTIES, EXPRESS AND IMPLIED, INCLUDING WITHOUT LIMITATION ANY IMPLIED WARRANTIES OF MERCHANTABILITY, FITNESS FOR A PARTICULAR PURPOSE OR NON-INFRINGEMENT OF THIRD PARTY INTELLECTUAL PROPERTY RIGHTS.

These resources are intended for skilled developers designing with TI products. You are solely responsible for (1) selecting the appropriate TI products for your application, (2) designing, validating and testing your application, and (3) ensuring your application meets applicable standards, and any other safety, security, or other requirements. These resources are subject to change without notice. TI grants you permission to use these resources only for development of an application that uses the TI products described in the resource. Other reproduction and display of these resources is prohibited. No license is granted to any other TI intellectual property right or to any third party intellectual property right. TI disclaims responsibility for, and you will fully indemnify TI and its representatives against, any claims, damages, costs, losses, and liabilities arising out of your use of these resources.

TI's products are provided subject to TI's Terms of Sale (www.ti.com/legal/termsofsale.html) or other applicable terms available either on ti.com or provided in conjunction with such TI products. TI's provision of these resources does not expand or otherwise alter TI's applicable warranties or warranty disclaimers for TI products.

Mailing Address: Texas Instruments, Post Office Box 655303, Dallas, Texas 75265
Copyright © 2019, Texas Instruments Incorporated