

LM1830

AB-10 Fluid Level Control Systems Utilizing the LM1830



Literature Number: SNOA576A

Fluid Level Control Systems Utilizing the LM1830

National Semiconductor
Application Brief 10



Fluid Level Control Systems Utilizing the LM1830

Abstract. The LM1830 fluid level detector is a device intended to signal the presence or absence of aqueous solutions. This application brief shows how to implement HIGH/LOW limit control applications utilizing this device.

Many opportunities exist for a device that can reliably control the operation of pumps or solenoid actuated valves in fluid level control applications. Applications include sump pumps, bilge pumps, washing machines, humidifiers, plating baths, continuous replenishment photographic processors, coffee makers, municipal water and waste treatment plants, cooling towers, refrigeration equipment and others.

Classically, these needs have been met by various mechanical arrangements such as float valves or diaphragm actuated switches. These devices are bulky, inaccurate and, because they contain moving parts, unreliable—often with disastrous results when they fail. They are easily disabled by debris or environmental problems such as ice. They can be expensive when used to control the level of corrosive fluids such as plating baths or detergents, or when used to control large differences in depth such as in municipal water towers. Mechanical control devices are prone to false actuation in vehicular applications (such as bilge pump controls) due to their own inertia. In many applications such as coffee makers, they are too bulky to fit within the confines of the package. By utilizing electronic means based on the LM1830, problems inherent in mechanical solutions are overcome and a reliable, cost effective approach to fluid level control is made possible.

The LM1830 is a monolithic bipolar integrated circuit designed to detect the presence or absence of aqueous fluids. An AC signal generated on-chip is passed through two probes within the fluid. A detector determines the presence of the fluid by using the probes in a voltage divider circuit and measuring the signal level across the probes. An AC signal is used to prevent plating or dissolving of the probes as occurs when a DC signal is used. A pin is available for connecting an external resistance in cases where the fluid impedance is not compatible with the internal 13 k Ω divider resistance.

The addition of a CD4016 quad CMOS analog switch (*Figure 1*) allows the LM1830 to be used for HIGH/LOW limit control applications. The switch sections are opened and closed by a control signal, where a HIGH level turns the switch ON and a LOW level turns the switch OFF. Grounding the input of one switch section and pulling its output up with a resistor creates an inverter. Probes are connected to the inputs of two of the remaining analog switches. Their outputs are connected to pin 10 of the LM1830

which is the detector input. The remaining section of the CD4016 is used to buffer the open collector output of the LM1830. All of the control inputs of the quad analog switch are tied to this output. The last switch section controls the base of a transistor which in turn drives a relay or solenoid actuated valve.

The start and stop probes are set at their appropriate levels in the fluid container, and the ground return is connected to a third probe located at a depth greater than the start and stop probes. If the container is conductive, it may be used as the ground return. Let's assume we have a situation where we wish to empty the container when fluid reaches a predetermined level [sump or bilge pump, *Figure 1(a)*]. With no fluid covering either of the probes, pin 12 of the LM1830 switches LOW. This disables the relay and enables the analog switch connected to the start probe. Fluid eventually fills the container, covering the start probe. When this occurs, the output of the LM1830 switches HIGH and the pump relay is enabled, thereby draining the container. At the same time, the analog switch used as an inverter enables the analog switch connected to the stop probe and disables the start probe. Draining continues until the stop probe is above the level of fluid in the container. Then the output of the LM1830 switches LOW, disabling the relay (halting the drain operation) and switching the start probe back to its active state.

By reversing the labeling on the probes, as well as reversing the polarity of the relay drive, a container "fill" control is implemented such as would be used in a water tower. Necessary circuit changes are shown in *Figure 1(b)*.

A pump control for a waste water holding tank in a photographic darkroom has been implemented with this circuitry. This replaced a float actuated system which failed consistently due to the corrosive nature of the chemicals used in photographic processing. With one year of continuous service, no failures have occurred in this system. Furthermore, there is no evidence of plating on the sense electrodes, in spite of the fact that the waste water is loaded with silver ions. A plastic holding tank is used, with stainless steel bolts inserted through holes drilled in the tank as sense probes (*Figure 2*). A solid-state relay controls a 1/4 HP pump motor to empty the tank.

Obviously, careful selection of probe materials must be made to maximize reliability with this system. Excellent sources of information on materials in corrosive environments are available in publications such as Omega's *Temperature Measurement Handbook*, or Eastman Kodak's *Darkroom Design Manual*.

AB-10

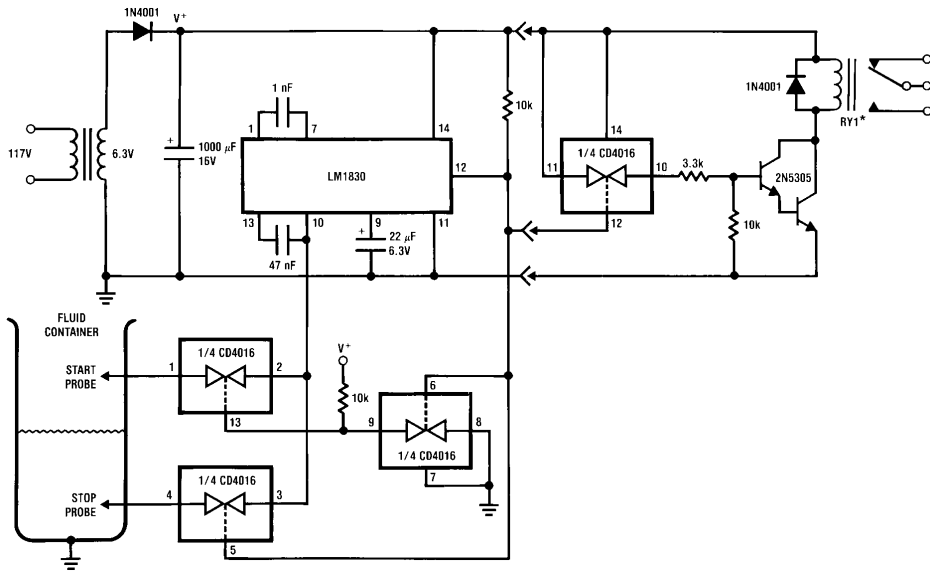
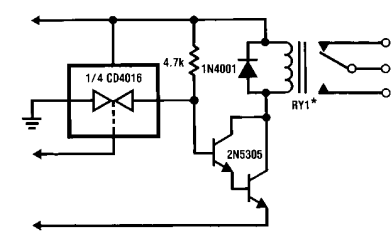


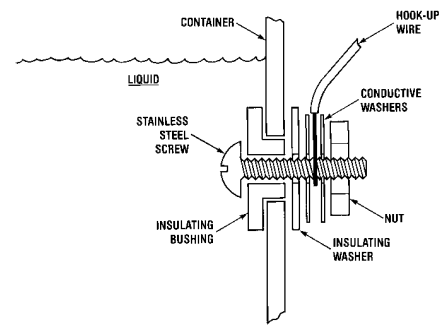
FIGURE 1(a). "Emptying" Processes are Controlled with this Circuit

TL/H/5071-1



*RY1 = Magnecraft Part # W388CQX-5

FIGURE 1(b). Filling Processes are Implemented with this Output Circuit and Relabeled Probes



A sealing compound applied externally protects hook-up wire and prevents leaks.

FIGURE 2. Typical Probe Installation

TL/H/5071-3

LIFE SUPPORT POLICY

NATIONAL'S PRODUCTS ARE NOT AUTHORIZED FOR USE AS CRITICAL COMPONENTS IN LIFE SUPPORT DEVICES OR SYSTEMS WITHOUT THE EXPRESS WRITTEN APPROVAL OF THE PRESIDENT OF NATIONAL SEMICONDUCTOR CORPORATION. As used herein:

1. Life support devices or systems are devices or systems which, (a) are intended for surgical implant into the body, or (b) support or sustain life, and whose failure to perform, when properly used in accordance with instructions for use provided in the labeling, can be reasonably expected to result in a significant injury to the user.
2. A critical component is any component of a life support device or system whose failure to perform can be reasonably expected to cause the failure of the life support device or system, or to affect its safety or effectiveness.



National Semiconductor Corporation
 1111 West Bardin Road
 Arlington, TX 76017
 Tel: 1(800) 272-9959
 Fax: 1(800) 737-7018

National Semiconductor Europe
 Fax: (+49) 0-180-530 85 86
 Email: onjwge@tevm2.nsc.com
 Deutsch Tel: (+49) 0-180-530 85 85
 English Tel: (+49) 0-180-532 78 32
 Français Tel: (+49) 0-180-532 93 58
 Italiano Tel: (+49) 0-180-534 16 80

National Semiconductor Hong Kong Ltd.
 19th Floor, Straight Block,
 Ocean Centre, 5 Canton Rd.
 Tsimshatsui, Kowloon
 Hong Kong
 Tel: (852) 2737-1600
 Fax: (852) 2736-9960

National Semiconductor Japan Ltd.
 Tel: 81-043-299-2309
 Fax: 81-043-299-2408

National does not assume any responsibility for use of any circuitry described, no circuit patent licenses are implied and National reserves the right at any time without notice to change said circuitry and specifications.

IMPORTANT NOTICE

Texas Instruments Incorporated and its subsidiaries (TI) reserve the right to make corrections, modifications, enhancements, improvements, and other changes to its products and services at any time and to discontinue any product or service without notice. Customers should obtain the latest relevant information before placing orders and should verify that such information is current and complete. All products are sold subject to TI's terms and conditions of sale supplied at the time of order acknowledgment.

TI warrants performance of its hardware products to the specifications applicable at the time of sale in accordance with TI's standard warranty. Testing and other quality control techniques are used to the extent TI deems necessary to support this warranty. Except where mandated by government requirements, testing of all parameters of each product is not necessarily performed.

TI assumes no liability for applications assistance or customer product design. Customers are responsible for their products and applications using TI components. To minimize the risks associated with customer products and applications, customers should provide adequate design and operating safeguards.

TI does not warrant or represent that any license, either express or implied, is granted under any TI patent right, copyright, mask work right, or other TI intellectual property right relating to any combination, machine, or process in which TI products or services are used. Information published by TI regarding third-party products or services does not constitute a license from TI to use such products or services or a warranty or endorsement thereof. Use of such information may require a license from a third party under the patents or other intellectual property of the third party, or a license from TI under the patents or other intellectual property of TI.

Reproduction of TI information in TI data books or data sheets is permissible only if reproduction is without alteration and is accompanied by all associated warranties, conditions, limitations, and notices. Reproduction of this information with alteration is an unfair and deceptive business practice. TI is not responsible or liable for such altered documentation. Information of third parties may be subject to additional restrictions.

Resale of TI products or services with statements different from or beyond the parameters stated by TI for that product or service voids all express and any implied warranties for the associated TI product or service and is an unfair and deceptive business practice. TI is not responsible or liable for any such statements.

TI products are not authorized for use in safety-critical applications (such as life support) where a failure of the TI product would reasonably be expected to cause severe personal injury or death, unless officers of the parties have executed an agreement specifically governing such use. Buyers represent that they have all necessary expertise in the safety and regulatory ramifications of their applications, and acknowledge and agree that they are solely responsible for all legal, regulatory and safety-related requirements concerning their products and any use of TI products in such safety-critical applications, notwithstanding any applications-related information or support that may be provided by TI. Further, Buyers must fully indemnify TI and its representatives against any damages arising out of the use of TI products in such safety-critical applications.

TI products are neither designed nor intended for use in military/aerospace applications or environments unless the TI products are specifically designated by TI as military-grade or "enhanced plastic." Only products designated by TI as military-grade meet military specifications. Buyers acknowledge and agree that any such use of TI products which TI has not designated as military-grade is solely at the Buyer's risk, and that they are solely responsible for compliance with all legal and regulatory requirements in connection with such use.

TI products are neither designed nor intended for use in automotive applications or environments unless the specific TI products are designated by TI as compliant with ISO/TS 16949 requirements. Buyers acknowledge and agree that, if they use any non-designated products in automotive applications, TI will not be responsible for any failure to meet such requirements.

Following are URLs where you can obtain information on other Texas Instruments products and application solutions:

Products

Audio	www.ti.com/audio
Amplifiers	amplifier.ti.com
Data Converters	dataconverter.ti.com
DLP® Products	www.dlp.com
DSP	dsp.ti.com
Clocks and Timers	www.ti.com/clocks
Interface	interface.ti.com
Logic	logic.ti.com
Power Mgmt	power.ti.com
Microcontrollers	microcontroller.ti.com
RFID	www.ti-rfid.com
OMAP Mobile Processors	www.ti.com/omap
Wireless Connectivity	www.ti.com/wirelessconnectivity

Applications

Communications and Telecom	www.ti.com/communications
Computers and Peripherals	www.ti.com/computers
Consumer Electronics	www.ti.com/consumer-apps
Energy and Lighting	www.ti.com/energy
Industrial	www.ti.com/industrial
Medical	www.ti.com/medical
Security	www.ti.com/security
Space, Avionics and Defense	www.ti.com/space-avionics-defense
Transportation and Automotive	www.ti.com/automotive
Video and Imaging	www.ti.com/video

TI E2E Community Home Page

e2e.ti.com

Mailing Address: Texas Instruments, Post Office Box 655303, Dallas, Texas 75265
Copyright © 2011, Texas Instruments Incorporated