

Designing a front-end interface for vibration sensors that monitor machine health

By Ahmed Noeman

Systems Engineer, Industrial Systems, Freising

Introduction

Machine failure is very costly in a production environment. The industry is actively transitioning from scheduled preventive maintenance toward predictive maintenance, which can proactively detect potential machine failure through condition monitoring of temperature, vibration and other parameters.

Several theoretical and empirical models can link these condition parameters to a machine's health status. Condition monitoring greatly optimizes maintenance cost and decreases machine downtime.

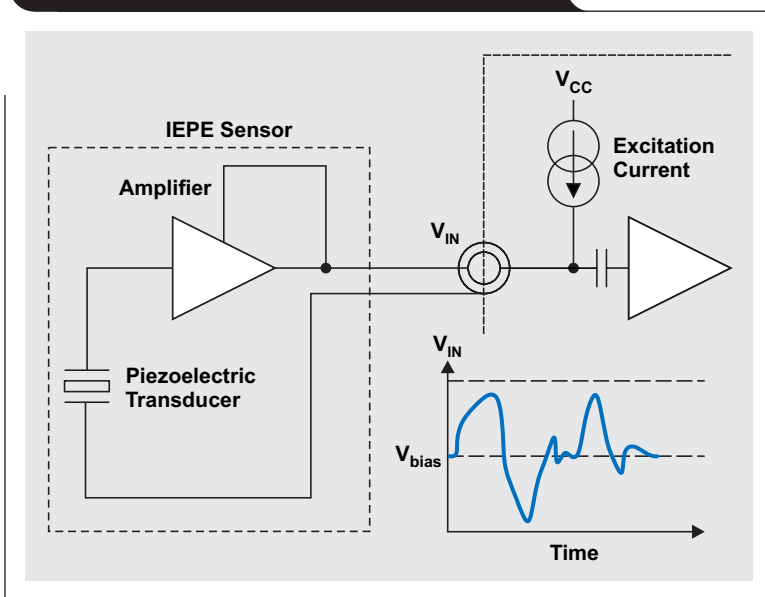
Vibration sensing is a cornerstone of condition monitoring, with integrated-electronics piezoelectric (IEPE) sensors dominating mainstream industrial applications. The IEPE-sensor interface, however, demands higher performance not met by the analog input of the typical programmable logic controller (PLC). High resolution, high sensitivity and high speed are among the features defining the IEPE-sensor interface as a classic data-acquisition system rather than as a PLC analog input.

Understanding IEPE vibration sensors

A piezoelectric transducer converts mechanical acceleration into a small capacitance change, which is susceptible to noise because of its high output impedance. A charge-amplifier circuit converts the low-level capacitive change into a high-level voltage signal. An IEPE sensor is a piezoelectric vibration transducer with a charge amplifier and impedance converter. Integrating the amplifier and sensor greatly reduces the sensor noise. One major advantage of the IEPE sensor is that it is interchangeable and has similar interface requirements among sensor manufacturers. Figure 1 shows a simple circuit of the IEPE sensor and how it is powered.

An external constant current, preferably integrated with the interface, powers the IEPE sensor. The output signal is an AC signal on top of a constant DC voltage called the bias voltage. This configuration allows a two-wire cable to carry both the sensor power and signal. Given the existence of the DC bias, the signal is typically AC-coupled to the interface circuit.

Figure 1. IEPE sensor conceptual circuit



IEPE sensors have a wide range of performance parameters, including:

- Sensitivity – The output voltage change that corresponds to a specific mechanical-acceleration input measured in millivolts per acceleration of gravity (g). Sensitivity variations due to temperature, input frequency and input level are known as the sensitivity tolerance and is represented as a percentage of the full range. IEPE sensors with sensitivity between 0.05 mV/g to 10 V/g are available.
- Output-voltage and measurement range – The measurement range is the difference between the maximum and minimum acceleration input that the sensor can convert to a voltage output without saturation or clipping. The relationship between measurement range and output voltage range is:
 - Output voltage range (V) = measurement range (g) × sensitivity (V/g).
 - The typical output range of an IEPE sensor is ± 5 V to ± 10 V and represents a measurement range from microns of acceleration of gravity to hundreds of acceleration of gravity.
- Output bias voltage – The DC voltage at the sensor output when powered by the rated current source. It is independent to some degree from the biasing current and typically in the 8-V to 12-V range.

- Excitation voltage – The compliance range of the current source or maximum DC voltage allowed on the output without affecting the current source. This value makes sure that the sensor-interface front-end properly receives the sensor output (including AC + DC) without clipping.
 - $\text{Excitation_voltage}_{\min} = \text{Bias_voltage}_{\max} + \text{Sensitivity} \times \text{Output_range}_{\max}/2$
- Frequency response – The sensor translates acceleration into voltage within a certain frequency range where sensitivity is constant. Beyond the maximum frequency, the sensor has a mechanical resonance frequency that should be avoided. The usual frequency range is sub-hertz to 10, 20 or 30 kHz. A sensor interface circuit should have the same bandwidth as the targeted sensor, and the analog-to-digital converter (ADC) sampling frequency should be more than twice this bandwidth.
 - The cable that connects the sensor to the front end will have an impact on the 3-dB sensor bandwidth and useful frequency range. Increasing the excitation current can extend the frequency range for longer cables.

System overview

The IEPE-sensor characteristics are a good starting place for determining the specifications for an analog front end. If the input signal is about ±10 V and the ADC input signal is ±2.5 V, the front-end signal-chain’s overall gain will be about one-fourth; however, different applications might require variable gain. The existence of bias voltage is better handled through AC coupling and a high-pass filter with a low cutoff frequency. The resolution of the front end (usually 14-bit up to 24-bit) is directly related to the uncertainty in the measured acceleration value. The dynamic range of the chain is set not by the resolution, but rather by the noise level on the lower side and the converter full scale on the upper side—reaching 100 dB (effective number of bits [ENOB] = 17) for high-end front-end products.

The chain bandwidth should match the sensor’s flat sensitivity range, which lies between 10 kHz and 30 kHz. The bandwidth determines the anti-aliasing filter as well as the converter sampling speed or output data rate. A constant and stable current source over the whole sensor’s output-signal range (0 V to 22 V) dictates the minimum supply voltage for the current source. While a 2- to 4-mA current source is sufficient to operate the majority of IEPE sensors, a variable current source is necessary to broaden the applicability of the front end to a variety of cables and cable lengths.

Combining the previously described elements results in the diagram in Figure 2 and the specifications in Table 1. For the anti-aliasing filter, because the ADC is sampling the noise at clock frequency and folding back to the 20-kHz attenuated signal band, high-level attenuation is required from that filter at the clock frequency.

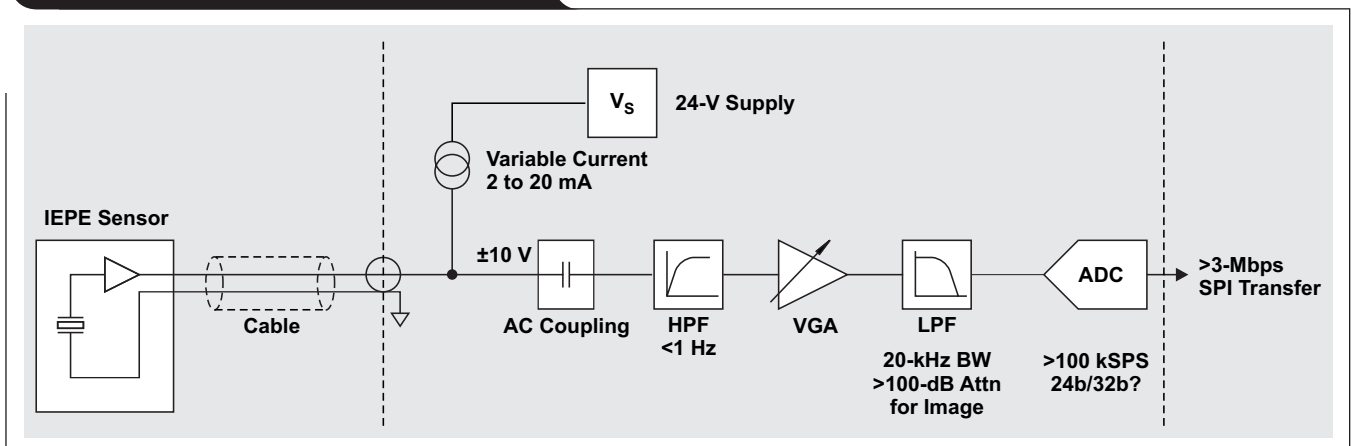
Table 1. Front-end target specification

	Target Specs
Resolution	24
Sampling rate	>100 kSPS
Input range	±10 V
Bandwidth	20 kHz
High-pass filter	0.6 Hz
Signal-to-noise ratio (SNR)/dynamic range (DR)	100-dB DR
Coupling	AC
Input impedance	250 kΩ
Bias current	2 to 20 mA
Temperature range	–40°C to 80°C

Converter requirements

The 30-kHz bandwidth requires an ADC with a resolution higher than 20 bits and a sampling speed greater than 100 kSPS to achieve the target 100-dB SNR. A sigma-delta ADC with an integrated filter is preferred, however, a successive approximation register (SAR) converter is also an option. An integrated, wideband digital filter with a flat

Figure 2. Simplified IEPE sensor interface



response over bandwidth will be a plus, as it takes a lot of burden from the controller processor when using a sinc filter.^[1]

The data-capturing controller should support the high-speed data transfer of the serial-peripheral interface (SPI) and have enough memory for data storage. If the execution of a fast Fourier transform is required in real time on the same processor, factor that in when determining the processing power. A SPI master with a data rate of at least 3 Mbps is required to collect data from the ADC for 24 bits at 100 kHz. The ADC input impedance will set the upper limit of the driver-stage output impedance, and the reference voltage will set the upper limit of the driver-stage output swing.

After selecting an ADC, it is important to select the reference scheme to be internal or external, the reference level, and the clock frequency to get the maximum SNR of the ADC at a given input bandwidth and dynamic range of the input.

ADC driver and anti-aliasing filter

The ADC driver:

- Converts a single-ended signal to a differential signal.
- Scales the input and adjusts the output common-mode level so that the ADC input signal spans the ADC full scale in case of maximum input.
- Implements the necessary anti-aliasing filter.
- Acts as an impedance buffer and ensures a low-impedance drive for the ADC.
- Combines these functions into one block for a more compact implementation.

The single-ended-to-differential conversion dictates a minimum gain of 2 V/V; the same single supply limits both single-ended and differential signals. A fixed gain provides better noise performance and avoids the complexity of variable-gain filters. The input signal to the filter is single-ended to reduce complexity and footprint.

For an 8-MHz clock frequency and 20-kHz signal band, the transition band is $\log(8 \times 106/24 \times 103) = 2.6$ decades. A one-pole filter would provide 20-dB/decade attenuation and a second-order filter would result in 104 dB of attenuation over the transition band. However, adding a third-order pole with a simple resistor-capacitor filter stage achieves the target 110-dB attenuation and adds some margin to accommodate for any degradation caused by amplifier-limited bandwidth, temperature drift or passive-component variances.

To keep the passband as flat as possible, a Butterworth approximation filter is the optimal choice. Among different realizations, a multiple-feedback filter (MFB) provides a single operational-amplifier (op amp) implementation with improved noise performance. The trade-offs are some restrictions on the design (Q and f_c are coupled) and more sensitivity to op-amp performance and passives tolerances. Using precision components overcomes the passives sensitivity, while a high gain-bandwidth (GBD) amplifier diminishes the op-amp effect.^[2]

For an approximately 20-kHz pole, an amplifier with a GBW > 20 MHz would ensure proper attenuation at an 8-MHz image frequency. Figure 3 shows the results of TI's FilterPro™ software synthesizing the required filter.

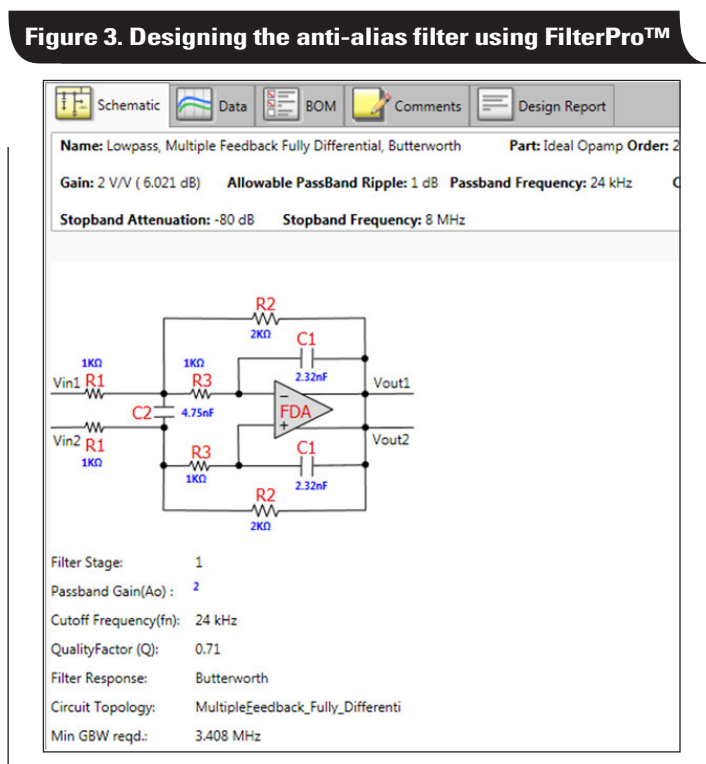


Figure 4 shows the actual implementation using the THS4551 fully differential amplifier, E192 0.1% resistors (E96 1% is an option) and C0G/NP0 5% capacitors. Adding a small capacitor to the input improves noise performance and a couple of small resistors at the output improves amplifier stability. The third pole is a simple RC filter with $R = 10 \Omega$ and $C = 22 \text{ nF}$, which can be added to the output of the circuit in Figure 4. As a single-ended-to-differential converter, one input of the amplifier connects to the common-mode voltage (V_{com}), which at the mid supply maximizes the input ADC range with the best linearity.

The TINA-TI™ software Monte Carlo circuit simulation shown in Figure 5 shows an accurate $20.55 \pm 0.15\text{-kHz}$ bandwidth, a minimum -110-dB image rejection at 8 MHz, an output impedance of $25 \pm 5 \Omega$ and an input impedance of $1.3 \text{ k}\Omega$ with a minimum -100 dB of supply rejection.

Figure 4. Actual implementation of filter/ADC driver stage

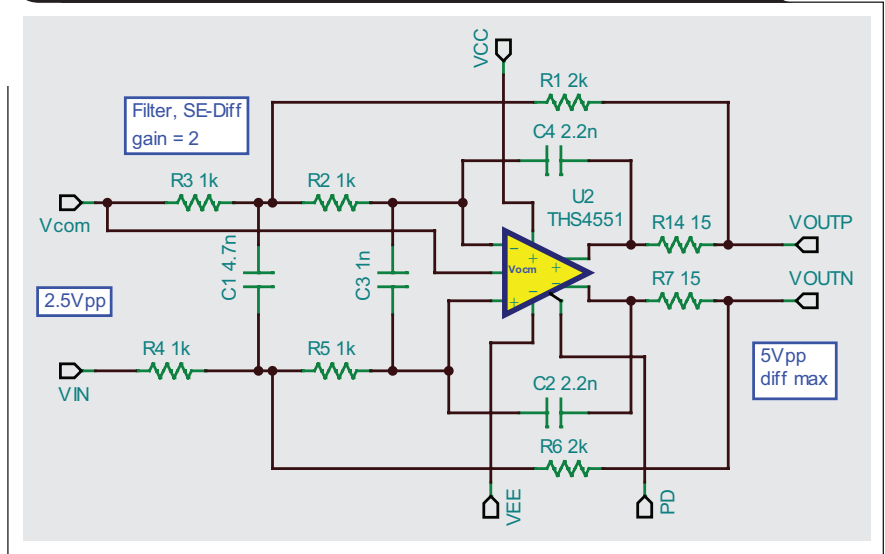
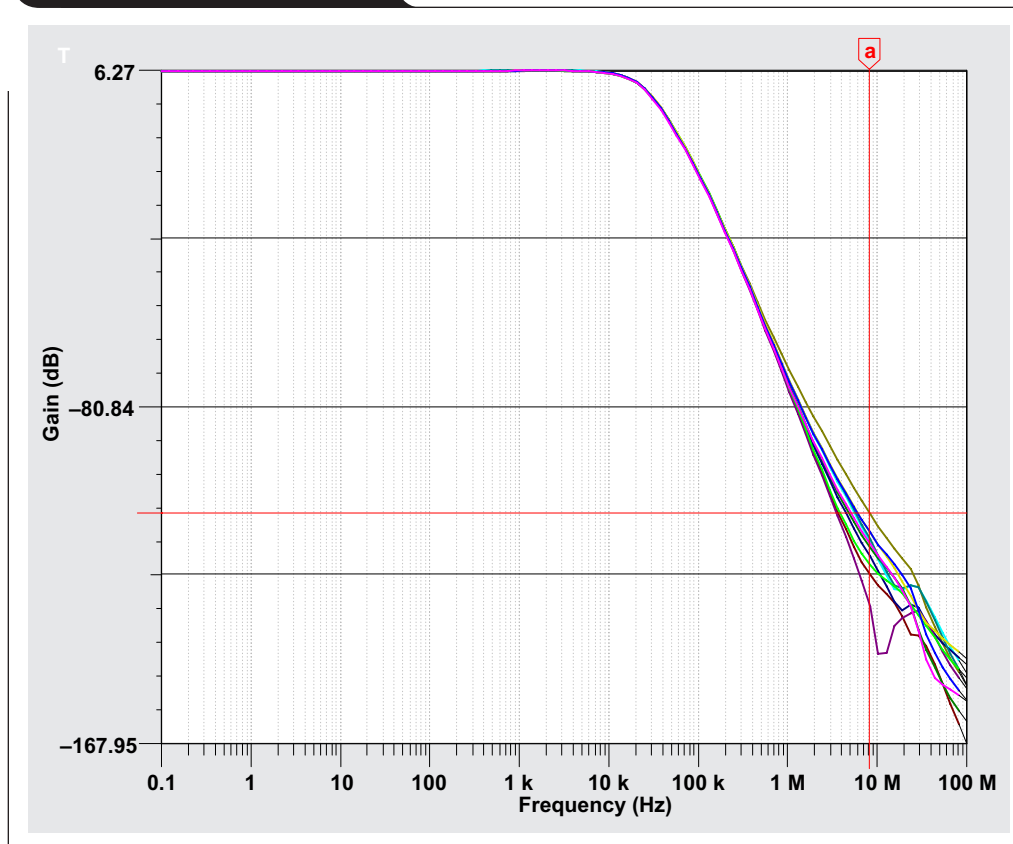


Figure 5. Filter AC simulation



Current source

The current source's main challenge is being a high-side source with a high-compliance-range voltage. As previously mentioned, digital programmability is very useful to serve different types of sensors and cables. Although absolute accuracy is not important, stability over the temperature range, supply voltage, and output voltage is important because the current change in these parameters will be interpreted as vibration input.

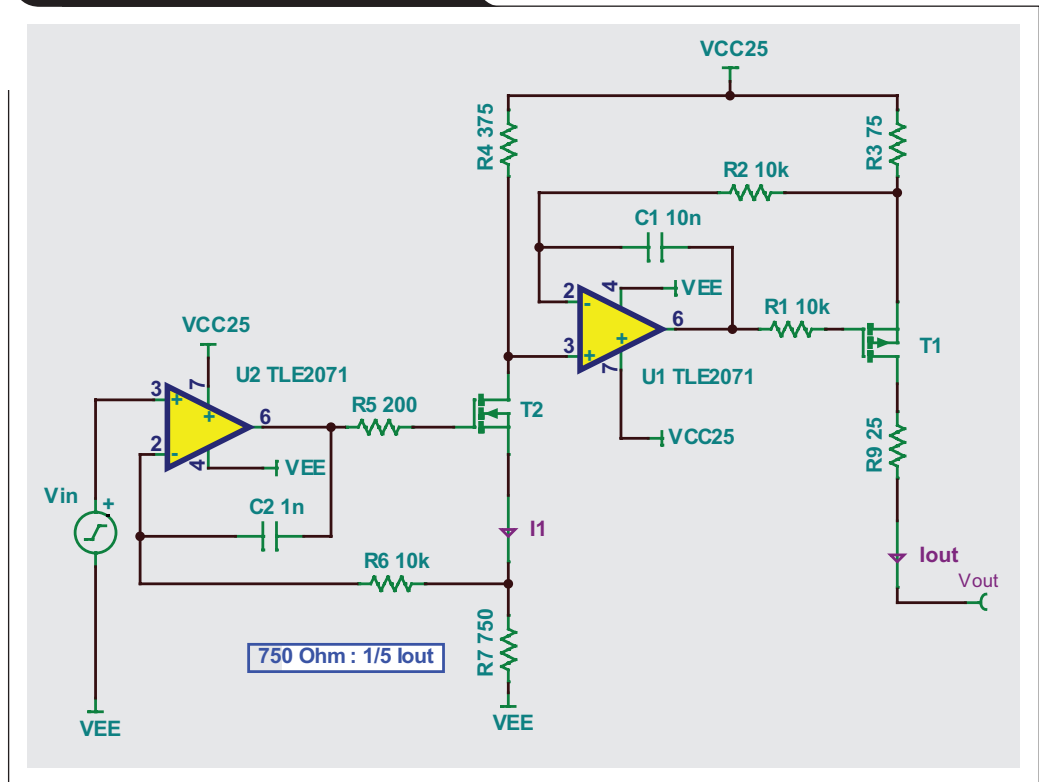
Constant-current diodes and discrete transistors are the simplest option for constant high-side current generation. A current reference is another option, but costly and not really required. A dedicated voltage-to-current converter can be used, but it might be inferior regarding noise. A simple op-amp voltage-to-current converter is an easy and flexible solution for configurable current, with a reasonable power consumption and footprint.

The circuit in Figure 6 allows the choice of input range and intermediate current in R7. For low headroom and a high compliance range, the circuit requires a high-voltage rail-to-rail op amp. The U2 op amp converts V_{in} to $I_1 = V_{in}/R_7$. R4 converts I_1 back to a voltage $V_m = V_{in} \times R_4/R_7$. The U1 op amp converts this voltage back to a current, $I_{out} = V_m \times R_4/(R_7 \times R_3)$.

The selection of proper values for the resistors achieves the proper scaling (3 V to 20 mA) while maintaining the voltage headroom at the output minimum and keeping I_1 current low. The output noise is proportional to I_{out}/I_1 , so there is a trade-off between power consumption and noise performance. Moreover, there is a trade-off between the power-supply rejection ratio (PSRR) and output voltage headroom on R3. This circuit achieves a PSRR better than 70 dB in the band of interest.

To implement the configurable current, a simple low-resolution SPI-controlled digital-to-analog converter (DAC) can serve as the input to the first U2 op amp, enabling low-cost digital control for the high-voltage current source.

Figure 6. High-side current source



Conclusion

PLC input modules for condition monitoring are currently on the rise. This article took step-by-step approach to build the knowledge needed in defining an analog interface for an IEPE vibration sensor while considering the design trade-offs.

References

1. Brian Pisani, "Digital Filter Types in Delta-Sigma ADCs," Texas Instruments Application Report (SBAA230), May 2017.
2. Michael Steffes, "Design Methodology for MFB Filters in ADC Interface Applications," Texas Instruments Application Report (SBOA114), February, 2006.

Related Web sites

Reference design:

IEPE Vibration Sensor Interface for PLC Analog Input

Design tools:

FilterPro™ WEBENCH® Active Filter Designer

TINA-TI™ Spice-Based Analog Simulation Program

TI Worldwide Technical Support

TI Support

Thank you for your business. Find the answer to your support need or get in touch with our support center at

www.ti.com/support

China: <http://www.ti.com.cn/guidedsupport/cn/docs/supporthome.tsp>

Japan: <http://www.tij.co.jp/guidedsupport/jp/docs/supporthome.tsp>

Technical support forums

Search through millions of technical questions and answers at TI's E2E™ Community (engineer-to-engineer) at

e2e.ti.com

China: <http://www.deyisupport.com/>

Japan: <http://e2e.ti.com/group/jp/>

TI Training

From technology fundamentals to advanced implementation, we offer on-demand and live training to help bring your next-generation designs to life. Get started now at

training.ti.com

China: <http://www.ti.com.cn/general/cn/docs/gencontent.tsp?contentId=71968>

Japan: <https://training.ti.com/jp>

Important Notice: The products and services of Texas Instruments Incorporated and its subsidiaries described herein are sold subject to TI's standard terms and conditions of sale. Customers are advised to obtain the most current and complete information about TI products and services before placing orders. TI assumes no liability for applications assistance, customer's applications or product designs, software performance, or infringement of patents. The publication of information regarding any other company's products or services does not constitute TI's approval, warranty or endorsement thereof.

A011617

E2E, FilterPro and TINA-TI are trademarks and WEBENCH is a registered trademark of Texas Instruments. All other trademarks are the property of their respective owners.

© 2018 Texas Instruments Incorporated.
All rights reserved.



SLYT749

IMPORTANT NOTICE FOR TI DESIGN INFORMATION AND RESOURCES

Texas Instruments Incorporated ("TI") technical, application or other design advice, services or information, including, but not limited to, reference designs and materials relating to evaluation modules, (collectively, "TI Resources") are intended to assist designers who are developing applications that incorporate TI products; by downloading, accessing or using any particular TI Resource in any way, you (individually or, if you are acting on behalf of a company, your company) agree to use it solely for this purpose and subject to the terms of this Notice.

TI's provision of TI Resources does not expand or otherwise alter TI's applicable published warranties or warranty disclaimers for TI products, and no additional obligations or liabilities arise from TI providing such TI Resources. TI reserves the right to make corrections, enhancements, improvements and other changes to its TI Resources.

You understand and agree that you remain responsible for using your independent analysis, evaluation and judgment in designing your applications and that you have full and exclusive responsibility to assure the safety of your applications and compliance of your applications (and of all TI products used in or for your applications) with all applicable regulations, laws and other applicable requirements. You represent that, with respect to your applications, you have all the necessary expertise to create and implement safeguards that (1) anticipate dangerous consequences of failures, (2) monitor failures and their consequences, and (3) lessen the likelihood of failures that might cause harm and take appropriate actions. You agree that prior to using or distributing any applications that include TI products, you will thoroughly test such applications and the functionality of such TI products as used in such applications. TI has not conducted any testing other than that specifically described in the published documentation for a particular TI Resource.

You are authorized to use, copy and modify any individual TI Resource only in connection with the development of applications that include the TI product(s) identified in such TI Resource. NO OTHER LICENSE, EXPRESS OR IMPLIED, BY ESTOPPEL OR OTHERWISE TO ANY OTHER TI INTELLECTUAL PROPERTY RIGHT, AND NO LICENSE TO ANY TECHNOLOGY OR INTELLECTUAL PROPERTY RIGHT OF TI OR ANY THIRD PARTY IS GRANTED HEREIN, including but not limited to any patent right, copyright, mask work right, or other intellectual property right relating to any combination, machine, or process in which TI products or services are used. Information regarding or referencing third-party products or services does not constitute a license to use such products or services, or a warranty or endorsement thereof. Use of TI Resources may require a license from a third party under the patents or other intellectual property of the third party, or a license from TI under the patents or other intellectual property of TI.

TI RESOURCES ARE PROVIDED "AS IS" AND WITH ALL FAULTS. TI DISCLAIMS ALL OTHER WARRANTIES OR REPRESENTATIONS, EXPRESS OR IMPLIED, REGARDING TI RESOURCES OR USE THEREOF, INCLUDING BUT NOT LIMITED TO ACCURACY OR COMPLETENESS, TITLE, ANY EPIDEMIC FAILURE WARRANTY AND ANY IMPLIED WARRANTIES OF MERCHANTABILITY, FITNESS FOR A PARTICULAR PURPOSE, AND NON-INFRINGEMENT OF ANY THIRD PARTY INTELLECTUAL PROPERTY RIGHTS.

TI SHALL NOT BE LIABLE FOR AND SHALL NOT DEFEND OR INDEMNIFY YOU AGAINST ANY CLAIM, INCLUDING BUT NOT LIMITED TO ANY INFRINGEMENT CLAIM THAT RELATES TO OR IS BASED ON ANY COMBINATION OF PRODUCTS EVEN IF DESCRIBED IN TI RESOURCES OR OTHERWISE. IN NO EVENT SHALL TI BE LIABLE FOR ANY ACTUAL, DIRECT, SPECIAL, COLLATERAL, INDIRECT, PUNITIVE, INCIDENTAL, CONSEQUENTIAL OR EXEMPLARY DAMAGES IN CONNECTION WITH OR ARISING OUT OF TI RESOURCES OR USE THEREOF, AND REGARDLESS OF WHETHER TI HAS BEEN ADVISED OF THE POSSIBILITY OF SUCH DAMAGES.

You agree to fully indemnify TI and its representatives against any damages, costs, losses, and/or liabilities arising out of your non-compliance with the terms and provisions of this Notice.

This Notice applies to TI Resources. Additional terms apply to the use and purchase of certain types of materials, TI products and services. These include; without limitation, TI's standard terms for semiconductor products (<http://www.ti.com/sc/docs/stdterms.htm>), [evaluation modules](#), and [samples](http://www.ti.com/sc/docs/sampterm.htm) (<http://www.ti.com/sc/docs/sampterm.htm>).

Mailing Address: Texas Instruments, Post Office Box 655303, Dallas, Texas 75265
Copyright © 2018, Texas Instruments Incorporated