

# Power consumption of LVPECL and LVDS

By Chris Sterzik

Applications Specialist, Interface Products

## Introduction

Single-ended emitter-coupled logic (ECL) has been in existence for over 30 years and is a proven high-speed technology. More recently, differential ECL has been introduced along with the variants of positive ECL (PECL) and low-voltage PECL (LVPECL). The common feature of all these devices is high signaling rates. ECL and its variants use bipolar technology to obtain these high data rates. The major benefit of bipolar technology is the relatively constant consumption of power over frequency, while a major cost of bipolar technology is the required termination.

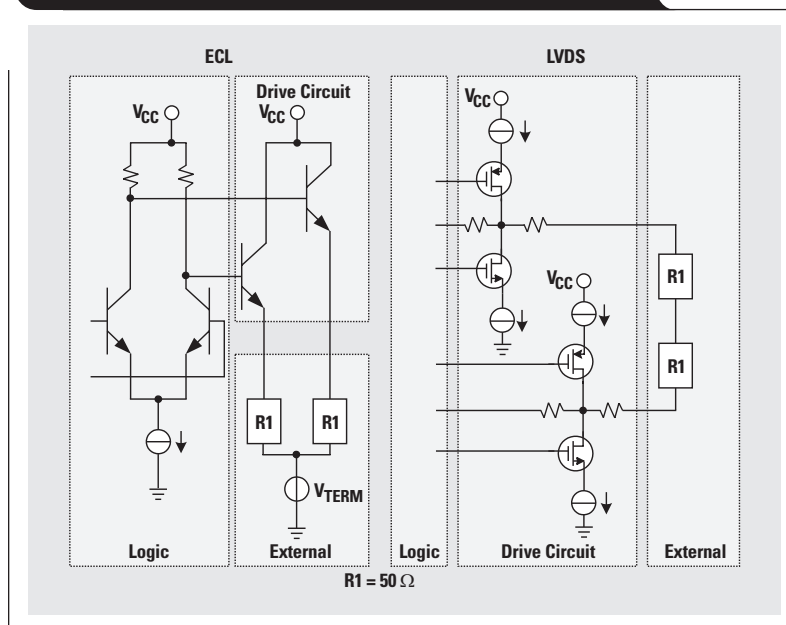
Even more recent than the introduction of differential ECL is the TIA/EIA-644 introduction of LVDS. While the standard does not specify a technology, CMOS and BiCMOS are common implementations. CMOS technology is often generalized as being low-power and low-speed. While it is true that the power consumption of CMOS devices increases linearly with speed,<sup>1-2</sup> new technologies using LinBiCMOS, such as the Texas Instruments LVDS product line, provide the benefits of both high speed and low power consumption.

## Power definition

Power, in the context of this document, is broken down into categories of external, drive circuit, and logic power, as shown in Figure 1. The external power consumption is simply the power consumed in the external termination. The drive circuit power is dissipated within the device and is a function of the output currents and the voltage drop across the driver circuit. The logic power is best described as the switch and bias power required by the IC.

The following discussion presents a theoretical approach to calculating the quiescent power dissipation for each of the categories. The devices being compared are LVPECL 1 to 10, LVDS 1 to 8 (SN65LVDS108), and LVDS 1 to 16 (SN65LVDS116) channel repeaters. Table 1 shows the values provided in the data sheets for the LVPECL and LVDS devices.

Figure 1. Models of ECL and LVDS output drivers and terminations



## Logic power dissipation

The logic power dissipation includes quiescent and active power. The bipolar device consumes a significant amount of quiescent power but almost no active power; that is to say, the power consumption is expected to be constant over frequency. In contrast, the BiCMOS device consumes very little quiescent power, but more power is consumed as the frequency increases. Since no real insight is given about the bias structures or the switching nodes for either device, the 250 and 330 mW calculated from the LVPECL device parameters represents the quiescent logic power dissipation. This assumption is made because only  $I_{EE}$  is provided in the LVPECL parameters and not  $I_{CC}$ . The LVDS logic power is calculated by subtracting the drive circuit and external power from the total quiescent power dissipation of 205 mW and 264 mW in Table 1.

Continued on next page

Table 1. Data sheet power consumption

	LVPECL	LVPECL	SN65LVDS108	SN65LVDS116
$V_{CC}$	2.5 V	3.3 V	3.3 V	3.3 V
$V_{EE}$	GND	GND	NA*	NA*
$I_{EE}$ (typical)	100 mA	100 mA	NA*	NA*
$I_{CC}$ (typical)	Not given**	Not given**	62 mA	80 mA
Power	250 mW	330 mW	204.6 mW	264 mW

\* NA = Not applicable.  $V_{EE}$  and  $I_{EE}$  are defined only on the LVPECL data sheet.

\*\*  $I_{CC}$  is not provided in the LVPECL data sheet.

Continued from previous page

### Drive circuit dissipation

The drive circuit power consumption does not include power dissipated in the line or the termination. The active components of the circuit driver are also difficult to calculate from the data sheet. However, by using Figure 1 and Equations 1 and 2 (pp. 49 and 51 in Reference 2), the amount of quiescent power consumed in the output structures for both the LVDS and LVPECL repeaters can be calculated. Table 2 lists the output specifications and the calculated drive circuit dissipation.

### External power dissipation

The external power consumption is assumed to have no active component, and any capacitive effects are negligible. The power loss through the media to the load is also considered to be negligible. Therefore, the only source of power dissipation is in the load and termination voltage. Table 3 shows the external power consumption obtained from Equations 3 and 4.

**Table 2. Theoretical quiescent power consumption of driver circuit**

	LVPECL 1:10	LVPECL 1:10	SN65LVDS108	SN65LVDS116
V <sub>CC</sub>	2.5 V	3.3 V	3.3 V	3.3 V
R1	50 Ω	50 Ω	50 Ω	50 Ω
V <sub>OH</sub> (typical)	1.48 V	2.28 V	1.41 V	1.41 V
V <sub>OL</sub> (typical)	0.68 V	1.48 V	1.09 V	1.09 V
V <sub>TERM</sub> (V <sub>CC</sub> - 2 V)	0 V*	1.3 V*	NA**	NA**
Power/channel	54.9 mW	26.5 mW	9.55 mW	9.55 mW
Number of channels	10	10	8	16
Total power	549 mW	265 mW	76.4 mW	152.8 mW

\*V<sub>TERM</sub> is the recommended data sheet value.

\*\*NA = Not applicable. No termination voltage is required for LVDS.

**Table 3. Calculated external power consumption**

	LVPECL 1:10	LVPECL 1:10	SN65LVDS108	SN65LVDS116
V <sub>CC</sub>	2.5 V	3.3 V	3.3 V	3.3 V
Power/channel	53.1 mW	50.0 mW	1.156 mW	1.156 mW
Number of channels	10	10	8	16
Total power	531 mW	500 mW	9.25 mW	18.5 mW

$$P_{ECL} = \frac{(V_{CC} - V_{OH})(V_{OH} - V_{TERM}) + (V_{CC} - V_{OL})(V_{OL} - V_{TERM})}{R1} \quad (1)$$

$$P_{LVDS} = R_B \times I^2 + R_A \times I^2 \quad (2)$$

$$I = \frac{(V_{OH} - V_{OL})}{2 \times R1}$$

$$R_B = \frac{(V_{CC} - V_{OH})}{I}; \quad R_A = \frac{(V_{OL} - V_{GND})}{I}$$

$$V_{GND} = 0 \text{ V}$$

$$P_{ECL} = \frac{(V_{OH} - V_{TERM})^2}{R1} + \frac{(V_{OL} - V_{TERM})^2}{R1} + V_{TERM} \left[ \frac{(V_{OH} - V_{TERM})}{R1} + \frac{(V_{OH} - V_{TERM})}{R1} \right] \quad (3)$$

$$P_{LVDS} = \frac{(V_{OH} - V_{OL})^2}{2 \times R1} \quad (4)$$

### Expected power dissipation of the LVPECL 1:10 repeater and LVDS repeaters

Figure 2 combines the quiescent power calculated from Tables 2 and 3 and uses the quiescent logic power of the LVPECL device and the total quiescent power of the LVDS devices in Table 1. The quiescent power consumption for the LVPECL device is much greater than that for the LVDS devices, even when only a 2.5-V  $V_{CC}$  is used. The only caveat is that this is quiescent power. While this is not significant for the bipolar LVPECL device, it is very significant for the CMOS devices, since the power consumption increases as a function of frequency. Figure 3 shows the expected power consumption of the three devices over frequency and extrapolated beyond the 622 Mbps maximum of the LVDS devices. The data over frequency is taken from the SN65LVDS108 and SN65LVDS116 data sheets, and the LVPECL device is assumed to be constant with no active power dissipation over frequency. With the data sheet values, the LVDS repeaters have an obvious power advantage over the LVPECL repeaters.

### Conclusion

Actual results of the SN65LVDS116 and the LVPECL repeater are presented in Reference 5. The variances in the LVDS measurements with the expected values in Figure 3 are attributed to differences in the loads used; the values in Figure 3 are taken from the SN65LVDS116 and SN65LVDS108 data sheets, where the loads have a capacitive component. The differences between expected and measured values for the 2.5-V and 3.3-V LVPECL are 9.8% and 4.8%, respectively. While there is a variance between the results in Figure 3 and the actual measurements, the trends are the same and the LVDS device provides low-power performance over the LVPECL from 50 to 600 Mbps operation.

### References

For more information related to this article, you can download an Acrobat Reader file at [www-s.ti.com/sc/techlit/litnumber](http://www-s.ti.com/sc/techlit/litnumber) and replace "litnumber" with the **TI Lit. #** for the materials listed below.

Document Title	TI Lit. #
1. <i>High-Speed CMOS Data</i> , Data Book, DL129/D Rev. 7 (ON Semiconductor, March 2000).	—
2. Howard Johnson and Martin Graham, <i>High-Speed Digital Design, A Handbook of Black Magic</i> (Prentice-Hall PTR, 1993).	—

Figure 2. Expected quiescent power allocation

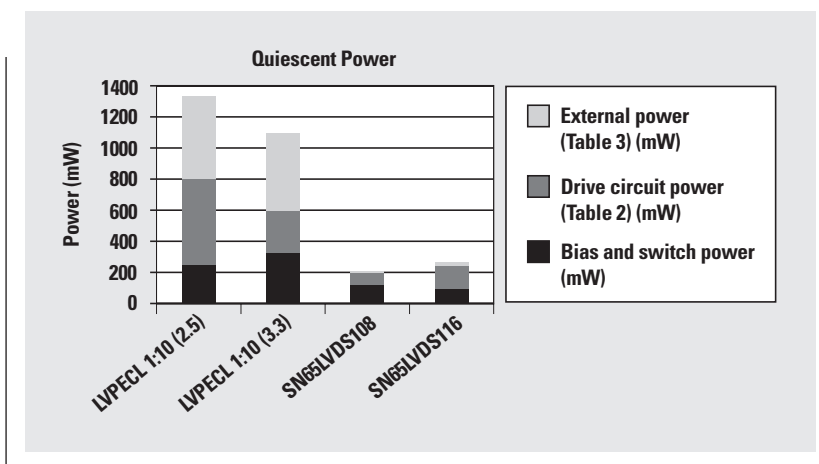
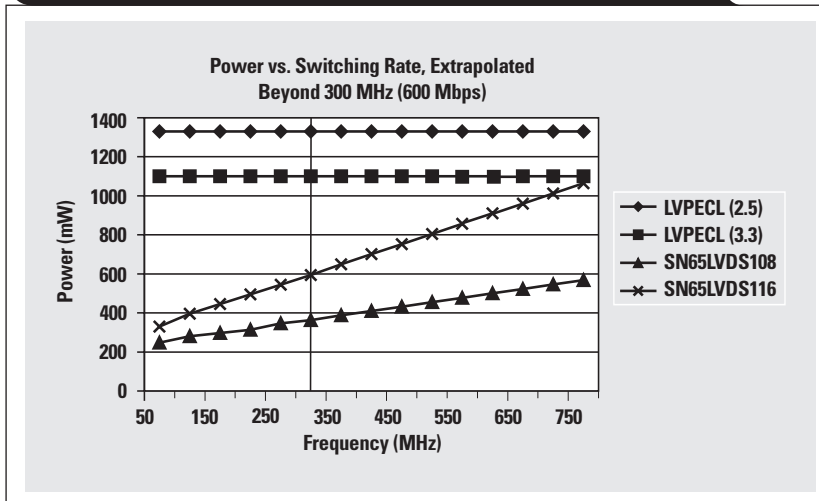


Figure 3. Expected power consumption over frequency



Document Title	TI Lit. #
3. "SN65LVDS116 16-Port LVDS Repeater," Data Sheet . . . . .	slls370
4. "SN65LVDS108 8-Port LVDS Repeater," Data Sheet . . . . .	slls399
5. "LVPECL and LVDS Power Comparison," Application Report . . . . .	slla103

### Related Web sites

[www.ti.com/sc/docs/products/analog/sn65lvds108.html](http://www.ti.com/sc/docs/products/analog/sn65lvds108.html)  
[www.ti.com/sc/docs/products/analog/sn65lvds116.html](http://www.ti.com/sc/docs/products/analog/sn65lvds116.html)

## IMPORTANT NOTICE

Texas Instruments Incorporated and its subsidiaries (TI) reserve the right to make corrections, modifications, enhancements, improvements, and other changes to its products and services at any time and to discontinue any product or service without notice. Customers should obtain the latest relevant information before placing orders and should verify that such information is current and complete. All products are sold subject to TI's terms and conditions of sale supplied at the time of order acknowledgment.

TI warrants performance of its hardware products to the specifications applicable at the time of sale in accordance with TI's standard warranty. Testing and other quality control techniques are used to the extent TI deems necessary to support this warranty. Except where mandated by government requirements, testing of all parameters of each product is not necessarily performed.

TI assumes no liability for applications assistance or customer product design. Customers are responsible for their products and applications using TI components. To minimize the risks associated with customer products and applications, customers should provide adequate design and operating safeguards.

TI does not warrant or represent that any license, either express or implied, is granted under any TI patent right, copyright, mask work right, or other TI intellectual property right relating to any combination, machine, or process in which TI products or services are used. Information published by TI regarding third-party products or services does not constitute a license from TI to use such products or services or a warranty or endorsement thereof. Use of such information may require a license from a third party under the patents or other intellectual property of the third party, or a license from TI under the patents or other intellectual property of TI.

Reproduction of information in TI data books or data sheets is permissible only if reproduction is without alteration and is accompanied by all associated warranties, conditions, limitations, and notices. Reproduction of this information with alteration is an unfair and deceptive business practice. TI is not responsible or liable for such altered documentation.

Resale of TI products or services with statements different from or beyond the parameters stated by TI for that product or service voids all express and any implied warranties for the associated TI product or service and is an unfair and deceptive business practice. TI is not responsible or liable for any such statements.

Following are URLs where you can obtain information on other Texas Instruments products and application solutions:

### Products

Amplifiers	<a href="http://amplifier.ti.com">amplifier.ti.com</a>
Data Converters	<a href="http://dataconverter.ti.com">dataconverter.ti.com</a>
DSP	<a href="http://dsp.ti.com">dsp.ti.com</a>
Interface	<a href="http://interface.ti.com">interface.ti.com</a>
Logic	<a href="http://logic.ti.com">logic.ti.com</a>
Power Mgmt	<a href="http://power.ti.com">power.ti.com</a>
Microcontrollers	<a href="http://microcontroller.ti.com">microcontroller.ti.com</a>

### Applications

Audio	<a href="http://www.ti.com/audio">www.ti.com/audio</a>
Automotive	<a href="http://www.ti.com/automotive">www.ti.com/automotive</a>
Broadband	<a href="http://www.ti.com/broadband">www.ti.com/broadband</a>
Digital control	<a href="http://www.ti.com/digitalcontrol">www.ti.com/digitalcontrol</a>
Military	<a href="http://www.ti.com/military">www.ti.com/military</a>
Optical Networking	<a href="http://www.ti.com/opticalnetwork">www.ti.com/opticalnetwork</a>
Security	<a href="http://www.ti.com/security">www.ti.com/security</a>
Telephony	<a href="http://www.ti.com/telephony">www.ti.com/telephony</a>
Video & Imaging	<a href="http://www.ti.com/video">www.ti.com/video</a>
Wireless	<a href="http://www.ti.com/wireless">www.ti.com/wireless</a>

## TI Worldwide Technical Support

### Internet

**TI Semiconductor Product Information Center Home Page**  
[support.ti.com](http://support.ti.com)

**TI Semiconductor KnowledgeBase Home Page**  
[support.ti.com/sc/knowledgebase](http://support.ti.com/sc/knowledgebase)

### Product Information Centers

#### Americas

Phone	+1(972) 644-5580	Fax	+1(972) 927-6377
Internet/Email	<a href="http://support.ti.com/sc/pic/americas.htm">support.ti.com/sc/pic/americas.htm</a>		

#### Europe, Middle East, and Africa

Phone			
Belgium (English)	+32 (0) 27 45 54 32	Netherlands (English)	+31 (0) 546 87 95 45
Finland (English)	+358 (0) 9 25173948	Russia	+7 (0) 95 7850415
France	+33 (0) 1 30 70 11 64	Spain	+34 902 35 40 28
Germany	+49 (0) 8161 80 33 11	Sweden (English)	+46 (0) 8587 555 22
Israel (English)	1800 949 0107	United Kingdom	+44 (0) 1604 66 33 99
Italy	800 79 11 37		
Fax	+49 (0) 8161 80 2045		
Internet	<a href="http://support.ti.com/sc/pic/euro.htm">support.ti.com/sc/pic/euro.htm</a>		

#### Japan

Fax			
International	+81-3-3344-5317	Domestic	0120-81-0036
Internet/Email			
International	<a href="http://support.ti.com/sc/pic/japan.htm">support.ti.com/sc/pic/japan.htm</a>		
Domestic	<a href="http://www.tij.co.jp/pic">www.tij.co.jp/pic</a>		

#### Asia

Phone			
International	+886-2-23786800		
Domestic	Toll-Free Number		
Australia	1-800-999-084	New Zealand	0800-446-934
China	800-820-8682	Philippines	1-800-765-7404
Hong Kong	800-96-5941	Singapore	800-886-1028
Indonesia	001-803-8861-1006	Taiwan	0800-006800
Korea	080-551-2804	Thailand	001-800-886-0010
Malaysia	1-800-80-3973		
Fax	886-2-2378-6808	Email	<a href="mailto:tiasia@ti.com">tiasia@ti.com</a>
Internet	<a href="http://support.ti.com/sc/pic/asia.htm">support.ti.com/sc/pic/asia.htm</a>		<a href="mailto:ti-china@ti.com">ti-china@ti.com</a>

**C011905**

**Safe Harbor Statement:** This publication may contain forward-looking statements that involve a number of risks and uncertainties. These "forward-looking statements" are intended to qualify for the safe harbor from liability established by the Private Securities Litigation Reform Act of 1995. These forward-looking statements generally can be identified by phrases such as "TI or its management believes," "expects," "anticipates," "foresees," "forecasts," "estimates" or other words or phrases of similar import. Similarly, such statements herein that describe the company's products, business strategy, outlook, objectives, plans, intentions or goals also are forward-looking statements. All such forward-looking statements are subject to certain risks and uncertainties that could cause actual results to differ materially from those in forward-looking statements. Please refer to TI's most recent Form 10-K for more information on the risks and uncertainties that could materially affect future results of operations. We disclaim any intention or obligation to update any forward-looking statements as a result of developments occurring after the date of this publication.

**Trademarks:** All trademarks are the property of their respective owners.

Mailing Address: Texas Instruments  
Post Office Box 655303  
Dallas, Texas 75265

© 2005 Texas Instruments Incorporated

SLYT127