

Protecting Radio, Baseband and Active Antenna Systems with TPS2352x Hot Swaps

Matthew Xiong

ABSTRACT

Technological advancements in radio units and antenna systems have pushed the semiconductor industry to develop improved power management solutions to support these higher power systems. One of these power management solutions, the hot swap controller, is a critical component that provides fault protection for the rest of the system. This application note will highlight some common challenges with current hot swap design and provide solutions to these challenges with the TPS2352x family.

Contents

1	Introduction	3
2	Optimizing Paralleled Power MOSFET Design	3
3	Maximizing Power Efficiency and MOSFET SOA	6
4	Hot Swap Transient Recovery	9
5	LM5067 vs TPS2352x Performance Comparison.....	12
6	References	16

List of Figures

1	Hot Swap Controller with Two Power MOSFETs in Parallel	3
2	Start Up	4
3	Hot Short.....	4
4	Dual Gate Drive with Two Power MOSFETs in Parallel	4
5	TPS2352x Start Up.....	4
6	TPS2352x Hot Short	4
7	Dual Gate Drive Saves Space and Cost by Using Smaller MOSFETs. Instead of Three D2PAK MOSFETS, Only One is Required.....	5
8	PSMN4R8-100BSE SOA with Single Current Limit.....	6
9	PSMN4R8-100BSE SOA with Power Limit.....	7
10	V_{IN} Step Causes Large V_{DS}	8
11	PSMN4R8-100BSE SOA with Dual Current Limit.....	9
12	Dual Current Limit on TPS2352x	9
13	V_{OUT} Droop Due to Transient Recovery Time.....	10
14	Soft Start Capacitors on MOSFET Gate	10
15	TPS2352x State Diagram	11
16	Soft Start Capacitor Effects on Transient Performance	11
17	Improved Transient Response with Soft Start Disconnect.....	12
18	Start Up.....	13
19	Start Up into Short	14
20	Hot Short	15
21	V_{IN} Step and Transient Response.....	16

List of Tables

-
- 1 Comparison of MOSFETS. For a single gate drive, all MOSFETs would need strong SOA (PSMN4R8).
With dual gate drive, Only one MOSFET requires strong SOA. 5

Trademarks

1 Introduction

Every generation of mobile telecommunications has introduced new improvements and features. 1G created the first mobile phones, 2G introduced SMS text messages, 3G enabled wireless internet access, and 4G LTE increased data rates five-fold. In the future, increasing user demand for higher bandwidths and capacity will continue to drive advancements in active antenna systems, radio units and other telecommunication systems.

However, these upgrades are not without cost. To implement many of these features, systems would need to consume higher amounts of power which makes optimization and efficiency crucial. In addition, the need for continuous connectivity in harsh operating environments puts challenging requirements on these systems to avoid resets during transient events. The hot swap protection circuit, in particular, is an area that is challenging to design due to these requirements.

In remote radio units (RRU), baseband units (BBU) and active antenna systems (AAS), hot swap controllers are almost universally placed at the -48 V input of the power subsystem. The purpose of this application note is to explain three traditional hot swap design challenges and how TI's TPS2352x family of -48 V hot swap controllers addresses these issues. These issues are: inefficient paralleled MOSFET design, oversizing MOSFETs due to poor safe operating area (SOA) utilization and slow transient recovery.

2 Optimizing Paralleled Power MOSFET Design

The biggest challenge in any hot swap design is ensuring that the power MOSFETs remain in their safe operating area (SOA) in all scenarios. As power levels have increased over time, large power MOSFETs with strong SOAs have been configured in parallel to support higher currents. [Figure 1](#) shows a general schematic with two MOSFETs placed in parallel for simplicity. However, when more MOSFETs are placed in parallel, the total on resistance ($R_{\text{DS(on)}}$) and total thermal dissipation decrease proportionately. In this common architecture, the gates of all the MOSFETs would be connected to a single gate drive on the hot swap controller.

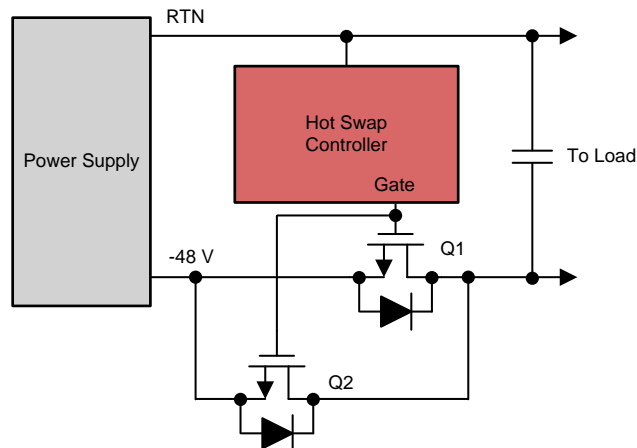
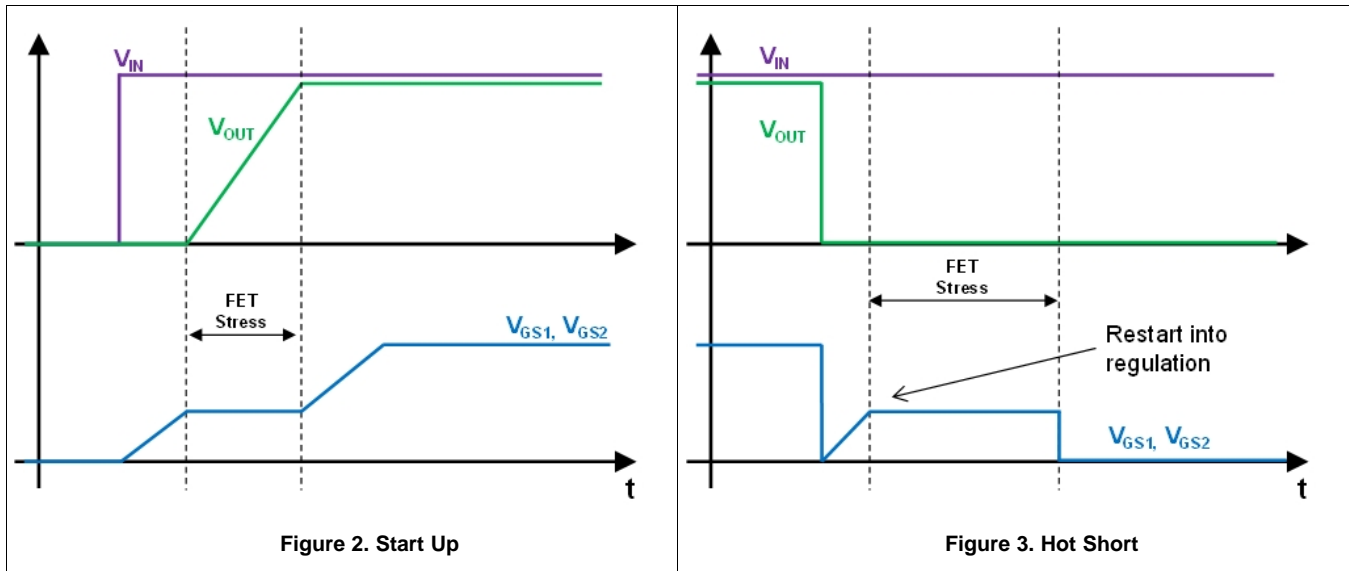


Figure 1. Hot Swap Controller with Two Power MOSFETs in Parallel

Often times, this creates an issue. During start-up, the gate drive will attempt to power up the MOSFETs simultaneously but due to parasitic gate threshold differences between MOSFETs (which can be greater than 2 V), there is no guarantee that they will begin conducting at the same time. On top of that, the MOSFETs will draw more current at high temperature when operated at a low V_{GS} . As a result, the MOSFET that initially draws more current will get hotter and draw even more current leading to a greater imbalance in current sharing between the MOSFETs. This will continue until both MOSFETs are fully turned on. (For more information, please read "[Robust Hot Swap Design](#)").

While this may not seem like an issue, the stress exerted on these MOSFETs during startup can be significant. Since it's difficult to determine which MOSFET will be taking the bulk of the stress due to the variable gate thresholds, every MOSFET in parallel must have a strong enough SOA to survive the event as if it were the only MOSFET handling the power. On a similar note, fault events such as short circuits on the output also exert large amounts of stress on the MOSFETs, so designers need to ensure that the MOSFETs remain in their SOA during this condition as well.



In our basic two MOSFET example, [Figure 2](#) and [Figure 3](#) depict the MOSFET stress during start up and during a hot short circuit event. To survive these events, both MOSFETs require strong SOA which usually means larger packages and higher costs. With more MOSFETs in parallel, this cost and size can quickly compound.

2.1 Dual Hot Swap Gate Drive

The TPS23521 and TPS23523 hot swap controllers address this issue by adding an independent, second gate drive shown in [Figure 4](#). The addition of GATE2 allows the second MOSFET (Q2) and any other paralleled MOSFETs to power up after the MOSFET on GATE (Q1) is fully on. This ensures that only the Q1 MOSFET is exposed to stresses during power up, hot short and other stressful events.

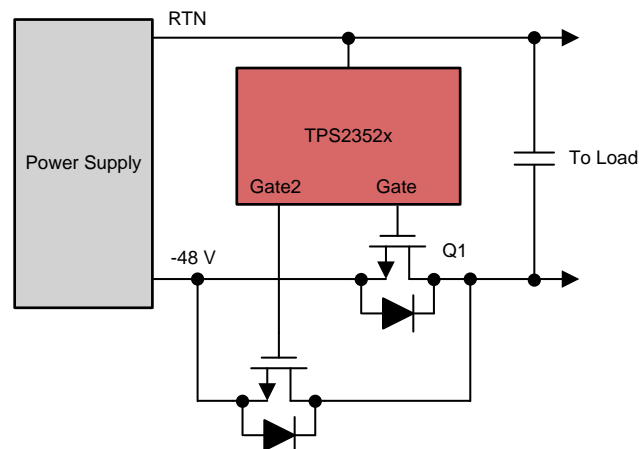
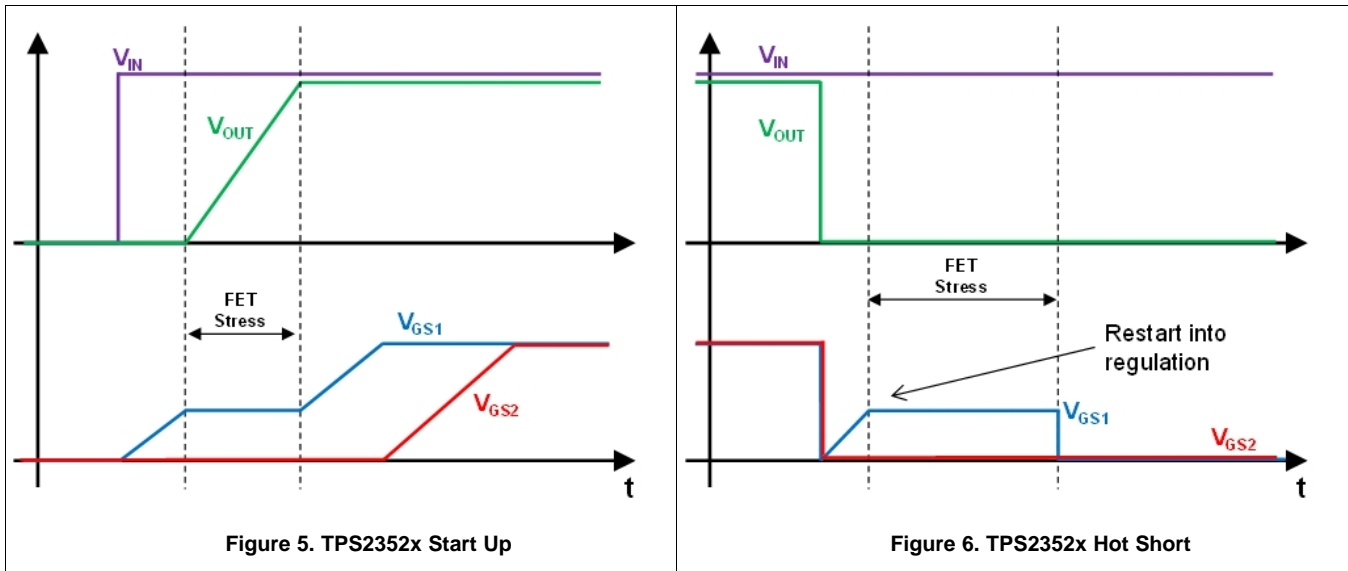


Figure 4. Dual Gate Drive with Two Power MOSFETs in Parallel



For example, during start up in [Figure 5](#), Q1 would begin to turn on and conduct current while Q2 is fully off. Once Q1 conduction begins, current begins to flow and Q1 begins to take on stress as output voltage ramps. After V_{out} ramps to the maximum level, Q1 continues to increase its gate-source voltage until it reaches a threshold of 7.25 V (typical). It is only after this point that Q2 and all the additional MOSFETs turn on.

When a hot short circuit occurs, all MOSFETs turn off within 300 ns. Immediately after, the Q1 MOSFET slowly turns back on to determine if the short is still present. If the short circuit remains, the hot swap will enter regulation mode for a configurable fault time and then the Q1 MOSFET will turn off. Q2 does not turn back on until the fault is removed and startup stress has passed.

In summary, with the dual gate drive feature, only one MOSFET needs to have strong SOA since only one MOSFET will be exposed to harsh stresses. All additional MOSFETs can be connected to the second gate drive which would only power up after the first MOSFET is enhanced. Since the additional MOSFETs do not require strong SOA, designers can choose these MOSFETs to optimize $R_{DS(on)}$, cost and space.

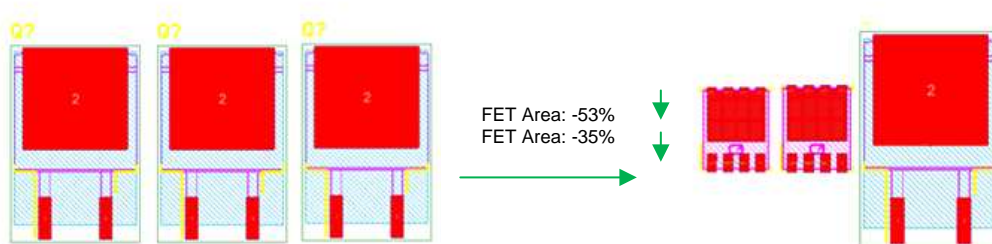


Figure 7. Dual Gate Drive Saves Space and Cost by Using Smaller MOSFETs. Instead of Three D2PAK MOSFETs, Only One is Required.

Table 1. Comparison of MOSFETs. For a single gate drive, all MOSFETs would need strong SOA (PSMN4R8). With dual gate drive, Only one MOSFET requires strong SOA.

	PSMN4R8-100BSEJ	CSD19532Q5B
V_{DS} Rating (V)	100 V	100 V
$R_{DS(on)}$, max (mΩ)	4.8	4.9
$R_{DS(on)}$, max at 125°C	9.6	8.82
10 ms, 70 V SOA (W)	260	70
10 ms, 10 V SOA (W)	800	200
Package	D2PAK	SON

Table 1. Comparison of MOSFETS. For a single gate drive, all MOSFETS would need strong SOA (PSMN4R8). With dual gate drive, Only one MOSFET requires strong SOA. (continued)

	PSMN4R8-100BSEJ	CSD19532Q5B
Size	15 mm x 10 mm	5 mm x 6 mm
Price (1ku)	\$1.90	\$0.89

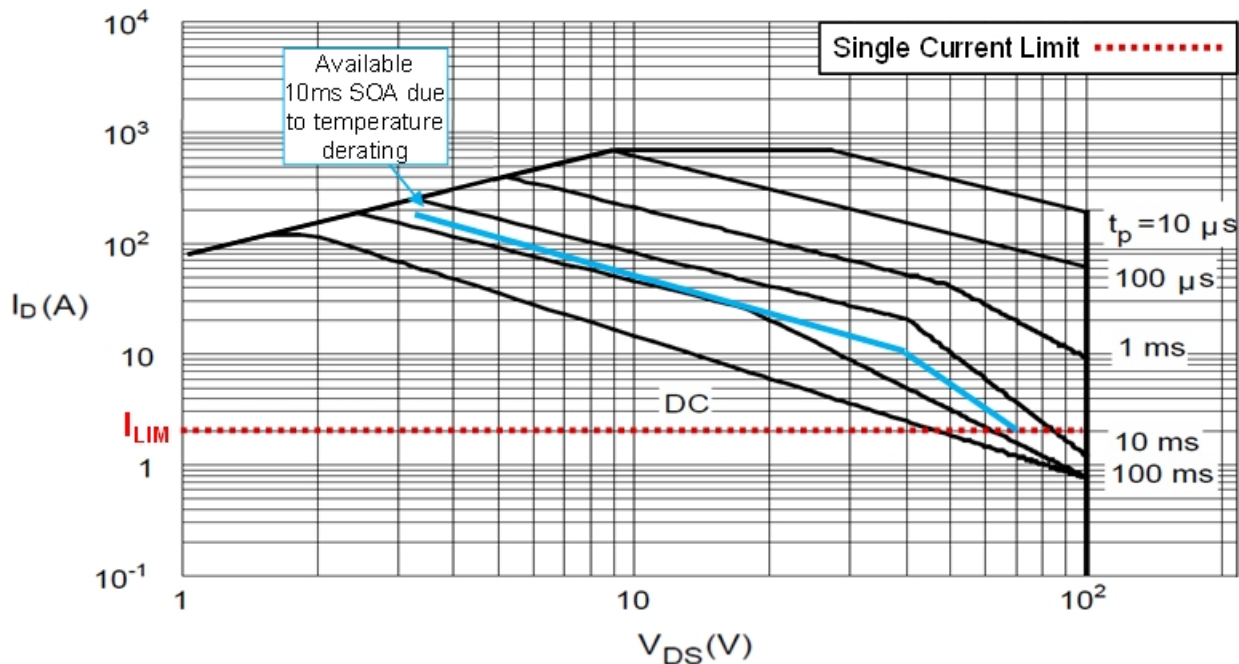
3 Maximizing Power Efficiency and MOSFET SOA

One of the most important features in any hot swap protection circuit is limiting the current to safe levels. If the current limit is not properly managed, the power MOSFET, sensitive integrated circuits and other components can be damaged during unwanted overcurrent conditions. Many hot swap controllers allow the user to set a current limit threshold. Once the MOSFET current exceeds this threshold, the hot swap will either decrease the gate voltage of the MOSFET to regulate the current back to the threshold, or open the MOSFET completely and stop all current from flowing.

3.1 Single Current Limit

While this current limit threshold is usually adjustable, it does not allow for full utilization of a power MOSFETs SOA.

Let's take a look an example with a PSMN4R8-100BSE MOSFET. Our example system has a $V_{IN, MAX}$ of 72 V and the fault timer of our hot swap controller is set to be 10 ms. Below is the PSMN4R8-100BSE power MOSFET SOA curve at 25°C.


Figure 8. PSMN4R8-100BSE SOA with Single Current Limit

Since the fault timer has been set at 10 ms, the SOA of interest is the one for a 10 ms pulse (third curve from the bottom). Since this curve is taken at 25°C, we must decrease the SOA by 50% to account for temperature derating. The resulting "Available 10 ms SOA" is approximated by the blue curve. As we can see from this plot, the current should not exceed 2 A at 72 V or it would violate the SOA and damage the MOSFET. Therefore, current limit should be set at 2 A (dotted red line).

While a single current limit of 2 A would ensure that the MOSFET stays in its SOA for a $V_{IN,MAX}$ of 72 V, it does not make good use of the MOSFET's SOA at lower V_{DS} . For example, when the MOSFET is fully enhanced, the $R_{DS(ON)}$ and V_{DS} will both be low. In this range, the MOSFET can safely pass more current. However, the actual current would be capped by the current limit (in this case, 2 A) even if the entire system can handle higher power. Therefore, having just a single current limit is an inefficient solution.

3.2 Power Limit

A better solution to the single current limit issue is a feature called power limit. Power limit measures the V_{DS} and current through the MOSFET to ensure that the total power does not exceed a given pre-programmed threshold. Power limit also includes a single current limit that is active at low V_{DS} . At higher V_{DS} , power across the MOSFET increases and power limit ensures that the $V_{DS} \times I_{DS}$ doesn't exceed its pre-programmed threshold.

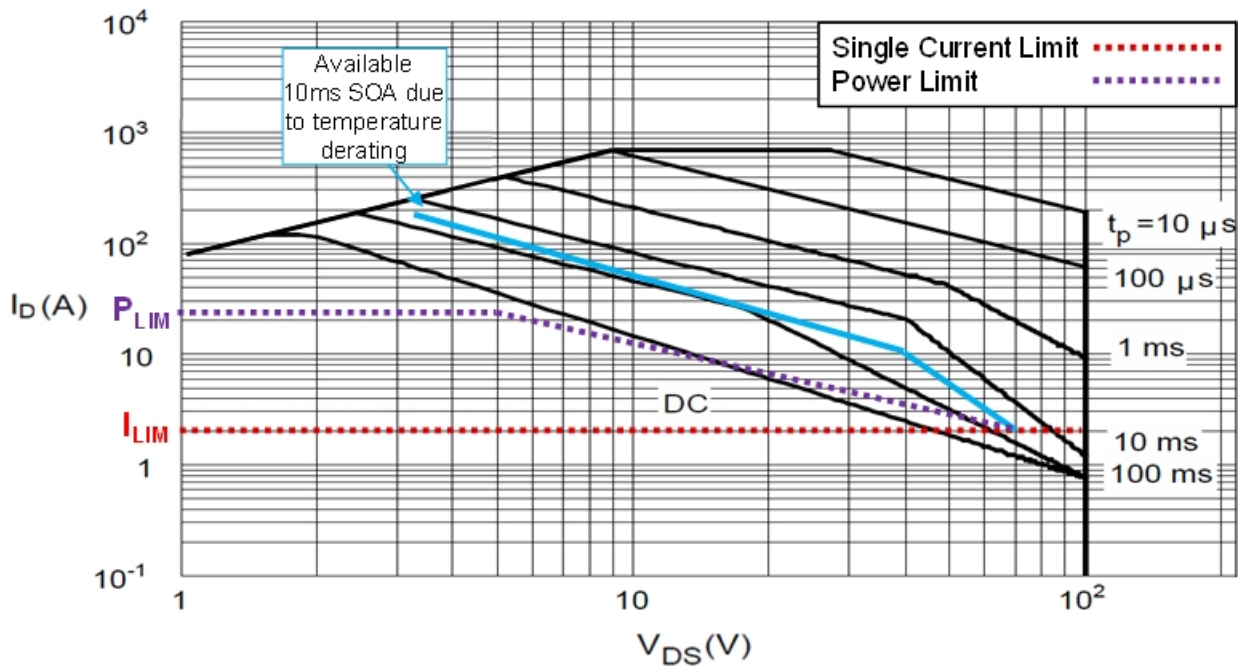


Figure 9. PSMN4R8-100BSE SOA with Power Limit

The purple curve above shows the current limit to be set at 25 A with the power limit (P_{LIM}) at 130 W. This solution makes significantly better use of the MOSFET's SOA compared to the single current limit while still maintaining proper protection for the MOSFET. In this example, the power limit solution allows the MOSFET to pass approximately 5 V_{DS} at 25 A before regulating. However, if there were a larger V_{IN} step such that V_{DS} exceeds 6 V, the Hot Swap would begin to regulate the MOSFET. There are two scenarios where this would be an issue.

During normal operation, an intentional V_{IN} step from -48 V to -60 V would create a transient drop of 12 V_{DS} shown in Figure 10. If the load was drawing 20 A of current, the power across the MOSFET would reach $12 \times 20 \text{ A} = 260 \text{ W}$ which exceeds the power limit threshold. Although this does not exceed the SOA of the MOSFET, the Hot Swap will begin to power limit and potentially shut off the device.

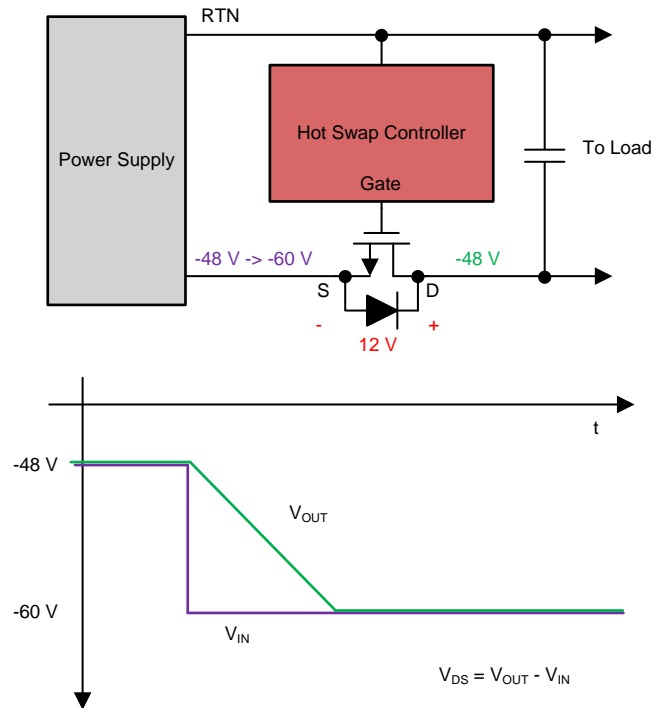


Figure 10. V_{IN} Step Causes Large V_{DS}

Another scenario would be during brownouts. During brownout faults, the input voltage would drop suddenly to zero and restart back to the original voltage level in a short period of time. During the dead time when input voltage is 0 V, the output would decay based on $I = C \cdot dV/dt$. Once the input voltage returns, there will be a large transient V_{DS} drop across the MOSFET similar to the input voltage step scenario.

In these scenarios, the SOA of the MOSFET is not violated so it would be beneficial for the Hot Swap to pass this transient instead of regulating.

3.3 Dual Current Limit

The TPS2352x family addresses the shortcomings of single current limit and power limit by implementing a dual current limit feature. Dual current limit allows the user to program two current limit thresholds (one at higher V_{DS} and one at lower V_{DS}) along with the voltage threshold where the switch occurs.

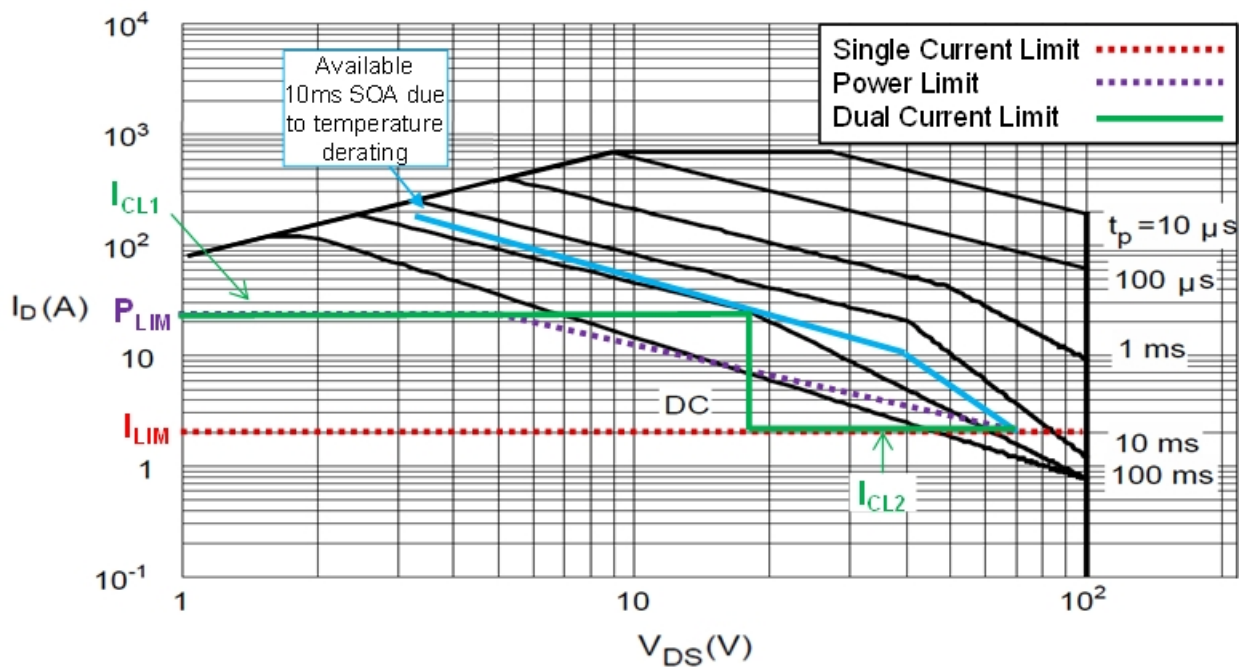


Figure 11. PSMN4R8-100BSE SOA with Dual Current Limit

By setting a higher current limit (I_{CL1}) at lower V_{DS} , the MOSFET's SOA utilization is maximized to pass higher current and higher power during full enhancement. Dual current limit also has better transient performance than power limit during brownouts and VIN steps since it maintains I_{CL1} to a higher V_{DS} voltage. As a result, the MOSFET will not regulate unnecessarily when SOA boundaries are not violated. When higher voltages are dropped across the MOSFET, it cannot be exposed to the same current levels at lower V_{DS} . To address this, a programmable switchover threshold ($V_{DS, SW}$) will implement the lower current limit (I_{CL2}) at high V_{DS} to ensure the power remains within the MOSFET's SOA.

These dual current limits (I_{CL1} , I_{CL2}) and switchover threshold ($V_{DS, SW}$) can be configured by selecting the appropriate R_{SNS} and R_D resistors.

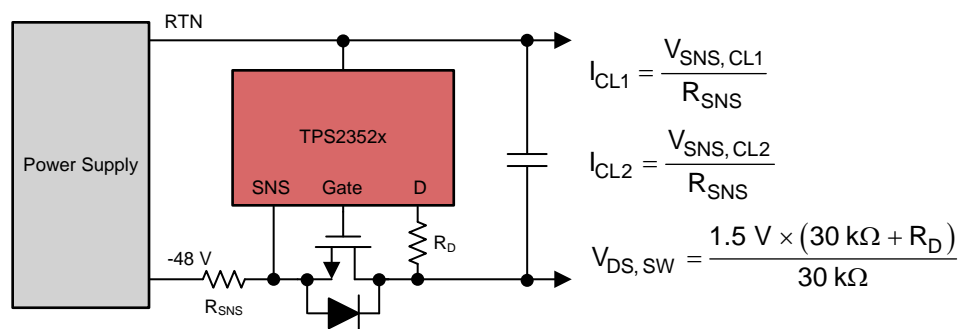


Figure 12. Dual Current Limit on TPS2352x

4 Hot Swap Transient Recovery

In harsh operating environments, lightning strikes, inductive coupling and other events can cause transients surges at any time. While a hot swap must first and foremost protect the system against these events, how it recovers after the transient passes is also crucial. For example, if lightning strikes a radio unit, the hot swap must be able to disconnect and shield the system from this event with minimal delay. However, if the hot swap does not reconnect right after the transient has passed, the system could shut off due to lack of power.

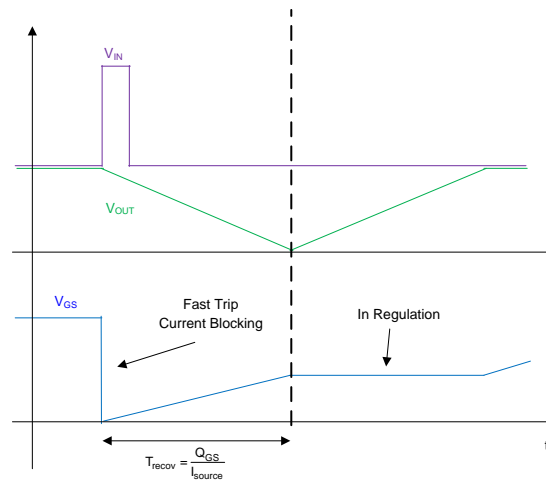


Figure 13. V_{OUT} Droop Due to Transient Recovery Time

When a transient exceeds a fault threshold in typical hot swap applications, the hot swap will immediately pull down the MOSFET gate voltage to prevent the transient from reaching the system. Since power is also disconnected from the system, V_{OUT} will begin to discharge. During this time period, the hot swap will begin sourcing current to the MOSFET gate to bring V_{GS} back up to the V_{GS} threshold required to turn on the MOSFET. If the transient has passed, the MOSFET will turn back on and V_{OUT} will rise back to its pre-transient level. During this recovery period, it is critical that V_{OUT} does not droop past a certain level or the system could shut down due to lack of power. Since V_{OUT} droop is directly correlated to the time it takes for the MOSFET to turn back on, T_{RECOV} should be minimized.

There are two ways to minimize the recovery time (T_{RECOV}) which is given by the equation below:

$$T_{RECOV} = \frac{Q_{GS}}{I_{SOURCE}} \tag{1}$$

One way to minimize the recovery time is to increase the gate sourcing current (I_{SOURCE}). The stronger the gate sourcing current, the faster the MOSFET will restart after a transient and minimize drooping on V_{OUT}.

The second way is to decrease Q_{GS} which is the gate charge required to turn on the MOSFET. Many hot swaps today have large capacitors on the gate to provide soft starting capabilities to manage inrush current and output voltage rise time (shown in Figure 14). These gate capacitors are important because they provide a controlled output rise time and limit inrush current as to not exceed the MOSFET SOA or damage downstream circuitry. However, after start up, these capacitors also increase the Q_{GS} which in turn proportionately increases the transient recovery time.

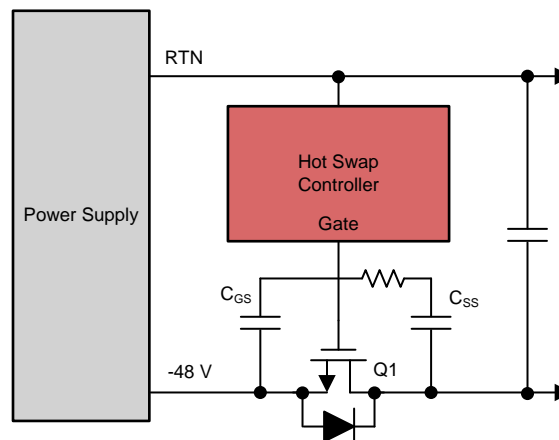


Figure 14. Soft Start Capacitors on MOSFET Gate

4.1 Gate Sourcing Current

The TPS2352x family optimizes transient recovery by increasing I_{SOURCE} and decreasing Q_{GS} .

During regular start up state, the TPS2352x sources 20 μA of current to the MOSFET gate to assist with soft start. After the MOSFET turns on, the hot swap enters the “normal operation” state and the gate sourcing current increases to 400 μA shown in Figure 15. When transient fault occurs, the MOSFET will turn off but the hot swap remains in the normal operation state for a deglitch time. During this time, the source current remains at 400 μA to charge the gate voltage quickly. Compared to a typical hot swap sourcing current of 40-50 μA , the strong sourcing current of the TPS2352x reduces recovery time and output voltage droop tenfold.

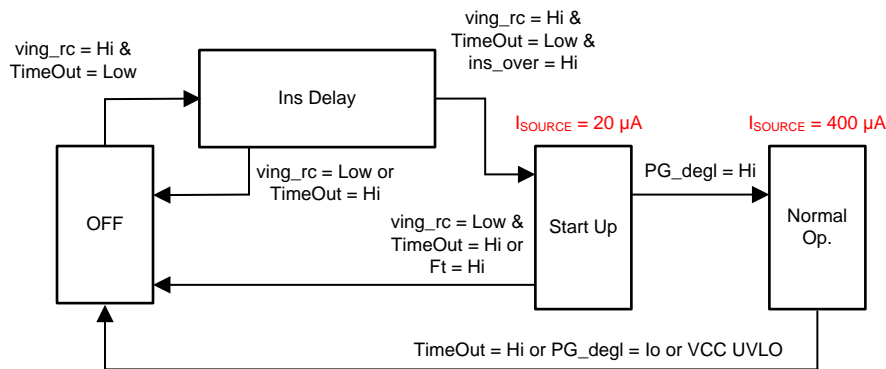


Figure 15. TPS2352x State Diagram

4.2 Soft Start Disconnect

As mentioned earlier, soft start capacitors on the gate are typically used to control output voltage rise time and manage inrush current. However, these capacitors deteriorate transient recovery by slowing down the time it takes for the MOSFET to turn off (since the capacitors need to be discharged) and slowing down the time it takes the MOSFET to turn back on after the fault (since the capacitors need to be recharged).

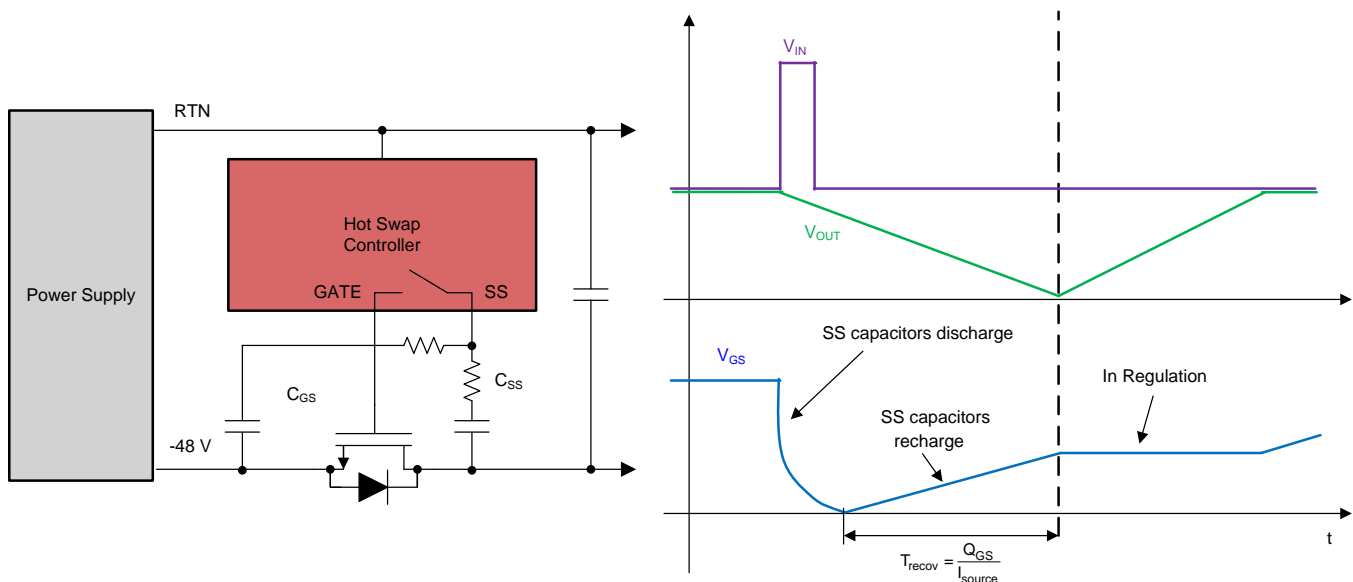


Figure 16. Soft Start Capacitor Effects on Transient Performance

In the TPS2352x, the soft start capacitors are initially connected to the gate during startup but are disconnected in normal operation. This “soft start disconnect” feature combines the protection and inrush management benefits of traditional soft start circuitry with improved transient response during a fault. Since the capacitors are no longer connected when transients occur, the Q_{GS} decreases and transient recovery time improves.

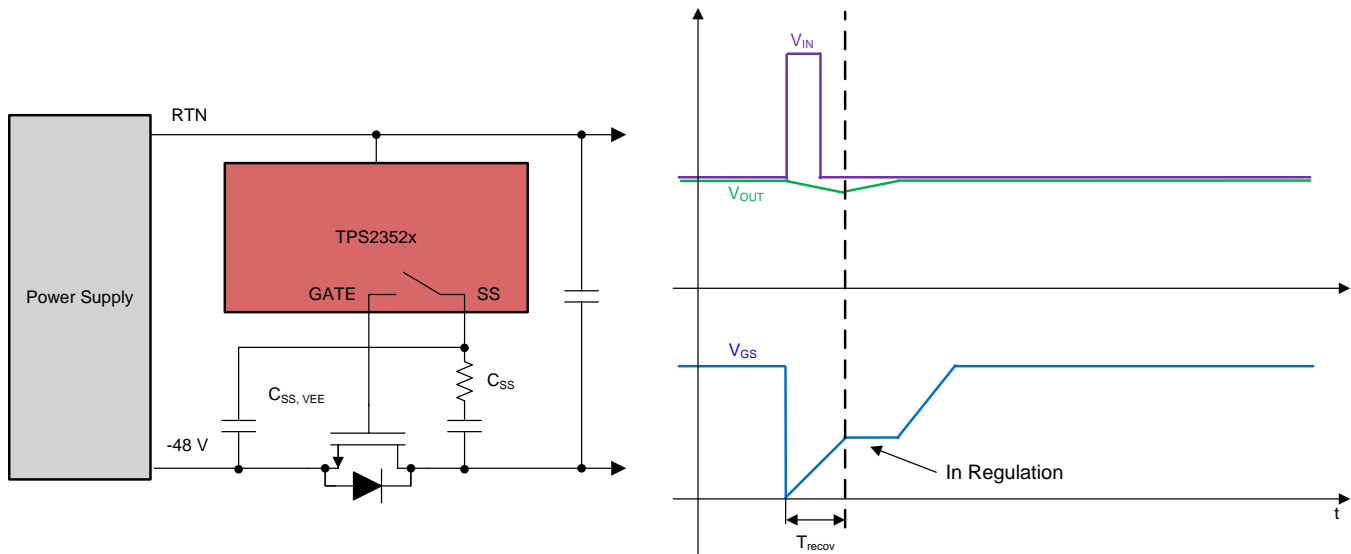


Figure 17. Improved Transient Response with Soft Start Disconnect

By incorporating a strong sourcing current of 400 μ A along with soft start disconnect, the TPS2352x optimizes transient recovery to minimize output voltage droop.

5 LM5067 vs TPS2352x Performance Comparison

This section compares the performance of the LM5067, a popular -48 V hot swap controller with the TPS2352x.

The test conditions are given below:

LM5067

- $C_{OUT} = 550 \mu\text{F}$
- $I_{LIM} = 12.5 \text{ A}$
- $P_{LIM} = 75 \text{ W}$
- Timer = 27.52 ms (2x typical start time)

TPS2352x

- $C_{OUT} = 550 \mu\text{F}$
- $I_{LIM} = 12.5 \text{ A}$
- $C_{SS} = 33 \text{ nF}$ (Output $dV/dt = 0.6 \text{ V/ms}$)
- $C_{SS,VEE} = 100 \text{ nF}$

5.1 Start Up

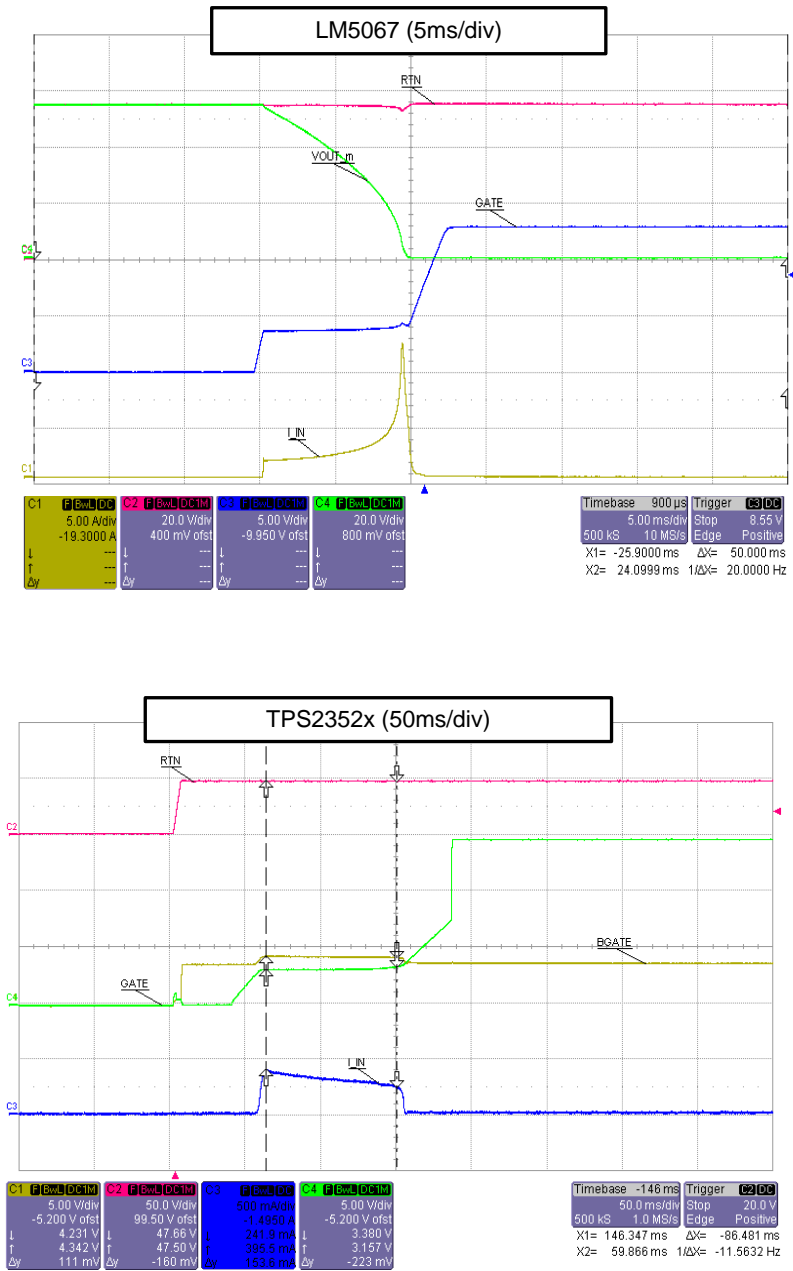


Figure 18. Start Up

On start up, approximately 1.5 A of input current flows through the LM5067 MOSFETs while only 0.4 A flows through the TPS2352x MOSFETs.

5.2 Start Up into Short

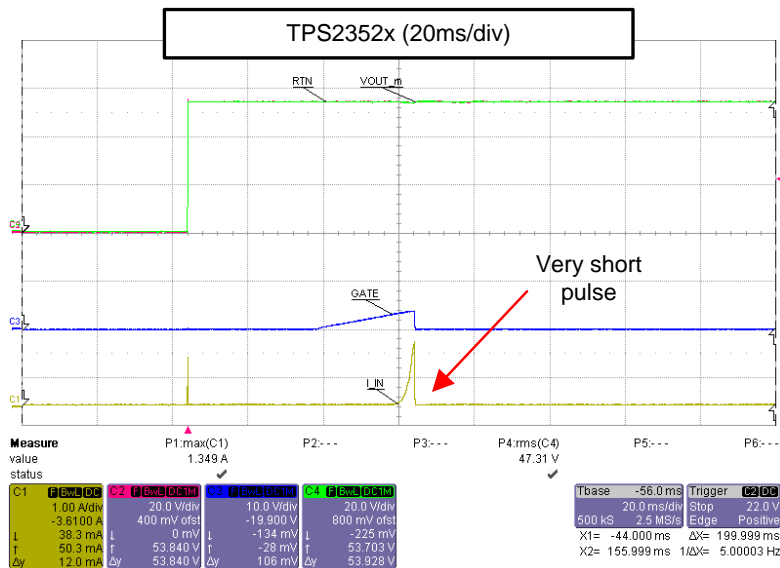
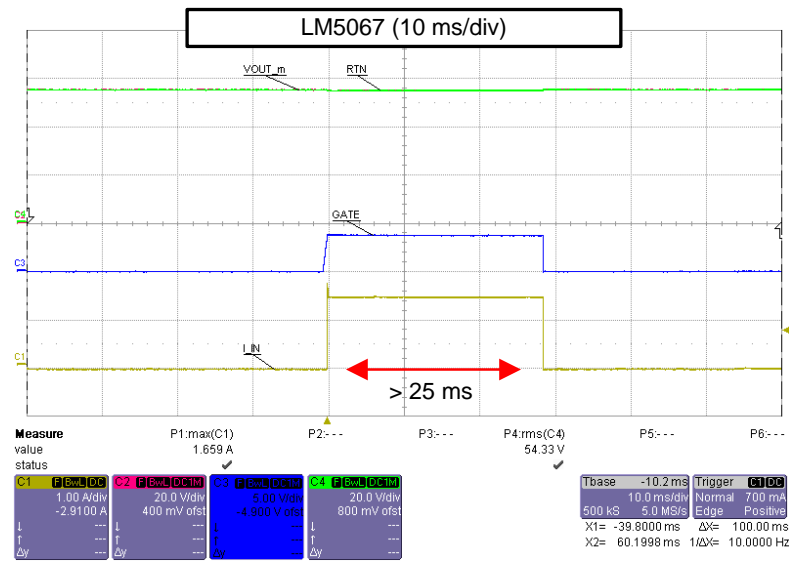


Figure 19. Start Up into Short

The TPS2352x's dual current limit feature allows the current limit to be set to 1.5 A. This allows the hot swap to have a short timer and as a result, the MOSFET is less stressed during a start up into a short circuit. In contrast, the LM5067 MOSFET is exposed to 1.5 A for 25 ms since the timer must be set for 2x the typical start time for margin.

5.3 Hot Short

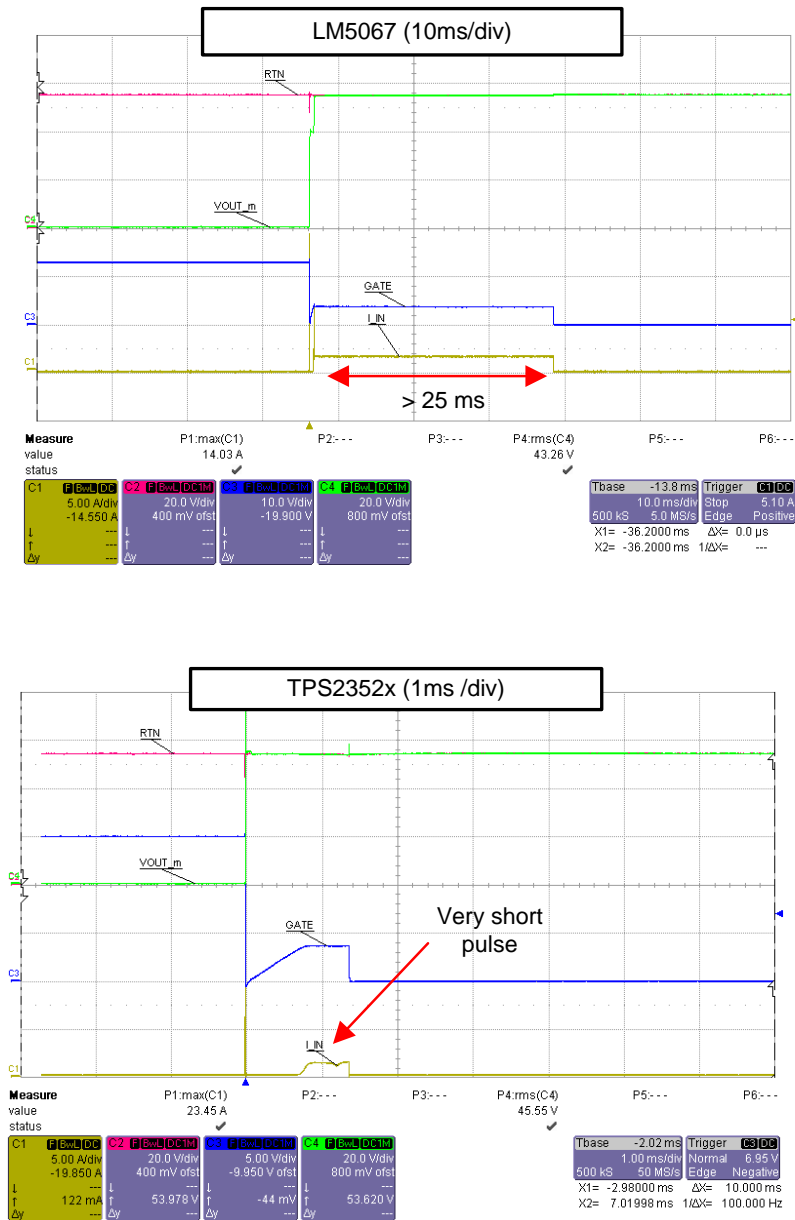


Figure 20. Hot Short

When a hot short occurs in normal operation, the TPS2352x MOSFETs are again exposed to significantly less power than the LM5067 MOSFETs.

5.4 V_{IN} Step and Transient Response

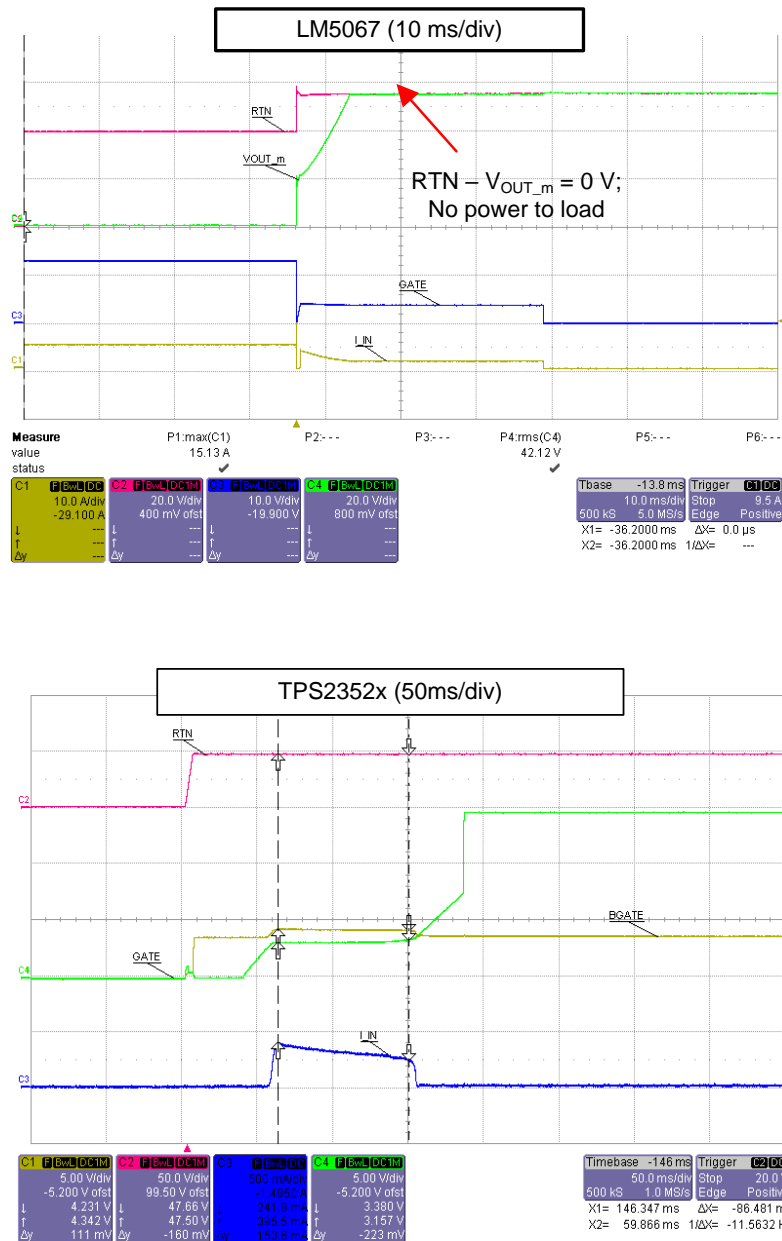


Figure 21. V_{IN} Step and Transient Response

When V_{IN} steps from -40 V to -55 V , the system shuts down with the LM5067 since the hot swap was unable to reconnect power back to the system before V_{OUT} drooped below a critical level. In contrast, the strong sourcing current, soft start disconnect and dual I_{LIM} of the TPS2352x minimize output voltage droop and keeps the system on during transients.

6 References

- *Robust Hot Swap Design (SLVA673A)*
- TPS23521 Datasheet, December 2017
- TPS23523 Datasheet, December 2017
- TPS23525 Datasheet, December 2017
- PSMN4R8-100BSE Datasheet, NXP Semiconductors, 4/12/2013

IMPORTANT NOTICE FOR TI DESIGN INFORMATION AND RESOURCES

Texas Instruments Incorporated ("TI") technical, application or other design advice, services or information, including, but not limited to, reference designs and materials relating to evaluation modules, (collectively, "TI Resources") are intended to assist designers who are developing applications that incorporate TI products; by downloading, accessing or using any particular TI Resource in any way, you (individually or, if you are acting on behalf of a company, your company) agree to use it solely for this purpose and subject to the terms of this Notice.

TI's provision of TI Resources does not expand or otherwise alter TI's applicable published warranties or warranty disclaimers for TI products, and no additional obligations or liabilities arise from TI providing such TI Resources. TI reserves the right to make corrections, enhancements, improvements and other changes to its TI Resources.

You understand and agree that you remain responsible for using your independent analysis, evaluation and judgment in designing your applications and that you have full and exclusive responsibility to assure the safety of your applications and compliance of your applications (and of all TI products used in or for your applications) with all applicable regulations, laws and other applicable requirements. You represent that, with respect to your applications, you have all the necessary expertise to create and implement safeguards that (1) anticipate dangerous consequences of failures, (2) monitor failures and their consequences, and (3) lessen the likelihood of failures that might cause harm and take appropriate actions. You agree that prior to using or distributing any applications that include TI products, you will thoroughly test such applications and the functionality of such TI products as used in such applications. TI has not conducted any testing other than that specifically described in the published documentation for a particular TI Resource.

You are authorized to use, copy and modify any individual TI Resource only in connection with the development of applications that include the TI product(s) identified in such TI Resource. NO OTHER LICENSE, EXPRESS OR IMPLIED, BY ESTOPPEL OR OTHERWISE TO ANY OTHER TI INTELLECTUAL PROPERTY RIGHT, AND NO LICENSE TO ANY TECHNOLOGY OR INTELLECTUAL PROPERTY RIGHT OF TI OR ANY THIRD PARTY IS GRANTED HEREIN, including but not limited to any patent right, copyright, mask work right, or other intellectual property right relating to any combination, machine, or process in which TI products or services are used. Information regarding or referencing third-party products or services does not constitute a license to use such products or services, or a warranty or endorsement thereof. Use of TI Resources may require a license from a third party under the patents or other intellectual property of the third party, or a license from TI under the patents or other intellectual property of TI.

TI RESOURCES ARE PROVIDED "AS IS" AND WITH ALL FAULTS. TI DISCLAIMS ALL OTHER WARRANTIES OR REPRESENTATIONS, EXPRESS OR IMPLIED, REGARDING TI RESOURCES OR USE THEREOF, INCLUDING BUT NOT LIMITED TO ACCURACY OR COMPLETENESS, TITLE, ANY EPIDEMIC FAILURE WARRANTY AND ANY IMPLIED WARRANTIES OF MERCHANTABILITY, FITNESS FOR A PARTICULAR PURPOSE, AND NON-INFRINGEMENT OF ANY THIRD PARTY INTELLECTUAL PROPERTY RIGHTS.

TI SHALL NOT BE LIABLE FOR AND SHALL NOT DEFEND OR INDEMNIFY YOU AGAINST ANY CLAIM, INCLUDING BUT NOT LIMITED TO ANY INFRINGEMENT CLAIM THAT RELATES TO OR IS BASED ON ANY COMBINATION OF PRODUCTS EVEN IF DESCRIBED IN TI RESOURCES OR OTHERWISE. IN NO EVENT SHALL TI BE LIABLE FOR ANY ACTUAL, DIRECT, SPECIAL, COLLATERAL, INDIRECT, PUNITIVE, INCIDENTAL, CONSEQUENTIAL OR EXEMPLARY DAMAGES IN CONNECTION WITH OR ARISING OUT OF TI RESOURCES OR USE THEREOF, AND REGARDLESS OF WHETHER TI HAS BEEN ADVISED OF THE POSSIBILITY OF SUCH DAMAGES.

You agree to fully indemnify TI and its representatives against any damages, costs, losses, and/or liabilities arising out of your non-compliance with the terms and provisions of this Notice.

This Notice applies to TI Resources. Additional terms apply to the use and purchase of certain types of materials, TI products and services. These include; without limitation, TI's standard terms for semiconductor products (<http://www.ti.com/sc/docs/stdterms.htm>), [evaluation modules](#), and [samples](http://www.ti.com/sc/docs/sampterm.htm) (<http://www.ti.com/sc/docs/sampterm.htm>).

Mailing Address: Texas Instruments, Post Office Box 655303, Dallas, Texas 75265
Copyright © 2018, Texas Instruments Incorporated