

# **System Noise Analysis of a Resistive Bridge Pressure Sensor Connected to the PGA900**

Miro Oljaca, Hector Torres, Mark Hamlyn

Enhanced Industrial

## ABSTRACT

In this application note we will do a system noise analysis of the PGA900 connected to a resistive bridge pressure sensor. First, we will measure the noise referred to the output for the PGA900. Then, using these measurement results we will calculate the noise-free resolution and effective resolution of the PGA900 for its analog-to-digital converter operating at 64- and 128- $\mu$ s output data rates and different gain setups. Next, we will summarize the trend between the output resolution and the signal bandwidth when an additional moving average filter is applied. Finally, we will prove that an increase in resolution is minimal for gains set up greater than 80 V/V.

## Contents

1	Introduction .....	2
2	PGA and ADC System Noise .....	2
3	Applying Additional Digital Filter .....	5
4	Conclusion .....	8
5	References .....	8

## List of Figures

1	PGA900 Noise Measurement Test Circuit.....	2
2	Histogram of the Measurement Codes for Gain of 80 V/V .....	3
3	PGA900 RTI Noise vs Gain .....	4
4	ADC Filter Response (DR = 15.6 kSPS) .....	5
5	ADC Filter Response (DR = 7.8 kSPS).....	5
6	ADC and Filter Output With Decimation Ratio by a Factor of M = 32 .....	6

## List of Tables

1	Effective Resolution from RMS Noise (Noise-Free Bits from Peak-to-Peak Noise) .....	4
2	RTI Noise in $\mu$ V <sub>RMS</sub> ( $\mu$ V <sub>PP</sub> ).....	4
3	Dynamic Performances of PGA900 With Added Moving Average Filter .....	6
4	Effective Resolution from RMS Noise (Noise-Free Bits from Peak-to-Peak Noise) With Added Moving Average Filter .....	7
5	RTI Noise in $\mu$ V <sub>RMS</sub> ( $\mu$ V <sub>PP</sub> ) With Added Moving Average Filter .....	7

## 1 Introduction

When designing mixed signal systems, the most important factor is the accuracy of the output information. Observing the PGA900 connected to a resistive bridge pressure sensor, the excitation signal will create a voltage that will then be gained by the internal instrumentation amplifier (IA) and passed to the internal analog-to-digital converter (ADC). The output of the PGA900 ADC will then be processed by the internal digital filter before it is available at the PGA900 output.

In this signal chain environment, there are many places where the signal can be corrupted and create inaccurate output data. The main problem for this measurement system is that noise can mask the signal.

The user can analyze several sources of noise separately:

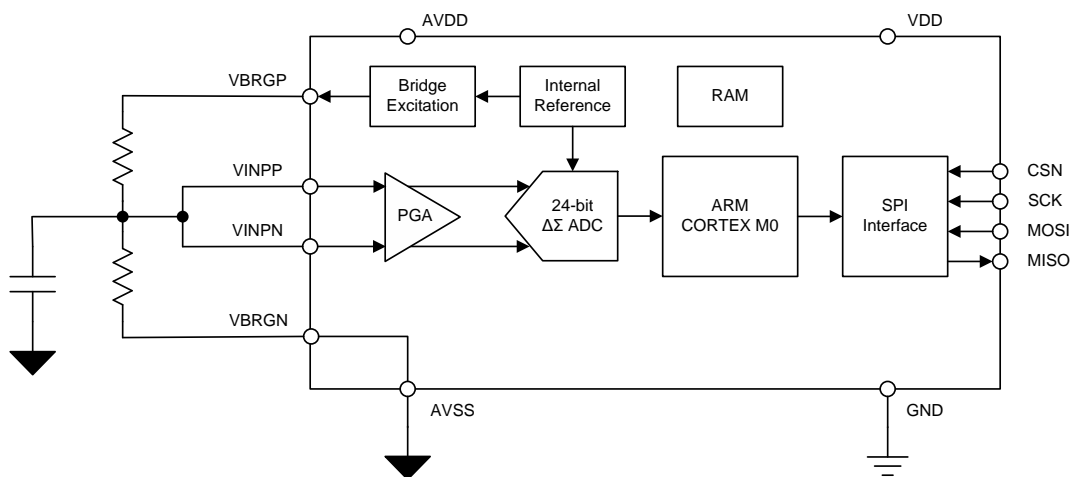
- Resistive bridge noise
- IA gain stage noise
- ADC noise
- Reference voltage

Instead of analyzing each single source of noise, this application note examines total noise that is present at the system output and uses this information to determine the best achievable resolution of the input signal.

## 2 PGA and ADC System Noise

Delta-sigma ( $\Delta\Sigma$ ) analog-to-digital converters (ADCs) are based on the principle of oversampling. The input signal of a  $\Delta\Sigma$  ADC is sampled at a high frequency (modulator frequency) and subsequently filtered and decimated in the digital domain to yield a conversion result at the respective output data rate (DR). The ratio between modulator frequency and output data rate is called oversampling ratio (OSR). By increasing the OSR, and thus reducing the output data rate, the noise performance of the ADC can be optimized. In other words, the input referred noise drops when reducing the output data rate because more samples of the internal modulator are averaged to yield one conversion result. The delta-sigma modulator of the PGA900 is second order with the output word size of 4 bits and a sampling frequency of 1 MHz. The output of the modulator passes through a third-order digital low-pass Sinc filter that has an adjustable decimation ratio or OSR of 64 or 128. Output DR is 15.6 kSPS and 7.8 kSPS respectively.

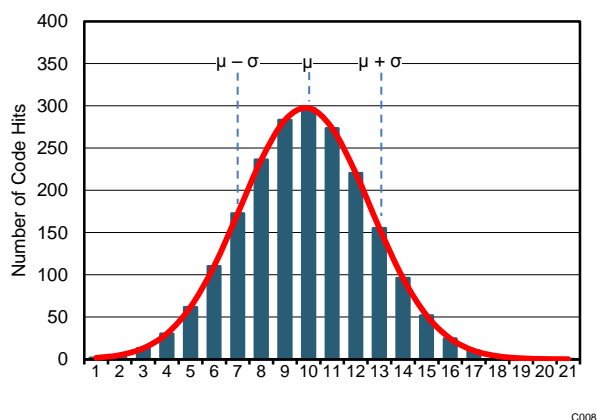
To measure the amount of noise at the output of the PADC, the inputs VINPP and VINPN of the PGA900 are short circuited and connected to a heavily-decoupled, common mode voltage source. We used internal reference voltage as the voltage source to keep measurements ratiometric. [Figure 1](#) shows the measurement setup.



**Figure 1. PGA900 Noise Measurement Test Circuit**

In most cases the conversion result is directly proportional to the stability of the reference sources. Any noise and drift of the voltage reference is reflected in the conversion result. Using internal voltage reference for ADC and bridge excitation allows the implementation of ratiometric measurements. In a ratiometric measurement the same excitation voltage source that is used to excite the sensor is also used to establish the reference for the ADC. The circuit in [Figure 1](#) employs a ratiometric measurement approach. In other words, the sensor signal (that is, the voltage across the resistive bridge in this case) and the reference voltage for the ADC are derived from the same excitation source. Therefore, errors resulting from temperature drift or noise of the excitation source cancel out because these errors are common to both the sensor signal and the reference.

Then, 2048 output samples are collected that are representative of typical noise performance at  $T_A = 25^\circ\text{C}$  using the internal 2.5-V reference. Data are the result of averaging readings from a single device over a time period of approximately 0.26 and 0.13 seconds depending on OSR selection. These samples are then plotted as a histogram and analyzed. Example of histogram for OSR of 128 and the gain setting of 80 V/V is shown in [Figure 2](#). Bin width is 57.3 codes, standard deviation  $\sigma$  is 157.3 codes and range is 1146 codes.



**Figure 2. Histogram of the Measurement Codes for Gain of 80 V/V**

Device noise is approximately Gaussian in its distribution, the standard deviation of the histogram,  $\sigma$ , corresponds to the effective output's rms noise. This rms noise is expressed in terms of LSBs. The corresponding rms input voltage and rms output noise are referenced to the ADC full-scale input range (FSR), which is  $\pm 2.5\text{ V}$  for the PGA900.

Knowing the peak-to-peak noise, the noise-free code resolution of the PGA900 ADC can be defined as the number of bits of resolution beyond which it is impossible to distinctly resolve individual codes, [Equation 2](#). The ratio of the full-scale range to the rms input noise (rather than peak-to-peak noise) is sometimes used to calculate resolution, [Equation 1](#). In this case, the term effective resolution was used. Note that under identical conditions, effective resolution is larger than noise-free code resolution by  $\log_2(6.6)$ , or approximately 2.7 bits.

Because of the similarity of the terms, effective number of bits (ENOB) and effective resolution are often assumed to be equal. This assumption is not correct. ENOB is derived from a FFT analysis of the ADC output when the ADC is stimulated with a full-scale sine-wave input signal. SINAD and ENOB are used to measure the dynamic performance of an ADC, while effective resolution and noise-free code resolution are used to measure the noise of the ADC under essentially dc input conditions, where quantization noise and distortion are not a problem.

Noise measurements with shorted inputs are repeated for different gain settings. [Table 1](#) and [Table 2](#) summarize the device noise performance. [Table 1](#) list the effective resolution calculated from  $\sigma$ , rms noise codes from histogram, using [Equation 1](#). Note that noise-free resolution is calculated from peak-to-peak noise values, also from histogram analysis, using [Equation 2](#) as shown in parenthesis.

$$\text{Effective resolution} = \log_2 \frac{2^{24}}{\text{rms noise (LSBs)}} \quad (1)$$

$$\text{Noise-free resolution} = \log_2 \frac{2^{24}}{\text{peak-to-peak noise (LSBs)}} \quad (2)$$

Table 2 lists the corresponding input-referred noise in units of  $\mu\text{V}_{\text{RMS}}$  for the conditions shown previously. Note that  $\mu\text{V}_{\text{PP}}$  values are shown in parenthesis. RMS noise voltage is calculated from effective resolution where their relationship is shown in Equation 3. Peak-to-peak noise voltage and its relationship to noise-free resolution is shown in Equation 4.

$$\text{Effective resolution} = \log_2 \frac{\text{Full-scale range}}{e_n (V_{\text{RMS}})} \quad (3)$$

$$\text{Noise-free resolution} = \log_2 \frac{\text{Full-scale range}}{e_n (V_{\text{PP}})} \quad (4)$$

$$\text{Full-scale range} = \frac{2 \times V_{\text{REF}}}{\text{GAIN}} \quad (5)$$

**Table 1. Effective Resolution from RMS Noise (Noise-Free Bits from Peak-to-Peak Noise)**

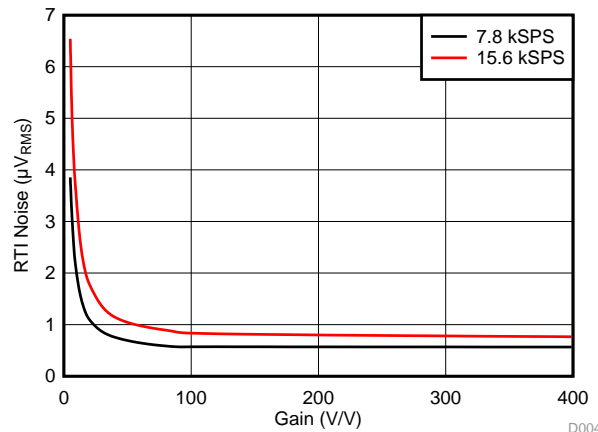
DR (SPS)	GAIN (V/V)							
	5	9.09	14.29	22.22	40	80	133.3	400
7813	18.0 (15.1)	18.0 (15.2)	17.9 (14.9)	17.7 (15.0)	17.3 (14.4)	16.7 (13.8)	16.0 (13.2)	14.4 (11.6)
15625	17.2 (14.6)	17.2 (14.4)	17.2 (14.1)	17.0 (14.2)	16.7 (13.8)	16.1 (13.3)	15.5 (12.6)	14.0 (11.2)

**Table 2. RTI Noise in  $\mu\text{V}_{\text{RMS}}$  ( $\mu\text{V}_{\text{PP}}$ )**

DR (SPS)	GAIN (V/V)							
	5	9.09	14.29	22.22	40	80	133.3	400
7813	3.85 (27.60)	2.16 (14.59)	1.44 (11.28)	1.03 (6.95)	0.76 (5.60)	0.59 (4.27)	0.57 (3.89)	0.57 (3.94)
15625	6.54 (41.13)	3.67 (26.23)	2.36 (19.60)	1.67 (12.34)	1.14 (8.72)	0.89 (6.03)	0.82 (6.04)	0.76 (5.29)

The IA of the PGA900 that is interfacing the resistive bridge can provide a signal gain from 5 V/V up to 400 V/V.

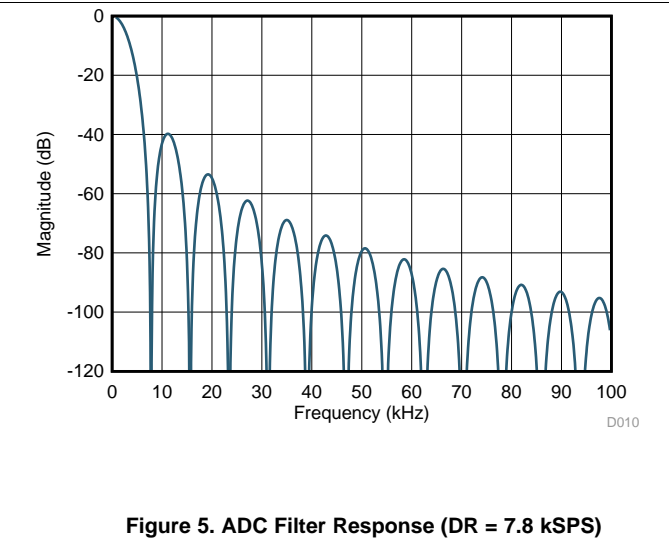
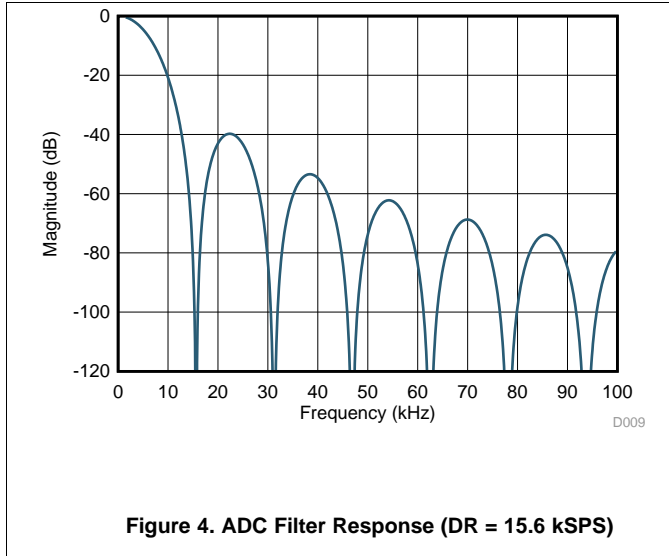
This IA is performing function of programmable gain amplifier (PGA) in the signal chain of PGA900. Unfortunately, any noise present at the input of the IA will also be gained along with the signal. This means the total noise on the output of IA will be dominated by the broadband noise on the input, and its magnitude will be dependent on the measurement bandwidth. The higher the gain, the higher output-referred noise (RTO) will be. On the other hand, increasing the gain at the same time will reduce the input-referred noise, which is particularly useful when measuring low-level signals. From Table 2 and Figure 3 we can see how RTI noise changes for different gains.



**Figure 3. PGA900 RTI Noise vs Gain**

### 3 Applying Additional Digital Filter

The device uses a linear-phase finite impulse response (FIR) digital filter that performs both filtering and decimation of the digital data stream coming from the modulator. Output data rate is selectable between 15.6 kSPS and 7.8 kSPS. The frequency responses of the digital filter are shown in Figure 4 and Figure 5 for two different output data rates.



It is common for the ADCs used in this application to have data rates that are much higher than the required system bandwidth. Therefore, additional digital filtering can be applied to further reduce the ADC noise and therefore increase the noise-free resolution at the expense of the output data rate.

Adding a simple averaging filter creates a low-pass filter that will lower the in-band noise by 3 dB and increase the measurement resolution by a half-bit for each two consecutive samples that are averaged.

$$W = \frac{1}{2} \log_2 M$$

where

- M is the number of consecutive samples averaged.
- W is the increase in output signal resolution. (6)

Frequency response of an M point moving average filter is shown in Equation 7. Example of its effect on the signal noise can be seen in Figure 6. Averaging 32 samples, RTI noise can be reduced from 0.59  $\mu\text{V}_{\text{RMS}}$  (4.27  $\mu\text{V}_{\text{PP}}$ ) to 0.12  $\mu\text{V}_{\text{RMS}}$  (0.76  $\mu\text{V}_{\text{PP}}$ ). Effective resolution will increase from 16.7 bit to 19.1 bit and noise-free resolution from 13.8 bit to 16.3 bit. Output DR from the filter will decrease from 7.8 kSPS to 244 SPS as described by Equation 8.

$$H(f) = \frac{1}{M} \frac{\sin\left(M\pi \frac{f}{f_s}\right)}{\sin\left(\pi \frac{f}{f_s}\right)} \tag{7}$$

$$\text{DR}_{\text{FILTER}} = \frac{\text{DR}_{\text{ADC}}}{M} \tag{8}$$

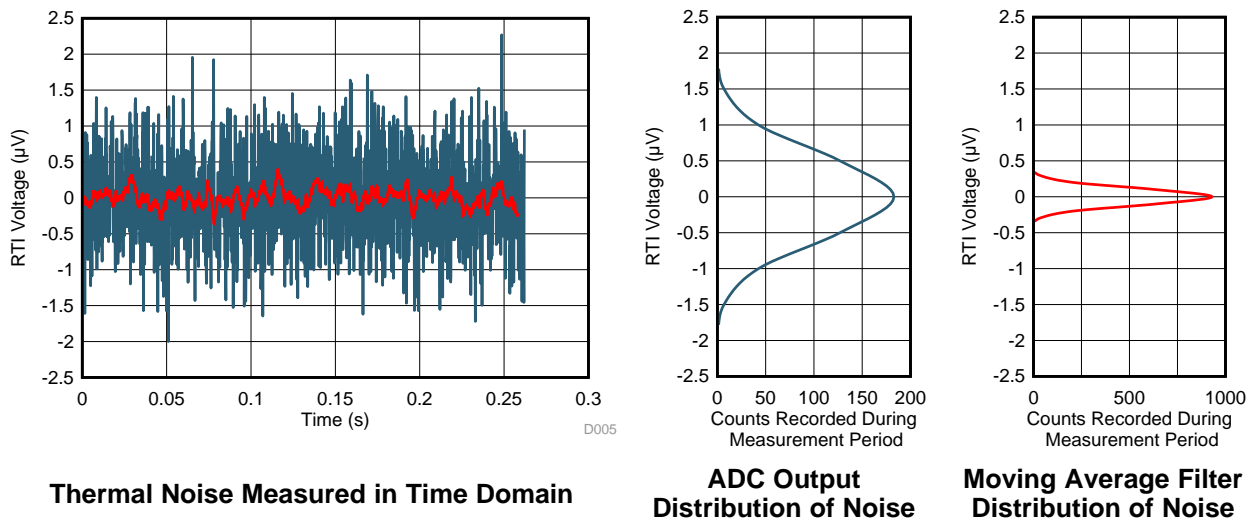


Figure 6. ADC and Filter Output With Decimation Ratio by a Factor of M = 32

Table 3 shows dynamic performances of PGA900 with added moving average filter for different number of averaged samples. Nyquist frequency is half of the DR, where -3-dB bandwidth is calculated using Equation 7. Sinc filter that is implemented inside of the ADC is third order, so the step response of the output signal can be calculated by following formula.

$$\text{Step response} = \frac{2 + M}{DR_{ADC}} \tag{9}$$

Table 3. Dynamic Performances of PGA900 With Added Moving Average Filter

M (samples)	DR (SPS)	NYQUIST FREQUENCY (Hz)	-3-dB BANDWIDTH (Hz)	STEP RESPONSE (ms)
64	122	61	54	8.45
32	244	122	108	4.35
16	488	244	216.3	2.30
8	977	488	434.8	1.28
4	1953	977	888	0.77
2	3906	1953	1950.2	0.51
1	7813	3906	3455.1	0.38

Now data from previous noise measurements with shorted inputs for different gain settings are pass through added moving average filter operating over different number of averaged samples. Table 4 and Table 5 summarize the device new noise performance. Table 4 lists the effective resolution calculated from  $\sigma$ , rms noise codes from histogram when signal is pass through added moving average filter. Note that noise-free resolution is calculated from peak-to-peak noise values, also from the same histogram analysis, are shown in parenthesis.

Table 5 lists the corresponding new input-referred noise in units of  $\mu V_{RMS}$  for the conditions shown previously. Note that new  $\mu V_{PP}$  values are shown in parenthesis.

**Table 4. Effective Resolution from RMS Noise (Noise-Free Bits from Peak-to-Peak Noise) With Added Moving Average Filter**

DR (SPS)	GAIN (V/V)							
	5	9.09	14.29	22.22	40	80	133.3	400
61	21.4 (19.0)	21.5 (19.0)	21.1 (18.9)	20.8 (18.4)	20.3 (18.1)	20.2 (17.8)	19.0 (16.6)	17.5 (15.1)
122	20.8 (18.4)	20.7 (18.1)	20.6 (18.2)	20.3 (17.9)	19.9 (17.7)	19.6 (17.1)	18.6 (16.1)	17.0 (14.6)
244	20.2 (17.6)	20.2 (17.6)	20.1 (17.2)	19.8 (17.3)	19.3 (16.7)	19.1 (16.3)	18.1 (15.5)	16.6 (14.1)
488	19.7 (17.0)	19.6 (17.0)	19.5 (16.9)	19.4 (17.1)	18.8 (16.2)	18.4 (15.8)	17.6 (15.0)	16.1 (13.6)
977	19.2 (16.6)	19.1 (16.4)	19.0 (16.4)	18.9 (16.2)	18.4 (15.7)	17.9 (15.2)	17.1 (14.5)	15.6 (12.9)
1953	18.7 (16.0)	18.6 (16.0)	18.5 (15.8)	18.4 (15.5)	18.0 (15.2)	17.4 (14.9)	16.6 (14.0)	15.1 (12.4)
3906	18.3 (15.5)	18.2 (15.6)	18.2 (15.4)	18.0 (15.2)	17.6 (14.7)	17.0 (14.3)	16.3 (13.5)	14.7 (12.0)
ADC OUTPUT								
7813	18.0 (15.1)	18.0 (15.2)	17.9 (14.9)	17.7 (15.0)	17.3 (14.4)	16.7 (13.8)	16.0 (13.2)	14.4 (11.6)

**Table 5. RTI Noise in  $\mu V_{RMS}$  ( $\mu V_{PP}$ ) With Added Moving Average Filter**

DR (SPS)	GAIN (V/V)							
	5	9.09	14.29	22.22	40	80	133.3	400
61	0.36 (1.87)	0.19 (1.02)	0.15 (0.73)	0.12 (0.63)	0.10 (0.44)	0.05 (0.28)	0.07 (0.37)	0.07 (0.36)
122	0.54 (2.84)	0.32 (1.95)	0.22 (1.19)	0.18 (0.94)	0.13 (0.60)	0.08 (0.44)	0.10 (0.53)	0.09 (0.49)
244	0.83 (4.94)	0.47 (2.77)	0.32 (2.25)	0.24 (1.36)	0.19 (1.13)	0.12 (0.76)	0.13 (0.82)	0.12 (0.69)
488	1.15 (7.65)	0.68 (4.10)	0.48 (2.95)	0.33 (1.65)	0.27 (1.62)	0.18 (1.08)	0.19 (1.16)	0.18 (1.01)
977	1.66 (9.99)	0.98 (6.44)	0.67 (3.99)	0.47 (3.07)	0.37 (2.27)	0.26 (1.71)	0.27 (1.66)	0.26 (1.66)
1953	2.35 (15.48)	1.35 (8.65)	0.92 (5.97)	0.66 (4.72)	0.49 (3.30)	0.36 (2.11)	0.37 (2.35)	0.36 (2.31)
3906	3.15 (21.90)	1.79 (11.23)	1.20 (8.18)	0.86 (5.93)	0.63 (4.55)	0.48 (3.08)	0.48 (3.15)	0.48 (3.02)
ADC OUTPUT								
7813	3.85 (27.60)	2.16 (14.59)	1.44 (11.28)	1.03 (6.95)	0.76 (5.60)	0.59 (4.27)	0.57 (3.89)	0.57 (3.94)

## 4 Conclusion

In this application note, we measured ADC output noise with shorted PGA inputs. Significant RTI noise improvement is seen for gain increase up to 80 V/V. For gain from 80 V/V up to 400 V/V there is insignificant decrease in RTI noise. We also show how noise-free resolution and effective resolution change for different gain settings. At the end we summarized the trend between the output resolution and the signal bandwidth when an additional moving average filter is applied. For different number of averaged samples we show how dynamic performance of the system change and how resolution increase.

## 5 References

1. Ruscak, Steve and Larry Singer, *Using Histogram Techniques to Measure A/D Converter Noise*, Analog Dialogue, Vol. 29-2, 1995.
2. Norsworthy, Steven R., Richard Schreier, and Gabor C. Temes, *Delta-Sigma Data Converters: Theory, Design, and Simulation*, Wiley-IEEE Press, 1996. ISBN: 978-0780310452.
3. Oljaca, M. and J. McEldowney, *Using a SAR Analog-to-Digital Converter for Current Measurement in Motor Control Applications*, 2002. [SBAA081](#).
4. Oljaca, Miroslav and Hendrick, Tom, *Combining the ADS1202 with an FPGA Digital Filter for Current Measurement in Motor Control Applications*, 2003. [SBAA094](#).
5. Baker, Bonnie, [Sometimes, Noise Can Be Good](#), EDN, February 17, 2005: 26.
6. R. Jacob Baker, *CMOS Circuit Design, Layout, and Simulation*, Wiley-IEEE Press, 3rd edition, 2010. ISBN: 978-0-470-88132-3.
7. Walt Kester, *ADC Input Noise: The Good, The Bad, and The Ugly. Is No Noise Good Noise?*, [MT-004](#), 2008.
8. Baker, Bonnie, [On Board with Bonnie: ADC noise from the inside out](#), Blogs Analog Wire e2e, 2015.
9. Oljaca, Miro, Semig, Peter, and Wells, Collin, *Connecting PGA900 Instrumentation Amplifier to Resistive Bridge Sensor*, 2015. [SLDA032](#).



## IMPORTANT NOTICE

Texas Instruments Incorporated and its subsidiaries (TI) reserve the right to make corrections, enhancements, improvements and other changes to its semiconductor products and services per JESD46, latest issue, and to discontinue any product or service per JESD48, latest issue. Buyers should obtain the latest relevant information before placing orders and should verify that such information is current and complete. All semiconductor products (also referred to herein as "components") are sold subject to TI's terms and conditions of sale supplied at the time of order acknowledgment.

TI warrants performance of its components to the specifications applicable at the time of sale, in accordance with the warranty in TI's terms and conditions of sale of semiconductor products. Testing and other quality control techniques are used to the extent TI deems necessary to support this warranty. Except where mandated by applicable law, testing of all parameters of each component is not necessarily performed.

TI assumes no liability for applications assistance or the design of Buyers' products. Buyers are responsible for their products and applications using TI components. To minimize the risks associated with Buyers' products and applications, Buyers should provide adequate design and operating safeguards.

TI does not warrant or represent that any license, either express or implied, is granted under any patent right, copyright, mask work right, or other intellectual property right relating to any combination, machine, or process in which TI components or services are used. Information published by TI regarding third-party products or services does not constitute a license to use such products or services or a warranty or endorsement thereof. Use of such information may require a license from a third party under the patents or other intellectual property of the third party, or a license from TI under the patents or other intellectual property of TI.

Reproduction of significant portions of TI information in TI data books or data sheets is permissible only if reproduction is without alteration and is accompanied by all associated warranties, conditions, limitations, and notices. TI is not responsible or liable for such altered documentation. Information of third parties may be subject to additional restrictions.

Resale of TI components or services with statements different from or beyond the parameters stated by TI for that component or service voids all express and any implied warranties for the associated TI component or service and is an unfair and deceptive business practice. TI is not responsible or liable for any such statements.

Buyer acknowledges and agrees that it is solely responsible for compliance with all legal, regulatory and safety-related requirements concerning its products, and any use of TI components in its applications, notwithstanding any applications-related information or support that may be provided by TI. Buyer represents and agrees that it has all the necessary expertise to create and implement safeguards which anticipate dangerous consequences of failures, monitor failures and their consequences, lessen the likelihood of failures that might cause harm and take appropriate remedial actions. Buyer will fully indemnify TI and its representatives against any damages arising out of the use of any TI components in safety-critical applications.

In some cases, TI components may be promoted specifically to facilitate safety-related applications. With such components, TI's goal is to help enable customers to design and create their own end-product solutions that meet applicable functional safety standards and requirements. Nonetheless, such components are subject to these terms.

No TI components are authorized for use in FDA Class III (or similar life-critical medical equipment) unless authorized officers of the parties have executed a special agreement specifically governing such use.

Only those TI components which TI has specifically designated as military grade or "enhanced plastic" are designed and intended for use in military/aerospace applications or environments. Buyer acknowledges and agrees that any military or aerospace use of TI components which have **not** been so designated is solely at the Buyer's risk, and that Buyer is solely responsible for compliance with all legal and regulatory requirements in connection with such use.

TI has specifically designated certain components as meeting ISO/TS16949 requirements, mainly for automotive use. In any case of use of non-designated products, TI will not be responsible for any failure to meet ISO/TS16949.

### Products

Audio	<a href="http://www.ti.com/audio">www.ti.com/audio</a>
Amplifiers	<a href="http://amplifier.ti.com">amplifier.ti.com</a>
Data Converters	<a href="http://dataconverter.ti.com">dataconverter.ti.com</a>
DLP® Products	<a href="http://www.dlp.com">www.dlp.com</a>
DSP	<a href="http://dsp.ti.com">dsp.ti.com</a>
Clocks and Timers	<a href="http://www.ti.com/clocks">www.ti.com/clocks</a>
Interface	<a href="http://interface.ti.com">interface.ti.com</a>
Logic	<a href="http://logic.ti.com">logic.ti.com</a>
Power Mgmt	<a href="http://power.ti.com">power.ti.com</a>
Microcontrollers	<a href="http://microcontroller.ti.com">microcontroller.ti.com</a>
RFID	<a href="http://www.ti-rfid.com">www.ti-rfid.com</a>
OMAP Applications Processors	<a href="http://www.ti.com/omap">www.ti.com/omap</a>
Wireless Connectivity	<a href="http://www.ti.com/wirelessconnectivity">www.ti.com/wirelessconnectivity</a>

### Applications

Automotive and Transportation	<a href="http://www.ti.com/automotive">www.ti.com/automotive</a>
Communications and Telecom	<a href="http://www.ti.com/communications">www.ti.com/communications</a>
Computers and Peripherals	<a href="http://www.ti.com/computers">www.ti.com/computers</a>
Consumer Electronics	<a href="http://www.ti.com/consumer-apps">www.ti.com/consumer-apps</a>
Energy and Lighting	<a href="http://www.ti.com/energy">www.ti.com/energy</a>
Industrial	<a href="http://www.ti.com/industrial">www.ti.com/industrial</a>
Medical	<a href="http://www.ti.com/medical">www.ti.com/medical</a>
Security	<a href="http://www.ti.com/security">www.ti.com/security</a>
Space, Avionics and Defense	<a href="http://www.ti.com/space-avionics-defense">www.ti.com/space-avionics-defense</a>
Video and Imaging	<a href="http://www.ti.com/video">www.ti.com/video</a>

### TI E2E Community

[e2e.ti.com](http://e2e.ti.com)