

Integrating the Current Sensing Resistor

Scott Hill, Current Sensing Products



- 1 Current is one of the most common signals used for evaluating and diagnosing the operational effectiveness of an electronic system. However, measuring this signal directly is very challenging. Instead, many types of sensors are used to measure the proportional effects that occur due to current flowing throughout the system.

The most common sensing element used for detecting current flowing in a system is a resistor. Placing a resistor, called a shunt, in series with the current path develops a differential voltage across the resistor as current passes through it.

One common signal chain configuration for monitoring a current signal involves an analog front-end (AFE), an analog to digital converter (ADC), and a system controller as shown in [Figure 1](#). An AFE, such as an operational amplifier or dedicated current sense amplifier, converts the small differential voltage developed across the shunt resistor to a larger output voltage that the ADC can digitize before sending the information to a controller. The system controller uses the current information to optimize the system's operational performance or reduce functionality in the event of an out-of-range condition to prevent potential damaging conditions from occurring.

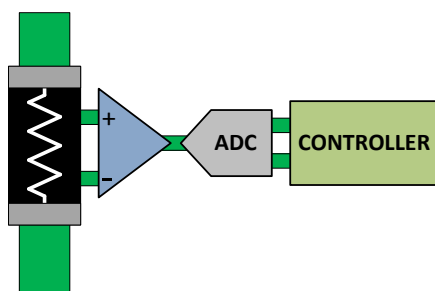


Figure 1. Current Sensing Signal Chain

The proper resistance value selection is critical in optimizing the signal chain path. The resistance value and corresponding voltage developed across the shunt results in a system power loss. To limit the power loss, it is preferred to minimize the shunt resistance. The resistor value is directly proportional to the signal developed and sent to the current sensing amplifier.

Amplifiers have fixed inherent errors associated with them, input offset voltage for example, that impact the measurement accuracy. As the input signal increases, the influence of these internal errors on the total measurement accuracy decreases. When the input signal decreases the corresponding measurement error is a higher. This relationship between the signal level and the acceptable measurement accuracy provides general lower limits for the current sensing resistor selection. The upper limit value for the current sensing resistor should be limited based on an application's acceptable power loss for this component.

One benefit of using resistors for current measurement is the availability of accurate components that provide both high precision and temperature stable measurements. Precision current sensing amplifiers are available featuring measurement capabilities optimized for interfacing with very small signals to accommodate small value resistors and low power losses.

There are two trends for resistors as the ohmic value decreases into the single digit milliohm level and below. One trend for this segment of resistors is the reduced package availability and resistor value combinations. The other trend is the increased cost for precision and low temperature coefficient components. Pairing a low ohmic, low temperature coefficient current sensing resistors with precision tolerance levels ($\sim 0.1\%$) result in solution costs in the several dollar range without including the cost associated with the precision amplifier.

A component such as the [INA250](#), shown in [Figure 2](#), helps reduce the challenges of selecting these increased accuracy, higher cost resistors for applications needing precise and temperature stable measurements. This device pairs a precision, zero-drift, voltage output current sense amplifier with a $2\text{m}\Omega$ integrated current sensing resistor with a 0.1% maximum tolerance and a temperature drift of $15\text{ppm}/^\circ\text{C}$ over the device's entire temperature range of -40°C to $+125^\circ\text{C}$. This device can accommodate continuous currents flowing through the on-board resistor of up to 15A .

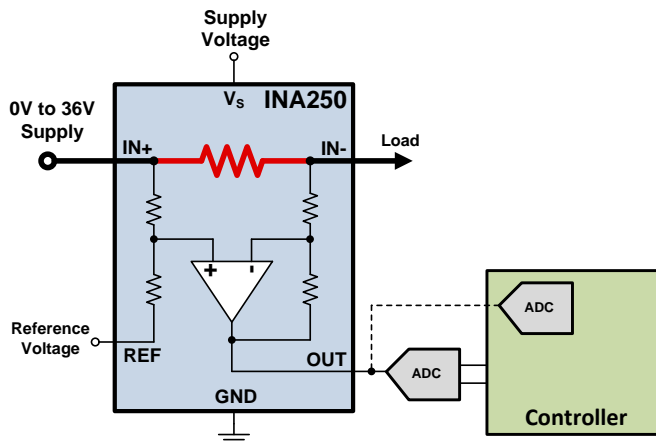


Figure 2. Integrating The Current Sensing Resistor

In addition to the integrated precision resistor inside this device, the [INA250](#) also addresses one of the most common issues associated with implementing a current sensing solution. A low-ohmic shunt resistor is used to reduce the current sensing power dissipation. A challenge in accommodating this low resistance value is the potential impact of parasitic resistance on the PCB. Parasitic resistance in series with the shunt resistor can cause additional measurement errors as current flows through the resistance to create the shunt voltage. The most common source for these measurement errors is poor layout techniques. A Kelvin connection, also known as a four terminal connection or a force-sense, is required to ensure that minimal additional resistance is present to alter the differential voltage developed between the amplifier's input pins. There are PCB layout techniques to reduce the effect of parasitic resistance, however, this concern is removed with the [INA250](#).

For applications that require measuring current in a high dv/dt common mode transients like motor control and solenoid control, the [INA253](#) is specifically design to reject PWM signals with a settling time of <math><10\mu\text{s}</math>.

As previously described, the typical current sensing signal chain path includes the current sensing resistor, the analog front-end, ADC and system controller. The [INA250](#) combines the shunt resistor and the current sensing amplifier. The [INA260](#) combines the current sensing resistor, measurement front-end and the ADC into one single device.

[Figure 3](#) shows the [INA260](#) featuring the same precision, integrated sensing resistor, pairing it with a 16-bit, precision ADC optimized for current sensing applications. This combination provides an even higher performance measurement capability than the [INA250](#) resulting in a maximum measurement gain error of 0.5% over the entire temperature range and a maximum input offset current of 5mA.

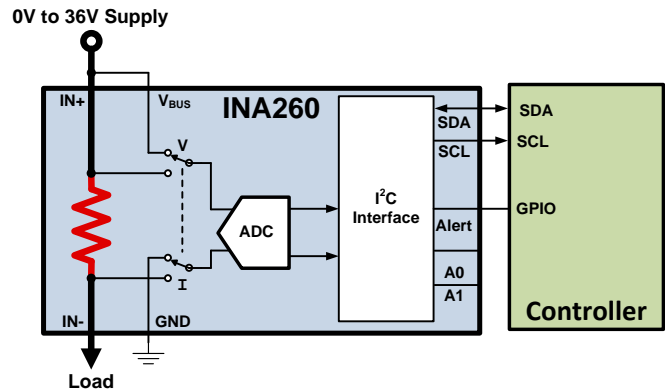


Figure 3. Integrated Signal Path

Pairing the precision, low-drift current sensing with these precision current sensing devices provides measurement solutions that are challenging to accomplish using discrete amplifier and resistor combinations. There are few catalog current sensing resistors available that are capable of enabling the combination of precision and temperature stable measurements but achieving this level of accuracy in a solution size comparable to TSSOP-16 packaged integrated solutions doesn't exist.

Alternate Device Recommendations

For additional design flexibility, many stand-alone current sensing amplifiers and digital power monitors are also available. For lower performance applications with higher current requirements than the integrated solutions support, use the [INA210](#) stand-alone current sensing amplifier. For applications requiring a stand-alone digital power monitor, use the [INA226](#). For applications implementing over-current detection, the [INA301](#) features an integrated comparator for on-chip over-current detection as fast as 1 μs .

Table 1. Alternative Device Recommendations

Device	Optimized Parameter	Performance Trade-Off
INA210	35 μV V_{OS} , Package: SC70-6, QFN-10	No on-board current sensing resistor
INA226	10 μV V_{OS} , Package: MSOP-10	No on-board current sensing resistor
INA301	Signal Bandwidth, On-Board Comparator	No on-board current sensing resistor

Table 2. Related Documentation

SBOA197	Integrated-Resistor Current Sensors Simplify PCB Design
SBOA165	Precision Current Measurements on High-Voltage Power Supply Rails
SBOA167	Integrating the Current Sensing Signal Path
SBOA169	Precision, Low-Side Current Measurement

1.1 Trademarks

IMPORTANT NOTICE FOR TI DESIGN INFORMATION AND RESOURCES

Texas Instruments Incorporated ("TI") technical, application or other design advice, services or information, including, but not limited to, reference designs and materials relating to evaluation modules, (collectively, "TI Resources") are intended to assist designers who are developing applications that incorporate TI products; by downloading, accessing or using any particular TI Resource in any way, you (individually or, if you are acting on behalf of a company, your company) agree to use it solely for this purpose and subject to the terms of this Notice.

TI's provision of TI Resources does not expand or otherwise alter TI's applicable published warranties or warranty disclaimers for TI products, and no additional obligations or liabilities arise from TI providing such TI Resources. TI reserves the right to make corrections, enhancements, improvements and other changes to its TI Resources.

You understand and agree that you remain responsible for using your independent analysis, evaluation and judgment in designing your applications and that you have full and exclusive responsibility to assure the safety of your applications and compliance of your applications (and of all TI products used in or for your applications) with all applicable regulations, laws and other applicable requirements. You represent that, with respect to your applications, you have all the necessary expertise to create and implement safeguards that (1) anticipate dangerous consequences of failures, (2) monitor failures and their consequences, and (3) lessen the likelihood of failures that might cause harm and take appropriate actions. You agree that prior to using or distributing any applications that include TI products, you will thoroughly test such applications and the functionality of such TI products as used in such applications. TI has not conducted any testing other than that specifically described in the published documentation for a particular TI Resource.

You are authorized to use, copy and modify any individual TI Resource only in connection with the development of applications that include the TI product(s) identified in such TI Resource. NO OTHER LICENSE, EXPRESS OR IMPLIED, BY ESTOPPEL OR OTHERWISE TO ANY OTHER TI INTELLECTUAL PROPERTY RIGHT, AND NO LICENSE TO ANY TECHNOLOGY OR INTELLECTUAL PROPERTY RIGHT OF TI OR ANY THIRD PARTY IS GRANTED HEREIN, including but not limited to any patent right, copyright, mask work right, or other intellectual property right relating to any combination, machine, or process in which TI products or services are used. Information regarding or referencing third-party products or services does not constitute a license to use such products or services, or a warranty or endorsement thereof. Use of TI Resources may require a license from a third party under the patents or other intellectual property of the third party, or a license from TI under the patents or other intellectual property of TI.

TI RESOURCES ARE PROVIDED "AS IS" AND WITH ALL FAULTS. TI DISCLAIMS ALL OTHER WARRANTIES OR REPRESENTATIONS, EXPRESS OR IMPLIED, REGARDING TI RESOURCES OR USE THEREOF, INCLUDING BUT NOT LIMITED TO ACCURACY OR COMPLETENESS, TITLE, ANY EPIDEMIC FAILURE WARRANTY AND ANY IMPLIED WARRANTIES OF MERCHANTABILITY, FITNESS FOR A PARTICULAR PURPOSE, AND NON-INFRINGEMENT OF ANY THIRD PARTY INTELLECTUAL PROPERTY RIGHTS.

TI SHALL NOT BE LIABLE FOR AND SHALL NOT DEFEND OR INDEMNIFY YOU AGAINST ANY CLAIM, INCLUDING BUT NOT LIMITED TO ANY INFRINGEMENT CLAIM THAT RELATES TO OR IS BASED ON ANY COMBINATION OF PRODUCTS EVEN IF DESCRIBED IN TI RESOURCES OR OTHERWISE. IN NO EVENT SHALL TI BE LIABLE FOR ANY ACTUAL, DIRECT, SPECIAL, COLLATERAL, INDIRECT, PUNITIVE, INCIDENTAL, CONSEQUENTIAL OR EXEMPLARY DAMAGES IN CONNECTION WITH OR ARISING OUT OF TI RESOURCES OR USE THEREOF, AND REGARDLESS OF WHETHER TI HAS BEEN ADVISED OF THE POSSIBILITY OF SUCH DAMAGES.

You agree to fully indemnify TI and its representatives against any damages, costs, losses, and/or liabilities arising out of your non-compliance with the terms and provisions of this Notice.

This Notice applies to TI Resources. Additional terms apply to the use and purchase of certain types of materials, TI products and services. These include; without limitation, TI's standard terms for semiconductor products (<http://www.ti.com/sc/docs/stdterms.htm>), [evaluation modules](#), and [samples](http://www.ti.com/sc/docs/sampterm.htm) (<http://www.ti.com/sc/docs/sampterm.htm>).

Mailing Address: Texas Instruments, Post Office Box 655303, Dallas, Texas 75265
Copyright © 2018, Texas Instruments Incorporated