

Level Shifting Signals With Differential Amplifiers



The INA105 is a unity gain differential amplifier consisting of a premium grade operational amplifier and an on-chip precision resistor network. The self-contained INA105 makes it ideal for many applications. One such application is precision level shifting.

Figure 1 shows a general case of a unity gain differential amplifier that performs a signal level shift proportional to the voltage V_{SHIFT} appearing on pin 3 of the OPA27. An operational amplifier is used to drive the INA105's "Ref" pin (pin 1) with a low impedance source to preserve true differential operational of the INA105.

A basic understanding of the circuit operation can be gained by considering the INA105 as a three input summing amplifier. The voltage transfer function is then $E_{OUT} = E_2 - E_1 + V_{REF}$. As this relation shows, the output will respond to a difference signal and algebraically add the voltage at the "Ref" input. Therefore, V_{REF} may take on any arbitrary value that will not saturate the INA105 amplifier's output. In the case of the circuit in Figure 1, $V_{REF} = V_{SHIFT}$, yielding an output of $E_O = E_2 - E_1 + V_{SHIFT}$.

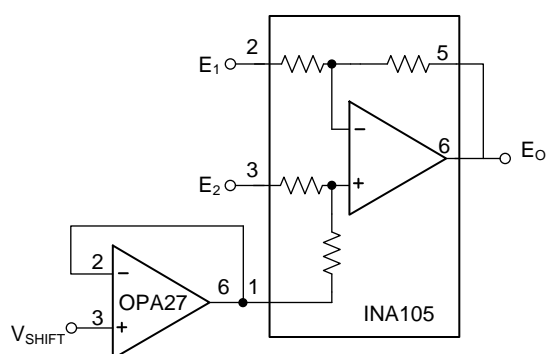


Figure 1. Level Shifting Circuit Using the INA105's V_{REF} Pin

Precision fixed level shifting can be easily accomplished by using a voltage reference source like the REF5010. A REF5010 used with an additional INA105 can be used to provide an accurate, low-drift, +5-V reference to drive the "Ref" pin of the differentially connected INA105 as shown in Figure 2. If, for example, the input signal is a bipolar ± 5 -V signal, the output will be level shifted to a unipolar 0 to 10-V signal. The same reference circuit also has -5 V available and may thus be used for the opposite conversion from unipolar 0 to 10-V to bipolar ± 5 -V signals. Due to this circuit cutting the effective voltage reference in half relative to ground, this type circuit configuration allows the creation of non-standard bias voltages such as 1.5 V or 1.65 V, which are half of 3 V and 3.3 V, respectively. Precision level shifting is often used due to the improved accuracy, low noise, and low temperature coefficient compared to a resistor divider. The benefits of a precision voltage reference in level shifting allow for an accurate voltage over temperature and time.

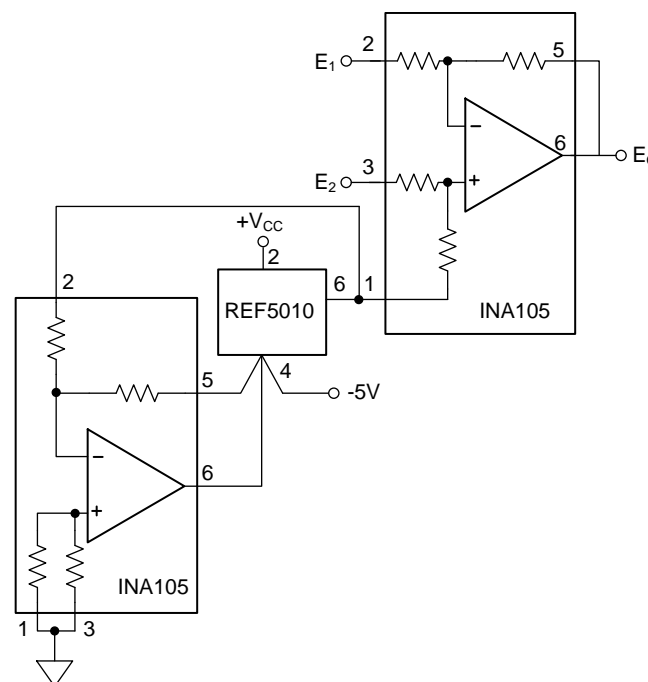


Figure 2. Precision Level Shift Circuit From a Fixed Voltage Reference

The INA105 in conjunction with a precision voltage reference also has the flexibility to create bipolar outputs such as in Figure 3. Figure 3 is an alternative to design to Figure 2 that allows for a the -5-V output. This example uses a REF3450 precision voltage reference that offers a fixed 5-V output but the flexibility is also extended to other precision voltage references.

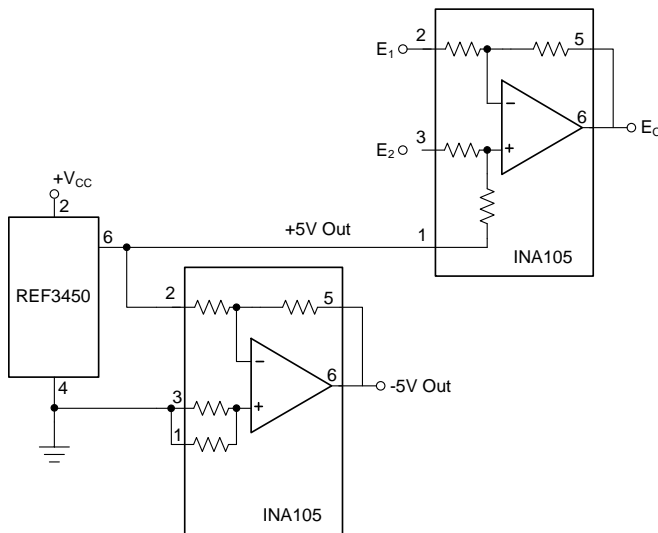


Figure 3. Precision Level Shift Circuit With Bipolar Options

For precision level shifting in low voltage applications, the INA213 is an alternative to the INA105. The INA213 operates from a single 2.7-V to 26-V power supply that makes it suitable for lower voltage systems with single supplies. This type of application the REF2030 a suitable precision voltage reference companion device to the INA213 for level shifting as the REF2030 is a dual output precision voltage reference that can both source V_{CC} and the V_{BIAS} ($\frac{1}{2} V_{CC}$) level shifting voltage for a signal chain and level shifting applications.

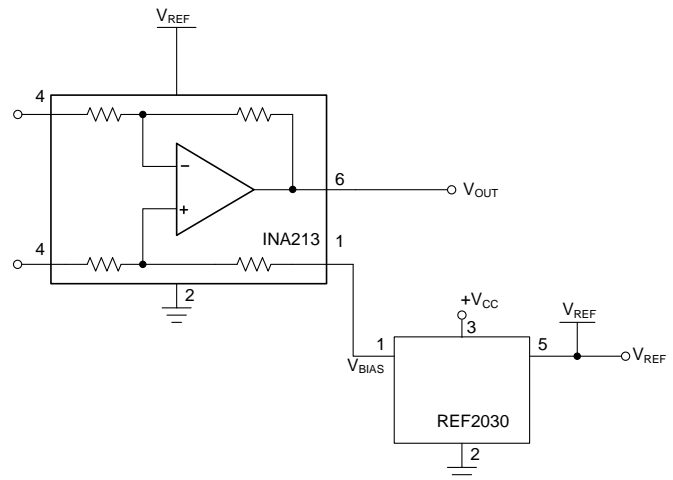


Figure 4. Precision Level Shift Circuit With REF2030

Table 1. Device Information

DEVICE	OPTIMIZED PARAMETERS
INA105	Precision Unity Gain Differential Amplifier
REF5010	10-V , Low-Noise, Very Low Drift, Precision Voltage Reference
REF3450	5-V , Low-Drift, Low-Power, Small-Footprint Series Voltage Reference
OPA27	Ultra-Low Noise Precision Operational Amplifiers
INA213	26-V , Bidirectional, Zero-Drift, High Accuracy, Low-/High-Side, Voltage Out Current Shunt Monitor
REF2030	3-V and 1.5-V , Low-Drift, Low-Power, Dual-Output Vref and Vref/2 Voltage Reference

Table 2. Alternate Device Information

DEVICE	OPTIMIZED PARAMETERS
REF3425	2.5-V , Low-Drift, Low-Power, Small-Footprint Series Voltage Reference
REF5050	5-V , Low-Noise, Very Low Drift, Precision Voltage Reference
ATL431	2.5-V , Low-Iq Adjustable Precision Shunt Regulator

IMPORTANT NOTICE FOR TI DESIGN INFORMATION AND RESOURCES

Texas Instruments Incorporated ("TI") technical, application or other design advice, services or information, including, but not limited to, reference designs and materials relating to evaluation modules, (collectively, "TI Resources") are intended to assist designers who are developing applications that incorporate TI products; by downloading, accessing or using any particular TI Resource in any way, you (individually or, if you are acting on behalf of a company, your company) agree to use it solely for this purpose and subject to the terms of this Notice.

TI's provision of TI Resources does not expand or otherwise alter TI's applicable published warranties or warranty disclaimers for TI products, and no additional obligations or liabilities arise from TI providing such TI Resources. TI reserves the right to make corrections, enhancements, improvements and other changes to its TI Resources.

You understand and agree that you remain responsible for using your independent analysis, evaluation and judgment in designing your applications and that you have full and exclusive responsibility to assure the safety of your applications and compliance of your applications (and of all TI products used in or for your applications) with all applicable regulations, laws and other applicable requirements. You represent that, with respect to your applications, you have all the necessary expertise to create and implement safeguards that (1) anticipate dangerous consequences of failures, (2) monitor failures and their consequences, and (3) lessen the likelihood of failures that might cause harm and take appropriate actions. You agree that prior to using or distributing any applications that include TI products, you will thoroughly test such applications and the functionality of such TI products as used in such applications. TI has not conducted any testing other than that specifically described in the published documentation for a particular TI Resource.

You are authorized to use, copy and modify any individual TI Resource only in connection with the development of applications that include the TI product(s) identified in such TI Resource. NO OTHER LICENSE, EXPRESS OR IMPLIED, BY ESTOPPEL OR OTHERWISE TO ANY OTHER TI INTELLECTUAL PROPERTY RIGHT, AND NO LICENSE TO ANY TECHNOLOGY OR INTELLECTUAL PROPERTY RIGHT OF TI OR ANY THIRD PARTY IS GRANTED HEREIN, including but not limited to any patent right, copyright, mask work right, or other intellectual property right relating to any combination, machine, or process in which TI products or services are used. Information regarding or referencing third-party products or services does not constitute a license to use such products or services, or a warranty or endorsement thereof. Use of TI Resources may require a license from a third party under the patents or other intellectual property of the third party, or a license from TI under the patents or other intellectual property of TI.

TI RESOURCES ARE PROVIDED "AS IS" AND WITH ALL FAULTS. TI DISCLAIMS ALL OTHER WARRANTIES OR REPRESENTATIONS, EXPRESS OR IMPLIED, REGARDING TI RESOURCES OR USE THEREOF, INCLUDING BUT NOT LIMITED TO ACCURACY OR COMPLETENESS, TITLE, ANY EPIDEMIC FAILURE WARRANTY AND ANY IMPLIED WARRANTIES OF MERCHANTABILITY, FITNESS FOR A PARTICULAR PURPOSE, AND NON-INFRINGEMENT OF ANY THIRD PARTY INTELLECTUAL PROPERTY RIGHTS.

TI SHALL NOT BE LIABLE FOR AND SHALL NOT DEFEND OR INDEMNIFY YOU AGAINST ANY CLAIM, INCLUDING BUT NOT LIMITED TO ANY INFRINGEMENT CLAIM THAT RELATES TO OR IS BASED ON ANY COMBINATION OF PRODUCTS EVEN IF DESCRIBED IN TI RESOURCES OR OTHERWISE. IN NO EVENT SHALL TI BE LIABLE FOR ANY ACTUAL, DIRECT, SPECIAL, COLLATERAL, INDIRECT, PUNITIVE, INCIDENTAL, CONSEQUENTIAL OR EXEMPLARY DAMAGES IN CONNECTION WITH OR ARISING OUT OF TI RESOURCES OR USE THEREOF, AND REGARDLESS OF WHETHER TI HAS BEEN ADVISED OF THE POSSIBILITY OF SUCH DAMAGES.

You agree to fully indemnify TI and its representatives against any damages, costs, losses, and/or liabilities arising out of your non-compliance with the terms and provisions of this Notice.

This Notice applies to TI Resources. Additional terms apply to the use and purchase of certain types of materials, TI products and services. These include; without limitation, TI's standard terms for semiconductor products (<http://www.ti.com/sc/docs/stdterms.htm>), [evaluation modules](#), and [samples](http://www.ti.com/sc/docs/sampterm.htm) (<http://www.ti.com/sc/docs/sampterm.htm>).

Mailing Address: Texas Instruments, Post Office Box 655303, Dallas, Texas 75265
Copyright © 2018, Texas Instruments Incorporated