

# TPSM846C23 4.5V 至 15V 输入、0.35V 至 2V 输出、35A PMBus™ 电源模块

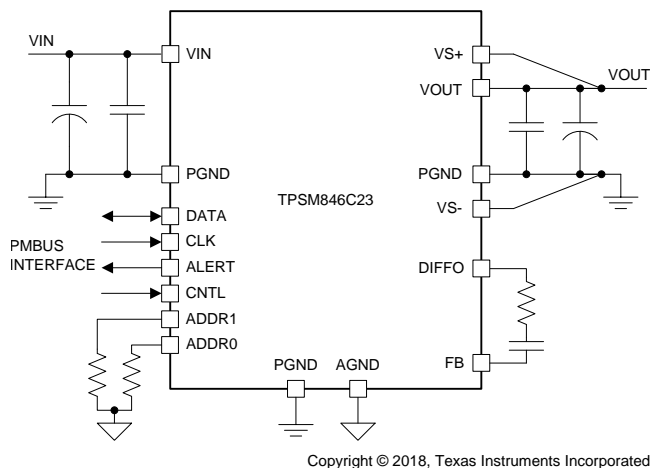
## 1 特性

- 完全集成 PMBus™ 电源解决方案
- 与 TPSM846C24 引脚兼容（非 PMBus）
- 可堆叠，最高可达 70A，具有电流共享
- 输出电压范围：0.35V 至 2V
- 输出电压准确度高达 0.5%
- 15mm × 16mm 尺寸（最大高度 6.4mm）
- 300kHz 至 1MHz 开关频率
- 可与外部时钟保持同步
- 差动遥感
- 电源正常输出
- 预偏置输出单调启动
- PMBus 遥测：电流、电压、温度
- 可编程保护和故障响应
- 可编程 UVLO、软启动/停止、延迟
- 工作 IC 结温范围：-40°C 至 +125°C
- 工作环境温度范围：-40°C 至 +105°C
- 增强的热性能：8.7°C/W
- 符合 EN55022 A 类辐射发射标准
- 使用 TPSM846C23 并借助 WEBENCH® 电源设计器创建定制设计方案

## 2 应用

- 紧凑型 PCI/PCI 快速接口/PXI 快速接口
- 宽带和通信基础设施
- 自动化测试和医疗设备
- DSP 和 FPGA 负载点应用

简化电路原理图



## 3 说明

TPSM846C23 是一款 35A 固定频率降压电源模块，兼容 PMBus 并支持 PMBus 命令，可实现对电源稳压器主要功能的配置、控制和监控。该模块包含控制器、电源 MOSFET、电感器和相关组件，采用坚固耐用的耐热增强型表面贴装式封装。用户提供输入和输出电容器及少量其他无源组件即可设置该模块的运行参数。这两个模块可配置为并联工作，以提供最高可达 70A 的两相电源解决方案。

PMBus 接口提供输出电压、UVLO、软启动、软停止、过电流和热关断等参数的转换器配置。该接口还具有遥测支持功能，可报告实际输出电压、输出电流和器件温度。此外还支持标准 PMBus 警告和故障功能。该器件支持 PMBus 通信，速度最高可达 400kHz，并在 PMBus 1.3 规范下支持一小组命令。

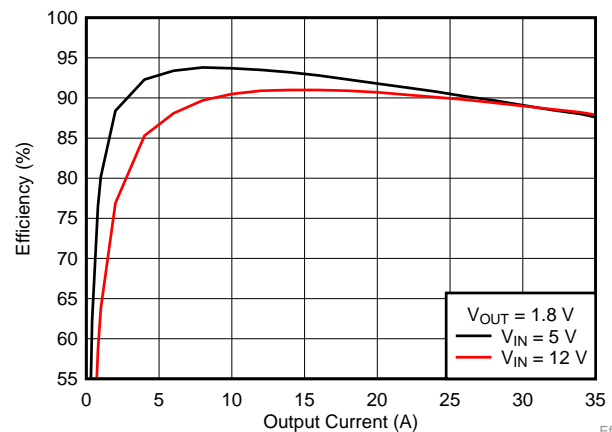
该器件采用 15mm × 16mm 组件尺寸，可轻松焊接到印刷电路板上，并可实现紧凑的负载点设计。

器件信息(1)

器件型号	封装	封装尺寸（标称值）
TPSM846C23	MOL (59)	15.00mm × 16.00mm

(1) 如需了解所有可用封装，请参阅产品说明书末尾的可订购产品附录。

效率与输出电流间的关系



E11



## 目录

1	特性 .....	1	7.5	Register Maps .....	31
2	应用 .....	1	8	<b>Application and Implementation</b> .....	72
3	说明 .....	1	8.1	Typical Application .....	72
4	修订历史记录 .....	2	9	<b>Power Supply Recommendations</b> .....	76
5	<b>Pin Configuration and Functions</b> .....	3	10	<b>Layout</b> .....	77
6	<b>Specifications</b> .....	5	10.1	Layout Guidelines .....	77
6.1	Absolute Maximum Ratings .....	5	10.2	Layout Example .....	77
6.2	ESD Ratings .....	5	10.3	Package Specifications .....	79
6.3	Recommended Operating Conditions .....	5	10.4	EMI .....	79
6.4	Thermal Information .....	6	10.5	Mounting and Thermal Profile Recommendation .....	81
6.5	Electrical Characteristics .....	6	11	<b>器件和文档支持</b> .....	82
6.6	Switching Characteristics .....	8	11.1	器件支持 .....	82
6.7	Programmable Characteristics .....	8	11.2	文档支持 .....	82
6.8	Typical Characteristics ( $V_{IN} = 12\text{ V}$ ) .....	10	11.3	接收文档更新通知 .....	82
6.9	Typical Characteristics ( $V_{IN} = 5\text{ V}$ ) .....	11	11.4	社区资源 .....	82
7	<b>Detailed Description</b> .....	12	11.5	商标 .....	82
7.1	Overview .....	12	11.6	静电放电警告 .....	82
7.2	Functional Block Diagram .....	12	11.7	术语表 .....	82
7.3	Feature Description .....	13	12	<b>机械、封装和可订购信息</b> .....	83
7.4	Device Functional Modes .....	31	12.1	Tape and Reel Information .....	83

## 4 修订历史记录

注：之前版本的页码可能与当前版本有所不同。

Changes from Revision E (September 2018) to Revision F	Page
• Changed HBM ESD from 500 V to 1000 V .....	5

Changes from Revision D (January 2018) to Revision E	Page
• Updated PCB Top-side Layout Recommendation figure .....	77

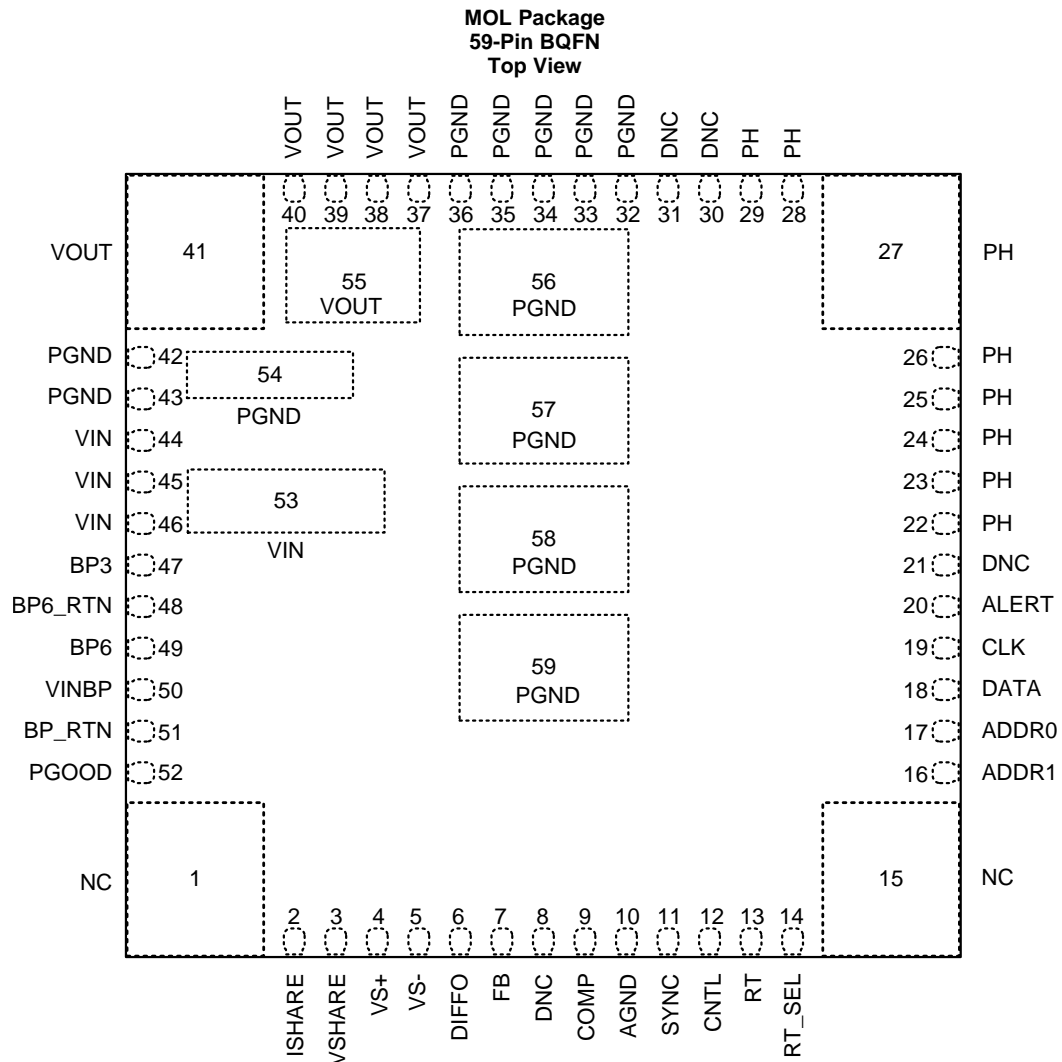
Changes from Revision C (August 2017) to Revision D	Page
• 首次发布生产数据产品说明书 .....	1

Changes from Revision B (March 2017) to Revision C	Page
• 产品说明书标记为“预告信息”- 可提供原型样片 .....	1
• 将器件的最大高度更改为 6.4mm .....	1
• Added link to the parallel EVM and user's guide .....	27
• Added the EMI section .....	79

Changes from Revision A (March 2017) to Revision B	Page
• 在 <a href="#">特性</a> 中添加了器件高度 .....	1

Changes from Original (March 2017) to Revision A	Page
• Corrected 3 pin names on the <a href="#">图 19</a> .....	72

## 5 Pin Configuration and Functions



### Pin Functions

PIN		I/O	DESCRIPTION
NAME	NO.		
ADDR0	17	I	Connect a resistor from this pin to AGND to set the low-order 3 bits of the desired PMBus address. Do not leave this pin floating. See <a href="#">PMBus Address</a> .
ADDR1	16	I	Connect a resistor from this pin to AGND to set the high-order 3 bits of the desired PMBus address. Do not leave this pin floating. See <a href="#">PMBus Address</a> .
AGND	10	G	Analog ground for the controller circuitry. This pin is internally connected to PGND.
ALERT	20	O	PMBus ALERT pin. See PMBus specification.
BP_RTN	51	G	Return path for VINBP and BP3. This pin is internally connected to PGND, pad 59.
BP3	47	O	Output of the internal 3.3-V regulator. Bypass this pin with a minimum of 2.2- $\mu$ F to BP_RTN. Can be used as a pullup termination voltage for PGOOD and PMBus signals.
BP6	49	O	Output of the internal 6.5-V regulator that powers the driver stage of the device. Bypass this pin with a minimum of 2.2- $\mu$ F to BP6_RTN.
BP6_RTN	48	G	Power ground return path for BP6 bypass capacitor.
CLK	19	I	PMBus CLK pin. See PMBus specification.
CNTL	12	I	PMBus CNTL pin. See PMBus specification.
COMP	9	O	Output of the error amplifier.
DATA	18	I/O	PMBus DATA pin. See PMBus specification.
DIFFO	6	O	Output of the remote sense differential amplifier. This provides remote sensing for output voltage reporting and the voltage control loop.
DNC	8, 21, 30, 31	–	Do Not Connect. Do not connect these pins to AGND, PGND, to another DNC pin, or to any other voltage. These pins are connected to internal circuitry. Each pin must be soldered to an isolated pad.
FB	7	I	Feedback pin for the control loop.
ISHARE	2	I	Current sharing signal for parallel operation.
NC	1, 15	–	Not Connected. These pins are internally isolated from any signal and all other pins. Each pin must be soldered to a pad on the PCB. These pins can be left isolated or connected to AGND or PGND.
PGND	32, 33, 34, 35, 36, 42, 43, 54, 56, 57, 58, 59	G	Power ground of the device. This is the return current path for the power stage of the device. Connect these pins to the bypass capacitors associated with VIN and VOUT. Connect pads 56, 57, 58, and 59 to the PCB ground planes using multiple vias for optimal thermal performance. All pins should be connected together externally with a copper plane or pour directly under the device.
PGOOD	52	O	Power good indicator. This pin is an open-drain output and will assert low during any fault/warn conditions. See Power Good Indicator section for details. Requires a pullup resistor.
PH	22, 23, 24, 25, 26, 27, 28, 29	O	Phase switch node. Do not connect any external components to these pins or tie them to a pin of another function.
RT	13	I	Frequency-setting resistor. To operate the device at its default switching frequency, do not connect to this pin. To operate at a different switching frequency, connect a resistor from this pin to AGND.
RT_SEL	14	I	RT resistor select. To operate the device at its default switching frequency, connect this pin to AGND. To operate at a different switching frequency, let this pin float.
SYNC	11	I/O	Frequency synchronization pin. In a stand-alone application or as the Master device in a parallel configuration, the SYNC pin is configured as a SYNC-IN pin and power conversion is synchronized to the rising edge of a 50% duty cycle external clock applied to this pin. For a Slave device in a parallel configuration, power conversion is synchronized to the falling edge of the incoming clock.
VIN	44, 45, 46, 53	I	Input switching voltage pins. These pins supply voltage to the power switches of the converter.
VINBP	50	I	Input power to the controller circuitry. Bypass this pin with a minimum of 1 $\mu$ F to BP_RTN. This pin is internally connected to VIN.
VOUT	37, 38, 39, 40, 41, 55	O	Output voltage. These pins are connected to the internal output inductor. Connect these pins to the output load and connect external bypass capacitors between these pins and PGND.
VS+	4	I	Positive input of the remote amplifier. Connect this pin to VOUT at the load for best voltage regulation. Do not let this pin float.
VS–	5	I	Negative input of the remote amplifier. Connect this pin to ground at the load for best voltage regulation. Do not let this pin float.
VSHARE	3	I/O	Voltage sharing signal for parallel operation.

## 6 Specifications

### 6.1 Absolute Maximum Ratings

Over operating ambient temperature range (unless otherwise noted)<sup>(1)</sup>

PARAMETER		MIN	MAX	UNIT
Input voltage	VIN	-0.3	18	V
	VIN < 2-ms transient		19	
	VIN-PH (VIN TO PH differentially)	-0.3	25	
	ADDR0, ADDR1, FB	-0.3	3.6	
	CLK, DATA	-0.3	5.5	
	VS+, VS-, RT, CNTL, SYNC, PGOOD, ISHARE, RT_SEL	-0.3	7	
	BP6_RTN, BP_RTN, AGND	-0.3	0.3	
Output voltage	PH	-1	25	V
	PH < 100-ns transient	-5	25	
	BP6, COMP, DIFFO, VSHARE	-0.3	7	
	ALERT	-0.3	5.5	
	BP3	-0.3	3.6	
Operating IC junction temperature, T <sub>J</sub>		-40	125	°C
Operating ambient temperature, T <sub>A</sub>		-40	105	
Storage temperature, T <sub>stg</sub>		-55	150	°C
Mechanical shock			500	G
Mechanical vibration			10	G

(1) Stresses beyond those listed under *Absolute Maximum Ratings* may cause permanent damage to the device. These are stress ratings only, which do not imply functional operation of the device at these or any other conditions beyond those indicated under *Recommended Operating Conditions*. Exposure to absolute-maximum-rated conditions for extended periods may affect device reliability.

### 6.2 ESD Ratings

			VALUE	UNIT
V <sub>(ESD)</sub>	Electrostatic discharge	Human-body model (HBM), per ANSI/ESDA/JEDEC JS-001 <sup>(1)</sup>	±1000	V
		Charged-device model (CDM), per JEDEC specification JESD22-C101 <sup>(2)</sup>	±1500	

(1) JEDEC document JEP155 states that 500-V HBM allows safe manufacturing with a standard ESD control process.

(2) JEDEC document JEP157 states that 250-V CDM allows safe manufacturing with a standard ESD control process.

### 6.3 Recommended Operating Conditions

Over operating ambient temperature range (unless otherwise noted)

PARAMETER		MIN	NOM	MAX	UNIT
Input voltage	VIN	4.5	12	15	V
	SYNC		3.3	6.5	
	PGOOD pull-up voltage		3.3	5.5	
Output voltage	V <sub>OUT</sub>	0.35		2.0	V
Output current	I <sub>OUT</sub>	0		35	A
Frequency		300	500	1000	kHz
Temperature	Operating ambient temperature	-40		105	°C
	Operating IC junction temperature	-40		125	°C

### 6.4 Thermal Information

THERMAL METRIC <sup>(1)</sup>		TPSM846C23	UNIT
		MOL (QFN)	
		59 PINS	
R <sub>θJA</sub>	Junction-to-ambient thermal resistance <sup>(2)</sup>	8.7	°C/W
ψ <sub>JT</sub>	Junction-to-top characterization parameter <sup>(3)</sup>	0.9	°C/W
ψ <sub>JB</sub>	Junction-to-board characterization parameter <sup>(4)</sup>	4.3	°C/W

- (1) For more information about thermal metrics, see the [Semiconductor and IC Package Thermal Metrics](#) application report.
- (2) The junction-to-ambient thermal resistance, R<sub>θJA</sub>, applies to devices soldered directly to a 100 mm x 100 mm, 6-layer PCB with 2 oz. copper and natural convection cooling. Additional airflow reduces R<sub>θJA</sub>.
- (3) The junction-to-top characterization parameter, ψ<sub>JT</sub>, estimates the junction temperature, T<sub>J</sub>, of a device in a real system, using a procedure described in JESD51-2A (section 6 and 7). T<sub>J</sub> = ψ<sub>JT</sub> × P<sub>dis</sub> + T<sub>T</sub>; where P<sub>dis</sub> is the power dissipated in the device and T<sub>T</sub> is the temperature of the top of the device.
- (4) The junction-to-board characterization parameter, ψ<sub>JB</sub>, estimates the junction temperature, T<sub>J</sub>, of a device in a real system, using a procedure described in JESD51-2A (sections 6 and 7). T<sub>J</sub> = ψ<sub>JB</sub> × P<sub>dis</sub> + T<sub>B</sub>; where P<sub>dis</sub> is the power dissipated in the device and T<sub>B</sub> is the temperature of the board 1mm from the device.

### 6.5 Electrical Characteristics

Over –40°C to 105°C free-air temperature range, V<sub>IN</sub> = 12 V, V<sub>OUT</sub> = 1.2 V, I<sub>OUT</sub> = I<sub>OUT(max)</sub>, f<sub>SW</sub> = 500 kHz, C<sub>IN1</sub> = 4 × 22 μF, 25 V, 1210 ceramic, C<sub>IN2</sub> = 2 × 330 μF electrolytic bulk, C<sub>OUT1</sub> = 4 × 47 μF, 6.3 V, 1210 ceramic, C<sub>OUT2</sub> = 2 × 470 μF, 6.3-V polymer bulk (unless otherwise noted)

PARAMETER		TEST CONDITIONS	MIN	TYP	MAX	UNIT
<b>INPUT VOLTAGE (V<sub>IN</sub>)</b>						
V <sub>IN</sub>	Input voltage	Over I <sub>OUT</sub> range	4.5		15	V
I <sub>VIN</sub>	Input operating current	Non-switching supply current		7.7	12	mA
<b>OUTPUT VOLTAGE (V<sub>OUT</sub>)</b>						
V <sub>OUT</sub>	Factory default setting	R <sub>SET</sub> = Not loaded, V <sub>OUT_SCALE_LOOP</sub> = 1		500		mV
		R <sub>SET</sub> = 10 kΩ, 1%, V <sub>OUT_SCALE_LOOP</sub> = 0.5		1		V
	V <sub>OUT</sub> programmable range <sup>(1)(2)</sup>	R <sub>SET</sub> = Not loaded, V <sub>OUT_SCALE_LOOP</sub> = 1.0	0.35		1.65	V
		R <sub>SET</sub> = 10 kΩ, 1%, V <sub>OUT_SCALE_LOOP</sub> = 0.5	0.7		2 <sup>(3)</sup>	V
	V <sub>OUT</sub> programmable step size	R <sub>SET</sub> = Not loaded, V <sub>OUT_SCALE_LOOP</sub> = 1		1.953		mV
		R <sub>SET</sub> = 10 kΩ, 1%, V <sub>OUT_SCALE_LOOP</sub> = 0.5		3.906		mV
	Setpoint voltage tolerance	R <sub>SET</sub> = Not loaded, T <sub>J</sub> = 25°C, I <sub>OUT</sub> = 0 A	–1%		1%	
		R <sub>SET</sub> = 10 kΩ, 1%, T <sub>J</sub> = 25°C, I <sub>OUT</sub> = 0 A <sup>(4)</sup>	–1.5%		1.5%	
	Temperature variation	0°C < T <sub>J</sub> < 85°C, I <sub>OUT</sub> = 0 A <sup>(2)</sup>	–0.5%		0.5%	
		–40°C < T <sub>J</sub> < 125°C, I <sub>OUT</sub> = 0 A <sup>(2)</sup>	–1%		1%	
Line regulation	4.5 V < V <sub>IN</sub> < 15 V, I <sub>OUT</sub> = 0 A		±0.05%			
Load regulation	Over I <sub>OUT</sub> range, using remote sense		±0.2%			
Output voltage ripple	20-MHz bandwidth			13	mV	
<b>OUTPUT CURRENT</b>						
I <sub>OUT</sub>	Output current	Natural Convection. See SOA graph for derating.	0		35	A
I <sub>OCF</sub>	Overcurrent fault threshold	Factory default setting		42		A
		Programmable range	5		52	
I <sub>OCWF</sub>	Overcurrent warning threshold	Factory default setting		37		A
		Programmable range	4		50	
I <sub>OCF(acc)</sub>	Overcurrent fault accuracy	I <sub>OUT</sub> ≥ 20 A	–15%		15%	
I <sub>SH(acc)</sub>	Output current share accuracy	(I <sub>OUT1</sub> – I <sub>OUT2</sub> ) ÷ I <sub>TOTAL</sub> , I <sub>OUT</sub> ≥ 20 A per module <sup>(5)</sup>	–15%		15%	
		(I <sub>OUTx</sub> – I <sub>TOTAL</sub> ) ÷ 2, I <sub>OUT</sub> < 20 A per module <sup>(5)</sup>	–3%		3%	

- (1) Output voltage is set by the V<sub>OUT\_COMMAND</sub> PMBus command.
- (2) Specified by design. Not production tested.
- (3) While the PMBus permits setting the output voltage higher than 2 V, this product is not designed to be operated beyond this limit.
- (4) The stated limit of the set-point tolerance includes the tolerance of both the internal voltage reference and the internal adjustment resistor. The overall output voltage tolerance will be affected by the tolerance of the external R<sub>SET</sub> resistor.
- (5) Specified by correlation. Not production tested.

## Electrical Characteristics (continued)

Over  $-40^{\circ}\text{C}$  to  $105^{\circ}\text{C}$  free-air temperature range,  $V_{\text{IN}} = 12\text{ V}$ ,  $V_{\text{OUT}} = 1.2\text{ V}$ ,  $I_{\text{OUT}} = I_{\text{OUT(max)}}$ ,  $f_{\text{SW}} = 500\text{ kHz}$ ,  
 $C_{\text{IN1}} = 4 \times 22\text{ }\mu\text{F}$ , 25 V, 1210 ceramic,  $C_{\text{IN2}} = 2 \times 330\text{ }\mu\text{F}$  electrolytic bulk,  $C_{\text{OUT1}} = 4 \times 47\text{ }\mu\text{F}$ , 6.3 V, 1210 ceramic,  
 $C_{\text{OUT2}} = 2 \times 470\text{ }\mu\text{F}$ , 6.3-V polymer bulk (unless otherwise noted)

PARAMETER		TEST CONDITIONS	MIN	TYP	MAX	UNIT
<b>POWER GOOD (PGOOD) AND OVERVOLTAGE / UNDERVOLTAGE THRESHOLD</b>						
$V_{\text{PG(OL)}}$	PGOOD output low voltage	$V_{\text{IN}} = 4\text{ V}$ , $V_{\text{OUT}} = 0\text{ V}$ , $I_{\text{PGOOD}} = 5\text{ mA}$			0.3	V
		$V_{\text{IN}} = 0\text{ V}$ , $I_{\text{PGOOD}} = 80\text{ }\mu\text{A}$			0.8	
$V_{\text{PG(rise)}}$	PGOOD threshold $V_{\text{OUT}}$ rising	$V_{\text{OUT}}$ setting = 1.2 V		95		% $V_{\text{O}}$
$V_{\text{PG(fall)}}$	PGOOD threshold $V_{\text{OUT}}$ falling			105		% $V_{\text{O}}$
$V_{\text{OVWARN}}$	Overvoltage warning threshold			112		% $V_{\text{O}}$
$V_{\text{OVFAULT}}$	Overvoltage fault threshold			117		% $V_{\text{O}}$
$V_{\text{UVWARN}}$	Undervoltage warning threshold			88		% $V_{\text{O}}$
$V_{\text{UVFAULT}}$	Undervoltage fault threshold			83		% $V_{\text{O}}$
<b>PERFORMANCE</b>						
Efficiency <sup>(6)</sup>		$V_{\text{IN}} = 12\text{ V}$ , $I_{\text{OUT}} = 25\text{ A}$	$V_{\text{OUT}} = 0.8\text{ V}$	83%		
			$V_{\text{OUT}} = 1.2\text{ V}$	87%		
			$V_{\text{OUT}} = 1.8\text{ V}$	90%		
		$V_{\text{IN}} = 5\text{ V}$ , $I_{\text{OUT}} = 25\text{ A}$	$V_{\text{OUT}} = 0.8\text{ V}$	84%		
			$V_{\text{OUT}} = 1.2\text{ V}$	88%		
			$V_{\text{OUT}} = 1.8\text{ V}$	91%		
Transient response <sup>(6)</sup>		10 A / $\mu\text{s}$ load step from 25% to 75% of $I_{\text{OUT(max)}}$ , $C_{\text{OUT}} = 1000\text{ }\mu\text{F}$ , $\text{RC} = 1\text{ k}\Omega$ , $\text{CC} = 1\text{ nF}$	$V_{\text{OUT}}$ over/undershoot	60		mV
			Recovery time	60		$\mu\text{s}$
		10 A / $\mu\text{s}$ load step from 25% to 75% of $I_{\text{OUT(max)}}$ , $C_{\text{OUT}} = 2000\text{ }\mu\text{F}$ , $\text{RC} = 665\text{ }\Omega$ , $\text{CC} = 1.5\text{ nF}$	$V_{\text{OUT}}$ over/undershoot	40		mV
			Recovery time	60		$\mu\text{s}$
		10 A / $\mu\text{s}$ load step from 25% to 75% of $I_{\text{OUT(max)}}$ , $C_{\text{OUT}} = 4000\text{ }\mu\text{F}$ , $\text{RC} = 499\text{ }\Omega$ , $\text{CC} = 2.2\text{ nF}$	$V_{\text{OUT}}$ over/undershoot	27		mV
			Recovery time	60		$\mu\text{s}$
<b>INTERNAL LOAD (BP6, BP3)</b>						
$V_{\text{BP6}}$	BP6 regulator output voltage	$7.5\text{ V} \leq V_{\text{IN}} \leq 15\text{ V}$ , switching	5.85	6.4	6.95	V
$V_{\text{BP6(DO)}}$	Dropout voltage	$(V_{\text{VIN}} - V_{\text{BP6}})$ , $V_{\text{IN}} = 4.5\text{ V}$ , switching			400	mV
$V_{\text{BP3}}$	BP3 regulator output voltage	$V_{\text{IN}} \geq 4.5\text{ V}$	3	3.2	3.4	V
<b>CAPACITANCE</b>						
$C_{\text{IN}}$	External input capacitance	ceramic	88			$\mu\text{F}$
		non-ceramic		660		$\mu\text{F}$
$C_{\text{OUT}}$	External output capacitance	ceramic <sup>(7)</sup>	188			$\mu\text{F}$
		non-ceramic <sup>(7)</sup>		940	4000 <sup>(8)</sup>	$\mu\text{F}$
			ESR <sup>(9)</sup>			5

(6) Specified by design. Not production tested.

(7) The minimum required output capacitance consists of  $4 \times 47\text{-}\mu\text{F}$  ceramic capacitors and  $2 \times 470\text{-}\mu\text{F}$ , 10-m $\Omega$  ESR (5 m $\Omega$  equivalent).

(8) The proper frequency compensation network values are determined by the total amount of output capacitance. (See the [Setting the Compensation Network](#) section.)

(9) The maximum ESR refers to the combined equivalent ESR of all non-ceramic output capacitors. For example, two 10-m $\Omega$  ESR capacitors have a combined equivalent ESR of 5 m $\Omega$ .

## 6.6 Switching Characteristics

Over  $-40^{\circ}\text{C}$  to  $105^{\circ}\text{C}$  free-air temperature range,  $V_{\text{IN}} = 12\text{ V}$ ,  $V_{\text{OUT}} = 1.2\text{ V}$ ,  $I_{\text{OUT}} = I_{\text{OUT max}}$ ,  $f_{\text{SW}} = 500\text{ kHz}$ ,  $C_{\text{IN1}} = 4 \times 22\text{-}\mu\text{F}$  25-V 1210 ceramic,  $C_{\text{IN2}} = 2 \times 330\text{-}\mu\text{F}$  electrolytic bulk,  $C_{\text{OUT1}} = 4 \times 47\text{-}\mu\text{F}$ , 6.3-V 1210 ceramic,  $C_{\text{OUT2}} = 2 \times 470\text{-}\mu\text{F}$ , 6.3-V polymer bulk (unless otherwise noted)

PARAMETER		TEST CONDITIONS	MIN	TYP	MAX	UNIT
<b>OSCILLATOR</b>						
$f_{\text{SW}}$	Switching frequency	Factory default setting. RT_SEL grounded, No $R_{\text{T}}$ resistor	425	500	575	kHz
		$R_{\text{T}} = 68.1\text{ k}\Omega$ , 1% RT_SEL open	255	300	345	
		$R_{\text{T}} = 20.0\text{ k}\Omega$ , 1% RT_SEL open	850	1000	1150	
		Adjustment range	300		1000	
<b>PWM</b>						
$t_{\text{ON-MIN}}$	Minimum on time <sup>(1)</sup>			50	100	ns
$t_{\text{OFF-MIN}}$	Minimum off time <sup>(1)</sup>	$f_{\text{SW}} = 1\text{ MHz}$		515	560	ns
<b>SYNCHRONIZATION</b>						
$V_{\text{IH(sync)}}$	High-level input voltage		2.2			V
$V_{\text{IL(sync)}}$	Low-level input voltage				0.8	V
$D_{\text{SYNC}}$	Sync input duty cycle	$f_{\text{SW}} = 300\text{ kHz}$ to $1\text{ MHz}$		50%		
$f_{\text{SYNC}}$	Sync frequency range		300		1000	kHz

(1) Specified by design. Not production tested.

## 6.7 Programmable Characteristics

Over operating free-air temperature range,  $V_{\text{IN}} = 12\text{ V}$ ,  $f_{\text{SW}} = 500\text{ kHz}$  (unless otherwise noted)

PARAMETER		TEST CONDITIONS	MIN	TYP	MAX	UNIT
<b>SOFT START (PMBus Programmable)</b>						
TON_RISE	Soft-start time	Factory default setting		3		ms
		Programmable range, 16 discrete settings <sup>(1)(2)</sup>	0		100	ms
		Accuracy, TON_RISE = 3 ms	-10%		10%	
TON_MAX_FAULT_LIMIT	Upper limit in time to power up the output	Factory default setting <sup>(3)</sup>		0		ms
		Programmable range, 16 discrete settings <sup>(1)(3)</sup>	0		100	ms
		Accuracy <sup>(1)</sup>	-10%		10%	
TON_DELAY	Turnon delay	Factory default setting		0		ms
		Programmable range, 16 discrete settings <sup>(1)</sup>	0		100	ms
		Accuracy <sup>(1)</sup>	-10%		10%	
<b>SOFT STOP (PMBus Programmable)</b>						
TOFF_FALL	Soft-start time	Factory default setting		3		ms
		Programmable range, 16 discrete settings <sup>(1)(2)</sup>	0		100	ms
		Accuracy, TOFF_FALL = 1 ms	-10%		10%	
TOFF_DELAY	Turnon delay	Factory default setting <sup>(2)</sup>		0		ms
		Programmable range, 16 discrete settings <sup>(1)</sup>	0		100	ms
		Accuracy <sup>(1)</sup>	-10%		10%	
<b>UNDERVOLTAGE LOCKOUT (UVLO) (PMBus Programmable)</b>						
VIN_ON	Input turnon voltage	Factory default setting		4.5		V
		Programmable range, 15 discrete settings <sup>(1)</sup>	4.25		7.75	V
		Accuracy	-5%		5%	
VIN_OFF	Input turnoff voltage	Factory default setting		4		V
		Programmable range, 15 discrete settings <sup>(1)</sup>	4		7.5	V
		Accuracy <sup>(1)</sup>	-10%		10%	
<b>TEMPERATURE SENSE AND THERMAL SHUTDOWN</b>						

(1) Specified by design. Not production tested.

(2) Setting TON\_RISE or TOFF\_FALL to 0 ms programs the device to bring its output voltage up to the programmed regulation value or down to 0 V as quickly as possible, resulting in an effective TON\_RISE and TOFF\_FALL time of 1 ms.

(3) Setting TON\_MAX\_FAULT\_LIMIT to 0 disables the TON\_MAX\_FAULT response.



## Programmable Characteristics (continued)

Over operating free-air temperature range,  $V_{IN} = 12\text{ V}$ ,  $f_{SW} = 500\text{ kHz}$  (unless otherwise noted)

PARAMETER		TEST CONDITIONS	MIN	TYP	MAX	UNIT
$T_{SD}$	Junction thermal shutdown temperature <sup>(1)</sup>			145	160	°C
$T_{HYST}$	Thermal shutdown hysteresis <sup>(1)</sup>			25		°C
$OT\_FAULT\_LIMIT$	Overtemperature fault limit	Factory default setting		145		°C
		Programmable range <sup>(1)</sup>	120		165	°C
$OT\_WARN\_LIMIT$	Overtemperature warning limit	Factory default setting		120		°C
		Programmable range <sup>(1)</sup>	100		140	°C
$T_{OT(hys)}$	Overtemperature fault warning hysteresis <sup>(1)</sup>		15	20	25	°C
<b>MEASUREMENT SYSTEM</b>						
$M_{VOUT(mg)}$	Output voltage measurement range <sup>(1)</sup>		0		5.8	V
$M_{VOUT(acc)}$	Output voltage measurement accuracy <sup>(1)</sup>	$V_{OUT} = 1.2\text{ V}$	-2%		2%	
$M_{VOUT(lsb)}$	Output voltage measurement bit resolution <sup>(1)</sup>			$2^{-9}$		V
$M_{IOUT(mg)}$	Output current measurement range <sup>(1)</sup>		0		52	A
$M_{IOUT(acc)}$	Output current measurement accuracy	$I_{OUT} \geq 20\text{ A}$	-15%		15%	
		$3\text{ A} \leq I_{OUT} \leq 20\text{ A}$	-3		3	A
$M_{IOUT(lsb)}$	Output current measurement bit resolution <sup>(1)</sup>			62.5		mA
$M_{TSNS(mg)}$	Internal temperature sense range <sup>(1)</sup>		-40		165	°C
$M_{TSNS(acc)}$	Internal temperature sense accuracy <sup>(1)</sup>	$-40^{\circ}\text{C} \leq T_J \leq 165^{\circ}\text{C}$	-5		5	°C
$M_{TSNS(lsb)}$	Internal temperature sense bit resolution <sup>(1)</sup>			1		°C
<b>PMBus INTERFACE</b>						
$V_{IH(PMBUS)}$	Logic-high voltage on CLK, DATA, CNTL		1.35			V
$V_{IL(PMBUS)}$	Logic-low voltage on CLK, DATA, CNTL				0.8	V
$V_{hysCNTL}$	Hysteresis on CNTL			170		mV
$I_{IH(PMBUS)}$	Input high-level current into CLK, DATA		-10		10	μA
$I_{IL(PMBUS)}$	Input low-level current into CLK, DATA		-10		10	μA
$I_{CNTL}$	CNTL pin pullup current		5		10	μA
$V_{OL(PMBUS)}$	Output low-level voltage on DATA, ALERT	$V_{IN} > 4.5\text{ V}$ , $I_{OL(PMBUS)} = 4\text{ mA}$			0.4	V
$I_{OH(PMBUS)}$	Output high-level leakage current into DATA, ALERT	Voltage on DATA, ALERT = 5.5 V			10	μA
$I_{OL(PMBUS)}$	Output low-level sinking current into DATA, ALERT	Voltage on DATA, ALERT < 0.4 V	4			mA
$f_{PMBUS}$	PMBus operating frequency	Slave mode	10		400	kHz

### 6.8 Typical Characteristics ( $V_{IN} = 12\text{ V}$ )

$V_{IN} = 12\text{ V}$ ,  $T_A = 25^\circ\text{C}$ ,  $f_{SW} = 500\text{ kHz}$  (unless otherwise specified). Safe operating area curves were measured using a Texas Instruments evaluation module (EVM).

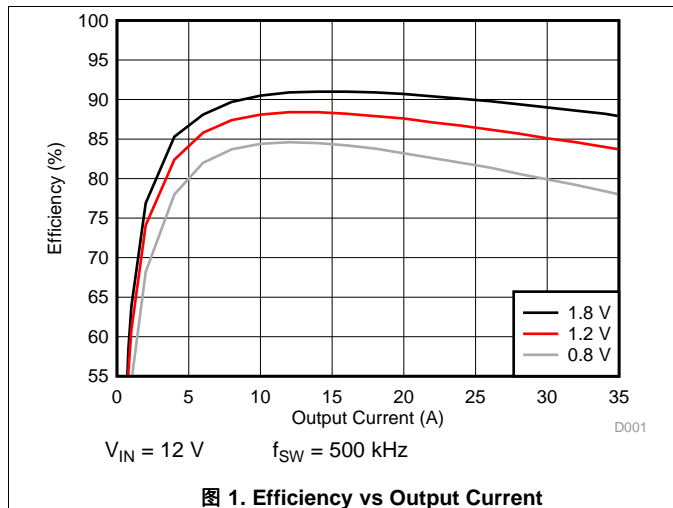


图 1. Efficiency vs Output Current

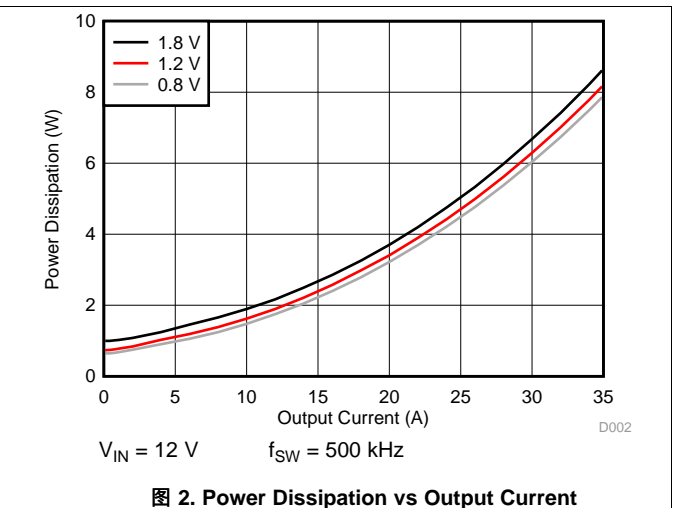


图 2. Power Dissipation vs Output Current

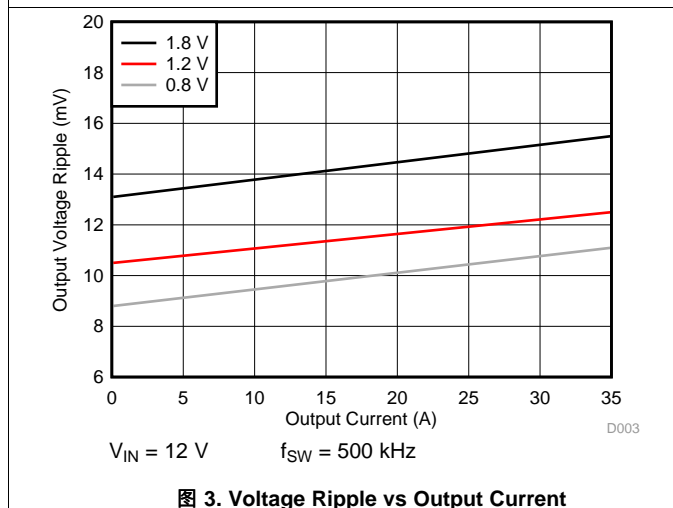


图 3. Voltage Ripple vs Output Current

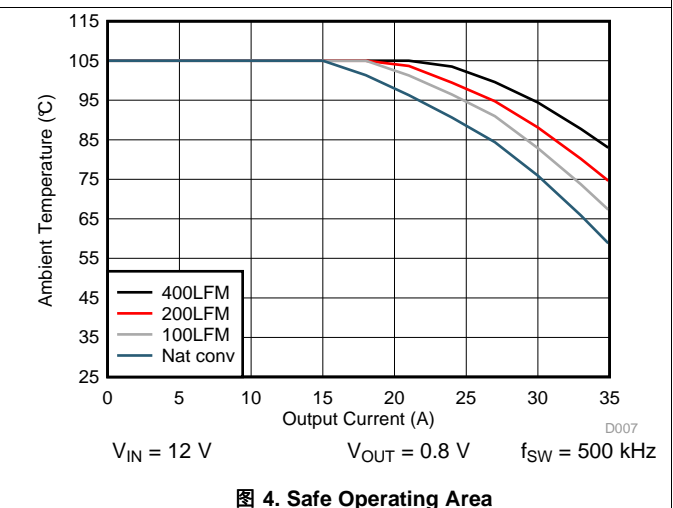


图 4. Safe Operating Area

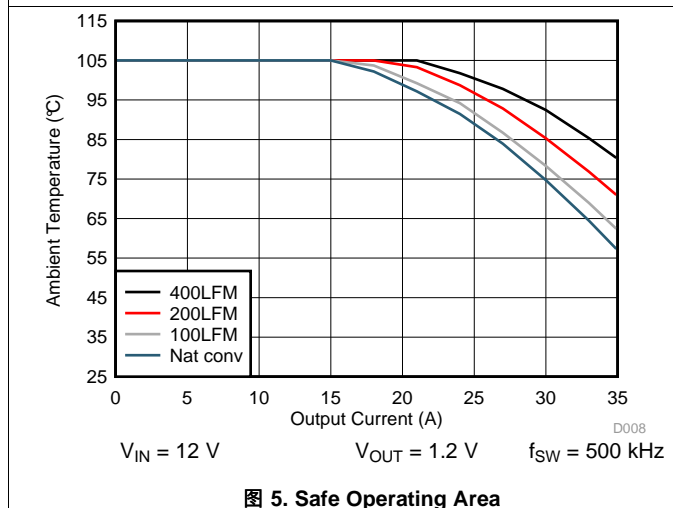


图 5. Safe Operating Area

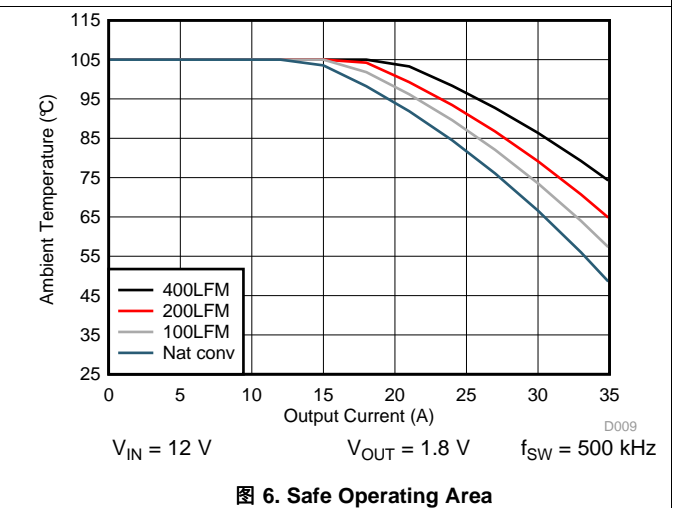


图 6. Safe Operating Area

### 6.9 Typical Characteristics ( $V_{IN} = 5\text{ V}$ )

$V_{IN} = 5\text{ V}$ ,  $T_A = 25^\circ\text{C}$ ,  $f_{SW} = 500\text{ kHz}$  (unless otherwise specified). Safe operating area curves were measured using a Texas Instruments evaluation module (EVM).

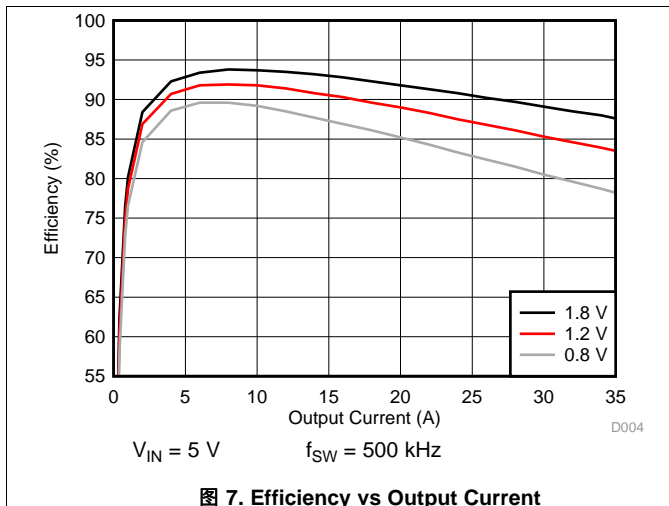


图 7. Efficiency vs Output Current

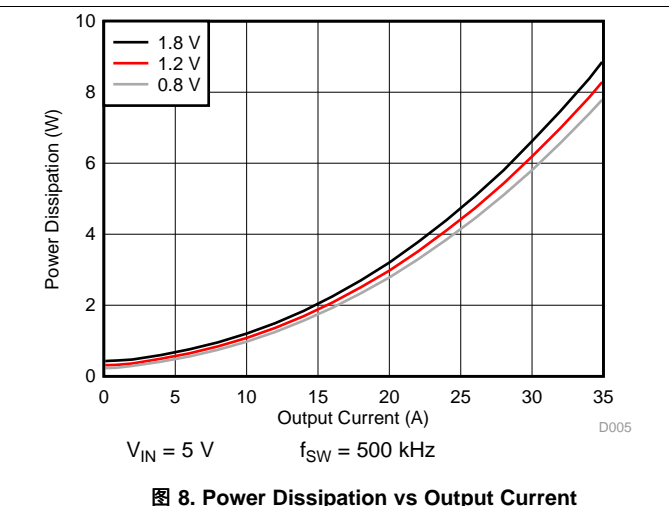


图 8. Power Dissipation vs Output Current

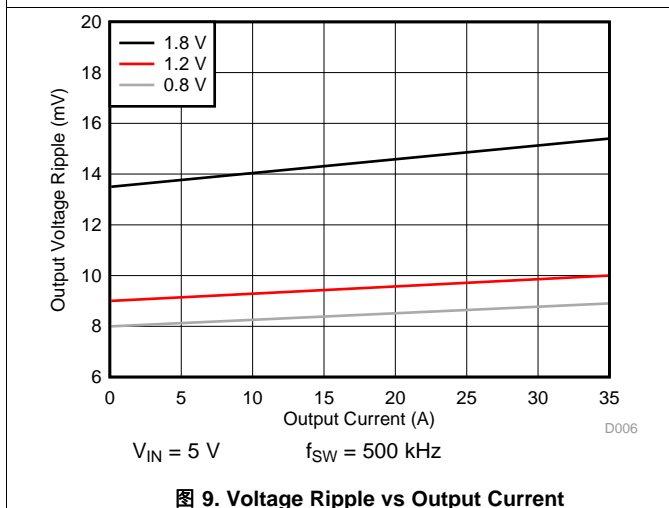


图 9. Voltage Ripple vs Output Current

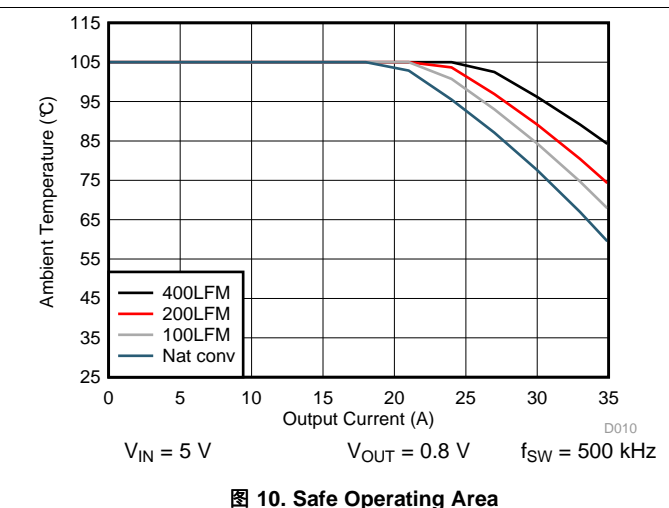


图 10. Safe Operating Area

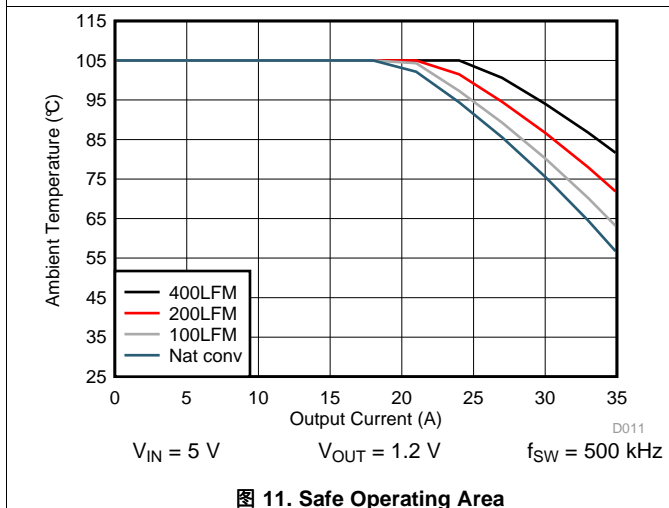


图 11. Safe Operating Area

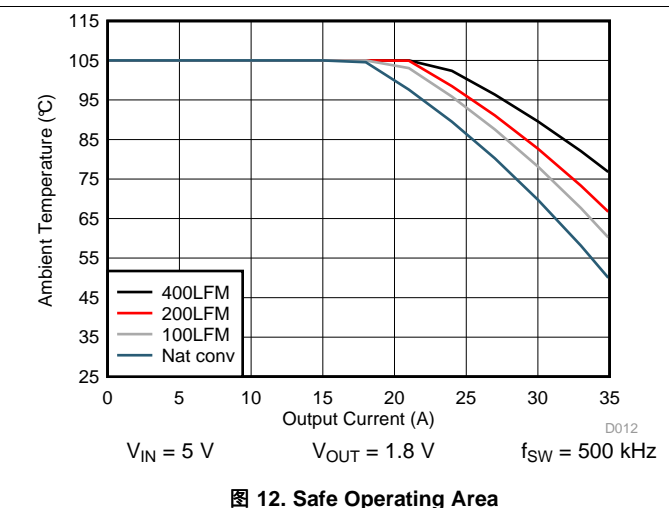


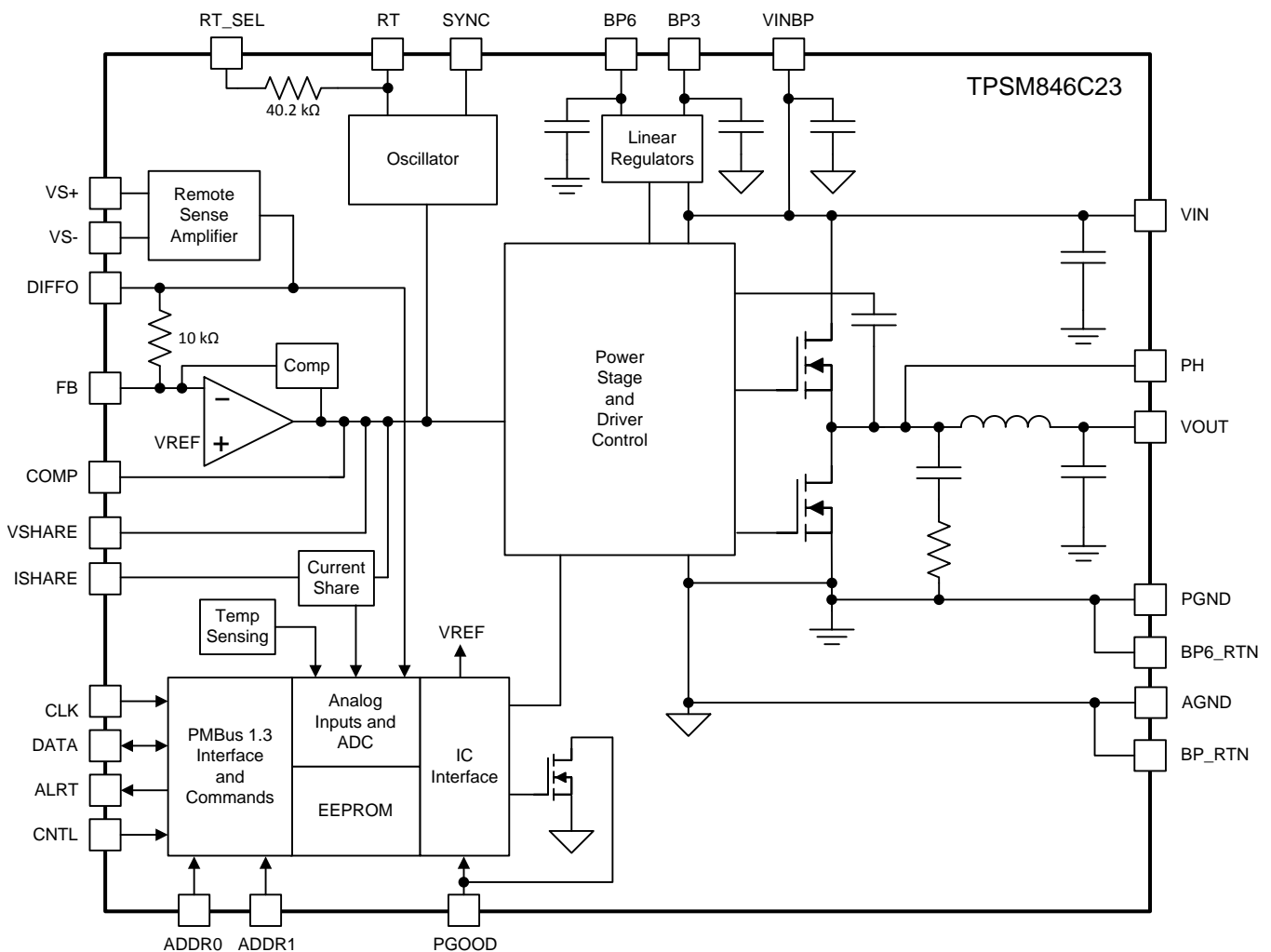
图 12. Safe Operating Area

## 7 Detailed Description

### 7.1 Overview

The TPSM846C23 device is a PMBus-1.3-compliant, 35-A, high-performance, synchronous buck-power module, enabling high-power density and minimal PCB area. This device implement the industry-standard fixed switching frequency, voltage-mode control with input feed-forward topology that responds instantly to input voltage change. This device can be synchronized to the external clock to eliminate beat noise and reduce EMI and EMC. Monotonic prebias capability eliminates concerns about damaging sensitive loads. Two TPSM846C23 devices can be paralleled together to provide up to 70-A load. Current sensing for overcurrent protection, current reporting, and current sharing between two devices are implemented by sampling a small portion of the power-stage current, which provides accurate information independent of the device temperature. The integrated PMBus interface capability provides precise current monitoring, voltage monitoring, and internal die-temperature monitoring, as well as many user-programmable configuration options including adaptive voltage scaling (AVS) function through standard VOUT\_COMMAND on the PMBus.

### 7.2 Functional Block Diagram



Copyright © 2018, Texas Instruments Incorporated

## 7.3 Feature Description

### 7.3.1 PMBus

#### 7.3.1.1 PMBus General Description

Timing and electrical characteristics of the PMBus interface specification can be found in the *PMB Power Management Protocol Specification, Part 1, revision 1.3* available at <http://pmbus.org>. The TPSM846C23 device supports both the 100-kHz and 400-kHz bus timing requirements. The devices do not stretch pulses when communicating with the master device.

Communication over the PMBus interface can support the packet error checking (PEC) scheme if desired. If the master supplies clock (CLK pin) pulses for the PEC byte, PEC is used. If the CLK pulses are not present before a STOP, the PEC is not used.

The devices support a subset of the commands in the PMBus 1.3 Power Management Protocol Specification. See [Supported PMBus Commands](#) for more information

The devices contain nonvolatile memory that stores configuration settings and scale factors. However, the device does not automatically save the settings programmed into this nonvolatile memory. The [STORE\\_DEFAULT\\_ALL \(11h\)](#) or [STORE\\_USER\\_ALL \(15h\)](#) command must be used to commit the current settings to nonvolatile memory as device defaults. The settings that are capable of being stored in nonvolatile memory are noted in the detailed command descriptions.

#### 7.3.1.2 PMBus Address

The PMBus specification requires that each device connected to the PMBus have a unique address on the bus. The TPSM846C23 device has 64 possible addresses (0 through 63 in decimal) that can be assigned by connecting resistors from the ADDR0 and ADDR1 pins to AGND. The address is set in the form of two octal digits (0 to 7), one digit for each pin. ADDR1 is the high order digit, and ADDR0 is the low-order digit. These address selection resistors must be 1% tolerance or better. Using resistors other than the recommended values can result in devices responding to adjacent addresses. The PMBus address, in decimal, is given by the following expression:

$$\text{PMBus Address} = 8 \times \text{ADDR1}(\text{level}) + \text{ADDR0}(\text{level})$$

The E96 series resistors with no worse than 1% tolerance suggested for each digit value are shown in [表 1](#).

**表 1. Required Address Resistors**

LEVEL	RESISTOR VALUE (kΩ)
0	7.15
1	14
2	22.6
3	34.8
4	51.1
5	78.7
6	121
7	187

The TPSM846C23 device also detects values that are out of range on the ADDR0 and ADDR1 pins. If the device detects that either pin has an out-of-range resistance connected to it, the device continues to respond to PMBus interface commands, but does so at address 127 decimal, which is outside of the possible programmed addresses. It is possible, but not recommended, to use the device in this condition, especially if other devices are present on the bus or if another device could possibly occupy the 127 decimal address.

Certain addresses in the I<sup>2</sup>C address space are reserved for special functions, and it is possible to set the address of the devices to respond to these addresses. The user is responsible for knowing which of these reserved addresses are in use in a system and for setting the address of the devices accordingly so as not to interfere with other system operations. The devices can be set to respond to the global call address or 0. TI recommends not setting the devices to this address unless the user is certain that no other devices respond to this address and that the overall bus is not affected by having such an address present.

### 7.3.1.3 PMBus Connections

The PMBus interface implemented in the TPSM846C23 device consists of four signal lines: CLK, DATA, ALERT, and CNTL. The electrical specifications for the hardware interface follow the specifications given in System Management Bus (SMBus) specification V2.0. The module supports both the 100-kHz and 400-kHz bus speeds. For 400-kHz operation, observe the high-power DC specifications found in section 3.1.3 of the SMBus specification.

Communication over the PMBus using packet error checking (PEC) is supported but is optional. If the master supplies CLK pulses for the PEC byte, the PEC is used. If CLK pulses are not present before a STOP, the PEC is not used. When data is transmitted over the bus, the lowest order byte is sent first, and the highest order byte is sent last. Within any byte, the most significant bit (MSB) is sent first, and the least significant bit (LSB) is sent last.

The TPSM846C23 supports the SMBALERT response protocol. This protocol is a mechanism by which a slave (the TPSM846C23) can alert the bus master, via the ALERT pin, that it must communicate. The master processes this event and simultaneously accesses all slaves on the bus (that support the protocol) through the alert response address. Only the slave that caused the alert acknowledges this request. The host performs a modified receive byte operation to get the slave address. At this point, the master can use the PMBus status commands to query the slave that caused the alert. For more information on the SMBus alert protocol, see the SMBus specification.

The CNTL signal is an input signal on the PMBus. It can be used to turn the power-conversion function of the module on and off in conjunction with commands received over the bus. It can be configured as an active high or active low signal through the ON\_OFF\_CONFIG command. The CNTL signal is programmed at the factory to be an active high signal; that is, the CNTL pin must be pulled high for power conversion to occur. The customer can change this configuration if desired.

For more information, see the *PMBus Interface* section of the [Programmable Characteristics](#) table.

### 7.3.1.4 Supported PMBus Commands

The commands listed in [表 2](#) are implemented as described to conform to the PMBus 1.3 specification. [表 2](#) also lists the default for the bit behavior and register values.

**表 2. Supported PMBus Commands and Default Values**

CMD CODE	PMBus 1.3 COMMAND NAME	PMBus COMMAND DESCRIPTION	DEFAULT BEHAVIOR	DEFAULT REGISTER VALUE	NVM
01h	<a href="#">OPERATION</a>	Can be configured through ON_OFF_CONFIG to be used to turn the output on and off with or without input from the CTRL pin.	OPERATION is not used to enable regulation	00h	No
02h	<a href="#">ON_OFF_CONFIG</a>	Configures the combination of CNTL pin input and OPERATION command for turning output on and off.	CNTL only. Active High	16h	Yes
03h	<a href="#">CLEAR_FAULTS</a>	Clears all fault status registers to 0x00 and releases SMBALERT.	Write-only	n/a	No
10h	<a href="#">WRITE_PROTECT</a>	Used to control writing to the volatile operating memory (PMBus and restore from EEPROM).	Allow writes to all registers	00h	Yes
11h	<a href="#">STORE_DEFAULT_ALL</a>	Stores all current storable register settings into EEPROM as new defaults.	Write-only	n/a	No
12h	<a href="#">RESTORE_DEFAULT_ALL</a>	Restores all storable register settings from EEPROM.	Write-only	n/a	No
15h	<a href="#">STORE_USER_ALL</a>	Stores all current storable register settings into EEPROM as new defaults.	Write-only	n/a	No
16h	<a href="#">RESTORE_USER_ALL</a>	Restores all storable register settings from EEPROM.	Write-only	n/a	No
19h	<a href="#">CAPABILITY</a>	Provides a way for a host system to determine key PMBus capabilities of the device.	Read-only. PMBus v1.3, 400 kHz, PEC and SMBus Alert Response Protocol supported	B0h	No
1Bh	<a href="#">SMBALERT_MASK</a>	Mask Warn or Fault status bits	Mask PGOOD only	n/a	Yes
20h	<a href="#">VOUT_MODE</a>	Read-only output mode indicator.	Fixed at 2 <sup>-9</sup> (1.953 mV/count)	17h	No
21h	<a href="#">VOUT_COMMAND</a>	Default regulation setpoint	500 mV	0100h	Yes

**表 2. Supported PMBus Commands and Default Values (接下页)**

CMD CODE	PMBus 1.3 COMMAND NAME	PMBus COMMAND DESCRIPTION	DEFAULT BEHAVIOR	DEFAULT REGISTER VALUE	NVM
24h	VOUT_MAX	Sets the maximum output voltage. VOUT_MAX imposes a higher bound to any attempted V <sub>OUT</sub> setting.	If VOUT_SCALE_LOOP = 1: VOUT_MAX restores to 1.65 V	034Dh	No
			If VOUT_SCALE_LOOP = 0.5: VOUT_MAX restores to 3.3 V	069Ah	
			If VOUT_SCALE_LOOP = 0.25: VOUT_MAX restores to 6 V	0C00h	
27h	VOUT_TRANSITION_RATE	Sets the rate at which the output should change voltage.	1 mV/us	D03Ch	No
29h	VOUT_SCALE_LOOP	Sets output sense scaling ratio for main control loop.	1	F004h	Yes
2Bh	VOUT_MIN	Sets the minimum output voltage. VOUT_MIN imposes a lower bound to any attempted V <sub>OUT</sub> setting.	If VOUT_SCALE_LOOP = 1: VOUT_MIN restores to 0.35 V	00B3h	No
			If VOUT_SCALE_LOOP = 0.5: VOUT_MIN restores to 0.7 V	0166h	
			If VOUT_SCALE_LOOP = 0.25: VOUT_MIN restores to 1.4 V	02CCCh	
35h	VIN_ON	Sets value of input voltage at which the device must start power conversion.	4.5 V	F012h	Yes
36h	VIN_OFF	Sets value of input voltage at which the device must stop power conversion.	4 V	F010h	Yes
39h	IOUT_CAL_OFFSET	Can be set to null out offsets in the current sensing circuit.	0.0000 A	E000h	Yes
41h	VOUT_OV_FAULT_RESPONSE	Sets output overvoltage fault response.	Restart	BFh	Yes
45h	VOUT_UV_FAULT_RESPONSE	Sets output undervoltage fault response.	Ignore	3Fh	Yes
46h	IOUT_OC_FAULT_LIMIT	Sets the limit value of the output current that causes an overcurrent fault condition.	42 A	F854h	Yes
47h	IOUT_OC_FAULT_RESPONSE	Sets response to output overcurrent faults to latch-off, hiccup mode or ignore.	Hiccup/Restart	FFh	Yes
4Ah	IOUT_OC_WARN_LIMIT	Sets the limit value of the output current that causes an overcurrent warning condition.	37 A (87.5% of OCF)	F84Ah	No
4Fh	OT_FAULT_LIMIT	Sets the limit value of the sensed temperature that causes an overtemperature fault condition.	145°C	0091h	Yes
50h	OT_FAULT_RESPONSE	Sets response to over temperature faults to latch-off, hiccup mode or ignore.	Hiccup/Restart	BFh	Yes
51h	OT_WARN_LIMIT	Sets the limit value of the sensed temperature that causes an overtemperature warning condition.	120°C (OTF – 25°C)	0078h	No
60h	TON_DELAY	Sets the turnon delay.	0 ms	0000h	Yes
61h	TON_RISE	Sets the time from when the output starts to rise until the voltage has entered the regulation band.	3 ms	0003h	Yes
62h	TON_MAX_FAULT_LIMIT	Sets an UPPER limit, in milliseconds, that the unit can attempt to power up the output without reaching the output undervoltage fault limit. The time begins counting as the device enters the soft-start period.	Disabled	0000h	No
63h	TON_MAX_FAULT_RESPONSE	Sets the soft-start timeout fault response.	Restart	BFh	Yes
64h	TOFF_DELAY	Sets the turnoff delay.	0 ms	0000h	Yes
65h	TOFF_FALL	Sets the soft stop fall time.	3 ms	0003h	Yes
78h	STATUS_BYTE	Returns one byte summarizing the most critical faults.		Current status	No
79h	STATUS_WORD	Returns two bytes summarizing fault and warning conditions.		Current status	No
7Ah	STATUS_VOUT	Returns one byte detailing if an output fault or warning has occurred.		Current status	No
7Bh	STATUS_IOUT	Returns one byte detailing if an overcurrent fault or warning has occurred.		Current status	No
7Ch	STATUS_INPUT	Returns one byte of information relating to the status of the converter's input related faults.		Current status	No

**表 2. Supported PMBus Commands and Default Values (接下页)**

CMD CODE	PMBus 1.3 COMMAND NAME	PMBus COMMAND DESCRIPTION	DEFAULT BEHAVIOR	DEFAULT REGISTER VALUE	NVM
7Dh	<a href="#">STATUS_TEMPERATURE</a>	Returns one byte detailing if a sensed temperature fault or warning has occurred.		Current status	No
7Eh	<a href="#">STATUS_CML</a>	Returns one byte containing PMBus serial communication faults.		Current status	No
80h	<a href="#">STATUS_MFR_SPECIFIC</a>	Returns one byte detailing if internal overtemperature or address detection fault has occurred.		Current status	No
8Bh	<a href="#">READ_VOUT</a>	Returns the output voltage in volts.	Read only	Current status	No
8Ch	<a href="#">READ_IOUT</a>	Returns the output current in amps.	Read only	Current status	No
8Dh	<a href="#">READ_TEMPERATURE_1</a>	Returns the sensed die temperature in degrees Celsius.	Read-only	Current status	No
98h	<a href="#">PMBUS_REVISION</a>	Returns PMBus revision to which the device is compliant.	PMBus 1.3	33h	No
ADh	<a href="#">IC_DEVICE_ID</a>	This read-only block read command returns a single word (16 bits) with the unique device code identifier for each device for which this device can be configured. The BYTE_COUNT field in the block read command is 2 (indicating 2 bytes follow): low byte first, then high byte.	TPS546C23	4623h	No
A Eh	<a href="#">IC_DEVICE_REV</a>	This read-only block read command returns a single word (16 bits) with the unique device revision identifier. The BYTE_COUNT field in the block read command is 2 (indicating 2 bytes follow): low byte first, then high byte.	Read only	0001h	No
D0h	<a href="#">MFR_SPECIFIC_00</a>	User scratch pad.		0000h	Yes
D4h	<a href="#">VREF_TRIM (MFR_SPECIFIC_04) (D4h)</a>	Applies a fixed offset voltage to the error amplifier reference voltage (EA_REF).	Fixed offset of 0 mV	0000h	Yes
D5h	<a href="#">STEP_VREF_MARGIN_HIGH (MFR_SPECIFIC_05) (D5h)</a>	Increases the value of the reference voltage by shifting the reference higher.	If RSMHI_VAL = 0: STEP_VREF_MARGIN_HIGH will restore to 17.6 mV	0009h	No
			If RSMHI_VAL = 1: STEP_VREF_MARGIN_HIGH will restore to 29.3 mV	000Fh	
D6h	<a href="#">STEP_VREF_MARGIN_LOW (MFR_SPECIFIC_06) (D6h)</a>	Decreases the value of the reference voltage by shifting the reference lower.	If RSMLO_VAL = 0: STEP_VREF_MARGIN_LOW will restore to -17.6 mV	FFF7h	No
			If RSMLO_VAL = 1: STEP_VREF_MARGIN_LOW will restore to -29.3 mV	FFF1h	
D7h	<a href="#">PCT_OV_UV_WRN_FLT_LIMITS (MFR_SPECIFIC_07) (D7h)</a>	Sets the PGOOD, VOUT_UNDER_VOLTAGE (UV) and VOUT_OVER_VOLTAGE (OV) Limits as a percentage of nominal.	-17% for UV Fault, -12% for UV Warning, +12% for OV Warning, +17% for OV Fault	00h	Yes
E5h	<a href="#">OPTIONS (MFR_SPECIFIC_21)</a>	Sets user-selectable options.	See detailed command description	1084h	Yes
F0h	<a href="#">MISC_CONFIG_OPTIONS (MFR_SPECIFIC_32)</a>	Sets miscellaneous user-selectable options.	See detailed command description	0193h	Yes

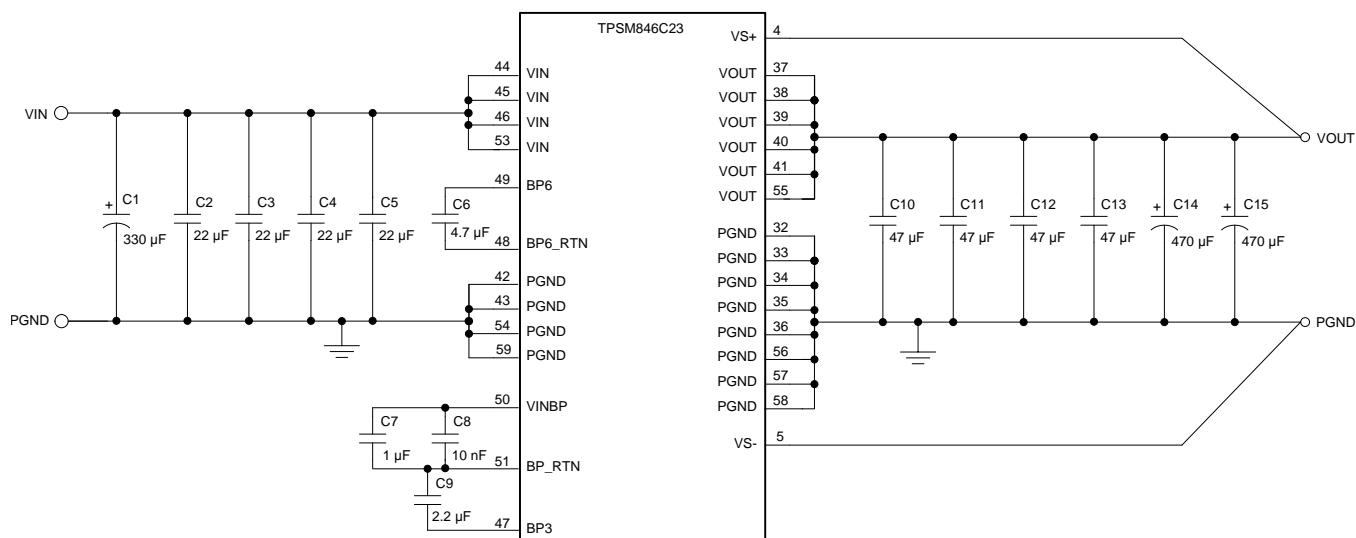


### 7.3.2 Minimum Capacitance Requirements

For proper operation, the minimum required input capacitance network consists of four 22- $\mu\text{F}$  (or two 47- $\mu\text{F}$ ) ceramic capacitors plus a 330- $\mu\text{F}$  bulk capacitor. See capacitors C1 thru C5 in [Figure 13](#). Place the ceramic capacitors as close as possible to the VIN pins. Connect the ground return path of the capacitors to PGND pins 42, 43, 54, and 59 of the TPSM846C23.

The minimum required output capacitance network consists of four 47- $\mu\text{F}$  (or two 100- $\mu\text{F}$ ) ceramic capacitors plus two 470- $\mu\text{F}$ , low-ESR polymer capacitors. See capacitors C10 thru C15 in [Figure 13](#). The combined ESR of the polymer capacitors must not be greater than 5 m $\Omega$ . Place the ceramic capacitors as close as possible to the VOUT and PGND pins of the module. This minimum network insures good transient response and minimal ripple amplitude. The total amount of output capacitance determines the values of the frequency compensation network. For more details see [Setting the Compensation Network](#).

Additionally, the analog power path (VINBP) requires its own bypass network consisting of a 10-nF ceramic capacitor (C8 in [Figure 13](#)) and 1- $\mu\text{F}$  ceramic capacitor (C7 in [Figure 13](#)) connected directly across pins 50 and 51 of the module. For proper operation, the two internal power supply rails of the module must also be bypassed. The 6.5-V rail (BP6) requires a 4.7- $\mu\text{F}$  ceramic capacitor (C6 in [Figure 13](#)) placed across pins 48 and 49 of the module with short, direct traces. The 3.3-V rail (BP3) requires a 2.2- $\mu\text{F}$  ceramic capacitor (C9 in [Figure 13](#)) placed very close to pins 47 and 51.

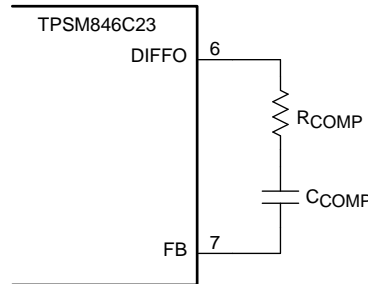


Copyright © 2017, Texas Instruments Incorporated

图 13. Required Capacitor Schematic

### 7.3.3 Setting the Compensation Network

The TPSM846C23 requires an external series resistor and capacitor compensation network to be connected between the DIFFO pin (pin 6) and the FB pin (pin 7). These are  $R_{COMP}$  and  $C_{COMP}$  in 图 14. The value of these components is determined by the total amount of output capacitance and the switching frequency. Only ceramic and low-ESR, polymer-type capacitors are recommended. These parts should be placed as close as possible to the module and away from noisy signal traces. Suggested values for  $R_{COMP}$  and  $C_{COMP}$  for some typical values of output capacitance are given in 表 3. Determine final values by testing system stability using standard power supply evaluation techniques.



Copyright © 2017, Texas Instruments Incorporated

图 14. Compensation Components

表 3. Recommended Compensation Components

TOTAL $C_{OUT}$ ( $\mu$ F)		SWITCHING FREQUENCY						TYPICAL $C_{OUT}$	
		300 - 400 kHz		400 - 600 kHz		600 - 1000 kHz			
MIN	MAX	$R_{COMP}$	$C_{COMP}$	$R_{COMP}$	$C_{COMP}$	$R_{COMP}$	$C_{COMP}$	Ceramic	Polymer
1000	1500	1.0 k $\Omega$	1000 pF	665 $\Omega$	1500 pF	499 $\Omega$	2200 pF	4 x 47 $\mu$ F	2 x 470 $\mu$ F
1500	3000	665 $\Omega$	1500 pF	499 $\Omega$	2200 pF	249 $\Omega$	4700 pF	4 x 47 $\mu$ F	4 x 470 $\mu$ F
3000	5000	499 $\Omega$	2200 pF	249 $\Omega$	4700 pF	124 $\Omega$	6800 pF	4 x 47 $\mu$ F	4 x 1000 $\mu$ F

### 7.3.4 Transient Response

The TPSM846C23 is designed to have an exceptional output voltage transient response to output current load steps. 表 4 shows the voltage deviation for several transient conditions.

**表 4. Output Voltage Transient Response**

$C_{IN} = 4 \times 22\text{-}\mu\text{F Ceramic}, 2 \times 330\text{-}\mu\text{F Electrolytic}$							
$V_{OUT}$ (V)	$V_{IN}$ (V)	$f_{SW}$ (kHz)	$R_{COMP}$	$C_{COMP}$	$C_{OUT}$		VOLTAGE <sup>(1)</sup> DEVIATION (mV)
					Ceramic	NON-CERAMIC <sup>(2)</sup>	
0.6	5	500	499 $\Omega$	2200 pF	4x 47 $\mu\text{F}$	4x 470 $\mu\text{F}$	33
		500	249 $\Omega$	4700 pF	4x 47 $\mu\text{F}$	4x 1000 $\mu\text{F}$	22
	12	500	249 $\Omega$	4700 pF	4x 47 $\mu\text{F}$	4x 470 $\mu\text{F}$	24
		750	124 $\Omega$	6800 pF	4x 47 $\mu\text{F}$	4x 1000 $\mu\text{F}$	18
0.8	5	500	499 $\Omega$	2200 pF	4x 47 $\mu\text{F}$	4x 470 $\mu\text{F}$	37
		750	124 $\Omega$	6800 pF	4x 47 $\mu\text{F}$	4x 1000 $\mu\text{F}$	19
	12	500	499 $\Omega$	2200 pF	4x 47 $\mu\text{F}$	4x 470 $\mu\text{F}$	33
		500	249 $\Omega$	4700 pF	4x 47 $\mu\text{F}$	4x 1000 $\mu\text{F}$	20
1.0	5	500	665 $\Omega$	1500 pF	4x 47 $\mu\text{F}$	2x 470 $\mu\text{F}$	48
		500	499 $\Omega$	2200 pF	4x 47 $\mu\text{F}$	4x 470 $\mu\text{F}$	38
		500	249 $\Omega$	4700 pF	4x 47 $\mu\text{F}$	4x 1000 $\mu\text{F}$	26
	12	500	665 $\Omega$	1500 pF	4x 47 $\mu\text{F}$	2x 470 $\mu\text{F}$	41
		500	499 $\Omega$	2200 pF	4x 47 $\mu\text{F}$	4x 470 $\mu\text{F}$	32
		750	499 $\Omega$	2200 pF	4x 47 $\mu\text{F}$	2x 470 $\mu\text{F}$	26
1.2	5	500	665 $\Omega$	1500 pF	4x 47 $\mu\text{F}$	2x 470 $\mu\text{F}$	38
		750	499 $\Omega$	2200 pF	4x 47 $\mu\text{F}$	2x 470 $\mu\text{F}$	34
	12	500	665 $\Omega$	1500 pF	4x 47 $\mu\text{F}$	2x 470 $\mu\text{F}$	39
		500	499 $\Omega$	2200 pF	4x 47 $\mu\text{F}$	4x 470 $\mu\text{F}$	35
2.0	5	300	1.0 k $\Omega$	1000 pF	4x 47 $\mu\text{F}$	2x 470 $\mu\text{F}$	50
		500	665 $\Omega$	1500 pF	4x 47 $\mu\text{F}$	2x 470 $\mu\text{F}$	38
	12	300	1.0 k $\Omega$	1000 pF	4x 47 $\mu\text{F}$	2x 470 $\mu\text{F}$	57
		500	665 $\Omega$	1500 pF	4x 47 $\mu\text{F}$	2x 470 $\mu\text{F}$	42

(1) 50% load step at 2.5 A/ $\mu\text{s}$ .

(2) The combined equivalent ESR of all non-ceramic output capacitance must be  $\leq 5$  m $\Omega$ .

### 7.3.5 Setting the Output Voltage via PMBus

The output voltage of the TPSM846C23 is designed to be set via the PMBus using the **VOUT\_COMMAND (21h)**. The output voltage is also dependant on the value of **VOUT\_SCALE\_LOOP (29h)** and the presence of a resistor,  $R_{SET}$ , from the FB pin (pin 7) to AGND. 表 5 illustrates the possible combinations. The module is programmed at the factory for a **VOUT\_SCALE\_LOOP** value of 1 and a **VOUT\_COMMAND** value of 256 (100h), which produces an output voltage of 0.500 V.

表 5. **VOUT\_SCALE\_LOOP** and Output Voltage Range

VOUT_SCALE_LOOP	R <sub>SET</sub> VALUE	OUTPUT VOLTAGE RANGE (V)		VOUT_COMMAND DATA VALID RANGE	
		MIN	MAX	MIN (Hex)	MAX (Hex)
1	Not required	0.35	1.65	179 (0B3h)	845 (34Dh)
0.5	10 kΩ, 1%	0.7	2 <sup>(1)</sup>	358 (166h)	1024 (400h)

(1) The TPSM846C23 is designed to be operated with output voltages no higher than 2 V.

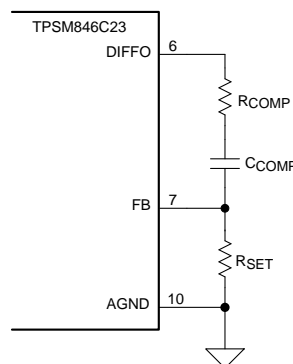
The output voltage is set by writing a value with the PMBus **VOUT\_COMMAND (21h)**. The **VOUT\_COMMAND** value can be calculated using 公式 1, (round to the nearest integer value), and then converted to a 16 bit hexadecimal value. Using the Write Word protocol, write the hexadecimal word to the device using the **VOUT\_COMMAND**.

$$\text{VOUT\_COMMAND value} = (\text{desired } V_{OUT} \times 512) \tag{1}$$

The value written using the **VOUT\_COMMAND** is held in RAM and remains until it is re-written with a new value or if power is removed. If power is removed and then reapplied, the output voltage and the value in the **VOUT\_COMMAND** register are restored to the value stored in the non-volatile memory of the device. To save the **VOUT\_COMMAND** value to non-volatile memory and make it the new default value, issue the **STORE\_DEFAULT\_ALL** command.

For output voltages  $\leq 1.65$  V,  $R_{SET}$  is not required. If an output voltage greater than 1.65 V is required, a 10-kΩ  $R_{SET}$  resistor must be populated. See 图 15 for the proper connection of  $R_{SET}$ .

This device is electrically and thermally characterized up to a maximum of 2-V output, and a maximum of 70-W output power. Operation at higher output voltages may be possible, provided the maximum output power and other internal parameters are not exceeded. Higher output voltages require derating to the output current and may require higher switching frequencies. Consult the TI factory applications engineers for support.



Copyright © 2017, Texas Instruments Incorporated

图 15.  $R_{SET}$  Resistor

### 7.3.6 Setting the Output Voltage Without PMBus

It is possible to operate the module without the need for a PMBus interface. To set the output voltage, the adjustment method requires a resistor,  $R_{SET}$ , connected between the FB pin and AGND as shown in 图 15. To calculate the correct  $R_{SET}$  value, the default value of **VOUT\_COMMAND** must be known. The factory default value of **VOUT\_COMMAND** is 256 (100h), which produces an output voltage of 0.500 V if the  $R_{SET}$  resistor is not populated. 公式 2 can be used to calculate the  $R_{SET}$  value for a given output voltage,  $V_{OUT}$ . Additionally, the  $R_{SET}$  value can be selected from 表 6.

Do not set the output voltage higher than 2 V.

$$R_{SET} = \frac{10}{\left(\frac{(V_{OUT} \times 512)}{256} - 1\right)} \text{ (k}\Omega\text{)} \quad (2)$$

**表 6. Standard  $R_{SET}$  Resistor Values**

$V_{OUT}$ (V)	$R_{SET}$ (k $\Omega$ )	$V_{OUT}$ (V)	$R_{SET}$ (k $\Omega$ )
0.5	open	1.3	6.19
0.6	49.9	1.4	5.49
0.7	24.9	1.5	4.99
0.8	16.5	1.6	4.53
0.9	12.4	1.7	4.12
1	10	1.8	3.83
1.1	8.25	1.9	3.57
1.2	7.15	2	3.32

### 7.3.7 Differential Remote Sense

The TPSM846C23 device implements a differential remote-sense amplifier to provide excellent load regulation by cancelling IR-drop in high-current applications. The VS+ and VS– pins must be Kelvin-connected to the output capacitor bank directly at the load and routed back to the device as a tightly coupled differential pair. Ensure that these traces are isolated from fast switching signals and high current paths on the final PCB layout, as these can add differential-mode noise.

### 7.3.8 Voltage Reference

A reference digital-to-analog converter (DAC) with a 350-mV to 1650-mV range and  $2^{-9}$ -V (1.953 mV) resolution connects to the noninverting input of the error amplifier. The tight tolerance on the reference voltage allows the user to design power supply with very-high DC accuracy.

### 7.3.9 Switching Frequency and Synchronization

#### 7.3.9.1 Setting the Switching Frequency

The TPSM846C23 is set to a default switching frequency of 500 kHz. To operate the TPSM846C23 at the default switching frequency, connect the RT\_SEL pin (pin 14) to AGND, and leave the RT pin (pin 13) open. To change the switching frequency, leave the RT\_SEL pin open and connect a resistor from the RT pin ( $R_{RT}$ ) to AGND. Use [公式 3](#) to calculate the  $R_{RT}$  resistor value.

$$R_{RT} = \frac{18290 + (120 \times V_{IN})}{f_{SW} \text{ (KHZ)}} \text{ (k}\Omega\text{)} \quad (3)$$

The TPSM846C23 devices are designed to operate from 300 kHz to 1 MHz.

#### 7.3.9.2 Synchronization

The TPSM846C23 device can synchronize to an external clock that is  $\pm 20\%$  of the free-running frequency set by  $R_{RT}$ . It is required that the external clock waveform is a square wave with a duty cycle of 50%.

##### 7.3.9.2.1 Stand-Alone Device

The SYNC pin is factory-configured as an input pin. When power is applied, if no external clocking signal is present on the SYNC pin, the device operates at the switching frequency set by the internal or an external timing resistor. If an external clock signal that meets the specification of the Synchronization section of [Switching Characteristics](#) is applied to the SYNC pin, the device synchronizes to the leading edge of the applied waveform. The rising edge of the PH node lags the rising edge of the clocking waveform by approximately 500 ns. The external clock must be a 50% duty-cycle square wave. The external-clock frequency must be with  $\pm 20\%$  of the free-running frequency set by the  $R_{RT}$  resistor. It is permissible for the SYNC signal to become active after the module has powered up. If this is done, there is a small disturbance in the output voltage while the module locks to the SYNC clock. If the SYNC signal is lost during operation, the module quickly detects the loss and reverts to switching at the frequency set by the  $R_{RT}$  resistor. A disturbance occurs in the output voltage upon loss of SYNC.

### 7.3.9.2.2 Paralleled Devices

When two TPSM846C23 devices are paralleled, the SYNC pins of the master and the slave must be supplied with a 50% duty-cycle clock signal at the desired switching frequency. The master device locks to the rising edge of the clock; the slave locks to the falling edge. The 50% duty cycle requirement insures the modules operate 180° out of phase to minimize ripple. Both the master and slave module must have an  $R_{RT}$  resistor present whose value sets a switching frequency within  $\pm 20\%$  of the SYNC clock frequency. See [Parallel Application](#) for more information when paralleling devices.

### 7.3.10 Input Undervoltage Lockout (UVLO)

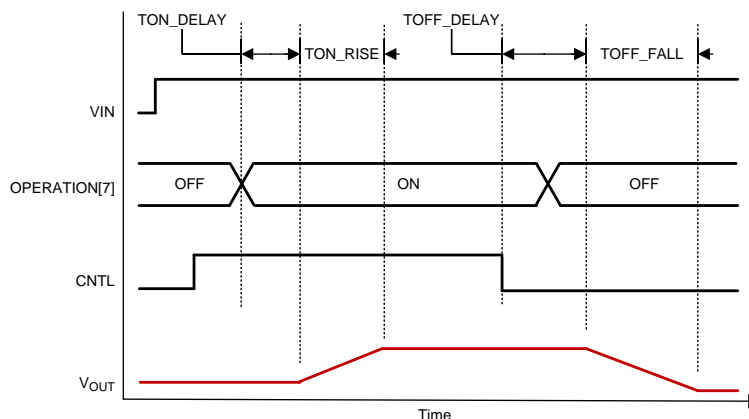
The TPSM846C23 device provides flexible user adjustment of the undervoltage lockout (UVLO) threshold and hysteresis. The minimum  $V_{IN}$  voltage required for power conversion is set by the stored [VIN\\_ON \(35h\)](#) value. The factory default value is 4.5 V. The turnon value can be set from 4.25 V to 7.75 V in 250-mV steps. The turnoff threshold voltage is stored in the [VIN\\_OFF \(36h\)](#) value. The factory default is 4 V. The value can be set from 4 V to 7.5 V in 250-mV steps. For more information, see [表 2](#).

### 7.3.11 Turnon and Turnoff Delay and Sequencing

The TPSM846C23 device provides many sequencing options. Using the [ON\\_OFF\\_CONFIG](#) command, the device can be configured to start up whenever the input voltage is above the UVLO threshold, to require an additional signal on the CNTL pin, to receive an update to the [OPERATION](#) command through the PMBus interface, or a combination of these configurations. When the gating signal as specified by the [ON\\_OFF\\_CONFIG](#) command is asserted, a programmable turnon delay can be set with the [TON\\_DELAY](#) command to delay the start of power conversion. Similarly, a programmable turnoff delay can be set with the [TOFF\\_DELAY](#) command to delay the stop of power delivery once the gating signal is deasserted. Delay times are specified in milliseconds (ms), from 0 to 100 ms.

The TPSM846C23, as supplied by the factory, is programmed for zero [TOFF\\_DELAY](#) and 3-ms [TOFF\\_FALL](#) parameters. The power stage discharges the output capacitors when CNTL is de-asserted or under a fault condition. Note that the power stage sinks current as it ramps the output voltage to zero. Once the output voltage is ramped to approximately 200 mV, the power stage will tri-state. This default behavior is set by the [ON\\_OFF\\_CONFIG](#) command register. The user can set the cpa bit if a controlled soft-stop discharge of the output capacitors is not desired. If this bit is set, the power stage is immediately tri-stated when CNTL is de-asserted or when a fault occurs. The load on the regulator output provides the only means of discharging the output capacitors.

[图 16](#) shows control of the start-up and shutdown operations of the device when the device is configured to respond to both the CNTL signal and the [OPERATION](#) command. The device can also be configured to independently use either the CNTL signal or the [OPERATION](#) command or to convert power when a sufficient input voltage is available.



**图 16. Turnon Controlled by Both Operation<sup>(1)</sup> and Control<sup>(1)</sup>**

(1) Bit 7 of OPERATION is used to control power conversion.

### 7.3.12 Soft-Start Time and TON\_RISE Command

To control the inrush current required to charge the output capacitor bank during start up, the TPSM846C23 device implements a soft-start time. When the device is enabled, the feedback reference voltage,  $V_{REF}$ , ramps from 0 V to the final level at a slew rate defined by the **TON\_RISE** command. The specified rise times are defined by the slew rate required to ramp the reference voltage from 0 V to the final value at each given rise time.

The TPSM846C23 devices support several soft-start times from 1 ms to 100 ms, which are selected by the **TON\_RISE** command.

### 7.3.13 Soft-Stop Time and TOFF\_FALL Command

The TPSM846C23 device implements the **TOFF\_FALL** command to define the time for the output voltage to drop from regulation to 0 as shown in [Figure 16](#). Negative current in the TPSM846C23 device can occur during the **TOFF\_FALL** time to discharge the output voltage. The setting of the **TOFF\_FALL** command to 0 ms causes the TPSM846C23 to bring the output voltage down to 0 as quickly as possible, which results in an effective **TOFF\_FALL** time of 1 ms (fastest time supported). The time is factory-set to 3 ms. This feature can be disabled in the **ON\_OFF\_CONFIG** command for the turnoff controlled by the CNTL pin or bit 6 of the **OPERATION** register if the regulator is turned off by the **OPERATION** command. If the regulator is turned off by the **OPERATION** command, both the high-side and low-side FET drivers are turned off immediately, and the output voltage is discharged only by the load.

### 7.3.14 Prebiased Output Start-Up

The TPSM846C23 device prevents current from being discharged from the output during start-up when a prebiased output condition exists. If the output is prebiased, no PH pulses occur until the internal soft-start voltage rises above the error-amplifier input voltage (FB pin). As soon as the soft-start voltage exceeds the error-amplifier input, and PH pulses start. The device limits synchronous rectification after each PH pulse with a narrow on-time. The on-time of the low-side MOSFET slowly increases on a cycle-by-cycle basis until 128 pulses have been generated and the synchronous rectifier runs fully complementary to the high-side MOSFET. This approach prevents the sinking of current from a prebiased output and ensures the output-voltage start-up and ramp-to-regulation sequences are smooth and monotonic.

If the prebias voltage is close to, or exceeds, the  $V_{OUT}$  setpoint voltage, the mandatory 128 switching cycles, as previously described, may induce a non-monotonic dip in the output voltage. The output voltage quickly recovers to the setpoint value once the 128 cycle interval is completed.

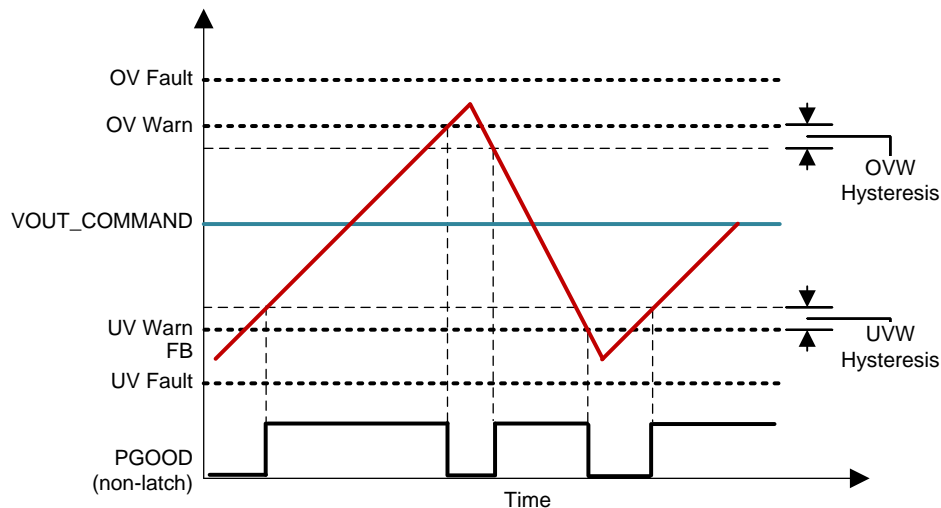
The output overvoltage warn is tripped when the FB pin is prebiased to higher than 5% above the regulation level. These devices respond to a prebiased output overvoltage condition immediately upon  $V_{IN}$  powered up and when the BP6 regulator voltage is above the BP6 UVLO of 3.73 V (typical).

### 7.3.15 Power Good (PGOOD) Indicator

PGOOD is an open-drain digital active-high output signal that indicates if the output voltage is within regulation limits. A pullup resistor value between 10 k $\Omega$  and 100 k $\Omega$  to a voltage source of 5.5 V or less is required. The PGOOD window is defined by OV warning limit and UV warning limit in [PCT\\_OV\\_UV\\_WRN\\_FLT\\_LIMITS \(MFR\\_SPECIFIC\\_07\) \(D7h\)](#), which can be programmed through the PMBus interface, as shown in [图 17](#). The PGOOD pin pulls low upon any fault condition by default. See [表 7](#) for the possible sources to pull down the PGOOD pin.

The PGOOD signal can be connected to the CNTL pin of another device to provide additional controlled turnon and turnoff sequencing.

The OVW or PGOOD signal trips when the FB pin is prebiased to higher than 5% above the regulation level. This level of prebias is unusual, and it is beneficial to flag a warning in this situation.



**图 17. PGOOD Threshold and Hysteresis**

**注**

The presence of a pullup voltage at the PGOOD pin high before the TPSM846C23 device receives input power causes the PGOOD pin to be pulled above a logic-low-voltage level due to the limited pulldown capability in an un-powered condition. If this is not desired, increase the pullup resistance or reduce the external pullup-supply voltage.

### 7.3.16 Linear Regulators BP3 and BP6

The TPSM846C23 device has two onboard linear regulators to provide suitable power for the internal circuitry of the device. Bypass the BP3 and BP6 pins externally for the converter to function properly. The BP3 pin requires a minimum of 2.2  $\mu\text{F}$  of capacitance connected to BP\_RTN. The BP6 pin requires a minimum 4.7 $\mu\text{F}$  of capacitance connected to BP6\_RTN.

The use of the internal regulators to power other circuits is not recommended because the loads placed on the regulators might adversely affect operation of the controller.

**注**

Place bypass capacitors as close as possible to the device pins, with a minimum return loop back to ground and the return loop should be kept away from fast switching voltage and main current path. For more information, see the [Layout](#) section. Poor bypassing can degrade the performance of the regulator.



### 7.3.17 VREF\_TRIM

The nominal output voltage of the converter can also be adjusted by changing the feedback voltage,  $V_{FB}$ , using the **VREF\_TRIM** command. The adjustment range is from  $-64 \times 1.953$  mV to  $+63 \times 1.953$  mV from the nominal FB voltage. This command adjusts the final output voltage of the converter to a high degree of accuracy without relying on high-precision feedback resistors. The resolution of the adjustment is approximately 1.953 mV. The trim value can be stored to nonvolatile memory using the **STORE\_DEFAULT\_ALL** command.

### 7.3.18 MARGIN

The TPSM846C23 device also allows simple testing of the output-voltage margin, by applying either a positive or negative offset to the feedback voltage. The **STEP\_VREF\_MARGIN\_HIGH (MFR\_SPECIFIC\_05) (D5h)** and **STEP\_VREF\_MARGIN\_LOW (MFR\_SPECIFIC\_06) (D6h)** commands control the size of the applied high offset or low offset (respectively). The adjustment range is from  $-64 \times 1.953$  mV to  $31 \times 1.953$  mV from the nominal feedback voltage. The **OPERATION** command toggles the converter between the following three states:

- Margin none (no output margining)
- Margin high
- Margin low

Use [公式 4](#) to calculate the resulted internal-reference voltage.

$$EA\_REF = [(VOUT\_COMMAND \times VOUT\_SCALE\_LOOP) + (VREF\_TRIM + STEP\_VREF\_MARGIN\_HIGH \times OPERATION[5] + STEP\_VREF\_MARGIN\_LOW \times OPERATION[4])] \times 1.953 \text{ mV} \quad (4)$$

The total adjustable range of the output voltage, including **VOUT\_COMMAND**, **MARGIN**, and **VREF\_TRIM**, is limited by the internal reference DAC range of 0.35 V – 1.65 V. For more information on the implementation, see the [Supported PMBus Commands](#) section.

---

#### 注

- The **VOUT\_SCALE\_LOOP** is limited to only 2 possible options: 1 (default, no bottom resistor required for the divider), or 0.5 ( $R_{SET} = 10 \text{ k}\Omega$ ).
  - When **VOUT\_SCALE\_LOOP** is set to 1 (default), no bottom  $R_{SET}$  resistor is required. The reference voltage is equal to the output voltage, which allows tighter system DC accuracy by removing the resistor divider tolerance.
  - If the divider ratio,  $R_{SET} / (R_{SET} + R1)$ , does not match the programmed **VOUT\_SCALE\_LOOP**, the user should be aware that the actual output voltage determined by [公式 2](#) and [公式 4](#) may not match the programmed **VOUT\_COMMAND**.
-

### 7.3.19 Parallel Application

Two TPSM846C23 devices can be paralleled for increased output current up to 70 A. Multiple connections must be made between the paralleled devices and the component selection is slightly different than for a stand-alone TPSM846C23 device. 图 18 shows a typical schematic for two TPSM846C23 devices in parallel. Parallel operation can be evaluated using the TPSM846C23DEVM-807 evaluation board.

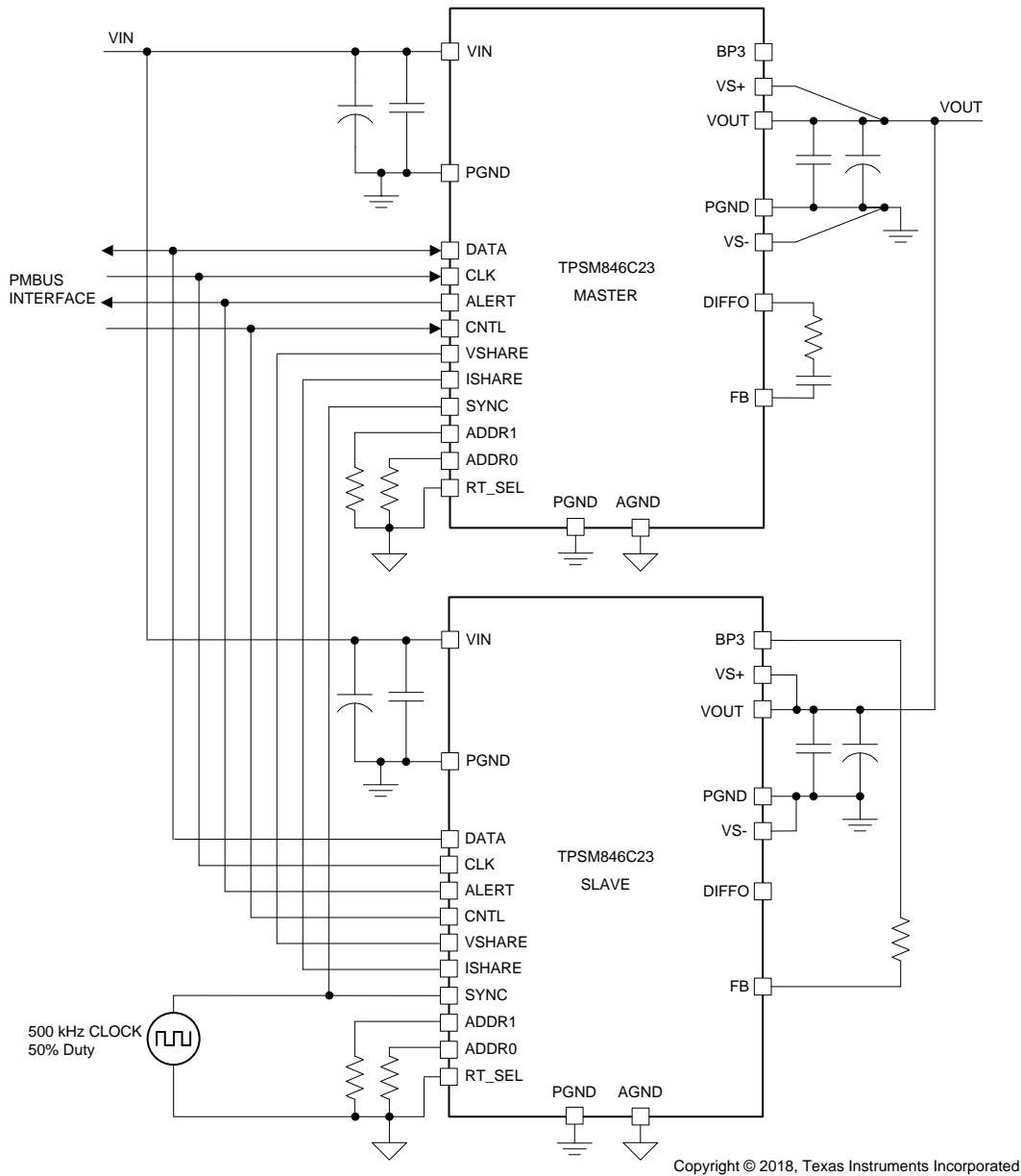


图 18. TPSM846C23 Parallel

### 7.3.20 Parallel Operation

To operate two TPSM846C23 devices in parallel, one of the devices must act as the master and the other act as a slave. To configure one of the devices as the slave device, connect a 1-k $\Omega$  resistor between the device FB pin and BP3 pin. Additionally, the SYNC, VSHARE, and ISHARE pins of both devices must be connected as shown in [Figure 18](#). Both devices share the same VSHARE voltage. Essentially, the internal COMP voltage is shared between the two devices by connecting the VSHARE pin of each device together. By connecting the ISHARE pin of each device, the sensed current in each phase is compared, then the error current is added into the internal COMP. The resulting voltage is compared with the PWM ramp to generate the PWM pulse. This current sharing loop maintains the current balance between devices.

In addition to sharing the same internal COMP voltage, the VSHARE pin is also used for fault communication between the loop master and slave devices. The VSHARE pin voltage is pulled low if any device encounters any fault conditions so that the other device sharing VSHARE pin is alerted and stops switching accordingly.

The master and slave devices must be set to two different PMBus addresses. The telemetry data from the master and slave devices must be retrieved separately.

When configured for parallel operation, the SYNC pins of the master and the slave must be supplied with a 50% duty cycle clock signal at the desired switching frequency. The master device locks to the rising edge of the clock; the slave locks to the falling edge. The 50% duty cycle requirement insures the modules operate 180° out of phase to minimize ripple. Both the master and slave module must have an R<sub>RT</sub> resistor present whose value sets a switching frequency within  $\pm 20\%$  of the SYNC clock frequency.

An optional high-frequency capacitor can be added between the VSHARE pin and ground in noisy systems, but the capacitance must not exceed 10 pF.

If operating conditions result in an on-time pulse width of  $\leq 150$  ns, jitter may be observed on the master and slave PH pins. The addition of a 10-k $\Omega$  resistor in series with the ISHARE connection between the devices helps to reduce, but may not eliminate the jitter.

To evaluate the TPSM846C23 in parallel configuration, an [evaluation board](#) is available. Also refer to the [Operating TPSM846C23 in Parallel](#) user's guide for operation instructions and layout recommendations.

### 7.3.21 Telemetry

#### 7.3.21.1 Output Current Telemetry

The TPSM846C23 device senses the average output current using an internal sense FET. A sense FET conducts a scaled-down version of the power-stage current. Sampling this current in the middle of the low-side drive signal determines the average output current. This architecture achieves excellent current monitoring and better overcurrent threshold accuracy than the current sensing of a DC-resistance (DCR) inductor with minimal temperature variation and no dependence on power loss in a higher DCR inductor. Use the [IOUT\\_CAL\\_OFFSET](#) command to improve current sensing and overcurrent accuracy by removing systematic errors related to board layout after assembly. The device continually digitizes the sensed output current, and averages it to reduce measurement noise. The device then places the current value in the read-only register, [READ\\_IOUT](#), which enables output-current telemetry.

This device cannot report negative (sinking) current. Any negative current is reported as zero amps.

#### 7.3.21.2 Output Voltage Telemetry

The output voltage is sensed at the remote sense amplifier output pin, and the device continually digitizes the sensed output voltage, and averages it to reduce measurement noise. The device then stores the average value in the read-only register, [READ\\_VOUT](#), which enables output voltage telemetry. Refer to [OPTIONS \(MFR\\_SPECIFIC\\_21\)](#) for details of programming output voltage telemetry signal range, averaging and update rate.

#### 7.3.21.3 Junction Temperature Telemetry

The TPSM846C23 device also provides temperature telemetry and programmable internal overtemperature fault or warning thresholds using measurements from an internal temperature sensor. The temperature-sensor circuit applies two bias currents to an internal diode-connected NPN transistor and measures  $\Delta V_{BE}$  to infer the junction temperature of the sensor. The device then digitizes the result and compares it to the user-configured overtemperature fault and warning thresholds. When an internal overtemperature fault (OTF) is detected, power

conversion stops until the sensed temperature decreases by 20°C. The [READ\\_TEMPERATURE\\_1 \(8Dh\)](#) register is continually updated with the digitized temperature measurement, enabling temperature telemetry. The [OT\\_FAULT\\_LIMIT \(4Fh\)](#) and [OT\\_WARN\\_LIMIT \(51h\)](#) commands set the overtemperature fault and warning thresholds through the PMBus interface. When an overtemperature event is detected, the device sets the appropriate flags in [STATUS\\_TEMPERATURE \(7Dh\)](#) command and triggers the SMBALERT signal if it is not masked.

### 7.3.22 Overtemperature Protection

An internal temperature sensor based off the bandgap reference protects the TPSM846C23 device from thermal runaway. The internal thermal shutdown threshold,  $T_{SD}$ , is fixed at 145°C (typical), which is different from the user programmable [OT\\_FAULT\\_LIMIT](#). When the device senses a temperature above  $T_{SD}$ , an `otf_bg` bit in the [STATUS\\_MFR\\_SPECIFIC](#) command is flagged, and power conversion stops until the sensed junction temperature decreases by the amount of the thermal shutdown hysteresis,  $T_{HYST}$  (20°C typical). The SMBALERT signal is triggered if the signal is not masked.

The device response to an [OT\\_FAULT\\_LIMIT](#) event can be set to Latch-off, Restart and Ignore in [OT\\_FAULT\\_RESPONSE](#). The default response to an over temperature fault is to shut down and then restart. Fixed band gap-detected overtemperature (OT) faults are never ignored. The band gap OT faults always respond in a shutdown and attempted restart once the device cools. [表 7](#) summarizes the fault-response scheme.

### 7.3.23 Overcurrent Protection

Both low-side overcurrent and high-side short-circuit protection are implemented. The low-side overcurrent fault and warning thresholds are programmed via PMBus. The low-side MOSFET average current is compared to the set fault threshold. High-side pulses are terminated on a cycle-by-cycle basis whenever the current through the high-side MOSFET exceeds the fixed short circuit threshold.

When either a low-side overcurrent or high-side short-circuit threshold is exceeded in a switching cycle, a counter is incremented. If no overcurrent condition is detected in a switching cycle, the counter is decremented. When the counter counts to three, an overcurrent fault condition is declared, and the output shuts down and restarts after  $7 \times TON\_RISE$  time or is latched off until re-enabled, or ignored depending on the fault response setting. The behavior of the power stage during the various fault scenarios is shown in [表 7](#).

### 7.3.24 Output Overvoltage and Undervoltage Protection

The TPSM846C23 device includes both output overvoltage protection and output undervoltage protection capability by comparing the FB pin voltage to internal selectable pre-set voltages, as defined by the [PCT\\_OV\\_UV\\_WRN\\_FLT\\_LIMITS \(MFR\\_SPECIFIC\\_07\) \(D7h\)](#) command.

If the FB pin voltage rises above the output overvoltage-protection threshold, the device terminates normal switching and turns on the low-side MOSFET to discharge the output capacitor and prevent further increases in the output voltage. The device also declares an OV fault, flagging the appropriate status registers, triggering SMBALERT if it is not masked. Then the device enters continuous-restart-hiccup mode or latches off according to the [VOUT\\_OV\\_FAULT\\_RESPONSE](#) command. The TPSM846C23 device responds to the output overvoltage condition immediately upon VIN power up and BP6 regulator voltage above its own UVLO of 3.73 V (typical). The [VOUT\\_OV\\_FAULT\\_RESPONSE](#) can also be set to ignore the output overvoltage fault and continue without interruption. Under this configuration, the control loop continues to respond and adjust PWM duty cycle to keep output voltage within regulation.

If the FB pin voltage falls below the undervoltage protection level after soft start has completed, the device terminates normal switching and forces both the high-side and low-side MOSFETs off and awaits an external reset or begins a hiccup time-out delay prior to restart, depending on the value of the [VOUT\\_UV\\_FAULT\\_RESPONSE](#) command. The device also declares a UV fault by flagging the appropriate status registers and triggering SMBALERT if it is not masked. The [VOUT\\_UV\\_FAULT\\_RESPONSE](#) can also be set to ignore the output undervoltage fault and continue without interruption for debug purpose.

[表 7](#) summarizes the fault-response scheme.

### 7.3.25 Fault Protection Responses

表 7 summarizes the various fault protections and associated responses.

注

When configured as parallel operation, the best practice is to have the fault response of the loop master and slave device set as the same to avoid unexpected behavior.

表 7. Fault Protection Summary

FAULT or WARN	PROGRAMMING	FAULT RESPONSE SETTING	FET BEHAVIOR	ACTIVE DURING TON_RISE	SOURCE OF SMBALERT	SMBALERT MASKABLE	PGOOD
Internal Overtemperature Fault	OT_FAULT_LIMIT (4Fh)	Latch-off	Both FETs off	Yes	Yes	Yes	Low
		Restart	Both FETs off, then restart after cooling down <sup>(1)</sup>				Low
		Ignore	FETs still controlled by PWM				High
Internal Overtemperature Warn	OT_WARN_LIMIT (51h)	Latch-off or restart on fault	PWM maintains control of FETs	Yes	Yes	Yes	Low
		Ignore fault					High
Bandgap Overtemperature Fault	Threshold fixed internally	Latch-off	Both FETs off	Yes	Yes	Yes	Low
		Restart	Both FETs off, then restart after cooling down <sup>(1)</sup>				Low
		Ignore	Both FETs off, then restart after cooling down <sup>(2)</sup>				Low
Low-Side OC Fault	IOUT_OC_FAULT_LIMIT (46h)	Latch-off	3 PWM counts, then both FETs off	Yes	Yes	Yes	Low
		Restart	3 PWM counts, then both FETs off, restart after 7× TON_RISE				Low
		Ignore	FETs still controlled by PWM				High
Low-Side OC Warn	IOUT_OC_WARN_LIMIT	Latch-off or Restart on Fault	PWM maintains control of FETs	Yes	Yes	Yes	Low
		Ignore Fault					High
High-Side OC Fault		Latch-off	3 PWM counts, then both FETs off	Yes	Yes	Yes	Low
		Restart	3 PWM counts, then both FETs off, restart after 7 × TON_RISE				Low
		Ignore	Cycle-by-cycle peak current limit				High
V <sub>OUT</sub> OV Fault	PCT_OV_UV_WRN_FLT_LIMITS (MFR_SPECIFIC_07) (D7h)	Latch-off	High-side FET OFF, low-side FET response configured by OV_RESP_SEL Bit: latch ON or turn on till FB drops below 0.2 V	Yes	Yes	Yes	Low
		Restart	High-side FET OFF, low-side FET response configured by OV_RESP_SEL Bit: latch ON or turn on till FB drops below 0.2 V. Then restart after 7 × TON_RISE				
		Ignore	PWM maintains control of FETs				

(1) When the overtemperature fault is tripped, the device shuts off both FETs and restarts until the sensed temperature decreases 20°C from the tripping threshold.

(2) The bandgap-overtemperature fault cannot be ignored, the device shuts off both FETs and restarts after the internal die temperature drops below the threshold.

**表 7. Fault Protection Summary (接下页)**

FAULT or WARN	PROGRAMMING	FAULT RESPONSE SETTING	FET BEHAVIOR	ACTIVE DURING TON_RISE	SOURCE OF SMBALERT	SMBALERT MASKABLE	PGOOD
<b>V<sub>OUT</sub> OV Warn</b>	PCT_OV_UV_WRN_FLT_LIMITS (MFR_SPECIFIC_07) (D7h)	Latch-off or restart on fault	PWM maintains control of FETs	Yes	Yes	Yes	Low
		Ignore Fault					
<b>V<sub>OUT</sub> UV Fault</b>	PCT_OV_UV_WRN_FLT_LIMITS (MFR_SPECIFIC_07) (D7h)	Latch-off	Both FETs off	No	Yes	Yes	Low
		Restart	Both FETs off, then restart after 7 × TON_RISE				
		Ignore	PWM maintains control of FETs				
<b>V<sub>OUT</sub> UV Warn</b>	PCT_OV_UV_WRN_FLT_LIMITS (MFR_SPECIFIC_07) (D7h)	Latch-off or restart on fault	PWM maintains control of FETs	No	Yes	Yes	Low
		Ignore fault					
<b>T<sub>ON</sub> Max Fault</b>	TON_MAX_FAULT_LIMIT	Latch-off	Both FETs off	No	Yes	Yes	Low
		Restart	Both FETs off, then restart after 7 × TON_RISE				
		Ignore	PWM maintains control of FETs				
<b>VIN UVLO</b>	VIN_ON, VIN_OFF	Shutdown	Both FETs off	Yes	Yes	Yes	Low

## 7.4 Device Functional Modes

### 7.4.1 Continuous Conduction Mode

The TPSM846C23 device operates in continuous conduction mode (CCM) at a fixed frequency, regardless of the output current. For the first 128 switching cycles, the low-side MOSFET on-time is slowly increased to prevent excessive current sinking in the event the device is started with a prebiased output. Following the first 128 clock cycles, the low-side MOSFET and the high-side MOSFET on-times are fully complementary.

### 7.4.2 Operation With CNTL Signal Control

According to the value in the [ON\\_OFF\\_CONFIG](#) register, the TPSM846C23 device can be commanded to use the CNTL pin to enable or disable regulation, regardless of the state of the [OPERATION](#) command. The CNTL pin can be configured as either active high or active low (inverted) logic. The TPSM846C23 is factory-programmed to use the CNTL pin only using active high logic.

### 7.4.3 Operation With OPERATION Control

According to the value in the [ON\\_OFF\\_CONFIG](#) register, the TPSM846C23 device can be commanded to use the [OPERATION](#) command to enable or disable regulation, regardless of the state of the CNTL signal.

### 7.4.4 Operation With CNTL and OPERATION Control

According to the value in the [ON\\_OFF\\_CONFIG](#) register, the TPSM846C23 device can be commanded to require both a signal on the CNTL pin, and the [OPERATION](#) command to enable or disable regulation.

## 7.5 Register Maps

This family of devices supports the following commands from the PMBus 1.3 specification.

**Table 8. Legend for Register Access Type**

Access Type	Code	Description
<b>Read Type</b>		
R	r	Read
<b>Write Type</b>		
W	w	Write
<b>Other</b>		
superscript E r/w <sup>E</sup>	E	Bit is backed up with nonvolatile EEPROM

### 7.5.1 OPERATION (01h)

The OPERATION command turns the device output on or off in conjunction with input from the CNTL signal. It is also used to set the output voltage to the upper or lower margin voltages. The unit stays in the commanded operating mode until a subsequent [OPERATION](#) command or a change in the state of the CNTL pin instructs the device to change to another mode.

For PWM loop slave device, which is recognized during power-up calibration, this command cannot be accessed. Any writes to this command will be ignored. An attempt to read or write this command will result in a NACK'd command, the reporting of an IVC fault, and triggering of SMB\_ALERT.

COMMAND	OPERATION							
Format	Unsigned binary							
Bit Position	7	6	5	4	3	2	1	0
Access	r/w	r/w	r/w	r/w	r/w	r/w	r	r
Function	ON	OFF	MARGIN				X	X
Default Value	0	0	0	0	0	0	X	X

### 7.5.1.1 On Bit

This bit is an enable command to the converter.

- 0: output switching is disabled. Both drivers placed in an off or low state.
- 1: output switching is enabled if the input voltage is above undervoltage lockout, OPERATION is configured as a gating signal in [ON\\_OFF\\_CONFIG](#), and no fault conditions exist.

### 7.5.1.2 Off Bit

This bit sets the turnoff behavior when commanding the unit to turn off through OPERATION[7] ( the *On* bit).

- 0: Immediately turn off the output (not honoring the programmed turnoff delay (TOFF\_DELAY) and ramp down (TOFF\_FALL)) when commanded off through OPERATION[7] ( the *On* bit).
- 1: Use the programmed turnoff delay (TOFF\_DELAY) and ramp down (TOFF\_FALL) when commanded off through OPERATION[7] (also called *soft off*).

---

#### NOTE

The device ignores any values written to read-only bits. Additionally, both the on and off bits being set at the same time is not allowed and considered invalid data per section 12.1 of the PMBus Specification Part II; any attempt to do so causes the device to set the [cml](#) bit in the [STATUS\\_BYTE](#) and the [ivd](#) bit in the [STATUS\\_CML](#) registers, and triggers [SMBALERT](#) signal.

---

### 7.5.1.3 Margin Bit

If Margin Low is enabled, load the value from the STEP\_VREF\_MARGIN\_LOW command. If Margin High is enabled, load the value from the STEP\_VREF\_MARGIN\_HIGH command.

- 0001: Margin Off. Output voltage source is VOUT\_COMMAND. OV and UV faults are ignored.
- 0000, 0010, 0011: Margin Off. Output voltage source is VOUT\_COMMAND. OV/UV faults behave normally as programmed in their respective fault response registers.
- 0101: Margin Low (Ignore Fault). Output voltage defined directly below.
- 0110: Margin Low (Act On Fault). Output voltage defined directly below.
- 1001: Margin High (Ignore Fault). Output voltage defined directly below.
- 1010: Margin High (Act On Fault). Output voltage defined directly below.
- 11XX, 0100, 0111, 1000, 1011: Shall be invalid and shall declare an Invalid Data Fault (Part II Rev 1.3 Section 10.9.3, Page 52)

VOUT\_MARGIN\_LOW data shall be equal to:

$$VOUT\_COMMAND + (VREF\_TRIM - STEP\_VREF\_MARGIN\_LOW) / VOUT\_SCALE\_LOOP$$

VOUT\_MARGIN\_HIGH data shall be equal to:

$$VOUT\_COMMAND + (VREF\_TRIM + STEP\_VREF\_MARGIN\_HIGH) / VOUT\_SCALE\_LOOP$$

For the Margin Low, Ignore Fault configuration (essentially [5:2] = 4'b0101), any incoming UV faults shall trigger the normal UVF status, and trigger [SMB\\_ALERT](#) (albeit the state machine response will be to ignore and not respond). If the desired response is to have the device to not trigger [SMB\\_ALERT](#) for UVF events when margining, they must set the UVF [SMBALERT\\_MASK](#) bit. For the Margin High, Ignore Fault configuration (essentially [5:2] = 4'b1001), any incoming OV faults shall trigger the normal OVF status, and trigger [SMB\\_ALERT](#) (albeit the state machine response will be to ignore and not respond). If the desired response is to have the device to not trigger [SMB\\_ALERT](#) for UVF events when margining, they must set the UVF [SMBALERT\\_MASK](#) bit. OVF and UVF can also be ignored when VOUT\_COMMAND is the VOUT source by programming [5:2] to a value of 4'b0001. OVF and UVF events will still set status and trigger [SMB\\_ALERT](#).

## 7.5.2 ON\_OFF\_CONFIG (02h)

The ON\_OFF\_CONFIG command configures the combination of CNTL pin input and serial bus commands needed to turn the unit on and off. The contents of this register can be stored to nonvolatile memory using the [STORE\\_DEFAULT\\_ALL \(11h\)](#) command. The default value in ON\_OFF\_CONFIG register is to have the device power up by CNTL pin only with the active high polarity and use the programmed turnoff delay (TOFF\_DELAY) and ramp down (TOFF\_FALL) for powering off the converter.



For PWM loop slave device, this command cannot be accessed. Any writes to this command will be ignored. An attempt to read or write this command will result in a NACK'd command, the reporting of an IVC fault, and triggering of SMB\_ALERT.

COMMAND	ON_OFF_CONFIG							
Format	Unsigned binary							
Bit Position	7	6	5	4	3	2	1	0
Access	r	r	r	r/w <sup>E</sup>	r/w <sup>E</sup>	r/w <sup>E</sup>	r/w <sup>E</sup>	r/w <sup>E</sup>
Function	X	X	X	pu	cmd	cpr	pol	cpa
Default Value	X	X	X	1	0	1	1	0

### 7.5.2.1 pu Bit

The pu bit sets the default to either operate any time power is present or for power conversion to be controlled by CNTL pin and PMBus OPERATION command. This bit is used in conjunction with the cpr, cmd, and on bits to determine start up.

BIT VALUE	ACTION
0	Device powers up any time power is present regardless of state of the CNTL pin.
1	Device does not power up until commanded by the CNTL pin and/or OPERATION command as programmed in bits [3:0] of the ON_OFF_CONFIG register.

### 7.5.2.2 cmd Bit

The cmd bit controls how the device responds to the OPERATION command. This bit is used in conjunction with the cpr, pu, and on bits to determine start up.

BIT VALUE	ACTION
0	Device ignores the "on" bit in the OPERATION command.
1	Device responds to the "on" bit in the OPERATION command.

### 7.5.2.3 cpr Bit

The cpr bit sets the CNTL pin response. This bit is used in conjunction with the cmd, pu, and on bits to determine start up.

BIT VALUE	ACTION
0	Device ignores the CNTL pin. Power conversion is controlled only by the OPERATION command.
1	Device requires the CNTL pin to be asserted to start the unit.

### 7.5.2.4 pol Bit

The pol bit controls the polarity of the CNTL pin. For a change to become effective, the contents of the ON\_OFF\_CONFIG register must be stored to nonvolatile memory using the STORE\_DEFAULT\_ALL command and the device power cycled. Simply writing a new value to this bit does not change the polarity of the CNTL pin.

BIT VALUE	ACTION
0	CNTL pin is active low.
1	CNTL pin is active high.

### 7.5.2.5 cpa Bit

The cpa bit sets the CNTL pin action when turning the converter off.

BIT VALUE	ACTION
0	Use the programmed turnoff delay (TOFF_DELAY) and ramp down (TOFF_FALL).
1	Immediately turn off the output (not honoring the programmed turnoff delay (TOFF_DELAY) and ramp down (TOFF_FALL)).

### 7.5.3 CLEAR\_FAULTS (03h)

The CLEAR\_FAULTS command is used to clear any fault bits that have been set. This command clears all bits in all status registers simultaneously. At the same time, the device negates (clears, releases) its SMBALERT signal output if the device is asserting the SMBALERT signal. The CLEAR\_FAULTS command does not cause a unit that has latched off for a fault condition to restart. If the fault is still present when the bit is cleared, the fault bit is immediately reset and the host notified by the usual means.

#### NOTE

- To get a reliable clear fault result, the clear\_fault command should be issued (8 × TON\_RISE + TON\_DELAY) after the switcher shuts down.
- In the case of OV fault with a *latch off* response, the LS FET latches on when the fault is detected. If the [OV\\_RESP\\_SEL Bit](#) in (F0h) MFR\_SPECIFIC\_32 is set to 1, then the LS FET releases when the FB pin voltage falls below 0.2 V. Otherwise, it remains on until the CLEAR\_FAULTS command is issued. The CLEAR\_FAULTS command causes the LS FET to turn off.
- CNTL pin toggling can also clear fault, but the logic low duration should be higher than 100 ns for the internal circuit to recognize.

### 7.5.4 WRITE\_PROTECT (10h)

The WRITE\_PROTECT command is used to control writing to the PMBus device. The intent of this command is to provide protection against accidental changes. This command is not intended to provide protection against deliberate or malicious changes to the device configuration or operation. All supported command parameters may have their parameters read, regardless of the WRITE\_PROTECT settings. Write protection also prevents protected registers from being updated in the event of a [RESTORE\\_DEFAULT\\_ALL](#). The contents of this register can be stored to nonvolatile memory using the [STORE\\_DEFAULT\\_ALL](#) command.

COMMAND	WRITE_PROTECT							
Format	Unsigned binary							
Bit Position	7	6	5	4	3	2	1	0
Access	r/w <sup>E</sup>	r/w <sup>E</sup>	r/w <sup>E</sup>	X	X	X	X	X
Function	bit7	bit6	bit5	X	X	X	X	X
Default Value	0	0	0	X	X	X	X	X

#### 7.5.4.1 bit5

BIT VALUE	ACTION
0	Enable all writes as permitted in bit6 or bit7
1	Disable all writes except the WRITE_PROTECT, OPERATION, ON_OFF_CONFIG, and VOUT_COMMAND. (bit6 and bit7 must be 0 to be valid data)

#### 7.5.4.2 bit6

BIT VALUE	ACTION
0	Enable all writes as permitted in bit5 or bit7
1	Disable all writes except for the WRITE_PROTECT, and OPERATION commands. (bit5 and bit7 must be 0 to be valid data)

#### 7.5.4.3 bit7

BIT VALUE	ACTION
0	Enable all writes as permitted in bit5 or bit6
1	Disable all writes except for the WRITE_PROTECT command. (bit5 and bit6 must be 0 to be valid data)

In any case, only one of the three bits may be set at any one time. Attempting to set more than one bit results in an alert being generated and the cml bit in **STATUS\_WORD** being set. An invalid setting of the WRITE\_PROTECT command results in no write protection.

Data Byte Value	ACTION
1000 0000	Disables all WRITES except to the WRITE_PROTECT command.
0100 0000	Disables all WRITES except to the WRITE_PROTECT, and OPERATION commands.
0010 0000	Disables all WRITES except to the WRITE_PROTECT, OPERATION, ON_OFF_CONFIG, and VOUT_COMMAND commands.

### 7.5.5 STORE\_DEFAULT\_ALL (11h)

The STORE\_DEFAULT\_ALL command stores all of the current storable register settings in the EEPROM memory as the new defaults on power up.

It is permissible to use this command while the device is switching. Note however that the device continues to switch but ignores all fault conditions until the internal store process has completed. Issuing STORE\_DEFAULT\_ALL also causes the device to be unresponsive through PMBus for a period of approximately 100 ms.

EEPROM programming faults cause the device to NACK and set the cml bit in the **STATUS\_BYTE** and the mem bit in the **STATUS\_CML** registers.

### 7.5.6 RESTORE\_DEFAULT\_ALL (12h)

The RESTORE\_DEFAULT\_ALL command restores all of the storable register settings from EEPROM memory to those registers which are unprotected according to current setting of WRITE\_PROTECT. Issuing RESTORE\_DEFAULT\_ALL also causes the device to be unresponsive through PMBus for a period of approximately 100 ms.

---

#### NOTE

Do not use this command while the device is actively switching, this causes the device to stop switching and the output voltage to fall during the restore event. Depending on loading conditions, the output voltage could reach an undervoltage level and trigger an undervoltage fault response if programmed to do so. The command can be used while the device is switching, but this usage is not recommended as it results in a restart that could disrupt power sequencing requirements in more complex systems. TI strongly recommends stopping the device before issuing this command.

---

### 7.5.7 STORE\_USER\_ALL (15h)

The STORE\_USER\_ALL command stores all of the current storable register settings in the EEPROM memory as the new defaults on power up.

It is permissible to use this command while the device is switching. Note however that the device continues to switch but ignores all fault conditions until the internal store process has completed. Issuing STORE\_USER\_ALL also causes the device to be unresponsive through PMBus for a period of approximately 100 ms.

EEPROM programming faults cause the device to NACK and set the cml bit in the **STATUS\_BYTE** and the mem bit in the **STATUS\_CML** registers.

This command is equivalent to STORE\_DEFAULT\_ALL.

### 7.5.8 RESTORE\_USER\_ALL (16h)

The RESTORE\_USER\_ALL command restores all of the storable register settings from EEPROM memory to those registers which are unprotected according to current setting of WRITE\_PROTECT. Issuing RESTORE\_USER\_ALL also causes the device to be unresponsive through PMBus for a period of approximately 100 ms.

This command is equivalent to RESTORE\_DEFAULT\_ALL.

### NOTE

Do not use this command while the device is actively switching, this causes the device to stop switching and the output voltage to fall during the restore event. Depending on loading conditions, the output voltage could reach an undervoltage level and trigger an undervoltage fault response if programmed to do so. The command can be used while the device is switching, but this usage is not recommended as it results in a restart that could disrupt power sequencing requirements in more complex systems. TI strongly recommends stopping the device before issuing this command.

### 7.5.9 CAPABILITY (19h)

The CAPABILITY command provides a way for a host system to determine some key capabilities of this PMBus device.

COMMAND	CAPABILITY							
Format	Unsigned binary							
Bit Position	7	6	5	4	3	2	1	0
Access	r	r	r	r	r	r	r	r
Function	PEC	SPD		ALRT	Reserved			
Default Value	1	0	1	1	0	0	0	0

The default values indicate that the device supports packet-error checking (PEC), a maximum bus speed of 400 kHz (SPD) and the SMBus alert-response protocol using SMBALERT.

### 7.5.10 SMBALERT\_MASK (1Bh)

The SMBALERT\_MASK command can be used to prevent a warning or fault condition from asserting the SMBALERT signal.

### NOTE

The command uses the SMBus Write Word command protocol to overlay a “mask byte” with an associated/designated status register. It uses the SMBus Block Write/Block Read protocol – with a block size = 1, to read the mask settings for any given status register. If the host in the Block\_Count field of the Block Write portion sends a block size unequal to 1 the device returns a NACK. The device always returns a Block Count of 1 upon reads of SMBALERT\_MASK.

The bits in the mask byte align with the bits in the corresponding status register. For example, if the STATUS\_TEMPERATURE command were sent with the mask byte 0100000b, then an Overtemperature Warning condition would be blocked from asserting SMBALERT. Please refer to the PMBus v1.3 specification - section 15.38 (SMBALERT\_MASK Command) and the SMBus specification Block Write/Block Read protocol for further details.

There are 19 maskable SMBALERT sources in the TPSM846C23. Each of these 19 status conditions has an associated EEPROM backed mask bit. These sources are represented and identified in the status register command descriptions by a particular status bit denoted as having EEPROM backup (for example a bit access of r/w<sup>E</sup>). Writes and reads to SMBALERT\_MASK command code accepts only the following as valid STATUS\_x command codes:

- [STATUS\\_WORD](#)
- [STATUS\\_VOUT](#)
- [STATUS\\_IOUT](#)
- [STATUS\\_INPUT](#)
- [STATUS\\_TEMPERATURE](#)
- [STATUS\\_CML](#)
- [STATUS\\_MFR\\_SPECIFIC](#)

Attempting to write a mask byte for any STATUS\_X command code other than this list causes the device to set the cml bit in the STATUS\_BYTE and the ivd bit in the STATUS\_CML registers, and triggers SMBALERT. Attempting to read a mask byte for any STATUS\_x command code other than this list returns 00h for the mask byte. Refer to these individual command descriptions for further details on their specific SMBALERT masking capabilities.

There is one unique status bit in the that warrants special clarification: PGOOD\_Z (STATUS\_WORD[10]) is maskable as an SMBALERT source through SMBALERT\_MASK commands to STATUS\_WORD. If the user wants to write, or read, the mask bit for PGOOD\_Z, the user must put 79h in the STATUS\_x COMMAND\_CODE field of the SMBALERT\_MASK command. PGOOD\_Z SMBALERT\_MASK bit default to 1.

### 7.5.11 VOUT\_MODE (20h)

The PMBus specification dictates that the data word for the VOUT\_MODE command is one byte that consists of a 3-bit mode and 5-bit exponent parameter, as shown below. The 3-bit mode sets whether the device uses the Linear or Direct modes for output voltage related commands. The 5-bit parameter sets the exponent value for the linear data mode. The mode and exponent parameters are fixed and do not permit the user to change the values.

For loop slave device, this command cannot be accessed. Any writes to this command will be ignored. An attempt to read or write this command will result in a NACK'd command, the reporting of an IVC fault, and triggering of SMB\_ALERT.

COMMAND	VOUT_MODE							
Bit Position	7	6	5	4	3	2	1	0
Access	r	r	r	r	r	r	r	r
Function	Mode			Exponent				
Default Value	0	0	0	1	0	1	1	1

#### 7.5.11.1 Mode Bit

Value fixed at 000, linear mode.

#### 7.5.11.2 Exponent Bit

Value fixed at 10111, Exponent for Linear mode values is –9 (equivalent to 1.953 mV/count).

### 7.5.12 VOUT\_COMMAND (21h)

The VOUT\_COMMAND command sets the output voltage in volts. The contents of this register can be stored to nonvolatile memory using the STORE\_DEFAULT\_ALL command. The exponent is set by VOUT\_MODE at –9 (equivalent of 1.953 mV/count). The programmed internal reference voltage is computed as:

$$EA\_REF = [(VOUT\_COMMAND \times VOUT\_SCALE\_LOOP) + (VREF\_TRIM + STEP\_VREF\_MARGIN\_HIGH \times OPERATION[5] + STEP\_VREF\_MARGIN\_LOW \times OPERATION[4])] \times 2^{-9} \text{ (V)} \quad (5)$$

For loop slave device, this command cannot be accessed. Any writes to this command will be ignored. An attempt to read or write this command will result in a NACK'd command, the reporting of an IVC fault, and triggering of SMB\_ALERT.

The range of valid VOUT\_COMMAND values is dependent upon the configured VOUT\_SCALE\_LOOP (29h) as follows:

VOUT_SCALE_LOOP	Vout Range (volts)	VOUT_COMMAND data valid range
1	0.35 to 1.65	179 to 845
0.5	0.7 to 2.0 <sup>(1)</sup>	358 to 1024

(1) The TPSM846C23 is designed to be operated with output voltages no higher than 2.0V.

Any VOUT\_COMMAND > 2816 (5.5-V maximum V<sub>OUT</sub> equivalent) is treated as *invalid data*:

- NACK the data byte
- Do not update VOUT\_COMMAND
- Set CML bit in [STATUS\\_BYTE](#)
- Set IVD bit in [STATUS\\_CML](#)

If the value programmed to VOUT\_COMMAND exceeds the value stored in either VOUT\_MIN or VOUT\_MAX. In this case, VOUT\_COMMAND will be set to the appropriate VOUT\_MIN or VOUT\_MAX value (which ever was violated). See the command descriptions for (28h) VOUT\_MIN or (24h) VOUT\_MAX for the specific status bits set in either case.

COMMAND	VOUT_COMMAND															
Format	Linear, unsigned binary															
Bit Position	7	6	5	4	3	2	1	0	7	6	5	4	3	2	1	0
Access	r	r	r	r	r/W <sup>E</sup>	r/W <sup>E</sup>	r/W <sup>E</sup>	r/W <sup>E</sup>	r/W <sup>E</sup>	r/W <sup>E</sup>	r/W <sup>E</sup>	r/W <sup>E</sup>	r/W <sup>E</sup>	r/W <sup>E</sup>	r/W <sup>E</sup>	r/W <sup>E</sup>
Function	Mantissa															
Default Value	0	0	0	0	0	0	0	1	0	0	0	0	0	0	0	0

### 7.5.12.1 Exponent

Value fixed at 10111, Exponent for Linear mode values is –9 (equivalent to 1.953 mV/count, specified in VOUT\_MODE command).

### 7.5.12.2 Mantissa

This is the Mantissa for the linear format. The default for this bit value is: 0000 0001 0000 0000 (binary) 256 (decimal) (equivalent Vout default = 0.5 V).

### 7.5.13 VOUT\_MAX (24h)

The VOUT\_MAX command sets the maximum output voltage. The purpose is to protect the devices on the output rail supplied by this device from a higher than acceptable output voltage. VOUT\_MAX imposes an upper bound to any attempt to program the output voltage to a VOUT\_EQUIV setting by changing any of the following registers:

- VOUT\_COMMAND
- VOUT\_MAX
- VOUT\_MIN
- OPERATION[5]
- OPERATION[4]
- VREF\_TRIM
- STEP\_VREF\_MARGIN\_HIGH
- STEP\_VREF\_MARGIN\_LOW
- VOUT\_SCALE\_LOOP

The exponent is set by VOUT\_MODE at –9 (equivalent to 1.953 mV/count). Use [Equation 6](#) to calculate the programmed output voltage.

$$\text{MAXIMUM } V_{\text{OUT}} \text{ allowed} = \text{VOUT\_MAX} \times \text{VOUT\_MODE (V)} = \text{VOUT\_MAX} \times 2^{-9} \text{ (V)} \quad (6)$$

The range of valid VOUT\_MAX values is dependent upon the configured (29h) VOUT\_SCALE\_LOOP as shown in [Equation 7](#).

$$\text{MAXIMUM VOUT Reference allowed} = \text{VOUT\_MAX} \times \text{VOUT\_SCALE\_LOOP} \times \text{VOUT\_MODE (V)} = \text{VOUT\_MAX} \times \text{VOUT\_SCALE\_LOOP} \times 2^{-9} \text{ (V)} \quad (7)$$

If the output voltage is turned on and any attempt is made to program any one of the following: (1) VOUT\_EQUIV to be greater than VOUT\_MAX; (2) VOUT\_MAX to be less than, or equal to, VOUT\_MIN, or; (3) VOUT\_MIN to be greater than, or equal to, VOUT\_MAX, – the TPSM846C23 will:

- Clamp the internal reference voltage to VOUT\_MAX × VOUT\_SCALE\_LOOP × VOUT\_MODE value. In the event VOUT\_MAX < VOUT\_MIN, VOUT\_MAX shall dominate.
- Sets the OTH (other) bit in the [STATUS\\_BYTE](#)

- Sets the VFW bit in the **STATUS\_WORD**
- Sets the VOUT\_MAX\_MIN\_Warning bit in the **STATUS\_VOUT** register
- Notifies the host through the **SMBALERT** pin

For loop slave device, this command cannot be accessed. Any writes to this command will be ignored. An attempt to read or write this command will result in a NACK'd command, the reporting of an IVC fault, and triggering of SMB\_ALERT.

COMMAND	VOUT_MAX															
Format	Linear, unsigned binary															
Bit Position	7	6	5	4	3	2	1	0	7	6	5	4	3	2	1	0
Access	r	r	r	r	r/w	r/w	r/w	r/w	r/w	r/w	r/w	r/w	r/w	r/w	r/w	r/w
Function	Mantissa															

### 7.5.13.1 Exponent

Value fixed at 10111, Exponent for Linear mode values is  $-9$  (equivalent of 1.95 mV/count, specified in VOUT\_MODE command).

### 7.5.13.2 Mantissa

The range of valid VOUT\_MAX values is dependent upon the configured (29h) VOUT\_SCALE\_LOOP as follows.

If VOUT\_SCALE\_LOOP = 1:

- default: 0000 0011 0100 1101 (binary) 845 (decimal) (equivalent VOUT\_MAX = 1.65 V)
- Minimum: 0000 0001 0001 1010 (binary) 282 (decimal) (equivalent VOUT\_MAX = 0.55 V)
- Maximum: 0000 0011 0100 1101 (binary) 845 (decimal) (equivalent VOUT\_MAX = 1.65 V)

If VOUT\_SCALE\_LOOP = 0.5:

- default: 0000 0110 1001 1010 (binary) 1690 (decimal) (equivalent VOUT\_MAX = 3.3 V)
- Minimum: 0000 0010 0011 0100 (binary) 564 (decimal) (equivalent VOUT\_MAX = 1.1 V)
- Maximum: 0000 0110 1001 1010 (binary) 1690 (decimal) (equivalent VOUT\_MAX = 3.3 V)

### 7.5.14 VOUT\_TRANSITION\_RATE (27h)

The VOUT\_TRANSITION\_RATE command sets the rate of change in mV/ $\mu$ s of any output voltage change during normal operation (also includes output voltage changes in TOFF\_DELAY state. In contrast, the soft-start transition rate is controlled by TON\_RISE and the TOFF\_FALL transition rate is controlled by TOFF\_FALL command).

For PWM loop slave device, this command cannot be accessed. Any writes to this command will be ignored. An attempt to read or write this command will result in a NACK'd command, the reporting of an IVC fault, and triggering of SMB\_ALERT.

Only 8 fixed output voltage transition rates are available in the device. As such, the range of programmed  $V_{OUT}$ -transition rates are sub-divided into 8 *buckets* that then selects one of the 8 fixed  $V_{OUT}$ -transition rates. Programmed values are rounded to the nearest *bucket/transition rate* as outlined below:

COMMAND	VOUT_TRANSITION_RATE																
Format	Linear, two's complement binary																
Bit Position	7	6	5	4	3	2	1	0	7	6	5	4	3	2	1	0	
Access	r	r	r	r	r	r	r	r	r	r/w	r/w	r/w	r/w	r/w	r/w	r/w	
Function	Exponent								Mantissa								
Default Value	1	1	0	1	0	0	0	0	0	0	0	1	1	1	1	0	0

### 7.5.14.1 Exponent

default: 11010 (binary) –6 (decimal) (0.015625)

These default settings are not programmable.

### 7.5.14.2 Mantissa

default: 000 0011 1100 (binary) 60 (decimal) (equivalent  $V_{OUT\_TRANSITION\_RATE} = 1 \text{ mV}/\mu\text{s}$ )

#### NOTE

Using  $V_{OUT\_TRANSITION\_RATE}$  to slew  $V_{ref}$  faster than the voltage loop can track is possible, but may result in a overshoot/undershoot on the output voltage.

VOUT_TRANSITION rate (mV/μs)	VOUT_TRANSITION Mantissa (d)	
	Greater than	Less than or equal to
0.067	—	5
0.1	5	7
0.143	7	12
0.222	12	17
0.333	17	25
0.5	25	47
1	47	79
1.5	79	—

### 7.5.15 VOUT\_SCALE\_LOOP (29h)

The  $V_{OUT\_SCALE\_LOOP}$  command is limited to only 2 possible options/ratios: 1 (default, no  $R_{SET}$  needed), 0.5 ( $R_{SET} = 10 \text{ k}\Omega$ ). Attempting to write a value unequal to one of these options cause the device to set the  $cml$  bit in the **STATUS\_BYTE**, and the  $ivd$  bit in the **STATUS\_CML** registers. Additionally,  $SMBALERT$  is asserted and the value of  $V_{OUT\_SCALE\_LOOP}$  remains unchanged. The contents of this register can be stored to nonvolatile memory using the **STORE\_DEFAULT\_ALL** command.

For loop slave device, this command cannot be accessed. Any writes to this command will be ignored. An attempt to read or write this command will result in a NACK'd command, the reporting of an IVC fault, and triggering of  $SMB\_ALERT$ .

#### NOTE

Construct the feedback resistor ratio appropriately (see 表 5). If the  $V_{OUT\_SCALE\_LOOP}$  does not match the external feedback resistor ratio, the converter will regulate the output with the reference voltage as outlined in 公式 2. Program the  $V_{OUT\_SCALE\_LOOP}$  setting before the output is turned on.

For the range checking to work properly and to avoid invalid data scenarios:

- $V_{OUT\_SCALE\_LOOP}$  should be changed first, if needed.
- $V_{OUT\_MIN}$  and  $V_{OUT\_MAX}$  should be changed after  $V_{OUT\_SCALE\_LOOP}$ , if needed.
- Additionally, it is assumed that  $V_{OUT\_SCALE\_LOOP}$  will be programmed before the output is turned on; but, the hardware will not do anything to prohibit changing  $V_{OUT\_SCALE\_LOOP}$  in any state.

COMMAND	VOUT_SCALE_LOOP																
Format	Linear, two's complement binary																
Bit Position	7	6	5	4	3	2	1	0	7	6	5	4	3	2	1	0	
Access	r	r	r	r	r	r	r	r	r	r	r	r	r	r/w <sup>E</sup>	r/w <sup>E</sup>	r/w <sup>E</sup>	
Function	Exponent								Mantissa								
Default Value	1	1	1	1	0	0	0	0	0	0	0	0	0	0	1	0	0



### 7.5.15.1 Exponent

default: 11110 (binary) –2 (decimal) (equivalent LSB = 0.25)

These default settings are not programmable.

### 7.5.15.2 Mantissa

default: 000 0000 0100 (binary) 4 (decimal) (equivalent VOUT\_SCALE\_LOOP voltage = 1)

For VOUT\_SCALE\_LOOP = 1, mantissa = 004h. ( $4 \times 2^{-2} = 1$ )

For VOUT\_SCALE\_LOOP = 0.5, mantissa = 002h. ( $2 \times 2^{-2} = 0.5$ )

### 7.5.16 VOUT\_MIN (2Bh)

The VOUT\_MIN command sets the minimum output voltage. The purpose is to protect the devices on the output rail supplied by this device from a lower than acceptable output voltage. VOUT\_MIN imposes a lower bound to any attempt to program the output voltage to a VOUT\_EQUIV setting by changing any of the following registers:

- VOUT\_COMMAND
- VOUT\_MAX
- VOUT\_MIN
- OPERATION[5]
- OPERATION[4]
- VREF\_TRIM
- STEP\_VREF\_MARGIN\_HIGH
- STEP\_VREF\_MARGIN\_LOW
- VOUT\_SCALE\_LOOP

The exponent is set by VOUT\_MODE at –9 (equivalent of 1.953 mV/count). Use [Equation 8](#) to calculate the programmed output voltage.

$$\text{MINIMUM VOUT allowed} = \text{VOUT\_MIN} \times \text{VOUT\_MODE (V)} = \text{VOUT\_MIN} \times 2^{-9} \text{ (V)} \quad (8)$$

The range of valid VOUT\_MIN values is dependent upon the configured (29h) VOUT\_SCALE\_LOOP as shown in [Equation 9](#).

$$\text{MINIMUM VOUT allowed} = \text{VOUT\_MIN} \times \text{VOUT\_SCALE\_LOOP} \times \text{VOUT\_MODE (V)} = \text{VOUT\_MIN} \times \text{VOUT\_SCALE\_LOOP} \times 2^{-9} \text{ (V)} \quad (9)$$

If, while the output voltage is turned on, any attempt is made to program: (1) VOUT\_EQUIV to be less than VOUT\_MIN, the device will:

- Clamp the internal reference voltage to VOUT\_MIN × VOUT\_SCALE\_LOOP × VOUT\_MODE value. In the event VOUT\_MAX < VOUT\_MIN, VOUT\_MAX shall dominate.
- Sets the OTH (other) bit in the [STATUS\\_BYTE](#)
- Sets the VFW bit in the [STATUS\\_WORD](#)
- Sets the VOUT\_MAX\_MIN\_Warning bit in the [STATUS\\_VOUT](#) register
- Notifies the host through the [SMBALERT](#) pin

For loop slave device, this command cannot be accessed. Any writes to this command will be ignored. An attempt to read or write this command will result in a NACK'd command, the reporting of an IVC fault, and triggering of SMB\_ALERT.

COMMAND	VOUT_MIN															
Format	Linear, unsigned binary															
Bit Position	7	6	5	4	3	2	1	0	7	6	5	4	3	2	1	0
Access	r	r	r	r	r/w	r/w	r/w	r/w	r/w	r/w	r/w	r/w	r/w	r/w	r/w	r/w
Function	Mantissa															

### 7.5.16.1 Exponent

Value fixed at 10111, Exponent for Linear mode values is –9 (equivalent of 1.95 mV/count, specified in VOUT\_MODE command).

### 7.5.16.2 Mantissa

The range of valid VOUT\_MIN values is dependent upon the configured (29h) VOUT\_SCALE\_LOOP as follows.

If VOUT\_SCALE\_LOOP = 1:

- default: 0000 0000 1011 0011 (binary) 179 (decimal) (equivalent VOUT\_MIN = 0.35 V)
- Minimum: 0000 0000 1011 0011 (binary) 179 (decimal) (equivalent VOUT\_MIN = 0.35 V)
- Maximum: 0000 0011 0000 0000 (binary) 768 (decimal) (equivalent VOUT\_MIN = 1.5 V)

If VOUT\_SCALE\_LOOP = 0.5:

- default: 0000 0001 0110 0110 (binary) 358 (decimal) (equivalent VOUT\_MIN = 0.7 V)
- Minimum: 0000 0001 0110 0110 (binary) 358 (decimal) (equivalent VOUT\_MIN = 0.7 V)
- Maximum: 0000 0110 0000 0000 (binary) 1536 (decimal) (equivalent VOUT\_MIN = 3 V)

### 7.5.17 VIN\_ON (35h)

The VIN\_ON command sets the value of the input voltage at which the unit should start operation assuming all other required startup conditions are met. Values are mapped to the nearest supported increment. Values outside the supported range are treated as invalid data and cause the device set the CML bit in the STATUS\_BYTE and the invalid data (ivd) bit in the STATUS\_CML registers, and trigger SMBALERT signal. The value of VIN\_ON remains unchanged on an out-of-range write attempt. The contents of this register can be stored to nonvolatile memory using the STORE\_DEFAULT\_ALL command.

The supported VIN\_ON values are shown in Table 9:

**Table 9. Supported VIN\_ON Values**

VIN_ON Values (V)				
4.25	4.5 (default)	4.75	5	5.25
5.5	5.75	6	6.25	6.5
6.75	7	7.25	7.5	7.75

VIN\_ON must be set higher than VIN\_OFF. Attempting to write either VIN\_ON lower than VIN\_OFF or VIN\_OFF higher than VIN\_ON results in the new value being rejected, SMBALERT signal being asserted along with the CML bit in STATUS\_BYTE and the invalid data bit in STATUS\_CML.

The data word that accompanies this command is divided into a fixed 5-bit exponent and an 11-bit mantissa. The four most significant bits of the mantissa are fixed, while the lower 4 bits may be altered.

COMMAND	VIN_ON															
Format	Linear, two's complement binary															
Bit Position	7	6	5	4	3	2	1	0	7	6	5	4	3	2	1	0
Access	r	r	r	r	r	r	r	r	r	r	r	r	r/w <sup>E</sup>	r/w <sup>E</sup>	r/w <sup>E</sup>	r/w <sup>E</sup>
Function	Exponent								Mantissa							
Default Value	1	1	1	1	0	0	0	0	0	0	0	1	0	0	1	0

#### 7.5.17.1 Exponent

default: 11110 (binary) –2 (decimal) (equivalent LSB = 0.25 V)

These default settings are not programmable.

#### 7.5.17.2 Mantissa

default: 000 0001 0010 (binary) 18 (decimal) (equivalent VIN\_ON voltage = 4.5 V)

Minimum: 000 0001 0001 (binary) 17 (decimal) (equivalent VIN\_ON voltage = 4.25 V)

Maximum: 000 0001 1111 (binary) 31 (decimal) (equivalent VIN\_ON voltage = 7.75 V)

### 7.5.18 VIN\_OFF (36h)

The VIN\_OFF command sets the value of the input voltage at which the unit should stop operation. Values are mapped to the nearest supported increment. Values outside the supported range is treated as invalid data and causes the device to set the CML bit in the STATUS\_BYTE and the invalid data (ivd) bit in the STATUS\_CML registers, and trigger SMBALERT signal. The value of VIN\_OFF remains unchanged during an out-of-range write attempt. The contents of this register can be stored to nonvolatile memory using the STORE\_DEFAULT\_ALL command.

The supported VIN\_OFF values are shown in Table 10:

**Table 10. Supported VIN\_OFF Values**

VIN_OFF Values (V)				
4 (default)	4.25	4.5	4.75	5
5.25	5.5	5.75	6	6.25
6.5	6.75	7	7.25	7.5

VIN\_ON must be set higher than VIN\_OFF. Attempting to write either VIN\_ON lower than VIN\_OFF or VIN\_OFF higher than VIN\_ON results in the new value being rejected, SMBALERT being asserted along with the cml bit in STATUS\_BYTE and the invalid data bit in STATUS\_CML.

The data word that accompanies this command is divided into a fixed 5 bit exponent and an 11 bit mantissa. The 4 most significant bits of the mantissa are fixed, while the lower 7 bits may be altered.

COMMAND	VIN_OFF															
Format	Linear, two's complement binary															
Bit Position	7	6	5	4	3	2	1	0	7	6	5	4	3	2	1	0
Access	r	r	r	r	r	r	r	r	r	r	r	r	r/w <sup>E</sup>	r/w <sup>E</sup>	r/w <sup>E</sup>	r/w <sup>E</sup>
Function	Exponent					Mantissa										
Default Value	1	1	1	1	0	0	0	0	0	0	0	1	0	0	0	0

#### 7.5.18.1 Exponent

default: 11110 (binary) –2 (decimal) (equivalent LSB = 0.25 V)

These default settings are not programmable.

#### 7.5.18.2 Mantissa

default: 000 0001 0000 (binary) 16 (decimal) (equivalent VIN\_OFF voltage = 4 V)

Minimum: 000 0001 0000 (binary) 16 (decimal) (equivalent VIN\_OFF voltage = 4 V)

Maximum: 000 0001 1110 (binary) 30 (decimal) (equivalent VIN\_OFF voltage = 7.5 V)

### 7.5.19 IOUT\_CAL\_OFFSET (39h)

The IOUT\_CAL\_OFFSET command is used to compensate for offset errors in the READ\_IOUT results and the IOUT\_OC\_FAULT\_LIMIT and IOUT\_OC\_WARN\_LIMIT thresholds. The units are amperes. The default setting is 0 A. The resolution of the argument for this command is 62.5 mA and the range is +3.9375 A to –4 A. Values written outside of this range alias into the supported range. This occurs because the read-only bits are fixed. The exponent is always –4 and the 5 MSB bits of the Mantissa are always equal to the sign bit. The contents of this register can be stored to nonvolatile memory using the STORE\_DEFAULT\_ALL command.

COMMAND	IOUT_CAL_OFFSET															
Format	Linear, two's complement binary															
Bit Position	7	6	5	4	3	2	1	0	7	6	5	4	3	2	1	0
Access	r	r	r	r	r	r/w <sup>E</sup>	r	r	r	r	r/w <sup>E</sup>	r/w <sup>E</sup>	r/w <sup>E</sup>	r/w <sup>E</sup>	r/w <sup>E</sup>	r/w <sup>E</sup>
Function	Exponent					Mantissa										

COMMAND	IOUT_CAL_OFFSET															
Default Value	1	1	1	0	0	0	0	0	0	0	0	0	0	0	0	0

### 7.5.19.1 Exponent

default: 11100 (binary) –4 (decimal) (LSB = 62.5 mA)

These default settings are not programmable.

### 7.5.19.2 Mantissa

MSB is programmable with sign, next 4 bits are sign extend only.

Lower six bits are programmable with a default value of 0 (decimal).

### 7.5.20 VOUT\_OV\_FAULT\_RESPONSE (41h)

The VOUT\_OV\_FAULT\_RESPONSE command instructs the device on what action to take in response to an Output Over Voltage Fault based on MFR\_SPECIFIC\_07 (PCT\_OV\_UV\_WRN\_FLT\_LIMITS). The device also:

- Sets the OVF bit in the [STATUS\\_BYTE](#)
- Sets the VFW bit in the [STATUS\\_WORD](#)
- Sets the OVF bit in the [STATUS\\_VOUT](#) register, and
- Notifies the host by asserting [SMBALERT](#)

For loop slave device, this command cannot be accessed. Any writes to this command will be ignored. An attempt to read or write this command will result in a NACK'd command, the reporting of an IVC fault, and triggering of SMB\_ALERT.

The contents of this register can be stored to nonvolatile memory using the STORE\_DEFAULT\_ALL command.

The default response to a output overvoltage fault is to shut down and restart with 7 × TON\_RISE time delay.

COMMAND	VOUT_OV_FAULT_RESPONSE							
Format	Unsigned binary							
Bit Position	7	6	5	4	3	2	1	0
Access	r/w <sup>E</sup>	r	r/w <sup>E</sup>	r/w	r/w	r	r	r
Function	RSP[1]	0	RS[2]	RS[1]	RS[0]	TD[2]	TD[1]	TD[0]
Default Value	1	0	1	1	1	1	1	1

#### 7.5.20.1 RSP[1] Bit

This bit sets the output voltage overvoltage response to either ignore or not. The default for this bit is 1.

BIT VALUE	ACTION
0	The PMBus device continues operation without interruption. Note: In this <i>ignore</i> fault response mode, the associated fault status bits is set. Additionally, <a href="#">SMBALERT</a> remains triggered if it is not masked.
1	The PMBus device shuts down and restarts according to RS[2:0].

#### 7.5.20.2 RS[2:0] Bits

These bits are output voltage overvoltage retry setting. The default for this bit is 111b.

BIT VALUE	ACTION
000	A zero value for the retry setting means that the unit does not attempt to restart. The output remains disabled until the fault is cleared (Refer to section 10.7 of the PMBus specification)
111	A one value for the retry setting means that the unit goes through a normal startup (Soft start) continuously, without limitation, until it is commanded off or bias power is removed or another fault condition causes the unit to shutdown.

Any value other than 000 or 111 is not accepted. Attempting to write any other value is rejected, causing the device to assert  $\overline{\text{SMBALERT}}$  along with the CML bit in **STATUS\_BYTE** and the invalid data bit in **STATUS\_CML**. Note: because all 3 bits must be the same, only one (bit 5) is stored in EEPROM.

### 7.5.20.3 TD[2:0] Bits

These bits are output voltage overvoltage retry time delay retting. The default for this bit is 111b.

BIT VALUE	ACTION
000	A zero value for the retry time delay setting means that the unit does not attempt to delay a restart. This is only supported when Restart is disabled by RS[2:0] = 000. The output remains disabled until the fault is cleared (Refer to section 10.7 of the PMBus specification)
111	A one value for the retry time delay setting means that the unit waits 7 TON_RISE times before it goes through a normal startup (Soft start). This is only supported when Restart is enabled by RS[2:0] = 111.

These bits are direct reflections of the RS[2] (bit 5) value in this register.

### 7.5.21 VOUT\_UV\_FAULT\_RESPONSE (45h)

The VOUT\_UV\_FAULT\_RESPONSE command instructs the device on what action to take in response to an Output Under Voltage Fault based on MFR\_SPECIFIC\_07 (PCT\_OV\_UV\_WRN\_FLT\_LIMITS). The device also:

- Sets the oth bit in the **STATUS\_BYTE**
- Sets the VFW bit in the **STATUS\_WORD**
- Sets the UVF bit in the **STATUS\_VOUT** register, and
- Notifies the host by asserting  $\overline{\text{SMBALERT}}$

For loop slave device, this command cannot be accessed. Any writes to this command will be ignored. An attempt to read or write this command will result in a NACK'd command, the reporting of an IVC fault, and triggering of SMB\_ALERT.

The contents of this register can be stored to nonvolatile memory using the STORE\_DEFAULT\_ALL command.

The default response to a output undervoltage fault is to shut down and restart with 7 × TON\_RISE time delay.

COMMAND	VOUT_UV_FAULT_RESPONSE							
Format	Unsigned binary							
Bit Position	7	6	5	4	3	2	1	0
Access	r/w <sup>E</sup>	r	r/w <sup>E</sup>	r/w	r/w	r	r	r
Function	RSP[1]	0	RS[2]	RS[1]	RS[0]	TD[2]	TD[1]	TD[0]
Default Value	1	0	1	1	1	1	1	1

### 7.5.21.1 RSP[1] Bit

This bit sets the output voltage undervoltage response to either ignore or not. The default for this bit is 1.

BIT VALUE	ACTION
0	The PMBus device continues operation without interruption. Note: In this <i>ignore</i> fault response mode, the associated fault status bits are set. Additionally, $\overline{\text{SMBALERT}}$ continues to be triggered if it is not masked.
1	The PMBus device shuts down and restarts according to RS[2:0].

### 7.5.21.2 RS[2:0] Bits

These bits are output voltage undervoltage retry setting. The default for this bit is 111b.

BIT VALUE	ACTION
000	A zero value for the retry setting means that the unit does not attempt to restart. The output remains disabled until the fault is cleared (Refer to section 10.7 of the PMBus specification)
111	A one value for the retry setting means that the unit goes through a normal startup (soft start) continuously, without limitation, until it is commanded off or bias power is removed or another fault condition causes the unit to shutdown.

Any value other than 000 or 111 is not accepted. Attempting to write any other value is rejected, causing the device to assert  $\overline{\text{SMBALERT}}$  along with the CML bit in [STATUS\\_BYTE](#) and the invalid data bit in [STATUS\\_CML](#). Because all 3 bits must be the same, only one (bit 5) is stored in EEPROM.

### 7.5.21.3 TD[2:0] Bits

These bits are output voltage undervoltage retry time delay setting. The default for this bit is 111b.

BIT VALUE	ACTION
000	A zero value for the retry time delay setting means that the unit does not attempt to delay a restart. This is only supported when Restart is disabled by RS[2:0] = 000. The output remains disabled until the fault is cleared (Refer to section 10.7 of the PMBus specification)
111	A one value for the retry time delay setting means that the unit waits 7 TON_RISE times before it goes through a normal startup (Soft start). This is only supported when Restart is enabled by RS[2:0] = 111.

These bits are direct reflections of the RS[2] (bit 5) value in this register.

## 7.5.22 IOUT\_OC\_FAULT\_LIMIT (46h)

The IOUT\_OC\_FAULT\_LIMIT command sets the value of the output current, in amperes, that causes the overcurrent detector to indicate an overcurrent fault condition. The IOUT\_OC\_FAULT\_LIMIT should be set equal to or greater than the [IOUT\\_OC\\_WARN\\_LIMIT](#). Writing a value to IOUT\_OC\_FAULT\_LIMIT less than [IOUT\\_OC\\_WARN\\_LIMIT](#) causes the device to set the CML bit in the [STATUS\\_BYTE](#) and the invalid data (ivd) bit in the [STATUS\\_CML](#) registers as well as assert the  $\overline{\text{SMBALERT}}$  signal. The contents of this register can be stored to nonvolatile memory using the [STORE\\_DEFAULT\\_ALL](#) command. Since 2-LSBs are not stored in EEPROM, on STORE, always round up. If IOUT\_OC\_FAULT\_LIMIT [1:0] > 0, add 1 to IOUT\_OC\_FAULT\_LIMIT [6:2]

The IOUT\_OC\_FAULT\_LIMIT takes a two-byte data word formatted as shown below:

COMMAND	IOUT_OC_FAULT_LIMIT															
Format	Linear, two's complement binary															
Bit Position	7	6	5	4	3	2	1	0	7	6	5	4	3	2	1	0
Access	r	r	r	r	r	r	r	r	r	r/w <sup>E</sup>	r/w <sup>E</sup>	r/w <sup>E</sup>	r/w <sup>E</sup>	r/w <sup>E</sup>	r/w	r/w
Function	Exponent								Mantissa							
Default Value	See Below															

### 7.5.22.1 Exponent

default: 11111 (binary) –1 (decimal) (0.5 A)

These default settings are not programmable.

### 7.5.22.2 Mantissa

The upper four bits are fixed at 0.

The lower seven bits are programmable.

Use Equation 10 to calculate the actual output current for a given mantissa and exponent.

$$I_{OUT(OC)} = \text{Mantissa} \times 2^{\text{Exponent}} = \frac{\text{Mantissa}}{2} \quad (10)$$

The default values and allowable ranges for each device are summarized below:

DEVICE	OC_FAULT_LIMIT			UNIT
	MIN	DEFAULT	MAX	
TPSM846C23	5	42	52	A

### 7.5.23 IOUT\_OC\_FAULT\_RESPONSE (47h)

The IOUT\_OC\_FAULT\_RESPONSE command instructs the device on what action to take in response to an IOUT\_OC\_FAULT\_LIMIT. The device also:

- Sets the OCF bit in the STATUS\_BYTE
- Sets the OCFW bit in the STATUS\_WORD
- Sets the OCF bit in the STATUS\_IOUT register, and
- Notifies the host by asserting  $\overline{\text{SMBALERT}}$

The contents of this register can be stored to nonvolatile memory using the STORE\_DEFAULT\_ALL command.

The default response to an overcurrent fault is to shut down and restart with 7 × TON\_RISE time delay.

COMMAND	IOUT_OC_FAULT_RESPONSE							
Format	Unsigned binary							
Bit Position	7	6	5	4	3	2	1	0
Access	r/w <sup>E</sup>	r/w	r/w <sup>E</sup>	r/w	r/w	r	r	r
Function	RSP[1]	RSP[0]	RS[2]	RS[1]	RS[0]	TD[2]	TD[1]	TD[0]
Default Value	1	1	1	1	1	1	1	1

#### 7.5.23.1 RSP[1:0] Bits

These bits set the overcurrent fault response to either ignore or not. The default for this bit is 11b. Any value other than 00b or 11b will not be accepted, such and attempt will cause the 'cml' bit in the STATUS\_BYTE register and the *ivd* bit in the STATUS\_CML register to be set, and assert  $\overline{\text{SMBALERT}}$ . Because both bits must be the same, only one (bit 7) is stored in EEPROM. The default for this bit is 11b.

BIT VALUE	ACTION
00	The PMBus device continues operation without interruption. Note: In this "ignore" fault response mode, the associated fault status bits are set. Additionally, $\overline{\text{SMBALERT}}$ continues to be triggered if it is not masked.
11	The PMBus device shuts down and restarts according to RS[2:0].

### 7.5.23.2 RS[2:0] Bits

These bits are overcurrent fault retry setting. The default for this bit is 111b.

BIT VALUE	ACTION
000	A zero value for the retry setting means that the unit does not attempt to restart. The output remains disabled until the fault is cleared (Refer to section 10.7 of the PMBus specification)
111	A one value for the retry setting means that the unit goes through a normal startup (soft-start) continuously, without limitation, until it is commanded off or bias power is removed or another fault condition causes the unit to shutdown.

Any value other than 000 or 111 is not accepted. Attempting to write any other value is rejected, causing the device to assert  $\overline{\text{SMBALERT}}$  along with the CML bit in [STATUS\\_BYTE](#) and the invalid data bit in [STATUS\\_CML](#). Because all 3 bits must be the same, only one (bit 5) is stored in EEPROM.

### 7.5.23.3 TD[2:0] Bits

These bits are over current retry time delay setting. The default for this bit is 111b.

BIT VALUE	ACTION
000	A zero value for the retry time delay setting means that the unit does not attempt to delay a restart. This is only supported when Restart is disabled by RS[2:0] = 000. The output remains disabled until the fault is cleared (Refer to section 10.7 of the PMBus specification)
111	A one value for the retry time delay setting means that the unit waits 7 TON_RISE times before it goes through a normal startup (Soft start). This is only supported when Restart is enabled by RS[2:0] = 111.

These bits are direct reflections of the RS[2] (bit 5) value in this register.

### 7.5.24 IOUT\_OC\_WARN\_LIMIT (4Ah)

The IOUT\_OC\_WARN\_LIMIT command sets the value of the output current, in amperes, that causes the overcurrent detector to indicate an overcurrent warning. When this current level is exceeded the device:

- Sets the oth bit in the [STATUS\\_BYTE](#)
- Sets the OCFW bit in the [STATUS\\_WORD](#)
- Sets the OCW bit in the [STATUS\\_IOUT](#) register, and
- Notifies the host by asserting  $\overline{\text{SMBALERT}}$

The IOUT\_OC\_WARN\_LIMIT threshold should always be set to less than or equal to the [IOUT\\_OC\\_FAULT\\_LIMIT](#). Writing a value to IOUT\_OC\_WARN\_LIMIT greater than [IOUT\\_OC\\_FAULT\\_LIMIT](#) causes the device to set the CML bit in the [STATUS\\_BYTE](#) and the invalid data (ivd) bit in the [STATUS\\_CML](#) registers as well as assert the  $\overline{\text{SMBALERT}}$  signal. In such case, the register content will remain unchanged. This behavior can be overridden by the user setting Data Limit Override (DLO) in MFR\_SPECIFIC\_21[4].

The default IOUT\_OC\_WARN\_LIMIT is always set to 87.5% of the OCF value. Because the IOUT\_OC\_WARN\_LIMIT is not stored in EEPROM, the IOUT\_OC\_WARN\_LIMIT register is set to 12.5% less than the stored OCF threshold upon any RESTORE from EEPROM (reset\_restore, or RESTORE\_DEFAULT\_ALL command). The digital math to achieve this is:  $\text{OCW\_default} = (\text{OCF} - \text{OCF}/8)$ .

The IOUT\_OC\_WARN\_LIMIT takes a two byte data word formatted as shown below:

COMMAND	IOUT_OC_WARN_LIMIT															
Format	Linear, two's complement binary															
Bit Position	7	6	5	4	3	2	1	0	7	6	5	4	3	2	1	0
Access	r	r	r	r	r	r	r	r	r	r/w	r/w	r/w	r/w	r/w	r/w	r/w
Function	Exponent							Mantissa								
Default Value	See Below															



### 7.5.24.1 Exponent

default: 11111 (binary) –1 (decimal) (0.5 A)

These default settings are not programmable.

### 7.5.24.2 Mantissa

The upper four bits are fixed at 0.

Lower seven bits are programmable.

The actual output warning current level for a given mantissa and exponent is:

$$I_{OUT(OCW)} = \text{Mantissa} \times 2^{\text{Exponent}} = \frac{\text{Mantissa}}{2} \quad (11)$$

The default values and allowable ranges for each device are summarized below:

DEVICE	OC_WARN_LIMIT			UNIT
	MIN	DEFAULT	MAX	
TPSM846C23	4	37	50	A

### 7.5.25 OT\_FAULT\_LIMIT (4Fh)

The OT\_FAULT\_LIMIT command sets the value of the temperature, in degrees Celsius, that causes an overtemperature fault condition, when the sensed temperature from the internal sensor exceeds this limit.

The OT\_FAULT\_LIMIT must always be greater than the OT\_WARN\_LIMIT. Writing a value to OT\_FAULT\_LIMIT less than or equal to OT\_WARN\_LIMIT causes the device to set the CML bit in the STATUS\_BYTE and the invalid data (ivd) bit in the STATUS\_CML registers as well as asserts the SMBALERT signal. The contents of this register can be stored to nonvolatile memory using the STORE\_DEFAULT\_ALL command.

The OT\_FAULT\_LIMIT takes a two byte data word formatted as shown below.

COMMAND	OT_FAULT_LIMIT															
Format	Linear, two's complement binary															
Bit Position	7	6	5	4	3	2	1	0	7	6	5	4	3	2	1	0
Access	r	r	r	r	r	r	r	r	r/w <sup>E</sup>	r/w <sup>E</sup>	r/w <sup>E</sup>	r/w <sup>E</sup>	r/w <sup>E</sup>	r/w <sup>E</sup>	r/w <sup>E</sup>	r/w <sup>E</sup>
Function	Exponent								Mantissa							
Default Value	0	0	0	0	0	0	0	0	1	0	0	1	0	0	0	1

#### 7.5.25.1 Exponent

default: 00000 (binary) 0 (decimal) (represents mantissa with steps of 1 degree Celcius)

These default settings are not programmable.

#### 7.5.25.2 Mantissa

default: 000 1001 0001 (binary) 145 (decimal) (145°C)

Minimum: 000 0111 1000 (binary) (equivalent OTF = 120°C)

Maximum: 000 1010 0101 (binary) (equivalent OTF = 165°C)

### 7.5.26 OT\_FAULT\_RESPONSE (50h)

The OT\_FAULT\_RESPONSE command instructs the device on what action to take in response to an OT\_FAULT\_LIMIT. The device also:

- Sets the OTFW bit in the STATUS\_BYTE
- Sets the OTF bit in the STATUS\_TEMPERATURE
- Notifies the host by asserting  $\overline{\text{SMBALERT}}$

When the overtemperature fault is tripped, the fault flag is latched until the internal sensed temperature decreases 20°C from the OT\_FAULT\_LIMIT.

The contents of this register can be stored to nonvolatile memory using the STORE\_DEFAULT\_ALL command.

The default response to an over temperature fault is to ignore. Fixed Bandgap Detected Overtemperature faults are never ignored. The Bandgap OT faults always respond in a shutdown and attempted restart once the part cools.

COMMAND	OT_FAULT_RESPONSE							
Format	Unsigned binary							
Bit Position	7	6	5	4	3	2	1	0
Access	r/w <sup>E</sup>	r	r/w <sup>E</sup>	r/w	r/w	r	r	r
Function	RSP[1]	0	RS[2]	RS[1]	RS[0]	TD[2]	TD[1]	TD[0]
Default Value	0	0	1	1	1	1	1	1

### 7.5.26.1 RSP[1] Bit

This bit sets the over temperature fault response to either ignore or not. The default for this bit is 0.

BIT VALUE	ACTION
0	The PMBus device continues operation without interruption. Note: In this “ignore” fault response mode, the associated fault status bits are set. Additionally, SMBALERT continues to be triggered if it is not masked.
1	The PMBus device shuts down and restarts according to RS[2:0].

### 7.5.26.2 RS[2:0] Bits

These bits are over temperature fault retry setting. The default for this bit is 111b.

BIT VALUE	ACTION
000	A zero value for the Retry Setting means that the unit does not attempt to restart. The output remains disabled until the fault is cleared (Refer to section 10.7 of the PMBus specification)
111	A one value for the Retry Setting means that the unit goes through a normal startup (Soft start) continuously, without limitation, until it is commanded off or bias power is removed or another fault condition causes the unit to shutdown.

Any value other than 000 or 111 is not accepted. Attempting to write any other value is rejected, causing the device to assert **SMBALERT** along with the CML bit in **STATUS\_BYTE** and the invalid data bit in **STATUS\_CML**. Because all 3 bits must be the same, only one (bit 5) is stored in EEPROM.

#### NOTE

The programmed response here is also applied to the bandgap-detected overtemperature (OT) faults with the one exception of the *ignore* response. The fixed Bandgap-detected overtemperature faults are never ignored. The bandgap OT faults always respond in a shutdown and attempted restart when the part cools.

### 7.5.26.3 TD[2:0] Bits

These bits are overtemperature fault retry time delay setting. The default for this bit is 111b.

BIT VALUE	ACTION
000	A zero value for the retry time delay setting means that the unit does not attempt to delay a restart. This is only supported when restart is disabled by RS[2:0] = 000. The output remains disabled until the fault is cleared (Refer to section 10.7 of the PMBus specification)
111	A one value for the retry time delay setting means that the unit waits 7 TON_RISE times before it goes through a normal startup (soft start). This is only supported when restart is enabled by RS[2:0] = 111.

These bits are direct reflections of the RS[2] (bit 5) value in this register.

### 7.5.27 OT\_WARN\_LIMIT (51h)

The OT\_WARN\_LIMIT command sets the value of the temperature, in degrees Celsius, that causes an overtemperature warning condition, when the sensed temperature from the internal sensor exceeds this limit. Upon triggering the overtemperature warning, the device takes the following actions:

- Sets the TEMPERATURE bit in the [STATUS\\_BYTE](#)
- Sets the OT Warning bit in the [STATUS\\_TEMPERATURE](#)
- Notifies the host by asserting  $\overline{\text{SMBALERT}}$

Once the overtemperature warning is tripped, the warning flag is latched until the internal sensed temperature decreases 20°C from the OT\_WARN\_LIMIT.

The OT\_WARN\_LIMIT must always be less than the [OT\\_FAULT\\_LIMIT](#). Writing a value to OT\_WARN\_LIMIT greater than or equal to [OT\\_FAULT\\_LIMIT](#) causes the device to set the CML bit in the [STATUS\\_BYTE](#) and the invalid data (ivd) bit in the [STATUS\\_CML](#) registers as well as assert the  $\overline{\text{SMBALERT}}$  signal. In such case, the register content will remain unchanged. This behavior can be overridden by the user setting Data Limit Override (DLO) in MFR\_SPECIFIC\_21[4].

The default OT\_WARN\_LIMIT is mathematically derived from the EEPROM backed OTF limit by subtracting 25 from (4Fh) OT\_FAULT\_LIMIT to reach the default OT\_WARN\_LIMIT. If the calculated OTW is less than 100°C, then the default value is set to 100°C.  $\text{OTW} = \max(\text{OTF} - 25, 100)$

The OT\_WARN\_LIMIT takes a two byte data word formatted as shown below:

COMMAND	OT_WARN_LIMIT															
Format	Unsigned binary															
Bit Position	7	6	5	4	3	2	1	0	7	6	5	4	3	2	1	0
Access	r	r	r	r	r	r	r	r	r/w	r/w	r/w	r/w	r/w	r/w	r/w	r/w
Function	Exponent								Mantissa							
Default Value	0	0	0	0	0	0	0	0	1	1	1	1	1	0	0	0

#### 7.5.27.1 Exponent

default: 00000 (binary) 0 (decimal) (represents mantissa with steps of 1 degree Celcius)

These default settings are not programmable.

#### 7.5.27.2 Mantissa

default: 000 0111 1000 (binary) 120 (decimal) (120°C) 25°C less than default OTF

Minimum: 000 0110 0100 (binary) (equivalent OTF = 100°C)

Maximum: 000 1000 1100 (binary) (equivalent OTF = 140°C)

### 7.5.28 TON\_DELAY (60h)

The TON\_DELAY command sets the time in milliseconds, from when a start condition is received to when the output voltage starts to rise. The contents of this register can be stored to nonvolatile memory using the [STORE\\_DEFAULT\\_ALL](#) command.

For loop slave device, this command cannot be accessed. Any writes to this command will be ignored. An attempt to read or write this command will result in a NACK'd command, the reporting of an IVC fault, and triggering of SMB\_ALERT.

The TON\_DELAY command is formatted as a linear mode two's complement binary integer.

COMMAND	TON_DELAY															
Format	Linear, two's complement binary															
Bit Position	7	6	5	4	3	2	1	0	7	6	5	4	3	2	1	0
Access	r	r	r	r	r	r	r	r	r	r/W <sup>E</sup>	r/W <sup>E</sup>	r/W <sup>E</sup>	r/W <sup>E</sup>	r/W <sup>E</sup>	r/W <sup>E</sup>	r/W <sup>E</sup>
Function	Exponent							Mantissa								
Default Value	0	0	0	0	0	0	0	0	0	0	0	0	0	0	0	0

#### 7.5.28.1 Exponent

default: 00000 (binary) 0 (decimal) (1 millisecond)

These default settings are not programmable.

#### 7.5.28.2 Mantissa

The upper four bits are fixed at 0. The lower seven bits are programmable with a default value of 000 0000 0000 (binary) (0 ms).

Only 16 fixed TON\_DELAY times are available in the device. As such, the range of programmed TON\_DELAY settings are sub-divided into 16 *buckets* that then selects one of the 16 supported times. Programmed values are rounded to the nearest *bucket/transition rate* as outlined in the table [Supported TON\\_DELAY Values](#):

**Table 11. Supported TON\_DELAY Values**

EFFECTIVE TON_DELAY (ms)	PROGRAMMED TON_DELAY MANTISSA (decimal)	
	Greater than	Less than or equal to
0 (50 us)	—	0
1	0	1
2	1	2
3	2	3
4	3	4
5	4	5
6	5	6
7	6	9
10	9	12
14	12	17
19	17	22
27	22	32
37	32	44
52	44	62
72	62	86
100	86	—

### 7.5.29 TON\_RISE (61h)

The TON\_RISE command sets the time in milliseconds, from when the reference starts to rise until the voltage has entered the regulation band. The contents of this register can be stored to nonvolatile memory using the [STORE\\_DEFAULT\\_ALL](#) command.

For loop slave device, this command cannot be accessed. Any writes to this command will be ignored. An attempt to read or write this command will result in a NACK'd command, the reporting of an IVC fault, and triggering of SMB\_ALERT.

Programming a value of 0 instructs the unit to bring its output voltage to the programmed regulation value as quickly as possible. For the device, this results in an effective TON\_RISE time of 1ms (fastest time supported).

The TON\_RISE command is formatted as a linear mode two's complement binary integer.

COMMAND	TON_RISE																
Format	Linear, two's complement binary																
Bit Position	7	6	5	4	3	2	1	0	7	6	5	4	3	2	1	0	
Access	r	r	r	r	r	r	r	r	r	r/W <sup>E</sup>	r/W <sup>E</sup>	r/W <sup>E</sup>	r/W <sup>E</sup>	r/W <sup>E</sup>	r/W <sup>E</sup>	r/W <sup>E</sup>	
Function	Exponent								Mantissa								
Default Value	0	0	0	0	0	0	0	0	0	0	0	0	0	0	0	1	1

#### 7.5.29.1 Exponent

default: 00000 (binary) 0 (decimal) (1 millisecond)

These default settings are not programmable.

#### 7.5.29.2 Mantissa

The upper four bits are fixed at 0. The lower seven bits are programmable with a default value of 000 0000 0011 (binary) (3 ms). For PWM loop slave device, the effective TON\_RISE time is locked at 100 ms.

The supported TON\_RISE times over PMBus are shown in [Table 12](#):

**Table 12. Supported TON\_RISE Values**

Effective TON_RISE (ms)	Programmed TON_RISE Mantissa (d)	
	Greater than	Less than or equal to
1	—	1
2	1	2
3	2	3
4	3	4
5	4	5
6	5	6
7	6	9
10	9	12
14	12	17
19	17	22
27	22	32
37	32	44
52	44	62
72	62	86
100	86	—

### 7.5.30 TON\_MAX\_FAULT\_LIMIT (62h)

The TON\_MAX\_FAULT\_LIMIT command sets an UPPER limit in milliseconds, on how long the unit can attempt to power up the output without reaching the output undervoltage fault limit. The time begins counting as soon as the device enters the soft-start state begins to ramp the output. In other words, the TON\_MAX\_FAULT\_LIMIT timer starts at the beginning of the TON\_RISE state.

For loop slave device, this command cannot be accessed. Any writes to this command will be ignored. An attempt to read or write this command will result in a NACK'd command, the reporting of an IVC fault, and triggering of SMB\_ALERT.

When TON\_MAX\_FAULT\_LIMIT is set to 0, the TON\_MAX\_FAULT timer is disabled, which means that there is no limit and that the unit can attempt to bring up the output voltage indefinitely.

The device does not prohibit setting TON\_MAX\_FAULT\_LIMIT < TON\_RISE, however, in this configuration, the device will trigger a TON\_MAX\_FAULT if the VOUT has not risen above the UVF threshold by 4 seconds after the TON\_DELAY and TON\_RISE times expire.

The TON\_MAX\_FAULT\_LIMIT command is formatted as a linear mode two's complement binary integer.

COMMAND	TON_MAX_FAULT_LIMIT															
Format	Linear, two's complement binary															
Bit Position	7	6	5	4	3	2	1	0	7	6	5	4	3	2	1	0
Access	r	r	r	r	r	r	r	r	r	r/w	r/w	r/w	r/w	r/w	r/w	r/w
Function	Exponent								Mantissa							
Default Value	0	0	0	0	0	0	0	0	0	0	0	0	0	0	0	0

#### 7.5.30.1 Exponent

default: 00000 (binary) 0 (decimal) (Disable)

These default settings are not programmable.

#### 7.5.30.2 Mantissa

The upper four bits are fixed at 0.

This register is not EEPROM backed, a RESTORE\_DEFAULT\_ALL command causes the TON\_MAX\_FAULT\_LIMIT to restore to the default 0 ms value.

The supported TON\_MAX\_FAULT\_LIMIT times over PMBus are shown below:

**Table 13. Supported TON\_MAX\_FAULT\_LIMIT Values**

Effective TON_MAX_FAULT_LI MIT (ms)	Programmed TON_MAX_FAULT_LIMIT Mantissa (d)	
	Greater than	Less than or equal to
No Limit (timer disabled)	—	0
1	0	1
2	1	2
3	2	3
4	3	4
5	4	5
6	5	6
7	6	9
10	9	12
14	12	17
19	17	22
27	22	32
37	32	44
52	44	62

**Table 13. Supported TON\_MAX\_FAULT\_LIMIT Values (continued)**

Effective TON_MAX_FAULT_LI MIT (ms)	Programmed TON_MAX_FAULT_LIMIT Mantissa (d)	
	Greater than	Less than or equal to
72	62	86
100	86	—

### 7.5.31 TON\_MAX\_FAULT\_RESPONSE (63h)

The TON\_MAX\_FAULT\_RESPONSE command instructs the device on what action to take in response to an [TON\\_MAX\\_FAULT\\_LIMIT](#).

The device also:

- Sets the oth bit in the [STATUS\\_BYTE](#)
- Sets the VFW bit in the [STATUS\\_WORD](#)
- Sets the TONMAXF bit in the [STATUS\\_VOUT](#) register, and
- Notifies the host by asserting [SMBALERT](#)

For loop slave device, this command cannot be accessed. Any writes to this command will be ignored. An attempt to read or write this command will result in a NACK'd command, the reporting of an IVC fault, and triggering of [SMB\\_ALERT](#).

The contents of this register can be stored to nonvolatile memory using the [STORE\\_DEFAULT\\_ALL](#) command.

The default response to a TON\_MAX\_FAULT is to shut down and restart with 7 × TON\_RISE time delay.

COMMAND	TON_MAX_FAULT_RESPONSE							
Format	Unsigned binary							
Bit Position	7	6	5	4	3	2	1	0
Access	r/w <sup>E</sup>	r	r/w <sup>E</sup>	r/w	r/w	r	r	r
Function	RSP[1]	0	RS[2]	RS[1]	RS[0]	TD[2]	TD[1]	TD[0]
Default Value	1	0	1	1	1	1	1	1

#### 7.5.31.1 RSP[1] Bit

This bit sets the TON\_MAX\_FAULT response to either ignore or not. The default for this bit is 1.

BIT VALUE	ACTION
0	The PMBus device continues operation without interruption. Note: In this <i>ignore</i> fault response mode, the associated fault status bits are set. Additionally, <a href="#">SMBALERT</a> continues to be triggered if it is not masked.
1	The PMBus device shuts down and restarts according to RS[2:0].

#### 7.5.31.2 RS[2:0] Bits

These bits are TON\_MAX\_FAULT retry setting. The default for this bit is 111b.

BIT VALUE	ACTION
000	A zero value for the retry setting means that the unit does not attempt to restart. The output remains disabled until the fault is cleared (Refer to section 10.7 of the PMBus specification)
111	A one value for the retry setting means that the unit goes through a normal startup (soft start) continuously, without limitation, until it is commanded off or bias power is removed or another fault condition causes the unit to shutdown.

Any value other than 000 or 111 is not accepted. Attempting to write any other value is rejected, causing the device to assert [SMBALERT](#) along with the CML bit in [STATUS\\_BYTE](#) and the invalid data bit in [STATUS\\_CML](#). Because all 3 bits must be the same, only one (bit 5) is stored in EEPROM.

#### 7.5.31.3 TD[2:0] Bits

These bits are TON\_MAX\_FAULT retry time delay setting. The default for this bit is 111b.

BIT VALUE	ACTION
000	A zero value for the retry time delay setting means that the unit does not attempt to delay a restart. This is only supported when restart is disabled by RS[2:0] = 000. The output remains disabled until the fault is cleared (Refer to section 10.7 of the PMBus specification)
111	A one value for the retry time delay setting means that the unit waits 7 TON_RISE times before it goes through a normal startup (soft start). This is only supported when restart is enabled by RS[2:0] = 111.

These bits are direct reflections of the RS[2] (bit 5) value in this register.

### 7.5.32 TOFF\_DELAY (64h)

The TOFF\_DELAY command sets the time in milliseconds, from when a stop condition is received and when the output voltage starts to fall. The contents of this register can be stored to nonvolatile memory using the [STORE\\_DEFAULT\\_ALL](#) command.

For loop slave device, this command cannot be accessed. Any writes to this command will be ignored. An attempt to read or write this command will result in a NACK'd command, the reporting of an IVC fault, and triggering of SMB\_ALERT.

The TOFF\_DELAY command is formatted as a linear mode two's complement binary integer.

COMMAND	TOFF_DELAY															
Format	Linear, two's complement binary															
Bit Position	7	6	5	4	3	2	1	0	7	6	5	4	3	2	1	0
Access	r	r	r	r	r	r	r	r	r	r/w <sup>E</sup>	r/w <sup>E</sup>	r/w <sup>E</sup>	r/w <sup>E</sup>	r/w <sup>E</sup>	r/w <sup>E</sup>	r/w <sup>E</sup>
Function	Exponent								Mantissa							
Default Value	0	0	0	0	0	0	0	0	0	0	0	0	0	0	0	0

#### 7.5.32.1 Exponent

default: 00000 (binary) 0 (decimal) (1 millisecond)

These default settings are not programmable.

#### 7.5.32.2 Mantissa

The upper four bits are fixed at 0. The lower seven bits are programmable with a default value of 000 0000 0000 (binary) (0 ms).

Only 16 fixed TOFF\_DELAY times are available in the device. As such, the range of programmed TOFF\_DELAY settings are sub-divided into 16 *buckets* that then selects one of the 16 supported times. Programmed values are rounded to the nearest *bucket/transition rate* as outlined in the table [Supported TOFF\\_DELAY Values](#):

**Table 14. Supported TOFF\_DELAY Values**

EFFECTIVE TOFF_DELAY (ms)	PROGRAMMED TOFF_DELAY MANTISSA (decimal)	
	Greater than	Less than or equal to
0	—	0
1	0	1
2	1	2
3	2	3
4	3	4
5	4	5
6	5	6
7	6	9
10	9	12
14	12	17
19	17	22



**Table 14. Supported TOFF\_DELAY Values (continued)**

EFFECTIVE TOFF_DELAY (ms)	PROGRAMMED TOFF_DELAY MANTISSA (decimal)	
	Greater than	Less than or equal to
27	22	32
37	32	44
52	44	62
72	62	86
100	86	—

### 7.5.33 TOFF\_FALL (65h)

The TOFF\_FALL command sets the time in milliseconds, from the end of the TOFF\_DELAY time until the voltage reaches 0 V. The contents of this register can be stored to nonvolatile memory using the [STORE\\_DEFAULT\\_ALL](#) command.

Programming a value of 0 instructs the unit to bring its output voltage down to 0 as quickly as possible. For the device, this results in actively ramping down the output voltage in 1 ms (the fastest supported ramp down).

For loop slave device, this command cannot be accessed. Any writes to this command will be ignored. An attempt to read or write this command will result in a NACK'd command, the reporting of an IVC fault, and triggering of SMB\_ALERT.

The TOFF\_FALL command is formatted as a linear mode two's complement binary integer.

COMMAND	TOFF_FALL															
Format	Linear, two's complement binary															
Bit Position	7	6	5	4	3	2	1	0	7	6	5	4	3	2	1	0
Access	r	r	r	r	r	r	r	r	r	r/w <sup>E</sup>	r/w <sup>E</sup>	r/w <sup>E</sup>	r/w <sup>E</sup>	r/w <sup>E</sup>	r/w <sup>E</sup>	r/w <sup>E</sup>
Function	Exponent								Mantissa							
Default Value	0	0	0	0	0	0	0	0	0	0	0	0	0	0	0	0

#### 7.5.33.1 Exponent

default: 00000 (binary) 0 (decimal) (1 millisecond)

These default settings are not programmable.

#### 7.5.33.2 Mantissa

The upper four bits are fixed at 0. The lower seven bits are programmable with a default value of 000 0000 0011 (binary) (3 ms).

The supported TOFF\_FALL times over PMBus are shown in [Supported TOFF\\_FALL Values](#):

**Table 15. Supported TOFF\_FALL Values**

Effective TOFF_FALL (ms)	Programmed TOFF_FALL Mantissa (d)	
	Greater than	Less than or equal to
1	—	1
2	1	2
3	2	3
4	3	4
5	4	5
6	5	6
7	6	9
10	9	12
14	12	17
19	17	22

**Table 15. Supported TOFF\_FALL Values (continued)**

Effective TOFF_FALL (ms)	Programmed TOFF_FALL Mantissa (d)	
	Greater than	Less than or equal to
27	22	32
37	32	44
52	44	62
72	62	86
100	86	—

### 7.5.34 STATUS\_BYTE (78h)

The STATUS\_BYTE command returns one byte of information with a summary of the most critical device faults.

COMMAND	STATUS_BYTE							
Format	Unsigned binary							
Bit Position	7	6	5	4	3	2	1	0
Access	r	r	r	r	r	r	r	r
Function	X	OFF	OVF	OCF	X	OTFW	CML	oth
Default Value	0	X	0	0	0	0	0	1

A 1 in any of these bit positions indicates that:

- OFF** The device is not providing power to the output, regardless of the reason. In this family of devices, this flag means that the converter is not enabled.
- OVF** An output overvoltage fault has occurred. This bit directly reflects the state of STATUS\_VOUT[7] – OVF. If the user wants this fault source to be masked and not trigger SMBALERT, they must do it by masking STATUS\_VOUT[7]. Per the PMBus v1.3 spec sections 10.2.4 and 10.2.5, this bit is not clearable through a PMBus write. In contrast, the bit is to be cleared by clearing the bits in STATUS\_VOUT that cause this bit to be set. For loop slave device, this bit is 0.
- OCF** An output overcurrent fault has occurred. This bit directly reflect the state of STATUS\_IOUT[7] – OCF. If the user wants this fault sourced to be masked and not trigger SMBALERT, they must do it by masking STATUS\_IOUT[7]. Per the PMBus v1.3 spec sections 10.2.4 and 10.2.5, this bit is not clearable through a PMBus write. In contrast, the bit is to be cleared by clearing the bits in STATUS\_IOUT that cause this bit to be set.
- OTFW** A temperature fault or warning has occurred. Check STATUS\_TEMPERATURE. Per the PMBus v1.3 spec sections 10.2.4 and 10.2.5, this bit is not clearable through a PMBus write. In contrast, the bit is to be cleared by clearing the bits in STATUS\_TEMPERATURE that cause this bit to be set.
- CML** A communications, memory or logic fault has occurred. Check STATUS\_CML. Per the PMBus v1.3 spec sections 10.2.4 and 10.2.5, this bit is not clearable through a PMBus write. In contrast, the bit is to be cleared by clearing the bits in STATUS\_CML that cause this bit to be set.
- oth** A fault or warning not listed through bits 1-7 has occurred, which include an undervoltage fault, over current warning, overvoltage warning, undervoltage warning, TON\_MAX\_FAULT, LOW\_VIN, VOUT\_MAX\_MIN\_Warning, OTF\_BG, or IV\_PPV1. Check other status registers. Per the PMBus v1.3 spec sections 10.2.4 and 10.2.5, this bit is not clearable through a PMBus write. In contrast, the bit is to be cleared by clearing the bits in STATUS\_VOUT, STATUS\_IOUT, STATUS\_IOUT (78h), or STATUS\_MFR\_SPECIFIC (80h) that cause this bit to be set. The default for this bit is 1 because the default of STATUS\_INPUT[3] LOW\_Vin defaulting to 1.

### 7.5.35 STATUS\_WORD (79h)

The STATUS\_WORD command returns two bytes of information with a summary of the device fault and warning conditions. The low byte is identical to the STATUS\_BYTE above. The additional byte reports the warning conditions for output overvoltage and overcurrent, as well as the power good status of the converter.

COMMAND	STATUS_WORD (low byte) = STATUS_BYTE							
Format	Unsigned binary							
Bit Position	7	6	5	4	3	2	1	0
Access	r	r	r	r	r	r	r	r
Function	X	OFF	OVF	OCF	x	OTFW	CML	oth
Default Value	0	X	0	0	0	0	0	1

COMMAND	STATUS_WORD (high byte)							
Format	Unsigned binary							
Bit Position	7	6	5	4	3	2	1	0
Access	r	r	r	r	r <sup>E</sup>	r	r	r
Function	VFW	OCFW	INPUT	MFR	PGOOD_Z	X	X	X
Default Value	0	0	X	0	X	0	0	0

A 1 in any of the high byte bit positions indicates that:

- VFW** An output voltage fault or warning has occurred (OVF or OVW or UVW or UVF or VOUT\_MAX\_Warning or TONMAXF). Check [STATUS\\_VOUT](#). Per the PMBus v1.3 spec sections 10.2.4 and 10.2.5, this bit is not clearable through a PMBus write. In contrast, the bit is to be cleared by clearing the bits in [STATUS\\_VOUT](#) that cause this bit to be set.
- OCFW** An output current warning or fault has occurred (OCF or OCW). Check [STATUS\\_IOUT](#). Per the PMBus v1.3 spec sections 10.2.4 and 10.2.5, this bit is not clearable through a PMBus write. In contrast, the bit is to be cleared by clearing the bits in [STATUS\\_IOUT](#) that cause this bit to be set.
- INPUT** INPUT fault or warning in [STATUS\\_INPUT](#) is present. Check [STATUS\\_INPUT](#). Per the PMBus v1.3 spec sections 10.2.4 and 10.2.5, this bit is not clearable through a PMBus write. In contrast, the bit is to be cleared by clearing the bits in [STATUS\\_INPUT](#) that cause this bit to be set.
- MFR** An manufacturer specific fault or warning condition has occurred (over temperature fault from Bandgap or IV\_PPV1). Check [STATUS\\_MFR\\_SPECIFIC](#). Per the PMBus v1.3 spec sections 10.2.4 and 10.2.5, this bit is not clearable through a PMBus write. In contrast, the bit is to be cleared by clearing the bits in [STATUS\\_MFR\\_SPECIFIC](#) that cause this bit to be set.
- PGOOD\_Z** Power is not good, and the following condition is present: output over or under voltage warning or fault, TON\_MAX\_FAULT, over temperature warning or fault, over current warning or fault, insufficient input voltage. Please refer to the FAULT RESPONSE table for the possible sources to trigger PGOOD\_Z. The signal is unlatched and always represents the current state of the device. The factory default setting for PGOOD\_Z mask bit is 1, indicating that PGOOD\_Z itself cannot trigger SMBALERT by default. If unmask PGOOD\_Z bit, the SMBALERT is set not to trigger before Power Good going high the first time, which is to avoid the device holding up SMBALERT bus when it is not commanded to start up and PGOOD stays low.

### 7.5.36 STATUS\_VOUT (7Ah)

The STATUS\_VOUT command returns one byte of information relating to the status of the output voltage related faults.

COMMAND	STATUS_VOUT							
Format	Unsigned binary							
Bit Position	7	6	5	4	3	2	1	0
Access	r/w <sup>E</sup>	r/w <sup>E</sup>	r/w <sup>E</sup>	r/w <sup>E</sup>	r/w <sup>E</sup>	r/w <sup>E</sup>	r	r
Function	OVF	OVW	UVW	UVF	VOUT_MAX_MIN_Warning	TONMAXF	X	X
Default Value	0	0	0	0	0	0	0	0

A 1 in any of these bit positions indicates that:

- OVF** The device has seen the output voltage rise above the output overvoltage fault threshold VOUT\_OV\_FAULT\_LIMIT. This bit is writeable to clear and the EEPROM bit is for SMBALERT\_MASK. For loop slave device, this bit is forced to 0.
- OVW** The device has seen the output voltage rise above the output overvoltage warn threshold VOUT\_OV\_WARN\_LIMIT. This bit is writeable to clear and the EEPROM bit is for SMBALERT\_MASK. For loop slave device, this bit is forced to 0.
- UVW** The device has seen the output voltage fall below the output undervoltage warn threshold VOUT\_UV\_WARN\_LIMIT. This bit is writeable to clear and the EEPROM bit is for SMBALERT\_MASK. For loop slave device, this bit is forced to 0.
- UVF** The device has seen the output voltage fall below the output undervoltage fault threshold VOUT\_UV\_FAULT\_LIMIT. This bit is writeable to clear and the EEPROM bit is for SMBALERT\_MASK. For loop slave device, this bit is forced to 0.
- VOUT\_MAX\_MIN Warning** An attempt is made to program the VOUT\_COMMAND in excess of the value in VOUT\_MAX or under the value in VOUT\_MIN. This bit is writeable to clear and the EEPROM bit is for SMBALERT\_MASK. For loop slave device, this bit is forced to 0.
- TONMAXF** A TON\_MAX\_FAULT has occurred. This bit is writeable to clear and the EEPROM bit is for SMBALERT\_MASK. For loop slave device, this bit is forced to 0.

### 7.5.37 STATUS\_IOUT (7Bh)

The STATUS\_IOUT command returns one byte of information relating to the status of the output current related faults.

COMMAND	STATUS_IOUT							
Format	Unsigned binary							
Bit Position	7	6	5	4	3	2	1	0
Access	r/w <sup>E</sup>	r	r/w <sup>E</sup>	r	r	r	r	r
Function	OCF	X	OCW	X	X	X	X	X
Default Value	0	0	0	0	0	0	0	0

A 1 in any of these bit positions indicates that:

- OCF** The device has seen the output current rise above the level set by IOUT\_OC\_FAULT\_LIMIT. This bit is writeable to clear and the EEPROM bit is for SMBALERT\_MASK.
- OCW** The device has seen the output current rise above the level set by IOUT\_OC\_WARN\_LIMIT. This bit is writeable to clear and the EEPROM bit is for SMBALERT\_MASK.

### 7.5.38 STATUS\_INPUT (7Ch)

The STATUS\_INPUT command returns one byte of information relating to the status of the input-related faults of the converter.

COMMAND	STATUS_INPUT							
Format	Unsigned binary							
Bit Position	7	6	5	4	3	2	1	0
Access	r	r	r	r	r/w <sup>E</sup>	r	r	r
Function	X	X	X	X	LOW_Vin	X	X	X
Default Value	0	0	0	0	1	0	0	0

A 1 in any of these bit positions indicates that:

- LOW\_Vin** The unit is off because of insufficient input voltage. The bit sets when the unit powers up and stays set until the first time VIN exceeds VIN\_ON. During the initial power up, LOW\_Vin is not latched and does not trigger SMBALERT. Once VIN does exceed VIN\_ON for the first time, any subsequent VIN < VIN\_OFF events are latched, trigger SMBALERT. This bit is writeable to clear and the EEPROM bit is for SMBALERT\_MASK.

### 7.5.39 STATUS\_TEMPERATURE (7Dh)

The STATUS\_TEMPERATURE command returns one byte of information relating to the status of the internal temperature related faults.

COMMAND	STATUS_TEMPERATURE							
Format	Unsigned binary							
Bit Position	7	6	5	4	3	2	1	0
Access	r/w <sup>E</sup>	r/w <sup>E</sup>	r	r	r	r	r	r
Function	OTF	OTW	X	X	X	X	X	X
Default Value	0	0	0	0	0	0	0	0

A 1 in any of these bit positions indicates that:

**OTF** The measured internal temperature value of READ\_TEMPERATURE\_1 is equal to or greater than the level set by [OT\\_FAULT\\_LIMIT](#). This bit is writeable to clear and the EEPROM bit is for SMBALERT\_MASK. However, once cleared, the bit is set again unless the value in READ\_TEMPERATURE\_1 has fallen 20°C from the OT\_FAULT\_LIMIT.

**OTW** The measured internal temperature value of READ\_TEMPERATURE\_1 is equal to or greater than the level set by [OT\\_WARN\\_LIMIT](#). This bit is writeable to clear and the EEPROM bit is for SMBALERT\_MASK. However, once cleared, the bit is set again unless the value in READ\_TEMPERATURE\_1 has fallen 20°C from the OT\_WARN\_LIMIT.

### 7.5.40 STATUS\_CML (7Eh)

The STATUS\_CML command returns one byte of information relating to the status of the communication-related faults of the converter.

COMMAND	STATUS_CML							
Format	Unsigned binary							
Bit Position	7	6	5	4	3	2	1	0
Access	r/w <sup>E</sup>	r/w <sup>E</sup>	r/w <sup>E</sup>	r/w <sup>E</sup>	r	r	r/w <sup>E</sup>	r
Function	ivc	ivd	pec	mem	X	X	oth	X
Default Value	0	0	0	0	0	0	0	0

A 1 in any of these bit positions indicates that:

**ivc** An invalid or unsupported command has been received. This bit is writeable to clear and the EEPROM bit is for SMBALERT\_MASK.

**ivd** An invalid or unsupported data has been received. This bit is writeable to clear and the EEPROM bit is for SMBALERT\_MASK.

**pec** A packet error check failed. This bit is writeable to clear and the EEPROM bit is for SMBALERT\_MASK.

**mem** A fault has been detected with the internal memory. This bit is writeable to clear and the EEPROM bit is for SMBALERT\_MASK.

**oth** Some other communication fault or error has occurred. This bit is writeable to clear and the EEPROM bit is for SMBALERT\_MASK.

### 7.5.41 STATUS\_MFR\_SPECIFIC (80h)

The STATUS\_MFR\_SPECIFIC command returns one byte of information relating to the status of manufacturer-specific faults or warnings.

COMMAND	STATUS_MFR_SPECIFIC							
Format	Unsigned binary							
Bit Position	7	6	5	4	3	2	1	0
Access	r/w <sup>E</sup>	r	r	r/w <sup>E</sup>	r	r	r	r
Function	otf_bg	illzero	illmany1s	iv_ppv1	iv_ppv0	0	is_Slave	sync_ft

COMMAND	STATUS_MFR_SPECIFIC							
Default Value	0	0	0	0	0	0	0	0

A 1 in any of these bit positions indicates that:

- otf\_bg** The internal temperature from bandgap is above the thermal shutdown (TSD) fault threshold. This bit is writeable to clear and the EEPROM bit is for SMBALERT\_MASK.
- illzero** The operation FSM has hit an illegal *ZERO* state. The FSM is a one-step implementation, so all zeros in the state is illegal and should never occur. This event is informational only and would not trigger SMBALERT.
- illmany1s** The operation FSM for has hit an illegal *more than one hot* state. The FSM is a one-hot implementation, so a state where multiple state bits are HI is illegal and should never occur. This event is informational only and would not trigger SMBALERT.
- iv\_ppv1** The ADDR1 detection fails to resolve 4 consecutive values. To avoid initial turnon events from clearing this condition and the user not being aware why the default ADDR1 value was used, this bit is only clearable through the CLEAR\_FAULTS command or writing a logic 1 to this bit, essentially off and on events do not clear it as with the other standard status bits. This condition will trigger SMBALERT.
- iv\_ppv0** The ADDR0 detection fails.
- syncflt** A synchronization fault. This could be because (a) Clock slave: an expected external SYNC was never present; or present, then lost, or (b) Clock master: an internal SYNC signal is not sensed on the SYNC pin. This bit is a live (essentially, unlatched) indicator. This event is informational only and would not trigger SMBALERT. This bit will always read 0 if the DIS\_SYNC\_FLT bit is set.

### 7.5.42 READ\_VOUT (8Bh)

The READ\_VOUT commands returns two bytes of data in the linear data format that represent the output voltage of the converter. The output voltage is sensed at the remote sense amplifier output pin so voltage drop to the load is not accounted for. The data format is as shown below:

COMMAND	READ_VOUT															
Format	Linear, two's complement binary															
Bit Position	7	6	5	4	3	2	1	0	7	6	5	4	3	2	1	0
Access	r	r	r	r	r	r	r	r	r	r	r	r	r	r	r	r
Function	Mantissa															
Default Value	0	0	0	0	0	0	0	0	0	0	0	0	0	0	0	0

#### 7.5.42.1 Exponent

Value fixed at 10111, Exponent for linear mode values is –9 (equivalent of 1.95 mV/count, specified in the VOUT\_MODE command).

#### 7.5.42.2 Mantissa

Use [Equation 12](#) to calculate the output voltage.

$$V_{OUT} = \text{Mantissa} \times 2^{\text{Exponent}} \quad (12)$$

### 7.5.43 READ\_IOUT (8Ch)

The READ\_IOUT commands returns two bytes of data in the linear data format that represent the output current of the converter. The average output current is sensed according to the method described in [Low-Side MOSFET Current Sensing and Overcurrent Protection](#). The data format is as shown below:

COMMAND	READ_IOUT															
Format	Linear, two's complement binary															
Bit Position	7	6	5	4	3	2	1	0	7	6	5	4	3	2	1	0
Access	r	r	r	r	r	r	r	r	r	r	r	r	r	r	r	r

COMMAND	READ_IOUT															
Function	Exponent					Mantissa										
Default Value	1	1	1	0	0	0	0	0	0	0	0	0	0	0	0	0

The device scales the output current before it reaches the internal analog to digital converter so that resolution of the output current read is 62.5 mA. The maximum value that can be reported is 40 A. The user must set the `IOUT_CAL_OFFSET` parameter correctly to obtain accurate results. Use Equation 13 to calculate the output current.

$$I_{OUT} = \text{Mantissa} \times 2^{\text{Exponent}} \quad (13)$$

#### 7.5.43.1 Exponent

default: 11100 (binary) -4 (decimal) (62.5 mA LSB)

These default settings are not programmable.

#### 7.5.43.2 Mantissa

The lower 10 bits are the result of the ADC conversion of the average output current, as indicated by the output of the internal current sense amplifier. The 11th bit is fixed at 0 because only positive numbers are considered valid. Any computed negative current is reported as 0 A.

#### 7.5.44 READ\_TEMPERATURE\_1 (8Dh)

The `READ_TEMPERATURE_1` command returns the internal die temperature in degrees Celsius.

COMMAND	READ_TEMPERATURE_1															
Format	Linear, two's complement binary															
Bit Position	7	6	5	4	3	2	1	0	7	6	5	4	3	2	1	0
Access	r	r	r	r	r	r	r	r	r	r	r	r	r	r	r	r
Function	Exponent					Mantissa										

#### 7.5.44.1 Exponent

default: 00000 (binary) 0 (decimal)

These default settings are not programmable.

#### 7.5.44.2 Mantissa

The lower 11 bits are the result of the ADC conversion of the external temperature.

#### 7.5.45 PMBUS\_REVISION (98h)

The `PMBUS_REVISION` command returns a single, unsigned binary byte that indicates that these devices are compatible with the 1.3 revision of the PMBus specification (Part I and Part II).

COMMAND	PMBUS_REVISION							
Format	Unsigned binary							
Bit Position	7	6	5	4	3	2	1	0
Access	r	r	r	r	r	r	r	r
Default Value	0	0	1	1	0	0	1	1

#### 7.5.46 IC\_DEVICE\_ID (ADh)

The `IC_DEVICE_ID` command is a read-only block-read command that returns a single word (16 bits) with the unique device-code identifier for each device for which this device can be configured. The `BYTE_COUNT` field in the block read command is 2 (indicating 2 bytes follow): low byte first, high byte second.

COMMAND	IC_DEVICE_ID
Format	Linear, binary

COMMAND	IC_DEVICE_ID															
Bit Position	7	6	5	4	3	2	1	0	7	6	5	4	3	2	1	0
Access	r	r	r	r	r	r	r	r	r	r	r	r	r	r	r	r
Default Value	See below															

The default for the device identifier code is 4623h – Code Identifier for TPSM846C23.

### 7.5.47 IC\_DEVICE\_REV (AEh)

The IC\_DEVICE\_REV command is a read-only block-read command that returns a single word (16 bits) with the unique Device revision identifier. The DEVICE\_REV starts at 0 with the first silicon and is incremented with each subsequent silicon revision. The BYTE\_COUNT field in the Block Read command is 2 (indicating 2 bytes follow): low byte first, high byte second.

COMMAND	IC_DEVICE_REV															
Format	Linear, tbinary															
Bit Position	7	6	5	4	3	2	1	0	7	6	5	4	3	2	1	0
Access	r	r	r	r	r	r	r	r	r	r	r	r	r	r	r	r
Default Value	See below															

The default of the device identifier code is 0001b.

### 7.5.48 MFR\_SPECIFIC\_00 (D0h)

The MFR\_SPECIFIC\_00 command is dedicated as a user scratch pad. Only the lower 8 bits are writeable for users. This is a read word command, with only the lower 8 bits accessible. This command is not a read byte command. The contents of this register can be stored to nonvolatile memory using the [STORE\\_DEFAULT\\_ALL](#) command.

COMMAND	MFR_SPECIFIC_00															
Format	Unsigned binary															
Bit Position	7	6	5	4	3	2	1	0	7	6	5	4	3	2	1	0
Access	r	r	r	r	r	r	r	r	r/W <sup>E</sup>	r/W <sup>E</sup>	r/W <sup>E</sup>	r/W <sup>E</sup>	r/W <sup>E</sup>	r/W <sup>E</sup>	r/W <sup>E</sup>	r/W <sup>E</sup>
Function	User scratch pad															
Default Value	0	0	0	0	0	0	0	0	0	0	0	0	0	0	0	0

### 7.5.49 VREF\_TRIM (MFR\_SPECIFIC\_04) (D4h)

The VREF\_TRIM command applies a fixed offset voltage to the Error Amplifier reference (EA\_REF) voltage. It is most typically used to trim the output voltage at the time the PMBus device is assembled into the end user's system. The contents of this register can be stored to nonvolatile memory using the [STORE\\_DEFAULT\\_ALL](#) command.

For loop slave device, this command cannot be accessed. Any writes to this command will be ignored. An attempt to read or write this command will result in a NACK'd command, the reporting of an IVC fault, and triggering of SMB\_ALERT.

The settings of the [VOUT\\_MODE](#) command determine the effect of VREF\_TRIM command. In this device, the [VOUT\\_MODE](#) is fixed to Linear with an exponent of –9 (decimal).

$$EA\_REF = [(VOUT\_COMMAND \times VOUT\_SCALE\_LOOP) + (VREF\_TRIM + STEP\_VREF\_MARGIN\_HIGH \times OPERATION[5] + STEP\_VREF\_MARGIN\_LOW \times OPERATION[4])] \times 1.953 \text{ mV} \quad (14)$$

The maximum trim ranges between –64\*1.953 mV to +63\*1.953 mV in 1.953-mV steps.

If a value outside this range is given with this command, the device sets the reference voltage to the upper or lower limit depending on the direction of the setting, asserts SMBALERT and sets the CML bit in [STATUS\\_BYTE](#) and the invalid data bit in [STATUS\\_CML](#).

The value of EA\_REF including VREF\_TRIM is also limited by the values of VOUT\_MAX, VOUT\_MIN, VOUT\_COMMAND, VOUT\_SCALE\_LOOP and STEP\_VREF\_MARGIN\_HIGH/LOW. See VOUT\_MAX and VOUT\_MIN for additional details.

The EA\_REF voltage transition occurs at the rate determined by the current state:



- Soft-Start: [TON\\_RISE](#) command
- Steady-State: [VOUT\\_TRANSITION\\_RATE](#) command
- TOFF\_DELAY: [VOUT\\_TRANSITION\\_RATE](#) command
- Soft-Stop: [TOFF\\_FALL](#) command

The VREF\_TRIM has two data bytes formatted as two's complement binary integer and can have positive and negative values.

COMMAND	VREF_TRIM															
Format	Linear, two's complement binary															
Bit Position	7	6	5	4	3	2	1	0	7	6	5	4	3	2	1	0
Access	r/w <sup>E</sup>	r	r	r	r	r	r	r	r	r	r/w <sup>E</sup>	r/w <sup>E</sup>	r/w <sup>E</sup>	r/w <sup>E</sup>	r/w <sup>E</sup>	r/w <sup>E</sup>
Function	High Byte								Low Byte							
Default Value	0	0	0	0	0	0	0	0	0	0	0	0	0	0	0	0

High Byte:

- default: 0000 0000 (binary) 0 (decimal)
- Minimum: 1111 1111 (binary) (sign extended)
- Maximum: 0000 0000 (binary) (sign extended)

Low Byte:

- default: 0000 0000 (binary) 0 (decimal)
- Minimum: 1100 0000 (binary) –64 (decimal) (–125 mV) (sign extended, two's complement)
- Maximum: 0011 1111 (binary) 63 (decimal) (123 mV)

### 7.5.50 STEP\_VREF\_MARGIN\_HIGH (MFR\_SPECIFIC\_05) (D5h)

The STEP\_VREF\_MARGIN\_HIGH command, specifying a positive offset voltage on EA\_VREF, is used to increase the reference voltage by shifting the reference higher. When the [OPERATION](#) command is set to *Margin High*, the output will increase by the voltage indicated by this command.

For loop slave device, this command cannot be accessed. Any writes to this command will be ignored. An attempt to read or write this command will result in a NACK'd command, the reporting of an IVC fault, and triggering of SMB\_ALERT.

The effect of this command is determined by the settings of the [VOUT\\_MODE](#) command. In this device, the [VOUT\\_MODE](#) is fixed to Linear with an exponent of –9 (decimal). The actual reference voltage commanded by a margin high command can be found in [Equation 14](#).

The margin high range is between 0 and  $31 \times 1.953$  mV in 1.953-mV steps.

If a value outside this range is given with this command, the device sets the reference voltage to the upper or lower limit depending on the direction of the setting, asserts SMBALERT and sets the CML bit in [STATUS\\_BYTE](#) and the invalid data bit in [STATUS\\_CML](#).

The value of EA\_REF including STEP\_VREF\_MARGIN\_HIGH is also limited by the values of VOUT\_MAX, VOUT\_MIN, VOUT\_COMMAND, VOUT\_SCALE\_LOOP and VREF\_TRIM. See VOUT\_MAX and VOUT\_MIN for additional details.

The EA\_REF voltage transition occurs at the rate determined by the current state:

- Soft-Start: [TON\\_RISE](#) command
- Steady-State: [VOUT\\_TRANSITION\\_RATE](#) command
- TOFF\_DELAY: [VOUT\\_TRANSITION\\_RATE](#) command
- Soft-Stop: [TOFF\\_FALL](#) command

COMMAND	STEP_VREF_MARGIN_HIGH															
Format	Linear, two's complement binary															
Bit Position	7	6	5	4	3	2	1	0	7	6	5	4	3	2	1	0
Access	r	r	r	r	r	r	r	r	r	r	r	r/w	r/w	r/w	r/w	r/w
Function	High Byte								Low Byte							

High Byte:

default: 0000 0000 (binary) 0 (decimal)

Low Byte:

Minimum: 0000 0000 (binary) 0 (decimal) (0 mV)

Maximum: 0001 1111 (binary) 31 (decimal) (60.5 mV)

The read-writeable bits in this register do NOT have direct EEPROM backup; however, the register does restore to one of two configurable values as determined by RSMHI\_VAL in (E5h) MFR\_SPECIFIC\_21 (OPTIONS).

- RSMHI\_VAL = 0: STEP\_VREF\_MARGIN\_HIGH will restore to 0009h (9 decimal or 17.6 mV).
- RSMHI\_VAL = 1: STEP\_VREF\_MARGIN\_HIGH will restore to 000fh (15 decimal or 29.3 mV).

### 7.5.51 STEP\_VREF\_MARGIN\_LOW (MFR\_SPECIFIC\_06) (D6h)

The STEP\_VREF\_MARGIN\_LOW command, specifying a negative offset voltage on EA\_VREF, is used to decrease the reference voltage by shifting the reference lower. When the OPERATION command is set to *Margin Low*, the output will decrease by the voltage indicated by this command.

For loop slave device, this command cannot be accessed. Any writes to this command will be ignored. An attempt to read or write this command will result in a NACK'd command, the reporting of an IVC fault, and triggering of SMB\_ALERT.

The effect of this command is determined by the settings of the VOUT\_MODE command. In this device, the VOUT\_MODE is fixed to Linear with an exponent of –9 (decimal). The actual reference voltage commanded by a margin low command can be found in Equation 14.

The margin low range is between  $-64 \times 1.953$  mV and  $-1 \times 1.953$  mV in 1.953-mV steps.

If a value outside this range is given with this command, the device sets the reference voltage to the upper or lower limit depending on the direction of the setting, asserts SMB\_ALERT and sets the CML bit in STATUS\_BYTE and the invalid data bit in STATUS\_CML.

The value of EA\_REF including STEP\_VREF\_MARGIN\_LOW is also limited by the values of VOUT\_MAX, VOUT\_MIN, VOUT\_COMMAND, VOUT\_SCALE\_LOOP and VREF\_TRIM. See VOUT\_MAX and VOUT\_MIN for additional details.

The EA\_REF voltage transition occurs at the rate determined by the current state:

- Soft-Start: TON\_RISE command
- Steady-State: VOUT\_TRANSITION\_RATE command
- TOFF\_DELAY: VOUT\_TRANSITION\_RATE command
- Soft-Stop: TOFF\_FALL command

COMMAND	STEP_VREF_MARGIN_LOW															
Format	Linear, two's complement binary															
Bit Position	7	6	5	4	3	2	1	0	7	6	5	4	3	2	1	0
Access	r/w	r	r	r	r	r	r	r	r	r	r/w	r/w	r/w	r/w	r/w	r/w
Function	High Byte								Low Byte							

High Byte:

default: 1111 1111 (binary) (MSB is sign bit, sign extended)

Low Byte:

Minimum: 1100 0000 (binary) –64 (decimal) (–125 mV)

Maximum: 1111 1111 (binary) –1 (decimal) (–2 mV)

The read-writeable bits in this register do NOT have direct EEPROM backup; however, the register does restore to one of two configurable values as determined by RSMLO\_VAL in (E5h) MFR\_SPECIFIC\_21 (OPTIONS).

- RSMLO\_VAL = 0: STEP\_VREF\_MARGIN\_LOW will restore to fff7h (–9 decimal or –17.6 mV)
- RSMLO\_VAL = 1: STEP\_VREF\_MARGIN\_LOW will restore to fff1h (–15 decimal or –29.3 mV)

### 7.5.52 PCT\_OV\_UV\_WRN\_FLT\_LIMITS (MFR\_SPECIFIC\_07) (D7h)

The PCT\_OV\_UV\_WRN\_FLT\_LIMITS command is used to set the PGOOD, VOUT\_UNDER\_VOLTAGE (UV) and VOUT\_OVER\_VOLTAGE (OV) limits as a percentage of nominal.

For loop slave device, this command cannot be accessed. Any writes to this command will be ignored. An attempt to read or write this command will result in a NACK'd command, the reporting of an IVC fault, and triggering of SMB\_ALERT.

The PCT\_OV\_UV\_WRN\_FLT\_LIMITS takes a one byte data formatted as shown below:

COMMAND	PCT_OV_UV_WRN_FLT_LIMITS							
Format	Unsigned binary							
Bit Position	7	6	5	4	3	2	1	0
Access	r	r	r	r	r	r	r/w <sup>E</sup>	r/w <sup>E</sup>
Function	X	X	X	X	X	X	PCT_MSB	PCT_LSB
Default Value	0	0	0	0	0	0	0	0

The PGOOD, VOUT\_UNDER\_VOLTAGE (UV) and VOUT\_OVER\_VOLTAGE (OV) settings are shown in [Table 16](#), as a percentage of nominal reference voltage on the FB pin.

**Table 16. OV/UV Protection Settings (Typical Values)**

PCT_MSB	PCT_LSB	UV FAULT	UV WARN	OV WARN	OV FAULT	UNIT
0	0	-83%	-88%	112%	117%	EA_REF
0	1	-88%	-90%	110%	112%	EA_REF
1	0	-72%	-78%	112%	117%	EA_REF
1	1	-58%	-64%	112%	117%	EA_REF

The PGOOD pin may trip if the output voltage is too high (using OV WARN) or too low (using UV WARN). Additionally, the PGOOD pin has hysteresis. When the OV WARN output voltage OV WARN is tripped, the FB voltage must lower below the 105% of EA\_REF, before PGOOD is reset. Likewise, when output voltage UV WARN is tripped, the FB voltage must rise above 95% of EA\_REF, before PGOOD is reset.

### 7.5.53 OPTIONS (MFR\_SPECIFIC\_21) (E5h)

The OPTIONS register can be used for setting user selectable options, as shown below. The contents of this register can be stored to nonvolatile memory using the [STORE\\_DEFAULT\\_ALL](#) command.

COMMAND	OPTIONS															
Format	Unsigned binary															
Bit Position	7	6	5	4	3	2	1	0	7	6	5	4	3	2	1	0
Access	r	r/w <sup>E</sup>	r/w <sup>E</sup>	r/w <sup>E</sup>	r/w <sup>E</sup>	r/w <sup>E</sup>	r/w	r/w <sup>E</sup>	r/w <sup>E</sup>	r/w <sup>E</sup>	r/w <sup>E</sup>	r/w	r/w	r/w <sup>E</sup>	r/w <sup>E</sup>	r/w <sup>E</sup>
Function	X	RSMHI_VAL	RSMLO_VAL	x	RST_VOUT_oSD	x	READ_VOUT_RANGE[1:0]	EN_AUTO_ARA	AVG_PROG[1:0]	DLO	VSM	EN_ADC_CNTL	EN_RESET_B	DIS_NEGILIM		
Default Value	0	0	0	1	0	0	0	0	1	0	0	0	0	1	0	0

#### 7.5.53.1 DIS\_NEGILIM Bit

When set, this bit disables the negative current limit protection on the LFET.

#### 7.5.53.2 EN\_RESET\_B Bit

When set, this bit enables the RESET\_B functionality of the  $\overline{\text{RESET}}/\text{PGD}$  pin.

BIT VALUE	ACTION
0	$\overline{\text{RESET}}/\text{PGD}$ pin = PGOOD
1	$\overline{\text{RESET}}/\text{PGD}$ pin = RESET_B

### 7.5.53.3 EN\_ADC\_CNTL Bit

This bit enables ADC operation used for voltage, current and temperature monitoring.

BIT VALUE	ACTION
0	Disable ADC operation
1	Enable ADC operation

#### NOTE

The EN\_ADC\_CNTL bit must be set to enable output voltage, current and temperature telemetry. When the EN\_ADC\_CNTL bit is zero, the [READ\\_VOUT](#), [READ\\_IOUT](#) and [READ\\_TEMPERATURE\\_2](#) registers do not update continuously, and retain the previous values from the last time EN\_ADC\_CNTL was set.

### 7.5.53.4 VSM Bit

This bit configures the measurement system for fast,  $V_{OUT}$ -only measurement mode. Setting this bit disables READ\_IOUT, and READ\_TEMPERATURE\_1, and instead allows the device to update READ\_VOUT more frequently. This bit does not have EEPROM backup.

BIT VALUE	ACTION
0	Measure $V_{OUT}$ , temperature, and $I_{OUT}$
1	Measure only $V_{OUT}$

#### NOTE

For READ\_VOUT, multiple samples (defined by [AVG\\_PROG\[1:0\] Bits](#)) are obtained and averaged. When entering and exiting VSM mode, the first calculated result could lose one sample, for example, 7 sampled value but averaged by 8, resulting the first updated READ\_VOUT data point have worst case error about 1/8 of the nominal value.

### 7.5.53.5 DLO Bit

This bit allows bypassing the normal valid data checks on register writes. This feature is included for flexibility during debug to quickly generate fault conditions and/or possibly work around any data limit protection mechanisms prohibiting output voltage programming. This bit does not have EEPROM backup.

BIT VALUE	ACTION
0	Normal PMBus data write restrictions
1	Data write restrictions are overridden for the following registers: SMBALERT_MASK, VOUT_COMMAND, VOUT_SCALE_LOOP, VREF_TRIM, STEP_VREF_MARGIN_HIGH, STEP_VREF_MARGIN_LOW, IOUT_OC_FAULT_LIMIT, IOUT_OC_WARN_LIMIT, OT_FAULT_LIMIT, OT_WARN_LIMIT, VOUT_MIN, VOUT_MAX, VIN_ON, VIN_OFF, and OPERATION.

#### NOTE

**CAUTION:** Users should use this bit with extreme caution. Setting this bit allows invalid data conditions to be programmed into the device which can lead to damage. Invalid data written into any register when DLO is enabled does NOT set the IVD bit; nor trigger SMBALERT. The invalid data is simply allowed to be programmed. Furthermore, invalid data programmed into a command/status register while DLO is enabled, does not trigger SMBALERT upon deassertion of DLO. So, it is possible to exit DLO mode with invalid data in command/status registers. Use with extreme caution.

### 7.5.53.6 AVG\_PROG[1:0] Bits

These bits configure programmable digital measurement averaging. Bits provide programmable averaging for current (READ\_IOUT), temperature (READ\_TEMPERATURE\_1), and voltage (READ\_VOUT). The default (00b) yields 16x averaging for all three parameters; however, this default can be changed and stored in EEPROM, if necessary. The programming options are as follows:

BIT VALUE	ACTION
00	Accumulating Averaging = 16x
01	Accumulating Averaging = 0x. Use this setting to bypass the averagers. Every sample from measurement system updates corresponding READ_XXX CSR.
10	Accumulating Averaging = 8x
11	Accumulating Averaging = 32x

### 7.5.53.7 EN\_AUTO\_ARA Bit

This bit enables auto-alert response address response. When this feature is enabled, and after the device has successfully responded to an ARA transaction, the hardware automatically masks any fault source currently set from reasserting SMBALERT. This prevents PMBus *bus hogging* in the case of a persistent fault in a device that consistently wins ARA arbitration because of the device address. In contrast, when this bit is cleared, immediate reassertion of SMBALERT is allowed in the event of a persistent fault and the responsibility is upon the host to mask each source individually.

### 7.5.53.8 READ\_VOUT\_RANGE[1:0] Bits

The ADC input voltage range is limited to 0.9 V. For READ\_VOUT, the output voltage is divided down before input to ADC. Large signal amplitude gives better signal-to-noise ratio. The READ\_VOUT\_RANGE[1:0] bits are used to force the input voltage divider of the internal ADC for output voltage measurement to one of the 3 possible values.

VOUT_SCALE_LOOP	READ_VOUT_RANGE[1:0]	OUT
1	00b	1/2 IN
x	11b	
0.5	00b	1/4 IN
x	10b	
0.25	00b	1/8 IN
x	01b	

### 7.5.53.9 RST\_VOUT\_oSD Bit

When set high, this bit is used to force VOUT\_COMMAND to the default value upon any shutdown or fault condition:

- FAULT with programmed shutdown response
- FAULT with programmed restart response
- Normal, controlled shutdown (e.g. CNTL pin)
- LOW\_VIN

### 7.5.53.10 RSMLO\_VAL Bit

The restore step-margin low-value (RSMLO\_VAL) bit is used to configure the default restore value for (D6h) MFR\_SPECIFIC\_06 (STEP\_VREF\_MARGIN\_LOW).

BIT VALUE	ACTION
0	STEP_VREF_MARGIN_LOW will restore to fff7h (–9 decimal or –17.6 mV)
1	STEP_VREF_MARGIN_LOW will restore to fff1h (–15 decimal or –29.3 mV)

### 7.5.53.11 RSMHI\_VAL Bit

This restore step margin high value (RSMHI\_VAL) bit is used to configure the default restore value for (D5h) MFR\_SPECIFIC\_05 (STEP\_VREF\_MARGIN\_HIGH).

BIT VALUE	ACTION
0	STEP_VREF_MARGIN_HIGH will restore to 0009h (9 decimal or 17.6 mV)
1	STEP_VREF_MARGIN_HIGH will restore to 000fh (15 decimal or 29.3 mV)

### 7.5.54 MISC\_CONFIG\_OPTIONS (MFR\_SPECIFIC\_32) (F0h)

This user-accessible register is used for miscellaneous options, as shown below. The contents of this register can be stored to nonvolatile memory using the [STORE\\_DEFAULT\\_ALL](#) command.

COMMAND	MISC_CONFIG_OPTIONS															
Format	Unsigned binary															
Bit Position	7	6	5	4	3	2	1	0	7	6	5	4	3	2	1	0
Access	r	r	r	r	r	r	r	r/w <sup>E</sup>	r/w <sup>E</sup>	r/w <sup>E</sup>	r	r/w <sup>E</sup>	r	r/w <sup>E</sup>	r/w <sup>E</sup>	r/w <sup>E</sup>
Function	X	X	X	X	X	X	X	SYNC_FAULT_DIS	FORCE_SYNC_IN	FORCE_SYNC_OUT	X	EN_AVS_USER	X	HSOC_USER_TRIM[1:0]		OV_RESP_SEL
Default Value	0	0	0	0	0	0	0	1	1	0	0	1	0	0	1	1

#### 7.5.54.1 OV\_RESP\_SEL Bit

This bit selects between two options for low-side FET behavior after an output overvoltage fault condition. Regardless of the setting of this bit, the low-side FET latches on when an output OV fault is detected (if the OV\_FAULT\_RESPONSE is not programmed to *ignore*).

BIT VALUE	ACTION
0	The low-side FET remains on until either the part initiates a new startup of the output voltage or the CLEAR_FAULTS command is given while the part is in the <i>DISABLE</i> operational state
1	The low-side FET turns off as soon as the sensed output (at FB pin) drops below 0.2 V.

#### 7.5.54.2 HSOC\_USER\_TRIM[1:0] Bits

These trim bits are provided so the user can adjust the HSOC threshold to account for the application-specific requirements for input-voltage sensing parasitics and component-current handling. The bit settings are defined as follows:

BIT VALUE	ACTION
00	HSOC change from default = 0
01	HSOC change from default = 12.5%
10	HSOC change from default = -25%
11	HSOC change from default = -12.5%

#### 7.5.54.3 EN\_AVS\_USER Bit

Setting this bit high is required enabling the COMP-level shifter that eliminates overshoot and undershoot of  $V_{OUT}$  when the reference is ramped. The value of this bit is latched when the driver is enabled to switch which prevents the user from enabling or disabling the level shifter while the output is switching.

#### 7.5.54.4 FORCE\_SYNC\_OUT Bit

This bit forces the device to output the free-running clock on the SYNC pin.

#### 7.5.54.5 FORCE\_SYNC\_IN Bit

This bit forces the device to be synchronized to an external PWM clock applied on the SYNC pin.

**7.5.54.6 SYNC\_FAULT\_DIS Bit**

When set, this bit disables any reporting (digital status) and response (analog and digital) to SYNC\_FAULT.

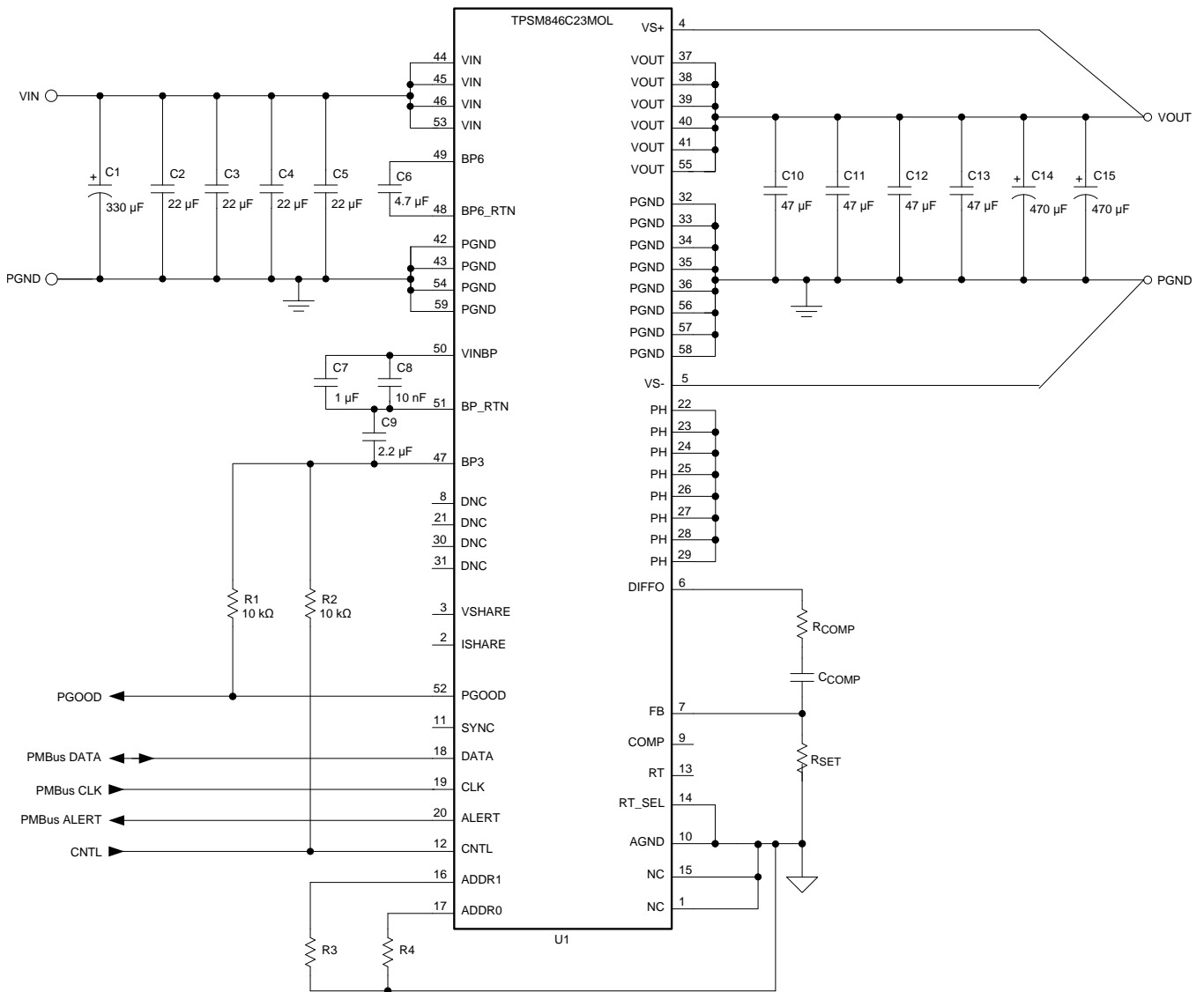
## 8 Application and Implementation

### 注

Information in the following applications sections is not part of the TI component specification, and TI does not warrant its accuracy or completeness. TI's customers are responsible for determining suitability of components for their purposes. Customers should validate and test their design implementation to confirm system functionality.

### 8.1 Typical Application

The TPSM846C23 is a highly integrated, synchronous step-down DC-DC power module that supports PMBus commands. The TPSM846C23 converts a higher DC-input voltage to a lower DC-output voltage, with a maximum output current of 35 A. Use the following design procedure to select key component values and set the appropriate behavioral options through the PMBus.



Copyright © 2017, Texas Instruments Incorporated

图 19. Typical Application Schematic



## Typical Application (接下页)

### 8.1.1 Design Requirements

For this design example, use the parameters listed in 表 17 and follow the [Detailed Design Procedure](#).

表 17. Design Parameters

DESIGN PARAMETER	VALUE
Input voltage $V_{IN}$	12 V typical
Output voltage $V_{OUT}$	1.2 V
Output current rating	35 A
Key care-about	PMBus control, small footprint, high efficiency, PGOOD signal

### 8.1.2 Detailed Design Procedure

#### 8.1.2.1 Custom Design With WEBENCH® Tools

[Click here](#) to create a custom design using the TPSM846C23 device with the WEBENCH® Power Designer.

1. Start by entering the input voltage ( $V_{IN}$ ), output voltage ( $V_{OUT}$ ), and output current ( $I_{OUT}$ ) requirements.
2. Optimize the design for key parameters such as efficiency, footprint, and cost using the optimizer dial.
3. Compare the generated design with other possible solutions from Texas Instruments.

The WEBENCH Power Designer provides a customized schematic along with a list of materials with real-time pricing and component availability.

In most cases, these actions are available:

- Run electrical simulations to see important waveforms and circuit performance
- Run thermal simulations to understand board thermal performance
- Export customized schematic and layout into popular CAD formats
- Print PDF reports for the design, and share the design with colleagues

Get more information about WEBENCH tools at [www.ti.com/WEBENCH](http://www.ti.com/WEBENCH).

#### 8.1.2.2 Setting the Output Voltage

The output voltage of the TPSM846C23 is designed to be set via the PMBus using the [VOUT\\_COMMAND \(21h\)](#).

$$VOUT\_COMMAND \text{ value} = (\text{desired } V_{OUT} \times 512) \quad (15)$$

To set the output voltage to 1.2 V, using [公式 15](#), the calculated VOUT\_COMMAND value is 614, which converted to hex is 266h. This value can be written to RAM using the VOUT\_COMMAND and saved as the new default value to non-volatile memory using the STORE\_DEFAULT\_ALL command.

The actual output voltage is also dependant on the value of [VOUT\\_SCALE\\_LOOP \(29h\)](#) and the presence of a resistor,  $R_{SET}$ . Because the desired output voltage is between 0.35 V and 1.65 V ( $VOUT\_SCALE\_LOOP = 1$ ), the  $R_{SET}$  resistor must be left open.

### 8.1.2.3 Input and Output Capacitance

The minimum required input capacitance network consists of four 22- $\mu$ F (or two 47- $\mu$ F) ceramic capacitors plus a 330- $\mu$ F bulk capacitor. The minimum required output capacitance network consists of four 47- $\mu$ F (or two 100- $\mu$ F) ceramic capacitors plus two 470- $\mu$ F, low ESR polymer capacitors. The combined ESR of the polymer capacitors must not be greater than 5 m $\Omega$ . Additional input and output capacitors can be added to improve ripple or transient response.

In this design example, the minimum required input and output capacitance is used.

### 8.1.2.4 Selecting the Compensation Components

The TPSM846C23 requires an external series resistor and capacitor compensation network to be connected between the DIFFO pin (pin 6) and the FB pin (pin 7). The value of these components is determined by the total amount of output capacitance.

In this design example, the value of  $R_{COMP}$  and  $C_{COMP}$  is selected from 表 3 based on the total amount of output capacitance of 1120  $\mu$ F.  $R_{COMP} = 1.0$  k $\Omega$  and  $C_{COMP} = 1000$  pF.

### 8.1.2.5 Setting the Switching Frequency

The TPSM846C23 is set to a default switching frequency of 500 kHz. To operate the TPSM846C23 at the default switching frequency, connect the RT\_SEL pin (pin 14) to AGND and the RT pin (pin 13) must be left open.

In this design example, the switching frequency is selected to operate at the default switching frequency of 500 kHz by connecting RT\_SEL pin to AGND, and the  $R_{RT}$  resistor is left open.

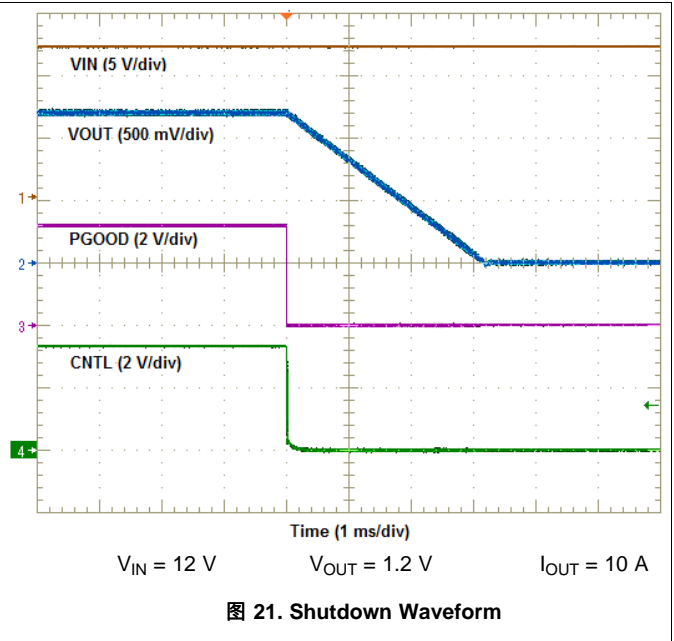
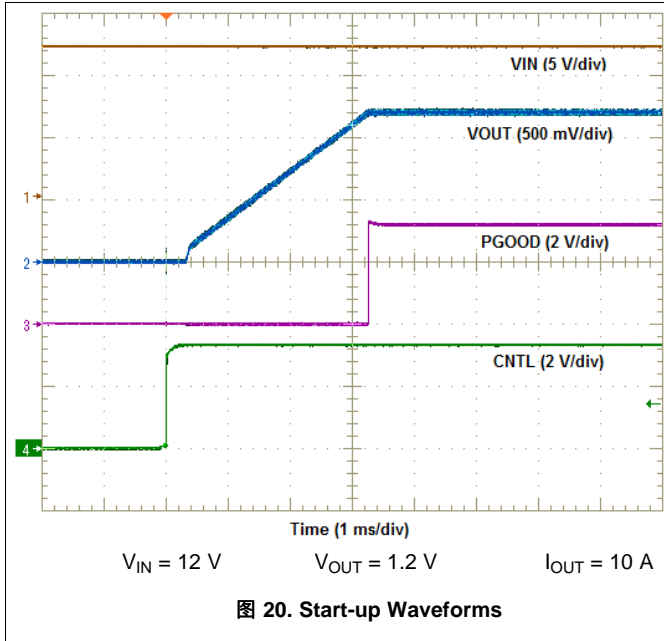
### 8.1.2.6 Power Good (PGOOD)

Applications requiring voltage rail sequencing can benefit from the PGOOD signal present with the TPSM846C23. The PGOOD pin is an open-drain output. When the output voltage is typically between 95% and 105% of the setpoint, the PGOOD pin pulldown is released, and the pin floats, requiring an external pullup resistor for a high signal. A 10-k $\Omega$  pullup resistor is placed between the PGOOD pin and the BP3 rail.

### 8.1.2.7 ON/OFF Control (CNTL)

The CNTL signal is an input signal on the PMBus. It is used to turn the power conversion function of the module on and off in conjunction with commands received over the bus. It can be configured as an active high or active low signal through the ON\_OFF\_CONFIG command. The CNTL signal is programmed at the factory to be an active high signal; that is, the CNTL pin must be pulled high for power conversion to occur. The CNTL pin requires an external pullup resistor for a high signal. A 10-k $\Omega$  pullup resistor is placed between the CNTL pin and the BP3 rail.

### 8.1.3 Application Curves



## 9 Power Supply Recommendations

The TPSM846C23 device is designed to operate from an input voltage supply between 4.5 V and 15 V. This supply must be well regulated. These devices are not designed for split-rail operation. Proper bypassing of input supplies and internal regulators is also critical for noise performance, as is PCB layout and grounding scheme. See the recommendations in [Layout](#).

## 10 Layout

### 10.1 Layout Guidelines

Layout is critical for good power-supply design. 图 22 和 图 23 show top-side and bottom-side PCB-layout configuration for recommended component placement. Additional power, ground and signal layers are present in any PCB design. A list of PCB layout considerations using these devices is listed as follows:

- Place the input bypass capacitors as close as physically possible to the VIN and PGND pins. Additionally, a high-frequency bypass capacitor on the VIN pins can help reduce switching spikes. Place this capacitor on the bottom side of the PCB directly underneath the device to keep a minimum loop.
- The BP6 bypass capacitor carries a large switching current for the gate driver. Bypassing the BP6 pin to BP6\_RTN with a low-impedance path is very critical to the stable operation of the TPSM846C23 device. Place the BP6 high-frequency bypass capacitor as close as possible to the device pins 48 and 49.
- The VINBP and BP3 pins also require good local bypassing. Place bypass capacitors as close as possible to the device pins and BP\_RTN. Poor bypassing on the VINBP and BP3 pins can degrade the performance of the device.
- Place signal components as close as possible to the pins to which they are connected. These components include the feedback resistors and the RT resistor. Keep these components from fast switching voltage and current paths. Terminate these components to AGND with a minimum return loop.
- Route the VS+ and VS– lines from the output capacitor bank at the load back to the device pins as a tightly coupled differential pair. These traces must be kept away from switching or noisy areas which can add differential-mode noise.
- Use caution when routing of the SYNC, VSHARE and ISHARE traces for parallel configurations. The SYNC trace carries a rail-to-rail signal and must be routed away from sensitive analog signals, including the VSHARE, ISHARE, RT, and FB signals. The VSHARE and ISHARE traces must also be kept away from fast switching voltages or currents formed by the VIN, PH, and BP6 pins.

### 10.2 Layout Example

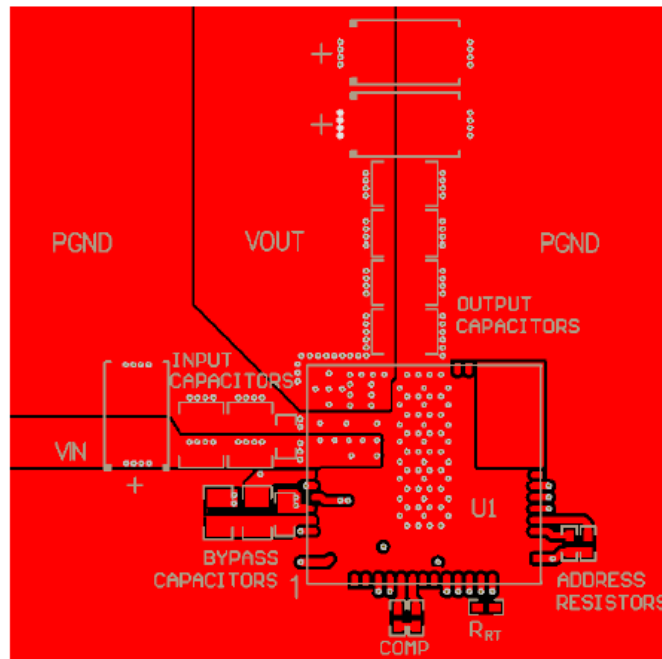
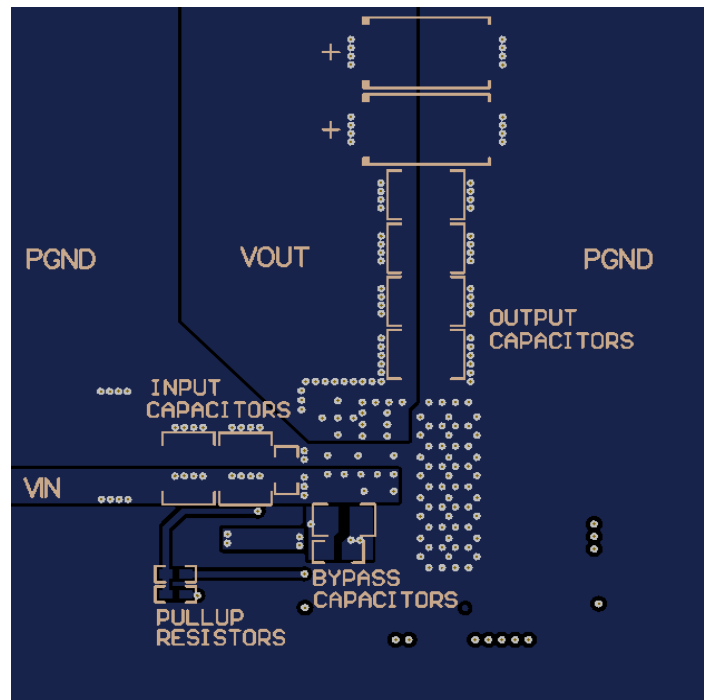


图 22. PCB Top-side Layout Recommendation

**Layout Example (接下页)**



**图 23. PCB Bottom-side Layout Recommendation**

### 10.3 Package Specifications

TPSM846C23		VALUE	UNIT
Weight		3.92	grams
Flammability	Meets UL 94 V-O		
MTBF Calculated Reliability	Per Bellcore TR-332, 50% stress, $T_A = 40^\circ\text{C}$ , ground benign	26.6	MHrs

### 10.4 EMI

The TPSM846C23 is compliant with EN55022 Class A radiated emissions. 图 24 到 图 27 show typical examples of radiated emissions plots for the TPSM846C23. The EMI plots were taken using the TPSM846C23 EVM with a resistive load and input power was provided using a lead acid battery. All graphs show plots of the antenna in the horizontal and vertical positions.

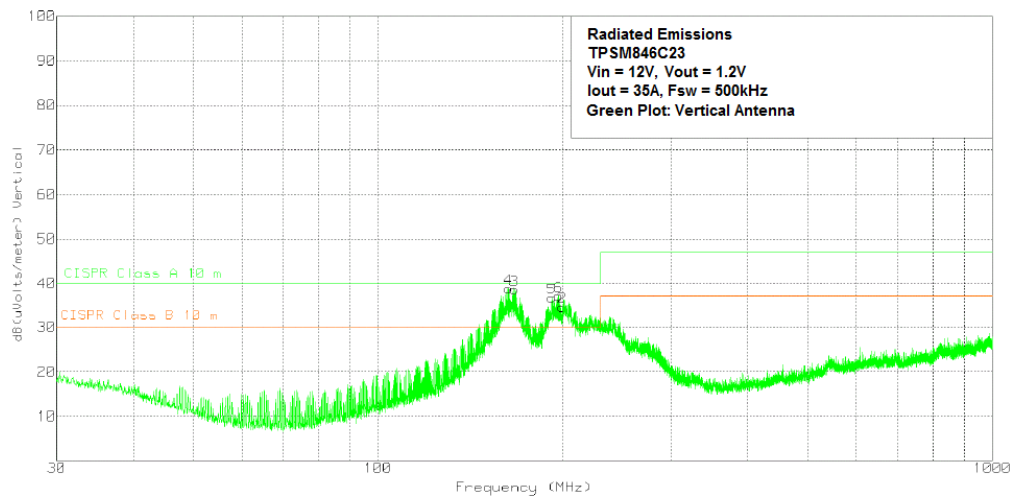


图 24. Radiated Emissions 12-V Input, 1.2-V Output, 35-A Load Vertical Antenna

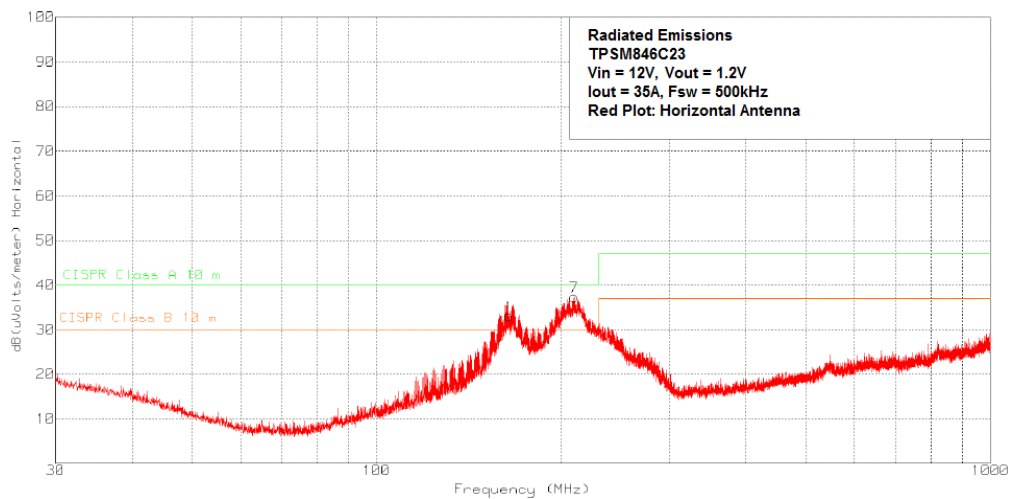


图 25. Radiated Emissions 12-V Input, 1.2-V Output, 35-A Load Horizontal Antenna

EMI (接下页)

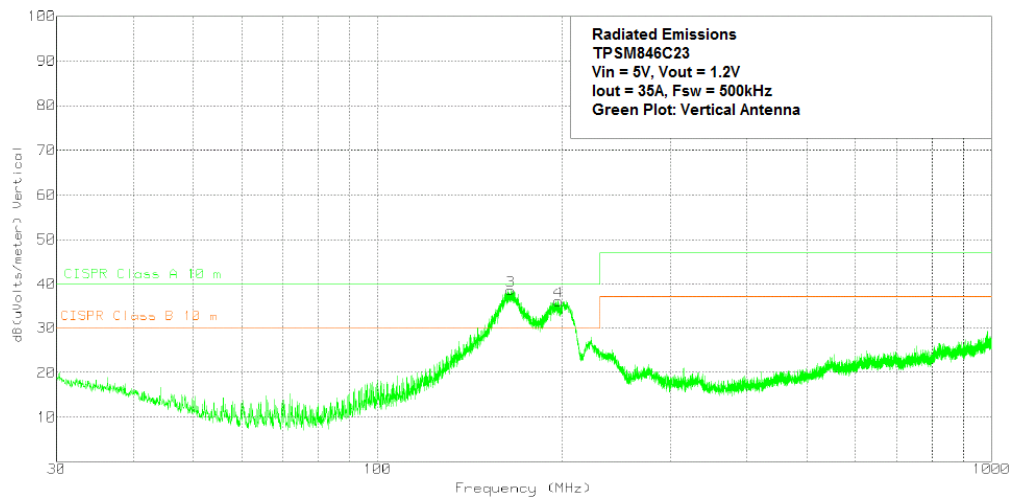


图 26. Radiated Emissions 5-V Input, 1.2-V Output, 35-A Load Vertical Antenna

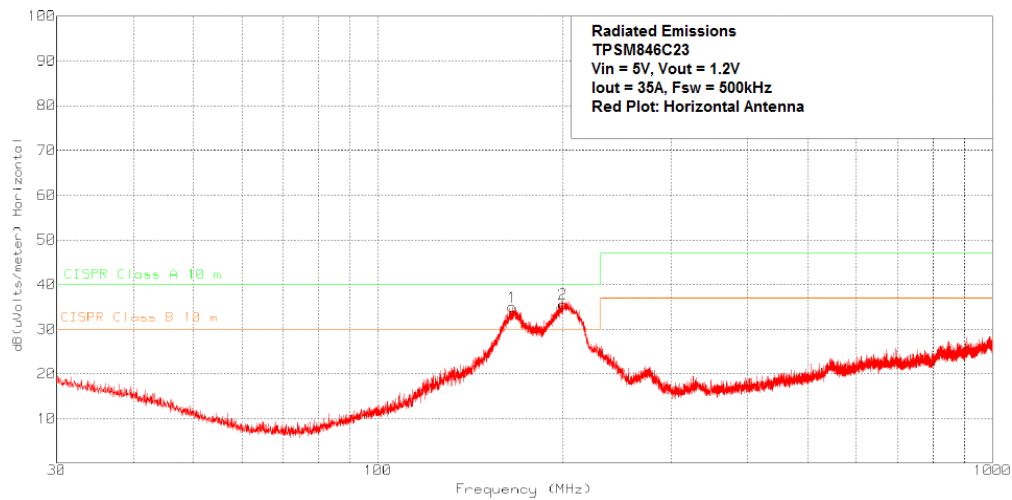


图 27. Radiated Emissions 5-V Input, 1.2-V Output, 35-A Load Horizontal Antenna



### 10.5 Mounting and Thermal Profile Recommendation

Proper mounting technique adequately covers the exposed thermal pad with solder. Excessive heat during the reflow process can affect electrical performance. 图 28 shows the recommended reflow-oven thermal profile. Proper post-assembly cleaning is also critical to device performance. Refer to [Power Module MSL Ratings and Reflow Ratings](#) for more information.

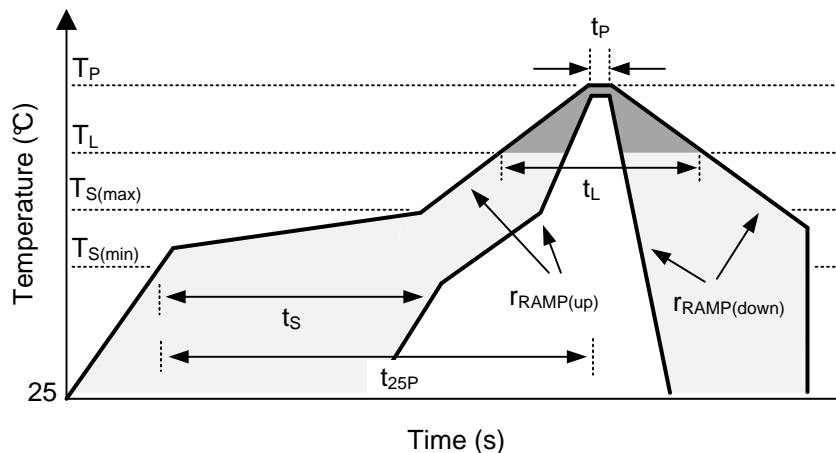


图 28. Recommended Reflow-Oven Thermal Profile

表 18. Recommended Thermal Profile Parameters

PARAMETER		MIN	TYP	MAX	UNIT
<b>RAMP UP AND RAMP DOWN</b>					
$r_{RAMP(up)}$	Average ramp-up rate, $T_{S(max)}$ to $T_P$			3	°C/s
$r_{RAMP(down)}$	Average ramp-down rate, $T_P$ to $T_{S(max)}$			6	°C/s
<b>PRE-HEAT</b>					
$T_S$	Preheat temperature	150		200	°C
$t_s$	Preheat time, $T_{S(min)}$ to $T_{S(max)}$	60		120	s
<b>REFLOW</b>					
$T_L$	Liquidous temperature		217		°C
$T_P$	Peak temperature			260	°C
$t_L$	Time maintained above liquidous temperature, $T_L$	60		150	s
$t_P$	Time maintained within 5°C of peak temperature, $T_P$	20		30	s
$t_{25P}$	Total time from 25°C to peak temperature, $T_P$			480	s

## 11 器件和文档支持

### 11.1 器件支持

#### 11.1.1 开发支持

##### 11.1.1.1 使用 **WEBENCH®** 工具创建定制设计

请单击[此处](#)，借助 **WEBENCH® Power Designer** 并使用 **TPSM846C23** 器件创建定制设计方案。

1. 首先输入输入电压 ( $V_{IN}$ )、输出电压 ( $V_{OUT}$ ) 和输出电流 ( $I_{OUT}$ ) 要求。
2. 使用优化器拨盘优化该设计的关键参数，如效率、尺寸和成本。
3. 将生成的设计与德州仪器 (TI) 的其他可行的解决方案进行比较。

**WEBENCH** 电源设计器可提供定制原理图以及罗列实时价格和组件供货情况的物料清单。

在多数情况下，可执行以下操作：

- 运行电气仿真，观察重要波形以及电路性能
- 运行热性能仿真，了解电路板热性能
- 将定制原理图和布局方案以常用 **CAD** 格式导出
- 打印设计方案的 **PDF** 报告并与同事共享

有关 **WEBENCH** 工具的详细信息，请访问 [www.ti.com.cn/WEBENCH](http://www.ti.com.cn/WEBENCH)。

### 11.2 文档支持

#### 11.2.1 相关文档

请参阅如下相关文档：

- 《**PMB** 电源管理协议规范》第 1 部分，修订版 1.3 在 <http://pmbus.org> 上可以找到
- TI 用户指南《**TPSM846C23** 并联工作》

#### 11.3 接收文档更新通知

要接收文档更新通知，请导航至 [TI.com.cn](http://TI.com.cn) 上的器件产品文件夹。单击右上角的通知我进行注册，即可每周接收产品信息更改摘要。有关更改的详细信息，请查看任何已修订文档中包含的修订历史记录。

### 11.4 社区资源

下列链接提供到 TI 社区资源的连接。链接的内容由各个分销商“按照原样”提供。这些内容并不构成 TI 技术规范，并且不一定反映 TI 的观点；请参阅 TI 的《[使用条款](#)》。

**TI E2E™ 在线社区** **TI 的工程师对工程师 (E2E) 社区**。此社区的创建目的在于促进工程师之间的协作。在 [e2e.ti.com](http://e2e.ti.com) 中，您可以咨询问题、分享知识、拓展思路并与同行工程师一道帮助解决问题。

**设计支持** **TI 参考设计支持** 可帮助您快速查找有帮助的 E2E 论坛、设计支持工具以及技术支持的联系信息。

### 11.5 商标

E2E is a trademark of Texas Instruments.

WEBENCH is a registered trademark of Texas Instruments.

PMBus is a trademark of SMIF, Inc..

All other trademarks are the property of their respective owners.

### 11.6 静电放电警告



这些装置包含有限的内置 ESD 保护。存储或装卸时，应将导线一起截短或将装置放置于导电泡棉中，以防止 MOS 门极遭受静电损伤。

### 11.7 术语表

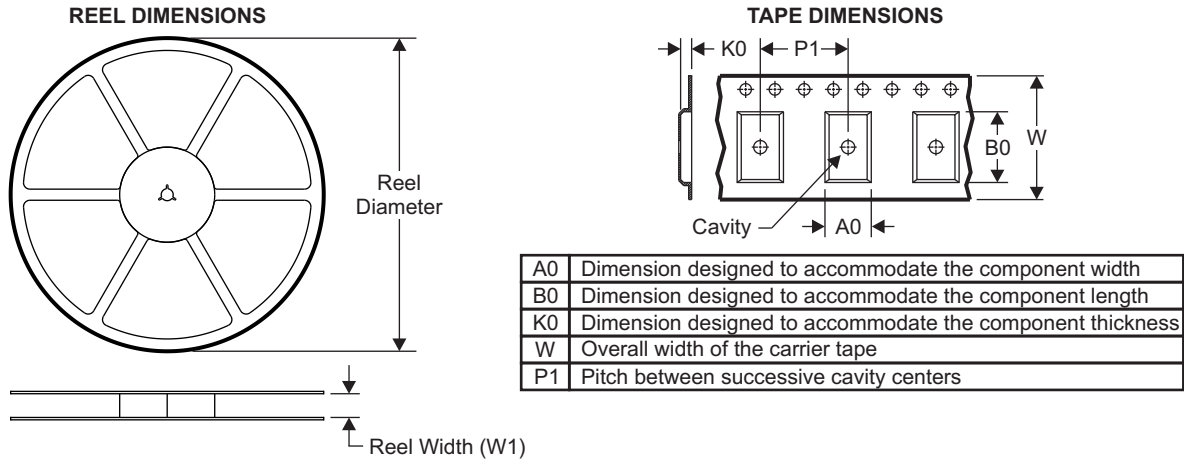
**SLYZ022** — TI 术语表。

这份术语表列出并解释术语、缩写和定义。

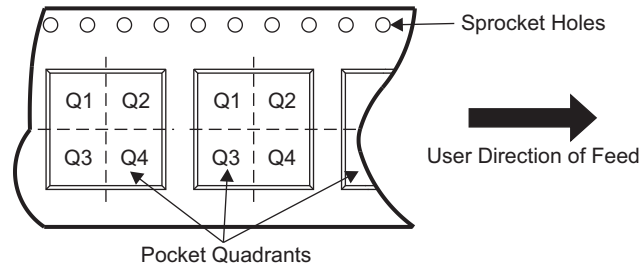
## 12 机械、封装和可订购信息

以下页面包含机械、封装和可订购信息。这些信息是指定器件的最新可用数据。数据如有变更，恕不另行通知，且不会对此文档进行修订。如需获取此数据表的浏览器版本，请查阅左侧的导航栏。

### 12.1 Tape and Reel Information



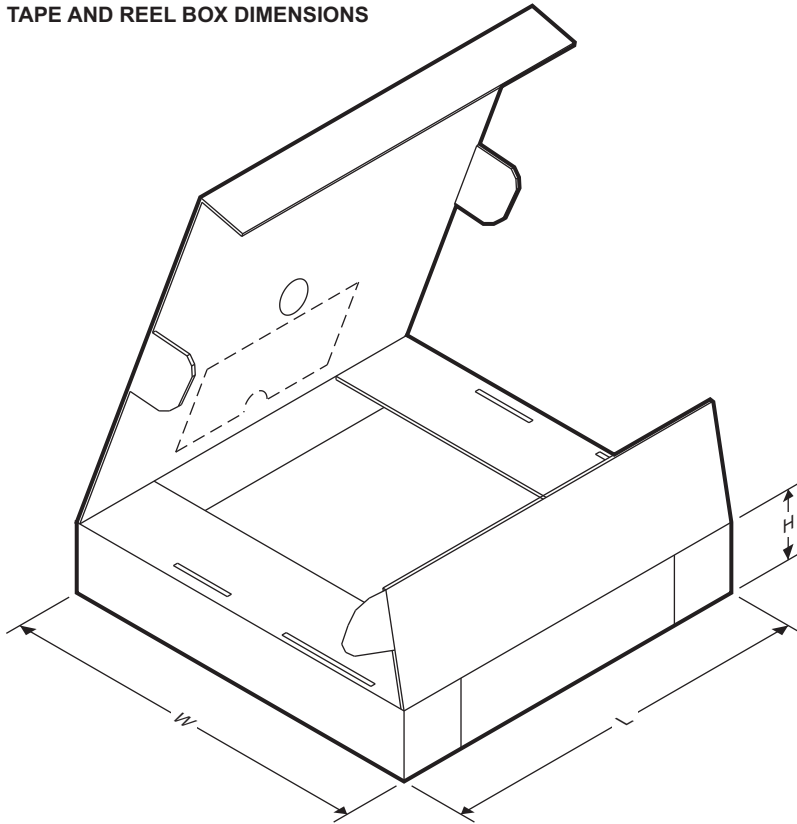
#### QUADRANT ASSIGNMENTS FOR PIN 1 ORIENTATION IN TAPE



Device	Package Type	Package Drawing	Pins	SPQ	Reel Diameter (mm)	Reel Width W1 (mm)	A0 (mm)	B0 (mm)	K0 (mm)	P1 (mm)	W (mm)	Pin1 Quadrant
TPSM846C23MOLR	QFM	MOL	59	350	330.0	32.4	15.35	16.35	6.1	24.0	32.0	Q1

**TPSM846C23**

ZHCSG68F – MARCH 2017 – REVISED JANUARY 2019

[www.ti.com.cn](http://www.ti.com.cn)
**TAPE AND REEL BOX DIMENSIONS**


Device	Package Type	Package Drawing	Pins	SPQ	Length (mm)	Width (mm)	Height (mm)
TPSM846C23MOLR	QFM	MOL	59	350	383.0	353.0	58.0

## 重要声明和免责声明

TI 均以“原样”提供技术性数据（包括数据表）、设计资源（包括参考设计）、应用或其他设计建议、网络工具、安全信息和其他资源，不保证其中不含任何瑕疵，且不做任何明示或暗示的担保，包括但不限于对适销性、适合某特定用途或不侵犯任何第三方知识产权的暗示担保。

所述资源可供专业开发人员应用TI 产品进行设计使用。您将对以下行为独自承担全部责任：(1) 针对您的应用选择合适的TI 产品；(2) 设计、验证并测试您的应用；(3) 确保您的应用满足相应标准以及任何其他安全、安保或其他要求。所述资源如有变更，恕不另行通知。TI 对您使用所述资源的授权仅限于开发资源所涉及TI 产品的相关应用。除此之外不得复制或展示所述资源，也不提供其它TI 或任何第三方的知识产权授权许可。如因使用所述资源而产生任何索赔、赔偿、成本、损失及债务等，TI 对此概不负责，并且您须赔偿由此对TI 及其代表造成的损害。

TI 所提供产品均受TI 的销售条款 (<http://www.ti.com.cn/zh-cn/legal/termsofsale.html>) 以及ti.com.cn上或随附TI产品提供的其他可适用条款的约束。TI提供所述资源并不扩展或以其他方式更改TI 针对TI 产品所发布的可适用的担保范围或担保免责声明。

邮寄地址：上海市浦东新区世纪大道 1568 号中建大厦 32 楼，邮政编码：200122  
Copyright © 2019 德州仪器半导体技术（上海）有限公司

**PACKAGING INFORMATION**

Orderable Device	Status (1)	Package Type	Package Drawing	Pins	Package Qty	Eco Plan (2)	Lead/Ball Finish (6)	MSL Peak Temp (3)	Op Temp (°C)	Device Marking (4/5)	Samples
TPSM846C23MOLR	ACTIVE	QFM	MOL	59	350	RoHS Exempt & Green	NIAU	Level-3-260C-168 HR	-40 to 105	TPSM846C23	<a href="#">Samples</a>

(1) The marketing status values are defined as follows:

**ACTIVE:** Product device recommended for new designs.

**LIFEBUY:** TI has announced that the device will be discontinued, and a lifetime-buy period is in effect.

**NRND:** Not recommended for new designs. Device is in production to support existing customers, but TI does not recommend using this part in a new design.

**PREVIEW:** Device has been announced but is not in production. Samples may or may not be available.

**OBSOLETE:** TI has discontinued the production of the device.

(2) **RoHS:** TI defines "RoHS" to mean semiconductor products that are compliant with the current EU RoHS requirements for all 10 RoHS substances, including the requirement that RoHS substance do not exceed 0.1% by weight in homogeneous materials. Where designed to be soldered at high temperatures, "RoHS" products are suitable for use in specified lead-free processes. TI may reference these types of products as "Pb-Free".

**RoHS Exempt:** TI defines "RoHS Exempt" to mean products that contain lead but are compliant with EU RoHS pursuant to a specific EU RoHS exemption.

**Green:** TI defines "Green" to mean the content of Chlorine (Cl) and Bromine (Br) based flame retardants meet JS709B low halogen requirements of <=1000ppm threshold. Antimony trioxide based flame retardants must also meet the <=1000ppm threshold requirement.

(3) MSL, Peak Temp. - The Moisture Sensitivity Level rating according to the JEDEC industry standard classifications, and peak solder temperature.

(4) There may be additional marking, which relates to the logo, the lot trace code information, or the environmental category on the device.

(5) Multiple Device Markings will be inside parentheses. Only one Device Marking contained in parentheses and separated by a "~" will appear on a device. If a line is indented then it is a continuation of the previous line and the two combined represent the entire Device Marking for that device.

(6) Lead/Ball Finish - Orderable Devices may have multiple material finish options. Finish options are separated by a vertical ruled line. Lead/Ball Finish values may wrap to two lines if the finish value exceeds the maximum column width.

**Important Information and Disclaimer:**The information provided on this page represents TI's knowledge and belief as of the date that it is provided. TI bases its knowledge and belief on information provided by third parties, and makes no representation or warranty as to the accuracy of such information. Efforts are underway to better integrate information from third parties. TI has taken and continues to take reasonable steps to provide representative and accurate information but may not have conducted destructive testing or chemical analysis on incoming materials and chemicals. TI and TI suppliers consider certain information to be proprietary, and thus CAS numbers and other limited information may not be available for release.

In no event shall TI's liability arising out of such information exceed the total purchase price of the TI part(s) at issue in this document sold by TI to Customer on an annual basis.

## TAPE AND REEL INFORMATION



### QUADRANT ASSIGNMENTS FOR PIN 1 ORIENTATION IN TAPE



\*All dimensions are nominal

Device	Package Type	Package Drawing	Pins	SPQ	Reel Diameter (mm)	Reel Width W1 (mm)	A0 (mm)	B0 (mm)	K0 (mm)	P1 (mm)	W (mm)	Pin1 Quadrant
TPSM846C23MOLR	QFM	MOL	59	350	330.0	32.4	15.35	16.35	6.1	24.0	32.0	Q1

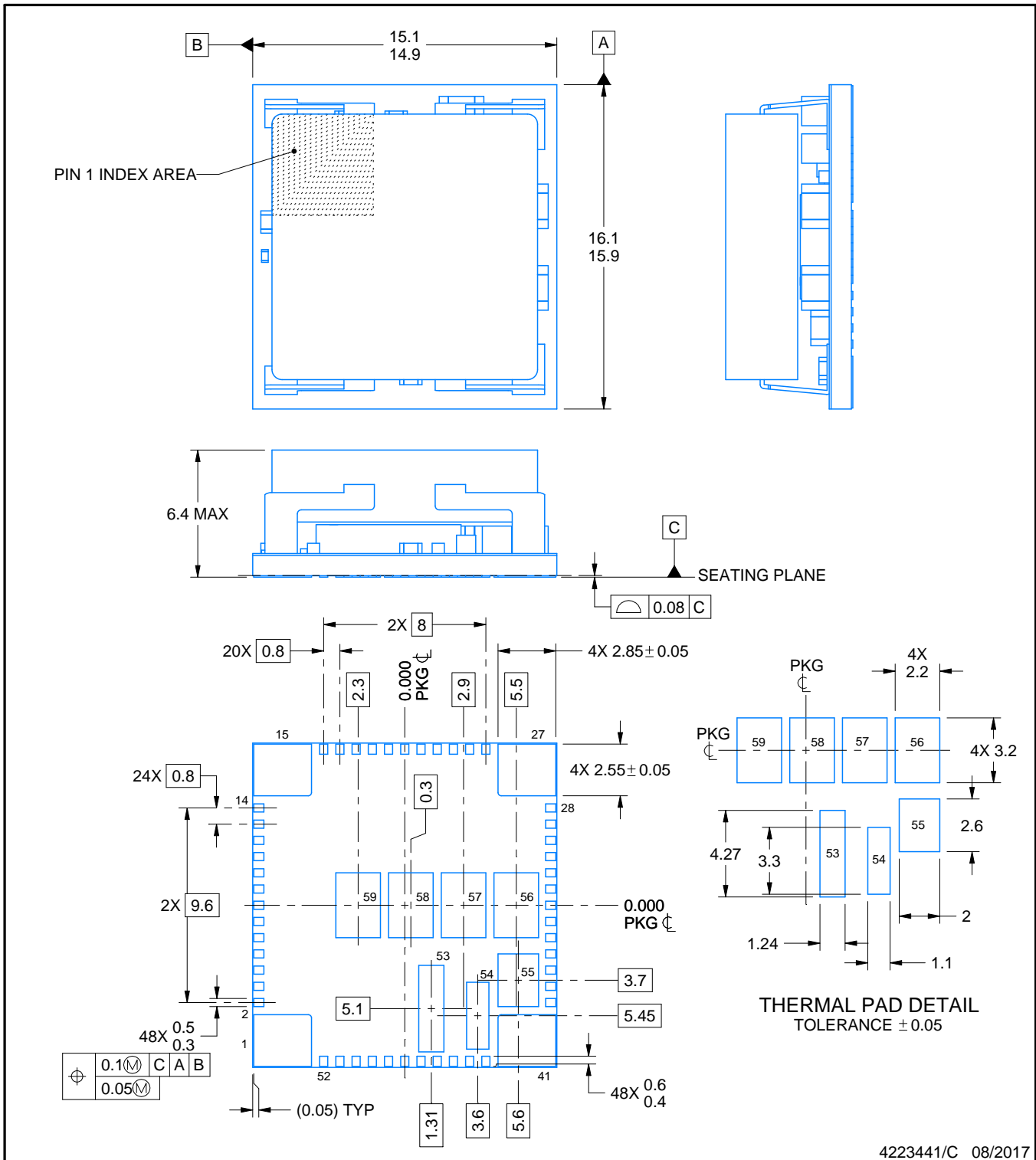
TAPE AND REEL BOX DIMENSIONS



\*All dimensions are nominal

Device	Package Type	Package Drawing	Pins	SPQ	Length (mm)	Width (mm)	Height (mm)
TPSM846C23MOLR	QFM	MOL	59	350	383.0	353.0	58.0





4223441/C 08/2017

NOTES:

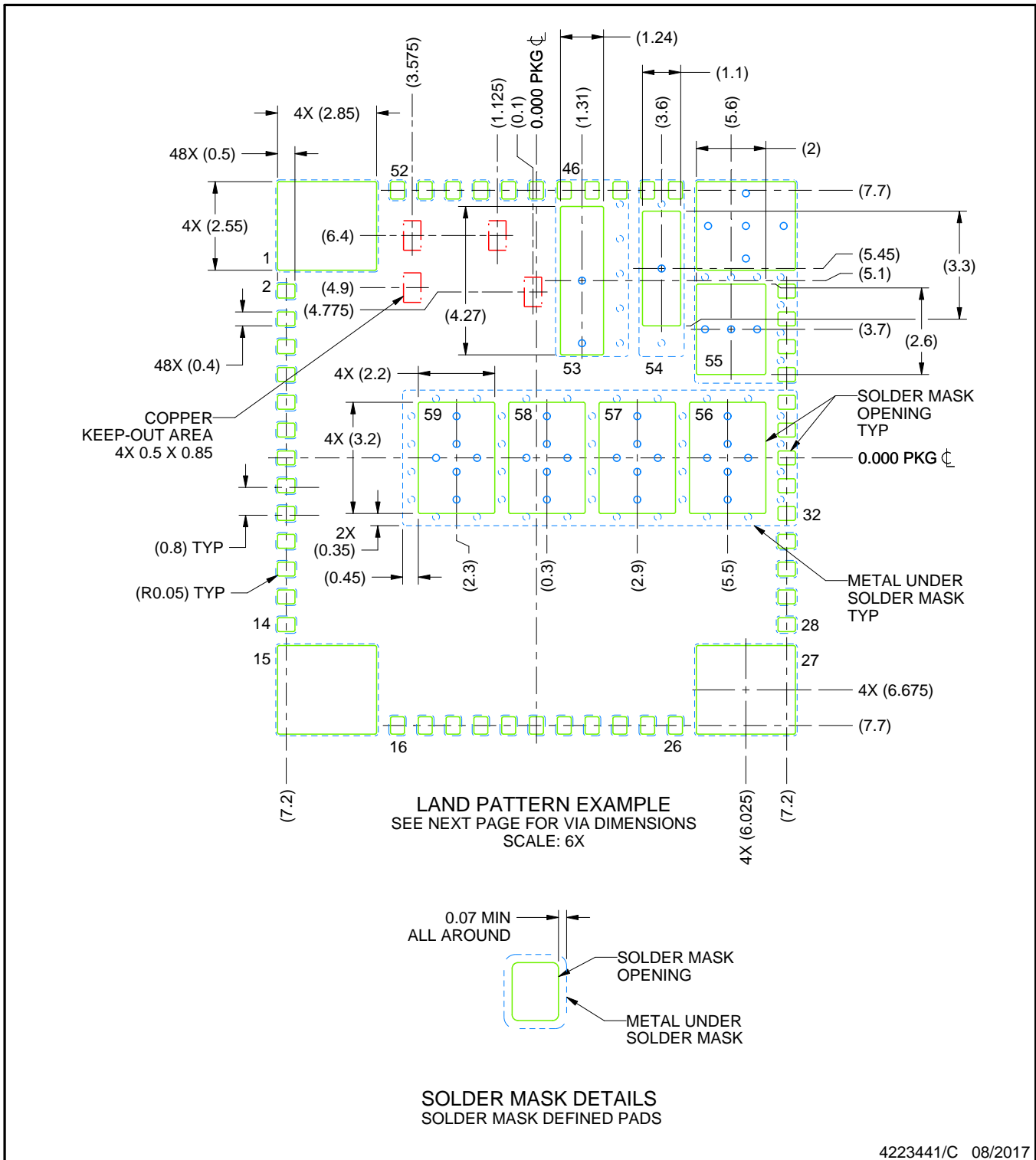
1. All linear dimensions are in millimeters. Any dimensions in parenthesis are for reference only. Dimensioning and tolerancing per ASME Y14.5M.
2. This drawing is subject to change without notice.
3. The package thermal pads must be soldered to the printed circuit board for optimal thermal and mechanical performance.

# EXAMPLE BOARD LAYOUT

MOL0059A

QFM - 6.4 mm max height

PLASTIC QUAD FLAT MODULE



NOTES: (continued)

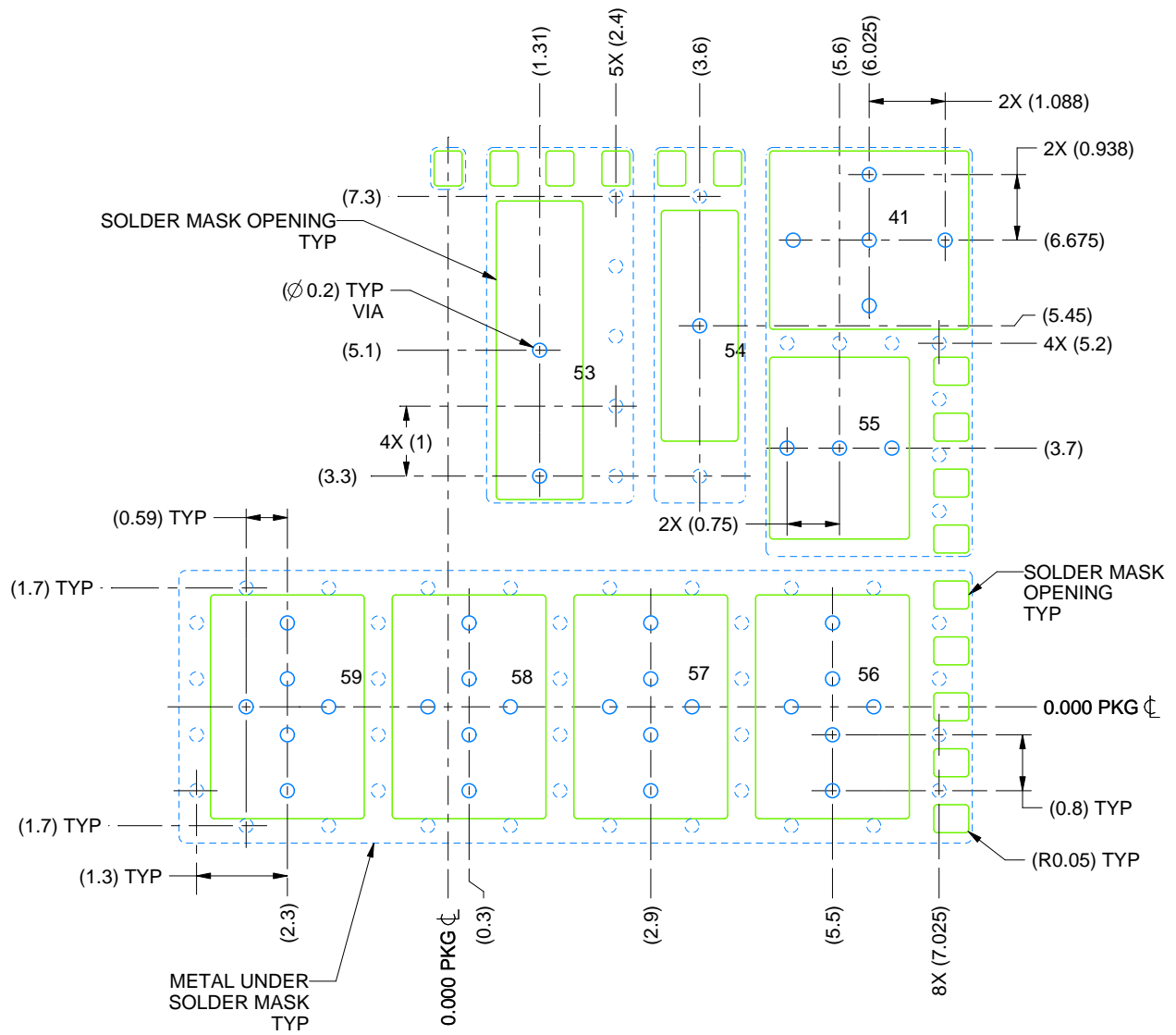
4. This package is designed to be soldered to the thermal pads on the board. For more information, see Texas Instruments literature number SLUA271 ([www.ti.com/lit/sluea271](http://www.ti.com/lit/sluea271)).
5. Vias are optional depending on application, refer to device data sheet. If any vias are implemented, refer to their locations shown on this view. It is recommended that vias under paste be filled, plugged or tented.

# EXAMPLE BOARD LAYOUT

MOL0059A

QFM - 6.4 mm max height

PLASTIC QUAD FLAT MODULE



LAND PATTERN EXAMPLE  
VIA DETAIL  
SCALE: 10X

4223441/C 08/2017



## 重要声明和免责声明

TI 提供技术和可靠性数据（包括数据表）、设计资源（包括参考设计）、应用或其他设计建议、网络工具、安全信息和其他资源，不保证没有瑕疵且不做任何明示或暗示的担保，包括但不限于对适销性、某特定用途方面的适用性或不侵犯任何第三方知识产权的暗示担保。

这些资源可供使用 TI 产品进行设计的熟练开发人员使用。您将自行承担以下全部责任：(1) 针对您的应用选择合适的 TI 产品，(2) 设计、验证并测试您的应用，(3) 确保您的应用满足相应标准以及任何其他安全、安保或其他要求。这些资源如有变更，恕不另行通知。TI 授权您仅可将这些资源用于研发本资源所述的 TI 产品的应用。严禁对这些资源进行其他复制或展示。您无权使用任何其他 TI 知识产权或任何第三方知识产权。您应全额赔偿因在这些资源的使用中对 TI 及其代表造成的任何索赔、损害、成本、损失和债务，TI 对此概不负责。

TI 提供的产品受 TI 的销售条款 (<https://www.ti.com.cn/zh-cn/legal/termsofsale.html>) 或 [ti.com.cn](https://www.ti.com.cn) 上其他适用条款/TI 产品随附的其他适用条款的约束。TI 提供这些资源并不会扩展或以其他方式更改 TI 针对 TI 产品发布的适用的担保或担保免责声明。

邮寄地址：上海市浦东新区世纪大道 1568 号中建大厦 32 楼，邮政编码：200122  
Copyright © 2021 德州仪器半导体技术（上海）有限公司