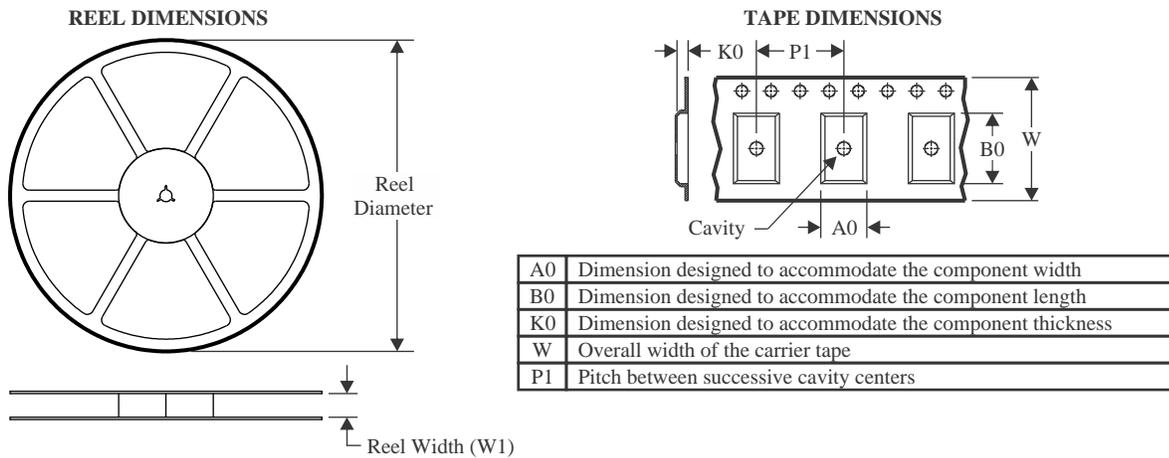
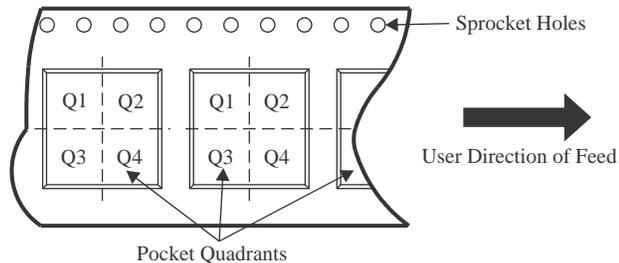
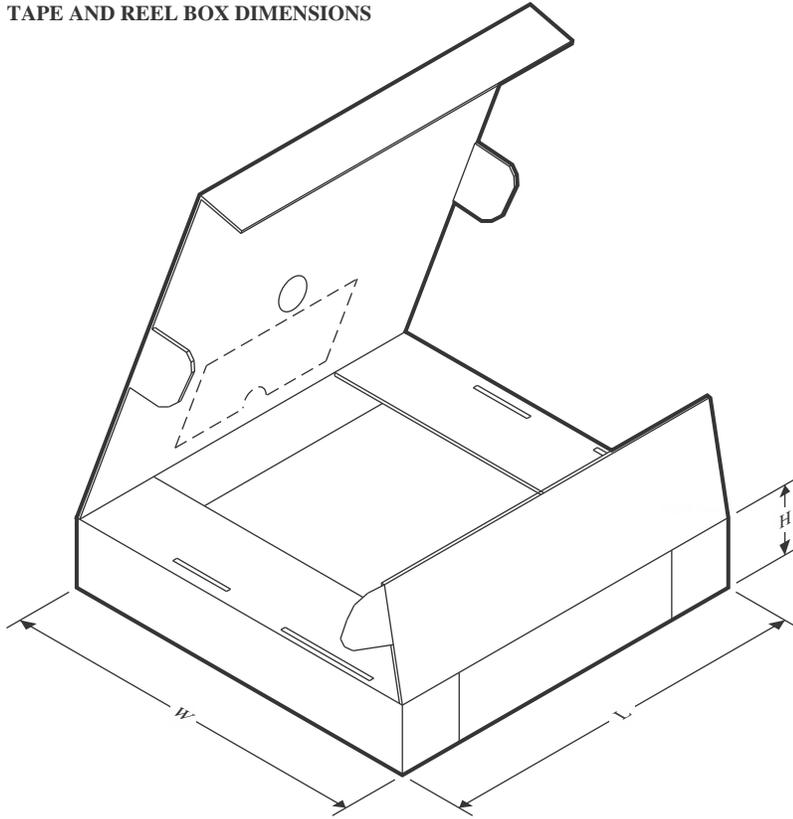


TAPE AND REEL INFORMATION

QUADRANT ASSIGNMENTS FOR PIN 1 ORIENTATION IN TAPE


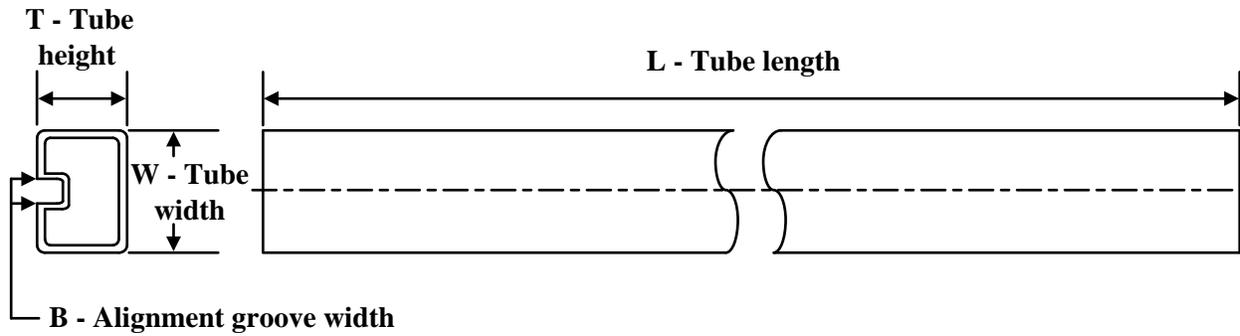
*All dimensions are nominal

Device	Package Type	Package Drawing	Pins	SPQ	Reel Diameter (mm)	Reel Width W1 (mm)	A0 (mm)	B0 (mm)	K0 (mm)	P1 (mm)	W (mm)	Pin1 Quadrant
SN74AHC138DBR	SSOP	DB	16	2000	330.0	16.4	8.35	6.6	2.4	12.0	16.0	Q1
SN74AHC138DGVR	TVSOP	DGV	16	2000	330.0	12.4	6.8	4.0	1.6	8.0	12.0	Q1
SN74AHC138DR	SOIC	D	16	2500	330.0	16.4	6.5	10.3	2.1	8.0	16.0	Q1
SN74AHC138NSR	SO	NS	16	2000	330.0	16.4	8.2	10.5	2.5	12.0	16.0	Q1
SN74AHC138PWR	TSSOP	PW	16	2000	330.0	12.4	6.9	5.6	1.6	8.0	12.0	Q1
SN74AHC138RGYR	VQFN	RGY	16	3000	330.0	12.4	3.8	4.3	1.5	8.0	12.0	Q1

TAPE AND REEL BOX DIMENSIONS


*All dimensions are nominal

Device	Package Type	Package Drawing	Pins	SPQ	Length (mm)	Width (mm)	Height (mm)
SN74AHC138DBR	SSOP	DB	16	2000	356.0	356.0	35.0
SN74AHC138DGVR	TVSOP	DGV	16	2000	356.0	356.0	35.0
SN74AHC138DR	SOIC	D	16	2500	340.5	336.1	32.0
SN74AHC138NSR	SO	NS	16	2000	356.0	356.0	35.0
SN74AHC138PWR	TSSOP	PW	16	2000	356.0	356.0	35.0
SN74AHC138RGYR	VQFN	RGY	16	3000	356.0	356.0	35.0

TUBE


*All dimensions are nominal

Device	Package Name	Package Type	Pins	SPQ	L (mm)	W (mm)	T (μm)	B (mm)
5962-9851601Q2A	FK	LCCC	20	55	506.98	12.06	2030	NA
5962-9851601QFA	W	CFP	16	25	506.98	26.16	6220	NA
SN74AHC138N	N	PDIP	16	25	506	13.97	11230	4.32
SN74AHC138N	N	PDIP	16	25	506	13.97	11230	4.32
SNJ54AHC138FK	FK	LCCC	20	55	506.98	12.06	2030	NA
SNJ54AHC138W	W	CFP	16	25	506.98	26.16	6220	NA