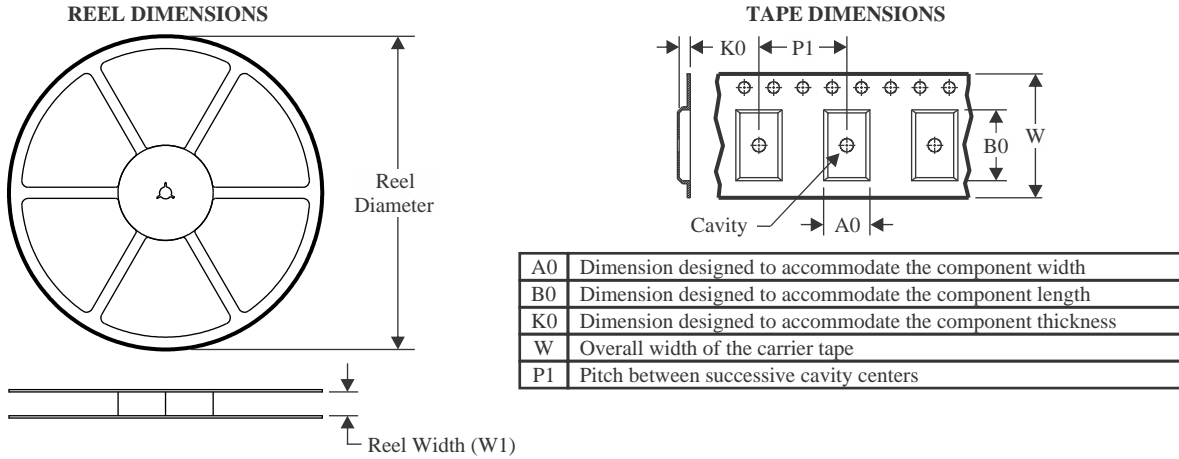
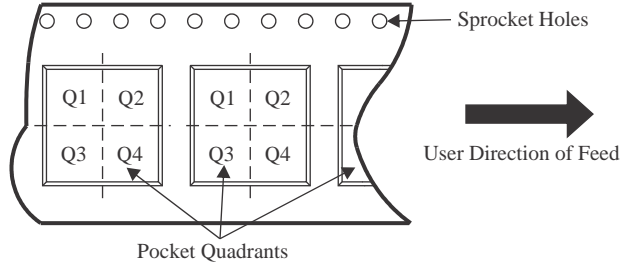


TAPE AND REEL INFORMATION



QUADRANT ASSIGNMENTS FOR PIN 1 ORIENTATION IN TAPE



*All dimensions are nominal

Device	Package Type	Package Drawing	Pins	SPQ	Reel Diameter (mm)	Reel Width W1 (mm)	A0 (mm)	B0 (mm)	K0 (mm)	P1 (mm)	W (mm)	Pin1 Quadrant
LP5912Q0.9DRVRQ1	WSO	DRV	6	3000	180.0	8.4	2.3	2.3	1.15	4.0	8.0	Q2
LP5912Q0.9DRVTQ1	WSO	DRV	6	250	180.0	8.4	2.3	2.3	1.15	4.0	8.0	Q2
LP5912Q1.1DRVRQ1	WSO	DRV	6	3000	180.0	8.4	2.3	2.3	1.15	4.0	8.0	Q2
LP5912Q1.1DRVTQ1	WSO	DRV	6	250	180.0	8.4	2.3	2.3	1.15	4.0	8.0	Q2
LP5912Q1.2DRVRQ1	WSO	DRV	6	3000	180.0	8.4	2.3	2.3	1.15	4.0	8.0	Q2
LP5912Q1.2DRVTQ1	WSO	DRV	6	250	180.0	8.4	2.3	2.3	1.15	4.0	8.0	Q2
LP5912Q1.5DRVRQ1	WSO	DRV	6	3000	180.0	8.4	2.3	2.3	1.15	4.0	8.0	Q2
LP5912Q1.5DRVTQ1	WSO	DRV	6	250	180.0	8.4	2.3	2.3	1.15	4.0	8.0	Q2

Device	Package Type	Package Drawing	Pins	SPQ	Reel Diameter (mm)	Reel Width W1 (mm)	A0 (mm)	B0 (mm)	K0 (mm)	P1 (mm)	W (mm)	Pin1 Quadrant
LP5912Q1.8DRVRQ1	WSON	DRV	6	3000	180.0	8.4	2.3	2.3	1.15	4.0	8.0	Q2
LP5912Q1.8DRVTQ1	WSON	DRV	6	250	180.0	8.4	2.3	2.3	1.15	4.0	8.0	Q2
LP5912Q1.8DRVTQ1	WSON	DRV	6	250	180.0	8.4	2.3	2.3	1.15	4.0	8.0	Q2
LP5912Q2.8DRVRQ1	WSON	DRV	6	3000	180.0	8.4	2.3	2.3	1.15	4.0	8.0	Q2
LP5912Q2.8DRVTQ1	WSON	DRV	6	250	180.0	8.4	2.3	2.3	1.15	4.0	8.0	Q2
LP5912Q2.8DRVTQ1	WSON	DRV	6	250	180.0	8.4	2.3	2.3	1.15	4.0	8.0	Q2
LP5912Q3.0DRVRQ1	WSON	DRV	6	3000	180.0	8.4	2.3	2.3	1.15	4.0	8.0	Q2
LP5912Q3.0DRVTQ1	WSON	DRV	6	250	180.0	8.4	2.3	2.3	1.15	4.0	8.0	Q2
LP5912Q3.0DRVTQ1	WSON	DRV	6	250	180.0	8.4	2.3	2.3	1.15	4.0	8.0	Q2
LP5912Q3.3DRVRQ1	WSON	DRV	6	3000	180.0	8.4	2.3	2.3	1.15	4.0	8.0	Q2
LP5912Q3.3DRVTQ1	WSON	DRV	6	250	180.0	8.4	2.3	2.3	1.15	4.0	8.0	Q2
LP5912Q3.3DRVTQ1	WSON	DRV	6	250	180.0	8.4	2.3	2.3	1.15	4.0	8.0	Q2

TAPE AND REEL BOX DIMENSIONS


*All dimensions are nominal

Device	Package Type	Package Drawing	Pins	SPQ	Length (mm)	Width (mm)	Height (mm)
LP5912Q0.9DRVRQ1	WSO	DRV	6	3000	182.0	182.0	20.0
LP5912Q0.9DRVRQ1	WSO	DRV	6	3000	210.0	185.0	35.0
LP5912Q0.9DRVTQ1	WSO	DRV	6	250	210.0	185.0	35.0
LP5912Q0.9DRVTQ1	WSO	DRV	6	250	182.0	182.0	20.0
LP5912Q1.1DRVRQ1	WSO	DRV	6	3000	182.0	182.0	20.0
LP5912Q1.1DRVRQ1	WSO	DRV	6	3000	210.0	185.0	35.0
LP5912Q1.1DRVTQ1	WSO	DRV	6	250	210.0	185.0	35.0
LP5912Q1.1DRVTQ1	WSO	DRV	6	250	182.0	182.0	20.0
LP5912Q1.2DRVRQ1	WSO	DRV	6	3000	182.0	182.0	20.0
LP5912Q1.2DRVRQ1	WSO	DRV	6	3000	210.0	185.0	35.0
LP5912Q1.2DRVTQ1	WSO	DRV	6	250	182.0	182.0	20.0
LP5912Q1.2DRVTQ1	WSO	DRV	6	250	210.0	185.0	35.0
LP5912Q1.5DRVRQ1	WSO	DRV	6	3000	210.0	185.0	35.0
LP5912Q1.5DRVRQ1	WSO	DRV	6	3000	182.0	182.0	20.0
LP5912Q1.5DRVTQ1	WSO	DRV	6	250	210.0	185.0	35.0
LP5912Q1.5DRVTQ1	WSO	DRV	6	250	182.0	182.0	20.0
LP5912Q1.8DRVRQ1	WSO	DRV	6	3000	182.0	182.0	20.0
LP5912Q1.8DRVRQ1	WSO	DRV	6	3000	210.0	185.0	35.0

Device	Package Type	Package Drawing	Pins	SPQ	Length (mm)	Width (mm)	Height (mm)
LP5912Q1.8DRVTQ1	WSON	DRV	6	250	210.0	185.0	35.0
LP5912Q1.8DRVTQ1	WSON	DRV	6	250	182.0	182.0	20.0
LP5912Q2.8DRVRQ1	WSON	DRV	6	3000	182.0	182.0	20.0
LP5912Q2.8DRVRQ1	WSON	DRV	6	3000	210.0	185.0	35.0
LP5912Q2.8DRVTQ1	WSON	DRV	6	250	210.0	185.0	35.0
LP5912Q2.8DRVTQ1	WSON	DRV	6	250	182.0	182.0	20.0
LP5912Q3.0DRVRQ1	WSON	DRV	6	3000	210.0	185.0	35.0
LP5912Q3.0DRVRQ1	WSON	DRV	6	3000	182.0	182.0	20.0
LP5912Q3.0DRVTQ1	WSON	DRV	6	250	182.0	182.0	20.0
LP5912Q3.0DRVTQ1	WSON	DRV	6	250	210.0	185.0	35.0
LP5912Q3.3DRVRQ1	WSON	DRV	6	3000	182.0	182.0	20.0
LP5912Q3.3DRVTQ1	WSON	DRV	6	250	182.0	182.0	20.0
LP5912Q3.3DRVTQ1	WSON	DRV	6	250	210.0	185.0	35.0