

TAPE AND REEL INFORMATION

QUADRANT ASSIGNMENTS FOR PIN 1 ORIENTATION IN TAPE

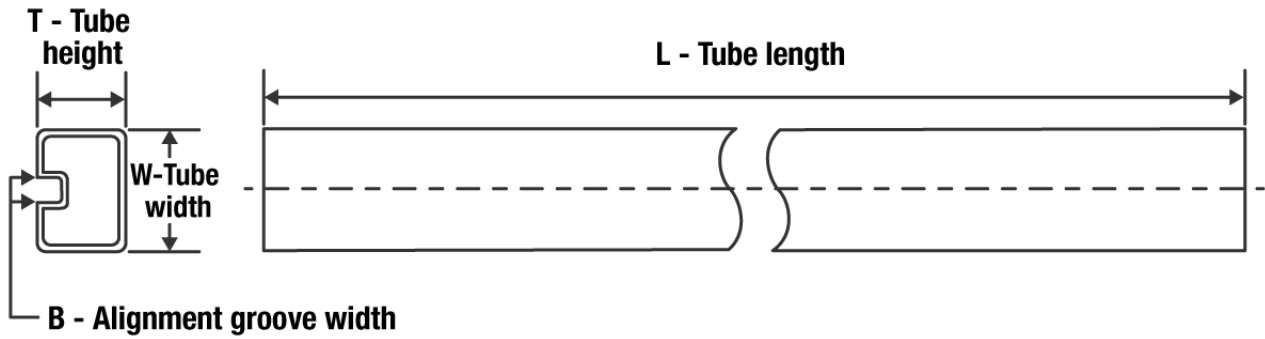

*All dimensions are nominal

Device	Package Type	Package Drawing	Pins	SPQ	Reel Diameter (mm)	Reel Width W1 (mm)	A0 (mm)	B0 (mm)	K0 (mm)	P1 (mm)	W (mm)	Pin1 Quadrant
ADS7254IPWR	TSSOP	PW	16	2000	330.0	12.4	6.9	5.6	1.6	8.0	12.0	Q1
ADS7254IRTER	WQFN	RTE	16	3000	330.0	12.4	3.3	3.3	1.1	8.0	12.0	Q2
ADS7254IRTET	WQFN	RTE	16	250	180.0	12.4	3.3	3.3	1.1	8.0	12.0	Q2
ADS7854IPWR	TSSOP	PW	16	2000	330.0	12.4	6.9	5.6	1.6	8.0	12.0	Q1
ADS7854IRTER	WQFN	RTE	16	3000	330.0	12.4	3.3	3.3	1.1	8.0	12.0	Q2
ADS7854IRTET	WQFN	RTE	16	250	180.0	12.4	3.3	3.3	1.1	8.0	12.0	Q2
ADS8354IPWR	TSSOP	PW	16	2000	330.0	12.4	6.9	5.6	1.6	8.0	12.0	Q1
ADS8354IRTER	WQFN	RTE	16	3000	330.0	12.4	3.3	3.3	1.1	8.0	12.0	Q2
ADS8354IRTET	WQFN	RTE	16	250	180.0	12.4	3.3	3.3	1.1	8.0	12.0	Q2

TAPE AND REEL BOX DIMENSIONS


*All dimensions are nominal

Device	Package Type	Package Drawing	Pins	SPQ	Length (mm)	Width (mm)	Height (mm)
ADS7254IPWR	TSSOP	PW	16	2000	367.0	367.0	35.0
ADS7254IRTER	WQFN	RTE	16	3000	367.0	367.0	35.0
ADS7254IRTET	WQFN	RTE	16	250	210.0	185.0	35.0
ADS7854IPWR	TSSOP	PW	16	2000	367.0	367.0	35.0
ADS7854IRTER	WQFN	RTE	16	3000	367.0	367.0	35.0
ADS7854IRTET	WQFN	RTE	16	250	210.0	185.0	35.0
ADS8354IPWR	TSSOP	PW	16	2000	367.0	367.0	35.0
ADS8354IRTER	WQFN	RTE	16	3000	367.0	367.0	35.0
ADS8354IRTET	WQFN	RTE	16	250	210.0	185.0	35.0

TUBE


*All dimensions are nominal

Device	Package Name	Package Type	Pins	SPQ	L (mm)	W (mm)	T (μm)	B (mm)
ADS7254IPW	PW	TSSOP	16	90	530	10.2	3600	3.5
ADS7854IPW	PW	TSSOP	16	90	530	10.2	3600	3.5
ADS8354IPW	PW	TSSOP	16	90	530	10.2	3600	3.5