

TI Designs: TIDA-050011

各种 LED 环形灯照明图案参考设计



说明

此参考设计实现了人机界面场景，可在利用两个 LP5024 LED 驱动器的 LED 环形灯上呈现逼真的照明图案。设计利用复杂的照明图案和恒压电源帮助解决终端设备的常见难题。此设计还可利用模拟调光特性调节 LP5024 的亮度，而不会影响动态环境光感应的照明图案对比度。

资源

TIDA-050011	设计文件夹
LP5024	产品文件夹
OPT3001	产品文件夹
SimpleLink™ MSP432P401R LaunchPad™ 开发套件	工具文件夹



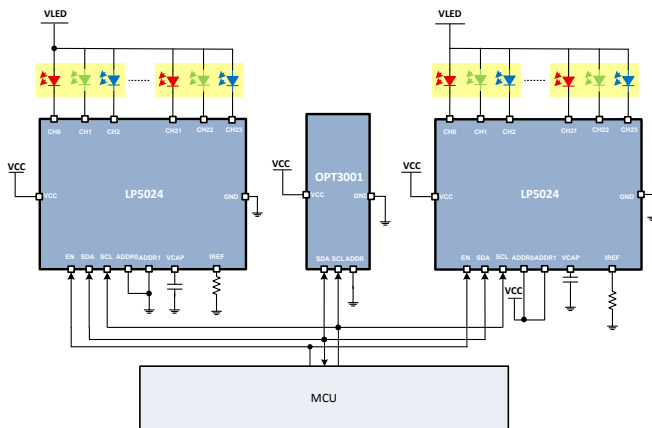
咨询我们的 E2E™ 专家

特性

- 12 位、29kHz PWM 调光和 I²C 接口呈现生动的照明图案
- 低至 10μA 的超低待机电流以及自动节能模式
- 可编程组 (R/G/B)，可轻松对每种颜色进行软件控制
- 动态调节环境光感应的亮度

应用

- 智能扬声器（带语音助理）
- 电器用户界面和连接模块
- 可视门铃
- 电子智能锁
- STB 和 DVR
- WLAN/WIFI 接入点
- 虚拟现实及增强现实耳机和眼镜
- 打印机
- 视频游戏主机
- 一体式家庭影院 (HTIB)



该 TI 参考设计末尾的重要声明表述了授权使用、知识产权问题和其他重要的免责声明和信息。

1 System Description

This is the design guide for the Various LED Ring Lighting Patterns Reference Design, which makes the vivid lightings pattern on the LED ring with 2 LP5024 devices. In this reference design, LP5024 linear LED drivers are used to drive 16 RGB LED modules with constant current control. OPT3001 senses the ambient light dynamically. The MSP432P401R LaunchPad sends the control signal to adjust LP5024 analog current and generate the various lighting patterns.

1.1 Key System Specifications

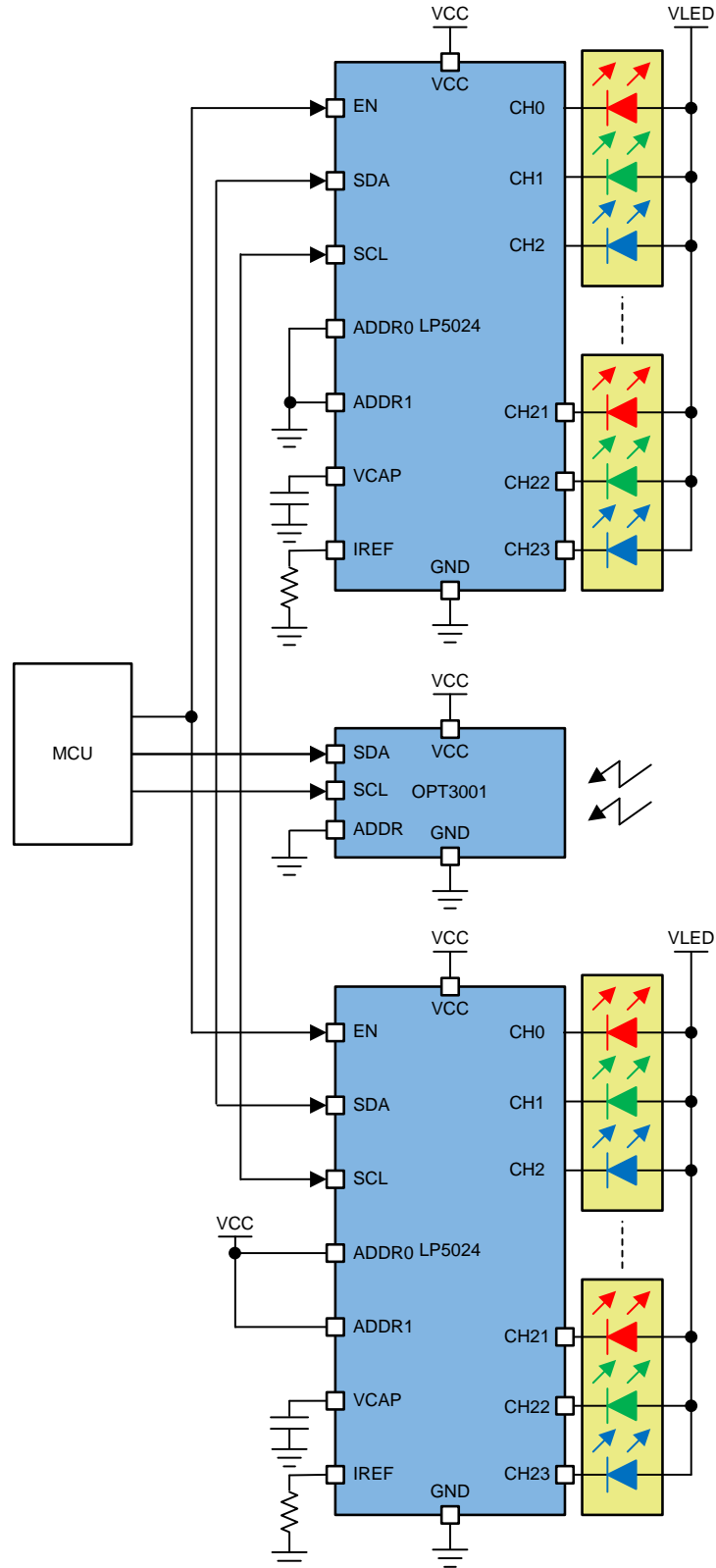
表 1. Key System Specifications

PARAMETER	SPECIFICATIONS
Input voltage range	3 V to 5.5 V
Output current	8 mA/channel maximum
LED number	16 RGB
LED type	19-337/R6GHBHC-A01/2T
Lighting pattern style	7
Analog dimming control range	1% to 100%

2 System Overview

2.1 Block Diagram

图 1. TIDA-050011 Block Diagram



2.2 Design Considerations

In this reference design, two 24-channel, 12-bit, PWM ultralow-quiescent-current, I2C RGB LED drivers (LP5024) are used to drive a 16-RGB-LED module with constant current control and smooth dimming effect. The LP5024 devices improve the user experience in color mixing and brightness control for both live effects and coding efforts. The optimized performance for RGB LEDs makes the LP5024 an excellent fit for human-machine interaction applications. OPT3001 senses the ambient light dynamically. The MSP432P401R LaunchPad sends the control signal to adjust LP5024 analog current and generate the various lighting patterns.

Several considerations are taken into account for this particular design:

- LED map (ring) for meeting the requirement of popular human-machine interaction style.
- LED size, numbers and the diffuse design for meeting lighting pattern uniformity.
- Analog dimming in the difference ambient light lux without losing dimming resolution in lighting pattern.

These considerations apply to most human-machine interaction end equipment with day and night vision designs in some way, but the designer must decide the particular considerations to take into account for a specific design.

2.3 Highlighted Products

The following highlighted products are used in this reference design. The key features for selecting the devices for this reference design are outlined in the following subsections. For the complete details of the highlighted devices, refer to their respective product data sheets.

2.3.1 LP5024 24-Channel, 12-Bit, PWM Ultralow-Quiescent-Current, I2C RGB LED Driver

The LP5024 device is an 24-channel constant current-sink LED driver. The LP5024 device improves the user experience in color mixing and brightness control, from both live effects and coding efforts. The optimized performance for RGB LEDs makes it a potential choice for human-machine-interaction applications.

The LP5024 device controls each LED output with a 12-bit PWM resolution at 29-kHz switching frequency, which helps achieve a smooth dimming effect and eliminates audible noise. The independent color mixing and brightness control registers make the software coding straightforward. When targeting fade-in, fade-out type breathing effect, the global R, G, B bank control reduces the microcontroller loading significantly. The LP5024 device also implements a PWM phase-shifting function to help reduce the input power budget when LEDs turn on simultaneously.

2.3.2 SimpleLink™ MSP432P401R LaunchPad™ Development Kit

The SimpleLink™ [MSP-EXP432P401R](#) LaunchPad™ development kit enables one to develop high-performance applications that benefit from low-power operation. This kit features the MSP432P401R LaunchPad, which includes a 48-MHz Arm® Cortex®-M4F, 80-μA/MHz active power and 660-nA RTC operation, 14-bit 1- MSPS differential SAR ADC, and AES256 accelerator. All pins of the MSP-EXP432P401R device are fanned out for easy access. These pins make it easy to plug in 20-pin and 40-pin BoosterPack™ modules that add additional functionality including *Bluetooth*® low energy, Wi-Fi® wireless connectivity, and more.

2.3.3 OPT3001 Digital Ambient Light Sensor (ALS) With High-Precision Human-Eye Response

The OPT3001 is a sensor that measures the intensity of visible light. The spectral response of the sensor tightly matches the photopic response of the human eye and includes significant infrared rejection.

The OPT3001 is a single-chip lux meter, measuring the intensity of light as visible by the human eye. The precision spectral response and strong IR rejection of the device enables the OPT3001 to accurately meter the intensity of light as seen by the human eye regardless of light source. The strong IR rejection also aids in maintaining high accuracy when industrial design calls for mounting the sensor under dark glass for aesthetics. The OPT3001 is designed for systems that create light-based experiences for humans, and an ideal preferred replacement for photodiodes, photoresistors, or other ambient light sensors with less human eye matching and IR rejection.

Measurements can be made from 0.01 lux up to 83 k lux without manually selecting full-scale ranges by using the built-in, full-scale setting feature. This capability allows light measurement over a 23-bit effective dynamic range.

2.4 System Design Theory

Two 24-channel, 12-bit, PWM ultralow-quiescent-current, I²C RGB LED drivers (LP5024) are used to drive a 16-RGB-LED module with constant current control and a smooth dimming effect. OPT3001 senses the ambient light dynamically. The MSP432P401R LaunchPad sends the PWM control signal to adjust LP5024 analog current and refresh the LP5024 device registers to generate the various lighting patterns.

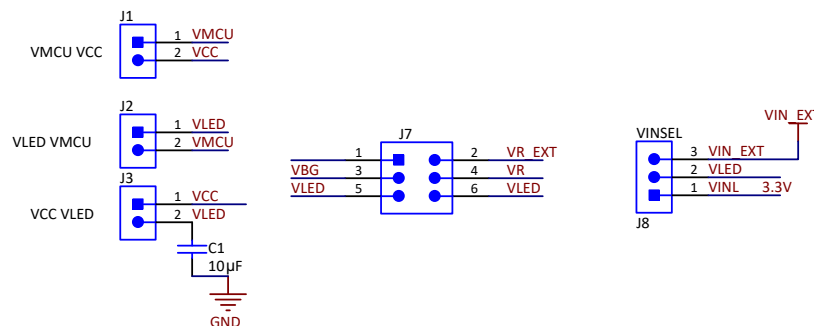
2.4.1 Power Supply Design Theory

The LEDs (VLED) are powered by the external DC power directly or 3.3 V from the MSP432P401R LaunchPad through J8 (VINSEL).

The 3.3-V blue and green LEDs, which forward voltage can use separate power from the red LED because the red LED forward voltage is 1.8 V. The lower input voltage for the red LED reduces the power dissipation from the LED driver. J7 is the configuration jumper.

LP5024 supports 1.8-V, 3.3-V, and 5-V I²C communication logic levels, which means the difference power rail can be used in VCC, I²C interface and VLED. The device also can be configured through J1, J2, and J3.

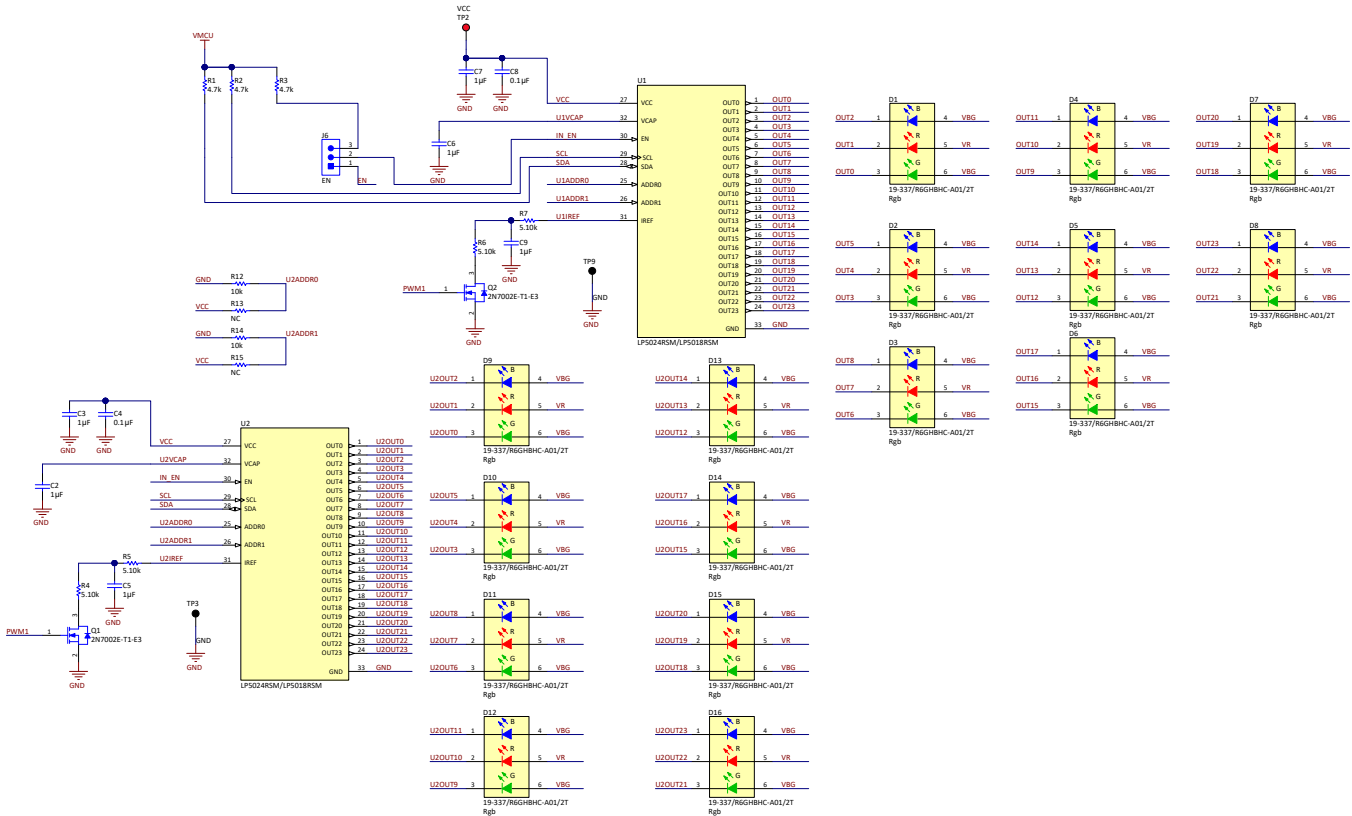
图 2. Power Design



2.4.2 LED Design

16 RGB LED modules were placed as the LED rings for the popular human-machine interaction style. This design uses two LP5024 devices.

图 3. LED Design



2.4.2.1 LED Current

The maximum current of each LED is 8 mA.

The constant-current value (I_{SET}) of all 24 channels is set by a single external resistor, R_{REF} . The value of R_{REF} can be calculated by 公式 1.

$$R_{REF} = K_{REF} \times \frac{V_{REF}}{I_{SET}}$$

where:

- $K_{REF} = 105$
- $V_{REF} = 0.7 \text{ V}$

(1)

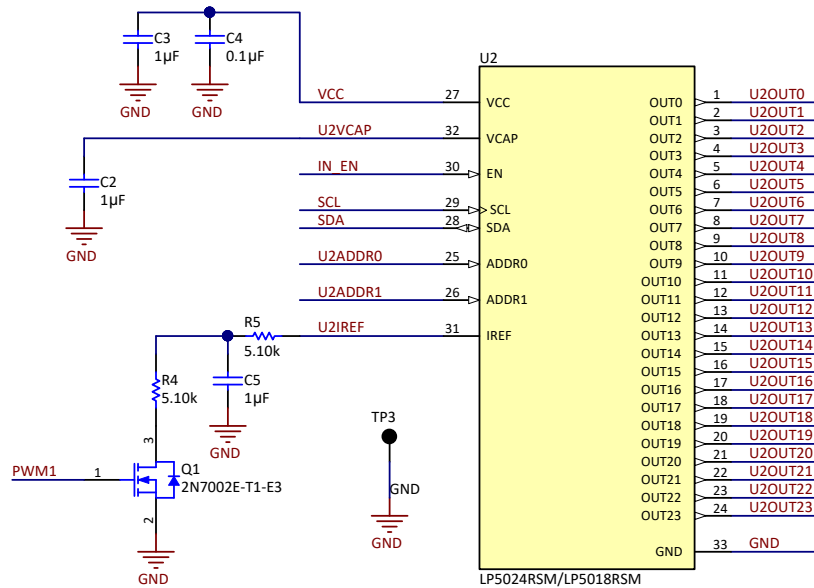
The maximum current of each LED is 8 mA.

Select R4, R5, R6, R7 with a value of 5.1 kΩ.

2.4.2.2 LP5024 Analog Dimming Circuit Design

The source current of IREF pin determines the LP5024 constant-current value (I_{SET}). The input PWM signal filters it as DC voltage with a large capacitor. The IREF is calculated from equations based on the schematic.

图 4. Analog Dimming Schematic



$$I_{IREF} = \frac{V_{IREF} \times D}{R4 + R5 \times D}$$

$$I_{outx} = K_{IREF} \times I_{IREF} = \frac{K_{IREF} \times V_{IREF} \times D}{R4 + R5 \times D}$$

where

- $K = R5 / (R4 + R5)$
- D is duty cycle of the PWM

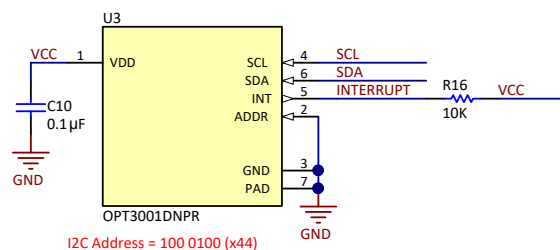
Make $R4 = R5$, then $K = 1/2$.

$$I_{outx} = \frac{K_{IREF} \times V_{IREF} \times D}{R4 \times (1 + D)}$$

2.4.3 OPT3001 Design

Use the OPT3001 typical application to measure ambient light lux. Make sure that the C1 capacitor is placed close to the VDD pin.

图 5. OPT3001 Design



2.4.4 Relation Between Pattern Brightness and Ambient Light Lux

When lux is 0, the minimum brightness is 1%. When lux is higher than 2000, the maximum brightness is 100%. When the lux is between 0 and 2000, the brightness has a linear relation with the lux.

2.4.5 Pattern Brightness Algorithm

Read the lux value from the OPT3001 device register and convert it to a decimal format. Next, adjust the pattern brightness based on the lux value through PWM.

After reading the lux, use the following sample code to transfer it to decimal format.

```

unsigned long int OPT3001_getLux()
{
    /* Specify slave address for OPT3001 */
    I2C_setslave(OPT3001_SLAVE_ADDRESS);

    uint16_t exponent = 0;
    uint32_t result = 0;
    int16_t raw;
    raw = I2C_read16(RESULT_REG);
    /*Convert to LUX*/
    //extract result & exponent data from raw readings
    result = raw&0xFFFF;
    exponent = (raw>>12)&0x000F;
    //convert raw readings to LUX
    switch(exponent){
    case 0: /**0.015625
        result = result>>6;
        break;
    case 1: /**0.03125
        result = result>>5;
        break;
    case 2: /**0.0625
        result = result>>4;
        break;
    case 3: /**0.125
        result = result>>3;
        break;
    case 4: /**0.25
        result = result>>2;
        break;
    case 5: /**0.5
        result = result>>1;
        break;
    case 6:
        result = result;
        break;
    case 7: /**2
        result = result<<1;
        break;
    case 8: /**4
        result = result<<2;
        break;
    case 9: /**8
        result = result<<3;
        break;
    case 10: /**16
        result = result<<4;
        break;
    case 11: /**32
        result = result<<5;
        break;
    }
  
```



```
    return result;  
}
```

Adjust the brightness using the following function.

```
void adjustb(void)
{
    float lux;
    lux = OPT3001_getLux();
        /* Adjust Peak Current */
        if (lux < 2000)
            pwmConfig.dutyCycle = ((2000*0.01) + (lux*0.98))/2000 * 128;

        else
            pwmConfig.dutyCycle = 128;
    MAP_Timer_A_generatePWM(TIMER_A0_BASE, &pwmConfig);
}

```

2.4.6 Lighting Pattern Design

Define the LP5024 register operation function with the following code:

```
void Shutdown()
{
    GPIO_setOutputLowOnPin(GPIO_PORT_P5, GPIO_PIN6); //Set Enable to Low to enter SHUTDOWN mode
}

void Initialization()
{
    GPIO_setOutputHighOnPin(GPIO_PORT_P5, GPIO_PIN6); //Set Enable to High to enter INITIALIZATION mode
}

void Mode_Select_Standby() //Set Chip_EN=0 to enter STANDBY mode
{
    MAP_I2C_setSlaveAddress(EUSCI_B1_BASE, SLAVE_ADDRESS);
    MAP_I2C_masterSendMultiByteStart(EUSCI_B1_BASE, 0x00); //send register address
    MAP_I2C_masterSendMultiByteFinish(EUSCI_B1_BASE, 0x00); // send register data
}

void Mode_Select_Normal() //Set Chip_EN=1 to enter NORMAL mode
{
    MAP_I2C_setSlaveAddress(EUSCI_B1_BASE, SLAVE_ADDRESS);
    MAP_I2C_masterSendMultiByteStart(EUSCI_B1_BASE, 0x00); //send register address
    MAP_I2C_masterSendMultiByteFinish(EUSCI_B1_BASE, 0x40); // send register data
}

/*Device Configure*/
void Device_Config1(bool Log_Scale_EN, bool Power_Save_EN, bool Auto_Incr_EN, bool
PWM_Dithering_EN, bool Max_Current_Option, bool LED_Global_Off)
{
    char
config1=Log_Scale_EN*32+Power_Save_EN*16+Auto_Incr_EN*8+PWM_Dithering_EN*4+Max_Current_Option*2+LE
D_Global_Off;
    MAP_I2C_setSlaveAddress(EUSCI_B1_BASE, SLAVE_ADDRESS);
    MAP_I2C_masterSendMultiByteStart(EUSCI_B1_BASE, 0x01); //send register address
    MAP_I2C_masterSendMultiByteFinish(EUSCI_B1_BASE, config1); // send register data
}

/*Bank Select*/
void LED_CONFIG0(bool LED7_Bank_EN, bool LED6_Bank_EN, bool LED5_Bank_EN, bool LED4_Bank_EN, bool
LED3_Bank_EN, bool LED2_Bank_EN, bool LED1_Bank_EN, bool LED0_Bank_EN)
{
    char
config0=LED7_Bank_EN*128+LED6_Bank_EN*64+LED5_Bank_EN*32+LED4_Bank_EN*16+LED3_Bank_EN*8+LED2_Bank_
EN*4+LED1_Bank_EN*2+LED0_Bank_EN;
    MAP_I2C_setSlaveAddress(EUSCI_B1_BASE, SLAVE_ADDRESS);
}

```

```

    MAP_I2C_masterSendMultiByteStart(EUSCI_B1_BASE, 0x02); //send register address
    MAP_I2C_masterSendMultiByteFinish(EUSCI_B1_BASE,config0); // send register data
}

void Bank_Brightness_Set(char BANK_BRIGHTNESS)
{
    MAP_I2C_setSlaveAddress(EUSCI_B1_BASE, SLAVE_ADDRESS);
    MAP_I2C_masterSendMultiByteStart(EUSCI_B1_BASE, 0x03); //send register address
    MAP_I2C_masterSendMultiByteFinish(EUSCI_B1_BASE,BANK_BRIGHTNESS); // send register data
}

void Bank_Brightness_Set_U1(char BANK_BRIGHTNESS)
{
    MAP_I2C_setSlaveAddress(EUSCI_B1_BASE, SLAVE_ADDRESS1);
    MAP_I2C_masterSendMultiByteStart(EUSCI_B1_BASE, 0x03); //send register address
    MAP_I2C_masterSendMultiByteFinish(EUSCI_B1_BASE,BANK_BRIGHTNESS); // send register data
}

void Bank_Brightness_Set_U2(char BANK_BRIGHTNESS)
{
    MAP_I2C_setSlaveAddress(EUSCI_B1_BASE, SLAVE_ADDRESS2);
    MAP_I2C_masterSendMultiByteStart(EUSCI_B1_BASE, 0x03); //send register address
    MAP_I2C_masterSendMultiByteFinish(EUSCI_B1_BASE,BANK_BRIGHTNESS); // send register data
}

void Bank_Color_Set(char BANK_A_COLOR, char BANK_B_COLOR, char BANK_C_COLOR)
{
    MAP_I2C_setSlaveAddress(EUSCI_B1_BASE, SLAVE_ADDRESS);
    /*Set Bank Red Color Gray*/
    MAP_I2C_masterSendMultiByteStart(EUSCI_B1_BASE, 0x04); //send register address
    MAP_I2C_masterSendMultiByteFinish(EUSCI_B1_BASE,BANK_A_COLOR); // send register data

    /*Set Bank Green Color Gray*/
    MAP_I2C_masterSendMultiByteStart(EUSCI_B1_BASE, 0x05); //send register address
    MAP_I2C_masterSendMultiByteFinish(EUSCI_B1_BASE,BANK_B_COLOR); // send register data

    /*Set Bank Blue Color Gray*/
    MAP_I2C_masterSendMultiByteStart(EUSCI_B1_BASE, 0x06); //send register address
    MAP_I2C_masterSendMultiByteFinish(EUSCI_B1_BASE,BANK_C_COLOR); // send register data
}

void LED_Brightness_Set(char LED_Number, char LED_Brightness)
{
    if(LED_Number<8)
    {
        MAP_I2C_setSlaveAddress(EUSCI_B1_BASE, SLAVE_ADDRESS1);
        MAP_I2C_masterSendMultiByteStart(EUSCI_B1_BASE, LED_Number+0x07); //send register address
        MAP_I2C_masterSendMultiByteFinish(EUSCI_B1_BASE,LED_Brightness); // send register data
    }
    else
    {
        MAP_I2C_setSlaveAddress(EUSCI_B1_BASE, SLAVE_ADDRESS2);
        MAP_I2C_masterSendMultiByteStart(EUSCI_B1_BASE, LED_Number-
8+0x07); //send register address
        MAP_I2C_masterSendMultiByteFinish(EUSCI_B1_BASE,LED_Brightness); // send register data
    }
}

void LED_Color_Set(char LED_Number, char GS_Red, char GS_Green, char GS_Blue)
{
    if(LED_Number<8)
    {
        MAP_I2C_setSlaveAddress(EUSCI_B1_BASE, SLAVE_ADDRESS1);
        MAP_I2C_masterSendMultiByteStart(EUSCI_B1_BASE, LED_Number*3+0x0F); //send register
address
        MAP_I2C_masterSendMultiByteFinish(EUSCI_B1_BASE,GS_Red); // send register data
        MAP_I2C_masterSendMultiByteStart(EUSCI_B1_BASE, LED_Number*3+0x10); //send register
address
    }
}

```

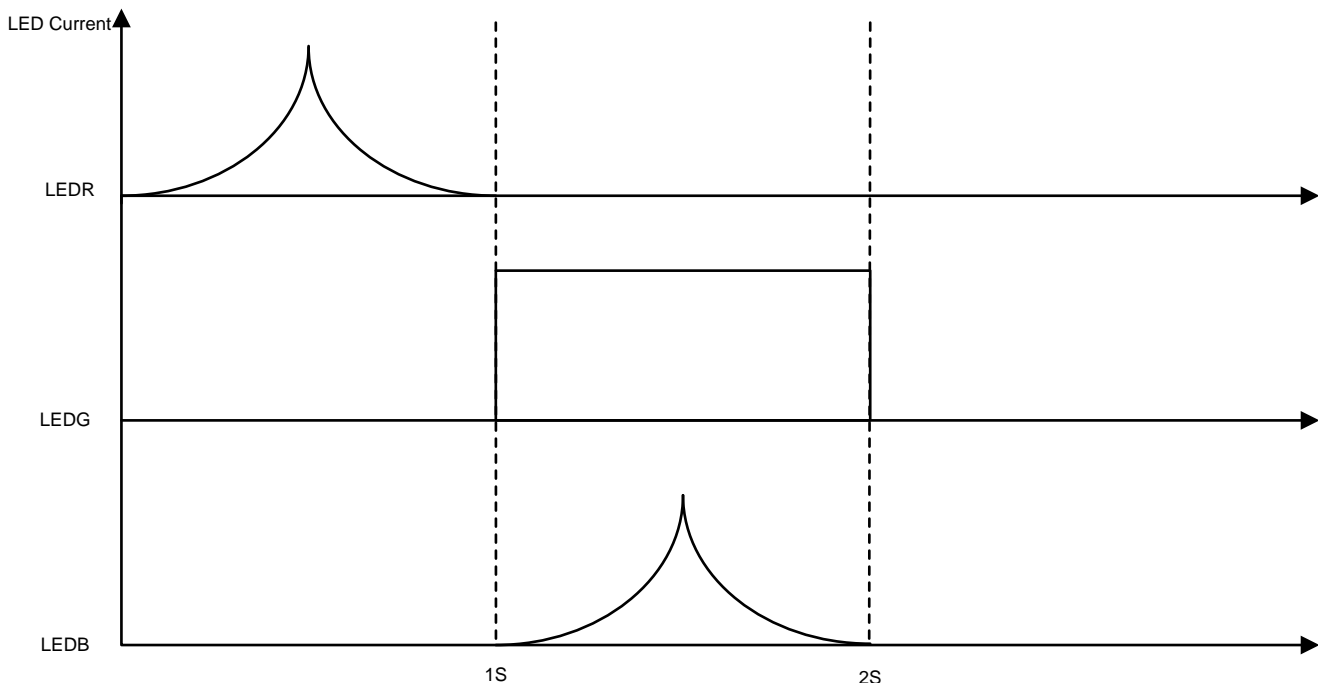
```

        MAP_I2C_masterSendMultiByteFinish(EUSCI_B1_BASE,GS_Green); // send register data
        MAP_I2C_masterSendMultiByteStart(EUSCI_B1_BASE, LED_Number*3+0x11); //send register
address
        MAP_I2C_masterSendMultiByteFinish(EUSCI_B1_BASE,GS_Blue); // send register data
    }
    else
    {
        MAP_I2C_setSlaveAddress(EUSCI_B1_BASE, SLAVE_ADDRESS2);
        MAP_I2C_masterSendMultiByteStart(EUSCI_B1_BASE, (LED_Number-
8)*3+0x0F); //send register address
        MAP_I2C_masterSendMultiByteFinish(EUSCI_B1_BASE,GS_Red); // send register data
        MAP_I2C_masterSendMultiByteStart(EUSCI_B1_BASE, (LED_Number-
8)*3+0x10); //send register address
        MAP_I2C_masterSendMultiByteFinish(EUSCI_B1_BASE,GS_Green); // send register data
        MAP_I2C_masterSendMultiByteStart(EUSCI_B1_BASE, (LED_Number-
8)*3+0x11); //send register address
        MAP_I2C_masterSendMultiByteFinish(EUSCI_B1_BASE,GS_Blue); // send register data
    }
}

void Reset()
{
    MAP_I2C_setSlaveAddress(EUSCI_B1_BASE, SLAVE_ADDRESS);
    MAP_I2C_masterSendMultiByteStart(EUSCI_B1_BASE, 0x27); //send register address
    MAP_I2C_masterSendMultiByteFinish(EUSCI_B1_BASE,0xFF); // send register data
}
    
```

2.4.6.1 Breathing

图 6. LED Current Waveform of Breathing



The sample code for breathing is as follows:

```

void breath_fresh_Red(void)
{
    Mode_Select_Normal();
    Device_Config1(1,1,1,1,0,0);
    LED_CONFIG0(1,1,1,1,1,1,1); //Bank control set, every LED in BANK
    Bank_Brightness_Set(0);
}
    
```

```

    Bank_Color_Set(255,0,0);//Bank color R:255 G:0 B:0
    int i;
    for(i=0;i<256;i++)
    {
        Bank_Brightness_Set_U1(i);
        Bank_Brightness_Set_U2(i);
        delay_ms(5);
    }
    for(i=255;i>=0;i--)
    {
        Bank_Brightness_Set_U1(i);
        Bank_Brightness_Set_U2(i);
        delay_ms(5);
    }
}

void breath_fresh_Green(void)
{
    Mode_Select_Normal();
    Device_Config1(1,1,1,1,0,0);
    LED_CONFIG0(1,1,1,1,1,1,1,1);//Bank control set, every LED in BANK
    Bank_Brightness_Set(0);
    Bank_Color_Set(0,255,0);//Bank color R:0 G:255 B:0
    int i;
    for(i=0;i<256;i++)
    {
        Bank_Brightness_Set_U1(i);
        Bank_Brightness_Set_U2(i);
        delay_ms(5);
    }
    for(i=255;i>=0;i--)
    {
        Bank_Brightness_Set_U1(i);
        Bank_Brightness_Set_U2(i);
        delay_ms(5);
    }
}

void breath_fresh_Blue(void)
{
    Mode_Select_Normal();
    Device_Config1(1,1,1,1,0,0);
    LED_CONFIG0(1,1,1,1,1,1,1,1);//Bank control set, every LED in BANK
    Bank_Brightness_Set(0);
    Bank_Color_Set(0,0,255);//Bank color R:200 G:0 B:0
    int i;
    for(i=0;i<256;i++)
    {
        Bank_Brightness_Set_U1(i);
        Bank_Brightness_Set_U2(i);
        delay_ms(5);
    }
    for(i=255;i>=0;i--)
    {
        Bank_Brightness_Set_U1(i);
        Bank_Brightness_Set_U2(i);
        delay_ms(5);
    }
}

void breath_fresh_Yellow(void)
{
    Mode_Select_Normal();
    Device_Config1(1,1,1,1,0,0);
    LED_CONFIG0(1,1,1,1,1,1,1,1);//Bank control set, every LED in BANK
    Bank_Brightness_Set(0);

```

```

    Bank_Color_Set(255,255,0);//Bank color R:255 G:255 B:0
    int i;
    for(i=0;i<256;i++)
    {
        Bank_Brightness_Set_U1(i);
        Bank_Brightness_Set_U2(i);
        delay_ms(5);
    }
    for(i=255;i>=0;i--)
    {
        Bank_Brightness_Set_U1(i);
        Bank_Brightness_Set_U2(i);
        delay_ms(5);
    }
}

void breath_fresh_Pink(void)
{
    Mode_Select_Normal();
    Device_Config1(1,1,1,1,0,0);
    LED_CONFIG0(1,1,1,1,1,1,1,1);//Bank control set, every LED in BANK
    Bank_Brightness_Set(0);
    Bank_Color_Set(255,0,255);//Bank color R:200 G:0 B:0
    int i;
    for(i=0;i<256;i++)
    {
        Bank_Brightness_Set_U1(i);
        Bank_Brightness_Set_U2(i);
        delay_ms(5);
    }
    for(i=255;i>=0;i--)
    {
        Bank_Brightness_Set_U1(i);
        Bank_Brightness_Set_U2(i);
        delay_ms(5);
    }
}

void breath_fresh_Teal(void)
{
    Mode_Select_Normal();
    Device_Config1(1,1,1,1,0,0);
    LED_CONFIG0(1,1,1,1,1,1,1,1);//Bank control set, every LED in BANK
    Bank_Brightness_Set(0);
    Bank_Color_Set(0,255,255);//Bank color R:200 G:0 B:0
    int i;
    for(i=0;i<256;i++)
    {
        Bank_Brightness_Set_U1(i);
        Bank_Brightness_Set_U2(i);
        delay_ms(5);
    }
    for(i=255;i>=0;i--)
    {
        Bank_Brightness_Set_U1(i);
        Bank_Brightness_Set_U2(i);
        delay_ms(5);
    }
}

void breath_fresh_White(void)
{
    Mode_Select_Normal();
    Device_Config1(1,1,1,1,0,0);
    LED_CONFIG0(1,1,1,1,1,1,1,1);//Bank control set, every LED in BANK
    Bank_Brightness_Set(0);

```

```

    Bank_Color_Set(255,255,255);//Bank color R:255 G:255 B:255
    int i;
    for(i=0;i<256;i++)
    {
        Bank_Brightness_Set_U1(i);
        Bank_Brightness_Set_U2(i);
        delay_ms(5);
    }
    for(i=255;i>=0;i--)
    {
        Bank_Brightness_Set_U1(i);
        Bank_Brightness_Set_U2(i);
        delay_ms(5);
    }
}

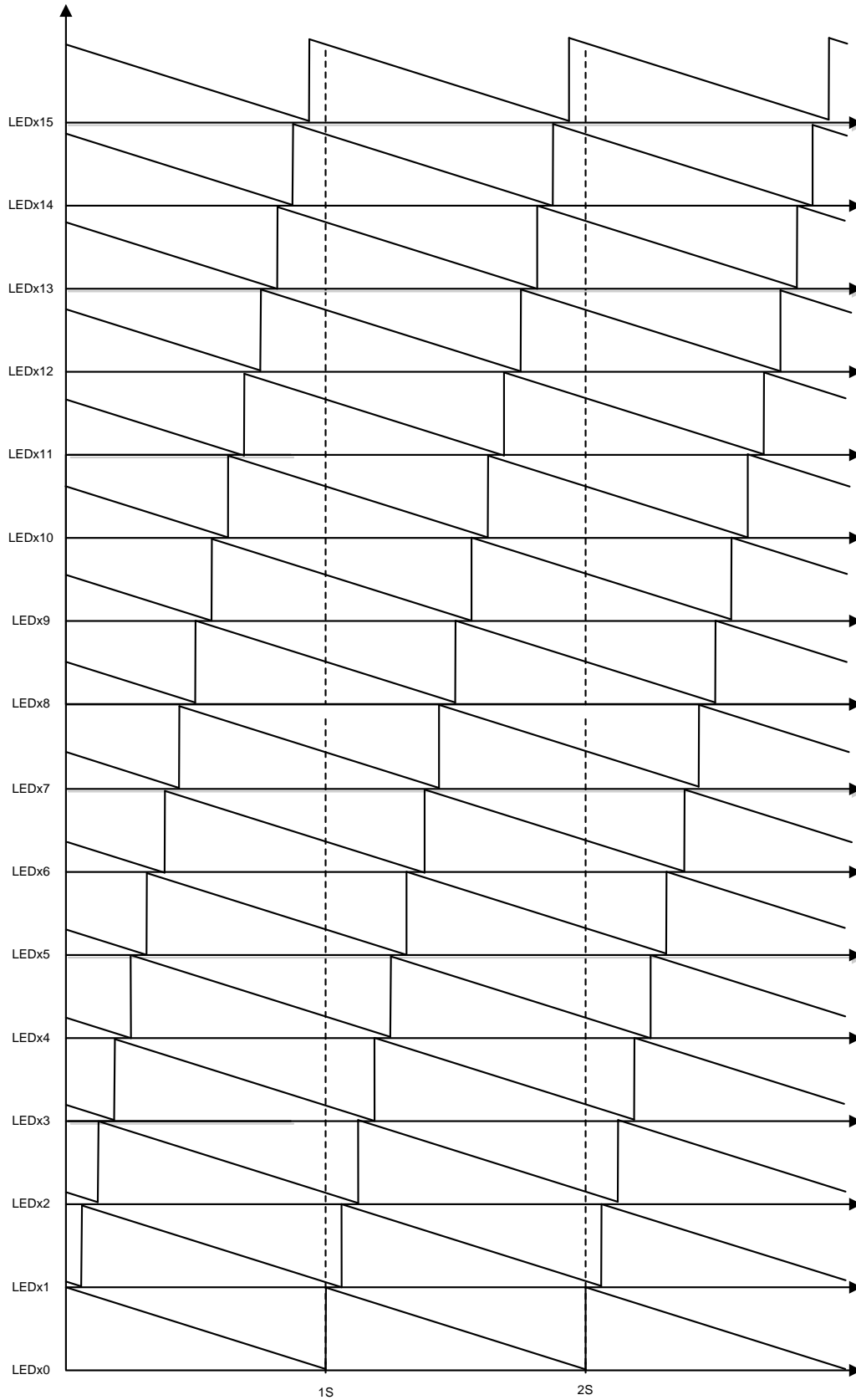
void breath_fresh_BreathingWithCorlorChanging(void)
{
    Mode_Select_Normal();
    Device_Config1(1,1,1,1,0,0);
    LED_CONFIG0(1,1,1,1,1,1,1,1);//Bank control set, every LED in BANK
    Bank_Brightness_Set(255);
    //Bank_Color_Set(200,0,0);//Bank color R:200 G:0 B:0
    int i;
    for(i=0;i<201;i++)
    {
        Bank_Color_Set(0,0,i);
        delay_ms(5);
    }
    for(i=0;i<256;i++)
    {
        Bank_Color_Set(0,i,201);
        delay_ms(5);
    }
    for(i=255;i>0;i--)
    {
        Bank_Color_Set(0,i,201);
        delay_ms(5);
    }

    for(i=0;i<256;i++)
    {
        Bank_Color_Set(i,0,201);
        delay_ms(5);
    }
    for(i=255;i>0;i--)
    {
        Bank_Color_Set(i,0,201);
        delay_ms(5);
    }
    for(i=200;i>0;i--)
    {
        Bank_Color_Set(0,0,i);
        delay_ms(5);
    }
}

```

2.4.6.2 Chasing 1

图 7. LED Current Waveform of Single Color Chasing



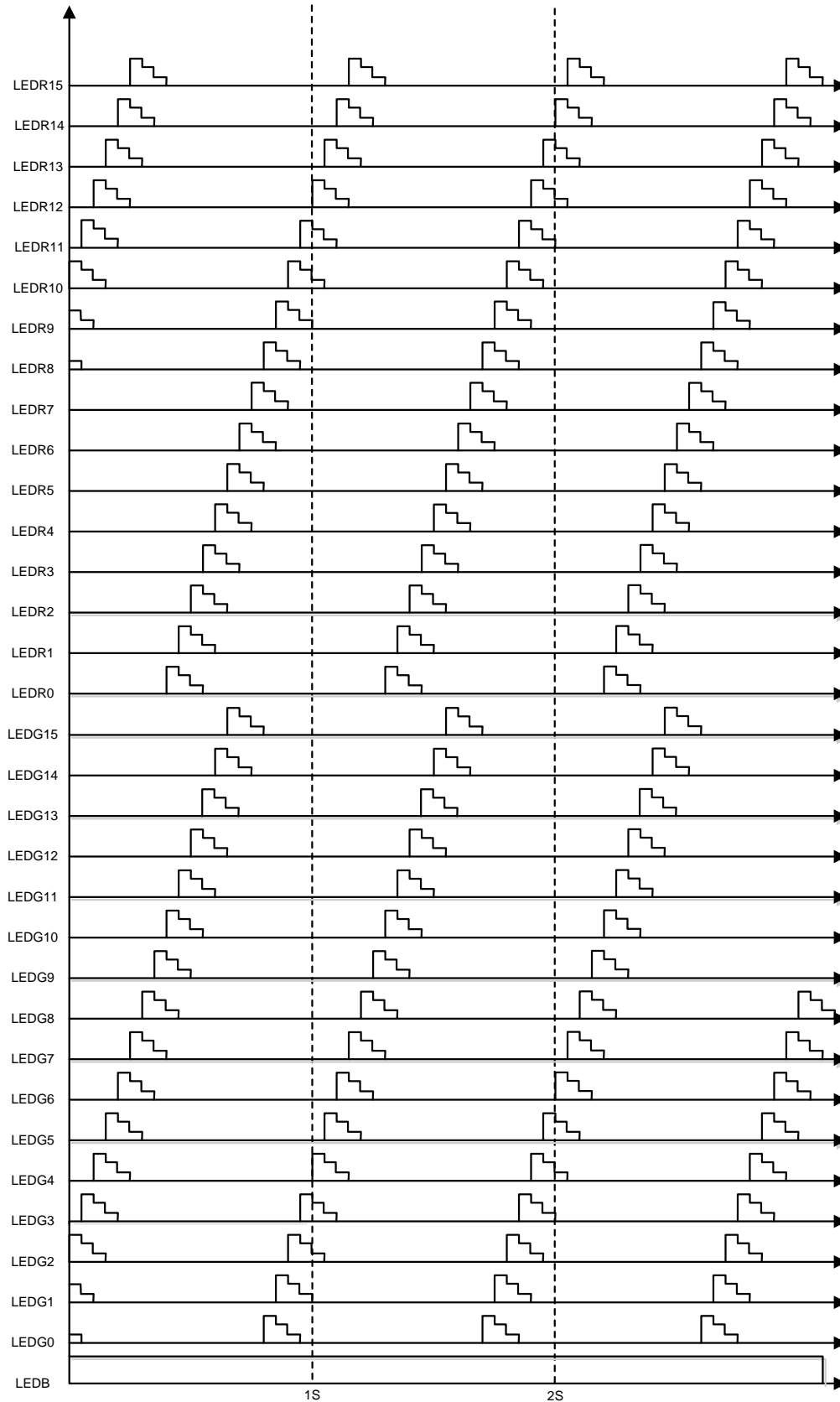
The sample code for the chasing effect is as follows:

```

void ChasingEffectFade_Red(void)
{
    //Mode_Select_Normal();
    //Device_Config1(1,1,1,1,0,0);
    int i;
    for(i=0;i<16;i++)
    {
        LED_Color_Set(i%16,6*(i%16),0,0);
        LED_Color_Set((i+1)%16,8*(i%16),0,0);
        LED_Color_Set((i+2)%16,10*(i%16),0,0);
        LED_Color_Set((i+3)%16,12*(i%16),0,0);
        LED_Color_Set((i+4)%16,14*(i%16),0,0);
        LED_Color_Set((i+5)%16,16*(i%16),0,0);
        LED_Color_Set((i+6)%16,0,0,0);
        LED_Color_Set((i+7)%16,0,0,0);
        LED_Color_Set((i+8)%16,6*(i%16),0,0);
        LED_Color_Set((i+9)%16,8*(i%16),0,0);
        LED_Color_Set((i+10)%16,10*(i%16),0,0);
        LED_Color_Set((i+11)%16,12*(i%16),0,0);
        LED_Color_Set((i+12)%16,14*(i%16),0,0);
        LED_Color_Set((i+13)%16,16*(i%16),0,0);
        LED_Color_Set((i+14)%16,0,0,0);
        LED_Color_Set((i+15)%16,0,0,0);
        delay_ms(32);
    }
    for(i=15;i>=0;i--)
    {
        LED_Color_Set(i%16,6*(i%16),0,0);
        LED_Color_Set((i+1)%16,8*(i%16),0,0);
        LED_Color_Set((i+2)%16,10*(i%16),0,0);
        LED_Color_Set((i+3)%16,12*(i%16),0,0);
        LED_Color_Set((i+4)%16,14*(i%16),0,0);
        LED_Color_Set((i+5)%16,16*(i%16),0,0);
        LED_Color_Set((i+6)%16,0,0,0);
        LED_Color_Set((i+7)%16,0,0,0);
        LED_Color_Set((i+8)%16,6*(i%16),0,0);
        LED_Color_Set((i+9)%16,8*(i%16),0,0);
        LED_Color_Set((i+10)%16,10*(i%16),0,0);
        LED_Color_Set((i+11)%16,12*(i%16),0,0);
        LED_Color_Set((i+12)%16,14*(i%16),0,0);
        LED_Color_Set((i+13)%16,16*(i%16),0,0);
        LED_Color_Set((i+14)%16,0,0,0);
        LED_Color_Set((i+15)%16,0,0,0);
        delay_ms(32);
    }
}
    
```

2.4.6.3 Chasing 2

图 8. LED Current Waveform of Multi Color Chasing



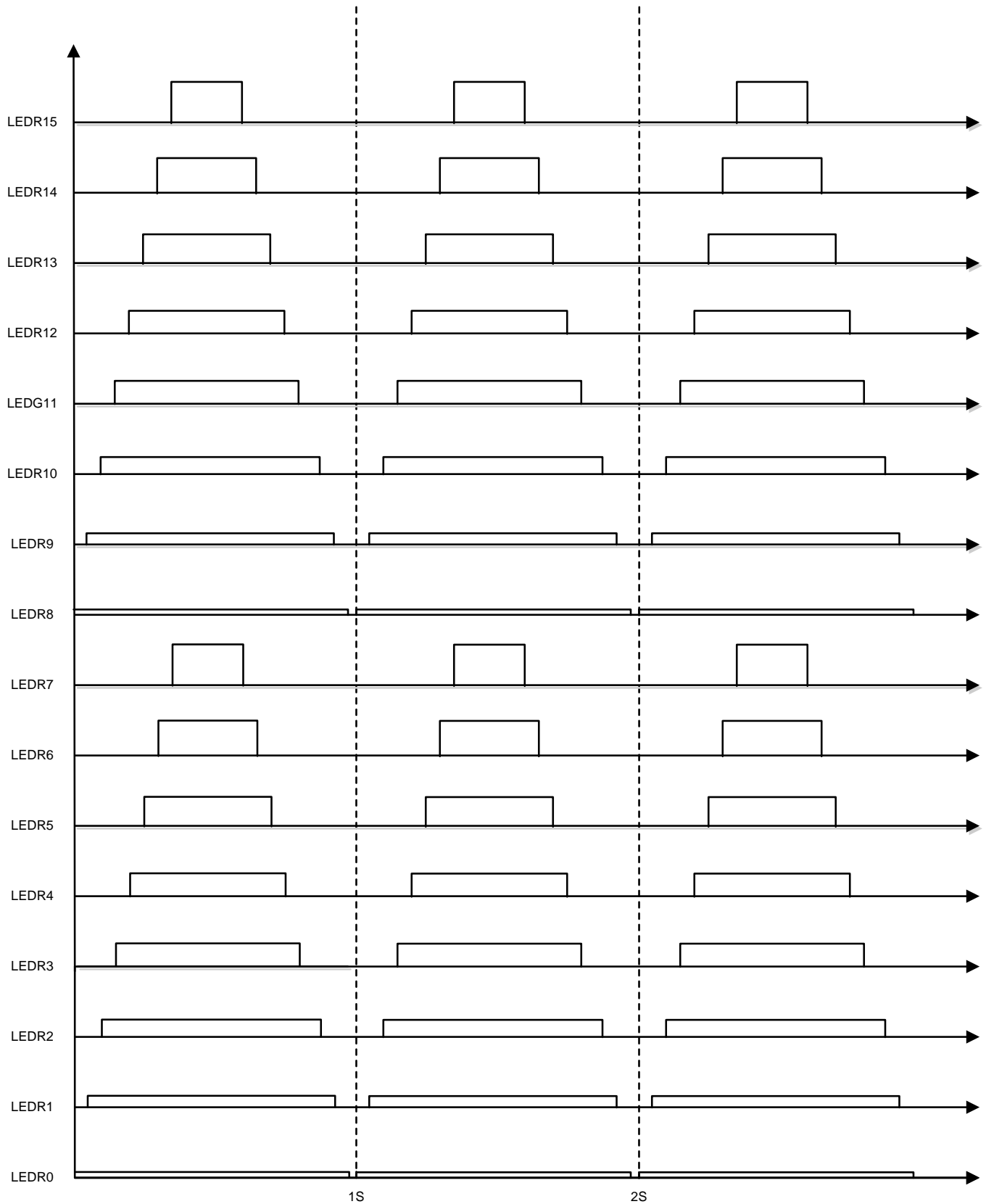
The sample code is as follows:

```

void ChasingEffectFade_Red(void)
{
    //Mode_Select_Normal();
    //Device_Config1(1,1,1,1,0,0);
    int i;
    for(i=0;i<16;i++)
    {
        LED_Color_Set(i%16,6*(i%16),0,0);
        LED_Color_Set((i+1)%16,8*(i%16),0,0);
        LED_Color_Set((i+2)%16,10*(i%16),0,0);
        LED_Color_Set((i+3)%16,12*(i%16),0,0);
        LED_Color_Set((i+4)%16,14*(i%16),0,0);
        LED_Color_Set((i+5)%16,16*(i%16),0,0);
        LED_Color_Set((i+6)%16,0,0,0);
        LED_Color_Set((i+7)%16,0,0,0);
        LED_Color_Set((i+8)%16,6*(i%16),0,0);
        LED_Color_Set((i+9)%16,8*(i%16),0,0);
        LED_Color_Set((i+10)%16,10*(i%16),0,0);
        LED_Color_Set((i+11)%16,12*(i%16),0,0);
        LED_Color_Set((i+12)%16,14*(i%16),0,0);
        LED_Color_Set((i+13)%16,16*(i%16),0,0);
        LED_Color_Set((i+14)%16,0,0,0);
        LED_Color_Set((i+15)%16,0,0,0);
        delay_ms(32);
    }
    for(i=15;i>=0;i--)
    {
        LED_Color_Set(i%16,6*(i%16),0,0);
        LED_Color_Set((i+1)%16,8*(i%16),0,0);
        LED_Color_Set((i+2)%16,10*(i%16),0,0);
        LED_Color_Set((i+3)%16,12*(i%16),0,0);
        LED_Color_Set((i+4)%16,14*(i%16),0,0);
        LED_Color_Set((i+5)%16,16*(i%16),0,0);
        LED_Color_Set((i+6)%16,0,0,0);
        LED_Color_Set((i+7)%16,0,0,0);
        LED_Color_Set((i+8)%16,6*(i%16),0,0);
        LED_Color_Set((i+9)%16,8*(i%16),0,0);
        LED_Color_Set((i+10)%16,10*(i%16),0,0);
        LED_Color_Set((i+11)%16,12*(i%16),0,0);
        LED_Color_Set((i+12)%16,14*(i%16),0,0);
        LED_Color_Set((i+13)%16,16*(i%16),0,0);
        LED_Color_Set((i+14)%16,0,0,0);
        LED_Color_Set((i+15)%16,0,0,0);
        delay_ms(32);
    }
}
    
```

2.4.6.4 Chasing 3

图 9. Current Wave of Custom Chasing

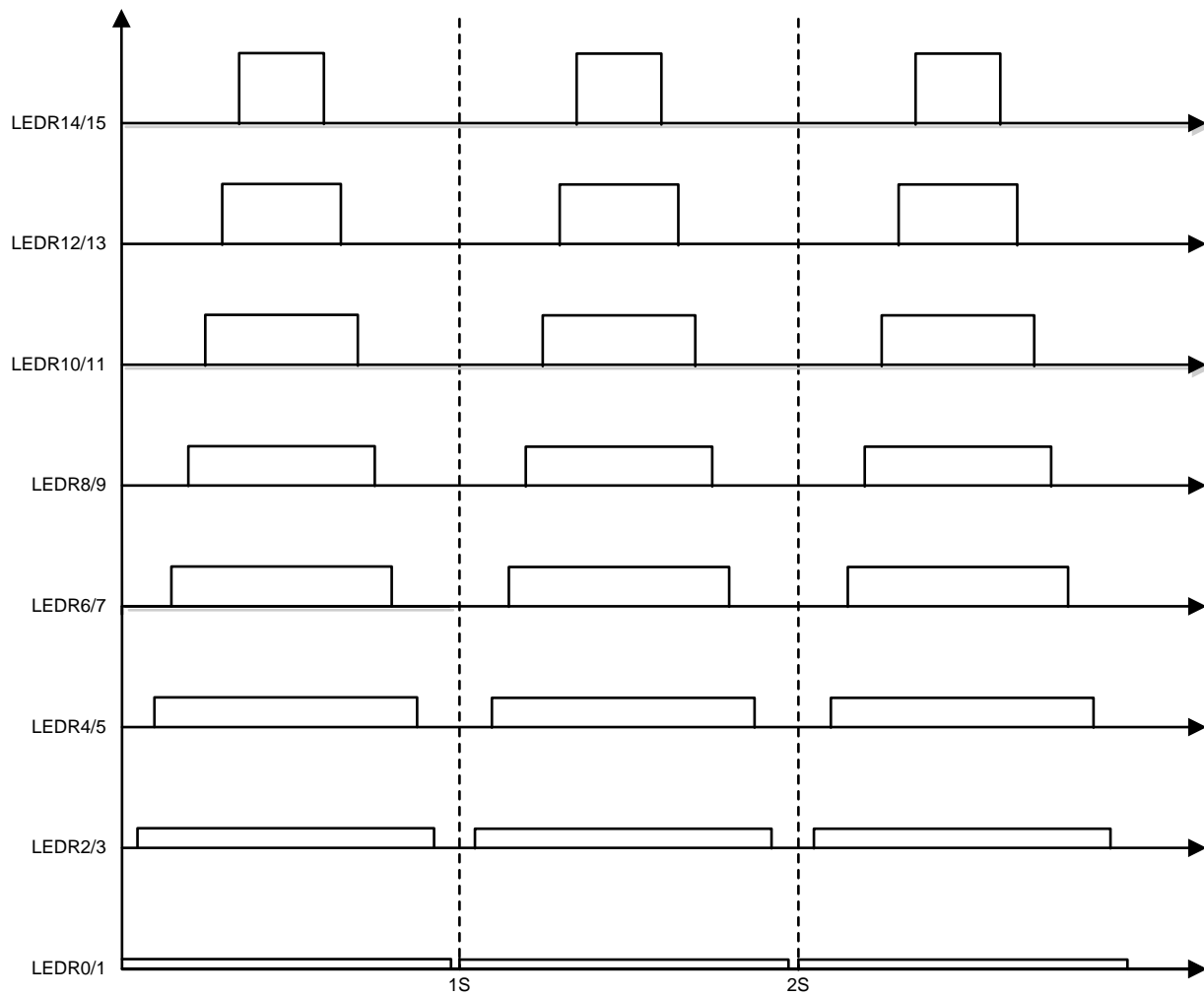


The sample code is as follows:

```
void ChasingEffect_Custom(void)
{
    //Mode_Select_Normal();
    //Device_Config1(1,1,1,1,0,0);
    int i;
    for(i=0;i<16;i++)
    {
        LED_Color_Set(i%16,103,103,0);
        LED_Color_Set((i+1)%16,193,193,0);
        LED_Color_Set((i+2)%16,233,233,0);
        LED_Color_Set((i+3)%16,0,0,200);
        LED_Color_Set((i+4)%16,0,0,200);
        LED_Color_Set((i+5)%16,0,0,200);
        LED_Color_Set((i+6)%16,0,0,200);
        LED_Color_Set((i+7)%16,0,0,200);
        LED_Color_Set((i+8)%16,0,70,12);
        LED_Color_Set((i+9)%16,0,121,25);
        LED_Color_Set((i+10)%16,0,252,50);
        LED_Color_Set((i+11)%16,0,0,200);
        LED_Color_Set((i+12)%16,0,0,200);
        LED_Color_Set((i+13)%16,0,0,200);
        LED_Color_Set((i+14)%16,0,0,200);
        LED_Color_Set((i+15)%16,0,0,200);
        delay_ms(30);
    }
}
```

2.4.6.5 Water Drop

图 10. Current Wave of Water Drop

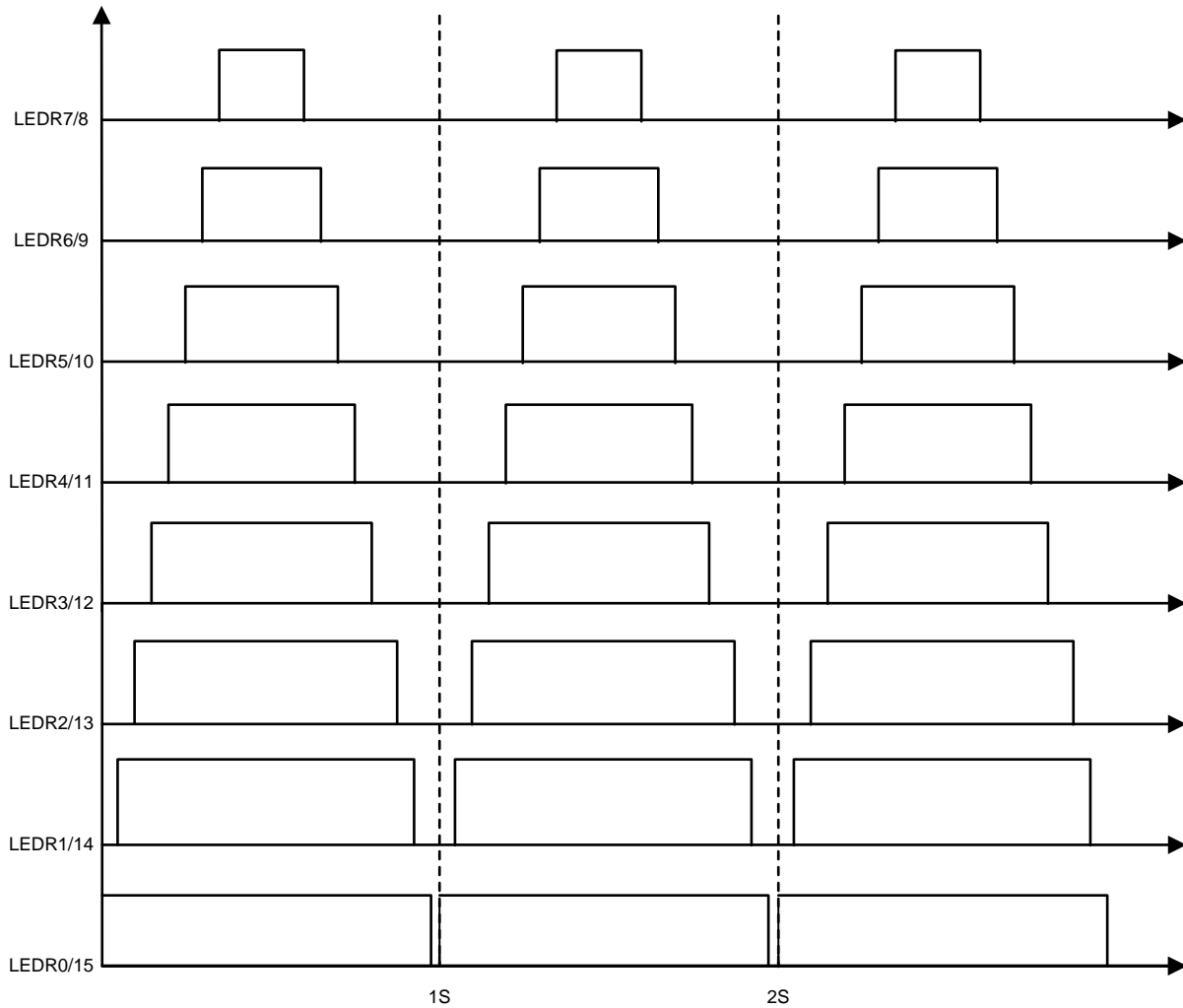


The sample code is as follows:

```
void Drop_effect_Red(void)
{
    //Mode_Select_Normal();
    //Device_Config1(1,1,1,1,0,0);
    int i;
    for (i=0;i<16;i++)
    {
        LED_Color_Set(i,(i+1)*16-1,0,0);
        delay_ms(32);
    }
    for(i=15;i>=0;i--)
    {
        LED_Color_Set(i,0,0,0);
        delay_ms(32);
    }
}
```

2.4.6.6 Others

图 11. Current Wave of Call



The sample code is as follows:

```
void Call_Effect(void)
{
    //Mode_Select_Normal();
    //Device_Config1(1,1,1,1,0,0);
    int i;
    for(i=0;i<8;i++)
    {
        LED_Color_Set(i,0,250,0);
        LED_Color_Set(15-i,0,250,0);
        delay_ms(32);
    }
    delay_ms(80);
    for(i=7;i>=0;i--)
    {
        LED_Color_Set(i,0,0,0);
        LED_Color_Set(15-i,0,0,0);
        delay_ms(32);
    }
    delay_ms(80);
}
```

3 Hardware, Software, Testing Requirements, and Test Results

3.1 Required Hardware and Software

3.1.1 Hardware

The following hardware is required for the testing:

- A personal computer with Windows® OS
- A 3.3-V dc power supply
- An MSP432 LaunchPad

3.1.2 Test Setup

After downloading the firmware from the TIDA-050011 product folder, connect a 3.3-V dc supply to the LED board input connector. Next, use the USB port to load the firmware to the MSP432 LaunchPad development kit through the Code Composer Studio integrated development environment (IDE). The LED driver and LED load boards can then run the pattern.

3.1.3 Test Results

All the effects are shown as expected.

4 Design Files

4.1 Schematics

To download the schematics, see the design files at [TIDA-50011](#).

4.2 Bill of Materials

To download the bill of materials (BOM), see the design files at [TIDA-50011](#).

4.3 PCB Layout Recommendations

- Place the decoupling capacitor near the VCC and GND terminals.
- Make the GND traces as wide as possible for large GND currents. The maximum GND current is approximately 1.2 A.
- Route traces between the LED cathode and the device OUTXn pin as short and straight as possible to reduce wire inductance.
- Connect the thermal pad to the GND layer because the thermal pad is internally connected to GND to reduce device temperature.

4.3.1 Layout Prints

To download the layer plots, see the design files at [TIDA-50011](#).

4.4 Altium Project

To download the Altium Designer® project files, see the design files at [TIDA-50011](#).

4.5 Gerber Files

To download the Gerber files, see the design files at [TIDA-50011](#).

4.6 Assembly Drawings

To download the assembly drawings, see the design files at [TIDA-50011](#).

5 Software Files

To download the software files, see the design files at [TIDA-50011](#).

6 Related Documentation

1. Texas Instruments, [LP5024 24-Channel I2C Constant-Current RGB LED Driver](#)
2. Texas Instruments, [MSP432P401R SimpleLink™ Microcontroller LaunchPad™ Development Kit \(MSP-EXP432P401R\) User's Guide](#)
3. Texas Instruments, [Digital Ambient Light Sensor \(ALS\) With High-Precision Human-Eye Response](#)

6.1 商标

E2E, SimpleLink, LaunchPad, BoosterPack are trademarks of Texas Instruments.

Altium Designer is a registered trademark of Altium LLC or its affiliated companies.

Arm, Cortex are registered trademarks of Arm Limited.

Bluetooth is a registered trademark of Bluetooth SIG.

Windows is a registered trademark of Microsoft Corporation.

Wi-Fi is a registered trademark of WiFi Alliance.

All other trademarks are the property of their respective owners.

7 About the Author

XING SU is an application engineer at Texas Instruments for the LED Driver product group.

重要声明和免责声明

TI 均以“原样”提供技术性 & 可靠性数据（包括数据表）、设计资源（包括参考设计）、应用或其他设计建议、网络工具、安全信息和其他资源，不保证其中不含任何瑕疵，且不做任何明示或暗示的担保，包括但不限于对适销性、适合某特定用途或不侵犯任何第三方知识产权的暗示担保。

所述资源可供专业开发人员应用 TI 产品进行设计使用。您将对以下行为独自承担全部责任：(1) 针对您的应用选择合适的 TI 产品；(2) 设计、验证并测试您的应用；(3) 确保您的应用满足相应标准以及任何其他安全、安保或其他要求。所述资源如有变更，恕不另行通知。TI 对您使用所述资源的授权仅限于开发资源所涉及 TI 产品的相关应用。除此之外不得复制或展示所述资源，也不提供其它 TI 或任何第三方的知识产权授权许可。如因使用所述资源而产生任何索赔、赔偿、成本、损失及债务等，TI 对此概不负责，并且您须赔偿由此对 TI 及其代表造成的损害。

TI 所提供产品均受 TI 的销售条款 (<http://www.ti.com.cn/zh-cn/legal/termsofsale.html>) 以及 [ti.com.cn](http://www.ti.com.cn) 上或随附 TI 产品提供的其他可适用条款的约束。TI 提供所述资源并不扩展或以其他方式更改 TI 针对 TI 产品所发布的可适用的担保范围或担保免责声明。

邮寄地址：上海市浦东新区世纪大道 1568 号中建大厦 32 楼，邮政编码：200122
Copyright © 2018 德州仪器半导体技术（上海）有限公司

重要声明和免责声明

TI 均以“原样”提供技术性 & 可靠性数据（包括数据表）、设计资源（包括参考设计）、应用或其他设计建议、网络工具、安全信息和其他资源，不保证其中不含任何瑕疵，且不做任何明示或暗示的担保，包括但不限于对适销性、适合某特定用途或不侵犯任何第三方知识产权的暗示担保。

所述资源可供专业开发人员应用 TI 产品进行设计使用。您将对以下行为独自承担全部责任：(1) 针对您的应用选择合适的 TI 产品；(2) 设计、验证并测试您的应用；(3) 确保您的应用满足相应标准以及任何其他安全、安保或其他要求。所述资源如有变更，恕不另行通知。TI 对您使用所述资源的授权仅限于开发资源所涉及 TI 产品的相关应用。除此之外不得复制或展示所述资源，也不提供其它 TI 或任何第三方的知识产权授权许可。如因使用所述资源而产生任何索赔、赔偿、成本、损失及债务等，TI 对此概不负责，并且您须赔偿由此对 TI 及其代表造成的损害。

TI 所提供产品均受 TI 的销售条款 (<http://www.ti.com.cn/zh-cn/legal/termsofsale.html>) 以及 [ti.com.cn](http://www.ti.com.cn) 上或随附 TI 产品提供的其他可适用条款的约束。TI 提供所述资源并不扩展或以其他方式更改 TI 针对 TI 产品所发布的可适用的担保范围或担保免责声明。

邮寄地址：上海市浦东新区世纪大道 1568 号中建大厦 32 楼，邮政编码：200122
Copyright © 2018 德州仪器半导体技术（上海）有限公司